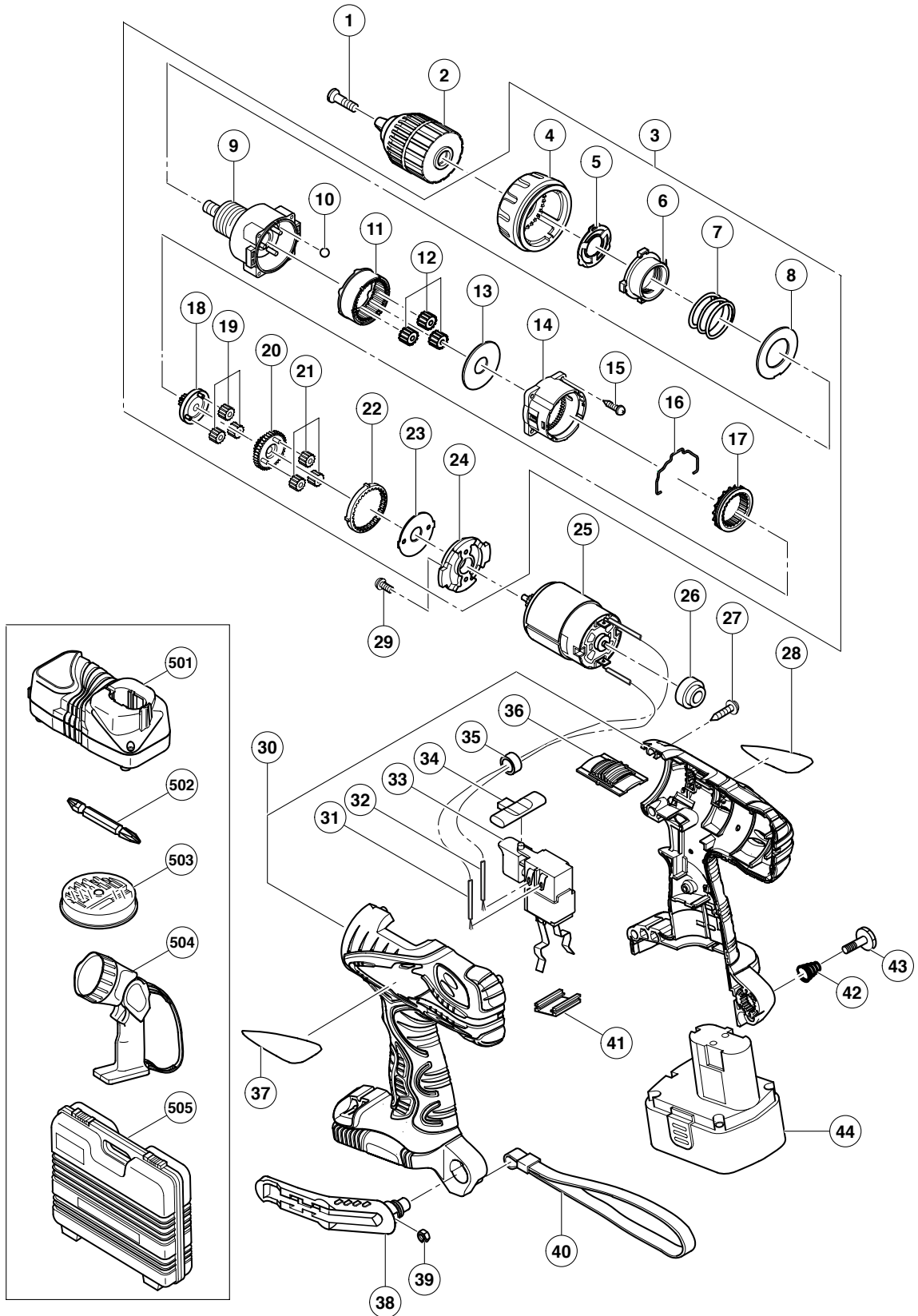


ELECTRIC TOOL PARTS LIST

CORDLESS DRIVER DRILL
Model DS 14DVF3

2005 · 4 · 10
(E1)



PARTS

DS 14DVF3

ITEM NO.	CODE NO.	DESCRIPTION	NO. USED	REMARKS
1	324-503	SPECIAL SCREW (LEFT HAND) (B) M6X23	1	
2	322-167	DRILL CHUCK 10VLR-F-N (W/O CHUCK WRENCH)	1	
3	324-490	GEAR BOX ASS'Y	1	INCLUD. 4-24
4	324-114	CLUTCH DIAL	1	
5	324-108	CLICK SPRING	1	
6	324-109	NUT	1	
7	324-110	SPRING	1	
8	324-347	WASHER (D)	1	
9	324-491	FRONT CASE	1	
10	306-936	STEEL BALL D5	6	
11	324-111	RING GEAR	1	
12	324-348	PLANET GEAR (C) SET (3 PCS.)	3	
13	324-349	WASHER (A)	1	
14	324-501	REAR CASE	1	
15	324-357	SCREW SET D3X12 (4 PCS.)	4	
16	324-115	SHIFT ARM	1	
17	324-351	SLIDE RING GEAR	1	
18	324-112	PINION (C)	1	
19	324-352	PLANET GEAR (B) SET (3 PCS.)	3	
20	324-492	PINION (B)	1	
21	324-494	PLANET GEAR (A) SET (3 PCS.)	3	
22	324-493	FIRST RING GEAR	1	
23	324-355	WASHER (B)	1	
24	324-495	MOTOR SPACER	1	
25	324-483	MOTOR	1	
26	324-485	SPACER	1	
27	313-687	TAPPING SCREW (W/FLANGE) D3X16 (BLACK)	8	
28		NAME PLATE	1	
29	317-333	MACHINE SCREW (W/SP. WASHER) M4X6	2	
30	324-482	HOUSING (A).(B) SET	1	
31	324-484	INTERNAL WIRE (BLACK) 90L	1	
32	324-499	INTERNAL WIRE (RED) 140L	1	
33	324-498	DC-SPEED CONTROL SWITCH	1	
34	324-117	PUSHING BUTTON	1	
* 35	323-229	FERRITE CORE	1	FOR EUROPE
36	324-116	SHIFT KNOB	1	
37		HITACHI LABEL	1	
38	320-287	HOOK ASS'Y	1	INCLUD. 39
39	320-288	V-LOCK NUT M5	1	
40	306-952	STRAP (BLACK)	1	
41	315-141	TERMINAL SUPPORT (A)	1	
42	319-926	HOOK SPRING	1	
43	320-881	SPECIAL SCREW (A) M5	1	
* 44	322-633	BATTERY EB 1414S (W/ENGLISH N.P.)	2	
* 44	324-367	BATTERY EB 1414S (W/ENGLISH N.P.)	2	FOR USA, CAN

