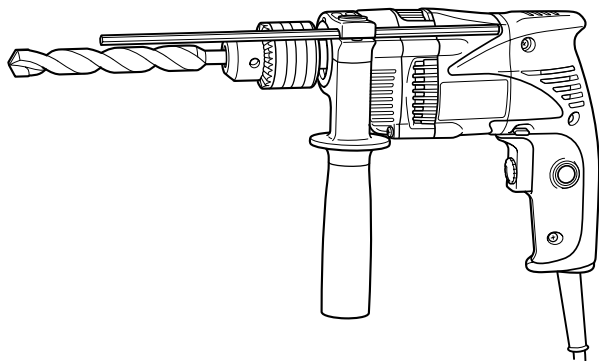


HITACHI

Impact Drill
Schlagbohrmaschine
Κρουστικό δραπανο
Wiertarka Udarowa
Ütvefúrógép
Příklepová vrtačka
Darbeli Matkap
Ударная дрель

DV 16V



Read through carefully and understand these instructions before use.

Diese Anleitung vor Benutzung des Werkzeugs sorgfältig durchlesen und verstehen.

Διαβάστε προσεκτικά και κατανοήστε αυτές τις οδηγίες πριν τη χρήση.

Przed użytkowaniem należy dokładnie przeczytać niniejszą instrukcję i zrozumieć jej treść.

Használat előtt olvassa el figyelmesen a használati utasítást.

Před použitím si pečlivě přečtěte tento návod a ujistěte se, že mu dobře rozumíte.

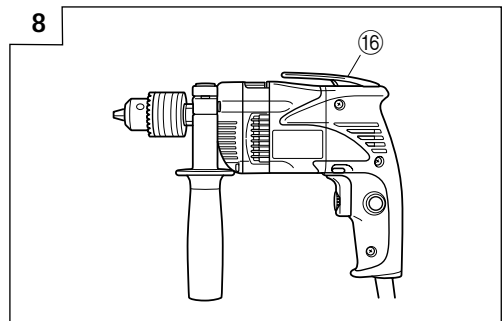
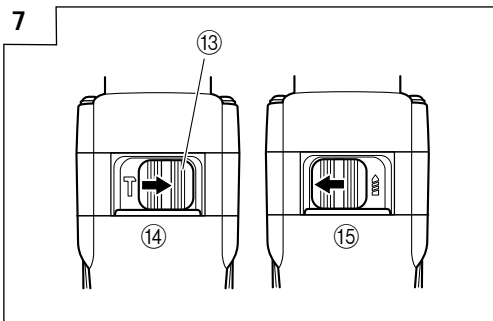
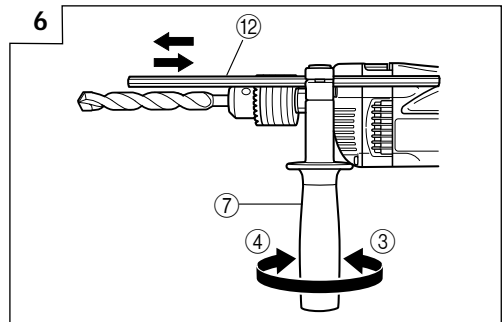
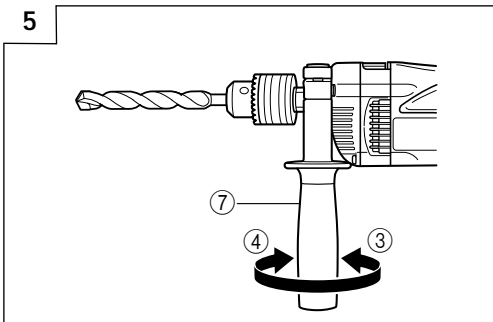
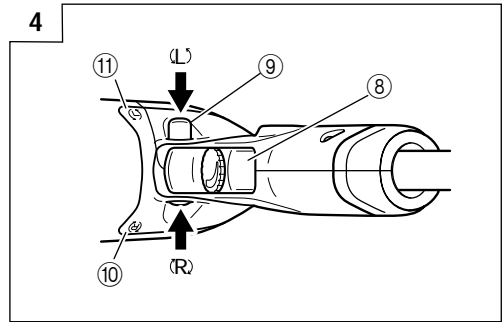
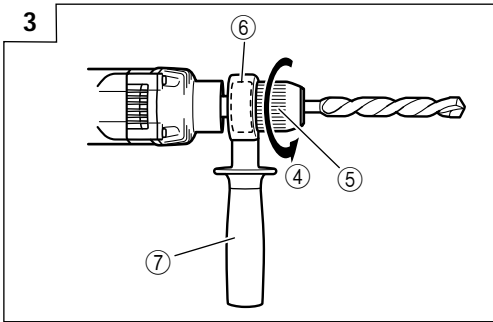
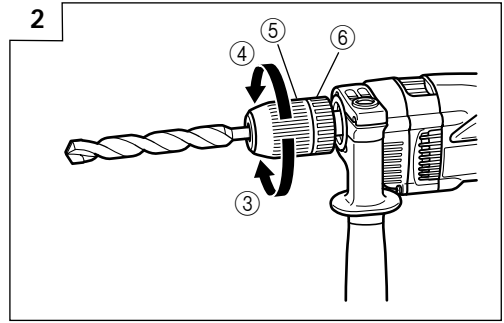
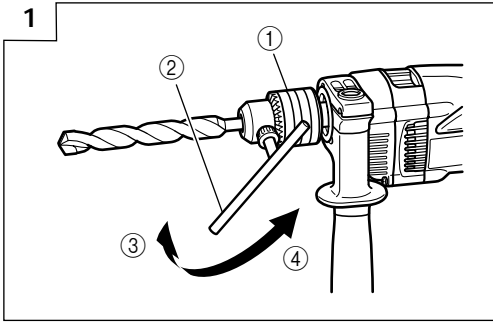
Aleti kullanmadan önce bu kılavuza iyice okuyun ve talimatları anlayın.

Внимательно прочтите данную инструкцию по эксплуатации прежде чем пользоваться инструментом.

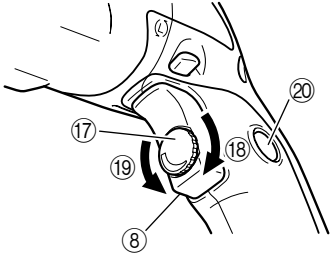


Handling instructions
Bedienungsanleitung
Οδηγίες χειρισμού
Instrukcja obsługi
Kezelési utasítás
Návod k obsluze
Kullanım talimatları
Инструкция по эксплуатации

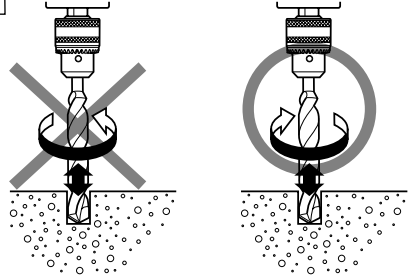
Hitachi Koki



9



10



	English	Deutsch	Ελληνικά	Polski
①	Drill chuck	Bohrfutter	Σφικτήρας δραπάνου	Uchwyt wiertarski
②	Chuck wrench	Futterschlüssel	Κλειδί σφικτήρα	Klucz do uchwyty wiertarskiego
③	Tighten	Anziehen	Σφίξτε	Dokręcanie
④	Loosen	Lösen	Χαλαρώστε	Luzowanie
⑤	Sleeve	Manschette	Συνδετικός δακτύλιος	Tuleja
⑥	Ring	Ring	Δακτύλιος	Pierścień
⑦	Side handle	Seitengriff	Πλευρική λαβή	Uchwyt boczny
⑧	Switch trigger	Abzugschalter	Σκανδάλη διακόπτης	Spust włącznika
⑨	Push button	Druckknopf	Κουμπί ώθησης	Przycisk
⑩	(R) mark	Markierung (R)	(R) σημάδι	Symbol (R)
⑪	(L) mark	Markierung (L)	(L) σημάδι	Symbol (L)
⑫	Depth gauge	Tiefenlehre	Μετρητής βάθους	Ogranicznik głębokości
⑬	Change lever	Umschalthebel	Μοχλός αλλαγής	Dźwignia przełącznika
⑭	Impact	Schlagbohre	Κρούση	Uderzenia
⑮	Rotation	Bohren	Περιστροφή	Obrotы
⑯	Hook (A)	Haken (A)	Γάντζος (A)	Haczyk (A)
⑰	Speed control dial	Drehzahlskala	Καντράν ελέγχου ταχύτητας	Pokrętło kontroli prędkości
⑱	High speed	Hohe Drehzahl	Υψηλή ταχύτητα	Duża prędkość
⑲	Low speed	Niedrige Drehzahl	Χαμηλή ταχύτητα	Mała prędkość
⑳	Stopper	Stopper	Στόπερ	Zatyczka

	Magyar	Čeština	Türkçe	Русский
①	Fúrótkmány	Skličidlo	Matkap mandreni	Патрон дрели
②	Tokmánykulcs	Klíč skličidla	Mandren anahtarı	Ключ патрона
③	Megszorítani	Utažení	Sıkıştırma	Затянуть
④	Kiengedni	Povolení	Gevşetme	Ослабить
⑤	Karmantyú	Objímka	Manşon	Гильза
⑥	Gyűrű	Kroužek	Halka	Кольцо
⑦	Oldalfogantyú	Boční držadlo	Yan kol	Боковая рукоятка
⑧	Kapcsoló	Spoušť	Anahtar tetiği	Переключатель
⑨	Nyomógomb	Tlačítko	İtme düğmesi	Кнопка
⑩	(R) - jobbra forgásirány-jelölés	Znak pravého chodu (R)	(R) işaretleri	Знак (R) – влево
⑪	(L) - jobbra forgásirány-jelölés	Znak levého chodu (L)	(L) işaretleri	Знак (L) – влево
⑫	Mélyésgmérő	Měřítko hloubky	Derinlik ölçme aleti	Ограничитель глубины
⑬	Üzem mód váltó	Přepínač	Değiştirme kolu	Регулировочный рычаг
⑭	Terhelés	Příklep	Darbe	Удар
⑮	Forgás	Rotace	Devir	Вращение
⑯	Akasztó (A)	Hák (A)	Askı (A)	Крючок (A)
⑰	Fordulatszám szabályzó	Číselník volby rychlosti	Hız kontrol düğmesi	Диск регулировки скорости
⑱	Magas fordulatszám	Vysoká rychlost	Yüksek hız	Высокая скорость
⑲	Alacsony fordulatszám	Nizká rychlost	Düşük hız	Низкая скорость
⑳	Ütköző	Zarážka	Derinlik mesnedi	Стопор

GENERAL OPERATIONAL PRECAUTIONS

WARNING! When using electric tools, basic safety precautions should always be followed to reduce the risk of fire, electric shock and personal injury, including the following.

Read all these instructions before operating this product and save these instructions.

For safe operations:

1. Keep work area clean. Cluttered areas and benches invite injuries.
2. Consider work area environment. Do not expose power tools to rain. Do not use power tools in damp or wet locations. Keep work area well lit. Do not use power tools where there is risk to cause fire or explosion.
3. Guard against electric shock. Avoid body contact with earthed or grounded surfaces. (e.g. pipes, radiators, ranges, refrigerators).
4. Keep children and infirm persons away. Do not let visitors touch the tool or extension cord. All visitors should be kept away from work area.
5. Store idle tools. When not in use, tools should be stored in a dry, high or locked up place, out of reach of children and infirm persons.
6. Do not force the tool. It will do the job better and safer at the rate for which it was intended.
7. Use the right tool. Do not force small tools or attachments to do the job of a heavy duty tool. Do not use tools for purposes not intended; for example, do not use circular saw to cut tree limbs or logs.
8. Dress properly. Do not wear loose clothing or jewelry, they can be caught in moving parts. Rubber gloves and non-skid footwear are recommended when working outdoors. Wear protecting hair covering to contain long hair.
9. Use eye protection. Also use face or dust mask if the cutting operation is dusty.
10. Connect dust extraction equipment. If devices are provided for the connection of dust extraction and collection facilities ensure these are connected and properly used.
11. Do not abuse the cord. Never carry the tool by the cord or yank it to disconnect it from the receptacle. Keep the cord away from heat, oil and sharp edges.
12. Secure work. Use clamps or a vise to hold the work. It is safer than using your hand and it frees both hands to operate tool.
13. Do not overreach. Keep proper footing and balance at all times.
14. Maintain tools with care. Keep cutting tools sharp and clean for better and safer performance. Follow instructions for lubrication and changing accessories. Inspect tool cords periodically and if damaged, have it repaired by authorized service center. Inspect extension cords periodically and replace, if damaged. Keep handles dry, clean, and free from oil and grease.
15. Disconnect tools. When not in use, before servicing, and when changing accessories such as blades, bits and cutters.
16. Remove adjusting keys and wrenches. Form the habit of checking to see that keys and adjusting wrenches are removed from the tool before turning it on.

17. Avoid unintentional starting. Do not carry a plugged-in tool with a finger on the switch. Ensure switch is off when plugging in.
18. Use outdoor extension leads. When tool is used outdoors, use only extension cords intended for outdoor use.
19. Stay alert. Watch what you are doing. Use common sense. Do not operate tool when you are tired.
20. Check damaged parts. Before further use of the tool, a guard or other part that is damaged should be carefully checked to determine that it will operate properly and perform its intended function. Check for alignment of moving parts, free running of moving parts, breakage of parts, mounting and any other conditions that may affect its operation. A guard or other part that is damaged should be properly repaired or replaced by an authorized service center unless otherwise indicated in this handling instructions. Have defective switches replaced by an authorized service center. Do not use the tool if the switch does not turn it on and off.
21. Warning
The use of any accessory or attachment, other than those recommended in this handling instructions, may present a risk of personal injury.
22. Have your tool repaired by a qualified person.
This electric tool is in accordance with the relevant safety requirements. Repairs should only be carried out by qualified persons using original spare parts. Otherwise this may result in considerable danger to the user.

PRECAUTIONS ON USING IMPACT DRILL

1. Before drilling into walls, ceilings or floors, ensure that there are no concealed power cables inside.
2. When boring concrete or similar hard materials in IMPACT mode, push the R-side of the push button (Fig. 10).

SPECIFICATIONS

Voltage (by areas)*	(110V, 220V, 230V, 240V) ~	
Power input	590 W*	
No load speed	0–2900 min ⁻¹	
Drill chuck capacity	13 mm	
Capacity	Steel	13 mm
	Concrete	16 mm
	Wood	25 mm
Full load impact rate	34500 min ⁻¹	
Weight (without cord)	1.5 kg	

*Be sure to check the nameplate on product as it is subject to change by areas.

STANDARD ACCESSORIES

- (1) Chuck Wrench (Spec. only for chuck fitted with chuck wrench) 1
 (2) Side Handle 1
 (3) Depth Gauge 1
 (4) Plastic case 1
 Standard accessories are subject to change without notice.

OPTIONAL ACCESSORIES (sold separately)

- (1) Impact Drill Bit (for concrete)
 3.2 mm – 20 mm dia.
 (2) Hook (A)
 Optional accessories are subject to change without notice.

APPLICATIONS

- By combined actions of ROTATION and IMPACT:
 Boring holes in hard materials (concrete, marble, granite, tiles, etc.)
- By ROTATIONAL action:
 Boring holes in metal, wood and plastic.

PRIOR TO OPERATION

1. **Power source**
 Ensure that the power source to be utilized conforms to the power requirements specified on the product nameplate.
2. **Power switch**
 Ensure that the power switch is in the OFF position. If the plug is connected to a receptacle while the power switch is in the ON position, the power tool will start operating immediately, inviting serious accident.
3. **Extension cord**
 When the work area is removed from the power source. Use an extension cord of sufficient thickness and rated capacity. The extension cord should be kept as short as practicable.

4. Selecting the appropriate drill bit

- When boring concrete or stone
 Use the drill bits specified in the Optional Accessories.
- When boring metal or plastic
 Use an ordinary metalworking drill bit.
- When boring wood
 Use an ordinary woodworking drill bit.
 However, when drilling 6.5 mm or smaller holes, use a metalworking drill bit.

5. Mounting and dismounting of the bit

For Drill chuck with chuck wrench (Fig. 1)

- (1) Open the chuck jaws, and insert the bit into the chuck.
- (2) Place the chuck wrench in each of the three holes in the chuck, and turn it in the clockwise direction (viewed from the front side). Tighten securely.
- (3) To remove the bit, place the chuck wrench into one of the holes in the chuck and turn it in the counterclockwise direction.

For keyless chuck (Fig. 2)

- (1) Open the chuck jaws, and insert the bit into the chuck.
 To open the chuck jaws, hold the ring while turning the sleeve in the counterclockwise direction (viewed from the front side).
- (2) Firmly grasp the ring and turn the sleeve in the clockwise direction. Tighten securely.
- (3) To remove the bit, firmly grasp the ring and turn the sleeve in the counterclockwise direction.
- (4) When the sleeve does not become loose any further, fix the side handle to retaining ring, hold side handle firmly, then turn the sleeve to loosen by hand (Fig. 3).
6. **Check the rotational direction (Fig. 4)**
 The bit rotates clockwise (viewed from the rear side) by pushing the R-side of the push button.
 The L-side of the push button is pushed to turn the bit counterclockwise.
 (The (L) and (R) marks are provided on the body.)

CAUTION

Always use the impact drill with clockwise rotation, when using it as an impact drill.

7. Fixing the side handle (Fig. 5)

Attach the side handle to the mounting part.
Rotate the side handle grip in a clockwise direction to secure it.

Set the side handle to a position that is suited to the operation and then securely tighten the side handle grip.

To attach a depth gauge on the side handle, insert the gauge into the U-shaped groove on the side handle, adjust the position of the depth gauge in accordance with the desired depth of the hole, and firmly tighten the side handle grip (Fig. 6).

8. IMPACT to ROTATION changeover (Fig. 7)

Shift the change lever between the right and left positions to switch easily between IMPACT (rotation and impact) and ROTATION (rotation only), respectively.

To bore holes in hard materials such as concrete, stone and tiles, shift the change lever to the right-hand position (as indicated by the **T** mark).

The drill bit operates by the combined actions of impact and rotation.

To bore holes in metal, wood and plastic, shift the change lever to the left-hand position (as indicated by the **R** mark). The drill bit operates by rotational action only, as in the case of a conventional electric drill.

CAUTION

- Do not use the Impact Drill in the IMPACT function if the material can be bored by rotation only. Such action will not only reduce drill efficiency, but may also damage the drill tip.
- Operating the Impact Drill with the change lever in mid-position may result in damage. When switching, make sure that you shift the change lever to the correct position.

9. Attaching the hook (Optional accessory) (Fig. 8)

To attach the hook (A), it is necessary to disassemble the handle portion which covered the tool's electrical system. For your continued safety and electrical shock protection, installing the hook (A) on this drill should **ONLY** be performed by a HITACHI AUTHORIZED SERVICE CENTER.

CAUTION

When the power tool is used with a hook fixed to it, pay attention to the following points:

- Before hanging the main unit from the waist belt, make sure that the drill has come to a complete stop. While it is suspended from the waist belt, the power plug must be disconnected from the power source.
- Do not walk about with the power tool hanging from the waist belt.
- In the case of operation in a high place, it is dangerous to drop the tool accidentally. If the hook is deformed or hung from the wrong position, there is danger that the hook will slip off and the tool will fall. Be careful to avoid danger.
- In making a through hole, the power tool sometimes shakes violently when the workpiece is pierced, from example. Be careful you are not hurt by the hook even if such situation happens.

HOW TO USE

1. Switch operation

- When the trigger is depressed, the tool rotates. When the trigger is released, the tool stops.
- The rotational speed of the drill can be controlled by varying the amount that the trigger switch is pulled. Speed is low when the trigger switch is pulled slightly and increases as the trigger switch is pulled more.
- The desired rotation speed can be pre-selected with the speed control dial.

Turn the speed control dial clockwise for higher speed and counterclockwise for lower speed (Fig. 9).

- Pulling the trigger and pushing the stopper, it keeps the switched-on condition which is convenient for continuous running. When switching off, the stopper can be disconnected by pulling the trigger again.

2. When using as a Drill or an Impact Drill

- (1) Pressing force of the drill
You cannot drill holes more quickly even if you press the drill with a stronger force than necessary. It not only damages tip of drill bit and decreases the efficiency of operation, but also shortens the life of the drill tip.
- (2) In case of penetrating holes
Drill bits can be broken when the material being drilled is penetrated. It is important to decrease pressing force just before penetrating.

CAUTION

In continuous operation, conduct no-load operation for five seconds after completing a drilling job.

- (3) When a thick drill bit is used
Your arm is subjected to larger reaction force when a thicker drill bit is used. Be careful not to be moved by the reaction force. For this, establish a foothold, hold the unit tightly with both hands perpendicularly to the material being drilled.

MAINTENANCE AND INSPECTION

1. Inspecting the drill bits

Since use of an abraded drill bits will cause motor malfunctioning and degraded efficiency, replace the drill bits with a new one or resharpener without delay when abrasion is noted.

2. Inspecting the mounting screws

Regularly inspect all mounting screws and ensure that they are properly tightened. Should any of the screws be loose, retighten them immediately. Failure to do so could result in serious hazard.

3. Maintenance of the motor

The motor unit winding is the very "heart" of the power tool. Exercise due care to ensure the winding does not become damaged and/or wet with oil or water.

4. Inspecting the carbon brushes

For your continued safety and electrical shock protection, carbon brush inspection and replacement on this tool should **ONLY** be performed by a HITACHI AUTHORIZED SERVICE CENTER.

5. Service parts list

- A: Item No.
- B: Code No.
- C: No. Used
- D: Remarks

CAUTION

Repair, modification and inspection of Hitachi Power Tools must be carried out by an Hitachi Authorized Service Center.

This Parts List will be helpful if presented with the tool to the Hitachi authorized Service Center when requesting repair or other maintenance.

In the operation and maintenance of power tools, the safety regulations and standards prescribed in each country must be observed.

MODIFICATION

Hitachi Power Tools are constantly being improved and modified to incorporate the latest technological advancements.

Accordingly, some parts (i.e. code numbers and/or design) may be changed without prior notice.

NOTE

Due to HITACHI's continuing program of research and development, the specifications herein are subject to change without prior notice.

Information concerning airborne noise and vibration

The measured values were determined according to EN50144.

The typical A-weighted sound pressure level: 99 dB (A).

The typical A-weighted sound power level: 112 dB (A).

Wear ear protection.

The typical weighted root mean square acceleration value: 10.5 m/s².

ALLGEMEINE VORSICHTSMASSNAHMEN

WARNUNG! Bei der Verwendung von Elektrowerkzeugen müssen immer die grundlegenden Vorsichtsmaßnahmen befolgt werden, um das Risiko von Feuer, elektrischem Schlag und persönlicher Verletzung und den nachfolgenden Punkten zu vermeiden. Lesen Sie diese Anweisungen völlig, bevor Sie dieses Erzeugnis verwenden, und bewahren Sie diese Anweisungen auf.

Für sicheren Betrieb:

- Der Arbeitsplatz sollte sauber gehalten werden. Unaufgeräumte Arbeitsplätze und Werkbänke erhöhen die Unfallgefahr.
- Die Betriebsbedingungen beachten. Elektrowerkzeuge sollten nicht dem Regen ausgesetzt werden. Ebenfalls sollten Sie nicht an feuchten oder nassen Plätzen gebraucht werden. Der Arbeitsplatz sollte gut beleuchtet sein. Verwenden Sie Elektrowerkzeuge nicht an Orten, an denen die Gefahr von Feuer oder Explosion besteht.
- Schutzmaß nehmen gegen elektrische Schläge treffen. Darauf achten, daß das Gehäuse nicht in Kontakt mit geerdeten Flächen kommt. (z.B. Rohre, Radiatoren, Elektroherde, Kühlschränke).
- Kinder und gebrechliche Personen sollten vom Gerät ferngehalten werden. Andere Personen nicht mit dem Werkzeug oder dem Verlängerungskabel in Kontakt kommen lassen. Besucher sollten vom Arbeitsbereich ferngehalten werden.
- Nicht benutzte Werkzeuge sollten sicher aufbewahrt werden. Sie sollten an einem trockenen und hochgelegenen oder verschließbaren Ort aufbewahrt werden, außerhalb der Reichweite von Kindern und gebrechlichen Personen.
- Werkzeuge sollten nicht mit übermäßiger Gewalt verwendet werden. Ihre Leistung ist besser und sicherer, wenn sie mit der vorgeschriebenen Geschwindigkeit verwendet werden.
- Nur die korrekten Werkzeuge verwenden. Niemals ein kleineres Werkzeug oder Zusatzgerät für Arbeiten verwenden, die Hochleistungsgeräte erfordern. Nur Werkzeuge verwenden, die dem Verwendungszweck entsprechen, d.h. niemals eine Kreissäge zum Sägen von Ästen oder Baumstämmen verwenden.
- Die richtige Kleidung tragen. Keine lose Kleidung oder Schmuck tragen, da sich lose Kleidungsstücke in den bewegenden Teilen verfangen können. Bei Arbeiten im Freien sollten Gummihandschuhe und rutschfeste Schuhe getragen werden. Tragen Sie eine schützende Haarabdeckung, um langes Haar zurückzuhalten.
- Es sollte eine Sicherheitsbrille getragen werden. Bei Arbeiten mit Staubentwicklung sollte eine Gesichtsmaske getragen werden.
- Schließen Sie eine Staubabsaugvorrichtung an. Wenn Vorrichtungen für den Anschluß von Staubabsaug- und -sammelvorrichtungen vorhanden sind, so stellen Sie sicher, daß diese angeschlossen sind und richtig verwendet werden.
- Niemals das Kabel mißbrauchen. Ein Werkzeug niemals am Kabel tragen oder bei Abtrennung von der Steckdose das Kabel harausreißen. Das Kabel sollte gegen Hitze, Öl und scharfe Kanten geschützt werden.
- Den Arbeitsplatz gut absichern. Zwingen oder einen Schraubstock zur Befestigung des Werkstücks verwenden. Das ist sicherer als die Benutzung der Hände und macht beide Hände zur Bedienung des Werkzeugs frei.

- Sich niemals weit überbeugen. Immer einen festen Stand und ein sicheres Gleichgewicht bewahren.
- Die Werkzeuge sollten sorgfältig behandelt werden. Für einen einwandfreien und sicheren Betrieb sollten sie stets scharf sein und saubergehalten werden. Die Anleitungen für Schmierung und Austausch des Zuehörtubes unbedingt einhalten. Die Kabel der Geräte regelmäßig überprüfen und bei Beschädigung durch eine autorisierte Kundendienststelle reparieren lassen. Ebenfalls die Verlängerungskabel regelmäßig überprüfen und bei Beschädigung auswechseln. Die Handgriffe sollten stets trocken und sauber sein, sowie keine Öl- oder Schmierfett stellen aufweisen.
- Werkzeuge vom Netz trennen, wenn sie nicht benutzt werden, vor Wartungsarbeiten und beim Austausch von Zubehörteilen wie z.B. Blätter, Bohrer und Messer.
- Alle Stellkeile und Schraubenschlüssel entfernen. Vor Einschaltung des Gerätes darauf achten, daß alle Stellkeile und Schraubenschlüssel entfernt worden sind.
- Ein unbeabsichtigtes Einschalten sollte vermieden werden. Niemals ein angeschlossenes Werkzeug mit dem Finger am Schalter tragen. Vor Anschluß überprüfen, ob das Gerät ausgeschaltet ist.
- Im Freien ein Verlängerungskabel verwenden. Nur ein Verlängerungskabel verwenden, das für die Verwendung im Freien markiert ist.
- Den Arbeitsvorgang immer unter Kontrolle haben. Das Gerät niemals in einem abgespannten Zustand verwenden.
- Beschädigte Teile überprüfen. Vor Benutzung des Werkzeugs sollten beschädigte Teile oder Schutzvorrichtungen sorgfältig überprüft werden, um festzustellen, ob sie einwandfrei funktionieren und die vorgesehene Funktion erfüllen, Ausrichtung, Verbindungen sowie Anbringung sich bewegender Teile überprüfen. Ebenfalls überprüfen, ob Teile gebrochen sind. Teile oder Schutzvorrichtungen, die beschädigt sind, sollten, wenn in dieser Bedienungsanleitung nichts anderes erwähnt ist, durch eine autorisierte Kundendienststelle ausgetauscht oder repariert werden. Dasselbe gilt für defekte Schalter. Wenn sich das Werkzeug nicht mit dem Schalter einoder ausschalten läßt, sollte das Werkzeug nicht verwendet werden.
- Warnung
Die Verwendung von anderem Zubehör oder anderen Zusätzen als in dieser Bedienungsanleitung empfohlen kann das Risiko einer Körperverletzung einschließen.
- Lassen Sie Ihr Werkzeug durch qualifiziertes Personal reparieren. Dieses Elektrowerkzeug entspricht den zutreffenden Sicherheitsanforderungen. Reparaturen sollten nur von qualifiziertem Personal unter Verwendung von Originalersatzteilen durchgeführt werden, da sonst beträchtliche Gefahr für den Benutzer auftreten kann.

VORSICHTSMASSNAHMEN FÜR DIE BENUTZUNG DER SCHLAGBOHRMASCHINE

- Bevor man in Wände, in Decken oder Boden bohrt, muß man sich davon überzeugen, daß keine elektrischen Kabel oder Kabelrohre darunter liegen.
- Beim Bohren von Beton oder anderen harten Materialien in Schlagbohr-Betriebsart die R-Seite der Drucktaste drücken (**Abb. 10**).

TECHNISCHE DATEN

Spannung (je nach Gebiet)*		(110V, 220V, 230V, 240V) ~
Leistungsaufnahme		590 W*
Leerlaufdrehzahl		0-2900 min ⁻¹
Spannfutterkapazität		13 mm
Kapazität	Stahl	13 mm
	Beton	16 mm
	Holz	25 mm
Vollastschlagzahl		34500 min ⁻¹
Gewicht (ohne Kabel)		1,5 kg

*Vergessen Sie nicht, die Produktangaben auf dem Typenschild zu überprüfen, da sich diese je nach Verkaufsgebiet ändern.

STANDARDZUBEHÖR

- (1) Bohrfutterschlüssel (Technische Daten nur für Futter mit Futterschlüssel Bohrer) 1
 - (2) Handgriff 1
 - (3) Tiefenlehre 1
 - (4) Plastikgehäuse 1
- Das Standardzubehör kann ohne vorherige Bekanntmachung jederzeit geändert werden.

SONDERZUBEHÖR (separat zu beziehen)

- (1) Schlagbohrer (für Beton)
3,2 mm bis 20 mm Durchmesser
 - (2) Haken (A)
- Das Sonderzubehör kann ohne vorherige Bekanntmachung jederzeit geändert werden.

ANWENDUNGEN

- Kombierter Betrieb von DREHUNG und STOSS:
Bohren von Löchern in harten Flächen (Beton, Marmor, Granit, Kachel, etc.)
- Betrieb durch einfache DREHUNG:
Bohren von Löchern in Metall, Holz und plastisches Material.

VOR INBETRIEBNAHME

1. **Netzspannung**
Prüfen, daß die zu verwendende Netzspannung der Angabe auf dem Typenschild entspricht.
2. **Netzschalter**
Prüfen, daß der Netzschalter auf "AUS" steht. Wenn der Stecker an das Netz angeschlossen ist, Während der Schalter auf "EIN" steht, beginnt das Werkzeug sofort zu laufen und bedeutet ernsthafte Gefahr.
3. **Verlängerungskabel**
Wenn der Arbeitsbereich nicht in der Nähe des Netzanschlusses liegt, ist ein Verlängerungskabel ausreichenden Querschnitts und ausreichender Nennleistung zu verwenden. Das Verlängerungskabel sollte so kurz wie möglich gehalten werden.

4. Wahl des geeigneten Bohrers

- Beim Bohren von Beton oder Stein
Die unter Sonderzubehör aufgeführten Bohrer verwenden.
- Beim Bohren von Metall oder Kunststoff
Einen normalen Metallbohrer verwenden.
- Beim Bohren von Holz
Einen normalen Holzspiralbohrer verwenden. Für Löcher von 6,5 mm oder kleiner wird ein Metallbohrer verwendet.

5. Anbringen und Abnehmen der Werkzeugspitze

Für Bohrfutter mit Futterschlüssel (Abb. 1)

- (1) Öffnen Sie die Spannbacken des Futters und schieben Sie den Bohrer in das Futter.
- (2) Schieben Sie den Futterschlüssel in jedes der drei Löcher des Spannfutters ein und drehen Sie den Schlüssel im Uhrzeigersinn (von der Vorderseite her gesehen). Ziehen Sie fest an.
- (3) Schieben Sie zum Entfernen des Bohrers den Futterschlüssel in eins der Löcher des Spannfutters und drehen Sie ihn gegen den Uhrzeigersinn.

Für ein schlüsselfreies Spannfutter (Abb. 2)

- (1) Öffnen Sie die Spannbacken des Futters und schieben Sie den Bohrer in das Futter.
- (2) Halten Sie den Ring fest und drehen Sie die Muffe im Uhrzeigersinn. Ziehen Sie fest an.
- (3) Halten Sie zum Entfernen des Bohrers den Ring fest und drehen Sie die Muffe entgegen dem Uhrzeigersinn.
- (4) Wenn sich die Buchse nicht weiter lockern läßt, so fixieren Sie den Seitengriff am Haltering, halten Sie den Seitengriff fest, und drehen Sie dann die Buchse, um sie von Hand zu lösen (Abb. 3).

6. Überprüfen der Drehrichtung (Abb. 4)

Der Bohrer dreht sich im Uhrzeigersinn (gesehen von hinten), Wenn die R-Seite des Druckknopfs gedrückt wird. Wenn die L-Seite des Bohrers gedrückt wird, dreht sich der Bohrer gegen den Uhrzeigersinn. (Die Markierungen (L) und (R) befinden sich auf dem Körper der Bohrmaschine.)

VORSICHT

Immer den Schlagbohrschrauber im Uhrzeigersinn betätigen, wenn er als Stoßbohrer gebraucht wird.

7. Anbringen des Handgriffes (Abb. 5)

Den Handgriff an der Halterung anbringen. Den Griff des Handgriffs zum Befestigen im Uhrzeigersinn drehen. Den Handgriff in eine Position stellen, die der Bedienung angemessen ist, und dann den Handgriff sicher befestigen. Zum Anbringen des Tiefenanschlags am Handgriff die Anschlagstange in die U-förmige Rille des Handgriffs einsetzen, den Tiefenanschlag auf die gewünschte Lochtiefe einstellen und den Seitenhandgriff fest anziehen (Abb. 6).

8. Umstellung von SCHLAGBOHREFUNKTION auf BOHREN (Abb. 7)

Den Umschalthebel zwischen der rechten und der linken Position umschalten, um zwischen IMPACT (Schlagen und Drehen) und ROTATION (nur Drehen) umzuschalten.

Zum Bohren von Löchern in harten Materialien wie Beton oder Dachziegeln den Umschalthebel zur rechten Position (wie durch die Markierung **T** angezeigt) umschalten. Der Bohrer führt dann Schlagbohren durch eine Kombination von Schlag und Drehen durch.

Zum Bohren von Löchern in Metall, Holz oder Plastik den Umschalthebel zur linken Position (wie durch die Markierung **I** angezeigt) umschalten. Der Bohrer arbeitet dann wie ein herkömmlicher Elektroböhrer nur durch Drehung.

VORSICHT

- Den Schlagbohrer nicht mit der Schlagbohrfunktion verwenden, wenn sich das Material in reiner Bohrfunktion bohren läßt. Dadurch wird nicht nur die Leistung des Bohrers vermindert, sondern es kann auch die Bohrspitze beschädigt werden.
- Betrieb des Schlagbohrers mit dem Umschalthebel in mittlerer Stellung kann Beschädigung verursachen. Beim Umschalten immer sicherstellen, dass der Umschalthebel in die richtige Position geschaltet wird.

9. Anbringen des Hakens (Sonderzubehör) (Abb. 8)

Zum Anbringen des Hakens (A) ist es erforderlich, den Handgriffabschnitt zu entfernen, der das Elektrosystem der Bohrmaschine abdeckt. Zur Erhaltung Ihrer Sicherheit und des Schutzes gegen elektrischen Schlag sollte der Haken (A) NUR DURCH EIN AUTORISIERTES HITACHI WARTUNGSGEZENTRUM angebracht werden.

ACHTUNG

Achten Sie bei Verwendung der Bohrmaschine mit angebrachtem Haken auf die folgenden Punkte:

- Stellen Sie sicher, daß die Bohrmaschine vollständig angehalten hat, bevor Sie diese am Gürtel aufhängen. Während Aufhängung am Gürtel muß der Stecker des Netzkabel aus der Steckdose gezogen sein.
- Gehen Sie nicht herum, während die Bohrmaschine am Gürtel hängt.
- Bei Arbeit an einem höheren Ort ist versehentliches Herunterfallen der Bohrmaschine gefährlich. Wenn der Haken verformt ist oder Aufhängung an der falschen Stelle erfolgt, besteht die Gefahr, daß sich der Haken löst und die Bohrmaschine herunterfällt. Lassen Sie Sorgfalt walten, um Gefahr zu verhüten.
- Beim Bohren eines durchgehenden Loches kann es zu heftigem Schütteln der Bohrmaschine kommen, wenn die Bohrspitze aus dem Material austritt. Achten Sie darauf, daß Sie auch in einem solchen Fall nicht durch den Haken verletzt werden.

VERWENDUNG**1. Schalterbetätigung**

- Wenn der Abzugschalter durchgedrückt wird, dreht sich das Werkzeug. Wenn der Abzugschalter losgelassen wird, hält das Werkzeug an.
- Die Drehzahl des Bohrers kann durch entsprechendes Durchziehen des Abzugschalters geregelt werden. Wenn der Abzugschalter nur leicht durchgedrückt wird, ist die Drehzahl niedrig, und sie nimmt zu, wenn der Abzugschalter stärker durchgedrückt wird.
- Die gewünschte Drehzahl kann mit der Drehzahlkala voreingestellt werden. Drehen Sie die Drehzahlkala im Uhrzeigersinn für eine höhere Drehzahl und gegen den Uhrzeigersinn für eine niedrigere Drehzahl (Abb. 9).
- Wenn der Abzugschalter durchgedrückt und der Stopper gedrückt wird, bleibt die Maschine eingeschaltet, was angenehm für kontinuierliche Verwendung ist. Zum Ausschalten kann der Stopper durch erneutes Durchdrücken des Abzugschalters freigegeben werden.

2. Gebrauch des Werkzeuges als Bohrer oder Stpßbohrer**(1) Aufdruckkraft**

Die Löcher werden nicht schneller gebohrt werden, wenn dazu mehr Abdruckkraft als nötig auf das Werkzeug ausgeübt wird. Nicht nur würde dadurch die Bohrspitze beschädigt und die Leistung vermindert werden, sondern die Lebensdauer des Werkzeuges würde sich auch verkürzen.

(2) Löcherbohren

Um zu vermeiden, daß die Bohrspitze beim Bohren bricht, ist es wichtig die Aufdruckkraft am Anfang der Bohrerbeit zu verringern.

VORSICHT

Für Dauerbetrieb, ungegüher 5 Sekunden nach Beendigung einer Bohrarbeit leerlaufen lassen.

(3) Gebrauch einer dicken Bohrspitze

Bei Gebrauch einer dicken Bohrspitze wird Ihr Arm einer größeren Kraftanwendung unterworfen, Lassen Sie sich dadurch nicht mitreißen. Eine feste Stelle an der man Fuß fassen kann vorsehen, das Werkzeug mit beiden Händen und senkrecht ans Arbeitsmaterial halten.

WARTUNG UND INSPEKTION**1. Inspektion der Bohrer**

Da ein abgenutzter Bohrer Fehlfunktion des Motors und verringerte Wirksamkeit verursacht, sollten Sie die Bohrer sofort schärfen durch neue ersetzen, wenn Verschleiß festgestellt wird.

2. Inspektion der Befestigungsschraube

Alle Befestigungsschrauben werden regelmäßig inspiziert und geprüft, daß sie richtig angezogen sind. Wenn sich eine der Schrauben lockert, muß sie sofort wieder angezogen Werden. Geschieht das nicht, kann das zu erheblicher Gefahr führen.

3. Wartung des Motors

Die Motorwicklung ist das "Herz" des Elektrowerkzeugs. Daher ist besonders sorgfältig darauf zu achten, daß die Wicklung nicht beschädigt und/oder mit Öl oder Wasser benetzt wird.

4. Inspektion der Kohlebürsten

Zur Erhaltung Ihrer Sicherheit und des Schutzes gegen elektrischen Schlag sollten Inspektion und Auswechseln der Kohlebürsten NUR DURCH EIN AUTORISIERTES HITACHI-WARTUNGSZENTRUM durchgeführt werden.

5. Liste der Wartungsteile

A : Punkt Nr.

B : Code Nr.

C : Verwendete Anzahl

D : Bemerkungen

ACHTUNG

Reparatur, Modifikation und Inspektion von Hitachi-Elektrowerkzeugen müssen durch ein Autorisiertes Hitachi-Wartungszentrum durchgeführt werden.

Diese Teilleiste ist hilfreich, wenn sie dem Autorisierten Hitachi-Wartungszentrum zusammen mit dem Werkzeug für Reparatur oder Wartung ausgehändigt wird.

Bei Betrieb und Wartung von Elektrowerkzeugen müssen die Sicherheitsvorschriften und Normen beachtet werden.

MODIFIKATIONEN

Hitachi-Elektrowerkzeuge werden fortwährend verbessert und modifiziert, um die neuesten technischen Fortschritte einzubauen.

Dementsprechend ist es möglich, daß einige Teile (z.B. Codenummern bzw. Entwurf) ohne vorherige Benachrichtigung geändert werden.

HINWEIS

Aufgrund des ständigen Forschungs - und Entwicklungsprogramms von HITACHI sind Änderungen der hierin gemachten technischen Angaben vorbehalten.

Information über Betriebslärm und Vibration

Die Meßwerte wurden entsprechend EN50144 bestimmt.

Der typische A-gewichtete Schalldruck ist 99 dB (A).

Der typische A-gewichtete Schalleistungspegel ist 112 dB (A).

Bei der Arbeit immer einen Ohrenschutz tragen.

Der typische gewogene quadratische Mittelwert für die Beschleunigung ist 10,5 m/s².

ΓΕΝΙΚΑ ΜΕΤΡΑ ΑΣΦΑΛΕΙΑΣ ΚΑΤΑ ΤΗ ΛΕΙΤΟΥΡΓΙΑ

ΚΙΝΔΥΝΟΣ! Κατά τη χρήση ηλεκτρικών εργαλείων, τα βασικά μέτρα ασφαλείας πρέπει πάντοτε να ακολουθούνται για την ελάττωση του κινδύνου της πυρκαγιάς, της ηλεκτροπληξίας και του ατομικού τραυματισμού, συμπεριλαμβανομένων των παρακάτω. Διαβάστε όλες αυτές τις οδηγίες πριν θέσετε σε λειτουργία αυτό το προϊόν και φυλάξτε αυτές τις οδηγίες.

Για ασφαλείς λειτουργίες:

1. Διατηρήστε τον χώρο εργασίας καθαρό. Οι ακατάστατοι χώροι και πάγκοι εργασίας έχουν την τάση να προκαλούν τραυματισμούς.
2. Λάβετε υπόψη το περιβάλλον εργασίας. Μην εκθέσετε τα ηλεκτρικά εργαλεία στη βροχή. Μην χρησιμοποιήσετε ηλεκτρικά εργαλεία σε υψιστεγνές ή υγρές περιοχές. Κρατήστε το χώρο εργασίας καλά φωτισμένο. Μην χρησιμοποιήσετε τα ηλεκτρικά εργαλεία σε χώρο όπου υπάρχει κίνδυνος φωτιάς ή έκρηξης.
3. Φυλάξτε ενάντια στην ηλεκτροπληξία. Αποφύγετε την σωματική επαφή με γειωμένες επιφάνειες. (π.χ. σωλήνες, θερμάστρες, μαγειρικές συσκευές, ψυγεία).
4. Κρατήστε τα παιδιά και τους σωματικά καταβεβλημένους ανθρώπους μακριά. Μην αφήνεται τους επισκέπτες να αγγίζουν το εργαλείο ή το καλώδιο προέκτασης. Όλοι οι επισκέπτες πρέπει να κρατούνται μακριά από το χώρο εργασίας.
5. Αποθηκεύστε τα εργαλεία που δεν βρίσκονται σε λειτουργία. Όταν δεν χρησιμοποιούνται τα εργαλεία πρέπει να αποθηκεύονται σε ένα χώρο που είναι στεγνός, βρίσκεται σε μια ψηλή θέση ή είναι κλειδωμένος, μακριά από την πρόσβαση των παιδιών και των σωματικά καταβεβλημένων ανθρώπων.
6. Μην ασκήσετε βία στο εργαλείο. Θα πραγματοποιήσει την εργασία καλύτερα και με μεγαλύτερη ασφάλεια στο ρυθμό για τον οποίο σχεδιάστηκε.
7. Χρησιμοποιήστε το κατάλληλο εργαλείο. Μην προσαρτήσετε βία σε μικρά εργαλεία ή προσαρτήματα να κάνετε τη δουλειά ενός εργαλείου σχεδιασμένο για βαριές δουλειές. Μην χρησιμοποιήσετε εργαλεία για δουλειές για τις οποίες δεν προορίζονται. Για παράδειγμα μην χρησιμοποιήσετε ένα κόφτη για να κόψετε κλαδιά δέντρου ή κούτσουρα.
8. Ντυθείτε κατάλληλα. Μην φοράτε φαρδιά ρούχα ή κοσμήματα, αυτά μπορούν να πιαστούν στα μετακινούμενα μέρη. Λαστιχένια γάντια και μη ολισθηρά υποδήματα συνιστώνται όταν εργάζεστε σε εξωτερικούς χώρους. Φορέστε ένα προστατευτικό κάλυμμα μαλλιών για να καλύψετε τα μακριά μαλλιά.
9. Χρησιμοποιήστε προστατευτικό ματιών. Επίσης χρησιμοποιήστε μάσκα προσώπου ή σκόνης αν η εργασία της κοπής θα προκαλέσει σκόνη.
10. Συνδέστε ένα εξάρτημα εξαγωγής σκόνης. Αν παρέχονται εξαρτήματα για την σύνδεση των συσκευών εξαγωγής και συλλογής σκόνης σιγουρευτείτε ότι αυτά είναι συνδεδεμένα και ότι χρησιμοποιούνται κατάλληλα.
11. Μην χρησιμοποιήσετε βία στο καλώδιο. Ποτέ μη μεταφέρετε το εργαλείο από το καλώδιο ή το τραβήξετε απότομα για να το αποσυνδέσετε από την υποδοχή. Κρατήστε το καλώδιο μακριά από θερμότητα, λάδι, και κοφτερές γωνίες.

12. Σιγουρευτείτε το αντικείμενο εργασίας σας. Χρησιμοποιήστε φινιγκτήρες ή μια μέγερνη για το κράτημα του αντικείμενου πάνω στο οποίο εργάζεστε. Είναι πιο ασφαλές από το να χρησιμοποιείτε το χέρι σας και επιπρόσθετα ελευθερώνει και τα δύο χέρια για να λειτουργήσετε το εργαλείο.
13. Μην προεκτείνετε. Διατηρήστε πάντοτε το κατάλληλο πάτημα και ισορροπία.
14. Συντηρείτε τα εργαλεία με προσοχή. Διατηρείτε τα εργαλεία που κόβουν αιχμηρά και καθαρά για καλύτερη και ασφαλέστερη απόδοση. Ακολουθήστε τις οδηγίες για τη λίπανση και την αλλαγή εξαρτημάτων. Ελέγχετε τα καλώδια των εργαλείων περιοδικά αν έχουν πάθει ζημιά, επισκευάστε τα σε ένα εξουσιοδοτημένο κέντρο επισκευής. Ελέγχετε τα καλώδια περιοδικά και αντικαταστήστε τα αν έχουν πάθει ζημιά. Κρατήστε τις λαβές στεγνές, καθαρές, χωρίς να έχουν λάδι και γράσο.
15. Αποσυνδέστε τα εργαλεία. Όταν δεν χρησιμοποιούνται, πριν από το σέρβις και κατά την αλλαγή εξαρτημάτων όπως λεπίδες, ακίδες, και κόφτες.
16. Αφαιρέστε τα κλειδιά ρυθμιζόμενου ανοίγματος και τα απλά κλειδιά. Έχετε την συνήθεια να ελέγχετε να δείτε αν τα απλά κλειδιά και τα κλειδιά ρυθμιζόμενου ανοίγματος έχουν αφαιρεθεί από το εργαλείο πριν το βάλετε να δουλέψει.
17. Αποφύγετε την άσκοπη εκκίνηση. Μην μεταφέρετε ένα συνδεδεμένο στην μπρίζα εργαλείο με τη σκανδάλη στο χέρι. Βεβαιωθείτε ότι ο διακόπτης είναι κλειστός όταν βάζετε το εργαλείο στη μπρίζα.
18. Χρησιμοποιήστε καλώδια προέκτασης για χρήση σε εξωτερικό χώρο. Όταν το εργαλείο χρησιμοποιείται σε εξωτερικό χώρο χρησιμοποιήστε καλώδια προέκτασης που προορίζονται για χρήση στον εξωτερικό χώρο.
19. Να είστε σε ειλικρίνεια. Βλέπετε τι κάνετε. Χρησιμοποιήστε τη κοινή λογική. Μην λειτουργείτε το εργαλείο όταν είστε κουρασμένοι.
20. Ελέγξτε τα κατεστραμμένα τμήματα. Πριν την παραπέρα χρήση του εργαλείου, ο προφυλακτήρας ή το οποιοδήποτε κομμάτι που έχει πάθει ζημιά πρέπει να ελεγχθεί προσεκτικά για να διαπιστωθεί ότι θα λειτουργήσει κανονικά και θα εκτελέσει την λειτουργία για την οποία προορίζεται. Ελέγξτε την ευθυγράμμιση των κινούμενων τμημάτων, την ελεύθερη κίνηση των κινούμενων τμημάτων, το σπάσιμο των τμημάτων, την στερώση και τις οποιοδήποτε άλλες καταστάσεις που ενδέχεται να επηρεάζουν την λειτουργία του. Ο προφυλακτήρας ή οποιοδήποτε άλλο τμήμα που έχει πάθει ζημιά θα πρέπει να διορθωθεί κατάλληλα ή να αντικατασταθεί από ένα εξουσιοδοτημένο για σέρβις κέντρο εκτός και αν υπάρχει ένδειξη για κάτι άλλο σε αυτές τις οδηγίες χειρισμού. Αντικαταστήστε τους ελαττωματικούς διακόπτες από ένα εξουσιοδοτημένο για σέρβις κέντρο. Μην χρησιμοποιήσετε το εργαλείο αν ο διακόπτης δεν το βάζει σε εκκίνηση και δεν το κλείνει.
21. Κίνδυνος
Η χρήση οποιονδήποτε εξαρτημάτων ή προσαρτημάτων εκτός από αυτά που συνιστώνται σε αυτές τις οδηγίες χειρισμού, μπορεί να προκαλέσει τον κίνδυνο προσωπικού τραυματισμού.
22. Επισκευάστε το εργαλείο σας σε ένα έμπειρο πρόσωπο. Αυτό το ηλεκτρικό εργαλείο είναι εναρμονισμένο με τους σχετικούς κανόνες ασφαλείας. Η επισκευή θα πρέπει να γίνεται μόνον από έμπειρα άτομα που χρησιμοποιούν αυθεντικά ανταλλακτικά. Διαφορετικά μπορεί να προκληθεί σημαντικός κίνδυνος για τον χρήστη.

ΠΡΟΦΥΛΑΚΤΙΚΑ ΜΕΤΡΑ ΓΙΑ ΤΗΝ ΧΡΗΣΗ ΤΟΥ ΚΡΟΥΣΤΙΚΟΥ ΔΡΑΠΑΝΟΥ

1. Πριν το άνοιγμα τρύπας πάνω σε τοίχους, οροφές ή δάπεδα, βεβαιωθείτε ότι δεν υπάρχουν κρυμμένα μέσα ηλεκτρικά καλώδια.

ΤΕΧΝΙΚΑ ΧΑΡΑΚΤΗΡΙΣΤΙΚΑ

Τάση (ανά περιοχές)*	(110V, 220V, 230V, 240V) ~	
Ισχύς εισόδου	590 W*	
Ταχύτητα χωρίς φορτίο	0-2900 min ⁻¹	
Ικανότητα σφικτήρα δραπάνου	13 mm	
Ικανότητα	Ατσάλι	13 mm
	Τσιμέντο	16 mm
	Ξύλο	25 mm
Ταχύτητα κρούσης πλήρους φορτίου	34500 min ⁻¹	
Βάρος (χωρίς καλώδιο)	1,5 kg	

*Βεβαιωθείτε να ελέγξετε την πινακίδα στο προϊόν επειδή υπόκεινται σε αλλαγή σε εξάρτηση από την περιοχή.

ΚΑΝΟΝΙΚΑ ΕΞΑΡΤΗΜΑΤΑ

- (1) Κλειδί Σφικτήρα (Ειδ. μόνο για σφικτήρα που τοποθετείται με κλειδί σφικτήρα) 1
 - (2) Πλευρική λαβή 1
 - (3) Μετρητής βάθους 1
 - (4) Πλαστική θήκη 1
- Τα κανονικά εξαρτήματα μπορούν να αλλάξουν χωρίς προειδοποίηση.

ΠΡΟΑΙΡΕΤΙΚΑ ΕΞΑΡΤΗΜΑΤΑ (πωλούνται ξεχωριστά)

- (1) Λεπίδα Κρουστικού Δραπάνου (για τσιμέντο) 3,2 mm - 20 mm διαμ.
- (2) Γάτζος (A)
Τα προαιρετικά εξαρτήματα υπόκεινται σε αλλαγή χωρίς προειδοποίηση.

ΕΦΑΡΜΟΓΕΣ

- Με τον συνδυασμό των δράσεων ΠΕΡΙΣΤΡΟΦΗ και ΚΡΟΥΣΗ: Άνοιγμα τρύπας σε σκληρά υλικά (τσιμέντο, μάρμαρο, γρανίτη, πλακάκια, κλπ.)
- Με ΠΕΡΙΣΤΡΟΦΙΚΗ δράση:
Άνοιγμα τρυπών σε μέταλλο, ξύλο και πλαστικό.

ΠΡΙΝ ΤΗ ΛΕΙΤΟΥΡΓΙΑ

1. **Πηγή ρεύματος**
Βεβαιωθείτε ότι η πηγή ρεύματος που πρόκειται να χρησιμοποιηθεί είναι εναρμονισμένη με τις απαιτήσεις σε ρεύμα που αναφέρεται στην πινακίδα του εργαλείου.
2. **Διακόπτης ρεύματος**
Βεβαιωθείτε ότι ο διακόπτης ρεύματος βρίσκεται στη θέση OFF. Αν το βίσμα είναι στη μπρίζα καθώς ο διακόπτης ρεύματος βρίσκεται στο ON, το εργαλείο θα αρχίσει να λειτουργεί αμέσως, με πιθανότητα πρόκλησης σοβαρού ατυχήματος.

2. Όταν τρυπάτε τσιμέντο ή παρόμοια σκληρά υλικά με τον τρόπο λειτουργίας ΚΡΟΥΣΗ, πατήστε την R-πλευρά του κουμπιού ώθησης (Εικ. 10).

3. Καλώδιο προέκτασης

Όταν ο χώρος εργασίας βρίσκεται μακριά από την παροχή ρεύματος, χρησιμοποιήστε ένα καλώδιο προέκτασης με κατάλληλο πάχος και ικανότητα μεταφοράς ρεύματος. Το καλώδιο προέκτασης πρέπει να είναι τόσο κοντό όσο είναι πρακτικά δυνατό.

4. Επιλογή της κατάλληλης λεπίδας τρυπανιού

- Όταν τρυπάτε τσιμέντο ή πέτρα
Χρησιμοποιήστε τις λεπίδες που περιγράφονται στα Προαιρετικά Εξαρτήματα.
- Όταν τρυπάτε ξύλο
Χρησιμοποιήστε μια λεπίδα τρυπανιού κατάλληλη για ξύλο.
- Όμως, όταν ανοίγετε τρύπες 6,5 mm ή μικρότερες τρύπες, χρησιμοποιήστε μια λεπίδα τρυπανιού που είναι κατάλληλη για μέταλλο.

5. Σύνδεση και αποσύνδεση της λεπίδας

Για τον σφικτήρα Τρυπανιού με κλειδί σφικτήρα (Εικ. 1)

- (1) Ανοίξτε τις αρπάγες του σφικτήρα, και βάλτε μέσα τη λεπίδα στο σφικτήρα.
- (2) Τοποθετήστε το κλειδί του σφικτήρα μέσα σε κάθε μια από τις τρεις τρύπες του σφικτήρα και περιστρέψτε το προς τα δεξιά (όψη από την μπροστινή πλευρά). Σφίξτε με ασφάλεια.
- (3) Για να αφαιρέσετε τη λεπίδα, τοποθετήστε το κλειδί του σφικτήρα μέσα σε μια από τις τρύπες του σφικτήρα και περιστρέψτε το προς τα αριστερά.

Για σφικτήρες χωρίς κλειδί (Εικ. 2)

- (1) Ανοίξτε τις αρπάγες του σφικτήρα, και βάλτε μέσα τη λεπίδα στο σφικτήρα.
Για να ανοίξετε τις αρπάγες του σφικτήρα, κρατήστε το δακτύλιο ενώ περιστρέφεται το συνδετικό δακτύλιο προς τα αριστερά (όψη από την μπροστινή πλευρά).
- (2) Πιάστε δυνατά το δακτύλιο και περιστρέψτε το συνδετικό δακτύλιο προς τα δεξιά. Σφίξτε με ασφάλεια.

- (3) Για να αφαιρέσετε την λεπίδα, πιάστε δυνατά το δακτύλιο και περιστρέψτε το συνδετικό δακτύλιο προς τα αριστερά.
- (4) Όταν ο βραχίονας δεν ξεσφίγγει περισσότερο, στερεώστε τη πλευρική λαβή στο δακτύλιο συγκράτησης, κρατήστε την πλευρική λαβή γερά, μετά στρέψτε το βραχίονα για να τον χαλαρώσετε με το χέρι **(Εικ. 3)**.
- 6. Ελέγξτε την περιστροφική διούθυνση (Εικ. 4)**
 Η λεπίδα περιστρέφεται προς τα δεξιά (όψη από την πίσω πλευρά) πατώντας την R-πλευρά του κουμπιού. Η L-πλευρά του κουμπιού πατιέται για να περιστραφεί η λεπίδα προς τα αριστερά. (Τα σημάδια (L) και (R) παρέχονται πάνω στο σώμα.)

ΠΡΟΣΟΧΗ

- Πάντοτε να χρησιμοποιείτε το κρουστικό δράπανο με περιστροφή προς τα δεξιά, όταν το χρησιμοποιείτε σαν κρουστικό δράπανο.
- 7. Στερέωση της πλευρικής λαβής (Εικ. 5)**
 Συνδέστε την πλευρική λαβή στο τμήμα στερέωσης. Περιστρέψτε το χερούλι της πλευρικής λαβής προς τα δεξιά για να το ασφαλίσετε. Τοποθετήστε την πλευρική λαβή σε τέτοια θέση έτσι ώστε να είναι κατάλληλη για λειτουργία και μετά σφίξτε γερά το χερούλι της πλευρικής λαβής. Για συνδέστε το μετρητή βάθους στην πλευρική λαβή, βάλτε τον μετρητή μέσα στην αυλάκωση της πλευρικής λαβής που έχει σχήμα U, ρυθμίστε την θέση του μετρητή βάθους σύμφωνα με το επιθυμητό βάθος της τρύπας, και γερά σφίξτε το χερούλι της πλευρικής λαβής **(Εικ. 6)**.

8. Αλλαγή από την ΚΡΟΥΣΗ στη ΠΕΡΙΣΤΡΟΦΗ (Εικ. 7)

- Μετακινήστε το μοχλό αλλαγής μεταξύ των αριστερών και δεξιών θέσεων για την εύκολη αλλαγή μεταξύ IMPACT (περιστροφή και κρούση) και ROTATION (περιστροφή μόνο), αντίστοιχα. Για την διάνοιξη τρυπών σε σκληρά υλικά όπως τσιμέντο, πέτρα και πλακάκια, μετακινήστε τον μοχλό αλλαγής στην δεξιά θέση (όπως υποδεικνύεται με το **T** σημάδι). Η λεπίδα τρυπανιού λειτουργεί με το συνδυασμό των δράσεων της κρούσης και της περιστροφής. Για την διάνοιξη τρυπών σε μέταλλο, ξύλο και πλαστικό, μετακινήστε τον μοχλό στην αριστερή θέση (όπως υποδεικνύεται με το **2** σημάδι). Η λεπίδα τρυπανιού λειτουργεί με την περιστροφική δράση μόνο, όπως στην περίπτωση του συμβατικού ηλεκτρικού τρυπανιού.

ΠΡΟΣΟΧΗ

- Μην χρησιμοποιήσετε το Κρουστικό Δράπανο στη λειτουργία ΚΡΟΥΣΗ αν το υλικό μπορεί να τρυπηθεί μόνο με την περιστροφή. Τέτοια ενέργεια όχι μόνο θα ελαττώσει την αποδοτικότητα του τρυπανιού, αλλά επίσης θα προκαλέσει ζημιά στην άκρη της λεπίδας.
 - Η χρήση του Κρουστικού Δραπάνου με τον μοχλό αλλαγής στην ενδιάμεση θέση μπορεί να προκαλέσει ζημιά. Κατά την αλλαγή, σιγουρευτείτε ότι μετακινείτε τον μοχλό αλλαγής στην σωστή θέση.
- 9. Σύνδεση του γάντζου (Προαιρετικό εξάρτημα) (Εικ. 8)**
 Για να συνδέσετε το γάντζο (A) είναι απαραίτητο να αποσυνδέσετε το τμήμα της λαβής που καλύπτει το ηλεκτρικό σύστημα του εργαλείου. Για την συνεχιζόμενη δική σας ασφάλεια και την προστασία

από την ηλεκτροπληξία η εγκατάσταση του γάντζου (A) σε αυτό το δράπανο πρέπει να γίνει μονάχα από ένα ΕΞΟΥΣΙΟΔΟΤΗΜΕΝΟ ΚΕΝΤΡΟ ΣΕΡΒΙΣ ΤΗΣ HITACHI.

ΠΡΟΣΟΧΗ

- Όταν το ηλεκτρικό εργαλείο χρησιμοποιείται με το γάντζο στερεωμένο σε αυτό, δώστε προσοχή στα παρακάτω σημεία:
- Πριν κρεμάσετε την κύρια μονάδα από την ζώνη της μέσης σας, βεβαιωθείτε ότι το δράπανο έχει σταματήσει τελείως. Ενώ είναι κρεμασμένο από την ζώνη της μέσης σας, το βίωμα παροχής ρεύματος πρέπει να είναι αποσυνδεδεμένο από την πηγή του ρεύματος.
 - Μην περπατάτε με το ηλεκτρικό εργαλείο να κρέμεται από την ζώνη της μέσης σας.
 - Στην περίπτωση λειτουργίας σε υψηλά μέρη, είναι επικίνδυνο να ρίξετε κάτω το εργαλείο κατά λάθος. Αν ο γάντζος παραμορφωθεί ή κρεμαστεί από λανθασμένη θέση, υπάρχει κίνδυνος ο γάντζος θα γλιστρήσει και το εργαλείο να πέσει κάτω. Προσέχετε να αποφυγεται τον κίνδυνο.
 - Κατά το άνοιγμα μιας τρύπας το ηλεκτρικό εργαλείο μερικές φορές τραντάζεται με δύναμη όταν το αντικείμενο εργασίας τρυπηθεί, για παράδειγμα. Προσέξτε να μην τραυματιστείτε από τον γάντζο ακόμα και αν κάτι τέτοιο συμβεί.

ΠΩΣ ΝΑ ΤΟ ΧΡΗΣΙΜΟΠΟΙΗΣΕΤΕ

1. Λειτουργία διακόπτη

- Όταν η σκανδάλη είναι χαμηλωμένη, το εργαλείο περιστρέφεται. Όταν η σκανδάλη ελευθερωθεί το εργαλείο σταματά.
- Η ταχύτητα περιστροφής του δραπάνου μπορεί να ελεγχθεί από το κατά πόσο τραβιέται η σκανδάλη διακόπτης. Η ταχύτητα είναι χαμηλή όταν η σκανδάλη διακόπτης τραβιχθεί ελαφρά και αυξάνει καθώς η σκανδάλη διακόπτης τραβιέται περισσότερο.
- Η επιθυμητή ταχύτητα περιστροφής μπορεί να επιλεγεί εκ των προτέρων με το καντράν ελέγχου ταχύτητας. Γυρίστε το καντράν ελέγχου ταχύτητας δεξιόστροφα για την υψηλότερη ταχύτητα και αριστερόστροφα για τη χαμηλότερη ταχύτητα **(Εικ. 9)**.
- Το τράβηγμα της σκανδάλης και το σπρώξιμο του στόπερ, διατηρεί την κατάσταση λειτουργίας, η οποία είναι βολική για συνεχής λειτουργία. Κατά το σβήσιμο, το στόπερ μπορεί να αποσυνδεθεί τραβώντας τη σκανδάλη ξανά.

2. Όταν το χρησιμοποιείτε ως Τρυπάνι ή ως Κρουστικό Δράπανο

- (1) Δύναμη πίεσης στο τρυπάνι
 Δεν μπορείτε να ανοίξετε τρύπες πιο γρήγορα ακόμα και αν πιέσετε το τρυπάνι με περισσότερη δύναμη από αυτή που είναι απαραίτητη. Αυτό όχι μόνο προκαλεί την ζημιά στην άκρη της λεπίδας του τρυπανιού και ελαττώνει την αποδοτικότητα της λειτουργίας, αλλά επίσης μικραίνει την διάρκεια ζωής της κορυφής του τρυπανιού.
- (2) Στην περίπτωση των διαπερών τρυπών
 Η λεπίδες του τρυπανιού μπορεί να σπάσουν όταν το υλικό το οποίο τρυπιέται διαπεραστεί εντελώς. Είναι σημαντικό να ελαττώσετε την δύναμη πίεσης λίγο πριν την πλήρη διαπεράση.

ΠΡΟΣΟΧΗ

Στην συνεχή χρήση, πραγματοποιήστε τη λειτουργία χωρίς φορτίο για πέντε δευτερόλεπτα μετά την ολοκλήρωση της εργασίας τρυπανίσματος.

- (3) Όταν μια παχιά λεπίδα τρυπανιού χρησιμοποιηθεί Το μπάτσο σας υπόκειται σε μεγαλύτερη δύναμη αντίδρασης όταν χρησιμοποιείτε μια πιο παχιά λεπίδα τρυπανιού. Δώστε προσοχή ώστε να μην μετακινήσετε εξαιτίας της δύναμης αντίδρασης. Για αυτό το λόγο, διατηρήστε το πάτημά σας, κρατήστε την συσκευή γερά με τα δυο χέρια κατακόρυφα προς το υλικό το οποίο τρυπιέται.

ΣΥΝΤΗΡΗΣΗ ΚΑΙ ΕΛΕΓΧΟΣ

1. Έλεγχος των λεπίδων του δραπάνου

Επειδή η χρήση των φθαρμένων λεπίδων θα προκαλέσει την δυσλειτουργία του μοτέρ και την μειωμένη αποδοτικότητα, αντικαταστήστε τις λεπίδες του δραπάνου με καινούργιες ή ακονίστε τις χωρίς καθυστέρηση όταν παρατηρηθεί η φθορά.

2. Έλεγχος των διδών στερέωσης

Ελέγχετε περιοδικά όλες τις βίδες στερέωσης και βεβαιωθείτε ότι είναι κατάλληλα σφιγμένες. Στην περίπτωση που χαλαρώσει οποιαδήποτε βίδα σφίξτε την ξανά αμέσως. Αν δεν το κάνετε αυτό μπορεί να έχει ως αποτέλεσμα το σοβαρό τραυματισμό.

3. Συντήρηση του μοτέρ

Η περιέλιξη της μονάδα του μοτέρ είναι η καρδιά του ηλεκτρικού εργαλείου. Δώστε μεγάλη προσοχή για να σιγουρευτείτε ότι η περιέλιξη δεν θα πάθει ζημιά και / ή θα βρεχθεί με λάδι ή νερό.

4. Έλεγχος στα καρβουνάκια

Για την συνεχιζόμενη ασφάλεια σας και την προστασία σας από την ηλεκτροπληξία, ο έλεγχος στα καρβουνάκια και η αντικατάσταση αυτού του εργαλείου πρέπει ΜΟΝΟ να γίνεται από ένα ΕΞΟΥΣΙΟΔΟΤΗΜΕΝΟ ΚΕΝΤΡΟ ΣΕΡΒΙΣ ΤΗΣ HITACHI.

5. Λίστα συντήρησης των μερών

- A: Αρ. Αντικειμένου
- B: Αρ. Κωδικού
- C: Αρ. που χρησιμοποιήθηκε
- D: Παρατηρήσεις

ΠΡΟΣΟΧΗ

Η επισκευή, η τροποποίηση και ο έλεγχος των Ηλεκτρικών Εργαλείων Hitachi πρέπει να γίνεται από ένα Εξουσιοδοτημένο Κέντρο Σέρβις της Hitachi. Αυτή η λίστα των Μερών θα είναι χρήσιμη αν παρουσιαστεί μαζί με το εργαλείο στο Εξουσιοδοτημένο Κέντρο Σέρβις της Hitachi όταν ζητάτε επισκευή ή κάποια άλλη συντήρηση.

Κατά τον έλεγχο και τη συντήρηση των ηλεκτρικών εργαλείων, οι κανόνες ασφαλείας και οι κανονισμοί που υπάρχουν σε κάθε χώρα πρέπει να ακολουθούνται.

ΤΡΟΠΟΠΟΙΗΣΗ

Τα Ηλεκτρικά Εργαλεία Hitachi βελτιώνονται συνεχώς και τροποποιούνται για να συμπεριλάβουν τις τελευταίες τεχνολογικές προόδους.

Κατά συνέπεια, ορισμένα τμήματα (δηλ. κωδικοί αριθμοί και / ή σχεδιασμός) μπορούν να αλλάξουν χωρίς προηγούμενη ειδοποίηση.

ΣΗΜΕΙΩΣΗ

Εξαιτίας του συνεχιζόμενου προγράμματος έρευνας και ανάπτυξης της Hitachi τα τεχνικά χαρακτηριστικά που εδώ αναφέρονται μπορούν να αλλάξουν χωρίς προηγούμενη ειδοποίηση.

Πληροφορίες που αφορούν τον εκπεμπόμενο θόρυβο και τη δόνηση.

Οι τιμές μετρήθηκαν σύμφωνα με το EN50144.

Ένα τυπικό επίπεδο πίεσης ήχου A : 99 dB (A).

Ένα τυπικό επίπεδο A ηχητικής ισχύος είναι: 112 dB (A).

Φοράτε προστατευτικά αυτιών.

Μια τυπική τιμή ρίζας μέσης τετραγωνικής επιτάχυνσης: 10,5 m/s²

PODSTAWOWE ŚRODKI OSTROŻNOŚCI

UWAGA! Podczas używania narzędzi elektrycznych należy przestrzegać podstawowych środków ostrożności w celu zmniejszenia ryzyka pożaru, porażenia prądem oraz zranienia, w tym następujących punktów.

Przeczytaj instrukcję zanim przystąpisz do użytkowania narzędzia i zachowaj te instrukcje.

W celu zachowania bezpieczeństwa użytkownika:

1. Miejsce pracy należy utrzymywać w czystości. Zaśmiecone stanowiska pracy i stoły warsztatowe mogą być przyczyną obrażeń.
2. Należy uwzględnić warunki środowiska pracy. Narzędzia elektryczne nie mogą być narażone na działanie deszczu i wilgoci. Miejsce pracy powinno być dobrze oświetlone. Nie używaj narzędzi elektrycznych w pobliżu łatwopalnych cieczy lub gazów ani tam gdzie mogłyby spowodować pożar lub wybuchnąć.
3. Strzeż się porażenia prądem. Unikaj kontaktu cielesnego z uziemionymi powierzchniami (jak np. rury, kaloryfery, lodówki i piecyki).
4. Trzymaj z daleka od dzieci. Nie pozwól odwiedzającym dotknąć narzędzia lub kabla. Odwiedzający powinni trzymać się z daleka od miejsca pracy.
5. Chowaj nieużywane narzędzia. Kiedy nie są w użytku, narzędzia powinny być przechowywane w suchym, zamkniętym miejscu lub kładzione wysoko, tam, gdzie nie dosięgną ich dzieci.
6. Nie wywieraj zbyt mocnego nacisku na narzędzia. Działa ono najlepiej i najbezpieczniej, gdy przestrzegana jest instrukcja użycia.
7. Używaj właściwego narzędzia. Nie używaj małych narzędzi lub dodatków do wykonywania pracy przeznaczonej dla narzędzi większych. Nie używaj narzędzi w celach, do których nie były przeznaczone, jak np. nie używaj piły tarczowej do ścinania gałęzi lub pni.
8. Noś odpowiedni ubiór. Nie noś luźnego ubrania lub biżuterii, mogą się one bowiem wkręcić w ruchome części maszyn. W czasie pracy na zewnątrz zalecane jest używanie gumowych rękawic i nieślizgającego się obuwia. Noś nakrycie głowy, by zabezpieczyć długie włosy.
9. Używaj okularów ochronnych. Używaj maski na twarz, by zabezpieczyć się jeżeli w czasie pracy występuje dużo kurzu.
10. Używaj pochłaniaczy kurzu. Jeśli istnieje możliwość podłączenia pochłaniaczy kurzu, upewnij się, że są one podłączone i poprawnie używane.
11. Nie niszcz kabla. Nigdy nie noś narzędzia trzymając je za kabel i nie ciągnij za kabel, by rozłączyć urządzenie. Trzymaj kabel z daleka od gorąca, oleju, i ostrych narzędzi.
12. Pracuj bezpiecznie. Używaj zacisków lub imadła by trzymać w miejscu przedmioty. Jest to bezpieczniejsze, niż używanie do tego rąk i pozwala na użycie obu rąk do trzymania narzędzi.
13. Nie pochylaj się nad narzędziem. Zawsze zachowuj balans i równowagę,

14. Dbaj o narzędzia. Utrzymuj narzędzia tak, by były ostre i czyste i by lepiej i sprawniej funkcjonowały. Przestrzegaj instrukcji w smarowaniu i wymianie akcesoriów. Sprawdzaj okresowo kable narzędzi i jeśli są one uszkodzone, zanoś do naprawy w autoryzowanym centrum napraw. Sprawdź co pewien czas przedłużacze i wymieniaj je, gdy są uszkodzone. Dbaj, by uchwyty narzędzi były czyste i suche i wolne od tłuszczu i smaru.
15. Rozłączaj narzędzia gdy nie są w użytku, przed naprawami i podczas wymiany akcesoriów takich jak ostrza, wiertła i przecinaki.
16. Zdejmuj klucze i narzędzia regulujące. Wyrób sobie zwyczaj sprawdzania czy klucze i narzędzia regulujące są zdjęte z narzędzi przed ich uruchomieniem.
17. Unikaj przypadkowego włączenia. Nie noś narzędzia z palcem na włączniku w czasie, gdy jest ono włączone do prądu. Upewnij się, że przycisk jest wyłączony zanim włączysz narzędzie do prądu.
18. Używaj przedłużaczy przeznaczonych do użytku na zewnątrz. Kiedy narzędzie jest używane na zewnątrz używaj wyłącznie przedłużaczy do użytku zewnętrznego.
19. Zachowaj ostrożność. Zwracaj uwagę na to, co robisz. Kieruj się rozsądkiem. Nie używaj narzędzi, gdy jesteś zmęczony.
20. Sprawdzaj uszkodzone części. Przed ponownym użyciem narzędzia osłona lub inna uszkodzona część powinna być uważnie sprawdzona, by upewnić się, że będzie ona poprawnie funkcjonować i wykona zamierzoną czynność. Sprawdź ustawienie ruchomych części a także czy poruszają się one bez przeszkód, sprawdź także uszkodzenia, umocowanie i inne czynniki mogące wpłynąć na sprawne działanie narzędzia. Osłona lub inna uszkodzona część powinna być naprawiona lub wymieniona w autoryzowanym centrum napraw lub według zaleceń zawartych w instrukcji. Wymień uszkodzone przełączniki w autoryzowanym centrum napraw. Nie używaj narzędzia jeśli nie działa wyłącznik.
21. Uwaga
Używanie akcesoriów lub dodatków, które nie są zalecane w instrukcji może grozić ryzykiem odniesienia obrażeń.
22. Naprawiaj narzędzie u wykwalifikowanego fachowca. To narzędzie spełnia określone wymogi bezpieczeństwa. Naprawy powinny być wykonywane tylko przez wykwalifikowanych fachowców używających oryginalnych części zastępczych. W innym przypadku może grozić to niebezpieczeństwem dla użytkownika.

ŚRODKI OSTROŻNOŚCI STOSOWANE PRZY UŻYCIU MŁOTOWIERTARKI

1. Przed wierceniem w ścianach, sufitach czy podłogach upewnij się, że nie ma w nich żadnych kabli elektrycznych.
2. Podczas wiercenia w betonie i innych twardych materiałach w trybie UDAROWYM należy wcisnąć przycisk po stronie oznaczonej literą R (**Rys. 10**).

DANE TECHNICZNE

Napięcie (w zależności od miejsca)*	(110V, 220V, 230V, 240V) ~	
Moc pobierana	590 W*	
Prędkość bez obciążenia	0 – 2900 min ⁻¹	
Wydajność uchwytu wiertarskiego	13 mm	
Wydajność	Stal	13 mm
	Beton	16 mm
	Drewno	25 mm
Częstotliwość uderzeń przy pełnym obciążeniu	34500 min ⁻¹	
Waga (bez kabla)	1,5 kg	

*Sprawdź nazwę produktu, jako że ulega ona zmianie w zależności od miejsca zakupu.

WYPOSAŻENIE STANDARDOWE

- (1) Klucz do uchwytu wiertarskiego (Wyłącznie do uchwytów wiertarskich wyposażonych w klucz) 1
 - (2) Uchwyt boczny 1
 - (3) Ogranicznik głębokości 1
 - (4) Plastikowe pudełko 1
- Wyposażenie standardowe może ulec zmianie bez uprzedzenia.

WYPOSAŻENIE DODATKOWE (sprzedawane oddzielnie)

- (1) Wiertło udarowe (do betonu)
średn. 3,2 mm – 20 mm
 - (2) Haczyk (A)
- Wyposażenie dodatkowe może ulec zmianie bez uprzedzenia.

ZASTOSOWANIE

- Jednoczesne używanie funkcji OBROTU i UDERZENIA: Wiercenie otworów w twardych materiałach (beton, marmur, granit, płytki, itp.)
- Funkcja OBROTU: Wiercenie otworów w metalu, drewnie, tworzywach sztucznych.

PRZED UŻYCIEM

- 1. Źródło mocy**
Upewnij się, że źródło mocy jest zgodne z wymogami mocy zaznaczonymi przy nazwie produktu.
- 2. Przełącznik**
Upewnij się, że przełącznik jest wyłączony (pozycja OFF). Jeśli wtyczka jest włączona do prądu gdy przełącznik jest włączony (pozycja ON), narzędzie zacznie działać natychmiast, co może spowodować poważny wypadek.
- 3. Przedłużacz**
Kiedy miejsce pracy znajduje się daleko od źródła prądu, użyj przedłużacza o wystarczającym przekroju. Przedłużacz powinien być tak krótki, jak tylko jest to możliwe i wartości znamionowej.
- 4. Wybór odpowiedniego wiertła**
 - Do wiercenia w betonie lub kamieniu
Używaj wiertel wymienionych w Wyposażeniu dodatkowym.

- Do wiercenia w metalu lub plastiku
Używaj normalnych wiertel do metalu.
- Do wiercenia w drewnie
Używaj normalnych wiertel do drewna.
Przy wierceniu otworów mniejszych, niż 6,5 mm, używaj jednak wiertel do metalu.

5. Mocowanie i wyjmowanie wiertła

Do uchwytów wiertarskich z kluczem (Rys. 1)

- (1) Otwórz szczęki uchwytu i włóż wiertło do uchwytu.
- (2) Włóż klucz uchwytu do każdego z trzech otworów uchwytu i obracając kluczem zgodnie z ruchem wskazówek zegara (patrząc od przodu) zamocuj wiertło.
- (3) By wyjąć wiertło, włóż klucz do jednego z otworów w uchwycie i obróć klucz w kierunku przeciwnym do ruchu wskazówek zegara.

Uchwyt bez klucza (Rys. 2)

- (1) Otwórz szczęki uchwytu i włóż wiertło do uchwytu. Aby otworzyć szczęki uchwytu, schwyć pierścien i obracaj tuleję w kierunku przeciwnym do ruchu wskazówek zegara (patrząc z przodu).
- (2) Mocno schwyć pierścien i obracaj tuleję w kierunku zgodnym z ruchem wskazówek zegara. Zaciśnij uchwyt.
- (3) Aby wyjąć wiertło, mocno schwyć pierścien i obróć tuleję w kierunku przeciwnym do ruchu wskazówek zegara.
- (4) Kiedy tuleja nie może już być bardziej poluzowana, przymocuj uchwyt boczny do pierścienia ustalającego, przytrzymaj mocno uchwyt boczny, a następnie obróć tuleję, luzując ją ręcznie. (Rys. 3)

6. Sprawdzanie kierunku obrotów (Rys. 4)

Wiertło obraca się w kierunku zgodnym z ruchem wskazówek zegara (patrząc od tyłu) po wciśnięciu przycisku ze strony oznaczonej literą R. Wciśnięcie przycisku ze strony oznaczonej literą L służy do włączania obrotów w kierunku przeciwnym do ruchu wskazówek zegara.
(Litery (L) i (R) są umieszczone na obudowie narzędzia.)

UWAGA

Przy pracy z włączoną funkcją obracania i udaru należy używać tylko kierunku zgodnego z ruchem wskazówek zegara.

7. Mocowanie uchwytu bocznego (Rys. 5)

Załóż uchwyt boczny na część montażową. Obróć rączkę uchwytu bocznego w kierunku zgodnym z ruchem wskazówek zegara zaciskając uchwyt. Najpierw wybierz takie ustawienie uchwytu bocznego,

by móc wygodnie używać młotowiertarki, dopiero wtedy zaciśnij uchwyt.

By założyć ogranicznik głębokości na uchwycie bocznym włóż ogranicznik w rowek w kształcie litery U na uchwycie bocznym, wybierz położenie ogranicznika odpowiadające pożądanej głębokości otworu i dokręć mocno rączkę uchwyty bocznego (Rys. 6).

8. Przelączanie z funkcji UDERZENIA na OBROTY (Rys. 7)

Zmieniając położenie dźwigni przelącznika – w lewo lub w prawo – można łatwo przelącznąć tryb pracy młotowiertarki z funkcji, odpowiednio, UDERZENIA (obrotowo-udarowa) na OBROTY (tylko obrotowa).

By wiercić otwory w takich twardych materiałach jak beton, kamień czy płytki dźwignię należy przelącznić w prawo (strona jest oznaczona symbolem **T**).

Wiertło będzie zarówno się obracać, jak i uderzać. By wiercić otwory w metalu, drewnie i plastiku należy dźwignię przelącznić w lewo (strona oznaczona symbolem **M**).

Wiertło będzie się jedynie obracać – jak w przypadku zwykłej wiertarki elektrycznej.

UWAGA

○ Nie używaj funkcji UDERZENIA, jeżeli w danym materiale można wiercić otwory przy użyciu tylko funkcji obrotowej. Nie tylko zmniejszyłoby to skuteczność wiercenia, ale także mogłoby doprowadzić do uszkodzenia wiertła.

○ Włączenie młotowiertarki przy dźwigni zmiany funkcji ustawionej pomiędzy funkcjami Obrotu i Uderzenia może doprowadzić do jej zniszczenia. Przy przelączaniu dźwigni upewnij się, że jest ona w jednym z dwóch prawidłowych ustawień.

9. Mocowanie haczyka (Wyposażenie dodatkowe) (Rys. 8)

Przed zamontowaniem haczyka (A) należy zdemontować tę część uchwyty, która przykrywa system elektryczny urządzenia. Ze względów bezpieczeństwa i ochrony przed porażeniem prądem elektrycznym, montowanie haczyka (A) w tej wiertarce należy zlecać JEDYNIEM Autoryzowanemu Centrum Obsługi Hitachi.

UWAGA

Przy używaniu wiertarki z zainstalowanym haczykiem należy przestrzegać następujących zasad:

○ Przed zawieszeniem głównego urządzenia na pasie narzędziowym należy upewnić się, że wiertło jest absolutnie nieruchome.

Przed zawieszeniem urządzenia na pasie narzędziowym, wiertarkę należy odłączyć od źródła zasilania.

○ Poruszanie się po terenie z wiertarką zawieszoną na pasie narzędziowym jest zabronione.

○ W przypadku pracy na wysokości istnieje niebezpieczeństwo przypadkowego upuszczenia urządzenia. Jeśli haczyk jest zdeformowany lub zawieszony w niewłaściwej pozycji zachodzi niebezpieczeństwo ześlizgnięcia się haka i upadku urządzenia.

Pamiętaj, aby unikać niebezpiecznych sytuacji.

○ Przy wierceniu otworów przelotowych wiertarka często ulega silnym wstrząsom, na przykład wtedy, gdy wiertło przebijają się przez wierconą powierzchnię. W takich sytuacjach należy szczególnie uważać na to, by nie zranić się haczykiem.

JAK UŻYWAĆ MŁOTOWIERTARKI

1. Włączanie

○ Gdy spust jest wciśnięty, to narzędzie pracuje. Gdy spust zostanie zwolniony, narzędzie się zatrzyma.

○ Prędkością obrotową wiertła można sterować różnicując stopień wciśnięcia spustu. Prędkość jest mniejsza, gdy spust jest wciśnięty tylko trochę i wzrasta przy dalszym jego wciskaniu.

○ Pożądaną prędkość obrotów można ustawić wcześniej pokrętem kontroli prędkości.

By zwiększyć prędkość obrotów obróć pokrętkę kontroli prędkości w kierunku zgodnym z ruchem wskazówek zegara, by prędkość zmniejszyć – w kierunku odwrotnym (Rys. 9).

○ Wciśnięcie zatyczki po wciśnięciu spustu włącza narzędzie w tryb pracy, co jest przydatne przy pracy ciągłej. Aby wyłączyć zatyczkę, należy ponownie wcisnąć spust.

2. Użycie jako zwykłej wiertarki lub wiertarki udarowej

(1) Nacisk wiertarki

Otwory nie będą wiercone szybciej, nawet jeżeli dociśniesz wiertarkę z większą siłą, niż jest to konieczne. Może to doprowadzić nie tylko do uszkodzenia końcówki wiertła, ale również do zmniejszenia wydajności pracy, jak również szybkiego zużycia wiertła.

(2) Wiercenie otworów na wylot

W chwili przewiercania materiału wiertło może pęknąć. Ważne jest, aby zmniejszyć nacisk tuż przed przewierceniem materiału na wylot.

UWAGA

Po zakończeniu dłuższego, nieprzerwanego wiercenia urządzenie powinno pracować przez 5 sekund bez obciążenia.

(3) Użycie grubego wiertła

Twoje ramię stawia opór większej sile w przypadku, gdy używasz grubego wiertła. Uważaj, aby nie ulec sile reakcji wiertarki. Aby się przed tym uchronić, należy podczas pracy pewnie stać na ziemi, trzymać narzędzie mocno obiema rękoma prostopadle do powierzchni nawiercanego materiału.

KONSERWACJE I PRZEGLĄDY

1. Kontrola wiertel

Jako, że używanie tępych wiertel powoduje niewłaściwą pracę silnika i zmniejsza wydajność młotowiertarki, po zauważeniu, że wiertło się stopiło niezwłocznie wymień je na nowe lub naostrz.

2. Kontrola śrub mocujących

Regularnie sprawdzaj, czy wszystkie śruby mocujące są dokręcone. Jeżeli jakakolwiek z nich się poluzowała, to natychmiast ją dokręć. W innym razie mogłoby to doprowadzić do poważnego wypadku.

3. Konserwacja silnika

Wirmik silnika jest sercem tego urządzenia elektrycznego. Zadbaj, by wirmik nie został uszkodzony i/lub nie zawilgotniał lub nie pokrył się olejem.

4. Kontrola szczoteczek węglowych

By praca z narzędziem zawsze była bezpieczna i aby uniknąć ryzyka porażenia prądem, węglowe szczoteczki tego narzędzia powinny być sprawdzane i wymieniane TYLKO przez Autoryzowane Centrum Obsługi Hitachi.

5. Lista części zamiennych

A: Nr części

B: Nr kodu

C: Ilość użytych części

D: Uwagi

UWAGA

Naprawy, modyfikacji i kontroli Narzędzi Elektrycznych Hitachi może dokonywać tylko Autoryzowane Centrum Obsługi Hitachi.

Ta lista części będzie przydatna, jeśli zostanie wręczona Autoryzowanemu Centrum Obsługi Hitachi, gdy zanieśliemy narzędzie do naprawy lub przeglądu.

Podczas używania i konserwacji narzędzi elektrycznych należy przestrzegać przepisów i norm bezpieczeństwa danego kraju.

MODYFIKACJE

Narzędzia elektryczne Hitachi są ciągle ulepszone i modyfikowane w celu wprowadzania najnowszych osiągnięć nauki i techniki

W związku z tym pewne części (a także numery kodów i konstrukcja) mogą ulec zmianom bez uprzedzenia.

UWAGA

W związku z prowadzonym przez Hitachi programem badań i rozwoju, specyfikacje te mogą się zmienić w każdej chwili bez uprzedzenia.

Informacje dotyczące poziomu hałasu i wibracji przenoszonych przez powietrze

Podane wartości zostały zmierzone zgodnie z normą EN50144.

Typowy poziom dźwięku A: 99 dB (A).

Typowe natężenie dźwięku A: 112 dB (A).

Używaj środków ochrony słuchu.

Typowa wartość skuteczna przyśpieszenia wynosi: 10,5 m/s².

ÁLTALÁNOS BIZTONSÁGTECHNIKAI ELŐÍRÁSOK

FIGYELEM! Az elektromos szerszámok használatakor a tűz, elektromos áramütés, valamint személyi sérülések veszélyének elkerülése érdekében mindig tartsa be az alábbi biztonságtechnikai előírásokat.

A termék használatbavétele előtt olvassa el, majd őrizze meg mindezeket az utasításokat.

A biztonságos munkavégzés érdekében:

1. Tartsa tisztán a munkahelyét. A rendetlen munkahely illetve munkapad balesetveszélyt jelent.
2. Mérlegelje a munkahely jellemző tulajdonságait. Esőben ne hagyja kint az elektromos kéziszerszámokat. Ne használjon elektromos szerszámokat nedves, vagy páras környezetben. Gondoskodjék a munkahely jó megvilágításáról. Ne használja az elektromos szerszámokat olyan környezetben, ahol tűz vagy robbanás keletkezésének a veszélye áll fenn.
3. Védekezzen az áramütés ellen! Ügyeljen arra, hogy munka közben ne érintsen meg földelt felületeket (pl. csövezetéseket, fűtőtesteket, tűzhelyeket, hűtőberendezéseket).
4. A gyerekeket és felügyeletre szoruló személyeket tartsa távol az elektromos kéziszerszámoktól. Ne engedje, hogy illetéktelen személyek megérintsék az elektromos kéziszerszámot, vagy az elektromos csatlakozókábelt. A látogatókat távol kell tartani a munkaterülettől.
5. A használaton kívüli szerszámokat biztonságosan, magasan fekvő, vagy elzárt helyen kell tárolni, ahol a gyerekek és felügyeletre szoruló személyek nem férhetnek hozzájuk.
6. Ne erőltesse a szerszámot. A tervezett teljesítménytartományban jobban és biztonságosabban dolgozhat vele.
7. Mindig a megfelelő szerszámot használja! Nehéz munkához ne próbáljon kis teljesítményű készüléket, illetve tartozékokat alkalmazni. Ne használjon olyan szerszámot, amely nem a feladat elvégzésére való, pl. ne használjon kézi körfűrész gallyazásra vagy tűzifa feldarabolására.
8. Viseljen megfelelő munkaruhát! Munka közben ne hordjon bő öltözéket, és ne viseljen eszközöket, mert a szerszám mozgó alkatrészei elkapathatják azokat. Szabadban történő munkavégzéshez ajánlatos gumikesztyű és csúszásbiztos lábbeli viselése. Hosszú haj esetén viseljen a haját eltakaró fejfedőt.
9. Használjon védőszemüveget! Poros munka végzésekor viseljen porvédő álarcot is.
10. Csatlakoztasson valamilyen porelszívó berendezést. Ha a készülék rendelkezik porelszívási, illetve -gyűjtési lehetőséggel, ügyeljen rá, hogy azok megfelelően legyenek csatlakoztatva és használva.
11. Ne rongálja az elektromos csatlakozókábelt. A kéziszerszámot soha ne hordozza a kábelnél fogva, és a villásdugót soha ne a kábelnél fogva húzza ki a dugaszolóaljzatból. Védje a kábelt a magas hőmérséklettől, olajtól és éles sarkaktól.
12. Biztonságosan rögzítse a munkadarabot! A munkadarab befogásához használjon valamilyen befogóeszközt. Ez egyrészt biztonságosabb, mintha saját kezét használná, másrészt így mindkét kezét használhatja a szerszám működtetéséhez.
13. Ne nyújtsa ki a kezét túl nagy távolságra. Munka közben mindig álljon stabilan, és őrizze meg az egyensúlyát.
14. Gondosan ápolja szerszámait! A tökéletesebb és biztonságosabb működés érdekében ügyeljen rá, hogy vágó- és fűrészszerszámai mindig élesek és tiszták legyenek. A kenés elvégzéséhez és a tartozékok cseréjéhez mindig tartsa be az előírásokat és a gép karbantartási és kezelési útmutatását. Rendszeresen ellenőrizze a csatlakozó kábelt, és ha sérülést talál, azt azonnal javítsa ki az erre jogosult szervizzel.

A hosszabbító kábeleket ugyancsak rendszeres időközönként ellenőrizze, és ha megsérült, cserélje ki. A fogantyúkat mindig tartsa szárazan és tisztán, olaj- vagy zsírszennyeződéstől mentesen.

15. Mindig húzza ki a dugaszoló aljzatból a csatlakozó dugót, ha nem használja a szerszámot, vagy ha tartozékokat, pl. fűrészlapot, fűrófejet, illetve vágófejet cserél benne.
16. Mindig vegye ki a szerszámbaállító- illetve befogókulcsait! Mielőtt a gépet bekapcsolja, mindig ellenőrizze, hogy kivette-e a készülékből a szerszámbaállító- illetve befogókulcsot.
17. Kerülje el a gép véletlenszerű beindítását! Ha az elektromos kéziszerszám be van dugva a hálózati csatlakozóaljzatba, ne tartsa újját az indító kapcsolón, ne hordozza így a készüléket. Mielőtt a csatlakozó dugót a dugaszolóaljzatba bedugja, mindig győződjék meg róla, hogy a készülék ki legyen kapcsolva.
18. Használjon szabadtéri hosszabbítókábel! Ha a szabadban kell munkát végeznie, mindig csak az erre a célra alkalmas hosszabbító kábelt használjon.
19. Mindig figyeljen oda a végzett munkára! Az elektromos szerszámmal végzett munka teljes figyelmet igényel! Ne használja a készüléket, ha nem érzi kipihentnek magát.
20. Ellenőrizze, hogy nem sérült-e meg valamelyik alkatrész! A kéziszerszám további használata előtt ellenőrizze az esetlegesen megsérült védőeszközt vagy a szerszám egyéb alkatrészeit, hogy azok megfelelően fognak-e működni, illetve ellátták-e feladatukat. Ellenőrizze a mozgó alkatrészek beállításait, azok szabad mozgását, illetve esetleges sérülésüket, valamint rögzítettőségüket, továbbá a működésüket esetleg befolyásoló egyéb körülményeket. A sérült védőeszközt vagy egyéb alkatrészt kizárólag arra jogosult szervizközpont cserélheti ki, illetve javíthatja meg, hacsak az ebben a Kezelési utasításban másként nincs feltüntetve. A hibás kapcsolókat arra jogosult szervizközpontban kell kicseréltetni. Ne használja a szerszámot, ha a kapcsoló azt nem kapcsolja megfelelően be, illetve ki.

21. Figyelem!

A nem az ebben a Kezelési utasításban ajánlott tartozékok illetve alkatrészek használata személyi sérülés kockázatával jár!

22. A szerszámot csak szakképzett személlyel javíttassa! Ez az elektromos kéziszerszám eleget tesz a vonatkozó biztonságtechnikai előírásoknak. Javításokat csak arra jogosult személyek végezhetnek, kizárólag eredeti alkatrészek felhasználásával. Ennek be nem tartása súlyos veszélyt jelent a szerszám használója számára.

AZ ÜTVEFÜRŐGÉP HASZNÁLATÁVAL KAPCSOLATOS ELŐVIGYÁZATOSSÁGI INTÉZKEDÉSEK

1. Falakba, mennyezetekbe vagy padlóba történő fúrás előtt győződjön meg arról, hogy azokban nem futnak elektromos vezetékek.
2. Amikor betont vagy hasonlóan kemény anyagokat ÜTVEFÜRŐ módban fúr, nyomja meg a nyomógomb jobb (R) oldalát (**10. ábra**).

MŰSZAKI ADATOK

Feszültség (terület szerint)*	(110V, 220V, 230V, 240V) ~	
Névleges teljesítményfelvétel	590 W*	
Üresjárat fordulatszám	0 – 2900 min ⁻¹	
Fúrótokmány kapacitás	13 mm	
Kapacitás	Acél	13 mm
	Beton	16 mm
	Fa	25 mm
Teljes terheléses ütési-sebesség	34500 min ⁻¹	
Súly (tápkábel nélkül)	1,5 kg	

*Ne felejtse el ellenőrizni a típus táblán feltüntetett adatokat, mivel ezek területenként változnak!

STANDARD TARTOZÉKOK

- (1) Tokmánykulcs (Speciálisan csak tokmánykulcsos tokmányhoz) 1
 (2) Oldalfogantyú 1
 (3) Mélységmérő 1
 (4) Műanyag tok 1
 A standard tartozékok előzetes bejelentés nélkül változhatnak.

VÁLASZTHATÓ TARTOZÉKOK
(külön megrendelésre)

- (1) Ütvefűrő hegy (betonhoz)
 3,2 mm – 20 mm átmérő
 (2) Akasztó (A)
 A választható tartozékok előzetes bejelentés nélkül változhatnak.

FELHASZNÁLÁSI TERÜLETEK

- FORGÁS és ÜTVEFŰRÁS:
 Lyukak fúrása kemény anyagokba (beton, márvány, gárnit, csempé, stb.)
- FORGÁS:
 Lyukak fúrása fémbe, fába és műanyagba.

ÜZEMBEHELYEZÉS ELŐTTI TENNIVALÓK

- 1. Áramforrás**
 Ügyeljen rá, hogy a készülék adattábláján feltüntetett feszültség értéke megegyezzen az alkalmazni kívánt hálózati feszültséggel.
- 2. Hálózati kapcsoló**
 Ügyeljen rá, hogy a hálózati kapcsoló KI állásba legyen kapcsolva. Ha a csatlakozódugót úgy csatlakoztatja a dugaszolóaljzatba, hogy a hálózati kapcsoló BE állásban van, akkor a kéziszerszám azonnal működésbe lép, ami súlyos balesetet idézhet elő.
- 3. Hosszabbító vezeték**
 Ha a munkaterület az áramforrástól távol található, akkor egy megfelelő keresztmetszetű és teljesítményű hosszabbító vezetékét kell alkalmazni. A hosszabbító vezeték a lehető legrövidebb legyen.
- 4. A megfelelő fűrőhegy kiválasztása**
 ○ Beton vagy a kő fúrása esetén
 Használja a választható tartozékok között meghatározott fűrőhegyeket.

- Fém vagy műanyag fúrása esetén
 Használjon normál fémmegmunkáló fűrőhegyet.
- Ha fúrása esetén
 Használjon normál fagegmunkáló fűrőhegyet.
 Ha azonban 6,5 mm-es vagy ennél kisebb lyukakat fúr, használjon fémmegmunkáló fűrőhegyet.

5. A hegy felszerelése és eltávolítása **Tokmánykulcsos fúrótokmányhoz (1. ábra)**

- (1) Nyissa ki a tokmány szorítópofoáit és helyezze be a hegyet a tokmányba.
- (2) Illesse be a tokmánykulcsot a tokmány mindhárom lyukába és fordítsa el az óra járásával egyező irányban (a számszám elejéről szemlélve), majd pedig biztonságosan szorítsa meg.
- (3) A hegy eltávolításához illesse be a tokmánykulcsot a tokmány egyik lyukába és fordítsa el az óra járásával ellenkező irányba.

 Kulcs nélküli tokmány esetén (2. ábra)

- (1) Nyissa ki a tokmány szorítópofoáit és helyezze be a hegyet a tokmányba
 A tokmány szorítópofoáinak kinyitásához fogja le a gyűrűt, közben pedig forgassa a karmantyút az óra járásával ellentétes irányba (a számszám elejéről szemlélve).
- (2) Erősen fogja meg a gyűrűt és forgassa a karmantyút az óra járásával egyező irányba, majd pedig biztonságosan szorítsa meg.
- (3) A hegy eltávolításához fogja meg erősen a gyűrűt és forgassa a karmantyút az óra járásával ellentétes irányba.
- (4) Amikor a hüvely már nem lazul tovább, rögzítse az oldalsó markolatot a támasztó gyűrűhöz, tartsa szorosan az oldalsó markolatot, aztán forgassa a hüvelyt a kézzel történő meglazításhoz (3. ábra).
- 6. Ellenőrizze a forgásirányt (4. ábra)**
 (A számszám végétől szemlélve) a nyomógomb jobboldalának (R) megnyomását követően a hegy az óramutató járásával megegyező irányban forog. A hegy óramutató járásával ellenkező irányban történő forgatásához nyomja meg a nyomógomb baloldalát (L). (Az (L) és az (R) jelöléseket a számszám házában találja meg.)

FIGYELEM!

Ha az ütvefűrőgépet ütvefűrőként használja, akkor azt mindig az óramutató járásával megegyező fúrásiiránnyal használja.

7. Az oldalfogantyú rögzítése (5. ábra)

Csatlakoztassa az oldalfogantyút a befogórészbe.

A rögzítéshez forgassa az oldalfogantyút karmantyúját az óramutató járásával megegyező irányba.

Állítsa az oldalfogantyút olyan helyzetbe, hogy az megfeleljen a műveletnek, majd pedig biztonságosan szorítsa meg az oldalfogantyút karmantyúját.

A mélységmérőnek az oldalfogantyúhoz történő csatlakoztatásához illeszze be a mélységmérőt az oldalfogantyún lévő horonyba, állítsa be a mélységmérőt a lyuk kívánt mélységének megfelelően, majd pedig biztonságosan szorítsa meg az oldalfogantyú karmantyúját (6. ábra).

8. Átkapcsolás ÜTVEFŰRÁS-ról FORGÁS-ra (7. ábra)

Az ÜTVEFŰRÁS (forgás és ütés), valamint a FORGÁS (csak forgás) között történő átkapcsoláshoz egyszerűen csak az üzemmód váltó jobb- és baloldali állása között kell átkapcsolnia.

Lyukaknak kemény anyagokba (mint például beton, kő és csempé) történő fűrészához kapcsolja az üzemmód váltót a jobboldali pozícióba (ezt a **T** jel jelöli).

A fűrőhegy ütés és forgás kombinált alkalmazásával működik.

Lyukaknak fémbe, fába és műanyagba történő fűrészához állítsa az üzemmód váltót a baloldali pozícióba (a **J** jel jelöli). A fűrőhegy csak forgás alkalmazásával működik, ugyanúgy, mint egy hagyományos villanyfűrő-gép esetében.

FIGYELEM!

- Ne használjon ütvefűrő-gépet az ÜTVEFŰRÁS funkcióban, ha az anyagot csak forgással lehet fúrni. Az ilyen lépés nem csupán a fűrés hatékonyágát csökkenti, de károsíthatja a fűrőhegyet is.
- Ha úgy működteti az ütvefűrő-gépet, hogy az üzemmód váltó a középső pozícióban van, akkor ez károsodást okozhat. Kapcsolás esetén győződjön meg arról, hogy a helyes állásba állította az üzemmód-váltót.

9. Az akasztó csatlakoztatása (választható tartozék) (8. Ábra)

Az akasztó (A) csatlakoztatásához le kell szerelni azt a fogantyú részt, amely a szerszám elektromos rendszerét takarja. Az Ön folyamatos biztonsága és az elektromos áramütés elleni védelem miatt az akasztót (A) erre a szerszáma CSAK Hitachi szakszervíz szerelheti fel.

FIGYELEM

Ha a kéziszerszámot úgy használja, hogy ahhoz akasztó van rögzítve, akkor az alábbi pontokra kell figyelnie.

- Mielőtt a fűrőegységet a nadrágszíjára akasztaná, győződjön meg arról, hogy a fűrő teljesen leállt.
- Amíg a szerszám a nadrágszíjon lóg, a hálózati csatlakoztót ki kell húzni a dugaszoló aljzatból.
- Ne közeledjen úgy, hogy a kéziszerszám az övén lóg.
- Ha magas helyen dolgozik, akkor a szerszám véletlen elejtése veszélyes lehet. Ha az akasztó deformálódott, vagy ha rossz helyzetben van beakasztva, akkor fennáll a veszélye annak, hogy a szerszám kicsúszik és leesik. Kerülje el a veszélyhelyzeteket.
- Átmenő furat készítésekor a kéziszerszám néha erősen beremeg, például a munkadarab átszakításakor. Ügyeljen arra, hogy az akasztó ilyen eset előfordulásakor se okozzon sérülést.

HASZNÁLAT

1. A kapcsoló működtetése

- A kapcsoló megnyomásakor a szerszám forog. Ha a kapcsolót felengedjük, akkor a szerszám megáll.
- A fűrő forgási sebességét a kapcsoló megnyomásának intenzitását változtatva tudjuk szabályozni. A kapcsoló enyhé megnyomásakor a fűrő sebessége alacsony, és a nyomás fokozásával a sebesség is növekszik.
- A kívánt forgási sebességet a fordulatszám szabályzóval előre is kiválaszthatjuk.

Magasabb fordulatszámhoz fordítsuk el a fordulatszám szabályzót az óramutató járával megegyező irányban, alacsonyabb fordulatszámhoz pedig az óramutató járásával ellenkező irányban (9. ábra).

- A kapcsoló és az ütköző együttes megnyomásakor a fűrő olyan bekapcsolt állapotban marad, amely kényelmes a folyamatos működéshez. Kikapcsoláskor az ütköző a kapcsoló ismételt megnyomásával lehet oldani.

2. Fűrőgépként vagy ütvefűrőgépként történő használat esetén

- (1) A fűrőgép nyomóereje
Nem tud gyorsabban lyukakat fúrni még akkor sem, ha a fűrőgépet a szükségesnél nagyobb erővel nyomja. Ez nem csak a fűrőszár hegyét károsítja és csökkenti a művelet hatékonyságát, de a fűrőhegy élettartamát is megrövidíti.
- (2) Lyukakon áthatolás esetén
A fűrőszárak eltörhetnek, amikor a fűrt anyagon áthatol. Fontos a nyomóerő csökkentése közvetlenül az áthatolás előtt.

VIGYÁZAT

Folyamatos üzemeltetés esetén járassa öt másodpercig terhelés nélkül az egyes fűrészi munkák befejezése után.

- (3) Vastag fűrőszár használat esetén
A karja nagyobb visszaható erőnek van kitéve, amikor vastagabb fűrőszárat használ. Legyen óvatos, hogy a visszaható erő ne mozdítsa el. Ehhez hozzon létre egy lábtartót, tartsa az egységet szorosan mindkét kézzel a fűrt anyagra merőlegesen.

ELLENŐRZÉS ÉS KARBANTARTÁS

1. A fűrőhegyek ellenőrzése

Miután az elkopott fűrőhegyek használata a motor hibás működését és a hatékonyság romlását okozhatja, a kopottság észlelésekor késedelem nélkül cserélje ki a fűrőhegyeket új vagy pedig megélezett hegyekre.

2. A tartócsavarok ellenőrzése

Rendszeresen ellenőrizze az összes tartócsavart, és gondoskodjon arról, hogy azok szorosan meg legyenek húzva. Ha bármelyik csavar kilazulna, azonnal húzza meg őket. Ennek elmulasztása ugyanis súlyos veszélyt okozhat.

3. A motor karbantatása

Az elektromos szerszám lelke a motor tekercesele. Ügyeljen arra, hogy a tekerceselés ne sérüljön meg és ne érje olaj vagy víz.

4. A szénkefék ellenőrzése

Az Ön folyamatos biztonsága és az elektromos áramütés veszélyének elkerülése érdekében e szerszám szénkeféinek ellenőrzését és cseréjét KIZÁRÓLAG csak Hitachi Szakszervíz végezheti.

5. Szervizelési alkatrészlista

- A: Alkatrész-szám
- B: Kódszám
- C: Használt darabszám
- D: Megjegyzések

FIGYELEM

Hitachi kéziszerszámok javítását, módosítását és ellenőrzését csak Hitachi Szakszervíz végezheti.

Javítás vagy egyéb karbantartás esetén hasznos ha ezt a szervíz-alkatrész listát a szerszámmal együtt átadjuk a Hitachi szakszervíznek.

A kéziszerszámok üzemeltetése és karbantartása során be kell tartani az egyes országokban érvényben lévő biztonsági rendelkezéseket és szabványokat.

MÓDOSÍTÁSOK

A Hitachi kéziszerszámok állandó tökéletesítéseken mennek át, hogy alkalmazni tudják a legújabb műszaki fejlesztések eredményeit.

Éppen ezért egyes alkatrészek (azok kódszámai illetve kiviteli módjai) előzetes bejelentés nélkül megváltozhatnak.

MEGJEGYZÉS

A HITACHI folyamatos kutatási és fejlesztési programja következtében az itt szereplő műszaki adatok előzetes bejelentés nélkül változhatnak.

A környezeti zajra és vibrációra vonatkozó információk

A mért értékek az EN50144 szabvány szerint kerültek meghatározásra.

Jellemző A - súlyozott hangnyomásszint: 99 dB (A).

Jellemző A - súlyozott hangnyomásszint: 112 dB (A).

Viseljen hallásvédő eszközt!

A jellemző súlyozott gyorsulás négyzetes középértéke: 10,5 m/s².

VŠEOBECNÉ PROVOZNÍ POKYNY

Varování! Při použití elektrického nářadí je nutné dodržovat základní bezpečnostní opatření, aby se zmenšilo nebezpečí požáru, úrazu elektrickým proudem nebo zranění. Dodržujte také následující pokyny.

Před použitím nástroje si přečtěte všechny tyto pokyny a návod pečlivě uschovejte.

Z bezpečnostních důvodů:

1. Udržujte pracovní prostředí čisté. Nepořádek na pracovišti vede k úrazům.
2. Vyhněte se nebezpečnému prostředí. Chraňte nářadí před deštěm. Nepoužívejte ve vlhkých nebo mokrych místech. Mějte pracoviště dobře osvětlené. Nepoužívejte nářadí blízko hořlavých a výbušných materiálů.
3. Chraňte se proti úrazu elektrickým proudem. Nedotýkejte se uzemněných předmětů (např. potrubí, radiátorů, sporáků nebo ledniček).
4. Dbejte na to, aby byly děti nebo jiné nepovolané osoby v bezpečné vzdálenosti od pracoviště a nedotýkaly se nářadí ani přírodní šňůry.
5. Nepoužívané nástroje uložte v suchu na bezpečném místě mimo dosah dětí.
6. Nástroj nepřetěžujte. Bude pracovat lépe a bezpečněji v podmínkách, pro které byl zkonstruován.
7. Používejte vhodný nástroj. Nepoužívejte malý nástroj nebo příslušenství na práce, pro které je zapotřebí výkonný nástroj. Používejte nářadí jen na práce, pro které je určeno; například nepoužívejte kotoučovou pilu na řezání větví nebo kmenů stromů.
8. Na práci se vhodně oblečte. Neberte si volné šaty nebo šperky. Mohou být zachyceny pohyblivými částmi. Při práci venku se doporučuje používat pryžové rukavice a vhodnou obuv (s protiskluzovou podrážkou). Máte-li dlouhé vlasy, použijte vhodnou pokrývku hlavy.
9. Používejte ochranné pomůcky. Chraňte si oči a pokud se při práci praší, použijte ochrannou masku nebo filtr.
10. Připojte zařízení na odsávání prachu. Je-li nářadí vybaveno přípojkou pro zařízení na odsávání a sběr prachu, zajistěte jejich připojení a správné používání.
11. Zacházejte s napájecí šňůrou opatrně. Nikdy nezvedejte nářadí za šňůru a netahejte za šňůru, když ji chcete odpojit ze zásuvky. Chraňte šňůru před teplem, olejem a ostrými hranami.
12. Pracujte bezpečně. Obráběný materiál upevněte svorkou nebo ve svěráku. Je to bezpečnější než přidržovat materiál rukou a uvolníte si tak pro práci s nástrojem obě ruce.
13. Při práci se příliš nenaklánějte. Udržujte pevný postoj a rovnováhu.
14. Zacházejte s nástroji opatrně. Chraňte vždy jejich ostří a udržujte je čisté, aby se s nimi dobře a bezpečně pracovalo. Dodržujte pokyny pro mazání a výměnu příslušenství. Pravidelně kontrolujte stav napájecí šňůry a je-li poškozena, nechejte nástroj opravit v autorizovaném servisním středisku. Pravidelně kontrolujte stav prodlužovací šňůry a vyměňte ji, je-li poškozena. Mějte ruce suché a čisté, neumazané olejem nebo mazivem.
15. Odpojte napájecí šňůru ze zásuvky, není-li nástroj používán, prováděl-li se jeho údržba nebo se mění příslušenství, např. čepele, nástavce nebo řezací nože.

16. Odstraňte klíče. Zvykněte si před zapnutím nástroje zkontrolovat, zda na něm není nasazen klíč.
17. Zabraňte náhodnému zapnutí. Při přenášení nástroje nemějte prst na spínači. Před připojením napájecí šňůry do zásuvky zkontrolujte, zda je nástroj vypnut.
18. Používáte-li nástroj venku, použijte jen prodlužovací šňůry určené pro venkovní prostředí.
19. Buďte pozorní. Sledujte průběh práce. Používejte zdravý rozum. Nepracujte s nástrojem, jste-li unavení.
20. Před každým použitím zkontrolujte poškození části nářadí, abyste zjistili, zda budou pracovat správně. Zaměřte se na polohu pohyblivých částí, volný pohyb pohyblivých částí, poškození, montáž a další podmínky, které by mohly ovlivnit použití nástroje. Poškozenou ochranu nebo jiné části je třeba správně opravit nebo vyměnit v autorizovaném servisním středisku, nejsou-li v tomto návodu uvedeny jiné pokyny. Vadné spínače nechejte vyměnit v autorizovaném servisním středisku. Nepoužívejte nástroj, nejde-li spínač zapnout nebo vypnout.
21. Varování!
Abyste zabránili poranění, používejte jen příslušenství nebo nástavce popsané v tomto návodu.
22. Opravy světe jen autorizovanému servisu. Tento elektrický nástroj odpovídá příslušným bezpečnostním požadavkům. Opravy smí provádět jen kvalifikované osoby s použitím originálních náhradních dílů. Jinak může uživateli hrozit velké nebezpečí.

OPATRNOST PŘI POUŽÍVÁNÍ PŘÍKLEPOVÉ VRTAČKY

1. Před započetením prací na stěnách, podlaze nebo stropěch se přesvědčte, že uvnitř se nenachází žádné elektrické kabely nebo vodiče.
2. Při vrtání betonu nebo podobných tvrdých materiálů v PŘÍKLEPOVÉM režimu stiskněte stranu R tlačítka (**Obr. 10**).

TECHNICKÉ ÚDAJE

Napětí (podle příslušné oblasti)*	(110 V, 220 V, 230 V, 240 V) ~	
Příkon	590 W*	
Rychlost bez zatížení	0 – 2900 min ⁻¹	
Upínací průměr nástroje ve sklíčidle	13 mm	
Kapacita	Ocel	13 mm
	Beton	16 mm
	Dřevo	25 mm
Příklepová rychlost při plném zatížení	34500 min ⁻¹	
Hmotnost (bez šňůry)	1,5 kg	

* Zkontrolujte, prosíme, štítek na výrobku. Štítek podléhá změnám v závislosti na oblastech použití.

STANDARDNÍ PŘÍSLUŠENSTVÍ

- | | |
|--|---|
| (1) Klíč sklíčidla (Určen pouze pro sklíčidlo vybavené klíčem sklíčidla) | 1 |
| (2) Boční držadlo | 1 |
| (3) Měřítko hloubky | 1 |
| (4) Kufřík z plastu | 1 |
- Standardní příslušenství podléhá změnám bez upozornění.

VOLITELNÉ PŘÍSLUŠENSTVÍ (prodává se zvlášť)

- (1) Příklepový vrták (do betonu) průměr 3,2 mm – 20 mm
 - (2) Hák (A)
- Doplňkové příslušenství podléhá změnám bez upozornění.

POUŽITÍ

- ROTACE ve spojení s PŘÍKLEPEM:
Vyvrtávání otvorů do tvrdých materiálů (beton, mramor, žula, obkladačky atd.)
- ROTACE:
Vyvrtávání otvorů do kovů, dřeva a plastů.

PŘED POUŽITÍM

- 1. Zdroj napětí**
Ujistěte se, že používaný zdroj napětí splňuje požadavky specifikované na štítku výrobku.
- 2. Spínač**
Ujistěte se, že spínač je v poloze VYPNUTO. Pokud je zástrčka zasunuta v zásuvce elektrického proudu a spínač je v poloze ON, zařízení začne okamžitě pracovat, a to může způsobit vážný úraz.
- 3. Prodlužovací kabel**
Pokud je pracoviště vzdáleno od zdroje napájení, použijte prodlužovací kabel o správné tloušťce a kapacitě. Je třeba, aby prodlužovací kabel byl co nejkratší.
- 4. Volba správného vrtáku**
 - Při vrtání do betonu nebo kamene
Použijte vrtáky uvedené v doplňkovém příslušenství.
 - Při vrtání do kovu nebo plastu
Použijte obyčejný vrták na kov.
 - Při vrtání do dřeva
Použijte obyčejný vrták na dřevo.
Při vrtání otvorů o průměru 6,5 mm a méně však použijte vrták na kov.

5. Nasazení a sejmутí vrtáku

Pro vrtákové sklíčidlo s klíčem sklíčidla (Obr. 1)

- (1) Rozevřete čelisti sklíčidla a vložte vrták do sklíčidla.
- (2) Vsuňte klíč sklíčidla do kteréhokoliv ze tří otvorů ve sklíčidle a otáčejte jím ve směru otáčení hodinových ručiček (v pohledu zepředu). Pevně sklíčidlo utáhněte.
- (3) Chcete-li vrták vyjmout, vsuňte klíč sklíčidla do jednoho z otvorů ve sklíčidle a otáčejte jím proti směru otáčení hodinových ručiček.

U sklíčidel bez klíče (Obr. 2)

- (1) Otevřete čelisti sklíčidla a vložte do něj vrták. Čelisti sklíčidla otevřete tak, že podržte kroužek a otočíte pouzdem proti směru hodinových ručiček (při pohledu z přední strany).
 - (2) Pevně uchopíte kroužek a otočíte pouzdem po směru hodinových ručiček. Pečlivě dotáhněte.
 - (3) Vyjmutí vrtáku provedete tak, že pevně uchopíte kroužek a otočíte pouzdem proti směru hodinových ručiček.
 - (4) Jestliže objímku již nelze uvolnit, upevněte boční držadlo k zádržnému kroužku, přidržte pevně boční držadlo, potom rukou objímku uvolněte (Obr. 3).
- 6. Zkontrolujte nastavený směr otáčení (Obr. 4)**
Vrták se otáčí po směru hodinových ručiček (pohled zezadu), stiskneme-li stranu tlačítka označenou písmenem R.
Po stisknutí strany tlačítka označené písmenem L se vrták otáčí proti směru hodinových ručiček.
(Znamínka (L) a (R) jsou pouze na pouzdrů zařízení.)

POZOR


Při práci s příklepem používejte příklepový vrták vždy při rotaci po směru hodinových ručiček.

7. Upevnění bočního držadla (Obr. 5)

- Připevněte boční držadlo na úchyt.
Otáčením bočního držadla po směru hodinových ručiček je zajistěte na úchytu.
Nastavte boční držadlo do polohy vhodné k práci a poté pevně utáhněte úchyt bočního držadla.
Chcete-li na boční držadlo připevnit měřítko hloubky, zasuňte měřítko do drážky tvaru U na bočním držadle, nastavte jeho polohu podle požadované hloubky otvoru a pevně utáhněte úchyt bočního držadla (Obr. 6).

8. Přepnutí z režimu PŘÍKLEP do režimu ROTACE (Obr. 7)

- Přepnutí z režimu PŘÍKLEP (rotace a příklep) do režimu ROTACE (pouze rotace) je snadné – pomocí nastavením přepínače z pravé do levé polohy.
Při vrtání do tvrdých materiálů jako beton, kámen a obkladačky nastavte přepínač do pravé polohy (vyznačené znamínkem **T**).

Vrták pracuje v kombinaci přiklepu a rotace. Při vrtání otvorů v kovu, dřevu a plastech nastavte přepínač do levé polohy (vyznačené znamínkem ). Vrták pracuje pouze rotací, jako u konvenční elektrické vrtačky.

POZOR

- Nepoužívejte přiklepovou vrtačku v režimu PŘÍKLEP v případě, že materiál lze vrtat pouze rotací. V takovém případě může příklepový režim nejen snížit účinnost vrtačky, ale také poškodit špičku vrtáku.
- Funkce příklepové vrtačky s přepínačem ve střední poloze může vést k jejímu poškození. Při přepínání dbejte na to, abyste přepínač přepínali do správné polohy.

9. Připevnění háku. (Volitelné příslušenství) (Obr. 8)

K připevnění háku (A) je nutné demontovat část rukojeti, která zakrývá elektrický systém nástroje. K zajištění trvalé bezpečnosti a ochrany před úrazem elektrickým proudem by mělo být připevnění háku (A) na této vrtačce provedeno VÝHRADNĚ Autorizované servisní středisko Hitachi.

POZOR:

Pokud používáte nástroj s připevněným hákem, věnujte pozornost následujícím pokynům:

- Před zavěšením nástroje na opasek se ujistěte, že vrtačka se zcela přestala otáčet. Pokud máte nástroj zavěšený na opasku, napájecí zástrčka musí být odpojena od zdroje.
- Nepřecházejte s nástrojem zavěšeným na opasku.
- V případě používání na vysokém místě hrozí nebezpečí náhodného upuštění nástroje. Pokud dojde k deformaci háku nebo k zavěšení nástroje v nevhodné poloze, existuje nebezpečí, že hák vyklouzne a nástroj spadne. Pracujte opatrně a vyhýbejte se nebezpečným situacím.
- Při vrtání otvorů se někdy nástroj silně zachvěje v okamžiku, kdy dojde k prorazení skrz obrobek. Proto buďte opatrní, abyste se v takovém případě o hák nezranili.

JAK POUŽÍVAT PŘÍKLEPOVOU VRTAČKU

1. Funkce spínače

- Po stisknutí spouští se zařízení otáčí. Po uvolnění spouští se zařízení zastaví.
- Rychlost rotace vrtačky lze ovládat mírou stisknutí spouští. Při malém stisknutí spouští je rychlost nízká a zvyšuje se při silnějším stisknutí spouští.
- Požadovanou rychlost otáčení lze předvolit číselníkem nastavování rychlosti. Při otáčení číselníku rychlosti po směru hodinových ručiček se rychlost zvyšuje a při otáčení proti směru hodinových ručiček se rychlost snižuje (**Obr. 9**).
- Při stisknutí spouští a následném stisknutí záračky zůstane zařízení v režimu zapnuto, což je výhodné pro déletrvající práci. Při vypínání je možno záračku vypnout opětovným stiskem spouští.

2. Použití jako vrtačka nebo příklepová vrtačka

- (1) Přítlačná síla vrtačky
Otvory nevyvrtáte rychleji, pokud tlačíte na vrtačku větší silou, než je potřebné. Tím se nejen poškozuje hrot vrtáku a snižuje se účinnost vrtání, ale zkracuje se také životnost hrotu vrtáku.
- (2) Vrtání průchozích otvorů
Při průniku vrtaného materiálu se mohou vrtáky zlomit. Před průnikem je důležité snížit přítlačnou sílu.

UPOZORNĚNÍ

Při nepřetržitém chodu nechejte vrtačku po dokončení vrtání v chodu bez zatížení po dobu pěti vteřin.

- (3) Použití vrtáku velkého průměru
Pokud se používá vrták většího průměru, na Vaši ruku působí větší reakční síla. Při působení reakční síly zajistěte, abyste se při práci nepohnuli. Toho lze dosáhnout opřením nohou a pevným uchopením nářadí oběma rukama kolmo k vrtanému materiálu.

ÚDRŽBA A KONTROLA

1. Kontrola vrtáků

Používání opotřebovaných vrtáků způsobuje špatnou funkci motoru a snižuje účinnost. Proto zjistěte-li opotřebení vrtáků, vyměňte je neprodleně za nové nebo nabroušené.

2. Kontrola šroubů

Pravidelně zkontrolujte všechny šrouby a ujistěte se, že jsou správně utažené. Pokud najdete některé šrouby uvolněné, ihned je utáhněte. Neutažené šrouby mohou vést k vážnému riziku.

3. Údržba motoru

Vinutí motoru je srdce zařízení. Ujistěte se, že vinutí není poškozené nebo vlhké vodou nebo olejem.

4. Kontrola uhlíkových kartáčků

V zájmu zachování bezpečnosti a ochrany před úrazem elektrickým proudem by kontrolu a výměnu uhlíkových kartáčků tohoto zařízení mělo provádět POUZE Autorizované Servisní Středisko Hitachi.

5. Seznam servisních položek

- A: Číslo položky
- B: Kód položky
- C: Číslo použití
- D: Poznámky

POZOR

Opravy, modifikace a kontroly zařízení Hitachi musí provádět Autorizované servisní středisko Hitachi.

Tento seznam servisních položek bude užitečný, předložíte-li jej s vaším zařízením Autorizovanému servisnímu středisku Hitachi společně s požadavkem na opravu nebo další servis.

Při obsluze a údržbě elektrických zařízení musí být dodržovány bezpečnostní předpisy a normy platné v každé zemi, kde je výrobek používán.

MODIFIKACE

Výrobky firmy Hitachi jsou neustále zdokonalovány a modifikovány tak, aby se zavedly nejposlednější výsledky výzkumu a vývoje.

Následně, některé díly (např. čísla kódů nebo návrh) mohou být změněny bez předeslého oznámení.

POZNÁMKA

Z důvodu stále pokračujícího výzkumného a vývojového programu HITACHI mohou zde uvedené parametry podléhat změnám bez předchozího upozornění.

Informace o hluku šířeném vzduchem a vibracích

Naměřené hodnoty byly stanoveny podle normy EN 50144.

Nominální A-vážený akustický tlak: 99 dB (A).

Nominální A-vážená úroveň akustického výkonu: 112 dB (A).

Při práci používejte prostředky ochrany sluchu.

Nominální vážené zrychlení (kvadratický průměr): 10,5 m/s².

KULLANIMLA İLGİLİ GENEL ÖNLEMLER

DİKKAT! Elektrikli el aletleri kullanılırken, elektrik çarpması, yaralanma ve yangına karşı korunmak üzere aşağıdaki temel güvenlik önlemlerine uyulmalıdır.

Aleti kullanmadan önce bu kılavuzu okuyun ve talimatlarla uyun.

Güvenli bir kullanım için:

1. Çalışma ortamını temiz tutun. Dağınık ve düzensiz alanlar yaralanmaya yol açabilir.
2. Çalışma yapılan ortamın çevresine dikkat edin. Aleti yağmura maruz bırakmayın, rutubetli veya ıslak yerlerde kullanmayın. Çalışma alanının iyi bir şekilde aydınlatılmasını sağlayın. Elektrikli el aletlerini yangın veya patlama tehlikesi olan ortamlarda kullanmayın.
3. Elektrik çarpmasına karşı korunun. Topraklanmış yüzeylerle (borular, radyatörler, fırınlar, buzdolapları gibi) temastan kaçınin.
4. Çocukları uzak tutun. Başkalarının alete veya uzatma kablosuna dokunmalarına izin vermeyin. Çalışanların haricindeki kişilerin çalışma sahasından uzak tutulması gerekir.
5. Kullanılmayan aletleri çocukların ulaşamayacağı kuru, yüksek bir yere kaldırın veya kilitle bir yerde saklayın.
6. Aleti zorlamayın. En iyi ve güvenilir sonucu aletin tasarlandığı şekilde kullanılmasından elde edileceğini unutmayın.
7. Doğru aleti kullandığınızdan emin olun. Küçük bir aleti ağır bir iş için zorlamayın. Hiçbir aleti amacı dışında kullanmayın. (Örneğin dairesel testereyi ağaç kesmek için kullanmak gibi.)
8. Çalışma giysilerinize dikkat edin. Bol giysiler ve takılar gibi aletin hareketli parçalarına kapılabilecek giysiler giymeyin. Açık alanlarda çalışırken lastik eldiven ve kaymayan ayakkabıların kullanılması tavsiye edilir. Ayrıca uzun saçları içine alan koruyucu başlık kullanın.
9. Koruyucu gözlük kullanın. Eğer toz çıkaran bir çalışma yapıyorsanız, yüz ya da toz maskesi kullanın.
10. Toz toplama teçhizatı kullanın. Toz toplama bağlantısı için gerekli teçhizat ve bağlantı araçları sağlanmışsa, bunların bağlı olduğundan ve doğru şekilde kullanıldığından emin olun.
11. Kabloyu yanlış yerlerde kullanmayın. Aleti asla kablosundan tutarak taşımayın veya hızla prizden çekmeyin. Kabloyu kesici cisimlerden, sıcak yüzeylerden ve yağdan uzak tutun.
12. Güvenli bir şekilde çalışın. İş elinizle değil, kısıkaç veya mengene kullanarak tutun. Bu, ellerinizi kullanmanızdan daha güvenlidir; ayrıca boşta kalan iki elinizi de aleti çalıştırmak için kullanabilirsiniz.
13. Fazla uzanmayın. Ayaklarınızın konumuna ve dengeye her zaman dikkat edin.
14. Aletleri korumaya özen gösterin. Daha yüksek performans elde etmek ve güvenliğinizi için aletleri keskin ve temiz tutun. Yağlama ve aksesuar değişimlerinde talimatlara uyun. Kabloları düzenli olarak kontrol edin ve zarar görmüş olanları yetkili servislerde tamir ettirin. Uzatma kablolarını da düzenli aralıklarla kontrol edip hasarlı olan varsa değiştirin. Tutma kollarını kuru, temiz ve yağsız tutun.
15. Kullanmadığınız zamanlarda; bıçak, keski gibi aksesuar değişimlerinde ve tamirat öncesi aletin elektrik bağlantısını kesin.

16. Aleti çalıştırmadan önce ayar anahtarlarının çıkartılmış olup olmadığını kontrol etmeyi alışkanlık haline getirin. Çıkartılmamışsa çıkarın.
17. Aletin istek dışı çalışmasını engelleyin. Elektrik bağlantısı olan aleti parmağınız şalter üzerinde olduğu halde taşımayın. Fişi takmadan aletin kapalı olduğuna emin olun.
18. Açık alandaki çalışmalar için sadece açık alana özel uzatma kablosu kullanın.
19. Daima tetikte olun. Ne yaptığının farkında olun ve duyarlı olun. Aleti yorgunken çalıştırmayın.
20. Aletinizin hasarlı olup olmadığını kontrol edin. Aletle yeni bir işe başlamadan önce; koruyucu tertibatların veya hafif hasarlı parçaların işlevlerini kusursuz ve usulüne uygun bir biçimde yerine getirip getirmediğinizi kontrol edin. Hareketli parçaların hizalı olup olmadığını, sıkışıp sıkışmadıklarını veya hasarlı olup olmadığını kontrol edin. Kullanım kılavuzunda başka türlü belirtilmemişse; hasar görmüş koruyucu tertibat ve parçalar bir yetkili servis tarafından usulüne uygun olarak onarılmı veya değiştirilmelidir. Hasarlı şalterler de yetkili servis tarafından yenilenmelidir. Şalterlerin kapama/açma işlevini yerine getirmediği bir aleti kullanmayın.
21. Dikkat
Bu talimatlarda belirtilenler dışında aksesuarların veya parçaların kullanılması, yaralanmalara yol açabilir.
22. Aletin yalnızca vasıflı bir kişi tarafından tamir edilmesini sağlayın. Bu elektrikli alet, ilgili güvenlik gerekliliklerine uygundur. Tamiratlar yalnızca yetkili servis tarafından orijinal yedek parçalar kullanılarak yapılmalıdır. Aksi halde kullanıcı açısından büyük tehlikeler doğabilir.

DARBELİ MATKABI KULLANIRKEN ALINACAK ÖNLEMLER

1. Duvarlar, tavanlar ya da zeminler üzerinde delme işi yapmadan önce deldiğiniz yerin arkasında elektrik kablosu olmadığından emin olun.
2. DARBELİ kipi kullanarak beton veya benzeri sert cisimlerde delik açarken, basma düğmesinin R- tarafına basın (**Şekil. 10**).

ÖZELLİKLER

Voltaj (alanlara göre)*		(110V, 220V, 230V, 240V) ~
Güç girişi		590 W*
Yüksüz hız		0 – 2900 dak ⁻¹
Mandren kapasitesi		13 mm
Kapasite	Çelik	13 mm
	Beton	16 mm
	Tahta	25 mm
Tam yüklü darbe oranı		34500 dak ⁻¹
Ağırlık (kablosuz)		1,5 kg

*Bölgelere göre değişiklik gösterdiğinden ürün üzerindeki etiketi kontrol edin.

STANDART AKSESUARLAR

- (1) Mandren Anahtarı (Yalnızca mandren anahtarının girebileceği mandren oluklu aletler için) 1
 - (2) Yan kol 1
 - (3) Derinlik ölçme aleti 1
 - (4) Plastik kutu 1
- Standart aksesuarlarda haber verilmeksizin değişiklik yapılabilir.

İSTEĞE BAĞLI AKSESUARLAR (ayrı satılır)

- (1) Darbeli Matkap Ucu (beton için)
3,2 mm – 20 mm çap.
- (2) Askı (A)
İsteğe bağlı aksesuarlarda haber verilmeksizin değişiklik yapılabilir.

UYGULAMALAR

- DEVR ve DARBE hareketi birlikte:
Sert malzemelerde delik açma (beton, mermer, granit, karolar gibi)
- DEVR hareketi ile:
Metal, tahta ve plastik malzemelerde delik açma.

İŞLEMEN ÖNCE

1. **Güç kaynağı**
Kullanılacak güç kaynağının ürün etiketinde belirtilen güç şartlarına uygun olduğundan emin olun.
2. **Güç anahtarı**
Güç anahtarının KAPALI konumunda olduğundan emin olun. Güç anahtarı AÇIK konumundayken fiş prize takıldığında takım hemen çalışmaya başlar ve ciddi kazalara neden olabilir.
3. **Uzatma kablosu**
Çalışma alanı güç kaynağından uzak olduğunda yeterli kalınlık ve kapasitede bir uzatma kablosu kullanın. Uzatma kablosu mümkün olduğunca kısa tutulmalıdır.
4. **Uygun matkap ucunu seçme**
 - Beton ya da taş delerken
İsteğe Bağlı Aksesuarlar kısmında belirtilen matkap uçlarını kullanın.
 - Metal ya da plastik delerken
Metal ileri için kullanılan normal matkap ucu kullanın.
 - Tahta delerken
Tahta işleri için kullanılan normal matkap ucu kullanın.

Ancak, 6,5 mm ya da bundan daha küçük çapta delikler delerken metal işleri için kullanılan bir matkap ucu kullanın.

5. Matkap ucunun takılması ve sökülmesi

Mandren anahtarını matkap mandreni için (Şekil. 1)

- (1) Mandren azn açın ve matkap ucunu mandrenin içine yerleştirin.
- (2) Mandren anahtarını mandrendeki deliğin her birine yerletirin ve saat yönünde çevirin (önden görünüm). İyice sıkın.
- (3) Matkap ucunu sökmek için mandren anahtarını mandrendeki deliklerden birine takın ve saatin ters yönünde çevirin.

Anahtarsız mandren için (Şekil. 2)

- (1) Mandren ağızlarını açın ve ucu mandrene yerleştirin. Mandren ağızlarını açmak için segmanı saatin ters yönünde (önden bakıldığında) çevirirken halkayı tutun.
 - (2) Halkayı sıkıca kavrayın ve segmanı saat yönünde çevirin. İyice sıkıştırın.
 - (3) Ucu çıkarmak için halkayı sıkıca kavrayın ve segmanı saatin ters yönünde çevirin.
 - (4) Manşon daha fazla gevşemediğinde yan kolu, tutucu halkaya sabitleyin, kolu sıkıca tutun ve elle gevşetmek için manşonu çevirin (Şekil. 3).
6. **Dönme yönünün kontrol edilmesi (Şekil. 4)**
İtme düğmesinin R tarafına basıldığında matkap ucu saat yönünde döner (yandan bakıldığında). İtme düğmesinin L tarafına basıldığında matkap ucu saat yönünün tersine döner.
(L) ve (R) işaretleri matkap gövdesinde yer alır.)

DİKKAT

Darbeli matkabı darbeli delme işlerinde her zaman saat yönünde devirle kullanın.

7. Yan kolu takma (Şekil. 5)

- Yan kolu montaj parçasına takın.
Kolu sıkıca için saat yönünde çevirin.
Yan kolu yapılacak işleme uygun bir konuma ayarlayın ve iyice sıkın.
Derinlik ölçme aletini yan kola takmak için aleti yan kolda bulunan U şeklindeki oluğa yerleştirin, istenen delik derinliğine göre aleti ayarlayın ve yan kolu iyice sıkın (Şekil. 6).

8. DARBELİDEN DEVİRLİ çalışmaya geçiş (Şekil. 7)

Değiştirme kolunu sağ sol arasında kaydırarak DARBELİ (devirli ve darbeli) çalışmayla DEVİRLİ (yalnızca devirli) çalışma arasında kolayca geçiş yapabilirsiniz.
Beton, taş ve karo gibi sert malzemelerde delik açmak için değiştirme kolunu sağa kaydırın (T işareti ile belirtilen).

Matkap ucu darbe ve dönme hareketini birlikte gerçekleştirir. Metal, tahta ve plastik gibi malzemelerde delik açmak için değiştirme kolunu sola kaydırın (2) işareti ile belirtilen). Matkap ucu elektrikli normal matkaplarda olduğu gibi yalnızca dönme hareketi yapar.

DİKKAT

- Delinecek malzeme yalnızca dönme hareketiyle delinebiliyorsa Darbeli Matkabı DARBELİ seçeneğinde kullanmayın. Bu, delme işlemi verimsiz kılma kalmayıp matkap ucunun zarar görmesine de neden olabilir.
- Darbeli Matkabı değiştirme kolu ortadayken çalıştırılmaz matkap zarar görebilir. Değiştirme yaparken kolu doğru konuma getirdiğinizden emin olun.

9. Askının takılması (İsteğe bağlı aksesuar) (Şekil. 8)

Askıyı (A) takmak için, aletin elektrik sistemini örten sap bölümünü sökmek gerekir. Kendi güvenliğiniz ve elektrik çarpmasına karşı korunmanız için bu matkapta askı (A) sadece Hitachi yetkili Servis Merkezi tarafından takılmalıdır.

DİKKAT

Alet, askı takılı olarak kullanıldığında aşağıdaki hususlara dikkat edin:

- Ana üniteyi bel kayışına asmadan önce matkabın tamamen durduğundan emin olun. Bel kayışına asılıyken, fişin güç kaynağından sökülmüş olması gerekir.
- Alet bel kayışına asılıyken dolaşmayın.
- Yüksek bir yerde çalışırken aletin yanlışlıkla düşürülmesi tehlikeli olabilir. Askı deforme olmuşsa veya yanlış yerden asılmışsa, askının kayması ve aletin düşmesi tehlikesi vardır. Tehlikelerden kaçınmaya özen gösterin.
- İki tarafı açık bir delik açarken, örneğin, üzerinde çalıştığınız parça delindiğinde alet bazen şiddetli bir şekilde sallanır. Böyle bir durumda askının sizi yaralamasına özen gösterin.

KULLANIM

1. Düğmelerin kullanımı

- Tetiğe basıldığında takım dönmeye başlar. Tetik bırakıldığında takımın dönmeye durur.
- Matkabın dönme hızı tetiğe basma şiddetiyle kontrol edilebilir. Tetiğe hafif basıldığında hız düşük, sert basıldığında ise yüksek olur.
- İstenilen dönme hızı hız kontrol düğmesi yardımıyla önceden seçilebilir. Daha yüksek hızlar için hız kontrol düğmesini saat yönünde, daha düşük hızlar için ise saat yönünün tersine çevirin (Şekil. 9).
- Tetiğe ve derinlik mesnedine aynı anda bastığınızda açık konumu korunur. Sürekli çalışma için bu konum uygundur. Kapatırken tetiğe basmak suretiyle derinlik mesnedi çıkartılabilir.

2. Matkap veya Darbeli Matkap olarak kullanımı

- (1) Matkaba uygulanacak yük kuvveti Matkaba gereğinde fazla kuvvetle yüklensiniz de, delikleri daha hızlı açamazsınız. Bu sadece matkap ucunun zarar görmesine ve de işlem verimliliğinin düşmesine neden olmakla kalmayıp, matkap ucunun kullanım ömrünü de azaltır.
- (2) Deliklerin içersine tamamen girmek gerekirse Malzemenin üzerinde açılacak deliğin içersine tamamen daldığı takdirde, matkap uçları kırılabilir. Bu yüzden,

matkap ucunu deliğin içersine tam olarak daldırmadan hemen önce uyguladığınız yüklenme kuvvetini azaltmanız önemlidir.

UYARI

Kesintisiz işletim için, bir delik açma işini tamamladıktan sonra 5 saniye süresince yüksüz olarak işletin.

- (3) Kalın bir matkap ucu kullanıldığında Kalın bir matkap ucunun kullanıldığı durumlarda, kolunuz daha kuvvetli bir geri tepme gücü ile karşı karşıyadır. Bu geri tepme kuvveti karşısında kolunuzu oynatmamaya özen gösterin. Bunu da yapabilmek için, ayaklarınızı yere sağlam basıp, aleti iki elinizle sıkıca delik açılacak yüzeye dikey pozisyonda tutmanız gerekir.

BAKIM VE GÖZDEN GEÇİRME

1. Matkap uçlarının gözden geçirilmesi

Aşınmış matkap uçlarının kullanılması motorun zarar görmesine ve verimin azalmasına neden olacağından matkap uçlarını yenileriyle değiştirin ya da aşınmayı fark ettiğinizde gecikmeden uçları keskinleştirin.

2. Montaj vidalarının gözden geçirilmesi

Tüm montaj vidalarını düzenli olarak kontrol edin ve gerekli sıklıkta olduklarından emin olun. Vidalardan herhangi biri gevşek ise hemen sıkın. Bunu yapmadığınız takdirde ciddi hasarlar meydana gelebilir.

3. Motorun bakımı

Dönme hareketini sağlayan motor, takımın "bel kemiğidir". Motorun hasar görmesini ve/veya yağ ya da su ile ıslanmasını önlemek için gerekli bakımı yapın.

4. Karbon fırçaların gözden geçirilmesi

Güvenliğinizi sağlamak için ve elektrik şokuna karşı koruma sağlamak amacıyla bu takım üzerindeki karbon fırçaların gözden geçirilmesi ve değiştirilmesi YALNIZCA Hitachi yetkili Servis Merkezi tarafından yapılmalıdır.

5. Servis parçaları listesi

- A: Parça no.
- B: Kod no.
- C: Kullanılan sayı
- D: Açıklamalar

DİKKAT

Hitachi Güç Takımlarının onarımı, modifikasyonu ve gözden geçirilmesi Hitachi yetkili Servis Merkezi tarafından yapılmalıdır.

Hitachi yetkili Servis Merkezine tamir ya da bakım amacıyla başvurulduğunda Parça Listesinin takım ile birlikte verilmesi faydalı olacaktır.

Güç takımlarının çalıştırılması ve bakımlarının yapılması esnasında her ülke için belirtilen güvenlik düzenlemelerine ve standartlarına uyulması gerekmektedir.

DEĞİŞİKLİKLER

Hitachi Ağır İş Aletleri en son teknolojik ilerlemelere uygun olarak sürekli değiştirilmekte ve geliştirilmektedir. Dolayısıyla, bazı kısımlarda (örneğin kod numaraları ve/veya tasarım gibi) önceden bildirilmeden değişiklik yapılabilir.

NOT

HITACHI'nin sürdürdüğü araştırma ve geliştirme programının bir parçası olarak burada belirtilen özellikler önceden haber verilmeksizin değiştirilebilir.

Havadan yayılan gürültü ve titreşimle ilgili bilgiler

Ölçülen değerler EN50144'e göre belirlenmiştir.

Tipik A ağırlıklı ses basıncı düzeyi: 99 dB (A).

Tipik A ağırlıklı ses gücü düzeyi: 112 dB (A).

Kulaklık kullanın.

Tipik ağırlıklı karekök ortalama hızlanma
değeri: 10,5 m/s².

ОБЩИЕ ПРАВИЛА ПО ТЕХНИКЕ БЕЗОПАСНОСТИ

ПРЕДУПРЕЖДЕНИЕ! Перед использованием электроинструментов должны быть приняты все необходимые меры предосторожности для того, чтобы уменьшить степень риска возгорания, удара электрическим током и снизить вероятность повреждения корпуса инструмента. Эти меры предосторожности включают в себя нижеперечисленные пункты.

Внимательно прочтите все указания, прежде чем Вы попытаетесь использовать инструмент, и сохраните их. Для безопасного использования:

1. Поддерживайте чистоту и порядок на рабочем месте. Любая помеха на рабочем месте или на рабочем столе может стать причиной травмы.
2. Принимайте во внимание окружающую рабочую обстановку. Не работайте с электроинструментом под дождем. Не используйте электроинструмент в помещениях с повышенной влажностью. Поддерживайте хорошее освещение на рабочем месте. Не работайте инструментом при наличии рядом легковоспламеняющихся жидкостей или газов.
3. Остерегайтесь удара электрическим током. Не касайтесь заземленных поверхностей. Например, трубопроводов, радиаторов, кухонных плит, корпусов холодильников.
4. Во время работы с инструментом не разрешайте детям находиться поблизости. Не позволяйте посторонним дотрагиваться до инструмента или удлинителя. Посторонние лица не должны находиться на рабочей площадке.
5. Закончив работу, сдавайте инструмент на хранение. Место для хранения инструмента должно быть сухим, высоко расположенным или запираемым на замок. Дети не должны иметь возможности самостоятельно добраться до инструмента.
6. Не вмешивайтесь в работу машины, прикладывая излишнюю силу. Работа выполняется лучше и безопасней, если инструмент эксплуатируется с штатной скоростью.
7. Правильно выбирайте инструмент для каждой конкретной работы. Не пытайтесь сделать маломощным инструментом работу, которая предназначена для высокомоощного инструмента. Не используйте инструмент в целях, для которых он не предназначен. Например, не используйте циркулярной пилой для обрезания веток деревьев или резки бревен.
8. Обратите внимание на выбор рабочей одежды. Не надевайте просторную одежду или драгоценности, т.к. они могут быть захвачены движущимися частями инструмента. На время работы вне помещений рекомендуется надевать резиновые перчатки и ботинки с нескользкой подошвой. Уложите длинные волосы под головным убором.
9. Пользуйтесь защитными очками. Одевайте маску для лица или маску против пыли, если при резке материала выделяется пыль.
10. Используйте оборудование для отвода пыли и грязи. Убедитесь, что Вы используете правильные устройства для присоединения подобного оборудования.
11. Не допускайте порчи электрошнура. Никогда не переносите инструмент, держа его за шнур. Не дергайте за шнур с целью вынуть вилку из розетки. Оберегайте шнур от воздействия нагрева, смазочных материалов и предметов с острыми краями.
12. Перед началом работы закрепите обрабатываемую деталь в тисках. Это безопасней, чем держать заготовку в руке, а также освобождает обе руки для работы с инструментом.

13. Будьте начеку. Постоянно имейте хорошую точку опоры и не теряйте равновесия.
14. Внимательно относитесь к техническому обслуживанию инструмента и его ремонту. Для достижения лучших рабочих характеристик и обеспечения большей безопасности при работе осторожно обращайтесь с инструментом и содержите его в чистоте. При смазке и замене аксессуаров следуйте указаниям в соответствующих инструкциях. Периодически осматривайте электрошнур инструмента и в случае его повреждения отремонтируйте его в полномочном сервисном центре. Периодически осматривайте удлинители и в случае повреждения производите их замену. Рукоятки инструмента должны быть сухими и чистыми, не пакайте их смазочными материалами. Выньте вилку электрошнура из розетки, если инструмент не используется, перед началом техобслуживания, а также перед заменой аксессуаров (ножей, сверл, фрез).
15. Выньте все регулировочные и гаечные ключи. Возьмите себе за правило, перед тем как включить инструмент, проверять все ли ключи вынуты из него.
16. Избегайте неожиданного запуска двигателя. Не переносите подключенный к электросети инструмент, держа палец на переключателе. Перед тем как вставить штепсель в розетку убедитесь, что переключатель находится в положении "Выкл."
17. Работая вне помещения, пользуйтесь удлинителями. В этом случае используйте только те удлинители, что предназначены для работы на улице. Они имеют соответствующую маркировку.
18. Будьте бдительны. Следите за тем, что вы делаете. Придерживайтесь здравого смысла. Если вы устали, не работайте с инструментом.
19. Проверьте поврежденные детали. Прежде чем продолжить эксплуатацию инструмента, следует тщательно проверить защитный кожух или иные детали, которые имеют повреждения с целью установить, что они в рабочем состоянии и выполняют предназначенную им функцию. Проверьте юстировку и скрепление движущихся деталей, исправность деталей, правильность сборки и любые другие параметры что могут повлиять на их работу. Защитный кожух или другую деталь, которые повреждены, необходимо как следует отремонтировать или заменить в полномочном сервисном центре, если иное не указано в инструкции по эксплуатации. Неисправные переключатели замените в полномочном сервисном центре. Не работайте с инструментом с неисправным переключателем "Вкл.\ Выкл."
20. Внимание. С целью избежания травмы используйте только те аксессуары или устройства, что указаны в этих инструкциях по эксплуатации или в каталоге фирмы HITACHI.
21. Ремонт должен осуществляться только в полномочном сервисном центре с использованием только оригинальных запасных деталей HITACHI. В противном случае возможно нанесение серьезного вреда здоровью пользователя.

МЕРЫ ПРЕДОСТОРОЖНОСТИ ПРИ ИСПОЛЬЗОВАНИИ УДАРНОЙ ДРЕЛИ

1. Перед тем, как сверлить стены, потолки или полы, убедитесь в отсутствии скрытых в них электрических проводов.
2. При сверлении бетонных или подобных твердых материалов в режиме УДАРА, нажмите сторону R нажимной кнопки (Рис. 10).

ХАРАКТЕРИСТИКИ

Напряжение (по регионам)*	(110 В, 220 В, 230 В, 240 В) ~	
Потребляемая мощность	590 Вт*	
Скорость без нагрузки	0 – 2900 об. мин. ⁻¹	
Производительность зажимного патрона сверла	13 мм	
Мощность	Сталь	13 мм
	Бетон	16 мм
	Дерево	25 мм
Скорость ударов при полной нагрузке	34500 об. мин. ⁻¹	
Масса (без шнура)	1,5 кг	

*Обязательно проверьте паспортную табличку на изделии, поскольку для разных регионов оно различно.

СТАНДАРТНЫЕ ПРИНАДЛЕЖНОСТИ

- (1) Ключ патрона (Тех. характеристики только для зажимного патрона, к которому подходит ключ патрона) 1
 (2) Боковая рукоятка 1
 (3) Ограничитель глубины 1
 (4) Пластмассовый чемодан 1
 Стандартные принадлежности могут изменяться без уведомления.

ДОПОЛНИТЕЛЬНЫЕ ПРИНАДЛЕЖНОСТИ (продаются отдельно)

- (1) Ударное сверло (для бетона)
 диам. 3,2 мм – 20 мм
 (2) Крючок (А)
 Дополнительные принадлежности могут изменяться без уведомления.

ОБЛАСТЬ ПРИМЕНЕНИЯ

- При совместном использовании ВРАЩАТЕЛЬНОГО и УДАРНОГО действия:
 Сверление отверстий в твердых материалах (бетон, мрамор, гранит, кафель и т.п.)
- С использованием ВРАЩАТЕЛЬНОГО действия:
 Сверление отверстий в металлах, дереве и пластмассе.

ПОДГОТОВКА К ЭКСПЛУАТАЦИИ

1. Источник электропитания

Проследите за тем, чтобы используемый источник электропитания соответствовал требованиям к источнику электропитания, указанному на паспортной табличке изделия.

2. Переключатель питания

Убедитесь в том, что переключатель питания находится в положении OFF (Выкл.). Если вставить штепсель в розетку, когда переключатель питания находится в положении ON (Вкл.), инструмент сразу начнет работать, что может стать причиной серьезной травмы.

3. Удлинитель

Когда рабочая область удалена от источника питания, пользуйтесь удлинителем достаточной площади поперечного сечения и номинальной нагрузки. Удлинитель должен быть как можно более коротким.

4. Выбор подходящего сверла

- При сверлении бетона или камня
 Используйте сверла, указанные в пункте Дополнительные принадлежности.
- При сверлении металла или пластмассы
 Используйте обычное сверло для работ по металлу.
- При сверлении дерева
 Используйте обычное сверло для работ по дереву. Однако при сверлении отверстий диаметром 6,5 мм или менее используйте сверло для работ по металлу.

5. Установка и снятие сверла

Для патрона дрели с ключом патрона (Рис. 1)

- (1) Раскройте губки патрона и вставьте сверло в патрон.
- (2) Вставьте ключ патрона в каждое из трех отверстий патрона и поверните его по часовой стрелке (если смотреть спереди). Туго затяните его.
- (3) Чтобы вынуть сверло, вставьте ключ патрона в каждое из трех отверстий патрона и поверните его против часовой стрелки.

Для патрона без ключа (Рис. 2)

- (1) Откройте кулачки зажимного патрона и вставьте сверло в зажимной патрон.
 Для того чтобы открыть кулачки зажимного патрона, удерживайте кольцо в то время, когда поворачиваете обод в направлении против часовой стрелки (если смотреть спереди).
- (2) Крепко держите кольцо и поверните обод в направлении по часовой стрелке. Надежно затяните.
- (3) Для снятия сверла, крепко держите кольцо и поверните обод в направлении против часовой стрелки.
- (4) Если муфта не будет разъединяться, прикрепите боковую рукоятку к фиксирующему кольцу, возьмитесь плотно за боковую рукоятку, затем поверните муфту рукой, чтобы разъединить ее (Рис. 3).

6. Проверьте направление вращения (Рис. 4)

Сверло вращается по часовой стрелке (если смотреть сзади), когда кнопка нажата с правой стороны (R). Чтобы сверло вращалось против часовой стрелки, кнопку следует нажать с левой стороны (L). (Знаки (L) и (R) нанесены на корпус.)

ПРЕДОСТЕРЕЖЕНИЕ

Используя ударную дрель в ударном режиме, всегда применяйте вращение по часовой стрелке.

7. Как закрепить боковую рукоятку (Рис. 5)

Присоедините боковую рукоятку к крепежной детали. Чтобы закрепить боковую рукоятку, вращайте зажим боковой рукоятки по часовой стрелке. Установите боковую рукоятку, чтобы она была удобна в работе, а затем надежно затяните зажим боковой рукоятки.

Чтобы закрепить на боковой рукоятке ограничитель глубины, вставьте ограничитель глубины в П-образный паз боковой рукоятки, отрегулируйте положение ограничителя глубины в соответствии с необходимой глубиной отверстия и туго затяните зажим боковой рукоятки (Рис. 6).

8. Переключение с УДАРА на ВРАЩЕНИЕ (Рис. 7)

Чтобы легко изменить режим работы на УДАР (удар и вращение) или на ВРАЩЕНИЕ (только вращение), переведите рычаг изменения соответственно вправо и влево.

Чтобы сверлить отверстия в твердых материалах, например бетоне, камне или кафеле, переведите рычаг изменения в правое положение (помеченное знаком **T**).

Ударное и вращательное действия сверла совмещаются.

Чтобы сверлить отверстия в металле, дереве и пластмассе, переведите рычаг изменения в левое положение (помеченное знаком **M**). Тогда сверло совершает только вращательное движение, как в случае с обычной электродрелью.

ПРЕДОСТЕРЕЖЕНИЕ

- Не используйте ударную дрель с функцией IMPACT (УДАР), если просверлить материал можно только в режиме вращения. Такое действие не только ухудшит качество сверла, но и может привести в негодность кончик сверла.
- Эксплуатация ударной дрели при среднем положении рычага изменения может привести к выходу ее из строя. При включении убедитесь, что Вы перевели рычаг изменения в правильное положение.

9. Прикрепление крючка (Дополнительная принадлежность) (Рис. 8)

Для того чтобы прикрепить крючок (А) необходимо снять участок рукоятки, который закрывает электрическую систему инструмента. С целью обеспечения Вашей безопасности и защиты от поражения электрическим током, установку крючка (А) на данную электродрель должны выполнять ТОЛЬКО специалисты авторизованного сервисного центра Hitachi.

ОСТОРОЖНО

При использовании электроинструмента с прикрепленным к нему крючком, обратите внимание на следующие пункты:

- Перед тем как повесить главный аппарат на поясной ремень, обязательно убедитесь в том, что электродрель полностью остановлена. В то время, когда электродрель свисает с поясного ремня, вилка должна быть отсоединена от источника питания.
- Не прохаживайтесь с электроинструментом, свисающим с поясного ремня.
- В случае работы на возвышении возникнет опасность непреднамеренно уронить инструмент.

Если крючок поврежден или электродрель свисает в неправильном положении, возникнет опасность соскальзывания крючка и падения инструмента. Будьте осторожны для того, чтобы избежать опасности.

- При сверлении сквозного отверстия электроинструмент иногда может очень сильно встряхнуть, например, когда обрабатываемая конструкция будет просверлена насквозь. Будьте осторожны, не пострадаете от крючка, если случится такая ситуация.

КАК ПОЛЬЗОВАТЬСЯ

1. Работа переключателя

- При нажатой пусковой кнопке инструмент вращается. При отпущенной пусковой кнопке инструмент останавливается.
- Скорость вращения сверла можно изменять мерой нажатия пусковой кнопки. При слабо нажатой пусковой кнопке скорость низкая, а при более сильном нажатии пусковой кнопки скорость увеличивается.
- Нужную скорость вращения можно заранее выбрать с помощью диска регулирования скорости. Для увеличения скорости поворачивайте диск регулирования по часовой стрелке, а для уменьшения скорости – против часовой стрелки (Рис. 9).
- Нажав стопор при нажатой пусковой кнопке, можно зафиксировать включенное состояние, удобное при непрерывной работе. При выключении стопор можно отключить, повторно нажав пусковую кнопку.

2. При использовании дрели в качестве ударной дрели

- (1) Нажмите сильно на дрель
Вы не сможете сверлить отверстия быстрее, даже если Вы нажмете на дрель сильнее, чем нужно. Это не только повредит наконечник сверла и уменьшит эффективность работы, но также сократит срок службы наконечника сверла.
- (2) В случае бурения отверстий
Наконечники сверл могут быть сломаны в случае проникания сверлильного материала. Важно уменьшить силу нажатия перед бурением отверстий.

ОСТОРОЖНО

В случае продолжительной работы выполните операцию без нагрузки в течение пяти секунд после завершения сверления.

- (3) При использовании толстого сверла
Ваша рука подвержена большей силе реакции при использовании более толстого сверла. Будьте осторожны, чтобы сила реакции не сдвинула Вас с места. С этой целью примите устойчивое положение, плотно держите устройство обеими руками перпендикулярно материалу, который Вы сверлите.

ОБСЛУЖИВАНИЕ И ПРОВЕРКА

1. Проверка сверла

Поскольку использование стертого сверла приводит к неэффективности двигателя и снижению эффективности, при выявлении стирания немедленно замените или заточите сверло.

2. Проверка крепежных винтов

Регулярно проверяйте все крепежные винты и старайтесь, чтобы они были хорошо затянуты. При ослаблении какого-либо винта немедленно затяните его. Если этого не сделать, может возникнуть серьезная опасность.

3. Обслуживание двигателя

Обмотка блока двигателя – это самое "сердце" инструмента. Выполняйте необходимый уход, чтобы обмотка не повредилась, не намокла в воде или масле.

4. Проверка угольных щеток

Чтобы обеспечить Вашу безопасность и защитить от поражения электрическим током, осмотр и замену угольных щеток этого инструмента следует проводить ТОЛЬКО в авторизованном сервисном центре Hitachi.

5. Порядок записей по техобслуживанию

A: Пункт №

B: Код №

C: Количество применений

D: Замечания

ПРЕДОСТЕРЕЖЕНИЕ:

Ремонт, модификацию и осмотр механизированного инструмента фирмы Hitachi следует проводить в авторизованном сервисном центре Hitachi.

Этот перечень запасных частей пригодится при представлении его вместе с инструментом в авторизованный сервисный центр Hitachi с запросом на ремонт или прочее обслуживание.

При работе и обслуживании механизированных инструментов нужно соблюдать правила и стандарты безопасности, действующие в каждой данной стране.

ЗАМЕЧАНИЕ

Фирма HITACHI непрерывно работает над усовершенствованием своих изделий, поэтому мы сохраняем за собой право на внесение изменений в технические характеристики, упомянутые в данной инструкции по эксплуатации, без предупреждения об этом.

ПРИМЕЧАНИЕ

Поскольку фирма Hitachi постоянно ведет программу исследования и развития, приведенные здесь характеристики могут изменяться без предварительного уведомления.

Информация, касающаяся создаваемого шума и вибрации

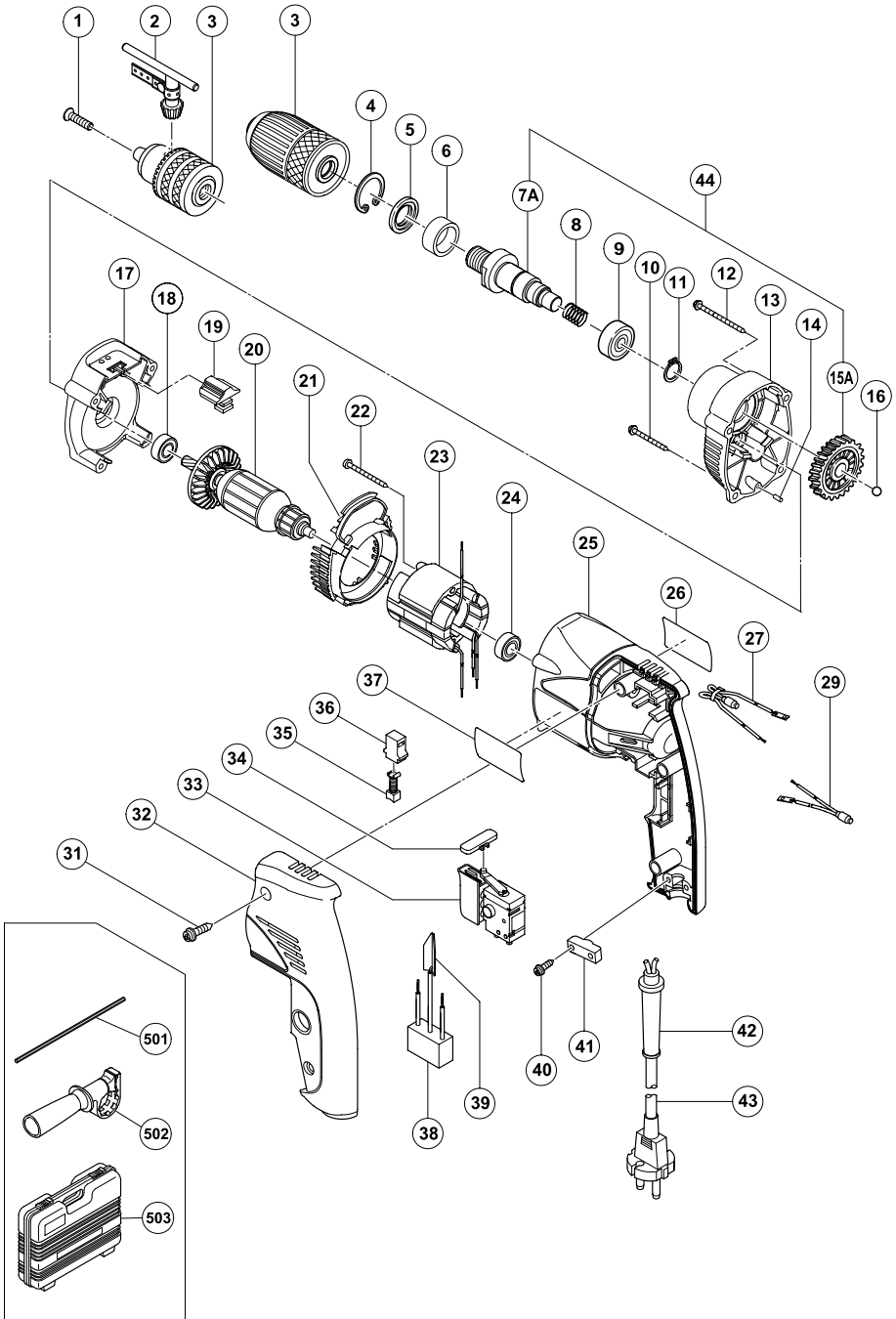
Измеряемые величины были определены в соответствии с EN50144.

Типичный средневзвешенный уровень звукового давления по шкале A: 99 дБ (A).

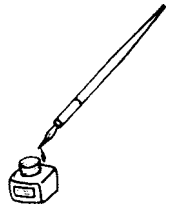
Типичный средневзвешенный уровень мощности звука по шкале A: 112 дБ (A).

Надевайте наушники.

Типичное взвешенное среднеквадратическое ускорение значение: 10,5 м/с²



A	B	C	D
1	995-344	1	M6 × 25
2	987-576	1	
3-1	322-357	1	13VLRH-N
3-2	321-814	1	13VLRB-D
4	948-001	1	
5	971-654	1	
6	322-515	1	
7A	322-513	1	
8	322-514	1	
9	600-2VV	1	6002VVCMP2L
10	306-664	2	D4 × 40
11	939-544	1	
12	322-516	2	D4 × 55
13	322-512	1	
14	322-511	1	
15A	323-527	1	
16	959-150	1	D6.35
17	322-509	1	
18	608-DDM	1	608DDC2PS2L
19	322-510	1	
20-1	360-626C	1	110V
20-2	360-626E	1	220V-240V
21	322-508	1	
22	950-515	2	D4 × 50
23-1	350-573C	1	110V
23-2	340-573E	1	220V-230V
23-3	340-573F	1	240V
24	608-VVM	1	608VVC2PS2L
25	321-622	1	
26	-----	1	
27-1	322-517	1	220V-240V
27-2	322-518	1	"GBR(110V)"
29-1	321-634	1	110V-240V
29-2	322-519	1	"GBR(110V)"
31	301-653	3	D4 × 20
32	321-629	1	
33	321-632	1	
34	321-628	1	
35	999-041	2	
36	955-203	2	
37	-----	1	
38	994-273	1	
39	992-635	1	
40	984-750	2	D4 × 16
41	937-631	1	
42	953-327	1	D8.8
43	-----	1	
44	323-565	1	"7A, 15A"
501	303-709	1	
502	303-659	1	
503	321-635		

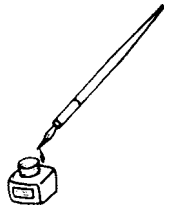


<p>English</p> <p align="center"><u>GUARANTEE CERTIFICATE</u></p> <ol style="list-style-type: none"> ① Model No. ② Serial No. ③ Date of Purchase ④ Customer Name and Address ⑤ Dealer Name and Address (Please stamp dealer name and address) 	<p>Magyar</p> <p align="center"><u>GARANCIA BIZONYLAT</u></p> <ol style="list-style-type: none"> ① Tipusszám ② Sorozatszám ③ A vásárlás dátuma ④ A Vásárló neve és címe ⑤ A Kereskedő neve és címe (Kérjük ide elhelyezni a Kereskedő nevének és címének pecsétjét)
<p>Deutsch</p> <p align="center"><u>GARANTIESCHEIN</u></p> <ol style="list-style-type: none"> ① Modell-Nr. ② Serien-Nr. ③ Kaufdatum ④ Name und Anschrift des Kunden ⑤ Name und Anschrift des Händlers (Bitte mit Namen und Anschrift des Handlers abstempeln) 	<p>Čeština</p> <p align="center"><u>ZÁRUČNÍ LIST</u></p> <ol style="list-style-type: none"> ① Model č. ② Série č. ③ Datum nákupu ④ Jméno a adresa zákazníka ⑤ Jméno a adresa prodejce (Prosíme o razítko se jménem a adresou prodejce)
<p>Ελληνικά</p> <p align="center"><u>ΠΙΣΤΟΠΟΙΗΤΙΚΟ ΕΓΓΥΗΣΗΣ</u></p> <ol style="list-style-type: none"> ① Αρ. Μοντέλου ② Αύξων Αρ. ③ Ημερομηνία αγοράς ④ Όνομα και διεύθυνση πελάτη ⑤ Όνομα και διεύθυνση μεταπωλητή (Παρακαλούμε να χρησιμοποιηθεί σφραγίδα) 	<p>Türkçe</p> <p align="center"><u>GARANTİ SERTİFİKASI</u></p> <ol style="list-style-type: none"> ① Model No. ② Seri No. ③ Satın Alma Tarihi ④ Müşteri Adı ve Adresi ⑤ Bayi Adı ve Adresi (Lütfen bayi adını ve adresini kaşe olarak basın)
<p>Polski</p> <p align="center"><u>GWARANCJA</u></p> <ol style="list-style-type: none"> ① Model ② Numer seryjny ③ Data zakupu ④ Nazwa klienta i adres ⑤ Nazwa dealera i adres (Pieczęć punktu sprzedaży) 	<p>Русский</p> <p align="center"><u>ГАРАНТИЙНЫЙ СЕРТИФИКАТ</u></p> <ol style="list-style-type: none"> ① Модель № ② Серийный № ③ Дата покупки ④ Название и адрес заказчика ⑤ Название и адрес дилера (Пожалуйста, внесите название и адрес дилера)



HITACHI

①	
②	
③	
④	
⑤	



<p>English</p> <p>EC DECLARATION OF CONFORMITY</p> <p>We declare under our sole responsibility that this product is in conformity with standards or standardized documents EN50144, EN55014 and EN61000-3 in accordance with Council Directives 73/23/EEC, 89/336/EEC and 98/37/EC.</p> <p>This declaration is applicable to the product affixed CE marking.</p>	<p>Magyar</p> <p>EU MEGFELELŐSÉGI NYILATKOZAT</p> <p>Teljes felelősségünk tudatában kijelentjük, hogy ez a termék megfelel az EN50144, EN55014, és EN 61000-3 szabványoknak illetve szabványosított dokumentumoknak, az Európa Tanács 73/23/EEC, 89/336/EEC, és 98/37/EC Tanácsi Direktíváival összhangban.</p> <p>Jelen nyilatkozat a terméken feltüntetett CE jelzésre vonatkozik.</p>
<p>Deutsch</p> <p>ERKLÄRUNG ZUR KONFORMITÄT MIT CE-REGELN</p> <p>Wir erklären mit alleiniger Verantwortung, daß dieses Produkt den Standards oder standardisierten Dokumenten EN50144, EN55014 und EN61000-3 in Übereinstimmung mit den Direktiven des Europarats 73/23/EWG, 89/336/EWG und 98/37/CE entspricht.</p> <p>Diese Erklärung gilt für Produkte, die die CE-Markierung tragen.</p>	<p>Čeština</p> <p>PROHLÁŠENÍ O SHODĚ S CE</p> <p>Prohlašujeme na svoji zodpovědnost, že tento výrobek odpovídá normám EN50144, EN55014 a EN61000-3 v souladu se směrnicemi 73/23/EEC, 89/336/EEC a 98/37/EC.</p> <p>Toto prohlášení platí pro výrobek označený značkou CE.</p>
<p>Ελληνικά</p> <p>ΕΚ ΔΗΛΩΣΗ ΕΝΑΡΜΟΝΙΣΜΟΥ</p> <p>Δηλώνουμε με απόλυτη υπευθυνότητα ότι αυτό το προϊόν είναι εναρμονισμένο με τα πρότυπα ή τα έγγραφα προτύπων EN50144, EN55014 και EN61000-3 σε συμφωνία με τις Οδηγίες του Συμβουλίου 73/23/ΕΟΚ, 89/336/ΕΟΚ και 98/37/ΕΚ.</p> <p>Αυτή η δήλωση ισχύει στο προϊόν με το σημάδι CE.</p>	<p>Türkçe</p> <p>AB UYGUNLUK BEYANI</p> <p>Bu ürünün, 73/23/EEC, 89/336/EEC ve 98/37/EC sayılı Konsey Direktiflerine uygun olarak, EN50144, EN55014 ve EN61000-3 sayılı standartlara ve standartlaştırılmış belgelere uygun olduğunu, tamamen kendi sorumluluğumuz altında beyan ederiz.</p> <p>Bu beyan, üzerinde CE işareti bulunan ürünler için geçerlidir.</p>
<p>Polski</p> <p>DEKLARACJA ZGODNOŚCI Z CE</p> <p>Oznajmiamy z całkowitą odpowiedzialnością, że produkt ten pozostaje w zgodzie ze standardami lub standardową formą dokumentów EN50144, EN55014 i EN61000-3 w zgodzie z Zasadami Rady 73/23/EEC 89/336/ EEC i 98/37/EC.</p> <p>To oświadczenie odnosi się do załączonego produktu z oznaczeniami CE.</p>	<p>Русский</p> <p>ДЕКЛАРАЦИЯ СООТВЕТСТВИЯ ЕС</p> <p>Мы с полной ответственностью заявляем, что данное изделие соответствует стандартам или стандартизованным документам EN50144, EN55014 и EN61000-3 согласно Директивам Совета 73/23/EEC, 89/336/EEC и 98/37/EC.</p> <p>Данная декларация относится к изделиям, на которых имеется маркировка CE.</p>
<p>Representative office in Europe Hitachi Power Tools Europe GmbH Siemensring 34, 47877 Willich 1, F. R. Germany</p> <p>Head office in Japan Hitachi Koki Co., Ltd. Shinagawa Intercity Tower A, 15-1, Konan 2-chome, Minato-ku, Tokyo, Japan</p> <p style="text-align: center;">CE</p> <p style="text-align: right;">28. 2. 2005</p> <p style="text-align: right;"><i>M. Kato</i></p> <p style="text-align: right;">K. Kato Board Director</p>	

 **Hitachi Koki Co., Ltd.**