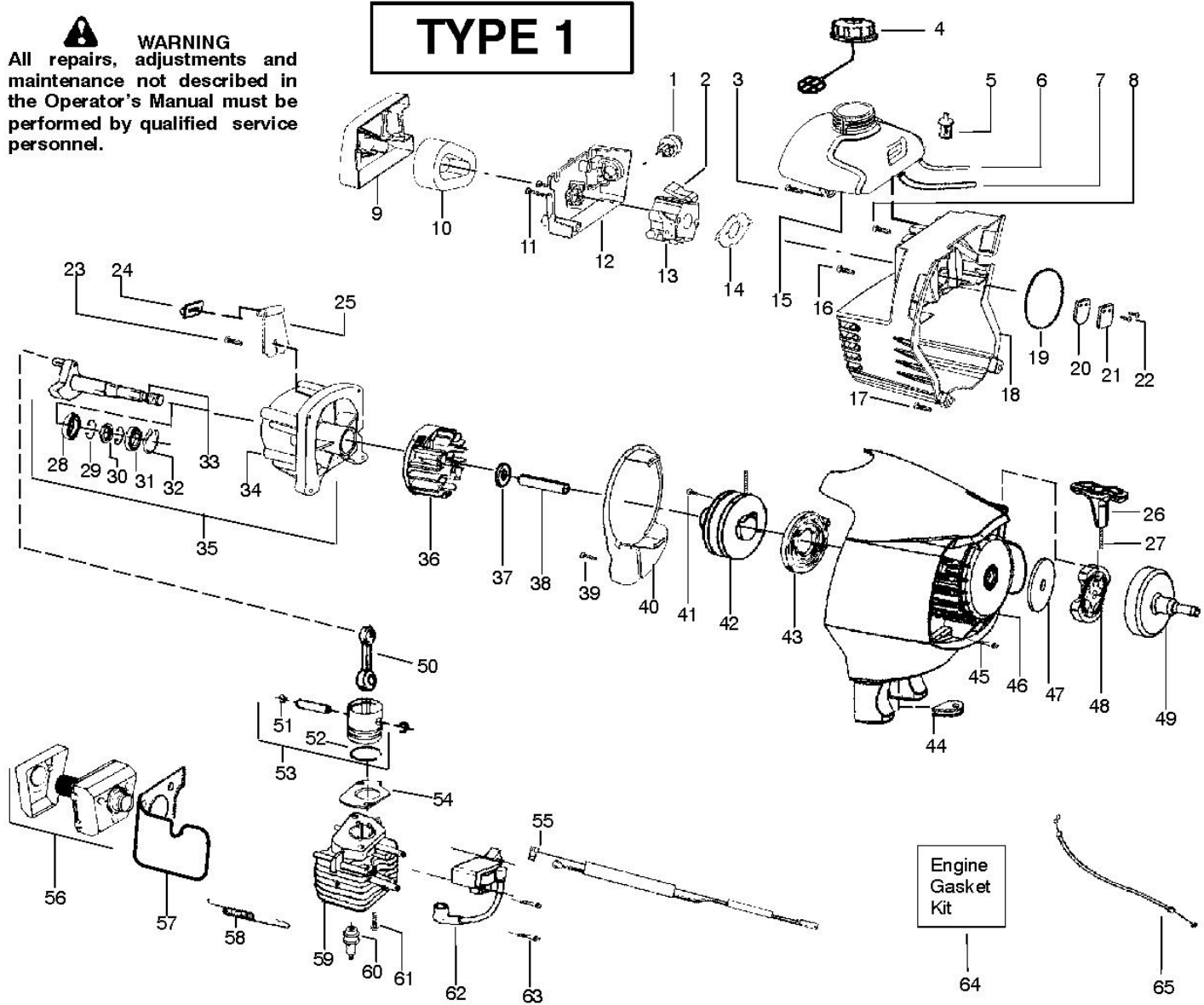


ENGINE

WARNING
All repairs, adjustments and maintenance not described in the Operator's Manual must be performed by qualified service personnel.

TYPE 1



Ref	Part No.	Description	QTY	KIT
1	530 04 77-21	PRIMER	1	
2	530 07 17-17	CHOKE CONTROL	1	
3	530 01 58-43	SCREW	1	
4	530 05 77-36	ASSEMBLY	1	
5	530 09 56-46	FILTER	1	
6	530 06 92-47	HOSE	1	
7	530 06 92-16	FUEL PIPE	1	
8	530 01 57-75	SCREW	1	
9	530 15 00-88	COVER	1	
10	530 05 49-46	AIR FILTER	1	
11	530 01 58-49	SCREW	1	
12	530 15 00-80	BOX--AIR	1	
13	530 07 16-37	CARBURETTOR	1	
14	530 07 14-01	GASKET SET	1	
15	530 15 00-92	FUEL TANK ASSY	1	
		Engine Gasket Kit		

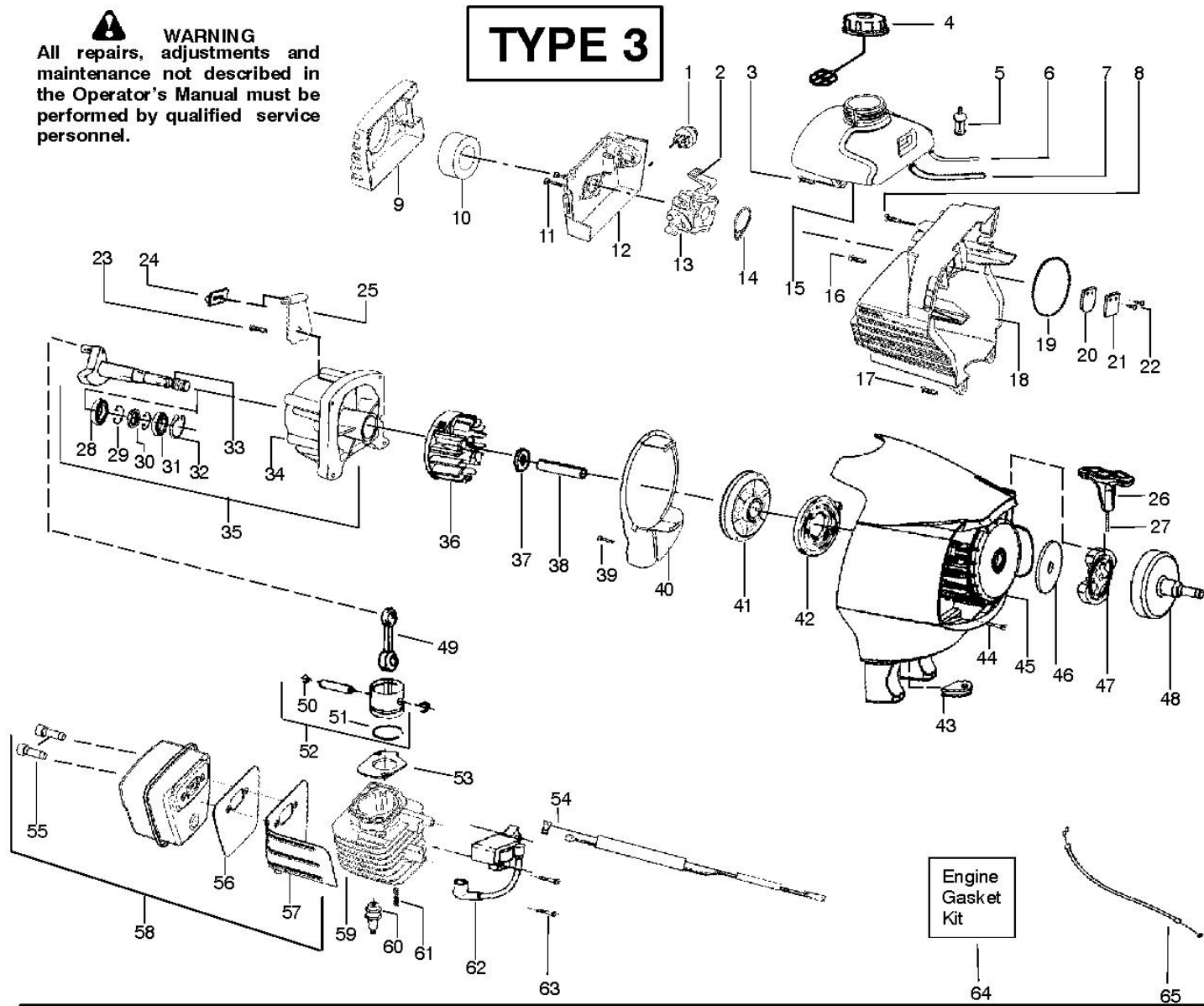
Ref	Part No.	Description	QTY	KIT
16	530 01 57-71	SCREW	1	
17	530 01 59-52	SCREW	1	
18	530 15 00-89	ASSY--SHROUD	1	
19	530 07 14-01	GASKET SET	1	
20	530 02 75-93	REED	1	
21	530 05 45-96	STOP-REED	1	
22	530 01 60-64	SCREW	1	
23	530 01 58-75	SCREW	1	
24	530 05 54-92	BUMPER	1	
25	530 05 49-41	RET.-FUEL TANK	1	
26	530 05 87-42	HANDLE	1	
27	530 07 13-25	KIT	1	
28	530 03 21-03	BEARING	1	
29	530 01 57-87	RETAINING RING	1	
30	530 01 91-58	SEALING RING	1	
31	530 03 21-02	BEARING	1	
32	530 01 57-89	RETAINING RING	1	
33	530 02 88-07	CRANKSHAFT ASSY	1	
34	530 01 25-14	CRANKCASE ASSY	1	
35	530 07 16-85	ASSEMBLY	1	
36	530 05 55-24	FLYWHEEL ASSY	1	
37	530 01 60-30	WASHER	1	
38	530 05 56-20	SPACER	1	
39	530 01 57-75	SCREW	1	
40	530 05 49-39	PLATE	1	
41	530 01 63-91	SCREW	1	
42	530 07 13-99	KIT	1	
43	530 04 20-86	RETURN SPRING	1	
44	530 01 91-82	PROTECTOR	1	
45	530 01 58-10	SCREW	1	
46	530 05 52-48	HOUSING	1	
47	530 09 41-89	WASHER	1	
48	530 05 51-22	CLUTCH ASSY	1	
49	530 02 87-99	ASSEMBLY	1	
50	530 01 09-60	CONNECTING ROD	1	
51	530 01 51-62	CIRCLIP	1	
52	530 01 25-95	PISTON RING	1	
53	530 07 20-00	KIT	1	
54	530 07 14-01	GASKET SET	1	
55	530 05 88-46	ASSEMBLY	1	
56	530 06 93-10	MUFFLER	1	
57	530 05 89-57	HEAT SHIELD	1	
58	530 03 64-09	SPRING	1	
59	530 01 24-90	CYLINDER	1	
60	952 03 02-49	SPARK PLUG	1	
61	530 00 16-24	SCREW	1	
62	530 03 92-18	MODULE--IGNITION	1	
63	530 01 63-57	SCREW	1	
64	530 07 14-01	GASKET SET	1	

Ref	Part No.	Description	QTY	KIT
65	545 02 68-01	ASSEMBLY	1	

ENGINE

WARNING
All repairs, adjustments and maintenance not described in the Operator's Manual must be performed by qualified service personnel.

TYPE 3

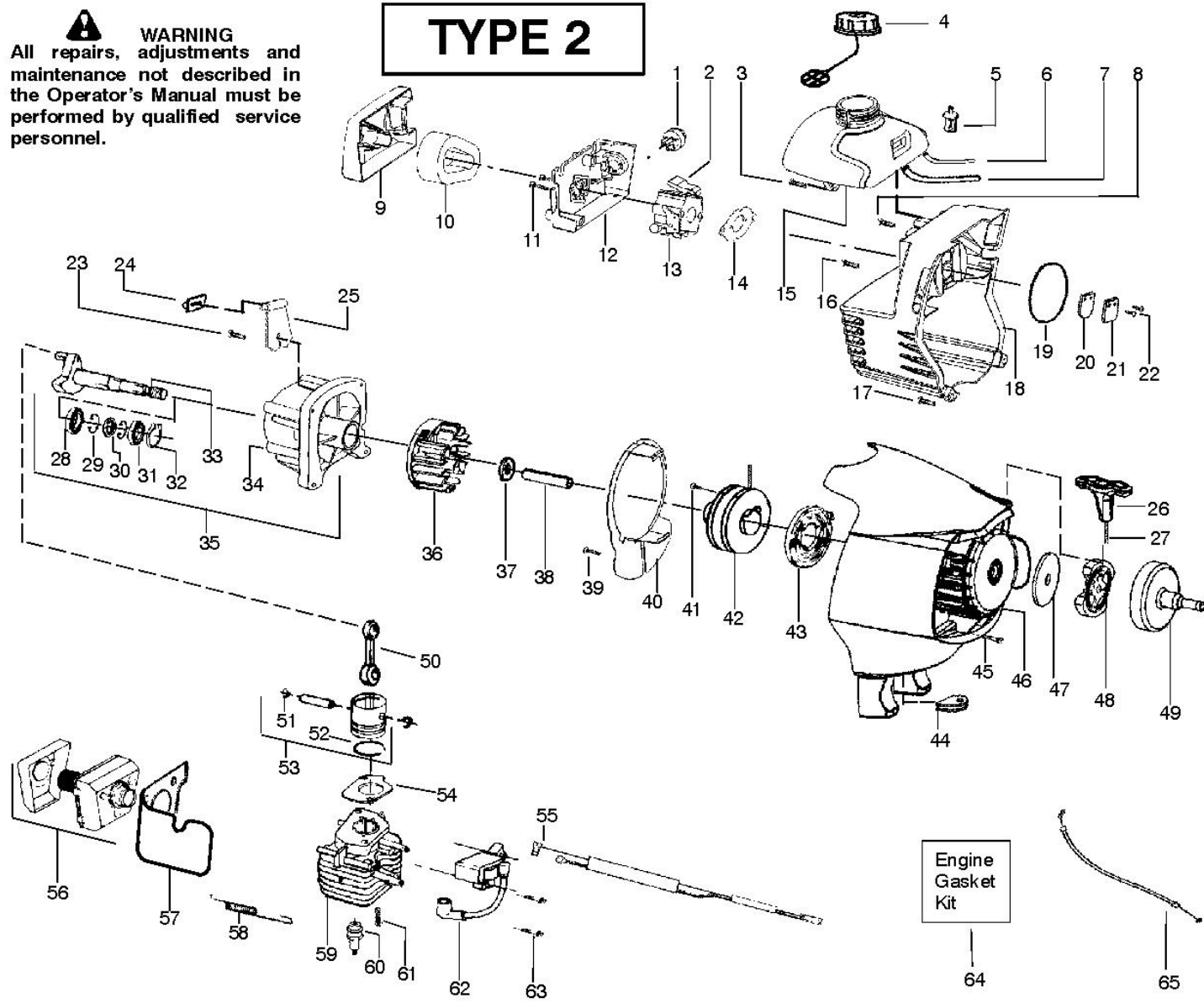


Ref	Part No.	Description	QTY	KIT
1	530 04 77-21	PRIMER	1	
2	530 07 17-17	CHOKE CONTROL	1	
3	530 01 58-43	SCREW	1	
4	530 04 93-86	TANK CAP	1	
5	530 09 56-46	FILTER	1	
6	530 06 92-47	HOSE	1	
7	530 06 92-16	FUEL PIPE	1	
8	530 01 57-75	SCREW	1	
9	545 00 05-01	COVER	1	
10	545 08 23-01	AIR FILTER	1	
11	530 01 58-49	SCREW	1	
12	545 00 06-01	BASE AIR BOX	1	
13	545 00 60-17	KIT	1	
14	545 03 01-02	KIT	1	
15	545 07 53-01	FUEL TANK	1	
16	530 01 57-71	SCREW	1	
17	530 01 59-52	SCREW	1	
18	545 00 07-01	ASSEMBLY	1	
		Engine Gasket Kit		64
				65

Ref	Part No.	Description	QTY	KIT
19	545 03 01-02	KIT	1	
20	530 02 75-93	REED	1	
21	530 02 97-81	REED STOP	1	
22	530 01 60-64	SCREW	1	
23	530 01 58-75	SCREW	1	
24	530 05 54-92	BUMPER	1	
25	530 05 49-41	RET.-FUEL TANK	1	
26	530 05 48-34	HANDLE-STARTER	1	
27	545 05 04-09	KIT	1	
28	545 08 16-01	BEARING RADIAL BALL R8 (INNER)	1	
29	530 01 57-87	RETAINING RING	1	
30	530 01 91-58	SEALING RING	1	
31	530 03 21-02	BEARING	1	
32	530 01 57-89	RETAINING RING	1	
33	530 02 88-07	CRANKSHAFT ASSY	1	
34	545 08 19-01	CRANKCASE ASSY	1	
35	545 00 60-37	KIT	1	
36	530 05 55-24	FLYWHEEL ASSY	1	
37	530 01 64-63	WASHER	1	
38	530 05 56-20	SPACER	1	
39	530 01 57-75	SCREW	1	
40	545 11 52-01	BAFFLE PLATE	1	
41	545 05 04-08	KIT	1	
42	545 05 49-01	SPRING	1	
43	530 01 91-82	PROTECTOR	1	
44	530 01 63-86	SCREW	1	
45	530 05 52-48	HOUSING	1	
46	530 09 41-89	WASHER	1	
47	530 05 51-22	CLUTCH ASSY	1	
48	530 15 02-47	CLUTCH DRUM	1	
49	530 01 09-60	CONNECTING ROD	1	
50	530 01 51-62	CIRCLIP	1	
51	530 01 25-95	PISTON RING	1	
52	530 07 20-00	KIT	1	
53	545 03 01-02	KIT	1	
54	530 05 88-46	ASSEMBLY	1	
55	530 01 63-87	SCREW	1	
56	545 03 01-02	KIT	1	
57	545 03 32-01	SHIELD	1	
58	545 08 18-71	MUFFLER KIT	1	
59	530 01 25-89	CYLINDER	1	
60	952 03 02-49	SPARK PLUG	1	
61	530 00 16-24	SCREW	1	
62	530 03 92-34	IGNITION MODULE	1	
63	530 01 63-57	SCREW	1	
64	545 03 01-02	KIT	1	
65	545 02 68-01	ASSEMBLY	1	

⚠ WARNING
All repairs, adjustments and maintenance not described in the Operator's Manual must be performed by qualified service personnel.

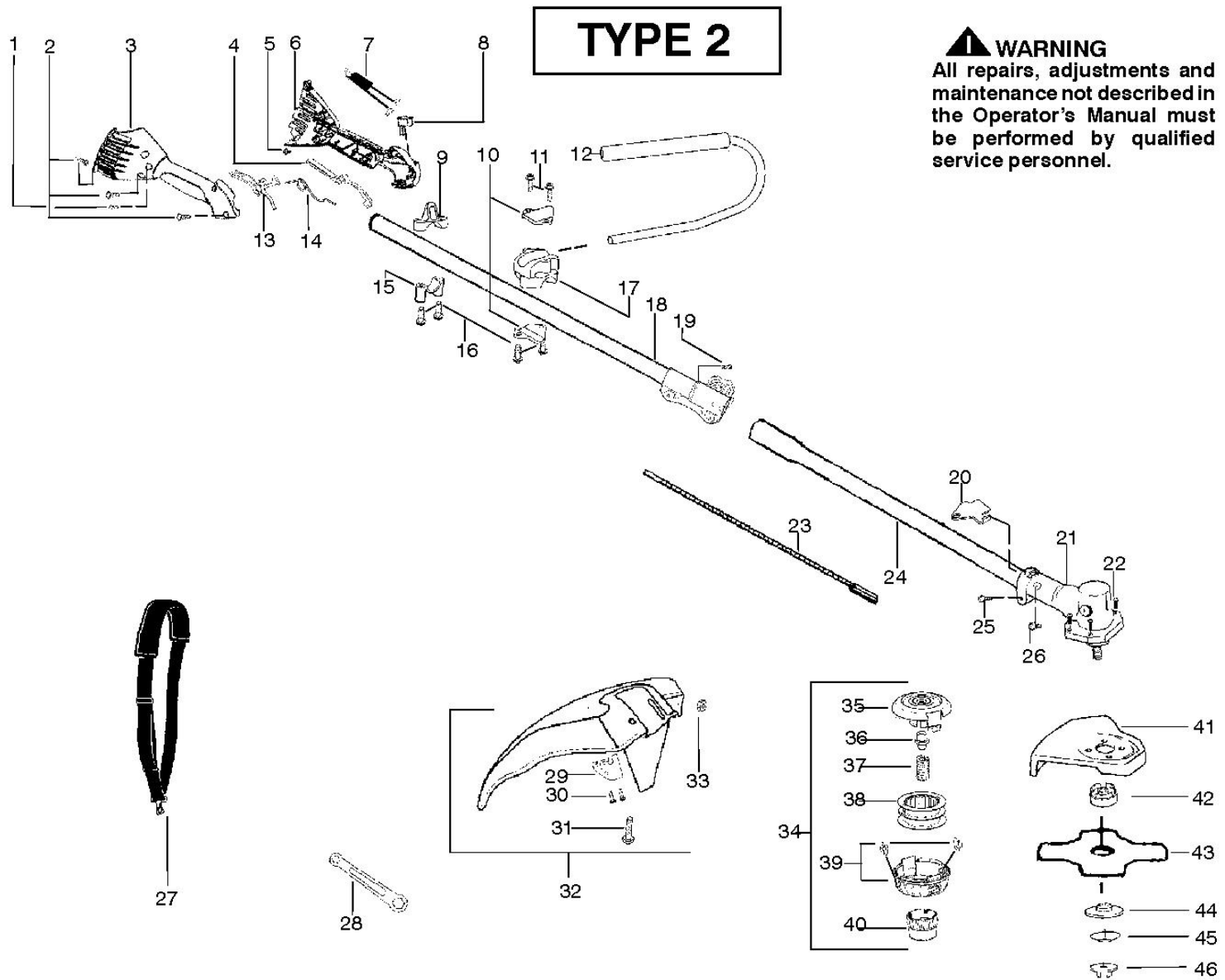
TYPE 2



Ref	Part No.	Description	QTY	KIT
1	530 04 77-21	PRIMER	1	
2	530 07 17-17	CHOKE CONTROL	1	
3	530 01 58-43	SCREW	1	
4	530 04 93-86	TANK CAP	1	
5	530 09 56-46	FILTER	1	
6	530 06 92-47	HOSE	1	
7	530 06 92-16	FUEL PIPE	1	
8	530 01 57-75	SCREW	1	
9	530 05 49-35	COVER	1	
10	530 05 49-46	AIR FILTER	1	
11	530 01 58-49	SCREW	1	
12	530 05 49-34	FILTER HOLDER	1	
13	530 07 16-37	CARBURETTOR	1	
14	530 07 14-01	GASKET SET	1	
15	545 07 53-05	FUEL TANK	1	
16	530 01 57-71	SCREW	1	
17	530 01 59-52	SCREW	1	
18	530 05 87-97	ASSEMBLY	1	
				64
				65

Ref	Part No.	Description	QTY	KIT
19	530 07 14-01	GASKET SET	1	
20	530 02 75-93	REED	1	
21	530 05 45-96	STOP-REED	1	
22	530 01 60-64	SCREW	1	
23	530 01 58-75	SCREW	1	
24	530 05 54-92	BUMPER	1	
25	530 05 49-41	RET.-FUEL TANK	1	
26	530 05 48-34	HANDLE-STARTER	1	
27	530 07 13-25	KIT	1	
28	530 03 21-03	BEARING	1	
29	530 01 57-87	RETAINING RING	1	
30	530 01 91-58	SEALING RING	1	
31	530 03 21-02	BEARING	1	
32	530 01 57-89	RETAINING RING	1	
33	530 02 88-07	CRANKSHAFT ASSY	1	
34	530 01 25-14	CRANKCASE ASSY	1	
35	530 07 16-85	ASSEMBLY	1	
36	530 05 51-25	FLYWHEEL	1	
37	530 01 60-30	WASHER	1	
38	530 05 56-20	SPACER	1	
39	530 01 57-75	SCREW	1	
40	530 05 49-39	PLATE	1	
41	530 01 63-91	SCREW	1	
42	530 07 13-99	KIT	1	
43	530 04 20-86	RETURN SPRING	1	
44	530 01 91-82	PROTECTOR	1	
45	530 01 58-10	SCREW	1	
46	530 05 52-48	HOUSING	1	
47	530 09 41-89	WASHER	1	
48	530 05 51-22	CLUTCH ASSY	1	
49	530 15 02-47	CLUTCH DRUM	1	
50	530 01 09-60	CONNECTING ROD	1	
51	530 01 51-62	CIRCLIP	1	
52	530 01 25-95	PISTON RING	1	
53	530 07 20-00	KIT	1	
54	530 07 14-01	GASKET SET	1	
55	530 05 88-46	ASSEMBLY	1	
56	530 06 93-10	MUFFLER	1	
57	530 05 89-57	HEAT SHIELD	1	
58	530 03 64-09	SPRING	1	
59	530 01 24-90	CYLINDER	1	
60	952 03 02-49	SPARK PLUG	1	
61	530 00 16-24	SCREW	1	
62	530 03 55-05	MODULE--IGNITION	1	
63	530 01 63-57	SCREW	1	
64	530 07 14-01	GASKET SET	1	
65	545 02 68-01	ASSEMBLY	1	

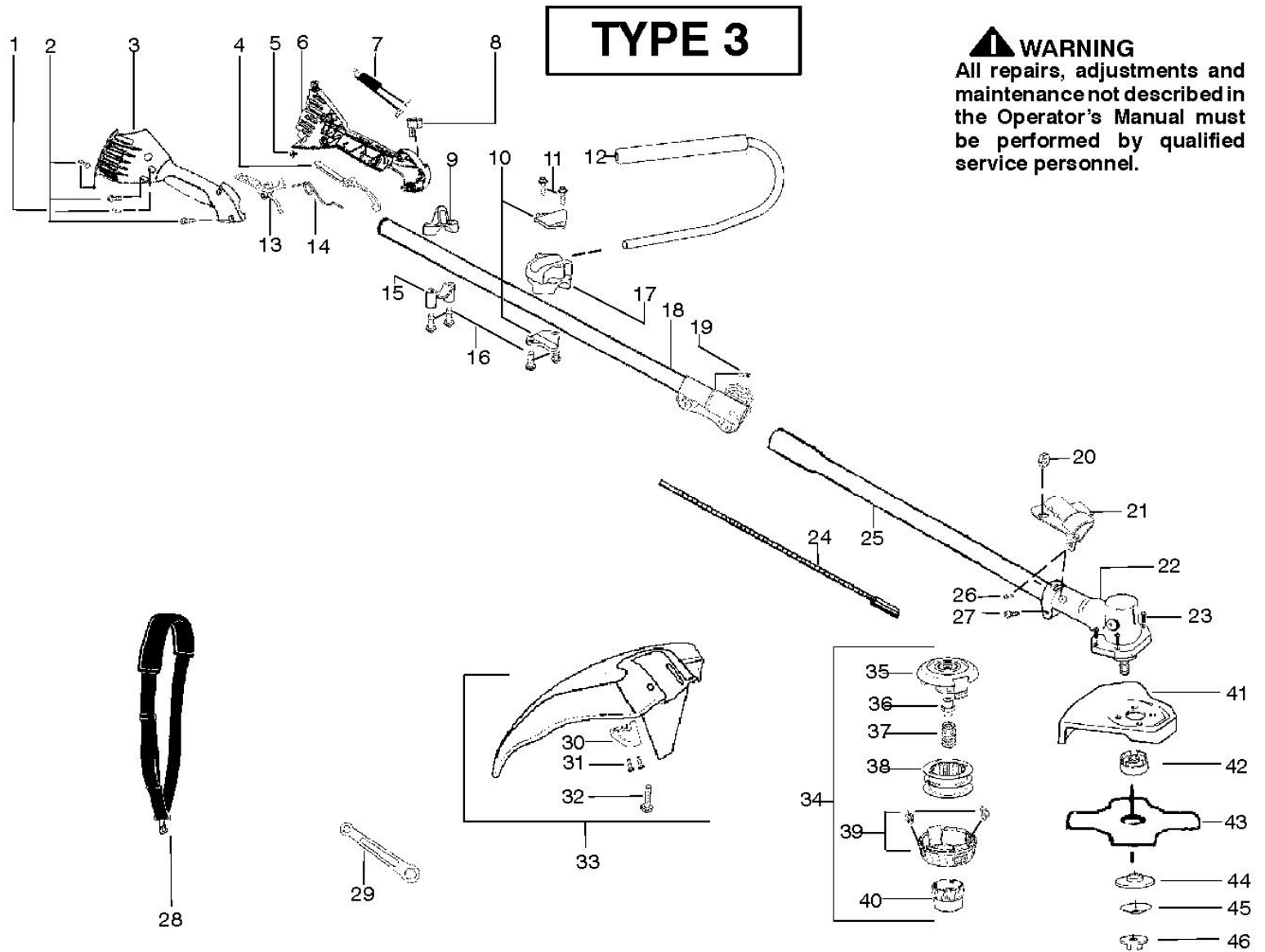
SHAFT & HANDLE



Ref	Part No.	Description	QTY	KIT
1	530 01 58-05	SCREW	1	
2	530 01 58-86	SCREW	1	
3	545 01 89-01	HSG RT THROTTLE BLCK W/INSERT	1	
4	545 01 76-01	LOCKOUT--THROTTLE	1	
5	530 01 63-26	SCREW	1	
6	545 01 87-01	HSG LEFT THROTTLE BLCK W/INSER	1	
7	530 05 88-43	ASSEMBLY	1	
8	530 06 95-72	SWITCH	1	
9	530 05 79-86	CLAMP HARNESS UPPER,	1	
10	530 05 85-63	CLAMP BRACKET,	1	
11	530 01 58-86	SCREW	1	
12	530 07 19-74	KIT	1	
13	545 01 77-01	ASSEMBLY	1	
14	530 01 64-73	SPRING	1	
15	530 05 79-87	CLAMP HARNESS LOWER,	1	
16	530 01 59-40	SCREW	1	
17	545 02 45-01	CLAMP HANDLEBAR,	1	
18	545 00 60-14	COVER	1	

Ref	Part No.	Description	QTY	KIT
19	530 01 63-44	SCREW	1	
20	530 05 75-54	BRACKET	1	
21	530 09 61-00	GEARBOX,	1	
22	530 01 63-12	SCREW	1	
23	530 09 62-18	SHAFT	1	
24	545 00 60-15	SHAFT	1	
25	530 01 60-14	SCREW	1	
26	530 01 57-75	SCREW	1	
27	530 09 20-85	HARNESS	1	
28	530 05 64-01	WRENCH	1	
29	530 05 22-86	BLADE	1	
30	530 01 58-14	SCREW	1	
31	530 01 58-20	SCREW	1	
32	545 08 10-01	KIT	1	
33	530 01 51-97	NUT	1	
34	537 41 92-02	TRIMMER HEAD	1	
35	537 41 93-02	HOUSING	1	
36	537 41 98-01	ADAPTER	1	
37	537 33 88-01	SPRING	1	
38	530 09 63-28	Assy spool (incl. line),	1	
39	545 00 33-65	EYELET	1	
40	537 41 96-01	KNOB	1	
41	530 07 19-47	KIT	1	
42	530 09 58-15	CUP	1	
43	530 05 58-92	ASSEMBLY	1	
44	530 09 58-16	WASHER	1	
45	530 01 62-40	WASHER	1	
46	530 01 57-93	NUT	1	
	545 12 34-05	MANUAL OPERATORS EUR	1	
	545 12 34-06	MANUAL OPERATORS EUR	1	
	545 12 34-09	MANUAL OPERATORS EUR	1	
	530 15 03-77	LABEL	1	
	530 05 63-35	DECAL	1	
	530 03 11-59	WRENCH	1	
	530 15 03-13	DECAL	1	
	502 03 55-05	TRANSPORT GUARD	1	

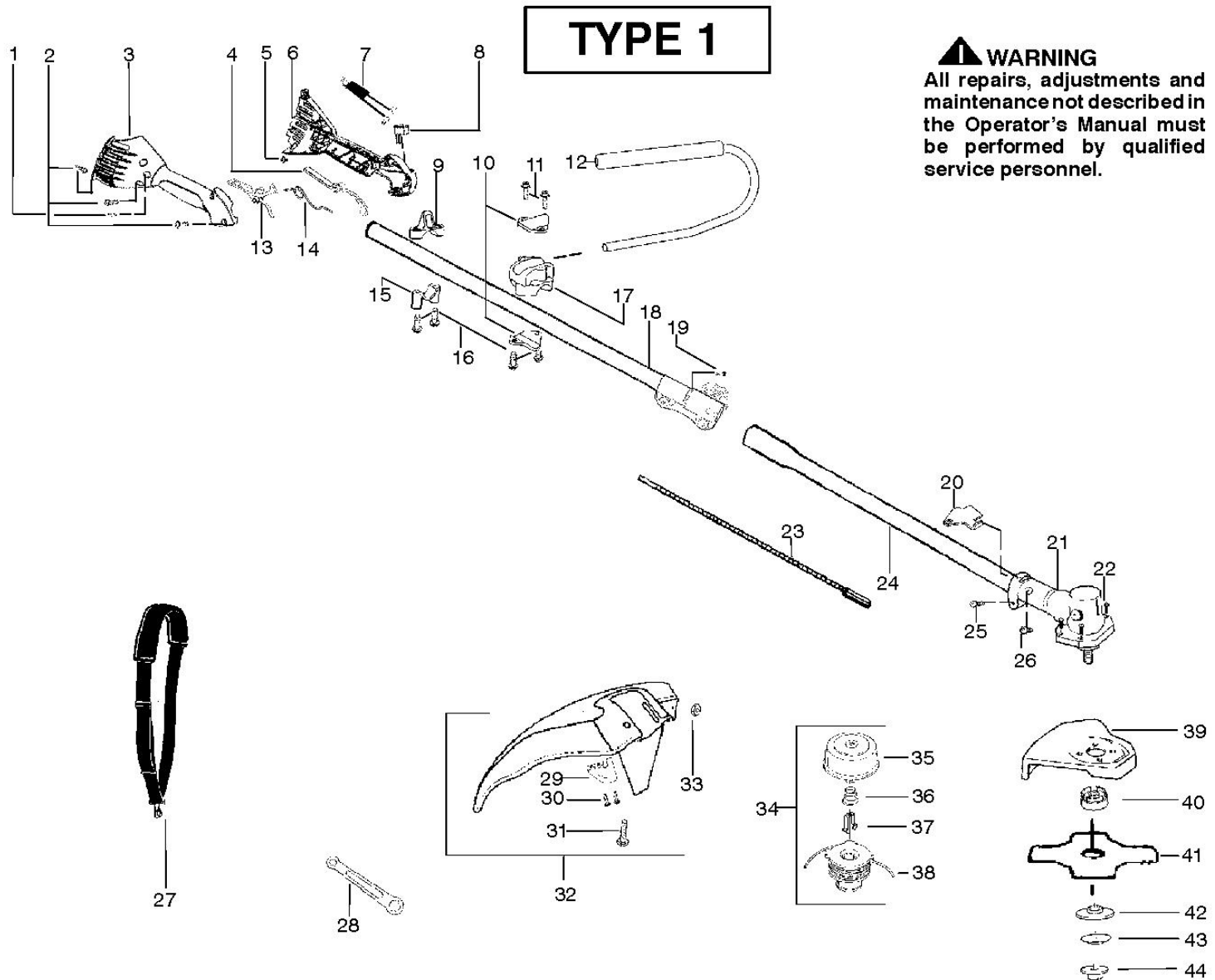
SHAFT & HANDLE



Ref	Part No.	Description	QTY	KIT
1	530 01 58-05	SCREW	1	
2	530 01 58-86	SCREW	1	
3	545 01 89-01	HSG RT THROTTLE BLCK W/INSERT	1	
4	545 01 76-01	LOCKOUT--THROTTLE	1	
5	530 01 63-26	SCREW	1	
6	545 01 87-01	HSG LEFT THROTTLE BLCK W/INSER	1	
7	530 05 88-43	ASSEMBLY	1	
8	530 06 95-72	SWITCH	1	
9	530 05 79-86	CLAMP HARNESS UPPER,	1	
10	530 05 85-63	CLAMP BRACKET,	1	
11	530 01 58-86	SCREW	1	
12	530 07 19-74	KIT	1	
13	545 01 77-01	ASSEMBLY	1	
14	530 01 64-73	SPRING	1	
15	530 05 79-87	CLAMP HARNESS LOWER,	1	
16	530 01 59-40	SCREW	1	
17	545 02 45-01	CLAMP HANDLEBAR,	1	
	545 00 60-14	COVER	1	

Ref	Part No.	Description	QTY	KIT
19	530 01 63-44	SCREW	1	
20	530 01 51-97	NUT	1	
21	545 15 07-01	BRACKET	1	
22	530 09 61-00	GEARBOX,	1	
23	530 01 63-12	SCREW	1	
24	530 09 62-18	SHAFT	1	
	545 00 60-12	SHAFT	1	
26	530 01 57-75	SCREW	1	
27	530 01 60-14	SCREW	1	
28	530 09 20-85	HARNESS	1	
29	530 05 64-01	WRENCH	1	
30	530 05 22-85	LIMITER LINE	1	
31	530 01 58-14	SCREW	1	
32	530 01 58-20	SCREW	1	
33	545 08 10-01	KIT	1	
34	537 41 92-02	TRIMMER HEAD	1	
35	537 41 93-02	HOUSING	1	
36	537 41 98-01	ADAPTER	1	
37	537 33 88-01	SPRING	1	
38	530 09 63-28	Assy spool (incl. line),	1	
39	545 00 33-65	EYELET	1	
40	537 41 96-01	KNOB	1	
41	530 07 19-47	KIT	1	
42	530 09 58-15	CUP	1	
43	530 05 58-92	ASSEMBLY	1	
44	530 09 58-16	WASHER	1	
45	530 01 62-40	WASHER	1	
46	530 01 57-93	NUT	1	
	545 15 46-52	MANUAL OPERATORS EUR	1	
	545 15 46-53	MANUAL OPERATORS SCA	1	
	545 15 46-51	MANUAL OPERATORS EUR	1	
	545 15 46-50	MANUAL OPERATORS EUR	1	
	545 15 46-49	MANUAL OPERATORS EUR	1	
	545 15 46-48	MANUAL OPERATORS EUR	1	
	545 15 46-47	MANUAL OPERATORS TUR	1	
	545 07 57-01	DECAL	1	
	530 05 63-35	DECAL	1	
	530 03 11-59	WRENCH	1	
	530 15 03-13	DECAL	1	
	502 03 55-05	TRANSPORT GUARD	1	
	545 16 77-08	DECAL SHAFT WARNING	1	
	545 16 77-09	DECAL SHAFT WARNING	1	

SHAFT & HANDLE



Ref	Part No.	Description	QTY	KIT
1	530 01 58-05	SCREW	1	
2	530 01 58-86	SCREW	1	
3	545 01 89-02	HSG.--THROTTLE (RIGHT)	1	
4	545 01 76-01	LOCKOUT--THROTTLE	1	
5	530 01 63-26	SCREW	1	
6	545 01 87-02	HSG.--THROTTLE (LEFT)	1	
7	530 05 88-43	ASSEMBLY	1	
8	530 06 95-72	SWITCH	1	
9	530 05 79-86	CLAMP HARNESS UPPER,	1	
10	530 05 85-63	CLAMP BRACKET,	1	
11	530 01 58-86	SCREW	1	
12	530 07 19-54	KIT	1	
13	545 01 77-01	ASSEMBLY	1	
14	530 01 64-73	SPRING	1	
15	530 05 79-87	CLAMP HARNESS LOWER,	1	
16	530 01 59-40	SCREW	1	
17	545 02 45-01	CLAMP HANDLEBAR,	1	
18	545 02 48-01	01 KIT--UPPER SHAFT ASS	1	

Ref	Part No.	Description	QTY	KIT
19	530 01 63-44	SCREW	1	
20	530 05 75-54	BRACKET	1	
21	530 09 61-00	GEARBOX,	1	
22	530 01 63-12	SCREW	1	
23	530 09 62-18	SHAFT	1	
24	530 07 19-48	ASSEMBLY	1	
25	530 01 60-14	SCREW	1	
26	530 01 62-24	SCREW	1	
27	530 09 20-85	HARNESS	1	
28	530 05 64-01	WRENCH	1	
29	530 05 22-86	BLADE	1	
30	530 01 58-14	SCREW	1	
31	530 01 58-20	SCREW	1	
32	545 02 67-01	KIT	1	
33	530 01 51-97	NUT	1	
34	530 05 64-98	FADENKOPF	1	
35	530 09 57-72	ASSEMBLY	1	
36	530 05 32-41	SPRING	1	
37	530 40 19-57	RETAINER	1	
38	530 05 65-00	ASSEMBLY	1	
39	530 07 19-47	KIT	1	
40	530 09 58-15	CUP	1	
41	545 02 58-01	ASSY. WEED BLADE,	1	
42	530 09 58-16	WASHER	1	
43	530 01 62-40	WASHER	1	
44	530 01 57-93	NUT	1	
	530 15 03-77	LABEL	1	
	530 05 63-35	DECAL	1	
	530 03 11-59	WRENCH	1	
	530 15 03-13	DECAL	1	
	502 03 55-05	TRANSPORT GUARD	1	