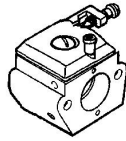


CARBURETOR

PARTS LIST NO. 530165406		Husqvarna® PARTS LIST	CHAIN SAW MODEL(s) 142 Export
DATE 9/18/06	Replaces 530165406 - 05/24/06		Note: Illustration may differ from actual model due to design changes

Kit - Carburetor Assembly No. 530071987 - Zama W-29



Carb
Repair
Kit

1

⚠ WARNING

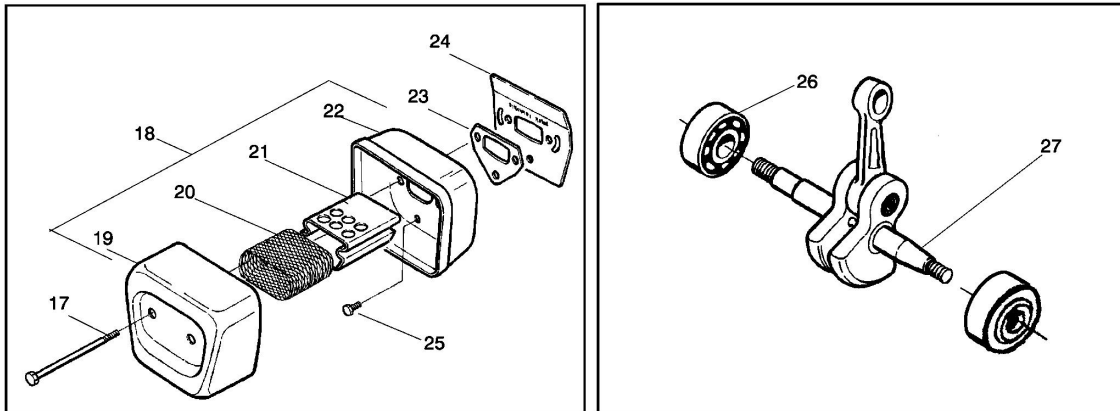
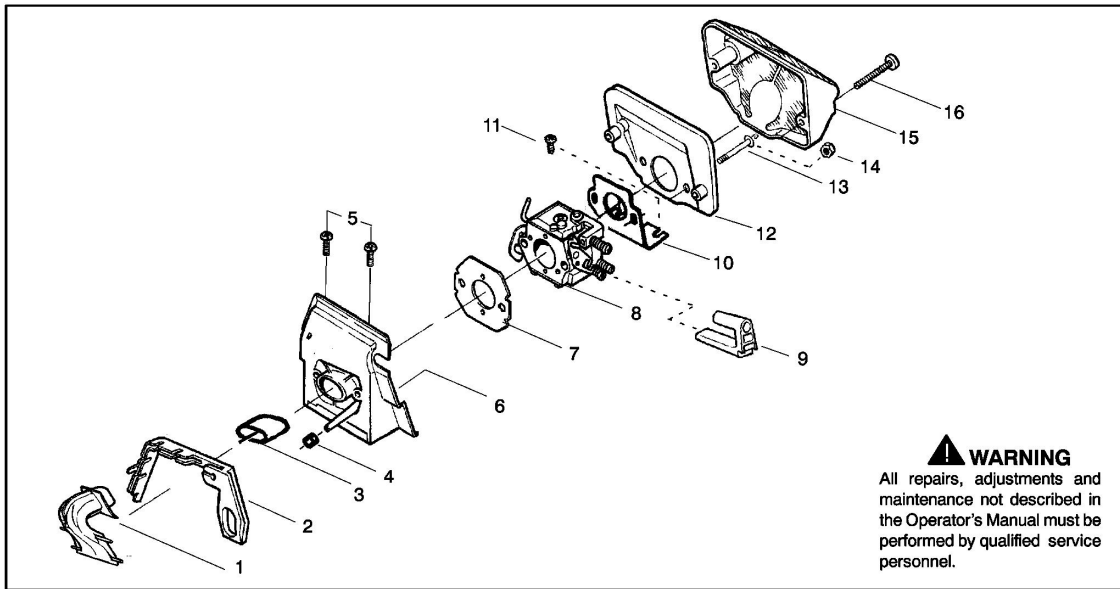
All repairs, adjustments and maintenance not described in the Operator's Manual must be performed by qualified service personnel.

✓ = NEW PART NUMBER FOR THIS IPL ★ = REFER TO THE SERVICE REFERENCE INDICATED FOR MORE INFORMATION. (LOCATED AT END OF IPL)
● = THESE PARTS ARE ILLUSTRATED FOR CLARITY. ORDER COMPLETE ASSEMBLY.

Ref	Part No.	Description	QTY	KIT
1	530 03 52-69	REPAIR KIT	1	

CARBURETOR & AIR FILTER

PARTS LIST NO. 530165406		Husqvarna® PARTS LIST	CHAIN SAW MODEL(S) 142 Export
DATE 9/18/06	Replaces 530165406 - 05/24/06		NOTE: Illustration may differ from actual model due to design changes



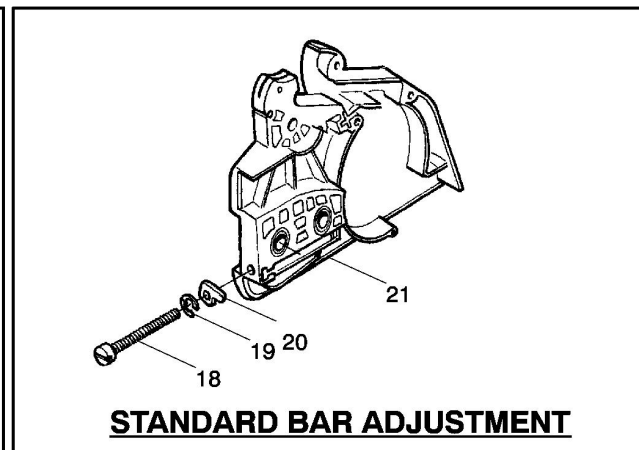
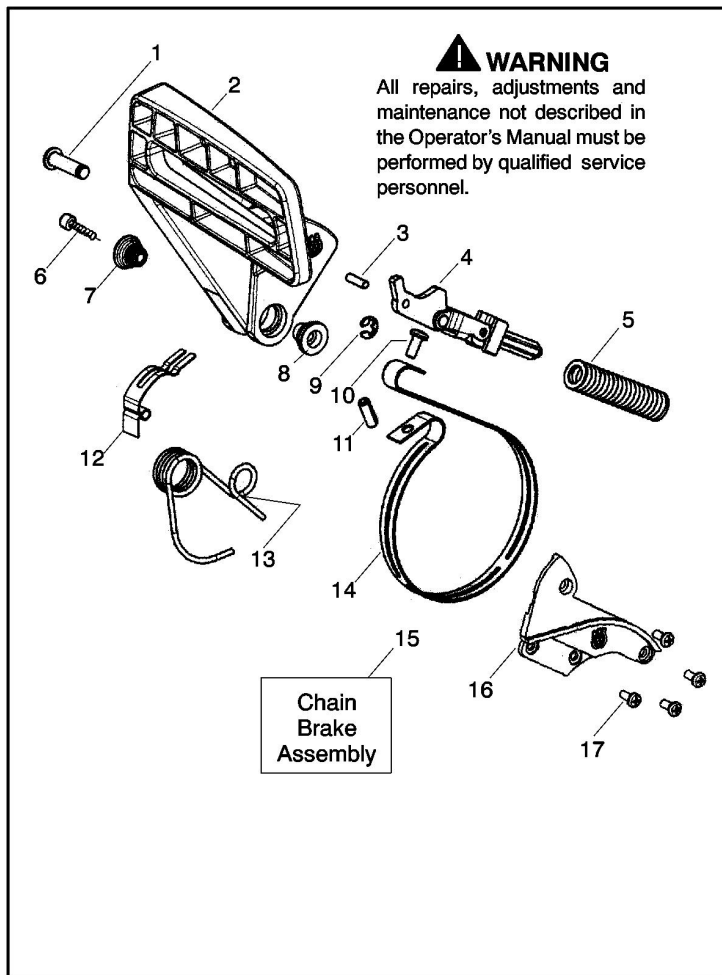
✓ = NEW PART NUMBER FOR THIS IPL
● = THESE PARTS ARE ILLUSTRATED FOR CLARITY. ORDER COMPLETE ASSEMBLY.

Ref	Part No.	Description	QTY	KIT
1	530 02 98-13	JET	1	
2	530 01 92-03	SEALING	1	
3	530 02 98-14	INDUCTION PIPE	1	
4	530 05 34-35	HOSE	1	
5	530 01 58-14	SCREW	1	
6	530 03 74-65	ADAPTER	1	
7	530 01 91-72	GASKET	1	
8	530 07 19-87	CARBURETTOR	1	
9	530 03 55-87	PASSAGE	1	
10	530 04 77-67	SUPPORT	1	
11	530 01 58-96	SCREW	1	
12	530 03 65-82	HOLDER	1	
13	530 01 59-68	SCREW	1	
14	530 01 60-08	NUT	1	
15	545 05 78-01	AIR FILTER COVER	1	
16	530 01 58-99	SCREW	1	
17	530 01 60-44	BOLT	1	
18	530 06 94-15	MUFFLER	1	

Ref	Part No.	Description	QTY	KIT
19	530 03 72-54	MUFFLER	1	
20	530 02 98-10	SCREEN	1	
21	530 03 72-46	FLAME PROTECTION	1	
22	530 03 72-51	MUFFLER	1	
23	530 01 92-05	GASKET	1	
24	530 03 76-40	PLATE	1	
25	530 01 59-02	SCREW	1	
26	530 05 63-63	BEARING	1	
27	530 02 97-94	CRANKSHAFT	1	

CHAIN BRAKE & CLUTCH COVER

PARTS LIST NO. 530165406		Husqvarna® PARTS LIST	CHAIN SAW MODEL(S) 142 Export
DATE 9/18/06	Replaces 530165406 - 05/24/06		Note: Illustration may differ from actual model due to design changes



✓ = NEW PART NUMBER FOR THIS IPL

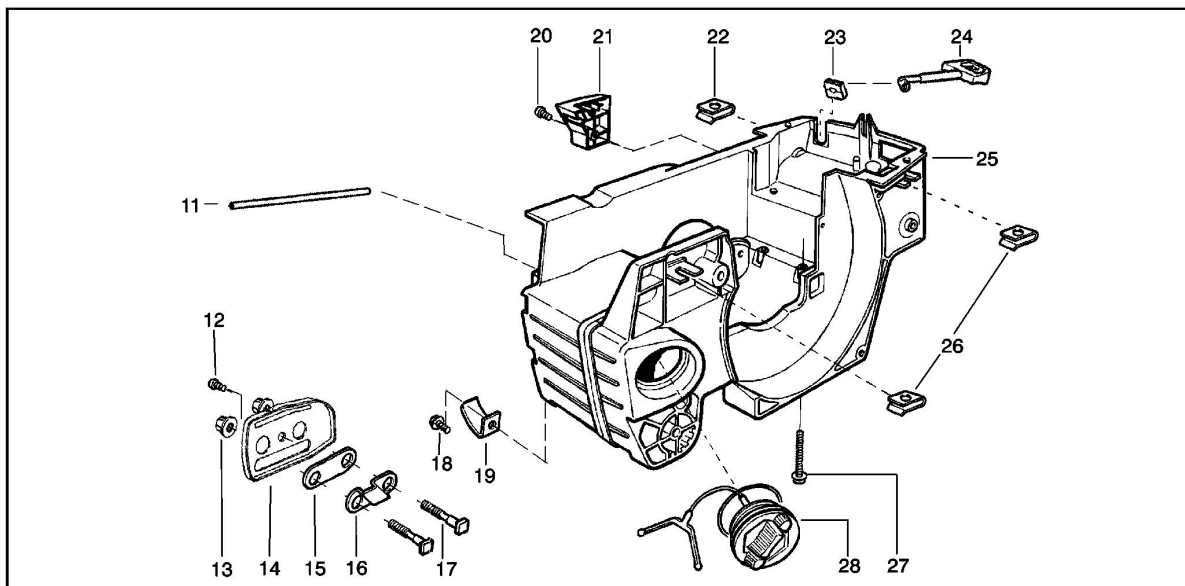
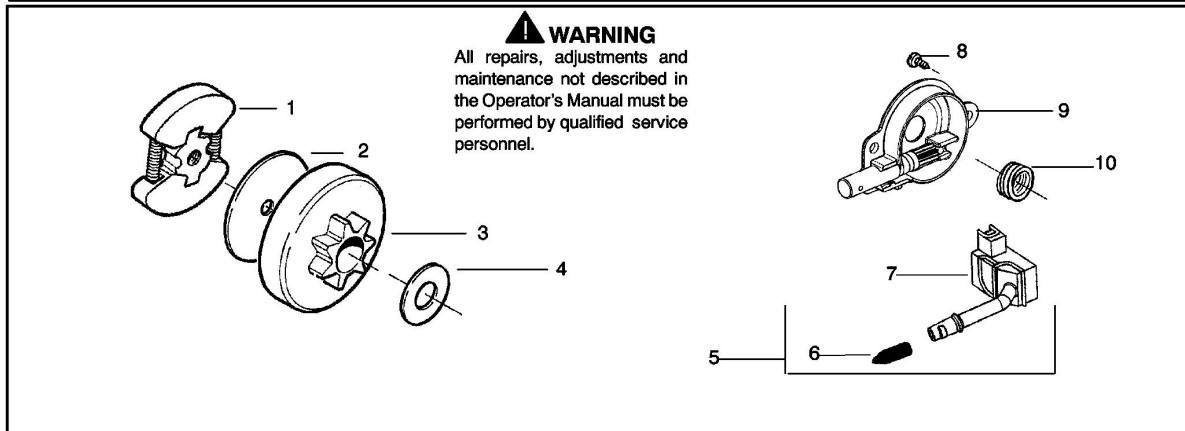
★ = REFER TO THE SERVICE REFERENCE INDICATED FOR MORE INFORMATION. (LOCATED AT END OF IPL)

Ref	Part No.	Description	QTY	KIT
1	530 02 98-79	SCREW	1	
2	530 07 13-48	LEVER	1	
3	530 01 59-15	SCREW	1	
4	530 05 47-41	KNEE LINK	1	
5	530 01 62-37	SPRING	1	
6	530 01 63-84	SCREW	1	
7	530 05 65-31	SHAFT PIVOT	1	
8	530 02 98-81	SHAFT PIVOT	1	
9	530 02 44-19	E-CLIP	1	
10	530 01 59-11	SCREW	1	
11	530 01 59-13	SCREW	1	
12	530 02 98-78	SPRING	1	
13	530 01 59-10	SPRING	1	
14	530 05 22-32	BRAKE BAND	1	
15	530 05 22-32	BRAKE BAND	1	
530054802	530 05 48-02	CHAIN BRAKE ASSY	1	
16	530 05 30-35	COVER	1	
17	530 01 59-11	SCREW	1	

Ref	Part No.	Description	QTY	KIT
18	530 01 61-10	SCREW	1	
19	530 03 85-93	RETAINER	1	
20	530 01 58-26	SCREW	1	
21	530 01 58-26	SCREW	1	
530049483	530 04 94-83	CLUTCH COVER	1	
530031135	530 03 11-35	WRENCH	1	
530047839	530 04 78-39	DECAL	1	
545003026	545 00 30-26	LABEL	1	

CLUTCH & OIL PUMP

PARTS LIST NO. 530165406		Husqvarna® PARTS LIST	CHAIN SAW MODEL(S) 142 Export
DATE 9/18/06	Replaces 530165406 - 05/24/06		NOTE: Illustration may differ from actual model due to design changes



✓ = NEW PART NUMBER FOR THIS IPL * = REFER TO THE SERVICE REFERENCE INDICATED FOR MORE INFORMATION. (LOCATED AT END OF IPL)
● = THESE PARTS ARE ILLUSTRATED FOR CLARITY. ORDER COMPLETE ASSEMBLY.

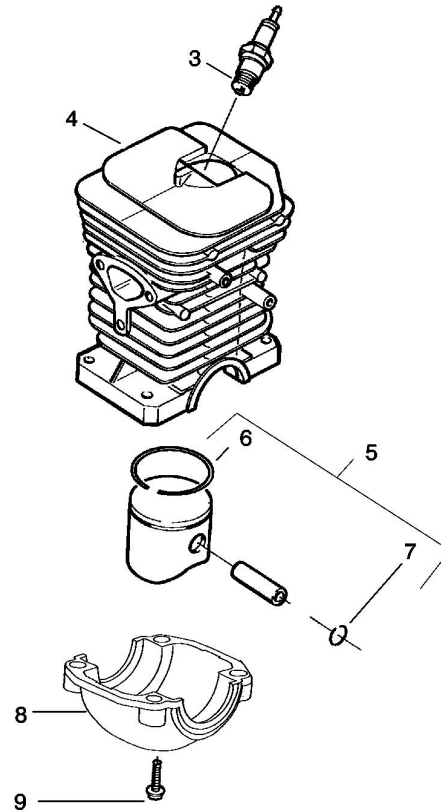
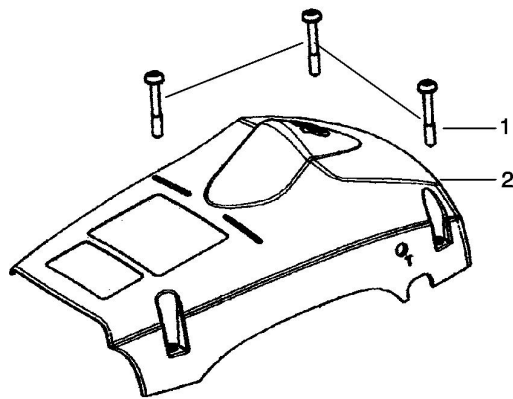
Ref	Part No.	Description	QTY	KIT
1	530 01 49-49	CLUTCH	1	
2	530 01 56-11	WASHER	1	
3	530 01 56-11	WASHER	1	
530047061	530 04 70-61	CLUTCH DRUM	1	
530048132	530 04 81-32	CLUTCH DRUM	1	
4	530 01 59-07	WASHER	1	
5	530 01 47-76	OIL PICK-UP	1	
6	530 05 65-33	SCREEN	1	
7	545 03 71-01	SEALING	1	
8	530 01 58-96	SCREW	1	
9	530 01 44-10	OIL PUMP	1	
10	530 02 98-33	PUMP	1	
11	545 03 35-01	HOSE	1	
12	530 01 58-96	SCREW	1	
13	530 01 59-17	NUT	1	
14	530 04 78-55	PLATE	1	
15	530 01 92-28	SEALING	1	
16	530 03 60-43	SUPPORT	1	

Ref	Part No.	Description	QTY	KIT
17	530 01 58-77	BOLT	1	
18	530 01 58-78	SCREW	1	
19	530 02 98-50	CHAIN CATCHER	1	
20	530 01 58-93	SCREW	1	
21	530 05 24-28	COVER	1	
22	530 01 59-22	NUT	1	
23	530 02 98-30	GUIDE	1	
24	530 02 98-31	CHOKE CONTROL	1	
25	530 07 19-91	CRANKCASE	1	
26	530 01 59-22	NUT	1	
27	530 01 60-37	SCREW	1	
28	501 76 56-02	TANK CAP ASSY	1	

CLUTCH COVER

PARTS LIST NO. 530165406		Husqvarna® PARTS LIST	CHAIN SAW MODEL(s) 142 Export
DATE 9/18/06	Replaces 530165406 - 05/24/06		Note: Illustration may differ from actual model due to design changes

⚠ WARNING
All repairs, adjustments and maintenance not described in the Operator's Manual must be performed by qualified service personnel.



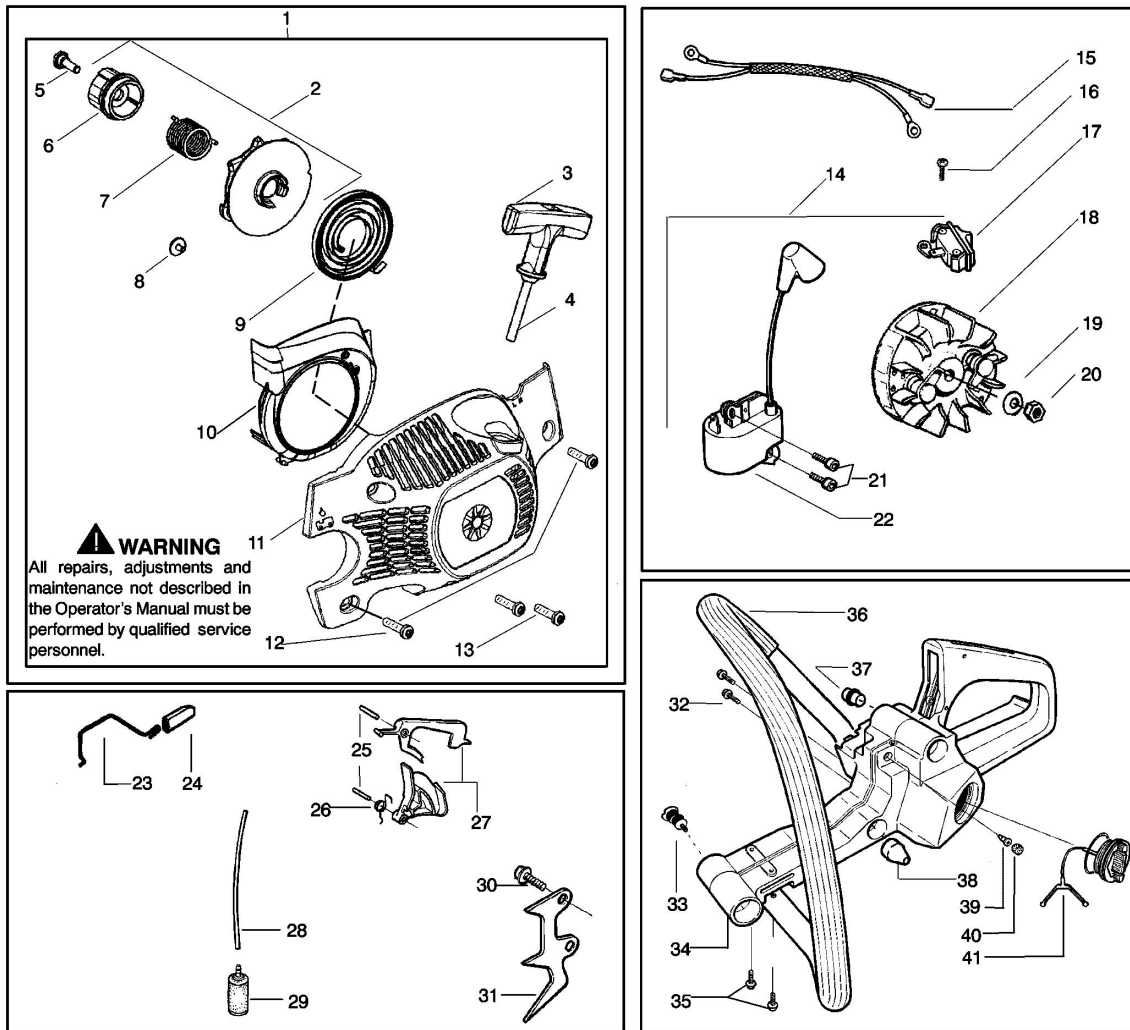
✓ = NEW PART NUMBER FOR THIS IPL

★ = REFER TO THE SERVICE REFERENCE INDICATED FOR MORE INFORMATION. (LOCATED AT END OF IPL)

Ref	Part No.	Description	QTY	KIT
1	530 01 61-54	SCREW	1	
2	530 05 99-60	CYLINDER COVER	1	
3	952 03 01-50	SPARK PLUG,	1	
4	530 06 99-41	CYLINDER	1	
5	530 06 94-54	PISTON	1	
6	530 02 99-82	PISTON RING	1	
7	530 01 56-97	LOCKING RING	1	
8	530 04 97-94	CRANKCASE	1	
9	530 01 58-97	SCREW	1	

STARTER

PARTS LIST NO. 530165406		Husqvarna® PARTS LIST	CHAIN SAW MODEL(s) 142 Export
DATE 9/18/06	Replaces 530165406 - 05/24/06		Note: Illustration may differ from actual model due to design changes



✓ = NEW PART NUMBER FOR THIS IPL * = REFER TO THE SERVICE REFERENCE INDICATED FOR MORE INFORMATION. (LOCATED AT END OF IPL)
● = THESE PARTS ARE ILLUSTRATED FOR CLARITY. ORDER COMPLETE ASSEMBLY.

Ref	Part No.	Description	QTY	KIT
1	530 07 19-68	STARTER DEVICE	1	
2	530 07 19-66	STARTER PULLEY	1	
3	530 15 03-18	HANDLE	1	
4	530 06 92-32	STARTER ROPE	1	
5	530 02 11-79	SCREW	1	
6	530 05 96-77	SLEEVE	1	
7	530 02 11-80	SPRING	1	
8	530 01 60-80	SCREW	1	
9	530 04 20-95	SPRING	1	
10	530 05 99-59	BAFFLE AIR	1	
11	530 05 99-58	STARTER DEVICE	1	
12	530 01 58-93	SCREW	1	
13	530 01 58-92	SCREW	1	
14	530 07 19-67	IGNITION MODULE	1	
15	530 40 32-57	CABLE ASSY	1	
16	530 01 58-96	SCREW	1	
17	503 71 79-01	STOP SWITCH	1	
18	530 05 96-37	FLYWHEEL	1	

Ref	Part No.	Description	QTY	KIT
19	530 01 51-27	WASHER	1	
20	530 01 61-34	NUT	1	
21	545 00 39-02	SCREW	1	
22	530 03 92-39	IGNITION MODULE	1	
23	530 02 98-69	THROTTLE ROD	1	
24	530 02 98-63	CAP	1	
25	530 02 98-60	SCREW	1	
26	530 02 98-61	SPRING	1	
27	530 06 95-87	THROTTLE TRIGGER	1	
28	530 06 92-47	HOSE	1	
29	530 01 44-97	FILTER	1	
30	530 01 64-39	SCREW	1	
31	530 01 43-81	FELLING DOG	1	
32	530 01 59-40	SCREW	1	
33	530 02 98-70	INSULATOR	1	
34	530 05 24-46	TANK	1	
35	530 01 58-43	SCREW	1	
36	530 05 99-61	HANDLE	1	
37	530 05 24-39	MOVEMENT LIMITER	1	
38	530 02 99-84	LIMITER	1	
39	530 02 61-19	CHECK VALVE	1	
40	530 03 82-64	PLUG	1	
41	530 07 12-66	CAP	1	