

SPARE PARTS LIST

MODEL NO. 2414

ITEM	PART NO.	DESCRIPTION	QTY	NOTE
001	911148-2	PAN HEAD SCREW M4X25	1	
002	911148-2	PAN HEAD SCREW M4X25	1	
003	911273-9	PAN HEAD SCREW M5X50	2	
004	911253-5	PAN HEAD SCREW M5X30	1	
005	911148-2	PAN HEAD SCREW M4X25	1	
006	181976-1	HANDLE SET INC. 103	1	
007	*****	*****	***	*****
008	*****	*****	***	*****
009	682507-4	CORD GUARD 12-200	1	
010	665231-4	POWER SUPPLY CORD 1.00-3-2.5	1	
011	911334-5	PAN HEAD SCREW M6X20	1	
012	322049-3	HOOK	1	
013	924206-5	WING BOLT M5X10	1	
014	942101-7	SPRING WASHER 5	1	
015	341395-5	STOPPER PLATE	1	
016	931302-2	HEX. NUT M6	1	
017	931302-2	HEX. NUT M6	1	
018	942151-2	SPRING WASHER 6	1	
019	253011-6	FLAT WASHER 6	1	
020	282013-5	CHAIN	1	
021	265380-3	HEX. BOLT M6X18	1	
022	953106-2	RIVET 0-5	4	
023	*****	*****	***	*****
024	284010-7	REAR COVER	1	
025	651018-0	SWITCH HPAHR2-3S	1	
026	911211-1	PAN HEAD SCREW M5X12	2	
027	646329-6	LINE COIL	1	240V
028	911103-4	PAN HEAD SCREW M4X6	1	
029	263002-9	RUBBER PIN 4	1	
030	643650-4	BRUSH HOLDER CAP 6.5-13.5	2	
031	181044-0	CARBON BRUSH CB-153	1	
032	*****	*****	***	*****
033	681002-1	INSULATION WASHER	2	
034	343299-7	BAFFLE PLATE	1	
035	211066-7	BALL BEARING 6200LLB	1	
036	213051-6	DUST SEAL 10	1	
037	524493-2	FIELD ASS'Y 220V	1	220V
038	911938-3	PAN HEAD SCREW M5X85	2	
039	514543-1	ARMATURE ASS'Y 220V INC. 35,36,40,41,42	1	220V
040	241515-0	FAN 92	1	
041	213202-1	DUST SEAL 15	1	
042	211206-7	BALL BEARING 6202LLB	1	
043	150053-0	SAFETY COVER COMPLETE	1	
044	325517-5	SPINDLE	1	
045	254032-1	WOODRUFF KEY 5	1	
046	211306-3	BALL BEARING 6204LLB	1	
047	263005-3	RUBBER PIN 6	1	
048	263002-9	RUBBER PIN 4	1	
049	231240-1	COMPRESSION SPRING 7	1	
050	325518-3	STOPPER	1	
051	213460-9	O RING 35	1	
052	157331-9	GEAR HOUSING INC. 48,51	1	
053	211061-7	BALL BEARING 6000LLB	1	
054	961060-6	RETAINING RING S-20	1	
055	221628-3	HELICAL GEAR 54	1	
056	157026-4	BEARING HOUSING INC. 47	1	
057	253755-8	FLAT WASHER 20	1	

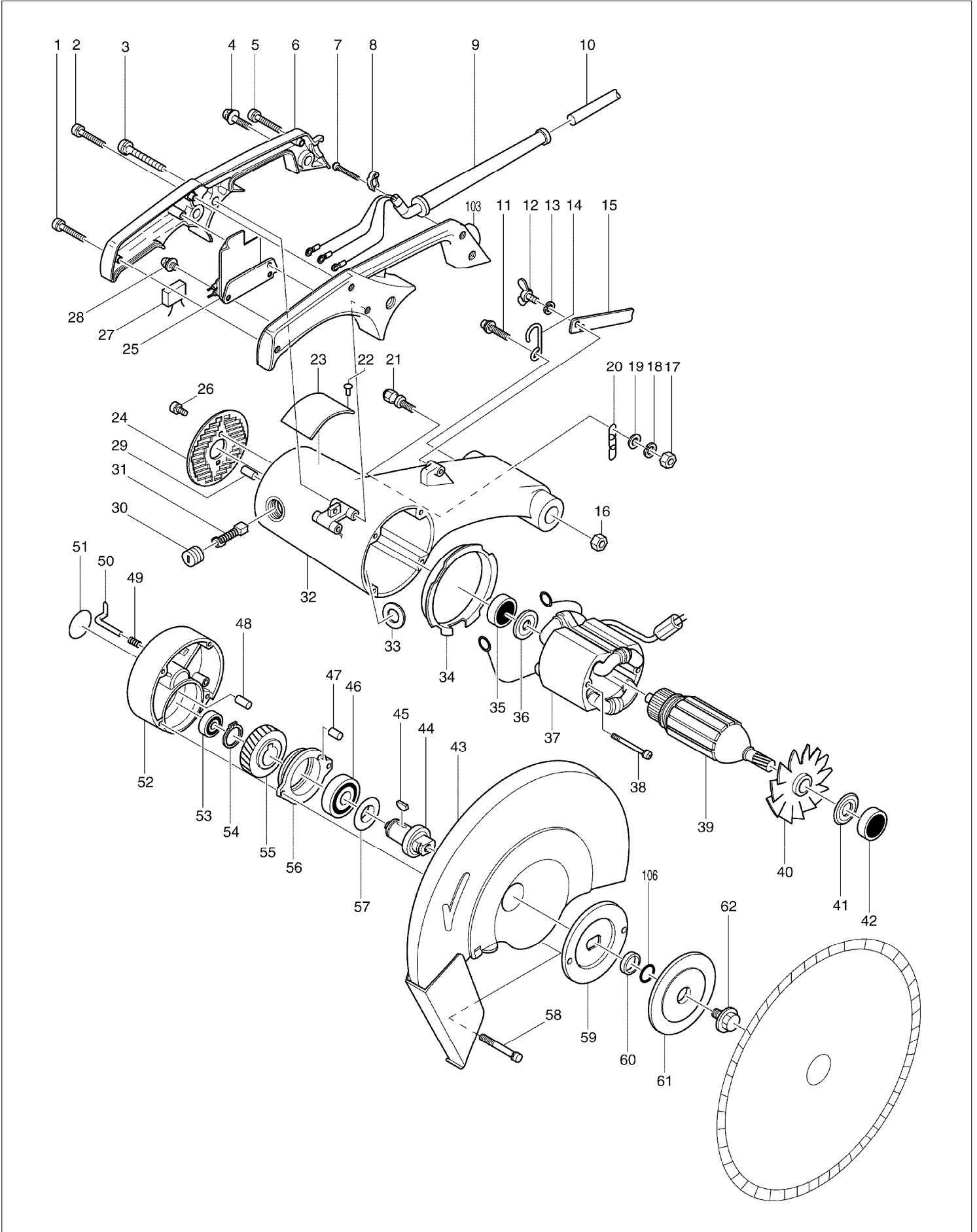
SPARE PARTS LIST

MODEL NO. 2414

ITEM	PART NO.	DESCRIPTION	QTY	NOTE
058	911276-3	PAN HEAD SCREW M5X55	4	
059	224141-0	INNER FLANGE 120	1	
060	257054-0	RING 20	1	
061	224142-8	OUTER FLANGE 120	1	
062	251680-7	HEX. BOLT M10X25	1	
063	253751-6	FLAT WASHER 24	1	
064	251683-1	HEX. BOLT M8X40	1	
065	942201-3	SPRING WASHER 8	1	
066	345141-8	PIPE COVER (L)	1	
067	251683-1	HEX. BOLT M8X40	1	
068	942201-3	SPRING WASHER 8	1	
069	345142-6	PIPE COVER (R)	1	
070	253751-6	FLAT WASHER 24	1	
071	331087-4	PIPE 24	1	
072	231526-3	TORSION SPRING 26	1	
074	265201-9	HEX. BOLT M10X25	2	
076	345145-0	GUIDE PLATE	1	
077	911349-2	PAN HEAD SCREW M6X28	3	
079	421277-8	CUSHION	3	
081	*****	*****	***	*****
082	*****	*****	***	*****
083	132385-7	BASE ASS'Y	1	
084	931402-8	HEX. NUT M8	1	
085	942201-3	SPRING WASHER 8	1	
086	253752-4	FLAT WASHER 8	1	
087	232047-8	LEAF SPRING	1	
088	253011-6	FLAT WASHER 6	1	
089	911316-7	PAN HEAD SCREW M6X14	1	
090	*****	*****	***	*****
091	*****	*****	***	*****
092	342497-0	SCREW COVER	1	
093	*****	*****	***	*****
094	342496-2	CONNECTOR	1	
095	911451-1	PAN HEAD SCREW M8X30	1	
096	*****	*****	***	*****
097	*****	*****	***	*****
098	*****	*****	***	*****
099	*****	*****	***	*****
100	961012-7	STOP RING E-6	1	
101	271607-1	KNOB 20	1	
102	256614-5	PIN 8	1	
103	181976-1	HANDLE SET INC. 6	1	
104	322209-7	VICE NUT	1	
105	819064-1	MAKITA MARK	1	
106	213218-6	O RING 16	1	
400	782210-8	SOCKET WRENCH 17	1	
401	792189-5	CUT-OFF WHEEL 355-NO.10	1	AEPD-007/93

SERVICE DRAWING

MODEL NO. 2414



SERVICE DRAWING

MODEL NO. 2414

