

Электроточило

Комплект поставки:

Диск из корунда А36 - 1 шт. и шлифовальная лента - 1 шт.



Наконечник для пылеотвода

Кнопка для правильного позиционирования шлифовальной ленты

Рычаг для натяжки шлифовальной ленты

Шлифовальная лента для тонкой шлифовки

Регулирующий рычаг для подставки

Стойка защитного экрана

Регулирующая рукоятка

Защитный экран с увеличительной лупой для точной работы

Защитный экран от искр

Screw for adjusting the working surface

Возможность работы с диском при 3820 min⁻¹

Подвижная подставка для детали

Пылезащитный выключатель

Фиксированная установка машины на рабочем столе

Подставка для детали

Технически данни

Модель:	MBGS 200
Потребляемая мощность	900 W
Обороты на холостом ходу	2950 min ⁻¹
Внешний диаметр рабочего диска	200 mm
Диаметр соединительного отверстия	32 mm
Толщина рабочего диска	32 mm
Площадь шлифования	140x100 mm
Размеры ленты	914x100 mm
Кратковременный режим работы S2	30 min
Степень защиты	IP 20
Класс защиты (EN 61029-1)	I
Вес	32,0 kg
EAN:	4021757013866
CAT	13000202700





POWER
TOOLS

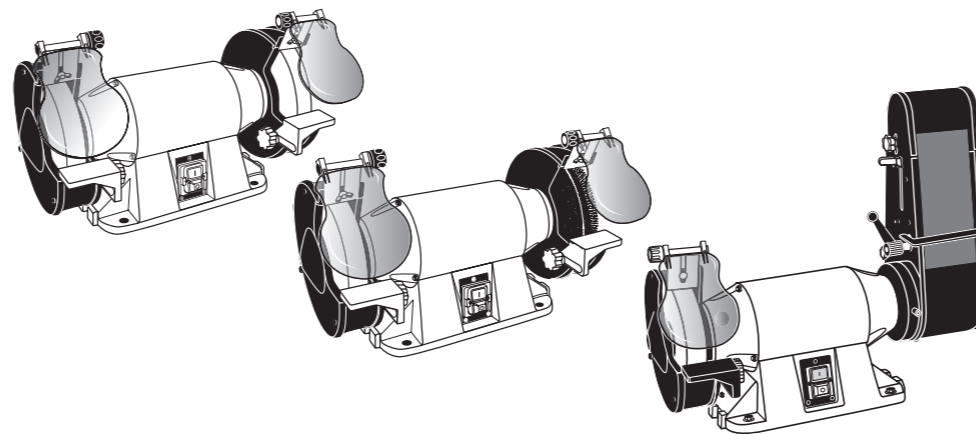
SPARKY

www.sparkygroup.com



PROFESSIONAL

(EN)	DOUBLE BENCH GRINDER	1 – 7
	Original instructions	
(DE)	DOPPELSCHLEIFMASCHINE	8 – 15
	Originalbetriebsanleitung	
(FR)	TOURET À MEULER	16 – 23
	Notice originale	
(IT)	SMERIGLIATRICE	24 – 31
	Istruzioni originali	
(ES)	AFILADORA DE HERRAMIENTAS	32 – 39
	Instrucciones de uso originales	
(PT)	ESMERIL	40 – 47
	Instrução original para o uso	
(PL)	PODWÓJNA SZLIFIERKA STOŁOWA	48 – 55
	Instrukcja oryginalną	
(RU)	ЭЛЕКТРОТОЧИЛО	56 – 64
	Оригинальная инструкция по эксплуатации	
(UK)	ЕЛЕКТРОТОЧИЛО	65 – 72
	Оригінальна інструкція з експлуатації	
(BG)	ШМИРГЕЛ	73 – 80
	Оригинална инструкция за използване	



520W

MBG 150 • MBG 175 • MBGT 150

900W

MBG 200 • MBG 250 • MBGS 200

(EN) DECLARATION OF CONFORMITY

We declare under our sole responsibility that this product fulfils all the relevant provisions of the following directives and the harmonized standards: 2006/42/EC, 2004/108/EC, EN 60745-1, EN 60745-2-4, EN 55014-1, EN 55014-2, EN 61000-3-2, EN 61000-3-3. Technical file is stored at SPARKY ELTOS AG, Kubrat Str. 9, 5500 Lovetch, Bulgaria.

(DE) KONFORMITÄTSEKTLÄRUNG

Hiermit versichern wir unsere persönliche Haftung, dass dieses Erzeugnis allen einschlägigen Bestimmungen folgender Richtlinien und entsprechender harmonisierten Standards entspricht: 2006/42/EC, 2004/108/EC, EN 60745-1, EN 60745-2-4, EN 55014-1, EN 55014-2, EN 61000-3-2, EN 61000-3-3. Die technischen Unterlagen werden bei SPARKY ELTOS AG, Kubrat Str.9, 5500 Lovetch, Bulgarien, aufbewahrt.

(FR) DECLARATION DE CONFORMITE

Nous déclarons sous notre responsabilité que ce produit satisfait à l'ensemble des dispositions pertinentes de la présente directives, respectivement aux normes harmonisées: 2006/42/EC, 2004/108/EC, EN 60745-1, EN 60745-2-4, EN 55014-1, EN 55014-2, EN 61000-3-2, EN 61000-3-3. Le dossier technique est conservé par SPARKY ELTOS AD, 9, rue Kubrat, Lovech, Bulgarie.

(IT) DICHIARAZIONE DI CONFORMITÀ

Noi dichiariamo sotto la nostra personale responsabilità, che questo prodotto è in conformità a tutte le disposizioni pertinenti della presente direttive e norme armonizzate: 2006/42/EC, 2004/108/EC, EN 60745-1, EN 60745-2-4, EN 55014-1, EN 55014-2, EN 61000-3-2, EN 61000-3-3. Il fascicolo tecnico viene custodito presso la SPARKY ELTOS, 5500 Lovech, via Kubrat n. 9, Bulgaria

(ES) DECLARACIÓN DE CONFORMIDAD

Declaramos bajo nuestra exclusiva responsabilidad que este producto está conforme con todas las disposiciones aplicables de la presente directrices aplicables y las correspondientes normas armonizadas: 2006/42/EC, 2004/108/EC, EN 60745-1, EN 60745-2-4, EN 55014-1, EN 55014-2, EN 61000-3-2, EN 61000-3-3. El expediente técnico está archivado en SPARKY ELTOS SA, C/ Kubrat, 9, 5500 Lovech, Bulgaria.

(PT) DECLARAÇÃO DE CONFORMIDADE

Declaramos assumindo a nossa responsabilidade pessoal que este produto está conforme com todas as disposições relevantes da presente directrizes aplicáveis e respectivos estandartes harmonizados: 2006/42/EC, 2004/108/EC, EN 60745-1, EN 60745-2-4, EN 55014-1, EN 55014-2, EN 61000-3-2, EN 61000-3-3. O expediente técnico fica guardado na SPARKY ELTOS SA, rua Kubrat, 9, 5500 Lovech, Bulgária

(PL) DEKLARACJA ZGODNOŚCI

Niniejszym deklarujemy naszą osobistą odpowiedzialnością, że ten produkt spełnia wszystkie odpowiednie postanowienia następujących dyrektyw i harmonizowanych standardów: 2006/42/EC, 2004/108/EC, EN 60745-1, EN 60745-2-4, EN 55014-1, EN 55014-2, EN 61000-3-2, EN 61000-3-3. Teczka techniczna przechowywana jest w SPARKY ELTOS AG, Kubrat Str.9, 5500 Lovetch, Bulgaria

(RU) ДЕКЛАРАЦИЯ О СООТВЕТСТВИИ

Мы заявляем со всей ответственностью, что данный продукт полностью соответствует всем соответствующим требованиям действующих директив и гармонизированных стандартов: 2006/42/EC, 2004/108/EC, EN 60745-1, EN 60745-2-4, EN 55014-1, EN 55014-2, EN 61000-3-2, EN 61000-3-3. Техническое досье хранится в СПАРКИ ЕЛТОС АД, ул. Кубрат №9, 5500 Ловеч, Болгария.

(UK) ДЕКЛАРАЦІЯ ПРО ВІДПОВІДНІСТЬ

Ми заявляємо під свою власну відповідальність, що даний продукт відповідає всім діючим вимогам директив і гармонізованих стандартів: 2006/42/EC, 2004/108/EC, EN 60745-1, EN 60745-2-4, EN 55014-1, EN 55014-2, EN 61000-3-2, EN 61000-3-3. Технічне досьє зберігається в СПАРКИ ЕЛТОС АД, ул. Кубрат № 9, 5500 Ловеч, Болгарія.

(BG) ДЕКЛАРАЦИЯ ЗА СЪОТВЕТСТВИЕ

Ние декларираме на своя лична отговорност, че това изделие отговаря на всички приложими изисквания на следните директиви и хармонизирани стандарти: 2006/42/EC, 2004/108/EC, EN 60745-1, EN 60745-2-4, EN 55014-1, EN 55014-2, EN 61000-3-2, EN 61000-3-3. Техническото досие се съхранява в СПАРКИ ЕЛТОС АД, ул. Кубрат №9, 5500 Ловеч, България.

Manufacturer
SPARKY Power Tools GmbH
Leipziger Str. 20
10117 Berlin, GERMANY

28.12.2009

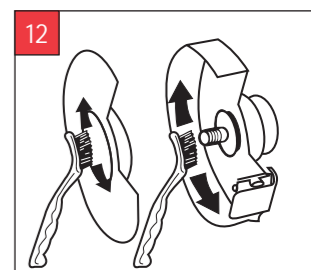
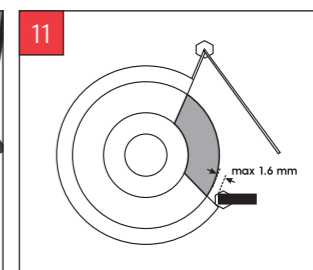
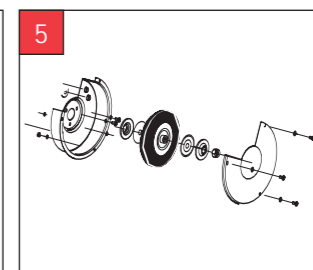
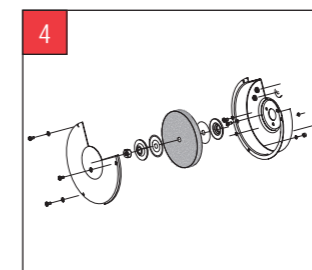
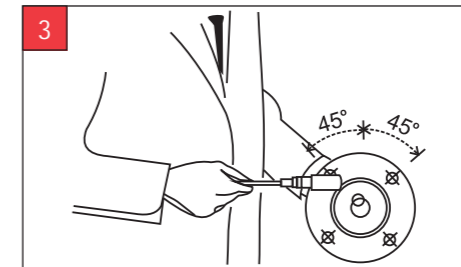
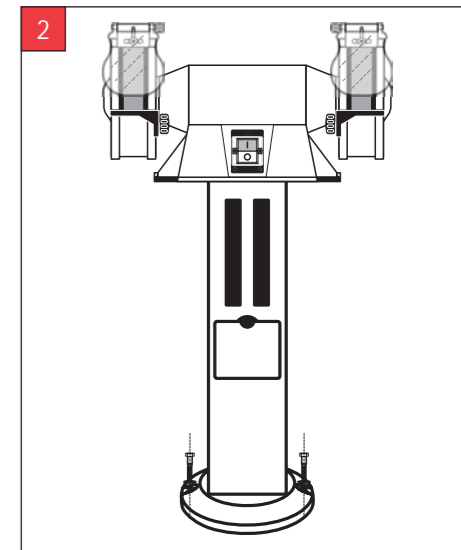
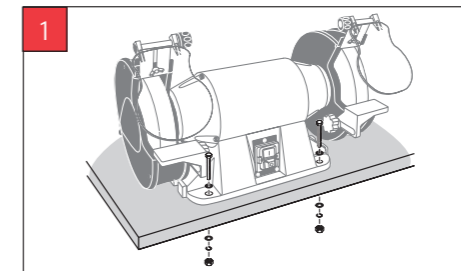
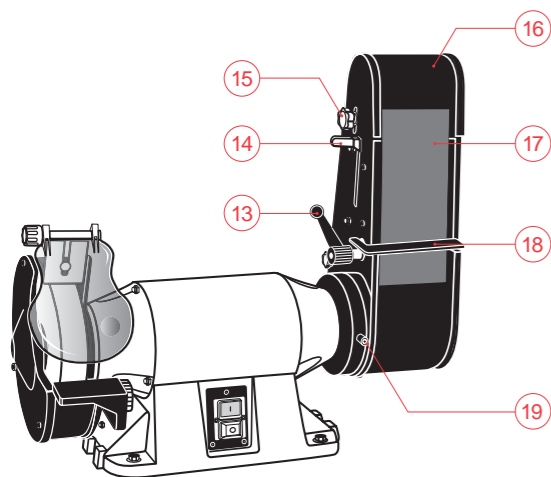
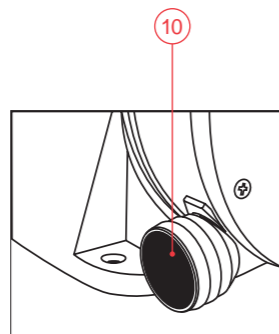
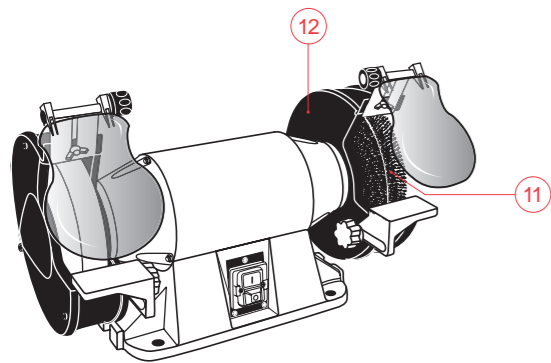
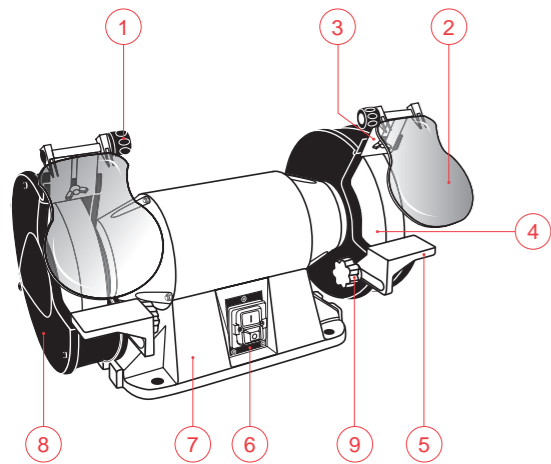
Signature of authorized person

A. Ivanov
Technical director of SPARKY ELTOS AG

1207R03

© 2009 SPARKY

www.sparkygroup.com



Contents

I - Introduction	1
II - Technical specifications	3
III - Safe operation	3
IV - Bench grinder safety warnings	4
V - Know your product	A/5
VI - Operation	5
VII - Maintenance	7
VIII - Warranty	7

UNPACKING

Due to modern mass production techniques, it is unlikely that your power tool is faulty or that a part is missing. If you find anything wrong, do not operate the tool until the parts have been replaced or the fault has been rectified. Failure to do so could result in serious personal injury.

ASSEMBLY

This double bench grinder is packed fully assembled except for the eye shield supports and the tool rests.

I - Introduction

Your new SPARKY power tool will more than satisfy your expectations. It has been manufactured under stringent SPARKY Quality Standards to meet superior performance criteria. You will find your new tool easy and safe to operate, and, with proper care, it will give you many years of dependable service.



WARNING:

Carefully read through this entire Instruction Manual before using your new SPARKY power tool. Take special care to heed the **Warnings**. Your SPARKY power tool has many features that will make your job faster and easier. Safety, performance, and dependability have been given top priority in the development of this tool, making it easy to maintain and operate.



Do not dispose of electrical products together with household waste!

Waste electrical products should not be disposed of with household waste. Please recycle where facilities exist. Check with your local authority or retailer for recycling advice.



ENVIRONMENTAL PROTECTION

The machine, accessories and packaging should be sorted for environmental-friendly recycling. The plastic components are labelled for categorised recycling.

DESCRIPTION OF SYMBOLS

The rating plate on your tool may show symbols. These represent important information about the product or instructions on its use.



Wear safety goggles



Wear hearing protection



Wear a dust mask



Wear safety gloves



Wear non-skid safety shoes



Do not wear loose clothing or jewellery; they can be caught in moving parts



Refer to instruction manual



Conforms to the relevant European Directives



Conforms to the requirements of the German Equipment and Product Safety Act.



Conforms to the requirements of Russian standards



Conforms to the requirements of Ukrainian standards



Class I electrical appliance with protection against electric shock - connected to the protective neutral


YYYY-Www

Production period, where the variable symbols are:
YYYY - year of manufacture, ww - calendar week number

MBG

DOUBLE BENCH GRINDER

II - Technical specifications

Model:		MBG 150	MBG 175	MBG 200	MBG 250	MBGT 150	MBGS 200
▪ Power input	W	520	520	900	900	520	900
▪ No load speed	min ⁻¹	2950	2950	2950	2950	2950	2950
▪ Wheel diameter	mm	150	175	200	250	150	200
▪ Wheel arbor	mm	32	32	32	32	32	32
▪ Wheel thickness	mm	25	25	32	32	25	32
▪ Brush dimensions	mm	-	-	-	-	Ø150x20xØ32	-
▪ Sanding area	mm	-	-	-	-	-	140x100
▪ Belt dimensions	mm	-	-	-	-	-	914x100
▪ Sound pressure level	dB (A)	82,7	82,7	84,1	84,1	82,7	84,1
▪ Sound power level	dB (A)	95,7	95,7	97,1	97,1	95,7	97,1
▪ Short-time duty S2	min	30	30	30	30	30	30
▪ Protection class		IP 20	IP 20	IP 20	IP 20	IP 20	IP 20
▪ Weight (EPTA procedure 11/2005)	kg	16.0	18.0	28.0	32.0	15.5	32.0
▪ Safety class (EN 61029 -1) 		I	I	I	I	I	I

Dust from material such as paint containing lead, some wood species, minerals and metal may be harmful. Contact with or inhalation of the dust may cause allergic reactions and/or respiratory diseases to the operator or bystanders. Certain kinds of dust are classified as carcinogenic such as oak and beech dust especially in conjunction with additives for wood conditioning (chromate, wood preservative). Material containing asbestos must only be treated by specialists.

- Where the use of a dust extraction device is possible it shall be used.
- The work place must be well ventilated.
- The use of a dust mask of filter class P2 is recommended.

Follow national requirements for the materials you want to work with.

III - Safe operation



WARNING! When using electric tools basic safety precautions should always be followed to reduce the risk of fire, electric shock and personal injury including the following.

Read all these instructions before attempting to operate this product and save these instructions.

- Keep work area clear
 - Cluttered areas and benches invite injuries.
- Consider work area environment
 - Do not expose tools to rain.
 - Do not use tools in damp or wet locations.
 - Keep work area well lit.
 - Do not use tools in the presence of flammable liquids or gases.
- Guard against electric shock
 - Avoid body contact with earthed or grounded surfaces (e.g. pipes, radiators, ranges, refrigerators).
- Keep other persons away
 - Do not let persons, especially children, not involved in the work touch the tool or the extension cord and keep them away from the work area.
- Store idle tools
 - When not in use, tools should be stored in a dry locked-up place, out of reach of children.
- Do not force the tool
 - It will do the job better and safer at the rate for which it was intended.
- Use the right tool
 - Do not force small tools to do the job of a heavy duty tool.
 - Do not use tools for purposes not intended; for example do not use circular saws to cut tree limbs or logs.
- Dress properly
 - Do not wear loose clothing or jewellery; they can be caught in moving parts.
 - Non-skid footwear is recommended when working outdoors.
 - Wear protective hair covering to contain long hair.
- Use protective equipment
 - Use safety glasses.
 - Use face or dust mask if working operations create dust.
- Connect dust extraction equipment
 - If the tool is provided for the connection of dust extraction and collecting equipment, ensure these are connected and properly used.
- Do not abuse the cord

- Never yank the cord to disconnect it from the socket. Keep the cord away from heat, oil and sharp edges.
- 12. Secure work
 - Where possible use clamps or a vice to hold the work. It is safer than using your hand.
- 13. Do not overreach
 - Keep proper footing and balance at all times.
- 14. Maintain tools with care
 - Keep cutting tools sharp and clean for better and safer performance.
 - Follow instruction for lubricating and changing accessories.
 - Inspect tool cords periodically and if damaged have them repaired by an authorized service facility.
 - Inspect extension cords periodically and replace if damaged.
 - Keep handles dry, clean and free from oil and grease
- 15. Disconnect tools
 - When not in use, before servicing and when changing accessories such as blades, bits and cutters, disconnect tools from the power supply.
- 16. Remove adjusting keys and wrenches
 - Form the habit of checking to see that keys and adjusting wrenches are removed from the tool before turning it on.
- 17. Avoid unintentional starting
 - Ensure switch is in "off" position when plugging in.
- 18. Use outdoor extension leads
 - When the tool is used outdoors, use only extension cords intended for outdoor use and so marked.
- 19. Stay alert
 - Watch what you are doing, use common sense and do not operate the tool when you are tired.
- 20. Check damaged parts
 - Before further use of tool, it should be carefully checked to determine that it will operate properly and perform its intended function.
 - Check for alignment of moving parts, binding of moving parts, breakage of parts, mounting and any other conditions that may affect its operation.
 - A guard or other part that is damaged should be properly repaired or replaced by an authorized service centre unless otherwise indicated in, this instruction manual.
 - Have defective switches replaced by an authorized service centre.
 - Do not use the tool if the switch does not turn it on and off.
- 21. Warning
 - The use of any accessory or attachment other than one recommended in this instruction manual may present a risk of personal injury.
- 22. Have your tool repaired by a qualified person
 - This electric tool complies with the relevant safety rules. Repairs should only be carried out by qualified persons using original spare parts; otherwise this may result in considerable danger to the user.

IV - Bench grinder safety warnings



WARNING: Before connecting a tool to a power source ensure that the voltage supply is the same as the one specified on the nameplate of the tool.

- A power source with a voltage greater than that specified for the tool can result in serious injury to the user, as well as damage to the tool.
- If in doubt, do not plug in the tool.
- Using a power source with a voltage less than the nameplate rating is harmful to the motor.



WARNING: Always switch off and unplug the power tool prior to any adjustment, servicing or maintenance.

- During operation provide eye protection to prevent eyes from exposure to flying particles. Wear goggles.
- Wear hearing protection during continuous operation. Intense noise loading during operation may damage the operator's hearing.
- Take protective measures against inhalation of dust. Some materials can contain toxic ingredients. Wear a dust mask and work with dust extraction. You must be aware of the harmful influence of dust, the toxicity of dust from certain materials.
- When processing metal parts sparks are produced. Never store inflammable materials close to the machine to prevent fire. We recommend wearing a leather apron.
- During continuous operation the outer metal parts and the accessories get hot. Do not touch the grinding wheels during operation and immediately after that; they may be extremely hot. You may get serious burns.
- Beware your hands from rotating parts.



WARNING: The grinding wheels continue to rotate even after the machine has been switched off.

- Protect the wheels from hits, shocks and contact with oil.
- Never use cracked, injured or deformed wheels.
- Always allow a new wheel to run for a few minutes at full speed before using it. Stand to one side at start up.
- Check that the wheel rotates freely each time before start up.
- Always turn the grinder off when it is not in use and never leave it unattended without first switching off and removing the power plug. Never leave the grinder until the grinding wheels have come to a complete stop.
- Make sure that the wheel is not in contact with the work when you start the grinder.
- Do not operate the bench grinder unless the wheel

guards and the tool rests are properly fitted and secured.

- Do not operate the bench grinder unless the eye shields are dropped down.
- The tool must be used only for its prescribed purpose. Any use other than those mentioned in this Manual will be considered a case of misuse. The user and not the manufacturer shall be liable for any damage or injury resulting from such cases of misuse.
- To use this tool properly, you must observe the safety regulations, the assembly instructions and the operating instructions found in this Manual. All persons who use and service the machine have to be acquainted with this Manual and must be informed about its potential hazards. Children and frail people must not use this tool. Children should be supervised at all times if they are in the area in which the tool is being used. It is also imperative that you observe the accident prevention regulations in force in your area. The same applies for general rules of occupational health and safety.
- The manufacturer shall not be liable for any changes made to the tool nor for any damage resulting from such changes.



WARNING: The use of any accessories or attachments differing from the recommended herewith may present a risk of injury for the operator.

- Power tools must not be used outdoors in rainy weather, or in moist environment (after rain) or in close vicinity with easily flammable liquids and gases. The working place should be well lit.

V - Know your product

Before using the power tool, familiarize yourself with all the operating features and safety requirements.

Use the tool and accessories only for the applications intended. All other applications are expressly ruled out.

1. Knob
2. Eye shield
3. Eye shield support
4. Grinding wheel
5. Tool rest
6. ON/OFF switch
7. Base
8. Wheel guard
9. Adjusting nut
10. Dust extraction port
11. Wire wheel brush (MBGT 150)
12. Brush guard (MBGT 150)
13. Tool rest adjusting lever (MBGS 200)
14. Sanding belt tension lever (MBGS 200)
15. Tracking adjustment knob (MBGS 200)
16. Sanding belt housing (MBGS 200)
17. Sanding belt (MBGS 200)
18. Tool rest
19. Screw (MBGS 200)

VI - Operation

This power tool is supplied from single-phase alternating current mains only. This power tool is Class I according to EN 61029-1 and must not be fitted to sockets without protective earthing. This power tool is radio suppressed in compliance with EMC Directive 2004/108/EC and with EN 61029-1, EN 61029-2-4, EN 55014-1, EN 55014-2, EN 61000-3-2, EN 61000-3-3.

The bench grinder is designed for grinding, sharpening and finishing operations: sharpening of all kind of tools, cleaning metal surfaces and metal sections by means of corundum grinding wheels, wire wheel brush or sanding belt.

PRIOR TO INITIAL OPERATION



WARNING: Always switch off and unplug the power tool prior to any adjustment, servicing or maintenance, including accessory replacement.

- Make sure the power supply voltage corresponds to the value indicated on the name plate with technical data of the tool.
- Connect the power tool to a socket with protective earth contact only.
- Always check the position of ON/OFF switch. The power tool must be connected to the power supply socket only when this switch is in OFF position. If the plug is connected to a receptacle while the power switch is in the ON position, the power tool will start operating immediately, which could cause a serious accident.
- If the supply cord is damaged it must be replaced with a special cord or assembly available from the manufacturer or its service agent to avoid a safety hazard.
- At low temperatures or when the machine has not been used for a long time, let the machine operate at no load for a while.
- Place the bench grinder firmly on a flat work bench. The power tool can be fastened to a work bench (Fig.1) or special stand SBG 80 (delivered separately) by M10 bolts. The bench grinder stand SBG 80 can be fastened to the floor by means of two M12 bolts (Fig.2).

ASSEMBLY



WARNING: Always switch off and unplug the power tool prior to any adjustment, servicing or maintenance.

- Inspect visually the grinding wheels (4) for mechanical damages.
- Check all fasteners. Ensure that the screws fixing the wheel guards are securely tightened.
- Install the tool rests (5) and adjust their position. The distance between the tool rest (5) and the wheel (4) must not exceed 1.6 mm. Tighten the adjusting nuts (9).

- Mount the eye shield supports (3). During normal operation the operator must have a clear view of the grinding wheels (4) through the eye shields (2).



WARNING: Never operate the bench grinder without the wheel guards and the eye shields.

- After assembling the machine connect the dust port (10) to a dust extraction system.

WHEEL REPLACEMENT



WARNING: Always switch off and unplug the power tool prior to any adjustment, servicing or maintenance, including accessory replacement.



WARNING: Use only grinding wheels with dimensions and peripheral speed, corresponding to the specification of the bench grinder.

To replace a grinding wheel perform the following operations:

1. Inspect the new grinding wheel for visible defects. Then insert your forefinger into the wheel arbor and tap it gently with a light non-metallic object (for example with a screwdriver handle or a mallet) (Fig. 3). The sound emitted by the wheel should be clear and ringing. A damaged wheel will respond with a dull thud; in this case the wheel has inner cracks and defects and must be discarded.

NOTE: The wheel you intend to test must be dry. Damp wheels emit a dull thud.



WARNING: Never use damaged wheels!

2. Remove the wheel guard (8).
3. Holding the wheel (4) firmly with one hand, remove the nut and the outer flange from the spindle with a spanner (Fig. 4). Please note that the left wheel nut is left-threaded, and the right wheel nut is right-threaded.
4. Remove the old wheel and replace it with the new one.
5. Place back the flange and the nut. Do not over-tighten the nut. Inspect the wheel visually for faults resulting from tightening.
6. Re-install the wheel guard (8) and fasten it tightly.
7. Run the bench grinder for a couple of minutes at no load to assure that the wheel rotates freely and is well balanced.

BRUSH REPLACEMENT (MBGT 150)



WARNING: Always switch off and unplug the power tool prior to any adjustment, servicing or maintenance, including accessory replacement.

To replace the brush (11) perform the following operations:

1. Remove the brush guard (12).
2. Remove the nut and the outer flange. Please note that the nut is right-threaded (Fig. 5).
3. Remove the old brush and replace it with the new one.
4. Place back the flange and tighten the nut. Do not over-tighten the nut.
5. Re-install the brush guard and fasten it tightly.
6. Run the bench grinder for a couple of minutes at no load to assure that the brush rotates freely and is well balanced.

BELT REPLACEMENT (MBGS 200)



WARNING: Always switch off and unplug the power tool prior to any adjustment, servicing or maintenance, including accessory replacement.

1. Pull the belt tension lever (14) and slide off the old belt. (Fig. 6)
2. Check that the replacement belt fits well and is not frayed at the edges.
3. The arrows on the belt shall point to the same direction as the arrow on the belt housing (16).
4. Place the tension lever (14) back in its initial position. (Fig. 7)
5. Plug the machine to a power source and switch it on. Allow the belt to rotate for a short period.
6. Whilst the belt is running, use the tracking knob (15) to align the belt to the centre of the roller. (Fig. 8)
7. Repeat these operations until the belt is properly aligned.
8. Place the belt housing (16) in the desired operating position by means of the inner hex screw (19) (Fig. 9)
9. Adjust the tool rest (18) position in relation to the belt by means of the lever (13). (Fig. 10)

MACHINED PIECE DIMENSIONS

The overall dimensions and weight of the machined piece shall ensure easy machining without preliminary fixing and should not hamper the operator's natural posture during work.

OPERATING THE BENCH GRINDER

- Do not overload the power tool. Excessive pressure may result in motor overheating and untimely wheel wear.



WARNING: Excessive pressure on a cold wheel may cause the wheel to crack.

- Do not use this power tool for purposes it was not designed for.
- Strictly observe the above mentioned instructions for replacing the accessories.
- Remove all spanners and parts from the power tool and in the near vicinity prior to beginning of operation.
- The eye shields position can be adjusted to ensure proper view on the work area for the operator.
- Check and adjust if necessary the tool rests position

so that the distance between each one and the wheel does not exceed 1.6 mm (Fig.11). Adjust regularly the distance between the wheel and the tool rest as the diameter of the wheel decreases with use. This will ensure the proper angle for sharpening and hence - high efficiency. The tool rests shall be used always in horizontal position.

- When you switch the machine on let it operate at no load until the motor gains full speed.



WARNING: Never use accessories or attachments differing from those recommended in this manual.



WARNING: Never sharpen or grind parts made of aluminium, brass, or copper.

- While grinding, rest the machined piece against the wheel front surface, do not grind on the wheel flat side. Overloading the wheel side surfaces is dangerous and must not be attempted.



WARNING: In normal brushing operations, the material being removed will fly off the brush with considerable force along with brush filaments which break off due to fatigue. Do not operate the bench grinder unless the eye shields are dropped down or without goggles.

- Avoid excessive pressure when using the brush. Excessive pressure causes over-bending of the filaments, filament breakage, and reduced brush life.



WARNING: Never exceed the recommended Maximum Safe Free Speed R.P.M. (MSFS) rating of the brush.

- Do not continue to use worn, torn or heavily clogged sanding belts.
- Do not touch the moving sanding belt.

SWITCHING ON - SWITCHING OFF

Switching on: Press the START button "I" of the switch (6).
Switching off: Press the STOP button "O" of the switch (6).

ACCESSORIES

MBG 150, MBG 175, MBG 200, MBG 250: Raw wheel - 1 pc., finishing wheel - 1 pc.

MBGT 150: Raw wheel - 1 pc., crimped wire wheel brush with 0.3 mm brass filaments - 1 pc.

MBGS 200: Raw wheel - 1 pc., sanding belt - 1 pc.



WARNING: The bench grinder can be operated with other grit wheels with maximum allowable wheel speed > 3000 min⁻¹

VII - Maintenance



WARNING: Always ensure that the tool is switched off and unplugged before attempting to perform inspection or maintenance.

This power tool does not require any special maintenance. If the bench grinder should happen to fail despite the care taken, please notify the authorised service centres for warranty and post-warranty servicing of SPARKY power tools.

GENERAL INSPECTION

Regularly inspect all fasteners and ensure they are properly tightened. Should any of the screws be loose, retighten it immediately to avoid hazards.

If the replacement of the supply cord is necessary, this has to be done by the manufacturer or his agent in order to avoid a safety hazard.

CLEANING

Clean the spindle and the wheel guards from time to time (Fig.12). Exterior parts may be cleaned with a damp cloth and mild detergent if necessary.

Never use alcohol, petrol or other cleaning agent.

Never use caustic agents to clean plastic parts.



WARNING: Water must never come into contact with the tool.

VIII - Warranty

The guarantee period for SPARKY power tools is determined in the guarantee card.

Faults due to normal wear, overloading or improper handling will be excluded from the guarantee.

Faults due to defective materials implemented as well as defects in workmanship will be corrected free of charge through replacement or repair.

The complaints for defective SPARKY power tools will be recognized if the machine is sent back to the dealer or is presented to the authorised warranty service centre undismantled, in its initial condition.

Notes

Carefully read the entire original instructions before using this product.

The manufacturer reserves the right to make changes and improvements to the products and to alter specifications without prior notice.

Specifications may differ from country to country.

Inhalt

I - Einführung	8
II - Technische Daten	10
III - Sicheres Arbeiten	10
IV - Zusätzliche Sicherheitshinweise für Doppelschleifmaschinen	11
V - Elemente des Elektrowerkzeuges	A/12
VI - Betriebshinweise	12
VII - Wartung	15
VIII - Garantie	15

AUSPACKEN

Überprüfen Sie unmittelbar nach dem Auspacken ob sämtliche Bestandteile und das beschriebene Zubehör mitgeliefert wurden. Sollte dies nicht der Fall sein, wenden Sie sich bitte umgehend an Ihren Fachhändler bei dem die Säge gekauft wurde. Dies trifft auch dann zu, wenn Sie den Eindruck haben mit dem Gerät ist etwas nicht in Ordnung. Eine Nichtbeachtung dieser Empfehlung kann zu schweren Unfällen führen.

ZUSAMMENBAU

Die Doppelschleifmaschine wird in Verpackung und komplett zusammengebaut, mit Ausnahme der Schutzbleche und der Werkstückauflagen geliefert.

I - Einführung

Das von Ihnen erworbene Elektrowerkzeug wird Ihre Erwartungen übersteigen. Es ist gemäß den hohen Qualitätsstandards von SPARKY hergestellt, die den strengen Anforderungen des Verbrauchers entsprechen. Einfach in der Bedienung und ungefährlich bei richtiger Handhabung, wird dieses Gerät bei bestimmungsgemäßem Gebrauch Ihnen lange Jahre zuverlässig dienen.

WARNUNG!



Lesen Sie die ganze Bedienungsanleitung aufmerksam durch, bevor Sie das neu erworbene SPARKY – Elektrowerkzeug in Betrieb nehmen. Beachten Sie besonders die Texte, die mit dem Wört „**Warnung**“ beginnen. Ihr SPARKY - Elektrowerkzeug besitzt viele Eigenschaften, die Ihre Arbeit erleichtern werden. Bei der Entwicklung dieses Elektrowerkzeuges ist höchste Aufmerksamkeit der Sicherheit, den Betriebseigenschaften und der Zuverlässigkeit gewidmet worden, die es einfach zur Wartung und Bedienung machen.



Keine elektrischen Geräte zusammen mit dem Hausmüll wegwerfen!

Die Abfälle von elektrischen Erzeugnissen sollen nicht zusammen mit dem Hausmüll gesammelt werden. Für eine umweltgerechte Entsorgung geben Sie Ihre alten / defekten Elektrogeräte bitte in der nächsten kommunalen Sammelstelle ab.



UMWELTSCHUTZ

Angesichts des Umweltschutzes sollten das Elektrowerkzeug, die Zubehörteile und die Verpackung einer geeigneten Wiederverwertung zugeführt werden. Zum sortenreinen Recycling sind die Teile, hergestellt aus Kunststoffen, entsprechend gekennzeichnet.

BEDEUTUNG DER SYMBOLE

Auf dem Typenschild des Elektrowerkzeuges sind spezielle Symbole dargestellt. Sie stellen wichtige Information über das Produkt oder Instruktionen für seine Nutzung dar.



Schutzbrille tragen



Gehörschutz tragen



Staubmaske tragen



Handschuhe tragen



Nur sichere, nicht rutschende Schuhe tragen



Wenn notwendig, auch Schürze tragen. Bei langen Haaren Haarschutz tragen.
Nur mit eng anliegender Kleidung arbeiten



Lesen Sie die Bedienungsanleitung



Entspricht den einschlägigen Europäischen Richtlinien



Entspricht der deutschen Verordnung über die Einrichtung- und Produktsicherheit



Entspricht den Anforderungen der russischen normativen Dokumente



Entspricht den Anforderungen der ukrainischen normativen Dokumente



Schutzklasse I. Elektrogerät mit Schutzleiter zur Verhinderung eines elektrischen Schlags verbunden mit Neutralleiter


YYYY-Www

Zeitabschnitt der Produktion, wobei die variablen Symbole sind:
YYYY - Kalenderjahr der Produktion, ww - laufende Kalenderwoche

MBG

DOPPELSCHLEIFMASCHINE

II - Technische Daten

Modell:		MBG 150	MBG 175	MBG 200	MBG 250	MBGT 150	MBGS 200
▪ Nennaufnahmeleistung	W	520	520	900	900	520	900
▪ Leerlaufdrehzahl	min ⁻¹	2950	2950	2950	2950	2950	2950
▪ Schleifscheibenaussen- durchmesser	mm	150	175	200	250	150	200
▪ Durchmesser der Anschlussöffnung der Schleifscheibe	mm	32	32	32	32	32	32
▪ Dicke der Schleifscheibe	mm	25	25	32	32	25	32
▪ Drahtbürstenmaße	mm	-	-	-	-	Ø150x20xØ32	-
▪ Schleiffläche	mm	-	-	-	-	-	140x100
▪ Schleifbandabmessungen	mm	-	-	-	-	-	914x100
▪ Schalldruckpegel	dB (A)	82,7	82,7	84,1	84,1	82,7	84,1
▪ Geräuschpegel	dB (A)	95,7	95,7	97,1	97,1	95,7	97,1
▪ Kurzbetrieb S2	min	30	30	30	30	30	30
▪ Schutzstufe		IP 20	IP 20	IP 20	IP 20	IP 20	IP 20
▪ Gewicht (EPTA Verfahren 11/2005)	kg	16.0	18.0	28.0	32.0	15.5	32.0
▪ Schutzklasse (EN 61029 -1) 							

Stäube von Materialien wie bleihaltigem Anstrich, einigen Holzarten, Mineralien und Metall können gesundheitsschädlich sein. Berühren oder Einatmen der Stäube können allergische Reaktionen und/oder Atemwegserkrankungen des Benutzers oder in der Nähe befindlicher Personen hervorrufen.

Bestimmte Stäube wie Eichen- oder Buchenstaub gelten als krebserzeugend, besonders in Verbindung mit Zusatzstoffen zur Holzbehandlung (Chromat, Holzschutzmittel). Asbesthaltiges Material darf nur von Fachleuten bearbeitet werden.

- Benutzen Sie möglichst eine Staubabsaugung.
- Sorgen Sie für gute Belüftung des Arbeitsplatzes.
- Es wird empfohlen, eine Atemschutzmaske mit Filterklasse P2 zu tragen.

Beachten Sie in Ihrem Land gültige Vorschriften für die zu bearbeitenden Materialien.

III - Sicheres Arbeiten



WARNUNG! Wenn Elektrowerkzeuge eingesetzt werden, müssen die grundlegenden Sicherheitsvorkehrungen befolgt werden, um die Risiken von Feuer, elektrischem Schlag und Verletzungen von Personen auszuschließen, einschließlich dem folgenden.

Bewahren Sie alle Sicherheitshinweise und Anweisungen für die Zukunft auf.

- Halten Sie Ihren Arbeitsbereich in Ordnung!
 - Unordnung im Arbeitsbereich kann Unfälle zur Folge haben.
- Berücksichtigen Sie Umgebungseinflüsse!
 - Setzen Sie Werkzeuge nicht dem Regen aus.
 - Benützen Sie Werkzeuge nicht in feuchter oder nasser Umgebung.
 - Sorgen Sie für gute Beleuchtung.
 - Benützen Sie Werkzeuge nicht in der Nähe von brennbaren Flüssigkeiten oder Gasen.
- Schützen Sie sich vor elektrischem Schlag!
 - Vermeiden Sie Körperberührung mit geerdeten Teilen.
- Halten Sie andere Personen fern!
 - Lassen Sie andere Personen, insbesondere Kinder, nicht das Werkzeug oder das Kabel berühren. Halten Sie sie von Ihrem Arbeitsbereich fern.
- Bewahren Sie Ihre Werkzeuge auf!
 - Unbenutzte Geräte sollten an einem trockenen, verschlossenen Ort und außerhalb der Reichweite von Kindern aufbewahrt werden.
- Überlasten Sie Ihr Werkzeug nicht!
 - Sie arbeiten besser und sicherer im angegebenen Leistungsbereich.
- Benutzen Sie das richtige Werkzeug!
 - Verwenden Sie keine leistungsschwachen Maschinen für schwere Arbeiten.
 - Benutzen Sie Werkzeuge nicht für Zwecke, für die sie nicht bestimmt sind. Benützen Sie z. B. keine Handkreissägen zum Schneiden von Ästen oder Holzschichten.
- Tragen Sie geeignete Arbeitskleidung!
 - Tragen Sie keine weite Kleidung oder Schmuck, sie können von beweglichen Teilen erfasst werden.
 - Bei Arbeiten im Freien ist rutschfestes Schuhwerk

- empfehlenswert.
- Tragen Sie bei langen Haaren ein Haarnetz.
9. Benutzen Sie Schutzausrüstung!
 - Tragen Sie eine Schutzbrille.
 - Verwenden Sie bei stauberzeugenden Arbeiten eine Atemmaske.
 10. Schließen Sie die Staubabsaug-Einrichtungen an!
 - Falls Anschlüsse zur Staubabsaugung und Auf-fangeinrichtung vorhanden sind, überzeugen Sie sich, daß diese angeschlossen und benützt werden.
 11. Verwenden Sie das Kabel nicht für Zwecke, für die es nicht bestimmt ist!
 - Benützen Sie das Kabel nicht, um den Stecker aus der Steckdose zu ziehen. Schützen Sie das Kabel vor Hitze, Öl und scharfen Kanten.
 12. Sichern Sie das Werkstück!
 - Benützen Sie Spannvorrichtungen oder einen Schraubstock, um das Werkstück festzuhalten. Es ist damit sicherer gehalten als mit Ihrer Hand.
 13. Vermeiden Sie abnormale Körperhaltung!
 - Sorgen Sie für sicheren Stand und halten Sie jederzeit das Gleichgewicht.
 14. Pflegen Sie Ihre Werkzeuge mit Sorgfalt!
 - Halten Sie die Werkzeuge scharf und sauber, um besser und sicherer arbeiten zu können.
 - Befolgen Sie die Wartungsvorschriften und die Hinweise über den Werkzeugwechsel.
 - Kontrollieren Sie regelmäßig das Kabel des Werkzeugs und lassen Sie es bei Beschädigung von einem anerkannten Fachmann erneuern.
 - Kontrollieren Sie Verlängerungskabel regelmäßig und ersetzen Sie sie, wenn sie beschädigt sind.
 - Halten Sie Handgriffe trocken und frei von Öl und Fett.
 15. Ziehen Sie den Stecker aus der Steckdose:
 - bei Nichtgebrauch des Werkzeugs, vor der Wartung und beim Wechsel von Werkzeugen wie z. B. Sägeblatt, Bohrer, Fräser.
 16. Lassen Sie keine Werkzeugschlüssel stecken!
 - Überprüfen Sie stets vor dem Einschalten, daß Schlüssel und Einstellwerkzeuge entfernt sind.
 17. Vermeiden Sie unbeabsichtigten Anlauf!
 - Vergewissern Sie sich, daß der Schalter beim Einstecken des Steckers in die Steckdose ausgeschaltet ist.
 18. Verlängerungskabel im Freien
 - Verwenden Sie im Freien nur dafür zugelassene und entsprechend gekennzeichnete Verlängerungskabel.
 19. Seien Sie aufmerksam!
 - Achten Sie darauf, was Sie tun. Gehen Sie mit Vernunft an die Arbeit. Benutzen Sie das Werkzeug nicht, wenn Sie müde sind.
 20. Überprüfen Sie das Werkzeug auf eventuelle Beschädigungen!
 - Vor weiterem Gebrauch des Werkzeugs müssen Schutzvorrichtungen oder leicht beschädigte Teile sorgfältig auf ihre einwandfreie und bestimmungsgemäße Funktion untersucht werden.
 - Überprüfen Sie, ob die beweglichen Teile einwandfrei funktionieren und nicht klemmen oder ob Teile beschädigt sind. Sämtliche Teile müssen richtig montiert sein und alle Bedingungen erfüllen, um

den einwandfreien Betrieb des Werkzeugs sicherzustellen.

- Beschädigte Schutzvorrichtungen und Teile müssen sachgemäß durch eine anerkannte Fachwerkstatt repariert oder ausgewechselt werden, soweit nichts anderes in der Gebrauchsanweisung angegeben ist.
 - Lassen Sie beschädigte Schalter durch eine Kundendienstwerkstatt auswechseln.
 - Benutzen Sie keine Werkzeuge, bei denen sich der Schalter nicht ein- und ausschalten läßt.
21. WARNUNG!
 - Der Gebrauch anderer Einsatzwerkzeuge und anderen Zubehörs kann eine Verletzungsgefahr für Sie bedeuten.
 22. Lassen Sie Ihr Werkzeug durch eine Elektrofachkraft reparieren!
 - Dieses Werkzeug entspricht den einschlägigen Sicherheitsbestimmungen. Reparaturen dürfen nur durch eine Elektrofachkraft ausgeführt werden, indem Originalersatzteile verwendet werden; andernfalls können Unfälle für den Benutzer entstehen.

IV - Zusätzliche Sicherheits-hinweise für Doppelschleifmaschinen



WARNUNG: Netzspannung beachten! Vor Anschluss des elektrischen Geräts prüfen, ob die auf dem Leistungsschild angegebene Spannung der Netzspannung entspricht.

- Höhere Netzspannung als die auf dem Leistungsschild angegebene Spannung kann zu schweren Verletzungen von Personen und vom elektrischen Gerät führen.
- Sind Sie nicht sicher, stecken Sie nicht den Anschlussstecker des elektrischen Gerätes in die Steckdose ein.
- Netzspannung, die niedriger als die auf dem Leistungsschild angegebene Spannung ist, kann den Elektromotor beschädigen.



WARNUNG: Ziehen Sie den Stecker aus der Steckdose, bevor Sie Geräteeinstellungen oder Wartung vornehmen, Zubehörteile wechseln oder das Gerät weglegen.

- Tragen Sie persönliche Schutzausrüstung und immer eine Schutzbrille.
- Gehörschutz tragen! Das intensive Geräusch während der Arbeit kann Hörverletzungen verursachen.
- Bei stauberzeugenden Arbeiten die Unfallverhütungsvorschriften beachten! Einige Materialien können Giftstoffe enthalten. Tragen Sie eine Staubmaske. Informieren Sie sich über die Gefährdungen durch Staub und die Toxizität des Staubs von bestimmten

Materialien.

- Beim Schleifen von Metallen entsteht Funkenflug. Darauf achten, dass keine Personen gefährdet werden. Wegen der Brandgefahr dürfen sich keine brennbaren Materialien in der Nähe (Funkenflugbereich) befinden. Wenn notwendig, auch Schürze tragen.
- Nach längerem Betrieb können sich die äusseren Metallteile und Zubehör erwärmen. Berühren Sie nicht die Oberfläche des Gerätes oder des bearbeiteten Werkstücks gleich nach der Arbeit – es besteht die Gefahr vor Hautverbrennung.
- Halten Sie die Hände fern von sich bewegenden Teilen. Greifen Sie niemals in sich bewegende (umlaufende) Teile.



WARNUNG: Nie in die laufende Schleifscheibe greifen. Die Schleifscheiben laufen nach Ausschalten der Maschine weiter.

- Schleifwerkzeug vor Schlag, Stoß und Fett schützen.
- Beschädigte, unrunde oder vibrierende Schleifscheiben nicht verwenden.
- Die neuen Schleifscheiben müssen einwandfrei montiert sein und sich frei drehen können. Probelauf mindestens ein paar Minuten ohne Belastung durchführen. Beim Einschalten nicht direkt vor der Maschine stehen.
- Prüfen Sie vor jeder Benutzung, ob sich die Schleifscheibe frei drehen kann.
- Schalten Sie die Maschine nach jedem Gebrauch aus und ziehen Sie den Stecker aus der Steckdose. Warten Sie, bis die Schleifscheiben nicht mehr laufen, bevor Sie Ihren Arbeitsplatz verlassen.
- Bevor Sie die Maschine einschalten, stellen Sie sicher, dass die Schleifscheibe das Werkstück nicht berührt.
- Das Gerät darf nur mit richtig montierten und befestigten Schutzvorrichtungen und Werkzeugaufgaben betrieben werden.
- Das Gerät darf nur mit den zugehörigen Schutzvorrichtungen / Schutzblech/Funkenschutz/ betrieben werden.
- Verwenden Sie elektrische Geräte, Zubehör, Einsatzwerkzeuge usw. entsprechend diesen Anweisungen und so, wie es für diesen speziellen Gerätetyp vorgeschrieben ist. Der Gebrauch von elektrischen Geräten für andere als die vorgesehenen Anwendungen kann zu gefährlichen Situationen führen. Die Verantwortung für jede Beschädigung oder Verletzung trägt in diesem Fall der Verbraucher und nicht der Hersteller.
- Um mit diesem elektrischen Gerät richtig umzugehen, müssen Sie die Sicherheitshinweise und die hier angegebenen allgemeinen Betriebsanleitungen berücksichtigen. Alle Benutzer sind mit dieser Betriebsanleitung und den Sicherheitshinweisen bekanntzumachen. Niemals Kindern die Benutzung des Gerätes gestatten. Lassen Sie Personen das elektrische Gerät nicht benutzen, die mit diesem Gerät nicht vertraut sind oder diese Anweisungen nicht gelesen haben. Elektrische Geräte sind gefährlich, wenn sie von unerfahrenen Personen benutzt werden.
- Der Hersteller haftet nicht für jegliche eigenmächtige

Veränderung am elektrischen Gerät und für die daraus folgenden Schäden.



WARNUNG: Wenn das für dieses Gerät vorgesehene Original-Zubehör nicht verwendet wird, besteht das Risiko von Verletzungen.

- Arbeiten Sie mit dem elektrischen Gerät nicht im Freien, vor allem nicht bei Regen, in explosionsgefährdeter Umgebung, in der sich brennbare Flüssigkeiten, Gase oder Staube befinden. Der Arbeitsplatz muss gut beleuchtet sein.

V – Elemente des Elektrowerkzeuges

Bevor Sie mit der Doppelschleifmaschine zu arbeiten beginnen, lernen Sie alle operative Besonderheiten und Sicherheitshinweise kennen. Verwenden Sie das elektrische Gerät nur bestimmungsgemäss und unter Beachtung der allgemeinen Sicherheits- und Unfallverhütungsvorschriften. Jede andere Verwendung ist ausdrücklich verboten.

1. Drehgriff
2. Funkenschutz
3. Schutzblech
4. Schleifscheibe
5. Werkzeugaufgabe
6. Ein-/Ausschalter
7. Gehäuse
8. Schutzdeckel
9. Einstellmutter
10. Staubabsaugeinrichtung
11. Drahtbürste (MBGT 150)
12. Drahtbürstenschutz (MBGT 150)
13. Einstellhebel der Werkzeugaufgabe (MBGS 200)
14. Schleifband-Spannhebel (MBGS 200)
15. Justierknopf zum Positionieren des Schleifbandes auf den Wellen (MBGS 200)
16. Schleifbandhaube
17. Schleifband (MBGS 200)
18. Werkzeugaufgabe (MBGS 200)
19. Schraube (MBGS 200)

VI - Betriebshinweise

Dieses elektrische Gerät wird mit Einphasenwechselspannung betrieben. Dieses elektrische Gerät ist vom Typ I gemäss EN 61029 -1 und kann an Steckdosen ohne Schutzklemmen angeschlossen werden. Die Funkstörungen entsprechen der Richtlinie über die elektromagnetische Übereinstimmung 2004/108/EU und den EN 61029- 1, EN 61029-2-4, EN 55014-1, EN 55014- 2, EN 61000- 3-2, EN 61000-3-3.

Das Gerät ist zum Schleifen, Schärfen und Entgraten bestimmt: Schärfen von Werkzeugen, Schleifen und Entgraten von Metalloberflächen und –profilen mit Korund-Schleifscheiben, Drahtbürsten oder Schleifbändern.

VOR INBETRIEBNAHME



WARNUNG: Ziehen Sie den Stecker aus der Steckdose, bevor Sie Geräteeinstellungen und Wartung vornehmen oder Zubehörteile wechseln.

- Prüfen Sie, ob die auf dem Leistungsschild angegebene Spannung der Netzspannung entspricht.
- Das elektrische Gerät nur an Steckdose mit Schutzkontakt anschliessen.
- Prüfen Sie die Position des Tippschalters. Das elektrische Gerät darf nur bei ausgeschaltetem Tippschalter angeschlossen werden. Wenn Sie das Gerät mit eingeschaltetem Tippschalter an die Steckdose anschliessen, besteht die Voraussetzung für einen Unfall.
- Stellen Sie sicher, dass die Anschlussleitung und der Anschlussstecker in gutem Zustand sind. Kontrollieren Sie regelmässig die Anschlussleitung des elektrischen Gerätes und lassen Sie sie bei Beschädigung von qualifiziertem Fachpersonal oder von einer autorisierten
- Vertrags-Kundendienstwerkstatt erneuern.
- Bei niedrigen Temperaturen und falls die Maschine lang nicht gearbeitet hat, Probelauf eine gewisse Zeit ohne Belastung durchführen.
- Die Doppelschleifmaschine auf eine Arbeitsplatte mit glatter Oberfläche stellen. Das Gerät kann auf der Arbeitsplatte (App. 1) oder auf dem separat gelieferten Spezialständer SBG 80 mittels Schrauben M10 mm befestigt werden. Das Spezialständer SBG 80 wird mit zwei Schrauben M12 mm zum Boden befestigt (App. 2).

MONTAGE



WARNUNG: Ziehen Sie den Stecker aus der Steckdose, bevor Sie Geräteeinstellungen und Wartung vornehmen oder Zubehörteile wechseln.

- Die Schleifscheiben (4) vor dem Gebrauch überprüfen. Beschädigte, unrunde oder vibrierende Schleifscheiben nicht verwenden.
- Alle Befestigungselemente überprüfen. Stellen Sie sicher, dass die Spannmutter für die Schutzdeckel gut festgezogen sind.
- Werkzeugauflage (5) montieren. Der Abstand zwischen Schleifscheibe (4) und Werkzeugauflage (5) darf höchstens 1,6 mm betragen. Die Einstellmutter (9) festziehen.
- Schutzblech (3) montieren. Normalerweise sind die Schleifscheiben (4) durch den Funkenschutz (2) gut zu sehen.



WARNUNG: Der Betrieb ohne Schutzblech/Funkenschutz ist nicht zugelassen.

- Nach Montieren des elektrischen Gerats die Staubabsaugeinrichtung zum Auffangsystem anschliessen.

SCHLEIFSCHLEIBENWECHSEL



WARNUNG: Ziehen Sie den Stecker aus der Steckdose, bevor Sie Geräteeinstellungen und Wartung vornehmen oder Zubehörteile wechseln.



WARNUNG: Nur Schleifscheiben verwenden, deren zulässige Drehzahl mindestens so hoch ist wie die höchste Leerlaufdrehzahl des Gerätes.

Für Schleifscheibenwechsel folgende Schritte vornehmen:

1. Die Schleifscheiben vor dem Gebrauch überprüfen. Den Zeigefinger in der Öffnung der neuen Schleifscheibe stecken und mit einem leichten nicht-metallischen Gegenstand (z.B. Schraubenziehergriff oder Holzhammer) (App. 3) klopfen. Der Ton muss schrill und klirrend sein. Wenn der Ton stumpf ist, hat die Schleifscheibe innere Beschädigung und darf nicht verwendet werden.

ANMERKUNG: Die zu überprüfende Schleifscheibe muss trocken sein. Der Ton der feuchten Schleifscheiben ist stumpf.



WARNUNG: Beschädigte Schleifscheiben nicht verwenden!

2. Schutzdeckel (8) abnehmen.
3. Indem Sie die Schleifscheibe mit der Hand festhalten, nehmen Sie die Spannmutter und Spannflansch von der Schleifspindel mittels Gabelschlüssel ab (App. 4). Achtung: Schleifspindel hat an der linken Seite Linksgewinde, an der rechten Seite Rechtsgewinde!
4. Die alte Schleifscheibe abnehmen und die neue Schleifscheibe ansetzen.
5. Spannflansch und Spannmutter wieder montieren. Die Spannmutter nicht zu festziehen. Die Schleifscheibe auf Beschädigung infolge der Befestigung überprüfen.
6. Schutzdeckel (8) wieder ansetzen und festschrauben.
7. Die Doppelschleifmaschine mindestens einige Minuten zur Probe laufen lassen, um sicherzustellen, dass sich die Schleifscheiben frei drehen können und gut ausbalanciert sind.

DRAHTBÜRSTEWECHEL (MBGT 150)



WARNUNG: Ziehen Sie den Stecker aus der Steckdose, bevor Sie Geräteeinstellungen und Wartung vornehmen oder Zubehörteile wechseln.

Zum Wechseln der Drahtbürste (11) das Folgende vornehmen:

1. Drahtbürstenschutz (12) abnehmen.
2. Die Spannmutter der Drahtbürste lösen und den Spannflansch abnehmen. Beachten Sie, dass die Spannmutter Rechtsgewinde hat (App. 5).

- Die alte Drahtbürste abnehmen und die neue ansetzen.
- Spannflansch wieder montieren und Spannmutter festziehen. Die Spannmutter nicht zu fest anziehen.
- Drahtbürstenschutz wieder ansetzen und festspannen.
- Die Doppelschleifmaschine einige Minuten zur Probe laufen lassen, um sicherzustellen, ob sich die Drahtbürste frei dreht und balanciert ist.

SCHLEIFBANDWECHSEL (MBGS 200)



WARNUNG: Ziehen Sie den Stecker aus der Steckdose, bevor Sie Geräteeinstellungen und Wartung vornehmen oder Zubehörteile wechseln.

- Spannhebel (14) herausziehen und das alte Schleifband abnehmen. (App. 6)
- Überprüfen Sie, ob das neue Schleifband leicht aufzulegen ist und ihre Kanten nicht verschlissen sind.
- Die Pfeilrichtungen auf der Schleifbandinnenseite und der Schleifbandhaube (16) müssen übereinstimmen.
- Spannhebel (14) in Ausgangsstellung zurückziehen. (App. 7)
- Stecker in die Steckdose stecken und das Elektrowerkzeug einschalten. Schleifband kurz drehen lassen.
- So lange sich das Schleifband dreht, den Bandlauf in der Mitte der Welle mit dem Justierkopf (15) einstellen. (App. 8)
- Wiederholen Sie diese Operationen, bis das Schleifband ausgerichtet ist.
- Schleifbandhaube (16) in der gewünschten Arbeitsstellung mit der Innensechskant-Schraube (19) fixieren. (App. 9)
- Die Stellung der Werkzeugauflage (18) zum Schleifband mit Hilfe des Hebels (13) regeln. (App. 10)

ABMESSUNGEN DES ZU BEARBEITENDEN WERKSTÜCKS

Die zu bearbeitenden Werkstücke müssen in Größe und Gewicht zur Maschine passen. Überprüfen Sie dieses vor Arbeitsbeginn.

ARBEITSHINWEISE

- Das elektrische Gerät nicht überlasten. Die höhere Belastung kann eine Überhitzung des Motors und die vorzeitige Abnutzung der Schleifscheiben verursachen



WARNUNG: Höhere Belastung von kalten Schleifscheiben kann zum Bruch führen.

- Das elektrische Gerät nur bestimmungsgemäß verwenden.
- Für den Zubehörwechsel immer die obigen Anweisungen genau befolgen.
- Vor Inbetriebnahme alle Gabelschlüssel und Werkstücke vom elektrischen Gerät entfernen.
- Die Funkenschutzstellung kann eingestellt werden.

Der Funkenschutz ist so einzustellen, dass der Benutzer die Arbeitszone gut beobachten kann.

- Der Abstand zwischen Schleifscheibe und Schutzblech darf höchstens 1,6 mm (App. 11) betragen und muss kontinuierlich auf dieses Maß nachgestellt werden. Ist die Schleifscheibe so stark abgenutzt, dass sich das Schutzblech nicht mehr auf diesen Abstand nachstellen lässt, muss die Schleifscheibe gewechselt werden. So wird der beste Schleifwinkel sichergestellt und somit eine höhere Leistung der Maschine gewährleistet. Die Werkzeugaufgabe nur waagrecht benutzen.
- Bei Inbetriebnahme lassen Sie die Maschine im Leerlauf einige Minuten laufen.



WARNUNG: Die Verwendung von elektrischen Geräten, Zubehör, Einsatzwerkzeugen usw. ist nur entsprechend diesen Anweisungen zugelassen.



WARNUNG: Werkstücke aus Aluminium, Kupfer oder Messing dürfen nicht bearbeitet werden.

- Werkstück niemals gegen die Seite der rotierenden Schleifscheibe führen, sondern immer von vorne schleifen. Werkstück nur an laufende Schleifscheibe heranführen.



WARNUNG: Beim Arbeiten mit Drahtbürste fliegen Teichen des bearbeiteten Materials zusammen mit Drahtteilchen von der Bürste mit großer Kraft weg. Benutzen Sie die Doppelschleifmaschine immer mit angebrachten Schutzschildern und mit Schutzbrille.

- Beim Arbeiten mit Drahtbürste keinen zu starken Druck ausüben. Der zu starke Druck führt zum Biegen und Abreißen der Drähte und zum Kürzen der Lebensdauer der Bürste.



WARNUNG: Überschreiten Sie nicht die maximale zugelassene Drehgeschwindigkeit, die auf der Bürste angegeben ist.

- Arbeiten Sie nicht mit verschlissenen, zerrissenen oder mit Staub vollgestopften Schleifbändern.
- Berühren Sie nicht das sich bewegende Schleifband.

EINSCHALTEN / AUSSCHALTEN

Einschalten: Ein-/Ausschalter (6) auf Position "I".
Ausschalten: Ein-/Ausschalter (6) auf Position "O".

ZUBEHÖR

MBG 150, MBG 175, MBG 200, MBG 250: Schleifscheibe zum Grobschleifen 1 St. und Schleifscheibe zum Feinschleifen 1 St.

MBGT 150: Schleifscheibe zum Grobschleifen 1 St. und Rundbürste aus gewelltem Messingdraht 0,3 mm 1 St.
MBGS 200: Schleifscheibe zum Grobschleifen 1 St. und Schleifband 1 St.



WARNUNG: Diese Schleifmaschine kann mit anderen groben Schleifscheiben benutzt werden, die eine maximale Drehzahl $> 3000 \text{ min}^{-1}$ haben.

VII - Wartung



WARNUNG: Ziehen Sie den Stecker aus der Steckdose, bevor Sie jede Inspektion oder Wartung vornehmen.

Dieses elektrische Gerät bedarf keiner speziellen Wartung. Sollte das Gerät trotz sorgfältiger Herstellungs- und Prüfverfahren einmal ausfallen, ist die Reparatur von einer autorisierten Kundendienststelle für SPARKY-Elektrowerkzeuge ausführen zu lassen.

INSTANDHALTUNG

Prüfen Sie regelmässig alle Stützelemente, ob sie fest angezogen sind. Falls eine Klemmschraube gelöst ist, unverzüglich anziehen, um Risiken zu vermeiden.

Wenn die Anschlussleitung beschädigt ist, muss sie von einer autorisierten SPARKY Vertrags-Kundendienstwerkstatt instandgesetzt werden.

REINIGUNG

Von Zeit zu Zeit ist es notwendig Schleifspindel und Schutzdeckel zu reinigen (*App. 12*). Reinigen Sie den Gerätekörper mit einem weichen, feuchten Tuch und leichtem Spülmittel.

Die Verwendung von Spiritus, Benzin oder anderen Lösmitteln ist nicht zugelassen. Verwenden Sie keine ätzenden Reinigungsmittel für die Kunststoffteile.



WARNUNG: Das Eindringen von Wasser in das Elektrogerät ist nicht zugelassen.

VIII - Garantie

Die Garantiefrist der SPARKY-Elektrowerkzeuge wird im Garantieschein bestimmt.

Schäden, die auf natürliche Abnutzung, Überlastung oder unsachgemässe Handhabung zurückzuführen sind, bleiben von der Garantie ausgeschlossen.

Schäden, die durch Material- und/oder Herstellerfehler entstanden sind, werden unentgeltlich durch Ersatzlieferung oder Reparatur beseitigt.

Beanstandungen bezüglich eines beschädigten SPARKY-Elektrowerkzeugs können nur anerkannt werden, wenn das Gerät unzerlegt (im ursprünglichen Zustand) dem Lieferanten oder der befugten Kundendienstwerkstatt vorgelegt wird.

Bemerkungen

Lesen Sie aufmerksam die ganze Betriebsanleitung durch, bevor Sie mit der Arbeit beginnen.

Der Hersteller behält sich das Recht vor, Verbesserungen und Änderungen in seinen Erzeugnissen und in den Spezifikationen ohne Voranmeldung vorzunehmen.

Die Spezifikationen können für die verschiedenen Länder unterschiedlich sein.

Sommaire

I - Introduction	16
II - Données techniques	18
III - Travail sûr	18
IV - Instructions supplémentaires de sécurité lors du travail avec un touret à meuler	19
V - Présentation de l'appareil électrique	A/20
VI - Consignes le travail	21
VII - Entretien	23
VIII - Garantie	23

DEBALLAGE

Grâce aux techniques modernes de fabrication, il est improbable que votre outil soit défectueux ou qu'une pièce soit manquante. Si toutefois vous trouvez une anomalie, n'utilisez pas l'outil avant que les pièces aient été remplacées ou le défaut corrigé. Ne pas observer cette règle pourrait causer des blessures graves.

MONTAGE

Le touret à meuler est fourni entièrement monté à l'exception des montants des écrans de protection et des supports des pièces :

I - Introduction

Votre nouvel outil a été conçu et produit selon tous les standards de qualité pour répondre aux exigences les plus élevées. Son exploitation est facile et sécurisée. Et avec une utilisation correcte il vous servira longtemps.



AVERTISSEMENT!

Lire attentivement les instructions avant d'utiliser votre nouvel outil. Prêter attention aux sections «**Avertissement**». Votre outil électrique possède des caractéristiques qui facilitent votre travail. Cet instrument a été conçu et produit selon toutes les exigences de sécurité pour que son usage et son entretien soient faciles.



Ne pas jeter les outils électroportatifs avec les ordures ménagères!

Les déchets provenant d'outils électroportatif ne doivent pas être ramassés avec les ordures ménagères. Prière de recycler sur les lieux qui y sont spécialement destinés. Contacter les autorités locales ou un représentant pour des consultations concernant le recyclage.

RESPECT DE L'ENVIRONNEMENT



Récupération des matières premières plutôt qu'élimination des déchets.

En vue à la protection de l'environnement, les appareils, comme d'ailleurs leurs accessoires et emballages, doivent pouvoir suivre chacun une voie de recyclage appropriée. Nos pièces en matières artificielles ont été marquées en vue d'un recyclage sélectif des différents matériaux.

LÉGENDE

L'outil électrique porte une plaque décrivant les signes spéciaux. Ils apportent une information importante quant au produit ou des instructions d'utilisation.



Portez des lunettes de protection



Utilisez des protecteurs auditifs



Portez un masque protégeant de la poussière



Port de gants de protection obligatoire



Portez des souliers solides dont les semelles ne glissent pas



Ne portez pas de vêtements larges ni de bijoux ; ceux-ci peuvent être entraînés par les pièces mobiles de l'appareil



Lisez les instructions d'utilisation



Conforme aux directives européennes applicables



Conformité aux exigences allemandes envers la sécurité des équipements et des articles



En conformité avec les exigences des standards Russes



Conformité aux exigences formulées dans les textes légaux ukrainiens



Classe de protection I. Appareil électrique avec prises de terre reliées au régime du neutre pour éviter un court – circuit


YYYY-Www

Période de production, où les symboles variables sont les suivants:
YYYY - année de production, ww – le numéro de la semaine du calendrier

MBG

TOURET À MEULER

II - Données techniques

Modèle:		MBG 150	MBG 175	MBG 200	MBG 250	MBGT 150	MBGS 200
▪ Puissance absorbée	W	520	520	900	900	520	900
▪ Vitesse à vide	min ⁻¹	2950	2950	2950	2950	2950	2950
▪ Diamètre extérieur du disque	mm	150	175	200	250	150	200
▪ Diamètre de l'orifice de fixation du disque	mm	32	32	32	32	32	32
▪ Épaisseur du disque	mm	25	25	32	32	25	32
▪ Dimensions de la brosse	mm	-	-	-	-	Ø150x20xØ32	-
▪ Zone de ponçage	mm	-	-	-	-	-	140x100
▪ Dimensions de la bande	mm	-	-	-	-	-	914x100
▪ Niveau de la pression sonore	dB (A)	82,7	82,7	84,1	84,1	82,7	84,1
▪ Niveau de la puissance sonore	dB (A)	95,7	95,7	97,1	97,1	95,7	97,1
▪ Régime intermittent de fonctionnement S2	min	30	30	30	30	30	30
▪ Poids (procédure EPTA 01/2005)		IP 20	IP 20	IP 20	IP 20	IP 20	IP 20
▪ Weight (EPTA procédure 11/2005)	kg	16.0	18.0	28.0	32.0	15.5	32.0
▪ Classe de protection (EN 61029-1) 		I	I	I	I	I	I

Les poussières de matériaux tels que peintures contenant du plomb, certains bois, minéraux ou métaux, peuvent être nuisibles à la santé. Toucher ou aspirer les poussières peut entraîner des réactions allergiques et/ou des maladies respiratoires auprès de l'utilisateur ou de personnes se trouvant à proximité.

Certaines poussières telles que les poussières de chêne ou de hêtre sont considérées cancérigènes, surtout en connexion avec des additifs pour le traitement de bois (chromate, lazure). Les matériaux contenant de l'amiante ne doivent être travaillés que par des personnes qualifiées.

- Si possible, utilisez une aspiration des poussières.
- Veillez à bien aérer la zone de travail.
- Il est recommandé de porter un masque respiratoire de la classe de filtre P2.

Respectez les règlements en vigueur dans votre pays spécifiques aux matériaux à traiter.

III – Travail sûr



AVERTISSEMENT! Lors de l'utilisation d'instruments électriques il faut respecter un certain nombre de mesures principales de sécurité en vue de diminuer le risque d'incendie, d'endommagement par le courant électrique et de blessure énumérées si-après.

Lisez cette instruction avant de commencer à utiliser l'instrument électrique et gardez-la.

- Entretenez votre place de travail propre.
 - Le désordre au lieu de travail peut causer un accident.
- Prenez en vue l'influence de l'environnement.
 - N'exposez pas les instruments électriques à la pluie.
- Ne les utilisez pas dans un milieu humide et mouillé.
 - Assurez un bon éclairage à votre place de travail.
 - N'utilisez pas les instruments électriques en présence de liquides et de gaz facilement inflammables.
- Prenez garde aux accidents causés par le courant électrique.
 - Évitez le contact du corps avec le sol ou avec des surfaces dont le circuit est mis à terre (par exemple des tuyaux, des radiateurs, des poêles de cuisine, des réfrigérateurs).
- Eloignez les personnes présentes à distance.
 - N'admettez pas que des personnes présentes qui ne prennent pas part au travail (surtout des enfants) touchent l'instrument électrique ou son câble et tenez les bien éloignées du lieu de travail.
- Conservez bien les instruments électriques.
 - Quand on ne les utilise pas les instruments électriques doivent être placés dans un lieu sec fermé,

- loin de l'accès des enfants.
6. Ne surchargez pas les instruments électriques.
 - L'instrument électrique correctement choisi travaille mieux et en plus grande sûreté selon le régime de travail précisé pour lui au cours de sa conception..
 7. Utilisez l'instrument électrique convenable.
 - N'utilisez pas d'instruments électriques à faible force motrice pour des régimes de travail durs.
 - N'utilisez pas les instruments électriques pour des manipulations auxquelles ils ne sont pas destinés, par exemple n'utilisez pas une scie circulaire pour couper des troncs et des branches.
 8. Mettez des habits de travail convenables.
 - Ne portez pas de vêtements larges ou des bijoux – ils peuvent être entraînés par les parties mobiles.
 - On recommande des souliers qui ne glissent pas lors du travail en plein air.
 - Les cheveux longs doivent être ramassés sous un chapeau.
 9. Utilisez des moyens de protection personnels.
 - Utilisez des lunettes de protection.
 - Mettez un masque de protection sur votre visage ou un masque contre la poussière si lors des opérations effectuées il y a un dégagement de poussière.
 10. Connecter l'équipement pour l'adduction de la poussière.
 - Si l'instrument électrique est muni d'équipement pour l'aspiration et l'adduction de la poussière assurez-vous qu'il est connecté et qu'il est utilisé correctement.
 11. Servez-vous du câble selon sa destination.
 - Ne tirez jamais le câble pour déconnecter la prise du contact. Tenez le câble loin de la chaleur, de l'huile et de bords aigus.
 12. Fixez bien le détail travaillé.
 - Quand c'est possible utilisez des crampons ou un étai pour fixer le détail travaillé. C'est plus sûr que de tenir le détail dans les mains.
 13. N'allongez pas les bras pour prendre quelque chose.
 - Entretenez une posture correcte et entretenez votre équilibre pendant tout le temps de travail.
 14. Maintenez l'instrument électrique avec soin.
 - Maintenez les instruments de coupe bien tranchants et propres pour vous assurer un travail meilleur et sûr.
 - Respectez les prescriptions concernant la lubrification et l'échange des pièces différentes.
 - Examinez périodiquement le câble de l'instrument électrique et s'il est endommagé adressez-vous au service pour le réparer.
 - Vérifiez régulièrement les rallonges et échangez-les si nécessaire.
 - Entretenez les manches secs, propres et sans traces d'huile et de graisse.
 15. Faites sortir la prise du réseau d'alimentation.
 - Quand vous ne travaillez pas avec l'instrument électrique avant l'entretien ou l'échange d'éléments (couteaux, forets ou instruments coupants), débranchez-le du réseau.
 16. Evacuez les clés de réglage et les clés pour écroux.
 - Ayez l'habitude de vérifier si les clés de réglage et les clés pour écroux sont éloignés de l'instrument électrique avant de le brancher.
 17. Evitez une mise en marche involontaire.
 - Assurez-vous que l'interrupteur est en position stop avant de brancher l'instrument dans le réseau d'alimentation.
 18. Utilisez les rallonges pour le travail en plein air.
 - Quand vous travaillez en plein air utilisez seulement des rallonges marqués et destinés à ce type de travail.
 19. Soyez vigilants.
 - Travaillez très attentivement, soyez raisonnable et ne travaillez pas avec l'instrument quand vous êtes fatigués.
 20. Vérifiez s'ils sont présentes des pièces endommagées.
 - Avant de continuer votre travail avec l'instrument électrique vérifiez s'il peut travailler correctement et effectuer les fonctions auxquelles il est destiné.
 - Vérifiez si les parties mobiles fonctionnent normalement et si elles tournent librement, s'il y a des pièces brisées, si le montage est correct et toutes les autres circonstances qui pourraient entraver le travail de l'instrument électrique.
 - Un protecteur ou une autre pièce qui est endommagée doit être réparée de la manière respective ou substituée dans un service autorisé, sauf dans le cas où on a mentionné autre chose dans la présente instruction.
 - Les interrupteurs en panne doivent être substitués dans un service autorisé.
 - N'utilisez pas l'instrument électrique si l'interrupteur ne change pas les positions branché/débranché.
 21. Avertissement!
 - L'utilisation des éléments et d'équipement inappropriés et non recommandés par la présente instruction peut créer un risque d'accident.
 22. L'entretien de votre instrument électrique doit être effectué par un spécialiste qualifié dans la réparation.
 - Cet instrument électrique est conforme aux règles de sécurité respectifs. La réparation doit être effectuée par des spécialistes qualifiés en utilisant des pièces de recharge originales. Le cas échéant on pourrait créer un danger pour l'utilisateur.

IV – Instructions supplémentaires de sécurité lors du travail avec un touret à meuler



AVERTISSEMENT: Avant de brancher l'outil électrique au réseau d'alimentation électrique, assurez-vous que la tension de celui-ci est bien celle indiquée sur la plaquette contenant les caractéristiques techniques de cet outil électrique.

- Une source de courant à tension plus élevée que celle indiquée pour l'outil peut causer à l'opérateur de sérieux dommages dus au courant électrique et en outre endommager l'outil.

- Si vous avez des hésitations à ce sujet, ne branchez pas l'outil au réseau électrique.
- L'utilisation d'une source d'alimentation à tension plus basse que celle indiquée sur la plaquette de l'appareil électrique endommagera celui-ci.



AVERTISSEMENT: Arrêtez toujours l'appareil et débranchez-le du réseau avant d'effectuer sur celui-ci tout réglage et opération de service ou d'entretien.

- Pendant le travail, utilisez des dispositifs pour la protection des yeux contre les fragments volants. Portez des lunettes de protection.
- Portez des protecteurs auditifs lors d'un travail prolongé. Le bruit intensif émis lors du travail peut entraîner des troubles de l'audition.
- Prenez des mesures qui vous éviteront l'inhalation de poussières. Certains matériaux peuvent contenir des composants toxiques. Portez donc un masque protégeant de la poussière. Vous devez être au courant de l'influence nocive de la poussière, de la nature toxique de certains matériaux.
- Lors du traitement de pièces en métal sont produites des étincelles. Veillez donc à l'absence de matériaux inflammables au voisinage de l'appareil en raison du danger accru d'incendie. Il est recommandé de porter un tablier de protection.
- A la suite d'un long travail, les parties métalliques extérieures et les accessoires peuvent devenir très chauds. Ne touchez pas l'outil de travail ou la pièce traitée immédiatement après la fin du travail : ils peuvent être très chauds et vous risquez de vous brûler.
- Veillez à ce que vos mains n'entrent pas en contact avec les pièces en rotation.



AVERTISSEMENT: Les disques de meulage continuent à tourner après l'arrêt l'appareil.

- Protégez les disques contre les chocs, les secousses et le contact avec des lubrifiants.
- Il est interdit d'utiliser des disques fissurés, endommagés ou déformés.
- Laissez toujours un disque nouvellement monté tourner pendant quelques minutes à vide avant de commencer à travailler avec lui. Lorsque vous pressez sur le commutateur pour la mise de l'appareil en marche, tenez-vous de côté et non en face de lui.
- Avant le début du travail, vérifiez toujours si le disque tourne librement.
- Arrêtez toujours le touret à meuler après avoir fini de travailler avec lui et ne le laissez pas sans surveillance avant de l'avoir arrêté et de l'avoir débranché du secteur. Attendez que les disques s'arrêtent de tourner avant de quitter le poste de travail.
- Avant de mettre l'appareil en marche, assurez-vous que le disque ne touche pas la pièce traitée.
- N'utilisez pas le touret à meuler si les protections et les supports ne sont pas correctement placés et fixés.
- N'utilisez pas le touret à meuler si les écrans de protection ne sont pas baissés.

- L'appareil doit être utilisé uniquement pour les travaux pour lesquels il a été prévu. Toute autre utilisation, différente que celle décrite dans la présente instruction, doit être considérée comme abusive. Le producteur décline toute responsabilité en cas de dommage ou de blessure causée par une utilisation abusive, cette responsabilité étant alors entièrement assumée non par lui, mais par l'utilisateur.
- Afin de utiliser l'appareil correctement, vous devez respecter les consignes de sécurité, les instructions concernant le montage et celles concernant l'exploitation qui figurent dans le présent document. Toute personne qui utilise ou entretient l'appareil doit prendre bien connaissance de la présente instruction et être informée sur les dangers potentiels liés à l'utilisation de cet appareil. Il est interdit aux enfants et aux personnes n'ayant pas une force physique suffisante d'utiliser l'appareil. Les enfant se trouvant dans la zone de travail doivent être sous une surveillance incessante. Vous devez obligatoirement respecter les consignes de sécurité en vigueur dans votre pays. Ceci est également valable pour les consignes concernant la salubrité du travail et la sécurité technique.
- Le producteur décline toute responsabilité en cas de modifications apportées à l'appareil électrique qui ont endommagé celui-ci.



AVERTISSEMENT: L'utilisation de tout accessoire ou dispositif différent de ceux recommandés dans la présente consigne peut créer un risque de blessure de l'opérateur.

- L'appareil électrique ne doit pas être utilisé à l'extérieur lorsqu'il pleut, dans un milieu humide (après la pluie) ni à proximité de liquides et de gaz facilement inflammables. Le lieu de travail doit être bien éclairé.

V – Présentation de l'appareil électrique

Avant de commencer le travail avec l'appareil électrique, prenez connaissance des particularités de son fonctionnement et des conditions de sécurité à respecter.

L'appareil et ses accessoires doivent être utilisés uniquement pour les travaux pour lesquels ils ont été prévus. Toute autre utilisation est strictement interdite.

1. Manche tournant
2. Écran de protection
3. Support de l'écran de protection
4. Disque
5. Support pour le placement de la pièce
6. Interrupteur
7. Base
8. Protection du disque
9. Écran de réglage
10. Embout pour l'élimination des poussières
11. Brosse métallique circulaire (MBGT 150)
12. Protection de la brosse (MBGT 150)

- 13. Support de réglage pour le placement de la pièce (MBGS 200)
- 14. Commande de tension de la bande (MBGS 200)
- 15. Commande de centrage de la bande (MBGS 200)
- 16. Carter de la bande (MBGS 200)
- 17. Bande de polissage (MBGS 200)
- 18. Support pour le placement de la pièce (MBGS 200)
- 19. Vis (MBGS 200)

VI – Consignes le travail

Cet appareil électrique est alimenté en courant alternatif monophasé. Cet appareil électrique est de la classe I selon EN 61029 - 1 et ne peut pas être branché à des prises dont les broches ne sont pas sécurisées. Les perturbations radio sont conformes à la directive concernant la compatibilité électromagnétique 2004/108/EC et à EN 61029- 1, EN 61029-2-4, EN 55014-1, EN 55014-2, EN 61000-3-2, EN 61000-3-3.

Le touret à meuler est destiné à exécution d'opérations de meulage, d'affûtage et de nettoyage. Affûtage de toute sorte d'instruments, nettoyage de surfaces et de profils métalliques moyennant l'utilisation de disques de meulage en corindon, brosse métallique circulaire ou bande de polissage.

AVANT LE DEBUT DU TRAVAIL



AVERTISSEMENT: Arrêtez toujours l'appareil et débranchez-le du réseau avant d'effectuer sur celui-ci tout réglage et opération de service ou d'entretien, y compris, le remplacement des accessoires.

- Assurez-vous que la tension du secteur correspond à celle indiquée sur la plaquette contenant les données techniques sur l'appareil.
- L'instrument ne doit être branché qu'à une prise possédant une broche supplémentaire de sécurité.
- Vérifiez la position de l'interrupteur. L'appareil doit être toujours branché et débranché du secteur interrupteur étant on position OFF. Si vous branchez l'appareil au secteur son interrupteur étant en position de marche, l'appareil se mettra immédiatement à fonctionner, ce qui crée un danger d'accident.
- Si le câble d'alimentation est endommagé, il doit être remplacé par un câble ou une pièce entière par le producteur ou un spécialiste agréé par celui-ci pour le service après vente afin que soient évités les éventuels risques liés à son remplacement.
- Par temps froid ou si l'appareil n'a pas été utilisé durant une longue période de temps, laissez-le tourner un certain temps à vide.
- Placez le touret à meuler de façon stable sur une table de travail à surface plane. L'appareil électrique peut être fixé immobile à la table de travail (Fig. 1) ou à un support spécial SBG 80 (n'est pas inclus) moyennant des boulons M10 mm. Le support pour des tourets à meuler se fixe au plancher à l'aide de deux boulons M12 mm (Fig. 2).

MONTAGE



AVERTISSEMENT: Arrêtez toujours l'appareil et débranchez-le du réseau avant d'effectuer sur celui-ci tout réglage et opération de service ou d'entretien.

- Vérifiez visuellement si les disques (4) sont en bon état ou s'ils portent des défauts mécaniques.
- Vérifiez l'état des éléments de fixation. Vérifiez si les vis de fixation des protections sont solidement serrées.
- Installez les supports des pièces (5) et réglez leur position. La distance entre le support (5) et le disque (4) ne doit pas dépasser 1,6 mm. Serrez les écrous réglage (9).
- Installez les montants des écrans de protection (3). En position normale de fonctionnement, les disques (4) doivent être bien visibles à travers les écrans de protection (2).



AVERTISSEMENT: Il est interdit de travailler lorsque les protections et les écrans sont démontés.

- Après avoir monté l'appareil, raccordez l'embout (10) à un système d'élimination de la poussière.

REMPLACEMENT D'UN DISQUE



AVERTISSEMENT: Arrêtez toujours l'appareil et débranchez-le du réseau avant d'effectuer sur celui-ci tout réglage et opération de service ou d'entretien, y compris, le remplacement des accessoires.



AVERTISSEMENT: Utilisez uniquement des disques ayant des dimensions et une vitesse périphérique correspondant aux données techniques du touret à meuler.

Pour remplacer un disque ; procédez aux opérations suivantes :

1. Vérifiez visuellement si le disque n'est pas endommagé. Ensuite, accrochez le nouveau disque à votre index en fourrant celui-ci dans son orifice et frappez le disque avec un léger objet non métallique (par exemple, le manche d'un tournevis ou un marteau en bois) (Fig. 3). Le son que le disque émet doit être aigu et mélodique. Si le son est sourd, le disque possède des fissures et des défauts intérieurs qui le rendent inutilisable.

REMARQUE: Le disque que vous vérifiez doit être sec. Les disques humides émettent un son sourd.



AVERTISSEMENT: N'utilisez jamais des disques endommagés!



- Démontez la protection (8) du disque.
- En tenant solidement le disque (4) d'une main et enlevez l'écrou et la bride extérieure de l'arbre à l'aide d'une clé à écrou (Fig. 4). Tenez compte du fait que l'écrou du disque gauche est à filetage à gauche, alors que l'écrou du disque droit est à filetage à droite.
- Enlevez le disque usé et placez le disque neuf.
- Remettez en place la bride et l'écrou. Le serrez pas trop l'écrou. Vérifiez visuellement si le disque n'a pas été endommagé lors du serrage.
- Remettez la protection (8) et serrez-la bien.
- Laissez le touret à meuler fonctionner quelques minutes à vide afin de vérifier si le disque tourne librement et s'il est bien équilibré.

REMPACEMENT D'UNE BROSSSE (MBGT 150)



AVERTISSEMENT: Arrêtez toujours l'appareil et débranchez-le du réseau avant d'effectuer sur celui-ci tout réglage et opération de service ou d'entretien, y compris, le remplacement des accessoires.

Pour remplacer une brosse (11); procédez aux opérations suivantes :

- Démontez la protection (12) de la brosse.
- Dévissez l'écrou portant la brosse et enlevez la bride extérieure. Tenez compte du fait que l'écrou est à filetage à droite (Fig. 5).
- Enlevez la brosse usé et placez la brosse neuf.
- Remettez en place la bride et l'écrou. Ne le serrez pas trop l'écrou.
- Remettez la protection de la brosse et serrez-la bien.
- Laissez le touret à meuler fonctionner quelques minutes à vide afin de vérifier si la brosse tourne librement et s'il est bien équilibré.

REMPACEMENT D'UNE BANDE (MBGS 200)



AVERTISSEMENT: Arrêtez toujours l'appareil et débranchez-le du réseau avant d'effectuer sur celui-ci tout réglage et opération de service ou d'entretien, y compris, le remplacement des accessoires.

- Tirez le levier (14) pour détendre la bande. Retirez la bande usée. (Fig. 6)
- Insérez une bande neuve sur les rouleaux. Assurez-vous qu'elle n'est pas usée.
- Assurez-vous que les flèches indiquant le sens de rotation, situées sur la bande et sur le carter de la bande (16) soient identiques.
- Refermez le levier (14) pour tendre la bande. (Fig. 7)
- Mettez l'appareil en marche. Laissez la bande tourner.
- La nouvelle bande peut sortir des rouleaux (cela signifie qu'elle n'est pas centrée), vous devez donc centrer la bande en tournant le bouton de commande (15) pour aligner la bande au centre du rouleau. (Fig. 8)
- L'appareil est réglé lorsque la bande reste centrée en mouvement.

- Positionnez le carter de la bande dans la position désirée à l'aide de la vis (19).
- Réglez la position du support pour le placement de la pièce à l'aide du levier (13). (Fig. 10)

DIMENSIONS DE LA PIÈCE TRAITÉE

Les dimensions et le poids de la pièce traitée doivent permettre le traitement aisé de celle-ci sans fixation préalable et ne doivent pas obliger l'opérateur d'occuper des positions inhabituelles durant son travail.

TRAVAIL AVEC LE TOURET À MEULER

- Ne surchargez pas l'appareil. Une pression trop forte peut entraîner une surchauffe du moteur électrique et une usure prématurée du disque.



AVERTISSEMENT: Une pression trop forte exercée sur un disque froid peut entraîner sa casse.

- N'utilisez pas l'instrument électrique à des fins auxquelles il n'est pas destiné.
- Le remplacement des accessoires doit être effectué uniquement dans le strict respect des instructions ci-dessus.
- Avant le début du travail, enlevez toutes les clés à écrou et tous les objets qui peuvent se trouver sur l'appareil ou à proximité de celui-ci.
- La position des écrans de protection peut être réglée. Ces derniers doivent être placés de façon à assurer à l'opérateur une bonne visibilité du champ de travail.
- Si nécessaire, réglez la position des supports des pièces traitées de façon à ce que la distance entre eux et le disque ne dépasse pas 1,6 mm (Fig.11). Étant donné que les disques s'usent au fur et à mesure qu'on s'en sert, ajustez régulièrement la distance entre les supports et le disque. Ceci assurera un angle correct d'affûtage et de là, une haute productivité. Les supports pour le placement de la pièce doivent toujours être utilisés en position horizontale.
- Après la mise de l'appareil en marche, laissez-le fonctionner un instant à vide, le temps que le moteur atteigne la vitesse nécessaire.



AVERTISSEMENT: Il est interdit d'utiliser des accessoires et des dispositifs autres que ceux recommandés dans la présente consigne.



AVERTISSEMENT: N'affûtez pas et ne meulez pas des pièces en aluminium, cuivre ou étain.

- Lors du meulage, mettez la pièce traitée en contact avec la surface frontale du disque et non avec ses surfaces latérales. Il est dangereux de soumettre les parties latérales du disque à des pressions et ceci doit être évité.





AVERTISSEMENT: Lors de travail avec une brosse, des petites morceaux du matériel traité et des fils déchirés de la brosse s'envolent à grande vitesse. Ne jamais utiliser le touret sans l'écran de protection et toujours portez des lunettes de protection.

- Evitez d'appliquer une pression trop forte lorsque vous utilisez une brosse métallique. La pression trop forte mène à une usure des fils et réduit la vie de la brosse.



AVERTISSEMENT: Ne jamais utilisez la brosse avec des vitesses de rotation excédants la vitesse maximale indiquée sur la brosse.

- N'utilisez que des papiers abrasifs en bon état. Non usés.
- Ne touchez pas le papier abrasif quand l'outil marche.

MARCHE - ARRÊT

Mise en marche: Pressez sur le bouton MARCHE « I » de l'interrupteur (6).

Arrêt: Pressez sur le bouton ARRÊT « 0 » de l'interrupteur (6).

ACCESSOIRES

MBG 150/175/200/250: Disque pour le meulage grossier - 1 exemplaire et disque pour le meulage fin - 1 exemplaire.

MBGT 150: Disque pour le meulage grossier - 1 pc. et brosse circulaire en fil laiton ondule 0,3 mm - 1 pc.

MBGS 200: Disque pour le meulage grossier - 1 pc. et bande de polissage - 1 pc.



AVERTISSEMENT: Possibilité d'utiliser des disques de différent grain et d'une vitesse maxi admissible >3000 min⁻¹

VII - Entretien



AVERTISSEMENT: Arrêtez toujours l'appareil et débranchez-le du réseau avant d'effectuer sur celui-ci toute vérification et toute opération d'entretien.

Cet instrument électrique n'exige aucun entretien spécial. Si malgré tout il tombe en panne, vous devez vous adresser à un atelier agréé pour le service après vente dans le cadre de la garantie et en dehors de celle-ci des instruments électriques SPARKY.

EXAMEN GENERAL

Vérifiez régulièrement tous les éléments de fixation pour vous assurer qu'ils sont solidement serrés. Si quelque élément de fixation s'est desserré, resserrez-le immédia-

tement afin d'éviter tout risque.

Si le câble d'alimentation est endommagé, il doit être remplacé par le producteur ou un spécialiste agréé par celui-ci afin d'éviter les éventuels risques liés à son remplacement.

NETTOYAGE

Il est nécessaire de nettoyer de temps en temps l'arbre et les protections (Fig. 12). Si le boîtier de l'appareil a besoin d'être nettoyé, essuyez-le en l'essuyant avec un chiffon mou humide. Vous pouvez utiliser un produit de nettoyage peu agressif.

Il est interdit d'utiliser de l'alcool, de l'essence ou d'autres solvants.

Il est interdit d'utiliser des produits de nettoyage à usage domestique qui risquent d'attaquer et endommager les pièces en plastique de l'appareil.



AVERTISSEMENT: Ne pas permettre à de l'eau d'entrer en contact avec l'appareil.

VIII - Garantie

La période de garantie des outils électroportatifs SPARKY est définie dans le contrat de garantie.

La garantie ne couvre pas les pannes apparues suite à l'usure naturelle, une surcharge ou une mauvaise exploitation.

Les pannes survenues pour cause de matériaux défectifs et/ou d'erreurs de fabrication seront réparées gratuitement ou le produit sera échangé.

Les réclamations pour un instrument SPARKY défectueux seront honorées si la machine est retournée au livreur ou est présentée à un service après-vente agréé assemblé et dans son état original (assemblée).

Note

Lisez attentivement toute cette instruction d'utilisation avant de commencer à vous servir de l'outil.

Le fabricant ne se défait pas du droit d'introduire des améliorations et des changements dans ses produits ainsi que de changer les spécifications sans avis préalable.

Les spécifications peuvent différer selon les pays.

Indice

I - Introduzione	24
II - Dati tecnici.....	26
III - Lavoro sicuro	26
IV - Norme supplementari di sicurezza nel lavoro con smerigliatrici.....	27
V - Prendere visione dell'elettrotensile	A/28
VI - Istruzioni per l'uso.....	28
VII - Manutenzione	31
VIII - Garanzia.....	31

DISIMBALLO

In conformità delle tecnologie di fabbricazione generalmente adottate, sarebbe inconsueto che il Vostro elettrotensile appena acquisito fosse difettoso, o che mancasse alcuna delle sue parti. Se si nota che qualcosa non è a posto, non lavorare con l'elettrotensile finché la parte guasta non sarà sostituita, oppure l'inconveniente non sarà rettificato. Il mancato rispetto di questo consiglio potrebbe portare a gravi ferimenti.

ASSEMBLAGGIO

La smerigliatrice viene fornita imballata e completamente montata, ad eccezione dei cavalletti per schermi protettivi e dei supporti per i pezzi.

I - Introduzione

Questo utensile SPARKY supererà le Vostre aspettative. La produzione secondo i rigorosi standard di qualità SPARKY assicura un'ottima prestazione. Se utilizzato correttamente, l'utensile risulterà maneggevole e sicuro, e garantirà un uso duraturo.



AVVERTENZA:

Leggere attentamente tutte le istruzioni prima dell'utilizzo dell'utensile. Leggere con cura soprattutto le parti introdotte da "Attenzione!". Questo utensile SPARKY presenta numerose caratteristiche che faciliteranno il Suo lavoro. Sicurezza, qualità ed affidabilità sono punti chiave nello sviluppo di questo utensile, e lo rendono semplice nell'uso e nella manutenzione.



Non smaltire elettrotensili insieme a rifiuti domestici!

Residui di prodotti elettrici devono essere smaltiti separatamente dai rifiuti domestici e sottoposti ad un riciclaggio ecologico. Si prega di informarsi presso le autorità locali o i rivenditori specializzati circa il più vicino luogo di raccolta.



RISPETTO DELL'AMBIENTE

Macchina, accessori ed imballaggio devono essere destinati ad una riutilizzazione ecologica per il recupero di materie prime.

I componenti in plastica sono contrassegnati per relativo riciclaggio.

SIMBOLI

L'etichetta che si trova sulla macchina contiene alcuni simboli. Questi forniscono importanti informazioni sull'utensile o istruzioni sull'uso dello stesso.



Usare occhiali protettivi



Usare mezzi per protezione dell'udito



Indossare maschera antipolvere



Usare guanti protettivi



Indossare scarpe in buono stato, con soles non scivolose



Non indossare indumenti larghi od ornamenti penduli, i quali potrebbero essere impigliati nelle parti moventi



Prendere conoscenza delle istruzioni per l'uso



Corrisponde alle direttive europee applicabili



Conforme alle esigenze del regolamento tedesco di sicurezza di attrezzature e prodotti



Conforme alle esigenze dei documenti normativi russi



Conforme alle esigenze dei documenti normativi ucraini



Un elettrotensile con la classe I di protezione dalla corrente elettrica – con messa a terra neutra protettiva

YYYY-Www

Periodo di produzione, ove i simboli variabili sono:
YYYY – l'anno di produzione, ww – la settimana di calendario consecutiva

MBG

SMERIGLIATRICE

II - Dati tecnici

Modello:		MBG 150	MBG 175	MBG 200	MBG 250	MBGT 150	MBGS 200
• Potenza assorbita	W	520	520	900	900	520	900
• Numero di giri a vuoto	min ⁻¹	2950	2950	2950	2950	2950	2950
• Diametro esterno della mola abrasiva	mm	150	175	200	250	150	200
Diametro del foro di fissaggio della mola abrasiva	mm	32	32	32	32	32	32
• Spessore della mola abrasiva	mm	25	25	32	32	25	32
• Dimensioni della spazzola	-	-	-	-	-	Ø150x20xØ32	-
• Area da smerigliatura del nastro	mm	-	-	-	-	-	140x100
• Dimensioni del nastro	mm	-	-	-	-	-	914x100
• Livello di pressione sonora	dB (A)	82,7	82,7	84,1	84,1	82,7	84,1
• Livello di potenza sonora	dB (A)	95,7	95,7	97,1	97,1	95,7	97,1
• Breve regime di funzionamento S2	min	30	30	30	30	30	30
• Grado di protezione		IP 20	IP 20	IP 20	IP 20	IP 20	IP 20
• Peso (la procedura EPTA 11/2005)	kg	16.0	18.0	28.0	32.0	15.5	32.0
• Classe di protezione (EN 61029 -1)		I	I	I	I	I	I

Polvere derivante da materiali come vernici contenenti particelle di piombo, alcuni tipi di legno, minerali e metallo potrebbe essere nociva. Il contatto o l'inalazione di tali polveri potrebbe causare reazioni allergiche e/o problemi al sistema respiratorio dell'utente o di terzi.

Talune tipologie di polveri, come ad esempio quella derivante da legno di quercia o faggio, soprattutto se trattati con additivi e conservanti, sono classificate come cancerogene. Si consiglia di fare trattare materiali contenenti asbesto solo a persone esperte.

- Se possibile collegare sempre la macchina ad un dispositivo di aspirazione.
- Per garantire un'area di lavoro pulita utilizzare un aspirapolvere per trucioli e/o minerali insieme all'utensile.
- Tenere l'area di lavoro ben pulita e ventilata.
- Si consiglia l'uso di una mascherina o filtro di classe P2.

Osservare le direttive nazionali relative al materiale da lavorare.

III - Lavoro sicuro



ATTENZIONE! Nell'usare elettrotensili, si devono rispettare alcune misure fondamentali di sicurezza con lo scopo di ridurre il rischio di incendio, lesione da scossa elettrica o ferita, le quali sono enumerate qui di seguito.

Leggere questo manuale di istruzioni prima di procedere al lavoro con l'elettrotensile, e preservarlo.

- Mantenere pulito il posto di lavoro
 - Il disordine sul posto di lavoro potrebbe causare un infortunio.
- Tenere presente l'effetto dell'ambiente
 - Non esporre gli elettrotensili a pioggia.
 - Non usare gli elettrotensili in un ambiente umido o bagnato.
 - Assicurare buona illuminazione al posto di lavoro.
 - Non usare gli elettrotensili nella presenza di liquidi o gas infiammabili.
- Stare attenti a lesione da scossa elettrica
 - Evitare contatti del corpo con la terra o con superfici messe a terra (per esempio tubi, radiatori, cucine elettriche, frigoriferi).
- Tenere le persone estranee in disparte
 - Non permettere a persone estranee che non c'entrano con il lavoro, in particolare bambini, di toccare l'elettrotensile o il cordone, e tenerle lontane dal luogo del lavoro.
- Preservare gli elettrotensili
 - Quando non vengono usati, conservare gli elettrotensili in un luogo asciutto e chiuso, inaccessibile per i bambini.
- Non sovraccaricare gli elettrotensili
 - L'elettrotensile selezionato bene, funziona meglio e con maggiore sicurezza nel regime di lavoro dichiarato, per il quale è stato progettato.
- Usare un elettrotensile adatto
 - Non usare elettrotensili di piccola potenza per lavoro pesante.
 - Non usare gli elettrotensili in lavori per cui non sono disegnati, p.e. non usare una sega circolare per il taglio di tronchi o rami.
- Indossare indumenti di lavoro appropriati
 - Non indossare indumenti larghi o gioielli, i quali potrebbero essere impigliati nelle parti moventi.
 - Si raccomanda di indossare scarpe non scivolose nel lavoro all'aperto.
 - Tenere i capelli lunghi nascosti sotto un cappello.

9. Usare mezzi di sicurezza individuali
 - Indossare occhiali protettivi.
 - Indossare maschera per proteggere il viso, o maschera antipolvere, se le operazioni del lavoro generano polvere.
10. Collegare la depolverizzazione
 - Se l'elettrotensile è munito di congegni per succhiare e raccogliere la polvere, accertarsi che essi siano collegati e usati correttamente.
11. Impiegare il cordone per la sua destinazione d'uso
 - Non tirare mai il cordone per staccare la spina dalla presa. Tenere il cordone lontano da calore, olio e spigoli acuti.
12. Fissare il pezzo da lavorare
 - Quando è possibile, usare staffe o morsa per fissare il pezzo da lavorare. Così è più sicuro che tenere il pezzo da lavorare con la mano.
13. Non stendere le braccia
 - Mantenere una corretta posizione del corpo ed equilibrio per tutto il tempo.
14. Mantenere con cura l'elettrotensile
 - Mantenere gli utensili da taglio affilati e puliti per un lavoro migliore e più sicuro.
 - Osservare le istruzioni per la lubrificazione e la sostituzione di accessori.
 - Controllare periodicamente il cordone dell'elettrotensile e, se risulta danneggiato, rivolgersi ad un centro assistenza tecnica autorizzato per farlo riparare.
 - Controllare regolarmente le prolunghe e sostituirle quando sono danneggiate.
 - Mantenere le impugnature pulite, asciutte, e senza tracce di olio o grasso.
15. Disinnestare la spina dalla rete di alimentazione elettrica
 - Quando non si lavora con l'elettrotensile, prima della manutenzione, o durante la sostituzione di accessori (coltelli, punte o utensili da taglio), disinnestare l'elettrotensile dalla rete di alimentazione elettrica.
16. Mettere in disparte le chiavi di regolazione e le chiavi meccaniche
 - Crearsi l'abitudine di verificare che le chiavi di regolazione e le chiavi meccaniche si trovino lontano dall'elettrotensile, prima di avviarlo.
17. Evitare un avviamento involontario
 - Accertarsi che l'interruttore ON/OFF sia nella posizione OFF prima di innestare l'elettrotensile alla rete di alimentazione.
18. Usare prolunghe per lavori all'aperto
 - Nel lavorare con l'elettrotensile all'aperto usare soltanto prolunghe segnate e destinate per l'impiego all'aperto.
19. Stare vigilianti
 - Lavorare con molta attenzione, agire con prudenza, e non lavorare con l'elettrotensile quando si è stanchi.
20. Verificare per parti danneggiate
 - Prima di procedere al lavoro con l'elettrotensile, fare un controllo per determinare se esso può lavorare correttamente ed eseguire le funzioni per cui è disegnato.
 - Verificare se le parti moventi funzionano correttamente e si muovono liberamente, la presenza di parti rotte, la regolarità del montaggio, e per qualsiasi altra circostanza che avrebbe influito negativamente il funzionamento dell'elettrotensile.

- Riparo guasto o altra parte che viene danneggiata, deve essere riparata nel modo appropriato, o sostituita in un centro assistenza tecnica autorizzato, salvo indicazione contraria in questo manuale di istruzioni.
 - Far sostituire gli interruttori ON/OFF danneggiati in un centro assistenza tecnica autorizzato.
 - Non adoperare l'elettrotensile se l'interruttore ON/OFF non commuta nella posizione ON o nella posizione OFF.
21. Attenzione!
 - L'uso di accessori o congegni differenti da quelli raccomandati in questo manuale di istruzioni, può provocare pericolo di incidente.
 22. Fare la manutenzione del vostro elettrotensile presso uno specialista qualificato per la riparazione.
 - Questo elettrotensile soddisfa le pertinenti regole di sicurezza. Far effettuare la riparazione soltanto da specialisti qualificati, usando pezzi di ricambio originali, altrimenti potrebbe insorgere grosso pericolo per l'utente.

IV - Regole supplementari di sicurezza nel lavoro con smerigliatrici



ATTENZIONE: Prima di innestare l'elettrotensile alla rete di alimentazione, accertarsi che la tensione di alimentazione corrisponda a quella riportata sulla targhetta dati tecnici dell'elettrotensile.

- Fonte di alimentazione elettrica superiore a quella indicata per l'elettrotensile, può causare sia serie lesioni da scossa elettrica all'utente, che un guasto all'elettrotensile.
- Se si ha qualche esitazione, non innestare la spina dell'elettrotensile nella presa.
- L'uso di fonte di alimentazione elettrica inferiore a quella riportata sulla targhetta dati tecnici dell'elettrotensile, danneggerà il motore elettrico.



ATTENZIONE: Disinserire sempre l'elettrotensile e staccare la spina dalla presa prima di effettuare qualsiasi regolazione, aggiustaggio o manutenzione.

- Usare mezzi di protezione della vista durante il lavoro, per proteggersi da particelle volanti. Indossare occhiali protettivi.
- Usare mezzi di protezione dell'udito a lavoro continuativo. Il rumore intenso durante il lavoro potrebbe provocare lesioni all'udito.
- Prendere precauzioni contro l'inalazione di polvere. Alcuni materiali potrebbero contenere ingredienti tossici. Indossare maschera antipolvere. Si deve essere consci dell'effetto nocivo della polvere, della tossicità della polvere proveniente da certi materiali.
- Quando viene lavorato un pezzo di metallo, si sprigionano scintille. Non è ammessa la presenza di materiali infiammabili in prossimità della macchina a causa

dell'elevato pericolo di incendio. Si consiglia di indossare un grembiule protettivo.

- Dopo un lavoro continuativo le parti metalliche esterne e gli accessori possono riscaldarsi. Non toccare l'utensile o il pezzo da lavorare immediatamente dopo il lavoro, in quanto potrebbero essere arroventati e causare bruciatura della pelle.
- Tenere le mani a distanza dalle parti rotanti.



ATTENZIONE: Le mole abrasive continuano a girare anche dopo lo spegnimento della macchina.

- Proteggere le mole da urti, scuotimento, e da contatto con oli.
- Non è ammesso l'impiego di mole incrinata, danneggiate o deformate.
- Aspettare sempre che la nuova mola montata giri per qualche minuto a vuoto, prima di iniziare il lavoro. Quando si aziona l'interruttore ON/OFF, mettersi di fianco alla smerigliatrice, e non davanti ad essa.
- Ogni volta prima di iniziare il lavoro, verificare che la mola giri liberamente.
- Spegnerne sempre la smerigliatrice quando non si lavora con essa e non lasciarla priva di sorveglianza, senza avere prima spento la macchina e disinnestato la spina dalla presa. Aspettare che le mole smettano di girare prima di abbandonare il luogo di lavoro.
- Accertarsi prima di avviare la macchina, che la mola non tocchi il pezzo da lavorare.
- Non lavorare con la smerigliatrice se i ripari e i supporti non siano montati e fissati correttamente.
- Non lavorare con la smerigliatrice senza che gli schermi protettivi siano calati.
- Usare l'elettrotensile soltanto secondo la sua destinazione d'uso. Qualsiasi altro uso, differente da quello descritto in queste istruzioni, verrà considerato erroneo. La responsabilità per qualsiasi guasto o ferimento che risulta da uso erroneo, cadrà sull'utente, e non sul fabbricante.
- Per sfruttare correttamente questo elettrotensile, si devono rispettare le regole di sicurezza, le istruzioni sul montaggio e le istruzioni d'esercizio indicate in questo documento. Tutte le persone che usano questa macchina o ne svolgono la manutenzione, devono conoscere queste istruzioni d'uso ed essere informate dei potenziali pericoli relativi a questo elettrotensile. È vietato il lavoro di bambini e persone fisicamente deboli con questo elettrotensile. I bambini devono sempre stare sotto continua sorveglianza se si trovano nell'area dove si lavora. È obbligatorio soddisfare le regole di lavoro sicuro che sono in vigore nel vostro paese. Lo stesso concerne pure l'osservanza delle regole principali relative alla salute e alla sicurezza professionale.
- Il fabbricante non sarà tenuto responsabile per modifiche apportate dall'utente all'elettrotensile, o per guasti causati da tali modifiche.



ATTENZIONE: L'uso di qualsiasi accessorio o dispositivo differente da quelli raccomandati nel presente manuale di istruzioni, può comportare rischio di ferimento dell'operatore.

- Non usare l'elettrotensile all'aperto quando piove, in un ambiente umido (dopo una pioggia), o in vicinanza di liquidi o gas infiammabili. Mantenere il posto di lavoro ben illuminato.

V - Prendere visione dell'elettrotensile

Prima di iniziare a lavorare con la smerigliatrice, prendere conoscenza di tutte le caratteristiche operative e condizioni di sicurezza.

Usare l'elettrotensile e i suoi accessori soltanto secondo la destinazione d'uso. Ogni altro impiego è espressamente vietato.

1. Impugnatura girevole
2. Schermo protettivo
3. Cavalletto dello schermo protettivo
4. Mola
5. Supporto per il pezzo
6. Interruttore ON/OFF
7. Base
8. Riparo della mola
9. Dado di regolazione
10. Raccordo per depolverizzazione
11. Spazzola metallica (MBGT 150)
12. Riparo della spazzola metallica (MBGT 150)
13. Leva per regolazione del supporto (MBGS 200)
14. Leva per la tensione del nastro abrasivo (MBGS 200)
15. Regolatore per il posizionamento del nastro abrasivo sui rulli (MBGS 200)
16. Involucro del nastro abrasivo (MBGS 200)
17. Nastro abrasivo (MBGS 200)
18. Supporto per il pezzo (MBGS 200)
19. Vite (MBGS 200)

VI - Istruzioni per l'uso

Questo elettrotensile viene alimentato soltanto di corrente alternata monofase. Questo elettrotensile è della classe I conformemente all'EN 61029 - 1 e non può essere innestato in prese senza piattine di massa. I disturbi radio corrispondono alla Direttiva sulla compatibilità elettromagnetica 2004/108/EC e all'EN 61029- 1, EN 61029-2-4, EN 55014-1, EN 55014-2, EN 61000-3-2, EN 61000-3-3.

La smerigliatrice è disegnata per operazioni di levigatura, affilatura e asportazione di residui: affilatura di tutti i tipi di arnesi, asportazione di residui da superfici metalliche e da profilati mediante mole abrasive in corindone, spazzola metallica, o nastro abrasivo.

PRIMA DI INIZIARE IL LAVORO



ATTENZIONE: Spegnerne sempre l'elettrotensile e tirare la spina dalla presa prima di effettuare qualsiasi regolazione, aggiustaggio o manutenzione, ivi inclusa la sostituzione della mola.

- Accertarsi che la tensione della rete elettrica corrisponda a quella riportata sulla targhetta con i dati tecnici dell'elettrotensile.
- Innestare l'elettrotensile soltanto in presa munita di una supplementare piattina di massa protettiva.
- Verificare in quale posizione si trova l'interruttore ON/OFF. L'elettrotensile deve essere innestato nella presa o disinnestato dalla rete di alimentazione soltanto ad interruttore disinserito. Se la spina viene innestata nella presa quando l'interruttore è in posizione inserita, l'elettrotensile si metterà subito in moto, cosa che comporta infortunio.
- Se il cavo di alimentazione è danneggiato, allora deve essere sostituito con un cavo o gruppo specialmente preparato dal fabbricante o da un suo specialista di centro assistenza, per evitare i pericoli della sostituzione.
- A temperature basse, e se la macchina non ha lavorato da tempo, lasciarla funzionare a vuoto per un po'.
- Montare la smerigliatrice stabilmente su un banco da lavoro di superficie piana. L'elettrotensile può essere fissato immobile al banco da lavoro (Fig. 1) o ad un cavalletto speciale SBG 80 (viene fornito a parte) mediante bulloni M10 mm. Il cavalletto speciale SBG 80 va fissato al pavimento con due bulloni M12 mm (Fig. 2).

MONTAGGIO



ATTENZIONE: Spegnerne sempre l'elettrotensile e tirare la spina dalla presa prima di effettuare qualsiasi regolazione, aggiustaggio o manutenzione.

- Verificare visualmente lo stato di efficienza delle mole (4) per la presenza di guasti meccanici.
- Verificare la condizione di tutti gli elementi di fissaggio. Verificare che le viti tenenti i ripari siano ben strette.
- Montare i supporti per i pezzi da lavorare (5) e regolare le loro posizioni. La distanza tra il supporto (5) e la mola (4) non deve superare 1,6 mm. Stringere i dadi di regolazione (9).
- Montare i cavalletti degli schermi protettivi (3). Nella situazione normale di lavoro le mole (4) devono essere ben visibili attraverso gli schermi protettivi (2).



ATTENZIONE: Non è ammesso il lavoro con i ripari e schermi protettivi calati.

- Avendo montato l'elettrotensile, connettere il raccordo (10) al sistema di depolverizzazione.

SOSTITUZIONE DELLA MOLA



ATTENZIONE: Spegnerne sempre l'elettrotensile ed estrarre la spina dalla presa prima di effettuare qualsiasi regolazione, aggiustaggio o manutenzione, ivi compresa la sostituzione della mola.



ATTENZIONE: Usare soltanto mole con dimensioni e velocità periferica che corrispondano ai dati tecnici della smerigliatrice.

Per sostituire una mola, eseguire le seguenti operazioni:

1. Verificare visualmente la mola per la presenza di difetti. Infilare quindi l'indice nel foro della mola nuova e picchiettarla con un oggetto leggero non metallico (per esempio il manico di un cacciavite o pestello di legno) (Fig. 3). Il suono che la mola emette deve essere tenue, squillante. Se il suono è smorzato, allora la mola presenta incrinature e difetti interni, che la rendono fuori uso.

N.B.: La mola che viene verificata deve essere asciutta. Le mole umide emettono un suono sordo.



ATTENZIONE: Non usare mai mole danneggiate!

2. Smontare il riparo (8) della mola.
3. Tenendo la mola (4) saldamente con la mano, rimuovere il dado e la flangia esterna dall'alberino a mezzo di una chiave (Fig. 4). Si noti che il dado della mola sinistra ha la filettatura sinistra, e il dado della mola destra ha la filettatura destra.
4. Togliere la vecchia mola e mettere quella nuova.
5. Montare di nuovo la flangia e il dado. Non stringere troppo il dado. Verificare visualmente per l'apparizione di danneggiamenti sulla mola dovute alla stretta.
6. Montare il riparo (8) e serrarlo bene.
7. Aspettare che la smerigliatrice funzioni per qualche minuto a vuoto, per verificare che la mola giri liberamente e che sia bilanciata bene.

SOSTITUZIONE DELLA SPAZZOLA

(MBGT 150)



ATTENZIONE: Spegnerne sempre l'elettrotensile ed estrarre la spina dalla presa prima di effettuare qualsiasi regolazione, aggiustaggio o manutenzione, ivi compresa la sostituzione di un accessorio.

Per sostituire la spazzola (11), eseguire le seguenti operazioni:

1. Smontare il riparo (12) della spazzola.
2. Svitare il dado per fissaggio della spazzola e rimuovere la flangia. Fare attenzione che il dado ha la filettatura destra (Fig. 5).
3. Rimuovere la spazzola vecchia e mettere quella nuova.

4. Rimettere la flangia a posto e stringere il dado. Non stringere troppo il dado.
5. Rimettere il riparo della spazzola a posto e serrarlo bene.
6. Aspettare che la smerigliatrice funzioni per qualche minuto a vuoto, per verificare che la mola giri liberamente e che sia bilanciata bene.

SOSTITUZIONE DEL NASTRO (MBGS 200)



ATTENZIONE: Spegner sempre l'elettrotensile ed estrarre la spina dalla presa prima di effettuare qualsiasi regolazione, aggiustaggio o manutenzione, ivi compresa la sostituzione di un accessorio.

1. Tirare la leva per la tensione del nastro (14) e rimuovere il nastro vecchio. (Fig. 6)
2. Verificare che il nastro nuovo combacia facilmente e che non sia logorato nelle estremità.
3. Le frecce del nastro devono essere orientate nella stessa direzione come le frecce sull'involucro (16).
4. Rimettere la leva (14) nella sua posizione iniziale. (Fig. 7)
5. Innestare la spina nella presa e accendere l'elettrotensile. Lasciare il nastro abrasivo girare per qualche tempo.
6. Mentre il nastro si muove, usare il regolatore (15) per aggiustare il nastro nel mezzo del rullo. (Fig. 8)
7. Ripetere queste azioni, finché in nastro non sarà allineato correttamente.
8. Porre l'involucro del nastro (16) nella posizione di lavoro desiderata, con l'ausilio dell'esaedro interno (19). (Fig. 9)
9. Regolare la posizione del supporto per il pezzo (18) rispetto al nastro con l'ausilio della leva (13). (Fig. 10)

LE DIMENSIONI DEL PEZZO DA LAVORARE

Le dimensioni d'ingombro e il peso del pezzo da lavorare devono assicurare la lavorazione inostacolata, senza fessaggio anticipato, e non causare disturbo della posizione naturale del corpo dell'operatore durante il lavoro.

LAVORO CON LA SMERIGLIATRICE

- Non sovraccaricare l'elettrotensile. L'eccessiva pressione potrebbe causare il surriscaldamento del motore elettrico e l'usura precoce della mola.



ATTENZIONE: La pressione eccessiva su una mola fredda potrebbe causare la sua rottura.

- Non adoperare l'elettrotensile per scopi per i quali esso non è disegnato.
- Effettuare la sostituzione della mola soltanto con il preciso rispetto delle istruzioni che precedono.
- Far allontanare tutte le chiavi meccaniche e pezzi da lavorare dall'elettrotensile e in vicinanza di esso prima di iniziare il lavoro.
- La posizione degli schermi protettivi può essere regolata. Detti schermi devono essere sistemati così da permettere all'operatore un buon campo visivo dell'a-

rea di lavoro.

- Controllare e se necessario regolare la posizione dei supporti per i pezzi da lavorare di modo che la distanza tra essi e la mola non superi 1,6 mm (Fig. 11). Siccome le mole si logorano durante l'esercizio, aggiustare regolarmente la distanza tra i supporti e le mole. Così si provvederà al conveniente angolo di affilatura, e quindi all'alto rendimento. Usare sempre i supporti per i pezzi da lavorare nella posizione orizzontale.
- All'avviamento lasciare la macchina funzionare per qualche minuto a vuoto, fino all'accelerazione del motore.



ATTENZIONE: Non è ammesso l'uso di accessori o dispositivi differenti da quelli raccomandati in questo manuale di istruzioni.



ATTENZIONE: Non affilare e non levigare pezzi in alluminio, rame, oppure ottone.

- Nel levigare toccare con il pezzo da lavorare la superficie frontale della mola, e non le sue superfici laterali. Il carico sulle superfici laterali della mola è pericoloso e non è ammesso.



ATTENZIONE: Nel lavoro con spazzola, particelle del materiale asportato insieme a pezzetti di fili della spazzola, separatisi a causa di rottura per fatica del materiale, volano via con grande forza. Non lavorare con la smerigliatrice senza gli schermi calati e occhiali protettivi.

- Nell'usare la spazzola metallica, evitare di applicare una pressione eccessiva. La pressione eccessiva provoca la piegatura e rottura delle fibre e riduce la vita della spazzola.



ATTENZIONE: Non superare la velocità massima di rotazione, marcata sulla spazzola.

- Non lavorare con nastri abrasivi logorati, rotti o con molta polvere assorbita.
- Non toccare un nastro in movimento.

AVVIAMENTO - ARRESTO

Avviamento: Premere il pulsante START "I" dell'interruttore ON/OFF (6).

Arresto: Premere il pulsante STOP "O" dell'interruttore ON/OFF (6).

ACCESSORI

MBG 150/175/200/250: N. 1 mola per smerigliatura grossa e n. 1 mola per smerigliatura fine.

MBGT 150: N. 1 mola per smerigliatura grossa e n. 1 spazzola rotonda con fibre ondulate 0,3 mm in ottone.

MBGS 200: N. 1 mola per smerigliatura grossa e n. 1 con nastro abrasivo.



ATTENZIONE: È possibile l'uso di mole di varia grana e dalla velocità massima ammissibile >3000 min⁻¹

VII - Manutenzione



ATTENZIONE: Spegnerne sempre l'elettrotensile ed estrarre la spina dalla presa prima di effettuare qualsiasi verifica o manutenzione.

Questo elettrotensile non necessita di alcuna manutenzione particolare. Se tuttavia capita qualche malfunzionamento, è necessario rivolgersi ad un autorizzato centro assistenza tecnica per la manutenzione in o fuori garanzia di elettrotensili SPARKY.

CONTROLLO GENERICO

Controllare regolarmente tutti gli elementi di fissaggio e accertarsi che siano saldamente serrati. In caso che qualche elemento di fissaggio si sia allentato, stringerlo subito, per evitare situazioni di rischio.

Se il cavo di alimentazione viene danneggiato, la sostituzione va effettuata dal fabbricante o da un suo specialista di centro assistenza tecnica, per ovviare ai pericoli della sostituzione.

PULIZIA

È necessario pulire di tanto in tanto l'alberino e i ripari (Fig. 12). Se la carcassa della macchina ha bisogno di pulizia, strofinarla con un panno soffice e umido. Si può usare un detergente debole.

Non è ammesso l'uso di alcool, benzina o altri solventi. Non è ammesso l'uso di preparati chimici domestici, i quali potrebbero corrodere e danneggiare le parti in plastica dell'apparecchio.



ATTENZIONE: Non è ammesso il contatto di acqua con l'elettrotensile.

VIII - Garanzia

Il periodo di garanzia per gli utensili SPARKY ha validità a partire dalla data di acquisto ed è conforme alle normative europee.

Non sono coperti da garanzia danni derivanti da usura, sovraccarico o uso improprio.

L'azienda produttrice assicura la sostituzione di tutte le parti non funzionanti in cui si riconoscano difetti di materiale e/o di lavorazione.

Le prestazioni di garanzia saranno erogate solo se la macchina richiesta sarà inviata in condizioni integre al rivenditore o ad un centro di assistenza, accompagnata dallo scontrino fiscale.

Ulteriori informazioni

Leggere attentamente tutte le istruzioni sull'uso prima di adoperare questo prodotto.

L'azienda produttrice si riserva il diritto di apportare modifiche tecniche senza preavviso.

Le specifiche tecniche possono variare da paese a paese.

Contenido

I - Introducción	32
II - Datos técnicos	34
III - Operación segura	34
IV - Normas adicionales de seguridad al operar con afiladoras de herramientas	35
V - Componentes principales de la herramienta eléctrica	A/36
VI - Instrucciones para la operación	36
VII - Mantenimiento	39
VIII - Garantía.....	39

DESENVASE

En conformidad con las tecnologías de producción comunes, es poco probable que la herramienta eléctrica que Ud. acaba de adquirir sea defectuosa o que le falte alguna pieza. Si se llega a observar algún fallo, deje de operar con la herramienta eléctrica hasta que la pieza dañada se sustituya o el defecto se elimine. Si esta recomendación no se cumple, ello podrá conducir a un grave accidente de trabajo.

ENSAMBLAJE

La afiladora de herramientas se suministra empaquetada y completamente ensamblada, salvo los pies para las pantallas protectoras y los soportes para las piezas.

I - Introducción

Su nueva herramienta SPARKY satisfará totalmente sus expectativas. Ha sido fabricada conforme a las exigentes Normas de calidad de SPARKY para cumplir los más elevados requisitos de funcionamiento. Su nueva herramienta es fácil y segura de manejar y, con el debido cuidado, le dará muchos años de servicio fiable.



AVISO!

Lea detenidamente todo el Manual de instrucciones antes de usar su nueva herramienta SPARKY. Preste especial atención a los **Avisos**. Su herramienta SPARKY tiene muchas funciones que harán más rápido y seguro su trabajo. La seguridad, el funcionamiento y la fiabilidad son las mayores prioridades del desarrollo de esta herramienta, lo que la hace fácil de mantener y manejar.



No tire los productos eléctricos a la basura!

Los productos eléctricos no se deben tirar a la basura. Por favor recícelos en el lugar adecuado. Póngase en contacto con su ayuntamiento o con una empresa de reciclaje.



PROTECCIÓN MEDIOAMBIENTAL

El aparato, sus accesorios y embalaje deberán separarse para reciclarse cada uno por su lado. Los componentes de plástico llevan una etiqueta del tipo de reciclado.

ОПИСАНИЕ НА СИМВОЛИТЕ

На табелката с технически данни върху електроинструмента са изобразени символи. Те представляват важна информация за изделието или указания за неговата употреба.



Utilice gafas de protección



Utilice medios de protección del oído



Utilice una mascarilla antipolvo



Utilice guantes de protección



Utilice zapatos sólidos con suelas no deslizantes



No lleve ropa ancha o adornos; pueden verse atrapados por las piezas móviles



Lea el manual de usuario



Conformidad con las directrices europeas aplicables



Compatible con los requisitos de la Ley de Seguridad de Productos y Equipos Alemana (GPSG)



Compatible con los requisitos de los documentos normativos rusos



Compatible con los requisitos de los documentos normativos ucranianos



Electrodoméstico con clase I de protección de corriente eléctrica: puesta a cero de protección

YYYY-Www

Período de producción en que los símbolos variables son:
YYYY - año de producción, ww – semana natural consecutiva

MBG

AFILADORA DE HERRAMIENTAS

II - Datos técnicos

Modelo:		MBG 150	MBG 175	MBG 200	MBG 250	MBGT 150	MBGS 200
• Potencia consumida	W	520	520	900	900	520	900
• Revoluciones en marcha en vacío	min ⁻¹	2950	2950	2950	2950	2950	2950
• Diámetro externo del disco de trabajo	mm	150	175	200	250	150	200
• Diámetro de la abertura de unión del disco de trabajo	mm	32	32	32	32	32	32
• Grosor del disco de trabajo	mm	25	25	32	32	25	32
• Dimensiones del cepillo	-	-	-	-	-	Ø150x20xØ32	-
• Superficie de esmerilado de la cinta	mm	-	-	-	-	-	140x100
• Dimensiones de la cinta	mm	-	-	-	-	-	914x100
• Nivel de presión sonora	dB (A)	82,7	82,7	84,1	84,1	82,7	84,1
• Nivel de potencia sonora	dB (A)	95,7	95,7	97,1	97,1	95,7	97,1
• Régimen de operación de duración breve S2	min	30	30	30	30	30	30
• Grado de protección		IP 20	IP 20	IP 20	IP 20	IP 20	IP 20
• Peso (EPTA Procedimiento 11/2005)	kg	16.0	18.0	28.0	32.0	15.5	32.0
• Clase de protección (EN 61029 -1)		I	I	I	I	I	I

El polvo que se desprende al procesar materiales, como pinturas que contienen plomo, algunos tipos de madera, minerales y metales, puede ser peligroso para la salud. El contacto con el polvo o su aspiración pueden provocar reacciones alérgicas y/o enfermedades de las vías respiratorias del operador o de las personas que se encuentran cerca. Algunos tipos de polvo, por ejemplo, de roble o de haya, se consideran cancerígenos, especialmente en combinación con aditivos para procesar madera (cromato, conservantes). Los materiales que contienen amianto deben ser procesados solamente por especialistas.

- Cuando sea posible, utilice un mecanismo para evacuar el polvo.
- Asegure una buena ventilación del lugar de trabajo.
- Es recomendable usar una careta antipolvo con filtro de la clase P2.

Cumpla las disposiciones vigentes en su país para procesar los materiales correspondientes.

III - Operación segura



¡ADVERTENCIA! Al utilizar herramientas eléctricas, deben cumplirse algunas medidas de seguridad básicas que se enumeran a continuación, con miras a reducir el riesgo de incendio, daños de corriente eléctrica y lesiones.

Lea este manual de usuario antes de proceder a operar con la herramienta eléctrica y guárdelo.

- Mantenga el lugar de trabajo limpio
 - El desorden en el lugar de trabajo puede provocar un accidente.
- Tome en consideración la influencia del medio ambiente
 - No exponga las herramientas eléctricas a la lluvia.
 - No utilice las herramientas eléctricas en un entorno húmedo o mojado.
 - Asegure una buena iluminación del lugar de trabajo.
 - No utilice las herramientas eléctricas cuando haya líquidos o gases inflamables.
- Cuidese de daños de corriente eléctrica

- Evite el contacto del cuerpo con la tierra o con superficies puestas a cero (por ejemplo, tuberías, radiadores, cocinas eléctricas, neveras).
- Mantenga a las personas extrañas a distancia
 - No permita que personas extrañas que no estén ocupadas con la operación, sobre todo niños, tengan contacto con la herramienta eléctrica o con el cable, y manténgalas lejos del lugar de trabajo.
 - Guarde las herramientas eléctricas
 - Cuando las herramientas eléctricas no se utilizan, deben guardarse en un lugar seco y cerrado, inaccesible para los niños.
 - No sobrecargue las herramientas eléctricas
 - La herramienta eléctrica, seleccionada correctamente, funciona mejor y con mayor seguridad en el régimen de operación declarado para el que ha sido diseñada.
 - Utilice una herramienta eléctrica apropiada
 - No utilice herramientas eléctricas de baja potencia para regímenes de operación pesados.
 - No utilice herramientas eléctricas para una operación a la que no estén destinadas, por ejemplo, no utilice una sierra circular para cortar tocones o ramas.
 - Lleve ropa de trabajo apropiada
 - No lleve ropa ancha o joyas, ya que éstas pueden ser atrapadas por las piezas móviles.

- Es recomendable usar zapatos antideslizantes cuando se esté operando al aire libre.
 - El pelo largo debe estar recogido debajo de un gorro.
9. Utilice medios de protección personales
 - Utilice gafas de protección.
 - Lleve una careta protectora en el rostro o una careta antipolvo si durante las operaciones de trabajo se desprende polvo.
 10. Conecte el mecanismo para evacuar el polvo
 - Si la herramienta eléctrica está provista de mecanismos para aspirar y captar el polvo, cerciéndose de que estén conectados y que se utilicen correctamente.
 11. Utilice el cable según el fin con el que ha sido concebido
 - No tire nunca del cable para sacar el enchufe de la toma de corriente. Mantenga el cable lejos de fuentes de calor, aceites y bordes agudos.
 12. Fije la pieza que está procesando
 - Cuando sea posible, utilice grapas o mordazas para fijar la pieza que se está procesando. Ello es más seguro que estar sujetando la pieza con la mano.
 13. No tienda la mano
 - Mantenga la postura correcta y el equilibrio durante todo el tiempo.
 14. Mantenga con esmero la herramienta eléctrica
 - Mantenga las herramientas cortantes afiladas y limpias para un trabajo mejor y más seguro.
 - Cumpla las instrucciones para lubricar y cambiar los accesorios.
 - Revise periódicamente el cable de la herramienta eléctrica, y, si está averiado, llévalo a un centro de servicio autorizado para repararlo.
 - Revise regularmente los prolongadores y cámbielos si están dañados.
 - Mantenga los asideros secos, limpios y sin huellas de aceite y grasa lubricante.
 15. Saque el enchufe de la red de alimentación
 - Cuando no esté operando con la herramienta eléctrica, antes del mantenimiento o del cambio de los accesorios (cuchillas, brocas o herramientas cortantes), desconecte la herramienta eléctrica de la red de alimentación.
 16. Retire las llaves de regulación y las llaves de tuercas
 - Procure crearse un hábito de revisar si las llaves de regulación y las llaves de tuercas han sido retiradas de la herramienta eléctrica antes de conectarla.
 17. Evite la puesta en marcha fortuita
 - Cerciórese de que el interruptor esté en la posición desconectada antes de conectar la herramienta eléctrica a la red de alimentación.
 18. Utilice prolongadores para operar al aire libre
 - Al operar con la herramienta eléctrica al aire libre, utilice solamente prolongadores que estén marcados y destinados a utilizarse al aire libre.
 19. Manténgase en alerta
 - Opere con mayor atención, sea prudente y no opere con la herramienta eléctrica cuando esté cansado.
 20. Revise si hay piezas dañadas
 - Antes de continuar la operación con la herramienta eléctrica, haga una revisión para comprobar si ésta puede operar correctamente y si puede ejecutar las funciones a las que está destinada.
 - Revise si las piezas móviles funcionan normalmen-

te y si se mueven libremente, si hay piezas rotas, si el montaje es correcto y si existen cualesquiera otras circunstancias que puedan influir desfavorablemente sobre el funcionamiento de la herramienta eléctrica.

- Un mecanismo de seguridad u otra pieza dañada deben repararse debidamente o sustituirse en un centro de servicio autorizado, salvo que no se haya indicado algo distinto en este manual.
 - Los interruptores averiados deben sustituirse en un centro de servicio autorizado.
 - No utilice la herramienta eléctrica si el interruptor no conmuta en las posiciones conectada y desconectada.
21. ¡Advertencia!
 - El uso de accesorios o mecanismos, distintos a los recomendados en este manual, puede provocar un peligro de accidente.
 22. Mantenga su herramienta eléctrica con un especialista cualificado en reparaciones.
 - Esta herramienta eléctrica cumple las respectivas normas de seguridad. La reparación debe efectuarse únicamente por técnicos cualificados, utilizando piezas de recambio originales. De lo contrario, puede surgir un peligro grave para el usuario.

IV - Normas adicionales de seguridad al operar con afiladoras de herramientas



ADVERTENCIA: Antes de conectar la herramienta eléctrica a la red de alimentación, cerciéndose de que el voltaje de alimentación corresponde al indicado sobre la placa de datos técnicos de la herramienta eléctrica.

- Una fuente de alimentación, con voltaje superior al indicado para la herramienta eléctrica, puede ocasionar tanto un daño grave de corriente eléctrica al operador como una avería a la herramienta eléctrica.
- Si tiene algunas vacilaciones, no conecte el enchufe de la herramienta eléctrica en la caja de contacto.
- El uso de una fuente de alimentación, con voltaje inferior al indicado sobre la placa de la herramienta eléctrica, dañará el motor eléctrico..



ADVERTENCIA: Desconecte siempre la herramienta eléctrica y saque el enchufe de la toma de corriente antes de efectuar cualquier ajuste, servicio o mantenimiento.

- Durante la operación, utilice medios de protección de la vista para protegerse de las partículas volantes. Lleve gafas de protección.
- Utilice medios de protección de la audición al operar continuamente. El ruido intenso durante la operación puede ocasionar daños auditivos.
- Adopte medidas preventivas contra la aspiración de polvo. Es posible que algunos materiales contengan

componentes tóxicos. Lleve una careta de protección antipolvo. Debe tener clara la influencia nociva del polvo y de la toxicidad del polvo de determinados materiales.

- Al procesar piezas de metal, se desprenden chispas. No debe haber materiales inflamables cerca de la máquina debido al peligro de incendio elevado. Es recomendable usar un delantal de protección.
- Después de una operación continua, las partes metálicas externas y los accesorios pueden estar calientes. No toque la herramienta de trabajo o la pieza que está procesando inmediatamente después de haber operado; pueden estar sumamente calientes y provocar quemaduras en su piel.
- Cuide sus manos de las piezas giratorias.



ADVERTENCIA: Los discos esmeriladores siguen girando también después de desconectar la máquina.

- Cuide los discos de golpes, sacudidas y del contacto con aceites.
- No se deben usar discos agrietados, dañados o deformados.
- Espere siempre que el disco nuevo colocado gire durante varios minutos en marcha en vacío antes de empezar a operar. Al conectar el interruptor, póngase de un lado de la afiladora de herramientas, y no delante de ésta.
- Cada vez antes de empezar a operar, revise si el disco gira libremente.
- Desconecte siempre la afiladora de herramientas cuando no esté operando con ésta, y no la deje sin vigilancia sin que antes haya desconectado la máquina y haya sacado el enchufe de la toma de corriente. Espere que los discos dejen de girar antes de abandonar el lugar de trabajo.
- Antes de poner en funcionamiento la máquina, cerciórese de que el disco no esté en contacto con la pieza en procesamiento.
- No opere con la afiladora de herramientas si los mecanismos de seguridad y los soportes no han sido colocados ni fijados correctamente.
- No opere con la afiladora de herramientas sin que las pantallas protectoras hayan sido bajadas.
- La herramienta eléctrica debe usarse solamente según el fin con el que ha sido concebida. Cualquier otro uso que difiera del que se describe en este manual se considerará uso incorrecto. La responsabilidad por cualquier daño o lesión, derivados del uso incorrecto, será asumida por el usuario, y no por el fabricante.
- Para explotar correctamente esta herramienta eléctrica, deben cumplirse las normas de seguridad, las instrucciones generales y las indicaciones de operación descritas en este documento. Todas las personas que utilicen o presten servicio a esta máquina deben familiarizarse con el manual de usuario y estar informadas acerca de los peligros potenciales relacionados con esta herramienta eléctrica. Queda prohibido que los niños y las personas físicamente débiles operen con esta herramienta eléctrica. Los niños deben estar siempre bajo vigilancia constante si se encuentran en la zona de operación. Es obligatorio cumplir

las normas de operación segura vigentes en su país. Lo mismo se refiere también a las normas básicas de salud profesional y técnica de seguridad.

- El fabricante no asume responsabilidad por las modificaciones en la herramienta eléctrica, que hayan sido efectuadas por el usuario, o por las averías originadas a raíz de estas modificaciones.



ADVERTENCIA: El uso de cualquier tipo de accesorios o mecanismos, que difieren de los descritos en este manual, puede suponer un riesgo de lesión para el operador.

- La herramienta eléctrica no debe usarse al aire libre cuando esté lloviendo, en un entorno húmedo (después de llover) o cerca de líquidos y gases fácilmente inflamables. El lugar de trabajo debe estar bien iluminado.

V - Componentes principales de la herramienta eléctrica

Antes de empezar a operar con la afiladora de herramientas, infórmese acerca de todas sus peculiaridades operativas y de las condiciones de seguridad. Utilice la herramienta eléctrica y sus accesorios solamente según el fin con el que han sido concebidos. Queda terminantemente prohibida cualquier otra aplicación.

1. Asidero giratorio
2. Pantalla protectora
3. Pie de la pantalla protectora
4. Disco
5. Soporte para piezas
6. Interruptor
7. Base
8. Mecanismo de seguridad del disco
9. Tuerca reguladora
10. Terminal para evacuar el polvo
11. Cepillo de alambre (MBGT 150)
12. Mecanismo de seguridad del cepillo de alambre (MBGT 150)
13. Palanca reguladora del soporte (MBGS 200)
14. Palanca para tender la cinta esmeriladora (MBGS 200)
15. Regulador para posicionar la cinta esmeriladora sobre los rodillos (MBGS 200)
16. Funda de la cinta esmeriladora (MBGS 200)
17. Cinta esmeriladora (MBGS 200)
18. Soporte para piezas (MBGS 200)
19. Tornillo (MBGS 200)

VI - Instrucciones para la operación

Esta herramienta eléctrica se alimenta solamente mediante voltaje monofásico alterno. La herramienta eléctrica es de la clase I, según la norma EN 61029 - 1, y no

puede conectarse a tomas de corriente sin bornes de protección. Las radiointerferencias corresponden a la Directiva de Compatibilidad Electromagnética 2004/108/CE y a las normas EN 61029-1, EN 61029-2-4, EN 55014-1, EN 55014-2, EN 61000-3-2, EN 61000-3-3. La afiladora de herramientas está destinada a operaciones de esmerilado, afilado y limpieza: afilado de todo tipo de herramientas, limpieza de superficies metálicas y perfiles mediante discos esmeriladores de corindón, cepillo de alambre o cinta esmeriladora.

ANTES DE EMPEZAR LA OPERACIÓN



ADVERTENCIA: Desconecte siempre la herramienta eléctrica y saque el enchufe de la toma de corriente antes de efectuar cualquier ajuste, servicio o mantenimiento, incluso al cambiar un accesorio.

- Revise si el voltaje de la red eléctrica corresponde al indicado sobre la placa de datos técnicos de la herramienta eléctrica.
- La herramienta eléctrica debe conectarse solamente a una toma de corriente con borne de protección adicional.
- Revise la posición en la que se encuentra el interruptor. La herramienta eléctrica debe conectarse y desconectarse de la red de alimentación solamente cuando el interruptor esté desconectado. Si el enchufe se introduce en la toma de corriente mientras que el interruptor esté en la posición conectada, la herramienta eléctrica se pondrá en funcionamiento inmediatamente, lo cual es una premisa de accidente.
- Si el cable de alimentación está dañado, debe sustituirse por otro cable o nudo, especialmente preparado por el fabricante o por un técnico de servicio suyo, para evitar los peligros de la sustitución.
- Cuando las temperaturas son bajas y si la máquina no ha funcionado durante largo tiempo, déjela funcionar durante cierto tiempo en marcha en vacío.
- Coloque la afiladora de herramientas de forma estable sobre una mesa de trabajo con superficie plana. La herramienta eléctrica puede fijarse de forma inmóvil a la mesa de trabajo (Fig. 1) o en un pie especial SBG 80 (se suministra aparte) mediante pernos M10 mm. El pie especial SBG 80 se fija al suelo mediante dos pernos M12 mm (Fig. 2).

MONTAJE



ADVERTENCIA: Desconecte siempre la herramienta eléctrica y saque el enchufe de la toma de corriente antes de efectuar cualquier ajuste, servicio o mantenimiento.

- Revise visualmente la utilidad de los discos (4), si tienen daños mecánicos.
- Revise el estado de todos los elementos de entibación. Revise si los tornillos que fijan los mecanismos de seguridad están bien atiesados.
- Monte los soportes para piezas (5) y regule su posición. La distancia entre el soporte (5) y el disco (4) no

debe superar 1,6 mm. Atiese las tuercas reguladoras (9).

- Monte los pies de las pantallas protectoras (3). En una posición de trabajo normal, los discos (4) deben visualizarse bien a través de las pantallas protectoras (2).



ADVERTENCIA: No se debe operar con los mecanismos de seguridad y las pantallas protectoras retirados.

- Después de montar la herramienta eléctrica, conecte el terminal (10) al sistema para evacuar el polvo.

CAMBIO DEL DISCO



ADVERTENCIA: Desconecte siempre la herramienta eléctrica y saque el enchufe de la toma de corriente antes de efectuar cualquier ajuste, servicio o mantenimiento, incluso al cambiar un accesorio.



ADVERTENCIA: Utilice solamente discos con dimensiones y velocidad periférica, que correspondan a los datos técnicos de la afiladora de herramientas.

Para sustituir un disco, realice las operaciones siguientes:

1. Revise visualmente si el disco tiene defectos. Posteriormente, coloque un índice en la abertura del disco nuevo y golpéelo con un objeto ligero no metálico (por ejemplo, el asidero de un destornillador o un pequeño martillo de madera) (Fig.3). El sonido que emite el disco debe ser fino, resonante. Si el sonido es atenuado, ello significa que el disco posee grietas internas y defectos que lo hacen inutilizable.

OBSERVACIÓN: El disco que se está revisando debe estar seco. Los discos húmedos emiten un sonido apagado.



ADVERTENCIA: ¡No utilice nunca discos dañados!

2. Desmonte el mecanismo de seguridad (8) del disco.
3. Sujetando el disco (4) fuertemente con la mano, retire la tuerca y la brida externa del husillo con una llave de tuercas (Fig. 4). Procure que la tuerca del disco izquierdo sea con rosca izquierda, y que la tuerca del disco derecho sea con rosca derecha.
4. Retire el disco viejo y coloque el nuevo.
5. Monte nuevamente la brida y la tuerca. No atiese la tuerca excesivamente. Revise visualmente si han surgido daños en el disco como consecuencia de que haya sido atiesado.
6. Monte el mecanismo de seguridad (8) y atíeselo bien.
7. Espere que la afiladora de herramientas funcione durante varios minutos en marcha en vacío para revisar si el disco gira libremente y si está bien equilibrado.

CAMBIO DE CEPILLO (MBGT 150)



ADVERTENCIA: Desconecte siempre la herramienta eléctrica y saque el enchufe de la toma de corriente antes de efectuar cualquier ajuste, servicio o mantenimiento, incluso al cambiar un accesorio.

Para sustituir el cepillo (11), realice las operaciones siguientes:

1. Desmonte el mecanismo de seguridad (12) del cepillo.
2. Desenrosque la tuerca de sujeción del cepillo y retire la brida. Procure que la tuerca sea con rosca derecha (Fig. 5).
3. Retire el cepillo viejo y coloque el nuevo.
4. Monte nuevamente la brida y atiese la tuerca. No atiese la tuerca excesivamente.
5. Coloque nuevamente el mecanismo de seguridad del cepillo y atíeselo bien.
6. Espere que la afiladora de herramientas funcione durante varios minutos en marcha en vacío para revisar si el cepillo gira libremente y si está bien equilibrado.

CAMBIO DE CINTA (MBGS 200)



ADVERTENCIA: Desconecte siempre la herramienta eléctrica y saque el enchufe de la toma de corriente antes de efectuar cualquier ajuste, servicio o mantenimiento, incluso al cambiar un accesorio.

1. Tire de la palanca para tender la cinta (14) y retire la cinta vieja. (Fig. 6)
2. Revise que la cinta nueva pueda colocarse fácilmente y que no esté desgastada por los extremos.
3. Las flechas de la cinta deben indicar en la misma dirección que la flecha sobre la funda (16).
4. Devuelva la palanca (14) a su posición inicial. (Fig. 7)
5. Introduzca el enchufe en la toma de corriente y conecte la herramienta eléctrica. Deje que la cinta esmeriladora gire durante cierto tiempo.
6. Mientras que la cinta se esté moviendo, utilice el regulador (15) para posicionar la cinta en el centro del rodillo. (Fig. 8)
7. Repita estas actuaciones hasta que la cinta haya sido nivelada correctamente.
8. Coloque la funda en la cinta (16), en la posición de trabajo deseada, con la ayuda del tornillo con hexaedro interno (19). (Fig. 9)
9. Regule la posición del soporte para las piezas (18) respecto a la cinta con la ayuda de la palanca (13). (Fig. 10)

DIMENSIONES DE LA PIEZA QUE SE ESTÁ PROCESANDO

Los gálibos y el peso de la pieza que se está procesando deben asegurar un procesamiento sin obstáculos, sin fijarla previamente, y no provocar una alteración de la posición natural del cuerpo del operador durante la operación.

OPERACIÓN CON LA AFILADORA DE HERRAMIENTAS

- No sobrecargue la herramienta eléctrica. La presión excesiva puede provocar un sobrecalentamiento del motor eléctrico y el desgaste anticipado del disco.



ADVERTENCIA: La presión excesiva sobre un disco frío puede llegar a romperlo.

- No utilice la herramienta eléctrica para fines a los que no esté destinada.
- El cambio de los accesorios debe efectuarse solamente cumpliendo con precisión las instrucciones indicadas anteriormente.
- Antes de empezar a operar, retire todas las llaves de tuercas y las piezas de la herramienta eléctrica, y cerca de ésta.
- La posición de las pantallas protectoras puede regularse. Deben ajustarse de modo que permitan que el operador tenga una buena visibilidad de la zona de trabajo.
- Revise, y, en caso de necesidad, regule la posición de los soportes para las piezas de forma que la distancia entre éstos y el disco no supere 1,6 mm (Fig.11). Puesto que los discos se desgastan con el uso, ajuste regularmente la distancia entre los soportes y los discos. Así se garantizará el ángulo apropiado para afilar, y, de ello, una productividad alta. Los soportes para las piezas deben usarse siempre en posición horizontal.
- Al poner en funcionamiento, deje operar la máquina durante cierto tiempo en marcha en vacío, hasta que el motor se desenvuelva.



ADVERTENCIA: No se deben usar accesorios o mecanismos distintos de los recomendados en este manual.



ADVERTENCIA: No afile ni esmerile piezas de aluminio, cobre o latón.

- Al esmerilar, haga que la superficie frontal del disco entre en contacto con la pieza, y no sus superficies laterales. La carga de las superficies laterales del disco es peligrosa y no debe admitirse.



ADVERTENCIA: Al operar con un cepillo, las partículas del material eliminado, junto con los hilos de metal del cepillo, que se han desprendido por fatiga del material, vuelan con gran fuerza. No opere con la afiladora de herramientas sin bajar las pantallas protectoras y las gafas de protección.

- Cuando utilice el cepillo de alambre, evite aplicar una presión excesiva. La presión excesiva provoca el doblamiento y la ruptura de los hilos metálicos, y reduce la vida útil del cepillo.



ADVERTENCIA: No sobrepase la velocidad de rotación máxima permitida, que ha sido marcada sobre el cepillo.

- No opere con cintas desgastadas, rotas o cubiertas de polvo.
- No toque la cinta móvil.

CONEXIÓN - DESCONEJIÓN

Conexión: Pulse el botón CONEXIÓN "I" del interruptor (6).

Desconexión: Pulse el botón STOP "O" del interruptor (6).

ACCESORIOS

MBG 150/175/200/250: Disco de esmerilado basto, 1 unidad, y disco de esmerilado fino, 1 unidad.

MBGT 150: Disco de esmerilado basto, 1 unidad, y cepillo redondo con hilos ondulados de latón de 0,3 mm, 1 unidad.

MBGS 200: Disco de esmerilado basto, 1 unidad, y cinta esmeriladora, 1 unidad.



ADVERTENCIA: Es posible usar discos de granulación distinta y velocidad máxima admitida >3000 min⁻¹.

VII - Mantenimiento



ADVERTENCIA: Desconecte siempre la herramienta eléctrica y saque el enchufe de la toma de corriente antes de cualquier revisión o mantenimiento.

Esta herramienta eléctrica no necesita un mantenimiento especial. Si a pesar de todo surge algún defecto, es necesario dirigirse a un centro autorizado de servicio de garantía y fuera de garantía de herramientas eléctricas SPARKY.

REVISIÓN GENERAL

Revise regularmente todos los elementos de entibación y cerciórese de que hayan sido bien atiesados. En caso de que alguno de los elementos de entibación esté aflojado, atíéselo inmediatamente para evitar situaciones de riesgo.

Si el cable de alimentación está dañado, su sustitución debe efectuarse por el fabricante o por un técnico de servicio suyo para evitar los peligros de la sustitución.

LIMPIEZA

De vez en cuando, es necesario limpiar el husillo y los mecanismos de seguridad (Fig.12). Si el cuerpo de la máquina necesita limpieza, límpielo con un paño suave y húmedo. Puede usarse un detergente de limpieza suave.

No se deben usar alcohol, gasolina ni otros disolventes. No se deben usar detergentes químicos de uso doméstico que puedan corroer y dañar las piezas de plástico del producto.



ADVERTENCIA: El agua no debe entrar en contacto con la herramienta eléctrica.

VIII - Garantía

El periodo de garantía de las herramientas SPARKY aparece indicado en la hoja de garantía.

Los daños debido a llevar ropa normal, a sobrecargas o manejo indebido se excluirán de la garantía.

Los daños debido al uso de materiales defectuosos, así como a defectos en la hechura serán subsanados libres de gastos por medio de sustitución o reparación. Se reconocerán las quejas por herramientas SPARKY defectuosas si la máquina se devuelve al distribuidor o si se entrega al servicio autorizado de garantía sin desmontar, en su estado inicial.

Notas

Lea atentamente todo el manual del uso antes de utilizar este producto.

El fabricante se reserva el derecho a cambiar las especificaciones sin previo aviso.

Las especificaciones pueden ser distintas de país a país.

Conteúdo

I - Introdução	40
II - Dados técnicos	42
III - Segurança do trabalho	42
IV - Regras adicionais de segurança do trabalho com esmeril	43
V - Conhecimento da ferramenta	A/44
VI - Instruções para o trabalho	44
VII - Manutenção	46
VIII - Garantia	47

DESEMBALAGEM

De acordo com as tecnologias de produção geralmente utilizadas, é pouco provável o novo instrumento eléctrico que você adquiriu ser ineficiente ou lhe faltar alguma peça. Mesmo assim, se você verificar que qualquer coisa não está bem, não trabalhe com o instrumento, enquanto a peça ineficiente não for substituída, ou a imperfeição não ficar eliminada. O não seguimento desta recomendação é capaz de provocar um acidente de trabalho grave.

MONTAGEM

O esmeril fornece-se embalado e completamente ensamblado, excepto os suportes para os ecrãs de segurança e os suportes para peças.

I - Introdução

O novo instrumento eléctrico SPARKY que adquiriu vai ultrapassar as suas expectativas. Ele foi fabricado de acordo com os mais elevados padrões de qualidade da SPARKY, os quais vão de encontro com as exigências mais rigorosas do consumidor. Fácil de manutenção e seguro durante a utilização, sendo correctamente manipulado, este instrumento eléctrico servir-lhe-á fielmente durante muitos anos.

ATENÇÃO!



Leia atentamente toda a instrução para o uso, antes de começar a trabalhar com o seu novo instrumento eléctrico SPARKY. Preste especial atenção aos textos que começam com a palavra “**Atenção**”. O seu instrumento eléctrico SPARKY possui qualidades que hão de facilitar o seu trabalho. Ao ser fabricado este instrumento eléctrico, maior atenção foi prestada à segurança, às qualidades de exploração e à fiabilidade, as quais fazem dele um instrumento fácil de manutenção e de exploração.



Não deitar o instrumento eléctrico para o lixo comum!

Os resíduos de aparelhos eléctricos não se devem misturar com o lixo comum. Mande-os para reciclagem nos lugares destinados a isso. Ponha-se em contacto com as autoridades locais ou com um representante para consultar a forma de reciclagem.

PROTECÇÃO DO MEIO AMBIENTE



Visando a protecção do meio ambiente, o instrumento eléctrico, os seus acessórios e embalagem têm-de-ser submetidos a uma adequada reelaboração para serem novamente utilizadas as matérias primas contidas neles.

Para facilitar a reciclagem, as peças feitas de materiais sintéticos levam a respectiva denotação.

DESCRIÇÃO DOS SÍMBOLOS

Sobre a chapa com os dados do instrumento eléctrico estão denotados os símbolos especiais que fornecem importante informação sobre o artefacto ou recomendações para o seu uso.



Use óculos protectores



Use meios de protecção do ouvido



Use mascara anti-pó



Use luvas protectoras



Use sapatos fortes com solas que não escorregam



Não use roupa larga nem joias que podem ser levadas pelas peças móveis



Conheça a instrução de exploração



Conformidade com as directrizes europeias aplicáveis



Conformidade com as exigências da ordenança alemã acerca da segurança dos equipamentos e os artefactos



Conformidade com as exigências dos documentos normativos russos



Conformidade com as exigências dos documentos normativos ucranianos



Ferramenta eléctrica da classe I de segurança face à corrente eléctrica – com protecção terra

YYYY-Www

Período de fabrico, onde os símbolos variáveis são:

YYYY - ano de fabrico, ww – a respectiva semana corrente do calendário

MBG

ESMERIL

II - Dados técnicos

Modelo:		MBG 150	MBG 175	MBG 200	MBG 250	MBGT 150	MBGS 200
• Consumo de energia	W	520	520	900	900	520	900
• Rotações ao ralenti	min ⁻¹	2950	2950	2950	2950	2950	2950
• Diâmetro externo do disco operacional	mm	150	175	200	250	150	200
• Diâmetro da abertura de adesão do disco operacional	mm	32	32	32	32	32	32
• Grossor do disco operacional	mm	25	25	32	32	25	32
• Dimensões da escova	-	-	-	-	-	Ø150x20xØ32	-
• Superfície lixadeira da cinta	mm	-	-	-	-	-	140x100
• Dimensões da cinta	mm	-	-	-	-	-	914x100
• Nível de pressão sonora	dB (A)	82,7	82,7	84,1	84,1	82,7	84,1
• Nível de potência sonora	dB (A)	95,7	95,7	97,1	97,1	95,7	97,1
• Funcionamento breve S2	min	30	30	30	30	30	30
• Nível de segurança		IP 20	IP 20	IP 20	IP 20	IP 20	IP 20
• Peso (EPTA procedimento 11/2005)	kg	16.0	18.0	28.0	32.0	15.5	32.0
• Classe de segurança (EN 61029-1) Ⓢ		I	I	I	I	I	I

O pó resultante do processamento dos materiais tais como pinturas com conteúdo de chumbo, certos tipos de madeiras, minerais e metais, pode ser nocivo para a saúde. O contacto directo ou a aspiração do pó pode causar reacções alérgicas e/ou doenças das vias respiratórias do trabalhador ou das pessoas que se encontram perto dele.

Alguns tipos de pó, por exemplo o de carvalho ou de faia consideram-se carcinogénicos, sobretudo em combinação com ingredientes utilizados no processamento da madeira, tais como cromado ou conservantes. O material que contém amianto tem de ser processado só por especialistas

- Quando for possível, utilize sistemas para o desvio do pó.
- Para atingir maior grau de captação do pó, ao trabalhar com o instrumento, utilize aspirador de pó.
- Garanta a boa ventilação do local de trabalho.
- Recomenda-se o uso de máscara anti-pó com filtro da classe P2.

Cumpra as regras vigentes no Seu país referentes ao processamento dos diferentes materiais.

III - Segurança do trabalho



ADVERTÊNCIA! Durante o uso da ferramenta eléctrica é preciso observar certas medidas fundamentais de segurança para diminuir o risco de incêndio, trauma por corrente eléctrica e outro tipo de lesão.

Leia esta instrução antes de proceder para o trabalho com a ferramenta e guarde-a para uso no futuro

- Mantenha limpo o posto de trabalho
 - O desordem no posto de trabalho pode provocar acidente.
- Tenha em conta os efeitos do meio ambiente
 - Não use a ferramenta em tempo de chuva.
 - Não use a ferramenta em ambiente úmido ou molhado.
 - Assegure uma boa iluminação do posto de trabalho.
 - Não use a ferramenta na presença de líquidos e gases inflamáveis
- Cuide-se de trauma por corrente eléctrica
 - Evite o contacto do corpo com terra ou superfícies com protecção terra (por ex., tubulação, radiadores, cozinhas eléctricas frigoríficos).
- Mantenha os espectadores à distância.
 - Não deixe espectadores que não têm nada a ver com o trabalho, sobretudo crianças, pegar na ferramenta ou no cordão e mantenha-os longe do posto de trabalho.
- Guarde as ferramentas.
 - Quando não se usam, as ferramentas eléctricas têm de ser guardadas em lugar seco, fechado, inacessível para crianças.
- Não sobrecarregar a ferramenta.
 - A ferramenta eléctrica correctamente escolhida trabalho melhor e com maior segurança no regime operacional para o qual foi concebida.
- Use a ferramenta apropriada.
 - Não use ferramentas de pouca potência em regimes de modo pesado.
 - Não use a ferramenta para trabalhos impróprios, por exemplo, não use serra circular para cortar troncos ou ramos.
- Use roupa de trabalho adequada.
 - Não use roupa larga nem joias que podem ser levadas pelas peças móveis.
 - Recomendam-se sapatos que não escorregam, quando se trabalha ao ar livre.
 - O cabelo comprido tem de se recolher sob chapéu.

9. Use meios individuais de protecção.
 - Use óculos protectores.
 - Use máscara anti-pó ou máscara protectora da cara quando as operações laborais produzirem poeira.
10. Ligue a remoção da poeira.
 - Caso a ferramenta estiver provida de dispositivo para extracção e captação da poeira, convença-se de que foi correctamente ligado e usado.
11. Use o cordão para o que for destinado.
 - Nunca puxe o cordão para retirar a ficha do contacto. Mantenha-o longe de calor, azeites e bordas afiadas.
12. Fixe bem a peça processada.
 - Se possível, use braçadeiras ou vício para fixar a peça processada. Isto é mais seguro do que sustentar a peça com a mão.
13. Não se estique.
 - Mantenha uma posição correcta e equilíbrio do corpo durante todo o tempo de trabalho.
14. Mantenha com cuidado a ferramenta.
 - Mantenha os dispositivos cortantes bem afiados e limpos para um trabalho melhor e mais seguro.
 - Cumpra as instruções de lubrificação e substituição dos acessórios.
 - Revise periodicamente o cordão da ferramenta e se tiver defeitos, leve-o para reparação na oficina de assistência autorizada.
 - Revise regularmente as extensões e substitua-as oportunamente quando avariadas..
 - Mantenha as manipular limpas e sem resíduos de azeite e graxa.
15. Retire a ficha da rede alimentadora.
 - Quando não trabalha com a ferramenta, bem como antes de manutenção ou substituição de dispositivos (laminas, brocas ou folhas cortantes) desligue a ferramenta da rede alimentadora.
16. Retire do posto de trabalho as chaves de regulação e demais chaves
 - Crie o hábito para revisar se as chaves de regulação e demais chaves foram retiradas da ferramenta antes de accioná-la.
17. Evite o accionamento espontâneo.
 - Convença-se de que o interruptor fica na posição de desligado, antes de ligar a ferramenta à rede alimentadora.
18. Use extensões quando trabalha ao ar livre.
 - Ao trabalhar ao ar livre com a ferramenta, use extensões destinadas para uso ao ar livre e com a respectiva marcação para esse fim.
19. Esteja alerta.
 - Trabalhe com a atenção aguçada, seja prudente e não trabalhe com a ferramenta quando estiver cansado.
20. Revise para peças avariadas.
 - Antes de continuar a trabalhar com a ferramenta, faça a respectiva revisão para se assegurar de que pode trabalhar bem e cumprir as funções para as quais foi concebida.
 - Verifique se as peças movies funcionam normalmente e se movem livremente, revise pela presença de peças partidas, pela correcção da montagem e por quaisquer outras circunstâncias que poderiam ter efeito negative sobre o trabalho da ferramenta.
 - Um protector ou qualquer outra peça avariada tem

de ser devidamente reparada ou substituída na oficina autorizada, a não ser que outra coisa seja indicada nesta instrução.

- Os interruptores avariados têm de ser substituídos na oficina autorizada.
 - Não use a ferramenta se o interruptor não comuta de posição ligada para desligada e viceversa.
21. Advertência!
 - O uso de acessórios e dispositivos diferentes dos aqui recomendados pode provocar perigo de acidente.
 22. Faça a manutenção da Sua ferramenta dirigindo-se a um especialista qualificado em reparação.
 - Esta ferramenta fica conforme com as respectivas regras de segurança. A reparação tem de se fazer só por especialistas qualificados em reparação e usando as peças de sobresseolente originais. Caso contrário, pode surgir perigo considerável para o utente.

IV - Regras adicionais de segurança do trabalho com esmeril



ADVERTÊNCIA: Antes de ligar o instrumento à rede alimentadora, verifique se a tensão alimentadora corresponde à assinalada sobre a chapa dos dados técnicos da ferramenta.

- Uma fonte de alimentação de tensão superior à da assinalada para a ferramenta eléctrica, pode provocar ao operador grave lesão da corrente eléctrica, como também pode causar dano à ferramenta.
- Caso tenha quaisquer dúvidas, não meta a ficha do instrumento eléctrico no contacto da rede.
- Uma fonte de alimentação de tensão inferior à da assinalada para a ferramenta eléctrica, pode causar dano ao motor eléctrico da ferramenta



ADVERTÊNCIA: Desligue sempre a ferramenta eléctrica e retire a ficha da rede de contacto antes de realizar qualquer conserto, assistência ou manutenção.

- Ao trabalhar com o esmeril, use os respectivos meios de protecção da vista para se proteger de particulares no ar. Use: óculos protectores.
- Use meios de protecção do ouvido durante um trabalho prolongado. O ruído intensivo durante o trabalho pode causar danos auditivos.
- Tome medidas contra a aspiração de poeira. Alguns materiais contêm componentes tóxicos. Use máscara anti-pó. Tem de estar consciente sobre o efeito nocivo da poeira, e da toxicidade de determinados materiais.
- Durante o processamento de peças de metal saltam faíscas. Não é permitida a presença de materiais inflamáveis perto da ferramenta devido ao elevado risco de incêndio. Recomenda-se usar avental de protecção.

- Depois dum trabalho prolongado, as partes metálicas externas e os acessórios podem ficar quentes. Não pegue no dispositivo operacional nem na peça processada imediatamente depois do trabalho. Pelo facto de terem ficado quentes de mais, pode sofrer queimaduras na pele.
- Cuide as mãos de peças em movimento.



ADVERTÊNCIA: Os discos de lixação continuam a girar mesmo depois de a ferramenta ter sido desconectada.

- Cuide os discos de golpes, choques e contacto com azeitee.
- Não use discos rachados, defeituosos ou deformados.
- Sempre espere o novo disco girar alguns minutos ao ralenti, antes de iniciar o trabalho. Ao ligar o interruptor, coloque-se sempre do lado do esmeril e nunca diante dele.
- Antes de iniciar o trabalho, verifique se o disco se move livremente.
- Sempre desconecte o esmeril, quando não trabalha com ele e não o deixe sem controlo, sem ter ante disso desconectado a ferramenta e retirado a ficha de rede de contacto. Espere os discos deixarem de girar, antes de abandonar o posto de trabalho.
- Antes de accionar a ferramenta, convença-se de que o disco não toca a peça processada.
- Não trabalhe com o esmeril se os protectores e os suportes não ficam correctamente colocados e bem fixados.
- Não trabalhe com o esmeril sem ter os ecrãs de segurança postos.
- A ferramenta tem de se utilizar só para o que for destinada. Qualquer outro uso, diferente do que se descreve na presente instrução considerar-se-á uso incorrecto. A responsabilidade de qualquer dano ou lesão em resultado do uso incorrecto, será assumida pelo consumidor e não pelo fabricante.
- Para explorar correctamente esta ferramenta, tem de observar as regras de segurança, as instruções gerais e as indicações para o trabalho aqui assinaladas. Todos os consumidores têm de conhecer esta instrução e estar informados sobre os riscos potenciais ao trabalhar com a ferramenta.
- Crianças e pessoas de físico fraco não têm de trabalhar com a ferramenta. As crianças têm de encontrar-se sob vigilância permanente, caso se encontrarem perto do lugar onde se trabalha com a ferramenta. É preciso serem tomadas obrigatoriamente medidas preventivas de segurança. O mesmo refere-se à observância das regras principais de saúde profissional e segurança técnica. O fabricante não assume a responsabilidade pelas alterações feitas na ferramenta pelo consumidor, nem pelas avarias que decorrem dessas alterações.



ADVERTÊNCIA: O uso de dispositivos ou acessórios diferentes dos recomendados nesta instrução, constitui risco de traumatismos para o operador.

- O instrumento eléctrico não se deve usar à intempérie em tempo de chuva, em ambiente úmido (depois de chuva) ou perto de líquidos e gases inflamáveis. O local de trabalho tem de se manter bem iluminado.

V - Conhecimento da ferramenta

Antes de começar a trabalhar com a ferramenta eléctrica, conheça todas as suas especificidades operacionais e as condições de segurança.

Use o instrumento e os seus acessórios só para o que forem destinados. Qualquer outra aplicação é terminantemente proibida.

1. Manipula giratória
2. Ecrã de segurança
3. Suporte do ecrã de segurança
4. Disco
5. Suporte de peças
6. Interruptor
7. Fundamento
8. Protector do disco
9. Castanha reguladora
10. Bocal de remoção da poeiraНакрайник за прахоотвеждане
11. Escova de arame (MBGT 150)
12. Protector da escova de arame (MBGT 150)
13. Alavanca reguladora do suporte.(MBGS 200)
14. Alavanca de flexão da cinta lixadeira (MBGS 200)
15. Regulador de posicionamento da cinta lixadeira sobre os rolos (MBGS 200)
16. Camisa da cinta lixadeira (MBGS 200)
17. Cinta lixadeira (MBGS 200)
18. Suporte de peça (MBGS 200)
19. Parafuso (MBGS 200)

VI - Instruções para o trabalho

Este modelo de ferramenta eléctrica alimenta-se unicamente por tensão alternada monofásica. É da classe I segundo EN 61029 - 1 e não se pode juntar a tomadas sem clips de segurança. As radio-perturbações correspondem à Directriz sobre a compatibilidade electro-magnética 2004/108/EC e EN 55014-1, EN 55014-2, EN 61000-3-2, EN 61000-3-3.

O esmeril destina-se a operações de lixação, afiação e limpeza: afiação de todo tipo de instrumentos, limpeza de superfícies metálicas e perfis mediante discos lixadores de corindon, escova de arame, ou cinta lixadeira

ANTES DE INICIAR O TRABALHO



ADVERTÊNCIA: Desligue a ficha da tomada antes de realizar quaisquer consertos, reparações ou manutenção.

- Verifique se a tensão da rede eléctrica corresponde à que está indicada sobre a chapa com os dados técnicos.

cos da ferramenta eléctrica, incluindo a substituição do disco.

- A ferramenta liga-se à rede só mediante contacto com terminal de protecção adicional.
- Verifique em que posição se encontra o interruptor. A ferramenta tem de se ligar e desligar da rede só com o interruptor nulificado. Se meter a ficha na rede enquanto o interruptor estiver em posição de accionado, a ferramenta accionar-se-á imediatamente, o qual é premissa para um acidente.
- Assegure-se da perfeição do cabo de alimentação e da ficha de tomada. Se o cabo de alimentação está danificado, a sua substituição tem de se fazer pelo produtor ou por especialista da oficina autorizada por ele para evitar os perigos decorrentes dessa operação.
- Em ambiente de baixas temperaturas e se a ferramenta não tiver trabalhado algum tempo, deixe-a trabalhar certo tempo ao ralenti.
- Coloque o esmeril de modo estável sobre uma mesa de superfície plana. A ferramenta pode fixar-se sobre uma mesa de trabalho (Fig.1) ou em suporte especial SBG 80 (fornece-se à parte) mediante parafusos M10 mm. O suporte especial SBG 80 fixa-se sobre o chão com dois parafusos M12 mm (Fig. 2).

MONTAGEM



ADVERTÊNCIA: Sempre desconecte a ferramenta e desligue a ficha da tomada antes de realizar quaisquer consertos, reparações ou manutenção.

- Revise visualmente a adequação dos discos (4) quanto a defeitos mecânicos.
- Revise o estado de todos os elementos de suporte. Verifique se os parafusos que fixam os protectores ficam bem apertados.
- Monte os suportes para peças (5) e regule a sua posição. A distância entre suporte (5) e disco (4) não tem de ultrapassar os 1,6 mm. Aperte as castanhas reguladoras (9).
- Monte os suportes dos ecrãs de segurança (3). Na posição operacional normal os discos (4) têm de se ver bem através dos ecrãs de segurança (2).



ADVERTÊNCIA: Não é permitido trabalhar com os protectores e os ecrãs de segurança retirados.

- Depois de montar a ferramenta, ligue o bocal (10) a um sistema de remoção da poeira.

MUDANÇA DE DISCO



ADVERTÊNCIA: Sempre desconecte a ferramenta e desligue a ficha da tomada antes de realizar quaisquer consertos, reparações ou manutenção, incluindo a substituição do disco.



ADVERTÊNCIA: Use só discos de dimensões e velocidade periférica que vão de encontro aos dados técnicos do esmeril.

Para substituir o disco, realize as seguintes operações:

1. Revise visualmente o disco para defeitos. Depois meta o dedo polegar na abertura do disco e bata nele com um objecto ligeiro não metálico (por exemplo, a cauda duma chave de fenda ou um maço) (Fig.3). O som que emite o disco tem de ser fino, tinido. Se o som for abafado, o disco tem rachaduras e defeitos internos que o fazem inapto para uso.

OBSERVAÇÃO: O disco a ser revisado tem de estar seco. Os discos úmidos emitem som abafado.



ADVERTÊNCIA: Nunca use discos defeituosos!

2. Desmonte o protector (8) do disco.
3. Sujete o disco (4) bem com a mão, retire a castanha e o flange externo do fuso com uma chave inglesa (Fig.4). Preste atenção ao facto de que a castanha do disco esquerdo tem rosca esquerda, ao passo que a castanha do disco direito é de rosca direita.
4. Retire o disco velho e coloque o novo.
5. Monte de novo o flange e a castanha. Não aperte de mais a castanha. Revise visualmente pela presença de danos sobre o disco em consequência do aperto.
6. Monte o protector (8) e aperte-o bem
7. Deixe o esmeril trabalhar alguns minutos ao ralenti para verificar se o disco gira livremente e fica bem equilibrado.

MUDANÇA DE ESCOVA (MBGT 150)



ADVERTÊNCIA: Sempre desconecte a ferramenta e desligue a ficha da tomada antes de realizar quaisquer consertos, reparações ou manutenção, mesmo substituição de acessório.

Para substituir a escova (11), realize as seguintes operações:

1. Desmonte o protector (12) da escova.
2. Desenrole a castanha de fixação da escova e retire o flange. Preste atenção ao facto de que a castanha é de rosca direita.(Fig.5)
3. Retire a escova velha e coloque a nova.
4. Monte de novo o flange e aperte a castanha. Não aperte de mais a castanha.
5. Monte o protector da escova e aperte-o bem
6. Deixe o esmeril trabalhar alguns minutos ao ralenti para verificar se a escova gira livremente e fica bem equilibrada.

MUDANÇA DE CINTA (MBGS 200)



ADVERTÊNCIA: Sempre desconecte a ferramenta e desligue a ficha da tomada antes de realizar quaisquer consertos, reparações ou manutenção, mesmo substituição de acessório.

1. Puxe a alavanca de flexão da cinta (14) e retire a cinta velha. (Fig. 6)
2. Verifique se a nova cinta se coloca facilmente e se não tem as bordas gastas.
3. As setas sobre a cinta têm de apontar no mesmo sentido da seta sobre a camisa (16).
4. Devolva a alavanca (14) na sua posição inicial. (Fig. 7)
5. Meta a ficha no contacto e ligue a ferramenta. Deixe a cinta lixadeira girar algum tempo.
6. Enquanto a cinta girar, use o regulador (15) para consertar a cinta no centro do rolo. (Fig. 8)
7. Repita esses actos até a cinta ficar correctamente alinhada.
8. Coloque a camisa sobre a cinta (16) na posição desejada com a ajuda do parafuso de hexaedro interno (19). (Fig. 9)
9. Regule a posição do suporte de peça (18) em relação à cinta com a ajuda da alavanca (13). (Fig. 10)

DIMENSÕES DA PEÇA PROCESSADA

Os gabaritos e o peso da peça processada têm de garantir o processamento fácil, sem prévia fixação e sem provocar alteração da posição natural do corpo do operador durante o trabalho.

TRABALHO COM O ESMERIL

- Não sobrecarregue a ferramenta. A pressão exagerada pode provocar sobreaquecimento do motor e desgaste prematuro do disco.



ADVERTÊNCIA: A pressão exagerada sobre um disco frio pode provocar a sua quebra.

- Não use a ferramenta para o que não for destinada.
- A substituição de disco realiza-se observando rigorosamente as instruções supra.
- Retire todas as chaves inglesas e peças que se encontram sobre a ferramenta e perto dela, antes de iniciar o trabalho.
- A posição dos ecrãs de segurança pode ser regulada. Eles têm de ser posicionados de modo que permitam ao operador uma boa vista sobre a zona operacional.
- Revise e, caso seja necessário, regule a posição dos suportes para peças de modo que a distância entre elas e o disco não ultrapasse os 1,6 mm (Fig.11). Dado que os discos ficam gastos pelo uso, regule regularmente a distância entre os suportes e os discos. Isto vai assegurar o ângulo adequado para a afiação e, daí, uma produtividade elevada.
- Ao arrancar a ferramenta, deixe-a trabalhar ao ralenti até o motor atingir a sua velocidade normal.



ADVERTÊNCIA: Não se admite o uso de dispositivos e acessórios diferentes dos recomendados nesta instrução.



ADVERTÊNCIA: Não afie nem lixe peças de alumínio, cobre ou latão.

- Ao lixar, toque com a peça a superfície frontal do disco e não as suas superfícies laterais. A pressão sobre as superfícies laterais do disco é perigosa e não se tem de admitir.



ADVERTÊNCIA: Ao trabalhar com escova, aparas do material processado, bem como pequenos pedaços da escova de arame que caem devido ao cansaço do material, ressaltam com grande força. Não trabalhe com o esmeril sem os ecrãs de segurança postos nem sem óculos protectores

- Ao trabalhar com a escova de arame, evite exercer uma pressão exagerada. A pressão exagerada provoca dobramento e partida das fibras e diminui a vida da escova.



ADVERTÊNCIA: Não ultrapasse a velocidade de máxima permissível, marcada sobre a escova.

- Não trabalhe com cintas lixadeiras gastas, partidas ou impregnadas de poeira.
- Não toque a cinta quando estiver em movimento.

ARRANCO - PARAGEM

Arranco: Aperte o botão "I" do interruptor (6).

Paragem: Aperte o botão "O" do interruptor (6).

ACESSÓRIOS

MBG 150/175/200/250: Disco de lixação tosca – 1 (um) e disco de lixação fina – 1 (um).

MBGT 150: Disco de lixação tosca – 1 (um) e escova redonda de fibras onduladas 0,3 mm de latão – 1 (uma)

MBGS 200: Disco de lixação tosca – 1 (um) e cinta lixadeira 1 (uma)



ADVERTÊNCIA: Podem ser usados discos de diferente granulacão e velocidade máxima permissível >3000 мин⁻¹

VII - Manutenção



ADVERTÊNCIA: Sempre desligue a ficha da tomada antes de realizar quaisquer consertos, reparações ou manutenção.

Esta ferramenta não exige manutenção especial, nem se compõe de elementos que exigem assistência técnica ou substituição periódica. Mesmo assim, caso a lanterna sem fio ficar avariada, a reparação tem de se fazer só nas oficinas de assistência autorizadas da SPARKY.

REVISÃO GERAL

Revise regularmente todos os elementos de suporte e convença-se de estarem bem apertados. Se algum dos parafusos estiver afrouxado, aperte-o imediatamente para evitar situações de risco.

Caso o cabo alimentador estiver danificado, a substituição tem de se fazer pelo fabricante ou por algum especialista autorizado por ele, para serem evitados os perigos decorrentes da substituição.

LIMPEZA

Para um trabalho seguro mantenha sempre limpas a ferramenta e as aberturas de ventilação.

Verifique regularmente se na grade da ventilação perto do motor eléctrico e dos comutadores não tenham penetrado pó ou corpos alheios. Use uma escova fina para remover o pó acumulado. Para proteger os olhos durante a limpeza use óculos protectores.

Caso o corpo da ferramenta precise de limpeza, use um pano macio húmido. Pode usar também algum detergente fraco.



ADVERTÊNCIA: Não se admite o uso de álcool, gasolina ou outros solventes. Nunca use substâncias corrosivas para limpar as partes de plástico.



ADVERTÊNCIA: Não se admite a entrada de água em contacto com a ferramenta.

VIII - Garantia

O prazo de garantia dos instrumentos eléctricos SPARKY está indicado no cartão de garantia. Problemas surgidos em resultado do desgaste natural, sobrecarga ou utilização incorrecta, ficam excluídos dos deveres da garantia. Os problemas surgidos devido ao uso de materiais de baixa qualidade e/ou erros de fabricação, eliminam-se sem pagamento adicional mediante substituição ou reparação.

Reclamação por um instrumento eléctrico SPARKY defeituoso reconhece-se quando o instrumento for devolvido ao distribuidor ou for levado a uma oficina autorizada de assistência em prazo de garantia no seu estado inicial (montado).

Observações

Leia atentamente toda a instrução para o uso, antes de começar a trabalhar com este aparelho.

O fabricante reserva-se o direito de introduzir melhoras e modificações nos seus aparelhos, bem como modificar as especificações sem aviso.

As especificações podem variar de país para país.

Spis treści

I - Wstęp	48
II - Dane techniczne	50
III - Bezpieczna obsługa	50
IV - Instrukcje bezpieczeństwa pracy szlifierkami stołowymi	51
V - Podstawowe elementy	A/52
VI - Działanie	52
VII - Konserwacja	54
VIII - Gwarancja	55

ROZPAKOWANIE

Państwo produkt został zmontowany i zapakowany z należytą starannością, istnieje niewielkie prawdopodobieństwo, że urządzenie może być uszkodzone lub brakować części. Jeśli zostanie taki fakt stwierdzony nie należy używać urządzenia do momentu usunięcia braków. Praca niekompletnym urządzeniem może być przyczyną poważnych uszkodzeń ciała.

MONTAŻ

Szlifierki są dostarczane w pełni zmontowane z wyjątkiem osłony przeciwiskrowej oraz podpórki.

I - Wstęp

Gratulujemy wyboru urządzenia SPARKY, zdolnego spełnić oczekiwania najbardziej wymagającego użytkownika. Urządzenie zostało wyprodukowane zgodnie z rygorystycznymi standardami jakości SPARKY, aby zapewnić najwyższą jakość funkcjonowania. To łatwe i bezpieczne w użytkowaniu urządzenie, odpowiednio stosowane i konserwowane, zapewni Państwu długie lata niezawodnej pracy.



UWAGA!

Prosimy o dokładne zapoznanie się z niniejszą instrukcją obsługi przed użyciem urządzenia SPARKY, zwracając szczególną uwagę na ostrzeżenia i uwagi. Dzięki swoim cechom urządzenia SPARKY zapewnia szybką i łatwą pracę. Bezpieczeństwo, niezawodność i wydajność były priorytetami przy konstruowaniu tego urządzenia, by zapewnić łatwość obsługi oraz utrzymania.



Nie wyrzucać urządzeń elektrycznych razem z domowymi śmieciami!

Zużyte urządzenia elektryczne nie mogą być wyrzucane wraz z ze śmieciami z gospodarstwa domowego. Tam gdzie to możliwe, należy oddać zużyte urządzenie do punktu recyklingu. Należy skontaktować się z władzami lokalnymi lub sprzedawcą w celu uzyskania informacji odnośnie recyklingu.



OCHRONA ŚRODOWISKA

Urządzenie, akcesoria oraz opakowanie powinny zostać odpowiednio posortowane przez recyklingiem. Części plastikowe są oznaczone odnośnie odpowiedniej kategorii odzyskiwania surowca.

OPIS SYMBOLI

Tabliczka znamionowa na urządzeniu może zawierać symbole graficzne. Przedstawiają one ważne informacje o produkcie lub jego obsłudze.



Stosować okulary ochronne



Stosować ochronę słuchu



Stosować maskę przeciwpyłową



Nosić rękawice ochronne



Nosić buty na podeszwie antypoślizgowej



Nie nosić luźnej odzieży ani biżuterii; mogą zostać uchwycone przez obracające się elementy



Zapoznać się z instrukcją obsługi



Zgodny z odpowiednimi dyrektywami europejskimi



Zgodny z wymogami Niemieckiej Uchwały o Bezpieczeństwie Urządzeń i Produktów



Zgodny z wymogami standardów rosyjskich



Narzędzie spełnia przepisy ukraińskich dokumentów normatywnych



Urządzenie elektryczne, klasa ochrony I - ochrona przeciw porażeniu prądem przy podłączeniu do źródła zasilania z przewodem zerowym


YYYY-Www

Okres produkcji, w którym zmiennymi symbolami są:
YYYY - roku produkcji, ww – tydzień kalendarzowy

MBG

PODWÓJNA SZLIFIERKA STOŁOWA

II - Dane techniczne

Model:		MBG 150	MBG 175	MBG 200	MBG 250	MBGT 150	MBGS 200
▪ Moc	W	520	520	900	900	520	900
▪ Prędkość obrotowa bez obciążenia	min ⁻¹	2950	2950	2950	2950	2950	2950
▪ Średnica tarczy	mm	150	175	200	250	150	200
▪ Średnica wewnętrzna tarczy	mm	32	32	32	32	32	32
▪ Grubość tarczy	mm	25	25	32	32	25	32
▪ Średnica szczotek	mm	-	-	-	-	Ø150x20xØ32	-
▪ Obszar szlifowania	mm	-	-	-	-	-	140x100
▪ Średnica taśmy szlifierskiej	mm	-	-	-	-	-	914x100
▪ Poziom ciśnienia akustycznego	dB (A)	82,7	82,7	84,1	84,1	82,7	84,1
▪ Poziom mocy akustycznej	dB (A)	95,7	95,7	97,1	97,1	95,7	97,1
▪ Reżim pracy S2	min	30	30	30	30	30	30
▪ Klasa ochrony		IP 20	IP 20	IP 20	IP 20	IP 20	IP 20
▪ Waga (zgodnie z procedurą EPTA 11/2005)	kg	16.0	18.0	28.0	32.0	15.5	32.0
▪ Klasa bezpieczeństwa (EN 61029 -1) 							

Pyłki niektórych materiałów, na przykład powłok malarskich z zawartością ołowiu, niektórych gatunków drewna, minerałów lub niektórych rodzajów metalu, mogą stanowić zagrożenie dla zdrowia. Bezpośredni kontakt fizyczny z pyłami lub przedostanie się ich do płuc może wywołać reakcje alergiczne i/lub choroby układu oddechowego operatora lub osób znajdujących się w pobliżu.

Niektóre rodzaje pyłów, np. dębiny lub buczyny uważane są za rakotwórcze, szczególnie w połączeniu z substancjami do obróbki drewna (chromiany, impregnaty do drewna). Materiały, zawierające azbest mogą być obrabiane jedynie przez odpowiednio przeszkolony personel.

- W razie możliwości należy stosować odsysanie pyłów.
- Należy zawsze dbać o dobrą wentylację stanowiska pracy.
- Zaleca się noszenie maski przeciwpyłowej z pochłaniaczem klasy P2.

Należy stosować się do aktualnie obowiązujących w danym kraju przepisów, regulujących zasady obchodzenia się z materiałami przeznaczonymi do obróbki.

III – Bezpieczna obsługa



UWAGA! Podczas korzystania z elektronarzędzi należy zawsze przestrzegać podstawowych zasad bezpieczeństwa w celu redukcji zagrożenia pożarem, porażenia prądem lub obrażeniami ciała.

Przed rozpoczęciem pracy niniejszym urządzeniem należy zapoznać się z niniejszą instrukcją i zachować ją.

1. Utrzymywać czystość w miejscu pracy:
 - Nieład w miejscu pracy sprzyja wypadkom.
2. Brać pod uwagę cechy miejsca pracy
 - Nie narażać urządzenia na działanie deszczu.
 - Nie używać urządzenia w wilgotnych lub mokrych

miejscach.

- Dbać o dobre oświetlenie w miejscu pracy.
 - Nie używać urządzeń w pobliżu płynów lub gazów łatwopalnych.
3. Chronić przed porażeniem prądem
 - Unikać kontaktu ciała z uziemionymi powierzchniami (np. rurami, grzejnikami, piecykami, lodówkami).
 4. Nie dopuszczać osób postronnych
 - Nie zezwalać osobom postronnym, a szczególnie dzieciom, na dotykanie urządzenia lub przewodu i nie dopuszczać ich do miejsca pracy.
 5. Przechowywanie
 - Jeśli urządzenie jest nieużywane, należy je przechowywać w suchym, zamkniętym miejscu, poza zasięgiem dzieci.
 6. Nie przeciążać urządzenia
 - Wykonać pracę lepiej i bezpieczniej w trybie do jakiego zostało przeznaczone.



7. Zastosowanie
 - Nie stosować małych urządzeń do prac przeznaczonych dla urządzeń do dużych obciążeń.
 - Używać tylko zgodnie z przeznaczeniem; np. nie używać wyrzynarek do cięcia gałęzi albo pni.
8. Nosić odpowiedni ubiór
 - Nie nosić luźnego ubrania ani biżuterii; mogą utkwić w ruchomych częściach urządzenia.
 - Zaleca się noszenie butów anty-poślizgowych podczas prac na zewnątrz.
 - Oslaniać długie włosy.
9. Stosować wyposażenie ochronne
 - Stosować okulary ochronne
 - Używać maski przeciwpyłowej przy pracach powodujących powstawanie pyłów.
10. Dołączać urządzenia odprowadzające pył.
 - Jeśli urządzenie jest wyposażone w przyłącze odprowadzania lub gromadzenia pyłów, upewnić się czy są dobrze podłączone.
11. Dbać o przewód
 - Nigdy nie szarpać za przewód w celu wyciągnięcia wtyczki z gniazda. Trzymać z dala od źródeł ciepła, olejów i ostrych przedmiotów.
12. Bezpieczna praca
 - Jeśli możliwe, zawsze stosować zaciski lub imadła do przytrzymania obrabianego materiału. Jest to bezpieczniejsze od przytrzymywania dłońmi.
13. Nie przeceniać możliwości
 - Przez cały czas zachowywać właściwą równowagę.
14. Konserwować urządzenia
 - Narzędzia tnące powinny być zawsze ostre i czyste – zapewni to bezpieczniejszą i lepszą pracę.
 - Wymianę osprzętu oraz oliwienie przeprowadzać zgodnie z instrukcją obsługi.
 - Okresowo sprawdzać przewód zasilający, w przypadku stwierdzenia uszkodzenia, naprawiać wyłącznie w autoryzowanym serwisie.
 - Okresowo sprawdzać przedłużacz i wymieniać w przypadku uszkodzenia.
 - Uchwyty powinny być zawsze czyste i wolne od tłuszczu lub oleju.
15. Odłączanie urządzenia
 - W przypadku nieużywania, przed naprawą oraz przed zmianą osprzętu, np. brzeszczotów, bitów, narzędzi tnących, należy urządzenie odłączyć od źródła zasilania.
16. Wyjmować osprzęt do regulacji.
 - Wyrobić nawyk sprawdzania czy osprzęt do regulacji np. klucz został wyjęty z urządzenia przed włączeniem.
17. Unikać niezamierzonego włączenia.
 - Przed podłączeniem do zasilania, upewnić się, czy włącznik znajduje się w pozycji “wyłączony”.
18. Używać przedłużaczy do pracy na zewnątrz.
 - W przypadku pracy na zewnątrz, używać wyłącznie przedłużaczy przeznaczonych do pracy na zewnątrz i odpowiednio oznaczonych.
19. Zachować koncentrację
 - Patrzeć co się robi, kierować się zdrowym rozsądkiem i nie pracować w stanie zmęczenia.
20. Sprawdzać uszkodzenia
 - Przed dalszym użyciem urządzenia, należy dokładnie sprawdzić czy będzie właściwie działać i wyko-

nywać swoje funkcje.

- Sprawdzać położenie części ruchomych, połączenia części ruchomych, uszkodzenia części, montaż i wszelkie inne warunki mające wpływ na działanie urządzenia.
 - Osłona lub inna uszkodzona część powinna zostać odpowiednio naprawiona lub wymieniona przez autoryzowany serwis, chyba że instrukcja stanowi inaczej.
 - Uszkodzone włączniki wymieniać w autoryzowanym serwisie.
 - Nie używać urządzenia jeśli włącznik nie funkcjonuje.
21. Ostrzeżenie
 - Zastosowanie osprzętu innego niż zalecanego w niniejszej instrukcji może spowodować ryzyko obrażeń ciała.
 22. Zlecać naprawy wykwalifikowanemu personelowi.
 - Niniejsze urządzenie elektryczne jest zgodne z odpowiednimi standardami bezpieczeństwa. Naprawy powinny być wykonywane wyłącznie przez wykwalifikowany personel, w innym przypadku może powstać duże zagrożenie dla użytkownika.

IV – Instrukcje bezpieczeństwa pracy szlifierkami stołowymi



UWAGA: Przed podłączeniem do sieci, należy sprawdzić czy napięcie prądu zasilania jest takie samo jak na tabliczce znamionowej urządzenia.

- Napięcie wyższe niż oznaczone na tabliczce znamionowej urządzenia może spowodować obrażenia ciała oraz uszkodzenia urządzenia.
- W przypadku wątpliwości nie włączać urządzenia.
- Używanie źródeł zasilania o napięciu niższym niż na tabliczce znamionowej jest szkodliwe dla silnika.



UWAGA: Zawsze należy odłączać urządzenie od zasilania przed każdą regulacją, naprawą oraz konserwacją.

- Podczas pracy zapewnić ochronę wzroku przed odpryskami. Stosować okulary ochronne.
- Podczas pracy ciągłej stosować ochronę słuchu. Intensywne natężenie hałasu podczas pracy może uszkodzić słuch.
- Stosować ochronę przeciwpyłową. Niektóre materiały mogą zawierać toksyczne składniki. Stosować maskę przeciwpyłową i pracować z systemem odprowadzania pyłów. Należy być świadomym szkodliwego wpływu pyłów, toksyczności pyłów z niektórych materiałów.
- Podczas obróbki metalu powstaje snop iskier. W celu ochrony przeciwpożarowej, nigdy nie należy przechowywać substancji łatwopalnych w pobliżu urządzenia. Zaleca się stosowanie skórzanego fartucha ochronnego.



- Podczas pracy ciągłej, zewnętrzne części metalowe oraz osprzęt nagrzewają się. Nie dotykać tarcz ściernych podczas pracy ani bezpośrednio po jej zakończeniu, mogą być bardzo gorące. Można ulec poważnym oparzeniom.
- Chronić dłonie przed ruchomymi częściami.



UWAGA: Tarcze ściernie obracają się przez chwilę po wyłączeniu urządzenia.

- Chronić tarcze przed uderzeniami, wstrząsami i kontaktem z olejem.
- Nie stosować uszkodzonych, nierównych lub wibrujących tarcz.
- Po założeniu nowej tarczy zawsze przeprowadzić próbny rozruch przez kilka minut na pełnych obrotach. Stanąć z boku podczas włączania.
- Za każdym razem przed włączeniem, sprawdzić czy tarcze obracają się swobodnie.
- Zawsze wyłączać szlifierkę po zakończeniu pracy i nigdy nie zostawiać jej bez nadzoru przed wyłączeniem i odłączeniem od zasilania. Nie pozostawiać szlifierki bez nadzoru zanim tarcze ściernie całkowicie się nie zatrzymają.
- Przed włączeniem upewnić się, czy tarcze nie dotykają obrabianego materiału.
- Nie używać szlifierki dopóki osłony tarcz oraz podpórki nie zostaną należycie zamontowane i zabezpieczone.
- Nie używać szlifierki dopóki osłona przeciwiskrowa nie zostanie opuszczona.
- Stosować wyłącznie zgodnie z przeznaczeniem. Użycie inne niż opisane w niniejszej instrukcji zostanie potraktowane jako niezgodne z przeznaczeniem. W takim wypadku, użytkownik a nie producent będzie odpowiedzialny za wszelkie zniszczenia lub obrażenia wynikłe z zastosowania niezgodnego z przeznaczeniem.
- W celu należytej obsługi urządzenia należy dokładnie zapoznać się z zasadami bezpieczeństwa, wskazówkami montażu oraz obsługi zawartymi w niniejszej instrukcji. Wszyscy użytkownicy muszą zostać zapoznani z niniejszą instrukcją obsługi oraz poinformowani o potencjalnych zagrożeniach związanych z pracą urządzeniem elektrycznym. Chronić przed dziećmi i osobami postronnymi. Należy stosować się do lokalnych przepisów bezpieczeństwa oraz bezpieczeństwa i higieny pracy.
- Producent wyłącza wszelką odpowiedzialność za jakiegokolwiek zmiany dokonane w urządzeniu oraz ewentualne szkody wynikłe z ich dokonania.



UWAGA: Zastosowanie innego osprzętu lub dodatków niż zalecane w niniejszej instrukcji może spowodować ryzyko obrażeń dla operatora.

- Nie używać urządzenia na zewnątrz podczas lub bezpośrednio po deszczu. Nie używać urządzenia także w bezpośredniej bliskości materiałów łatwopalnych. Miejsce pracy musi być dobrze oświetlone.

V – Podstawowe elementy

Przed użyciem urządzenia należy zapoznać się z niniejszą instrukcją, opisem działania urządzenia oraz wymogami bezpieczeństwa. Stosować urządzenie oraz osprzęt wyłącznie zgodnie z przeznaczeniem. Inne zastosowania są zabronione.

1. Gałka
2. Osłona przeciwiskrowa
3. Wspornik osłony przeciwiskrowej
4. Tarcza ścierna
5. Podpórka
6. Włącznik
7. Podstawa
8. Osłona tarczy
9. Nakrętka
10. Przyłącze odprowadzania pyłów
11. Szczotka druciana (MBGT 150)
12. Osłona szczotki (MBGT 150)
13. Dźwignia regulacji podpórki (MBGS 200)
14. Dźwignia regulacji napięcia taśmy (MBGS 200)
15. Pokrętko regulacji przesuwu (MBGS 200)
16. Osłona taśmy szlifierskiej (MBGS 200)
17. Taśma szlifierska (MBGS 200)
18. Podpórka (MBGS 200)
19. Śruba (MBGS 200)

VI - Działanie

Ten model SPARKY jest zasilany wyłącznie jednofazowym prądem zmiennym. Niniejsze urządzenie posiada klasę bezpieczeństwa I zgodnie z normą EN 61029-1 i nie może być podłączane do gniazd bez ochronnego uzziemia. Tłumienie zakłóceń radiowych zgodnie z dyrektywą EMC 2004/108/ EC oraz EN 61029-1, EN 61029-2-4, EN 55014-1, EN 55014-2, EN 61000-3-2, EN 61000-3-3.

Szlifierka stołowa jest przeznaczona do szlifowania, ostrzenia, polerowania wszelkiego rodzaju metalowych powierzchni i innych elementów za pomocą korundowej tarczy szlifierskiej, szczotek drucianych lub taśmy szlifierskiej.

PRZED PIERWSZYM ROZRUCHEM



UWAGA: Zawsze wyłączać i odłączać urządzenie od zasilania przed jakąkolwiek regulacją, serwisowaniem lub konserwacją włącznie z wymianą osprzętu.

- Upewnić się czy napięcie prądu w sieci zasilającej odpowiada wartościom podanym na tabliczce znamionowej.
- Urządzenie podłączać jedynie do gniazda zasilającego wyposażonego w uzziemia.
- Zawsze sprawdzać położenie włącznika. Urządzenie można podłączyć do zasilania jeżeli włącznik znajduje się w pozycji WYŁĄCZONY. Jeśli urządzenie zostanie podłączone do zasilania z włącznikiem w

pozycji WŁĄCZONY, urządzenie zacznie działać natychmiast co może spowodować poważny wypadek.

- W przypadku uszkodzenia przewodu należy go niezwłocznie wymienić na nowy, oryginalny dostępny u producenta. Pozwoli to uniknąć niebezpieczeństwa.
- W niskich temperaturach lub gdy urządzenie nie było używane przez dłuższy czas, należy włączyć je na pewien czas bez obciążenia.
- Ustawić szlifierkę stabilnie na płaskiej powierzchni stołu warsztatowego. Urządzenie może być przymocowane do stołu (Rys.1) lub specjalnej podstawy SBG 80 (dostarczanej oddzielnie) za pomocą śrub M10. Podstawa szlifierki stołowej SBG 80 może być przymocowana do podłoża za pomocą dwóch śrub M12 (Rys.2).

MONTAŻ



UWAGA: Zawsze wyłączać i odłączać urządzenie od zasilania przed wszelkimi regulacjami, naprawą lub konserwacją.

- Sprawdzać tarcze ściernie (4) pod kątem uszkodzeń mechanicznych.
- Sprawdzać wszystkie śruby łączące. Upewnić się czy śruby osłony tarcz są dobrze dokręcone.
- Zamontować podpórki (5) i odpowiednio je ustawić. Odległość pomiędzy podpórką (5) oraz tarczą (4) nie może przekraczać 1,6 mm. Dokręcić nakrętki (9).
- Zamontować osłonę przeciwwiskrową (3). Podczas normalnej pracy, operator musi mieć dobry widok na tarcze ściernie (4) patrząc przez osłony (2).



UWAGA: Nigdy nie używać szlifierki stołowej bez osłon tarcz oraz osłon przeciwwiskrowych.

- Po zmontowaniu urządzenia należy podłączyć do przyłącza (10) system odprowadzania.

WYMIANA TARCZ



UWAGA: Zawsze wyłączać i odłączać urządzenie od zasilania przed jakąkolwiek regulacją, serwisowaniem lub konserwacją włącznie z wymianą osprzętu.



UWAGA: Używać wyłącznie tarcz ściernych o rozmiarach i prędkości obrotowej zgodnych ze specyfikacją znajdującą się na urządzeniu.

Aby wymienić tarcze należy wykonać następujące czynności:

1. Sprawdzić nową tarczę pod kątem widocznych uszkodzeń. Następnie wprowadzić palec wskazujący w otwór tarczy i delikatnie uderzyć lekkim niemetalicznym przedmiotem (np. uchwytem śrubokręta lub pobijakiem) (Rys. 3). Wydany dźwięk powinien brzmieć czysto i dźwięcz-

nie. Uszkodzona tarcza wyda głuchy odgłos; w takim przypadku tarcza posiada wewnętrzne uszkodzenia i należy ją wyrzucić.

UWAGA: Tarcza testowana musi być sucha. Mokre tarcze wydają głuchy odgłos.



UWAGA: Nigdy nie używać uszkodzonych tarcz!

2. Zdjąć osłonę tarcz (8).
3. Trzymając mocno tarczę (4) jedną ręką, za pomocą klucza odkręcić nakrętkę oraz flanszę z wrzeciona (Rys. 4). Prosimy pamiętać, że nakrętka lewej tarczy posiada gwint lewoskrętny a prawej prawoskrętny.
4. Zdjąć starą tarczę i założyć nową.
5. Umieścić nakrętkę oraz flanszę z powrotem. Uważać aby nie przykręcić zbyt mocno. Sprawdzić czy nie nastąpiło uszkodzenie tarczy podczas montażu.
6. Zamontować i mocno dokręcić osłonę tarczy (8).
7. Włączyć urządzenie na chwile bez obciążenia aby sprawdzić czy tarcza obraca się swobodnie i jest dobrze wyważona.

WYMIANA SZCZOTEK DRUCIANYCH (MBGT 150)



UWAGA: Zawsze wyłączać i odłączać urządzenie od zasilania przed jakąkolwiek regulacją, serwisowaniem lub konserwacją włącznie z wymianą osprzętu.

Aby wymienić szczotki (11) należy wykonać następujące czynności:

1. Zdjąć osłonę szczotki (12).
2. Zdjąć nakrętkę oraz zewnętrzną flanszę. Należy pamiętać, że nakrętka posiada gwint prawoskrętny (Rys. 5)
3. Zdjąć zużytą szczotkę i założyć nową.
4. Nałożyć flanszę i dokręcić nakrętkę. Nie dokręcać nakrętki zbyt mocno.
5. Nałożyć osłonę szczotek i dokładnie dokręcić.
6. Włączyć szlifierkę stołową na kilka minut bez obciążenia i upewnić się czy szczotka obraca się swobodnie i jest dobrze wywarzona.

WYMIANA TAŚMY SZLIFERSKIEJ (MBGS 200)



UWAGA: Zawsze wyłączać i odłączać urządzenie od zasilania przed jakąkolwiek regulacją, serwisowaniem lub konserwacją włącznie z wymianą osprzętu.

1. Odciągnąć dźwignię regulacji napięcia taśmy (14) i zsunąć starą taśmę. (Rys. 6)
2. Sprawdzić czy wymieniona taśma dobrze pasuje i nie jest postrzępiona na brzegach.
3. Strzałki kierunkowe na taśmie powinny wskazywać ten sam kierunek co strzałka na osłonie taśmy szlifierskiej (16)



- Umieścić dźwignię regulacji taśmy (14) z powrotem w pozycji wyjściowej (Rys. 7)
- Podłączyć urządzenie do zasilania i włączyć. Pozwolić obracać się taśmie przez chwilę.
- Podczas obracania się taśmy, użyć pokrętki regulacji (15) aby ustawić taśmę na środku rolki. (Rys. 8)
- Powtarzać tę czynność do momentu prawidłowego ustawienia taśmy.
- Ustawić osłonę taśmy (16) w wymaganej pozycji za pomocą klucza sześciokątnego (19) (Rys. 9)
- Ustawić podpórkę (18) za pomocą dźwigni (13). (Rys. 10)

WIELKOŚĆ OBRABIANYCH PRZEDMIOTÓW

Ogólny rozmiar i waga obrabianego przedmiotu powinna pozwolić na łatwą obróbkę bez potrzeby wcześniejszego mocowania i nie powinna wpływać na naturalną postawę operatora podczas pracy.

OBSŁUGA SZLIFIERKI STOŁOWEJ

- Nie przeciążać urządzenia. Zbyt duży nacisk może spowodować przegrzanie silnika oraz przedwczesne zużycie tarczy.



UWAGA: Zbyt duży nacisk na zimną tarczę może spowodować jej pęknięcie.

- Nie używać niniejszego urządzenia niezgodnie z przeznaczeniem.
- Należy dokładnie przestrzegać powyższych instrukcji wymiany osprzętu.
- Przed rozpoczęciem pracy należy usunąć wszystkie klucze i części z urządzenia oraz jego bezpośredniej okolicy.
- Osłony przeciwwiskrowe można regulować tak aby zapewnić właściwy widok miejsca pracy i obrabianych elementów.
- Sprawdzać i regulować jeśli to konieczne położenie podpórki, tak aby odległość pomiędzy podpórkami a tarczami nie przekraczała 1,6 mm (Rys.11). Regularnie dostosowywać odległość pomiędzy tarczą oraz podpórką ze względu na zmniejszanie się średnicy tarczy podczas pracy. Zapewni to zachowanie odpowiedniego kąta przy ostrzeniu a przez to wyższą efektywność pracy. Podpórka na obrabiany przedmiot powinna być zawsze ustawiona w pozycji poziomej.
- Po włączeniu urządzenia należy zacząć aż osiągnie pełną prędkość.



UWAGA: Nigdy nie używać osprzętu ani dodatków różniących się od zalecanych w niniejszej instrukcji.



UWAGA: Nigdy nie ostrzyć ani nie szlifować przedmiotów z aluminium, mosiądzu lub miedzi.

- Podczas szlifowania, obrabiany przedmiot należy opierać na przedniej powierzchni tarczy, nie szlifować na powierzchni bocznej tarczy. Przeciążanie bocz-

nych powierzchni jest niebezpieczne i nie wolno tego robić.



UWAGA: Podczas szcztokowania, ze szcztok będą spadać cząstki obrabianego materiału oraz samych szcztok. Nie używać szlifierki bez opuszczonej osłony lub okularów ochronnych.

- Unikać zbyt mocnego dociskania podczas używania szcztok. Zbyt mocny nacisk powoduje nadmierne wyginanie i wyłamywanie się włókien szcztoki co skraca żywotność szcztoki.



UWAGA: Nigdy nie przekraczać zalecanej maksymalnej bezpiecznej prędkości obrotowej (MSFS) szcztoki.

- Nie używać zużytych, przetartych lub mocno zapylnych taśm szlifierskich.
- Nie dotykać obracającej się taśmy szlifierskiej.

WŁĄCZANIE-WYŁĄCZANIE

Włączanie: Nacisnąć przycisk START "I" włącznika (6).

Wyłączanie: Nacisnąć przycisk STOP "O" włącznika (6).

OSPRZĘT

MBG 150/175/200/250: Tarcza do szlifowania zgrubnego - 1 szt., tarcza do wygładzania -1 szt.

MBGT 150: tarcza ścierna - 1 szt., szcztotka drucziana z włóknami mosiężnymi o średnicy 0,3 mm - 1 szt.

MBGS 200: tarcza ścierna - 1 szt., taśma szlifierska - 1 szt.



UWAGA: Szlifierka stołowa może współpracować z tarczami ściernymi o innej ziarnistości z dopuszczalną maksymalną prędkością obrotową >3000 min⁻¹.

VII - Konserwacja



UWAGA: Zawsze upewnić się czy urządzenie jest wyłączone i odłączone od zasilania przed kontrolą lub konserwacją.

Niniejsze urządzenie nie wymaga szczególnej konserwacji. W przypadku gdy mimo należytej obsługi szlifierka stołowa zepsuje się, prosimy powiadomić autoryzowany serwis SPARKY w celu gwarancyjnej lub pogwarancyjnej naprawy.

OGÓLNA KONTROLA

Regularnie sprawdzać wszystkie śruby mocujące czy są poprawnie dokręcone. W celu uniknięcia zagrożenia należy zawsze dokręcać poluznione śruby.



Jeśli konieczna jest wymiana przewodu, w celu uniknięcia zagrożenia, należy ją wykonać w autoryzowanym serwisie producenta.

CZYSZCZENIE

Od czasu do czasu czyścić wrzeciono oraz osłonę (Rys.12). Zewnętrzne części można czyścić wilgotną szmatką, w razie potrzeby z delikatnym detergentem. Nigdy nie używać alkoholu, benzyny ani innych środków czyszczących. Nigdy nie używać żrących środków do czyszczenia części plastikowych.



UWAGA: Nie dopuszczać do kontaktu urządzenia z wodą.

VIII - Gwarancja

Okres gwarancji urządzeń SPARKY jest podany w karcie gwarancyjnej. Naturalne zużycie oraz uszkodzenia powstałe w wyniku przeciążenia lub niewłaściwej obsługi nie podlegają gwarancji.

Uszkodzenia wynikłe z naturalnego zużycia materiałów, przeciążenia lub niewłaściwej obsługi nie podlegają gwarancji.

Uszkodzenia wynikłe z wady materiałowej lub błędów produkcyjnych zostaną usunięte bezpłatnie w drodze naprawy lub wymiany urządzenia.

Reklamacje uszkodzonych urządzeń SPARKY zostaną rozpatrzone jeśli zostaną dostarczone w stanie w jakim stwierdzono wadę, nie rozmontowane do autoryzowanego serwisu lub punktu sprzedaży.

Informacja

Przeczytać uważnie całość niniejszej instrukcji obsługi przed użytkowaniem niniejszego sprzętu.

Narzędzia SPARKY są stale ulepszone w związku z tym otrzymany produkt może nieznacznie różnić się od tego ukazanego w niniejszej instrukcji. Producent zapewnia sobie prawo do wprowadzania zmian bez uprzedzenia.

Specyfikacja może się różnić w zależności od kraju.

Содержание

I - Введение	56
II - Технические данные	58
III - Безопасная работа	58
IV - Дополнительные правила безопасности при работе с электроточилом	60
V - Знакомство с электроинструментом	A/61
VI - Указания по работе	61
VII - Обслуживание	63
VIII - Гарантия	64

РАСПАКОВКА

В соответствии с общепринятыми технологиями производства вероятность обнаружения неисправности новоприобретенного Вами электроинструмента или нехватки какой-нибудь из его частей весьма мала. Если все-таки Вы обнаружите любое несоответствие, просим не начинать использование электроинструмента перед заменой неисправной части или устранения дефекта. Невыполнение этой рекомендации может быть причиной серьезных несчастных случаев.

КОМПЛЕКТАЦИЯ

Электроточило поставляется в упаковке, в полностью собранном виде, за исключением стоек защитных экранов и подставок для деталей.

I - Введение

Новоприобретенный Вами электроинструмент SPARKY превзойдет Ваши ожидания. Он произведен в соответствии с высокими стандартами качества SPARKY, отвечающими строгим требованиям потребителя. Его легко обслуживать и он безопасен при эксплуатации, при правильном использовании этот электроинструмент будет служить Вам долгие годы.

ПРЕДОСТЕРЕЖЕНИЕ!



Прочтите внимательно и целиком инструкцию по эксплуатации перед использованием новоприобретенного электроинструмента SPARKY. Обратите специальное внимание на параграфы, обозначенным словом **“Предостережение”**. У Вашего электроинструмента SPARKY много качеств, которые облегчают работу. При разработке этого инструмента основное внимание было направлено на безопасность, эксплуатационные качества и надежность, которые облегчают его обслуживание и эксплуатацию.



Не выбрасывайте электроинструменты вместе с бытовыми отходами!

Отходы от электрических изделий не следует собирать вместе с бытовыми отходами. Пожалуйста, рециклируйте в местах, предназначенных для этого. Свяжитесь с местными властями или представителем для консультации касательно рециклирования.



ОХРАНА ОКРУЖАЮЩЕЙ СРЕДЫ

С учетом охраны окружающей среды электроинструмент, принадлежности и упаковка должны подвергнуться подходящей переработке для повторного использования содержащегося в них сырья. Для облегчения рециклирования деталей, произведенных из искусственных материалов, они обозначены соответствующим образом.

ОПИСАНИЕ СИМВОЛОВ

На табличке с данными электроинструмента нанесены специальные символы. Они представляют собой важную информацию об использовании инструмента и его характеристиках.



Используйте защитные очки



Используйте средства защиты слуха



Используйте маску против пыли



Используйте защитные перчатки



Используйте подходящую обувь на нескользкой подошве



Не носите широкую одежду или украшения: они могут попасть в движущиеся части



Ознакомьтесь с инструкцией по эксплуатации



Соответствует релевантным европейским директивам



Соответствует требованиям немецких правил техники безопасности оборудования и изделий



Соответствует требованиям российским нормативным документам



Соответствует требованиям украинских нормативных документов



Электроприбор класса защиты I от поражения электрическим током – с защитным занулением

YYYY-Www

Период производства, где переменные символы означают:
YYYY - год производства, ww – очередная календарная неделя

MBG

ЭЛЕКТРОТОЧИЛО

II - Технические данные

Модель:		MBG 150	MBG 175	MBG 200	MBG 250	MBGT 150	MBGS 200
▪ Потребляемая мощность	W	520	520	900	900	520	900
▪ Обороты на холостом ходу	min ⁻¹	2950	2950	2950	2950	2950	2950
▪ Внешний диаметр рабочего диска	mm	150	175	200	250	150	200
▪ Диаметр соединительного отверстия	mm	32	32	32	32	32	32
▪ Толщина рабочего диска	mm	25	25	32	32	25	32
▪ Размеры щетки	mm	-	-	-	-	Ø150x20xØ32	-
▪ Площадь шлифования	mm	-	-	-	-	-	140x100
▪ Размеры ленты	mm	-	-	-	-	-	914x100
▪ Уровень звуковой нагрузки	dB (A)	82,7	82,7	84,1	84,1	82,7	84,1
▪ Уровень звуковой мощности	dB (A)	95,7	95,7	97,1	97,1	95,7	97,1
▪ Кратковременный режим работы S2	min	30	30	30	30	30	30
▪ Степень защиты		IP 20	IP 20	IP 20	IP 20	IP 20	IP 20
▪ Вес (ЕРТА процедура 11/2005)	kg	16.0	18.0	28.0	32.0	15.5	32.0
▪ Класс защиты (EN 61029 -1)		I	I	I	I	I	I

Пыль материалов, как с краски с содержанием свинца, некоторых сортов древесины, минералов и металла может быть вредной для здоровья. Прикосновение к пыли и попадание пыли в дыхательные пути может вызвать аллергические реакции и/или заболевания дыхательных путей оператора или находящегося вблизи персонала.

Определенные виды пыли, как из дуба и бука, считаются канцерогенными, особенно, совместно с присадками для обработки древесины (хромат, средство для защиты древесины). Материал с содержанием асбеста разрешается обрабатывать только специалистам.

- По возможности применяйте отсос пыли.
- Следите за хорошей вентиляцией.
- Рекомендуется пользоваться дыхательной защитной маской с фильтром класса P2.

Соблюдайте действующие в Вашей стране предписания для обрабатываемых материалов.

III - Безопасная работа



ПРЕДУПРЕЖДЕНИЕ! При использовании электроинструментов следует соблюдать перечисленные далее основные условия техники безопасности в целях снижения рисков возникновения пожара, поражения электротоком, или ранения.

Прочтите эту инструкцию перед началом работы с электроинструментом и сохраните ее на будущее.

1. Соблюдайте чистоту рабочего места
 - Беспорядок на рабочем месте может привести к инциденту.
2. Принимайте во внимание влияние окружающей среды
 - Не выставляйте электроинструменты под дождь.
 - Не используйте электроинструменты во влажной или мокрой среде.
 - Обеспечьте хорошее освещение рабочего места.
 - Не используйте электроинструменты при наличии возгораемых жидкостей или газов.
3. Берегите себя от поражения электрическим током



- Избегайте соприкосновения тела с землей или заземленной поверхностью (например: трубы, радиатор, кухонная плита, холодильник).
- 4. Держите посторонних лиц на расстоянии
 - Не допускайте посторонних лиц, не занятых работой, особенно детей, прикасаться к электроинструменту или шнуру, держите их на расстоянии от Вашей рабочей зоны.
- 5. Хранение электроинструментов
 - Электроинструменты следует хранить в сухом, закрытом месте, недоступном детям.
- 6. Не перегружайте электроинструменты
 - Правильно подобранный электроинструмент работает лучше и безопасней в рабочем режиме, для которого он спроектирован.
- 7. Используйте подходящий электроинструмент
 - Не используйте электроинструменты малой мощности для тяжелых рабочих режимов.
 - Не используйте электроинструменты для работы, для которой они не предназначены, например, не используйте циркулярную пилу для резки пней или веток.
- 8. Носите подходящую рабочую одежду
 - Не носите широкую одежду и украшения: они могут попасть в движущиеся части инструмента.
 - При работе под открытым небом следует использовать нескользкую обувь.
 - Длинные волосы следует прятать под шапку.
- 9. Используйте личные средства защиты
 - Используйте защитные очки.
 - Носите защитную маску для лица, или маску против пыли, если при работе возникает много пыли.
- 10. Подключайте улавливание пыли
 - Если электроинструмент снабжен приспособлением для улавливания пыли, убедитесь в том, что оно правильно подключено и функционирует.
- 11. Используйте шнур по назначению
 - Никогда не дергайте за шнур, чтобы вынуть штепсель из розетки. Предохраняйте шнур от источников тепла, масла, острых углов.
- 12. Закрепите обрабатываемую деталь
 - Если возможно, используйте скобы или тиски для закрепления обрабатываемой детали. Это повысит безопасность намного больше, чем если просто придерживать деталь рукой.
- 13. Не протягивайтесь
 - Сохраняйте правильную стойку и равновесие во время работы.
- 14. Заботливо храните электроинструменты
 - Поддерживайте режущие детали острыми и чистыми для улучшения и повышения безопасности работы.
 - Соблюдайте указания по смазке и смене принадлежности.
 - Периодически проверяйте шнур электроинструмента на повреждение, при необходимости ремонта обращайтесь в специализированный сервис.
 - Регулярно проверяйте удлинители, проводите их замену в случае повреждения.
 - Поддерживайте рукоятки сухими, чистыми, без следов масла и смазки.
- 15. Выключайте штепсель из электросети
 - Во время простоя не электроинструмента, до обслуживания или при замене принадлежностей (ножей, сверла или режущих деталей), отключайте электроинструмент из электросети.
- 16. Удалите регулировочные и гаечные ключи
 - Перед включением электроинструмента, создайте привычку проверять отсутствие в его зоне гаечных и регулирующих ключей.
- 17. Избегайте невольного пуска
 - Убедитесь, что выключатель находится в выключенном положении, перед тем, как да подключить электроинструмент в электросеть.
- 18. Используйте удлинители при работе на открытом воздухе
 - При работе электроинструмента на открытом воздухе используйте только маркированные удлинители, специально предназначенные для использования вне помещений.
- 19. Будьте бдительны
 - Сохраняйте во время работы повышенное внимание, проявляйте благоразумие, не используйте электроинструмент в случае усталости.
- 20. Убедитесь в отсутствии поврежденных деталей
 - Для дальнейшего использования электроинструмента проведите проверку возможностей правильной работы и функционирования, для которых он предназначен.
 - Проверьте свободное функционирование движущихся частей, отсутствие сломанных частей, правильность монтажа и прочие обстоятельства, которые могут неблагоприятно повлиять на работу электроинструмента.
 - Предохранитель или другая поврежденная часть должны быть отремонтированы или заменены в специализированном сервисе, если иное не указано в настоящей инструкции.
 - Замену поврежденных выключателей следует проводить в специализированном сервисе.
 - Не используйте электроинструмент, если выключатель не переключается.
- 21. Предупреждение!
 - Использование принадлежностей или приспособлений, различных от рекомендуемых настоящей инструкцией, может привести к инциденту.
- 22. Доверьте обслуживание Вашего электроинструмента квалифицированному специалисту по ремонту
 - Настоящий электроинструмент отвечает всем соответствующим правилам безопасности. Ремонт инструмента следует проводить только квалифицированными специалистами, с использованием оригинальных запасных частей: в противном случае возможно возникновение значительной опасности для потребителя.



IV - Дополнительные правила техники безопасности при работе с электроточилом



ПРЕДУПРЕЖДЕНИЕ: Перед тем, как подключить электроинструмент в электросеть, проверьте соответствие напряжения, указанного на табличке с техническими данными электроинструмента.

- Источник питания, работающий при напряжении, превышающем указанное на электроинструменте, может вызвать серьезное поражение электрическим током оператора или электроинструмента.
- При наличии любых сомнений, не включайте штепсель электроинструмента в контактное гнездо.
- Использование источника питания с более низким, чем обозначенное на табличке электроинструмента напряжением, повредит электродвигатель.



ПРЕДУПРЕЖДЕНИЕ: При настройке, обслуживании или ремонте, в обязательном порядке отключайте электроинструмент и вынимайте штепсель из контакта.

- Во время работы используйте средства защиты зрения, чтобы защититься от разлетающихся частиц. Носите защитные очки.
- Используйте средства защиты слуха при продолжительной работе. Интенсивный шум во время работы может повредить слух.
- Примите меры предосторожности против вдыхания пыли. Некоторые материалы могут содержать токсические компоненты. Носите защитную маску. Следует понимать вредное влияние пыли, токсичность пыли определенных материалов.
- При обработке металлических деталей возникают искры. Не допускается наличие возгораемых материалов в непосредственной близости с инструментом по причине повышенной опасности возгорания. Рекомендуется носить защитный фартук.
- После длительной работы, внешние металлические части и принадлежности могут перегреться. Не прикасайтесь к инструменту или обрабатываемой детали сразу же после работы: они могут быть слишком горячими и вызвать ожог кожи.
- Берегите руки от вращающихся частей.



ПРЕДУПРЕЖДЕНИЕ: Шлифовальные диски продолжают вращаться и после остановки инструмента.

- Берегите диски от ударов, сотрясений, соприкосновения с маслом.
- Не допускается употребление поврежденных, треснувших или деформированных дисков.
- Всегда оставляйте вставленный новый диск вращаться несколько минут на холостом ходу перед тем, как начать работу. При включении рубильника (выключателя) стойте с боковой стороны электроточила, а не перед ним.
- Каждый раз, перед началом работы, проверяйте, вращается ли диск свободно.
- Отключайте электроточило всегда, когда Вы не используете этот инструмент, не оставляйте без надзора до того, как вы выключили инструмент и вынули штепсель из розетки. Подождите, пока диски остановятся, после чего оставьте свое рабочее место.
- Перед тем, как включить электроточило, убедитесь в том, что диск не прикасается к обрабатываемой детали.
- Не используйте в работе электроточило, если предохранители и подставки вставлены или закреплены неправильно.
- Используйте электроточило только при спущенном защитном экране.
- Электроинструмент следует использовать только по предназначению. Любое другое применение, отличающееся от указанного в данной инструкции, считается неправильным применением. Ответственность за любое повреждение или ранение, вызванное неправильным употреблением, несет потребитель, а не производитель.
- Для правильной эксплуатации электроинструмента следует соблюдать правила техники безопасности, указания по монтажу, эксплуатационные инструкции, описанные в этом документе. Все лица, которые используют или обслуживают эту машину, должны быть ознакомлены с настоящей инструкцией, и информированы о возможных рисках, связанных с электроинструментом. Работа на электроинструменте запрещена детям и немощным людям. Следует держать детей под постоянным наблюдением, если они находятся в рабочей зоне. В обязательном порядке следует соблюдать правила техники безопасности, действующие в стране. Это условие касается и основных правил профессионального здравоохранения и техники безопасности.
- Производитель не несет ответственность в случае внесенных потребителем в электроинструмент изменений, или в случае повреждений, вызванных такими изменениями.



ПРЕДУПРЕЖДЕНИЕ: Использование любых принадлежностей или приспособлений, отличающихся от рекомендуемых в настоящей инструкции, может представлять риск ранения оператора.

- Электроинструмент не следует использовать под открытым небом в дождливую погоду, во влажной среде (после дождя), или вблизи от

возгораемых жидкостей и газов. Рабочее место должно быть хорошо освещено.

V – Знакомство с электроинструментом

До начала работы, ознакомьтесь со всеми оперативными особенностями электроточила и условиями техники безопасности.

Используйте электроинструмент и его принадлежности только по назначению. Любое другое приложение категорически запрещено.

1. Вращающаяся рукоятка
2. Защитный экран
3. Стойка защитного экрана
4. Диск
5. Подставка для детали
6. Выключатель (рубильник)
7. Основа
8. Предохранитель для диска
9. Регулирующая гайка
10. Наконечник для выведения пыли
11. Дискосвая щетка (MBGT 150)
12. Предохранитель для щетки (MBGT 150)
13. Регулирующий рычаг для подставки (MBGS 200)
14. Рычаг для натяжки шлифовальной ленты (MBGS 200)
15. Кнопка для правильного позиционирования шлифовальной ленты (MBGS 200)
16. Кожух шлифовальной ленты (MBGS 200)
17. Шлифовальная лента (MBGS 200)
18. Подставка для детали (MBGS 200)
19. Винт (MBGS 200)

VI - Указания по работе

Этот электроинструмент питается однофазным непостоянным током. Класс электроинструмента - класс I согласно EN 61029 -1, запрещено подключение электроинструмента к контактам без защитных клемм. Радиопомехи соответствуют директиве электромагнитной совместимости 2004/108/EC и EN 61029- 1, EN 61029-2-4, EN 55014-1, EN 55014-2, EN 61000-3-2, EN 61000-3-3.

Электроточило предназначено для шлифования, заточки и очистки: заточка всех видов инструментов, зачистка металлических поверхностей и профилей посредством шлифовальных дисков (корунд), дискосвой щетки или шлифовальной ленты.

ДО НАЧАЛА РАБОТЫ



ПРЕДУПРЕЖДЕНИЕ: Всегда отключайте электроинструмент и вынимайте штепсель из контакта до начала любой настройки или обслуживания, включительно для смены принадлежности.

- Проверьте напряжение электросети : оно должно соответствовать обозначенным на табличке техническим данным электроинструмента.
- Электроинструмент можно подключать только в розетку с дополнительной защитной клеммой.
- Проверьте, в каком положении находится переключатель. Электроинструмент следует подключать и отключать от электросети только при выключенном выключателе. Если штепсель будет включен в розетку при включенном выключателе, электроинструмент немедленно приводится в действие, что может привести к нежеланному инциденту.
- В случае повреждения кабеля питания, его следует заменить специальным кабелем или узлом, обратившись к производителю или его сервисному специалисту во избежание возможных рисков.
- При низких температурах, и после длительного простоя электроинструмента, включите его и оставьте работать известное время на холостом ходу.
- Установите электроточило стабильно на рабочем столе с равной рабочей поверхностью. Электроинструмент можно закрепить неподвижно на рабочем столе (Рис .1) или на специальной стойке SBG 80 (поставляется отдельно). Стойка для электроточила закрепляется к полу посредством двух болтов M12 mm (Рис .2).

МОНТАЖ



ПРЕДУПРЕЖДЕНИЕ: Всегда отключайте электроинструмент и вынимайте штепсель из контакта до начала любой настройки или обслуживания, включительно для смены принадлежности.

- Визуально проверьте годность дисков (4) за отсутствие механических повреждений.
- Проверьте состояние всех крепежных элементов. Проверьте, хорошо ли затянуты винты предохранителей.
- Монтируйте подставки деталей (5) и регулируйте их положение. Расстояние между подставкой (5) и диском (4) не должно превышать 1,6 мм. Пристегните регулирующие гайки (9).
- Монтируйте стойки защитных экранов (3). В нормальном рабочем положении диски (4) должны выступать через защитные экраны (2).



ПРЕДУПРЕЖДЕНИЕ: Не допускается использование инструмента без предохранителей и защитных экранов.

- После установки электроинструмента, подсоедините наконечник (10) к системе удаления пыли.

СМЕНА ДИСКА



ПРЕДУПРЕЖДЕНИЕ: Всегда отключайте электроинструмент и вынимайте штепсель из контакта до начала любой настройки или обслуживания, включительно для смены принадлежности.



ПРЕДУПРЕЖДЕНИЕ: Используйте только те диски, чей размер и периферийная скорость соответствуют техническим данным электроинструмента.

Для смены диска, выполните операции в следующей последовательности:

1. Визуально проверьте диск на наличие дефектов. После этого вставьте указательный палец в отверстие нового диска, и постучите по диску легким неметаллическим предметом (например, рукояткой отвертки или деревянным молоточком) (Рис. 3). Звук, который диск издает, должен быть тонким и звонким. Если звук глухой, это значит, что диск имеет внутренние трещины и дефекты, которые делают его негодным для употребления.

Примечание: Проверяйте только сухой диск. Влажные диски издают глухой звук.



ПРЕДУПРЕЖДЕНИЕ: Никогда не используйте поврежденные диски!

2. Демонтируйте предохранитель (8) диска.
3. Крепко придерживая диск рукой (4), открутите гайку и внешний фланец вала гаечным ключом (Рис. 4). Обратите внимание на то, что у гайки левого диска - левая резьба, а у гайки правого диска резьба правая.
4. Снимите старый и вставьте новый диск.
5. Монтируйте фланец и закрутите гайку. Не затягивайте гайку слишком сильно. Проверьте визуально наличие повреждений диска вследствие стягивания.
6. Монтируйте предохранитель (8) и хорошо закрутите.
7. Включите электроинструмент несколько минут на холостой ход для проверки свободного вращения диска и его хорошего баланса.

СМЕНА ЩЕТКИ (MBGT 150)



ПРЕДУПРЕЖДЕНИЕ: Всегда отключайте электроинструмент и вынимайте штепсель из контакта до начала любой настройки или обслуживания, включительно для смены принадлежности.

Для смены щетки (11), выполните операции в следующей последовательности:

1. Демонтируйте предохранитель (12) щетки.

2. Открутите гайку закрепления щетки и уберите внешний фланец. Обратите внимание на то, что у гайки резьба правая (Рис. 5).
3. Снимите старую и вставьте новую щетку.
4. Монтируйте фланец и закрутите гайку. Не затягивайте гайку слишком сильно.
5. Монтируйте предохранитель щетки и хорошо закрутите.
6. Включите электроинструмент несколько минут на холостой ход для проверки свободного вращения щетки и ее хорошего баланса.

СМЕНА ШЛИФОВАЛЬНОЙ ЛЕНТЫ (MBGS 200)



ПРЕДУПРЕЖДЕНИЕ: Всегда отключайте электроинструмент и вынимайте штепсель из контакта до начала любой настройки или обслуживания, включительно для смены принадлежности.

1. Сдвиньте рычаг (14) для натяжки ленты и снимите старую ленту (Рис. 6).
2. Убедитесь в том, что новая лента легко устанавливается и не изношена по краям.
3. Наденьте ленту стрелкой так, чтобы она совпала со стрелкой на кожухе ленты (16).
4. Верните рычаг (14) в исходное положение (Рис. 7).
5. Включите машину в сеть и нажмите выключатель. Прокрутите ленту в продолжение определенного времени.
6. Во время вращения ленты центрируйте ее с помощью регулятора (15) в середину ролика (Рис. 8).
7. Повторяйте эти действия до тех пор, пока лента установится в центре ролика.
8. Поставьте кожух ленты (16) в желаемое рабочее положение помощью винта с внутренним шестигранником (19) (Рис. 9).
9. Регулируйте положение подставки для детали (18) относительно ленты с помощью рычага (13) (Рис. 10).

РАЗМЕРЫ ОБРАБАТЫВАЕМОЙ ДЕТАЛИ

Габариты и вес обрабатываемой детали должны обеспечивать беспрепятственную обработку без предварительного закрепления, не нарушая при этом естественное положение (позицию) оператора при работе.

РАБОТА ЭЛЕКТРОТОЧИЛА

- Не перегружайте электроинструмент. Слишком сильный натиск может вызвать перегрев электродвигателя и преждевременное изнашивание диска.



ПРЕДУПРЕЖДЕНИЕ: Чрезмерный натиск на холодный диск может привести к его поломке.

- Не используйте электроинструмент в целях, для которых он не предназначен.



- Смену принадлежностей следует производить только при точном соблюдении указанных выше инструкций.
- Перед началом работы следует удалить любые гаечные ключи и другие детали, находящиеся в непосредственной близости к электроинструменту.
- Положение защитных экранов можно регулировать. Их необходимо настраивать таким образом, чтобы обеспечить оператору обзор рабочей зоны.
- Проверьте, и при необходимости, регулируйте положение подставок для деталей таким образом, чтобы расстояние между ними и диском не превышало 1,6 мм (Рис.11). Так как диски изнашиваются в результате употребления, регулярно проверяйте расстояние между подставками и дисками. Это обеспечит подходящий угол заточки и, в результате, повысит производительность. Подставки для детали должны всегда использоваться в горизонтальном положении.
- После включения, оставьте машину поработать на холостом ходу.



ПРЕДУПРЕЖДЕНИЕ: Не допускается использование принадлежностей или приспособлений, различных от рекомендуемых данной инструкцией.



ПРЕДУПРЕЖДЕНИЕ: Не точите или шлифуйте детали из алюминия, меди, латуни.

- При шлифовке прикладывайте деталь к передней поверхности диска, а не к его боковым поверхностям. Нагрузка боковых поверхностей диска не допустима и опасна.



ПРЕДУПРЕЖДЕНИЕ: При работе со щеткой, частицы отстраняемого материала вместе с отрывающимися проволоками самой щетки разлетаются в разные стороны с большой силой. Не работайте с электроточилом без спущенных защитных экранов и предохранительных очков.

- При работе с дисковой щеткой избегайте чрезмерного натиска. Чрезмерный нажим приводит к перегибанию и разрыву проволоки и уменьшает срок эксплуатации щетки.



ПРЕДУПРЕЖДЕНИЕ: Не превышайте максимально допустимую скорость вращения, обозначенную на щетке.

- Не используйте старые, сорванные или поврежденные шлифовальные ленты.
- Не касайтесь ленты во время работы.

ПУСК - ОСТАНОВКА

Пуск: Нажмите кнопку ПУСК "I" выключателя (6).
Остановка: Нажмите кнопку СТОП "O" выключателя (6).

ПРИНАДЛЕЖНОСТИ

MBG 150/175/200/250: Диск для грубой шлифовки - 1 шт., и диск для тонкой шлифовки - 1 шт.

MBGT 150: Диск для грубой шлифовки - 1 шт. и дисковая щетка из скрученной проволоки 0,3 мм из латуни - 1 шт.

MBGS 200: Диск для грубой шлифовки - 1 шт. и шлифовальная лента - 1 шт.



ПРЕДУПРЕЖДЕНИЕ: Возможно использование дисков с различной зернистостью с максимально допустимой скоростью > 3000 min⁻¹

VII - Обслуживание



ПРЕДУПРЕЖДЕНИЕ: До начала любой проверки или обслуживания отключайте электроинструмент и вынимайте штепсель из розетки.

Этот электроинструмент не нуждается в каком либо специальном обслуживании. Если несмотря на это возникнет неисправность, необходимо обратиться в специализированный сервис для гарантийного или послегарантийного обслуживания электроинструментов SPARKY.

ОБЩАЯ ПРОВЕРКА

Регулярно проверяйте все крепления и степень их натяжения. В случае, если какое-либо из крепежных элементов открутилось, немедленно закрутите его во избежание рискованных ситуаций.

При повреждении кабеля электропитания обратитесь к производителю или его сервисному специалисту, во избежание рисков, связанных с заменой кабеля.

УХОД

Необходимо периодически чистить предохранители и вал (Рис.12). Если корпус машины загрязнен, протрите его мягкой влажной тканью. Можно использовать слабый моющий препарат.

Не допускается применение спирта, бензина или других растворителей.

Не допускается использование бытовых химических препаратов, которые могут разъедать и повреждать пластмассовые части изделия.



ПРЕДУПРЕЖДЕНИЕ: Не допускается контакт воды с электроинструментом.



VIII - Гарантия

Гарантийный срок электроинструментов SPARKY указан в гарантийной карте.

Неисправности, появившиеся в результате естественного изнашивания, перегрузки или неправильной эксплуатации, не входят в гарантийные обязательства.

Неисправности, появившиеся вследствие применения некачественных материалов и/или из-за производственных ошибок, устраняются без дополнительной оплаты путем замены или ремонта.

Рекламации дефектного электроинструмента SPARKY принимаются в том случае, если машина будет возвращена поставщику, или специализированному гарантийному сервису в не разобранном (первоначальном) состоянии.

Замечания

Внимательно прочитайте всю инструкцию по эксплуатации перед тем, как использовать это изделие.

Производитель сохраняет за собой право вносить в свои изделия улучшения и изменения, а также изменять спецификации без предупреждения.

Спецификации для разных стран могут различаться.

Зміст

I - Введення	65
II - Технічні дані	67
III - Безпечна робота	67
IV - Додаткові правила безпеки під час використання електроточила	68
V - Ознайомлення з електроінструментом	A/69
VI - Вказівки щодо роботи	70
VII - Обслуговування	72
VIII - Гарантія	72

РОЗПАКУВАННЯ

Електроінструмент поставляється укомплектованим, у справному вигляді. У разі виявлення невідповідностей не рекомендуємо використовувати інструмент до тих пір, поки виявлений дефект не буде усунуто. Невиконання цієї рекомендації може стати причиною травми.

ЗБІРКА

Електроточило постачається в упаковці, у повністю зібраному вигляді, за винятком стійок захисних екранів і підставок для деталей.

I - Введення

Придбаний Вами електроінструмент SPARKY перевершить Ваші очікування. Він зроблений у відповідності до високих стандартів якості SPARKY, що відповідають суворим вимогам споживача. Його легко обслуговувати і він безпечний при експлуатації, при правильному використанні цей електроінструмент буде служити Вам довгі роки.



ЗАСТЕРЕЖЕННЯ!

Прочитайте уважно і цілком інструкцію з експлуатації, перед використанням новоприданого електроінструменту SPARKY. Зверніть спеціальну увагу на параграфи, позначених словом "**Застереження**". У Вашого електроінструменту SPARKY багато якостей, які полегшують роботу. При розробці цього інструменту основну увагу було направлено на безпеку, експлуатаційні якості і надійність, які полегшують його обслуговування і експлуатацію.



Не викидайте електроінструменти разом з побутовими відходами!

Відходи від електричних виробів не варто збирати разом з побутовими відходами. Будь ласка, викидайте в місцях, призначених для цього. Зв'яжіться з місцевою владою або представником для консультації щодо повторної переробки.



ОХОРОНА НАВКОЛИШНЬОГО СЕРЕДОВИЩА

З урахуванням охорони навколишнього середовища електроінструмент, приналежності й упаковки повинно надати відповідній переробці для повторного використання сировини, що міститься в них. Для полегшення повторної переробки деталей, зроблених з штучних матеріалів, вони позначені відповідним чином.

ОПИС СИМВОЛІВ

На таблиці з даними електроінструменту нанесені спеціальні символи. Вони являють собою важливу інформацію про використання інструмента і його характеристики.



Використовуйте захисні окуляри



Використовуйте засоби захисту слуху



Використовуйте маску проти пилу



Використовуйте захисні рукавички



Використовуйте відповідне взуття на неслизькій підшві



Не носіть широкий одяг або прикраси. Вони можуть потрапити у рухомі частини



Ознайомтеся з інструкцією з експлуатації



Відповідність до європейських стандартів безпеки



Відповідає вимогам німецьких правил техніки безпеки обладнання та виробів



Відповідає вимогам російських нормативних документів



Відповідає вимогам українських нормативних документів



Електроприлад класу захисту I від ураження електричним струмом – із захисним зануленням

YYYY-Www

Термін виробництва, де змінними символами є:
YYYY - рік випуску, ww – черговий календарний тиждень

MBG

ЕЛЕКТРОТОЧИЛО

II - Технічні дані

Модель:		MBG 150	MBG 175	MBG 200	MBG 250	MBGT 150	MBGS 200
▪ Споживана потужність	W	520	520	900	900	520	900
▪ Оберти на неробочому ході	min ⁻¹	2950	2950	2950	2950	2950	2950
▪ Зовнішній діаметр робочого диска	mm	150	175	200	250	150	200
▪ Діаметр з'єднувального отвору	mm	32	32	32	32	32	32
▪ Товщина робочого диска	mm	25	25	32	32	25	32
▪ Розміри щітки		-	-	-	-	Ø150x20xØ32	-
▪ Площа шліфування	mm	-	-	-	-	-	140x100
▪ Розміри стрічки	mm	-	-	-	-	-	914x100
▪ Рівень звукового навантаження	dB (A)	82,7	82,7	84,1	84,1	82,7	84,1
▪ Рівень звукової потужності	dB (A)	95,7	95,7	97,1	97,1	95,7	97,1
▪ Короткочасний режим роботи S2	min	30	30	30	30	30	30
▪ Ступінь захисту		IP 20	IP 20	IP 20	IP 20	IP 20	IP 20
▪ Вага (ЕРТА процедура 01/2005)	kg	16.0	18.0	28.0	32.0	15.5	32.0
▪ Клас захисту (EN 61029-1)		I	I	I	I	I	I

Прахът, отделяя при обработването на материали като оловосъдържащи бои, някои видове дървесина, минерали и метали, може да бъде опасен за здравето. Допирът или вдишването на праха може да предизвика алергични реакции и/или заболявания на дихателните пътища на оператора или на намиращи се в близост лица.

Някои видове прах, например от дъб или бук, се считат за канцерогенни, особено в комбинация с добавки за обработка на дървесина (хромат, консерванти). Материал, който съдържа азбест, трябва да се обработва само от специалисти.

- Когато това е възможно, използвайте прахоотвеждане.
- Осигурете добра вентилация на работното място.
- Препоръчва се използването на защитна маска за прах с филтър клас P2.

Спазвайте действащите във вашата страна разпоредби за обработване на съответните материали.

III - Безпечна работа



ПОПЕРЕДЖЕННЯ! Ознайте се з усіма попередженнями та вказівками з техніки безпеки. Недотримання попереджень і вказівок з техніки безпеки може призвести до ураження електричним струмом, пожежі та / або серйозного поранення.

Зберігайте всі попередження і вказівки для майбутнього користування.

1. Дотримуйтесь чистоти робочого місця
 - Безлад на робочому місці може призвести до інциденту нещасного випадку.
2. Приймайте до уваги вплив навколишнього середовища
 - Не виставляйте електроінструменти під дощем.
 - Не використовуйте електроінструменти у вологому або мокрому середовищі.
 - Забезпечте гарне освітлення робочого місця.

- Не використовуйте електроінструменти у разі наявності займистих рідин або газів.
3. Бережіть себе від ураження електричним струмом
 - Уникайте контакту тіла з землею чи заземленою поверхнею (наприклад: труби, радіатор, кухонна плита, холодильник).
 4. Тримайте сторонніх осіб на відстані
 - Не допускайте сторонніх осіб, що не зайняті роботою, особливо дітей, торкатися до електроінструменту або шнуру, тримайте їх на відстані від Вашої робочої зони.
 5. Зберігання електроінструментів
 - Електроінструменти слід зберігати у сухому, закритому місці, недоступному для дітей.
 6. Не перевантажуйте електроінструменти
 - Правильно підібраний електроінструмент працює краще і безпечніше у робочому режимі, для якого він спроектований.
 7. Використовуйте відповідний електроінструмент
 - Не використовуйте електроінструменти малої



- потужності для важких робочих режимів.
- Не використовуйте електроінструменти для роботи, для якої вони не призначені, наприклад, не використовуйте циркулярну пилку для різання пнів або гілок.
8. Носіть належний робочий одяг
 - Не носіть широкий одяг або прикраси. Вони можуть потрапити у рухоми частини інструменту.
 - Під час роботи під відкритим небом слід використовувати неслизьке взуття.
 - Довге волосся слід ховати під шапку.
 9. Використовуйте особисті засоби захисту
 - Використовуйте захисні окуляри.
 - Носіть захисну маску для обличчя, або маску проти пилу, якщо під час роботи виникає багато пилу.
 10. Підключайте уловлювач пилу
 - Якщо електроінструмент забезпечений пристосуванням для уловлювання пилу, переконайтеся у тому, що воно правильно підключено і функціонує.
 11. Використовуйте шнур за призначенням
 - Ніколи не смикайте за шнур, щоб вийняти штепсель із розетки. Захищайте шнур від джерел тепла, мастила, гострих кутів.
 12. Закріпіть оброблювану деталь
 - Якщо можливо, використовуйте скоби або лещата для закріплення оброблюваної деталі. Це підвищить безпеку набагато більше, ніж якщо просто притримувати деталь рукою.
 13. Не нахиляйтеся
 - Зберігайте правильне положення тіла і рівновагу під час роботи.
 14. Дбайливо зберігайте електроінструменти
 - Підтримуйте ріжучі деталі гострими і чистими для поліпшення і підвищення безпеки праці.
 - Дотримуйтеся вказівки щодо мастила і зміни приладдя.
 - Періодично перевіряйте шнур електроінструменту на пошкодження, у разі необхідності ремонту звертайтеся до спеціалізованого сервісу.
 - Регулярно перевіряйте подовжувачі, проводіть їх заміну у разі пошкодження.
 - Підтримуйте рукоятки сухими, чистими, без слідів оліфи і мастила.
 15. Вимикайте штепсель із електромережі
 - Під час простою електроінструменту, до обслуговування або у разі заміни приладдя (ножів, свердел або ріжучих деталей), відключайте електроінструмент з електромережі.
 16. Видаліть регулювальні і гайкові ключі
 - Перед увімкненням електроприладу, перевіряйте відсутність у його зоні гайкових і регулюючих ключів.
 17. Уникайте мимовільного пуску
 - Переконайтеся, що вимикач знаходиться у вимкненому положенні, перед тим, як підключити електроінструмент в електромережу.
 18. Використовуйте подовжувачі під час роботи на відкритому повітрі
 - Під час роботи електроінструменту на відкритому повітрі використовуйте тільки марковані подовжувачі, спеціально призначені для використання поза приміщеннями.

19. Будьте пильні
 - Зберігайте під час роботи підвищену увагу, проявляйте розсудливість, не використовуйте електроінструмент у разі втоми.
20. Переконайтеся у відсутності пошкоджених деталей
 - Для подальшого використання електроінструменту проведіть перевірку можливостей правильної роботи і функціонування, для яких він призначений.
 - Перевірте вільне функціонування рухомих частин, відсутність зламаних частин, правильність монтажу та інші обставини, які можуть несприятливо вплинути на роботу електроінструмента.
 - Запобіжник або інша пошкоджена частина повинні бути відремонтовані або замінені у спеціалізованому сервісі, якщо інше не зазначено у цій інструкції.
 - Заміну пошкоджених вимикачів слід проводити у спеціалізованому сервісі.
 - Не використовуйте електроінструмент, якщо вимикач не перемикається.
21. Попередження!
 - Використання приладдя або пристосувань, відмінних від рекомендованих цією інструкцією, може призвести до нещасного випадку.
22. Довірте обслуговування Вашого електроінструменту кваліфікованому спеціалісту по ремонту
 - Справжній електроінструмент відповідає всім відповідним правилам безпеки. Ремонт інструменту слід проводити тільки кваліфікованим спеціалістам, з використанням оригінальних запасних частин: в іншому випадку можливе виникнення значної небезпеки для споживача.

IV - Додаткові правила техніки безпеки під час роботи з електроточилом



ПОПЕРЕДЖЕННЯ: Перед тим, як підключити електроінструмент в електромережу, перевірте відповідність напруги, зазначеного на таблиці з технічними даними електроінструменту.

- Джерело живлення, що працює за напруги, що перевищує зазначену на електроінструменті, може призвести до серйозного ураження електричним струмом оператора або пошкодження електроінструменту.
- У разі будь-яких сумнівів, не вставляйте штепсель електроінструменту у контактне гніздо.
- Використання джерела живлення з більшою напругою, ніж позначена на таблиці електроінструменту, зашкодить електродвигуну.





ПОПЕРЕДЖЕННЯ: Під час налаштування, обслуговування або ремонту, в обов'язковому порядку вимикайте електроінструмент та виймайте штепсель з контакту.

- Під час роботи використовуйте засоби захисту зору, щоб захиститися від частинок, що розлітаються. Носіть захисні окуляри.
- Використовуйте засоби захисту слуху під час тривалої роботи. Інтенсивний шум під час роботи може пошкодити слух.
- Вживайте запобіжних заходів проти вдихання пилу. Деякі матеріали можуть містити токсичні компоненти. Носіть захисну маску. Необхідно розуміти шкідливий вплив пилу і токсичність пилу певних матеріалів.
- Під час обробки металевих деталей виникають іскри. Не допускається наявність займистих матеріалів у безпосередній близькості з інструментом через підвищену небезпеку спалаху. Рекомендується носити захисний фартух.
- Після тривалої роботи, зовнішні металеві частини та приладдя можуть перегрітися. Не торкайтеся інструмента або оброблюваної деталі відразу ж після роботи: вони можуть бути дуже гарячими і викликати опік шкіри.
- Бережіть руки від частин, що обертаються.



ПОПЕРЕДЖЕННЯ: Шліфувальні диски продовжують обертатися і після зупинки інструмента.

- Бережіть диски від ударів, струсів, зіткнення з оліфою.
- Не допускається використання пошкоджених, тріснутих або деформованих дисків.
- Завжди залишайте вставлений новий диск обертатися кілька хвилин на неробочому ходу перед тим, як почати роботу. Під час увімкнення рубильника (вимикача) стійте з бокової сторони електроточила, а не перед ним.
- Кожен раз, перед початком роботи, перевіряйте, чи вільно обертається диск.
- Вимикайте електроточило завжди, коли Ви не використовуєте цей інструмент, не залишайте без нагляду до того, як ви вимкнули інструмент і вийняли штепсель із розетки. Зачекайте, поки диски не зупиняться, після чого залиште своє робоче місце.
- Перед тим, як увімкнути електроточило, переконайтеся у тому, що диск не торкається оброблюваної деталі.
- Не використовуйте у роботі електроточило, якщо запобіжники та підставки вставлені або закріплені неправильно.
- Використовуйте електроточило тільки у разі спущеного захисного екрана.
- Електроінструмент слід використовувати тільки за призначенням. Будь-яке інше застосування, що відрізняється від зазначеного у даній інструкції, вважається неправильним застосуванням. Відповідальність за будь-яке пошкодження або

поранення, викликане неправильним застосуванням, несе споживач, а не виробник.

- Для правильної експлуатації електроінструмента слід дотримуватися правил техніки безпеки, вказівок з монтажу, експлуатаційних інструкцій, описаних у цьому документі. Всі особи, які використовують або обслуговують цю машину, повинні бути ознайомлені з цією інструкцією, і поінформовані про можливі ризики, пов'язані з електроінструментом. Заборонено працювати з електроінструментом дітям і немічним людям. Слід тримати дітей під постійним наглядом, якщо вони знаходяться у робочій зоні. В обов'язковому порядку слід дотримуватися правил техніки безпеки, що діють у країні. Ця умова стосується й основних правил професійної охорони здоров'я і техніки безпеки.
- Виробник не несе відповідальність у разі внесених споживачем в електроінструмент змін, або у разі пошкодження, викликаних такими змінами.



ПОПЕРЕДЖЕННЯ: Використання будь-яких речей або аксесуарів, що відрізняються від рекомендованих в цій інструкції, може становити ризик поранення оператора.

Електроінструмент не слід використовувати під відкритим небом у дощову погоду, у вологому середовищі (після дощу), або поблизу від займистих рідин і газів. Робоче місце має бути добре освітлене.

V - Ознайомлення з електроінструментом

До початку роботи, ознайомтеся з усіма оперативними особливостями електроточила та умовами техніки безпеки.

Використовуйте електроінструмент і приладдя тільки за призначенням. Будь-яке інше застосування категорично заборонене.

1. Рукоятки, що обертається
2. Захисний екран
3. Стійка захисного екрана
4. Диск
5. Підставка для деталей
6. Вимикач (рубильник)
7. Основа
8. Запобіжник для відрізного диску
9. Регулювальна гайка
10. Наконечник для виведення пилу
11. Дискава щітка (MBGT 150)
12. Запобіжник для щітки (MBGT 150)
13. Регулюючий важіль для підставки (MBGS 200)
14. Важіль для натягування шліфувальної стрічки (MBGS 200)
15. Кнопка для правильного позиціонування шліфувальної стрічки (MBGS 200)
16. Кожух шліфувальної стрічки (MBGS 200)
17. Шліфувальна стрічка (MBGS 200)
18. Підставка для деталі (MBGS 200)
19. Гвинт (MBGS 200)

VI - Вказівки щодо роботи

Цей електроінструмент живиться однофазним непостійним струмом. Клас електроінструмента - клас I згідно EN 61029 -1, заборонено підключення електроінструменту до контактів без захисних клем. Радіоперешкоди відповідають Директиві електромагнітної сумісності 2004/108/ЄС й EN 61029-1, EN 61029-2-4, EN 55014-1, EN 55014-2, EN 61000-3-2, EN 61000-3-3.

Електроточило призначене для шліфування, заточування й очищення: заточка всіх видів інструментів, зачистка металевих поверхонь і профілів за допомогою шліфувальних дисків (корунд), дискової щітки або шліфувальної стрічки.

ДО ПОЧАТКУ РОБОТИ



ПОПЕРЕДЖЕННЯ: Завжди вимикайте електроінструмент та виймайте штепсель з контакту перед здійсненням будь-якого налаштування або обслуговування, у тому числі і заміною приладдя.

- Перевірте напругу електромережі: вона повинна відповідати позначеним на таблиці технічним даним електроінструменту.
- Електроінструмент можна підключати тільки у розетку з додатковою захисною клемою.
- Перевірте, в якому положенні знаходиться перемикач. Електроінструмент слід підключати та відключати від електромережі тільки, коли вимикач вимкнено. Якщо штепсель буде включений у розетку при увімкненому вимикачі, електроінструмент негайно приводиться у дію, що може призвести до небажаного інциденту.
- У разі пошкодження кабелю живлення, його слід замінити спеціальним кабелем або вузлом, звернувшись до виробника або його сервісного спеціаліста, щоб уникнути можливих ризиків.
- За низьких температур, і після тривалого простою електроінструменту, увімкніть його та залиште працювати певний час на холостому ходу.
- Встановіть електроточило стабільно на робочому столі з рівною робочою поверхнею. Електроінструмент можна закріпити нерухомо на робочому столі (Рис. 1) або на спеціальній стійці SBG 80 (постачається окремо). Стійка для електроточила закріплюється до підлоги за допомогою двох болтів M12 mm (Рис. 2).

МОНТАЖ



ПОПЕРЕДЖЕННЯ: Завжди вимикайте електроінструмент та виймайте штепсель з контакту перед здійсненням будь-якого налаштування або обслуговування, у тому числі і заміною приладдя.

- Візуально перевірте придатність дисків (4) щодо

відсутності механічних пошкоджень.

- Перевірте стан всіх кріпильних елементів. Перевірте, чи добре затягнуті гвинти запобіжників.
- Монтуйте підставки деталей (5) і регулюйте їх положення. Відстань між підставкою (5) і диском (4) не повинна перевищувати 1,6 mm. Закрутіть регулюючі гайки (9).
- Монтуйте стійки захисних екранів (3). У нормальному робочому положенні диски (4) повинні виступати через захисні екрани (2).



ПОПЕРЕДЖЕННЯ: Не допускається використання інструменту без запобіжників і захисних екранів.

- Після встановлення електроінструменту, підключіть наконечник (10) до системи видалення пилю.

ЗАМІНА ДИСКА



ПОПЕРЕДЖЕННЯ: Завжди вимикайте електроінструмент та виймайте штепсель з контакту перед здійсненням будь-якого налаштування або обслуговування, у тому числі і заміною приладдя.



ПОПЕРЕДЖЕННЯ: Використовуйте лише ті диски, чий розмір та периферійна швидкість відповідають технічним даним електроточила.

Для зміни диска, виконайте операції у такій послідовності:

1. Візуально перевірте диск на наявність дефектів. Після цього вставте вказівний палець в отвір нового диска, і постукайте по диску легким неметалевим предметом (наприклад, рукояткою викрутки або дерев'яним молоточком) (Рис. 3). Звук, який диск видає, повинен бути тонким і дзвінким. Якщо диск глухий, це означає, що диск має внутрішні тріщини і дефекти, які роблять його непридатним для використання.

Примітка: Перевіряйте тільки сухий диск. Вологі диски мають глухий звук.



ПОПЕРЕДЖЕННЯ: Ніколи не використовуйте пошкоджені диски!

2. Демонтуйте запобіжник (8) диска.
3. Міцно притримуючи диск рукою (4), відкрутіть гайку і зовнішній фланець вала гайковим ключем (Рис. 4). Зверніть увагу на те, що у гайки лівого диска - ліва різьба, а у гайки правого диска різьба - права.
4. Зніміть старий і вставте новий диск.
5. Монтуйте фланець і закрутіть гайку. Не затягуйте гайку занадто сильно. Перевірте візуально наявність пошкоджень диска внаслідок стягування.
6. Монтуйте запобіжник (8) і добре закрутіть.

7. Увімкніть електроточило на кілька хвилин на неробочому ході для перевірки вільного обертання диска і його гарного балансу.

ЗАМІНА ЩІТКИ (MBGT 150)



ПОПЕРЕДЖЕННЯ: Завжди вимикайте електроінструмент та виймайте штепсель з контакту перед здійсненням будь-якого налаштування або обслуговування, у тому числі і заміною приладдя.

Для зміни щітки (11), виконайте операції у такій послідовності:

1. Демонтуйте запобіжник (12) щітки.
2. Відкрутіть гайку закріплення щітки й усуньте зовнішній фланець. Зверніть увагу на те, що у гайки різьблення праве (Рис. 5).
3. Зніміть стару і вставте нову щітку.
4. Монтуйте фланець і закрутіть гайку. Не затягуйте гайку занадто сильно.
5. Монтуйте запобіжник щітки і добре закрутіть.
6. Увімкніть електроточило на кілька хвилин на неробочому ході для перевірки вільного обертання щітки та її гарного балансу.

ЗАМІНА ШЛІФУВАЛЬНІ СТРИЧКИ (MBGS 200)



ПОПЕРЕДЖЕННЯ: Завжди вимикайте електроінструмент та виймайте штепсель з контакту перед здійсненням будь-якого налаштування або обслуговування, у тому числі і заміною приладдя.

1. Перемістіть важіль (14) для натягування стрічки і зніміть стару стрічку (Рис.6).
2. Переконайтеся у тому, що нова стрічка легко встановлюється і не зношена по краях.
3. Надіньте стрічку стрілкою так, щоб вона співпадала з стрілкою на кожусі стрічки (16).
4. Поверніть важіль (14) у вихідне положення (Рис. 7).
5. Увімкніть машину у мережу і натисніть вимикач. Прокрутіть стрічку протягом певного часу.
6. Під час обертання стрічки відцентруйте її за допомогою регулятора (15) у середину ролика (Рис. 8).
7. Повторюйте ці дії до тих пір, поки стрічка не стане в центрі ролика.
8. Поставте кожух стрічки (16) у бажане робоче положення за допомогою гвинта з внутрішнім шестигранником (19) (Рис. 9).
9. Регулюйте положення підставки для деталі (18) відносно стрічки за допомогою важеля (13) (Рис.10).

РОЗМІРИ ОБРОБЛЮВАНОЇ ДЕТАЛІ

Габарити і вага оброблюваної деталі повинні забезпечувати безперешкодну обробку без попереднього закріплення, не порушуючи при цьому природне положення (позицію) оператора під час роботи.

РОБОТА ЕЛЕКТРОТОЧИЛА

- Не перевантажуйте електроінструмент. Занадто сильний натиск може викликати перегрів електродвигуна і передчасне зношування диска.



ПОПЕРЕДЖЕННЯ: Надмірний натиск на холодний диск може призвести до його поломки.

- Не використовуйте електроінструмент у цілях, для яких він не призначений.
- Зміну приладдя слід проводити тільки у разі точного дотримання зазначених вище інструкцій.
- Перед початком роботи слід видалити будь-які гайкові ключі й інші деталі, що знаходяться у безпосередній близькості до електроінструменту.
- Положення захисних екранів можна регулювати. Їх необхідно налаштувати таким чином, щоб забезпечити оператору огляд робочої зони.
- Перевірте, і за необхідності, відрегулюйте положення підставок для деталей таким чином, щоб відстань між ними і диском не перевищувала 1,6 mm (Рис. 11). Так як диски зношуються у результаті використання, регулярно перевіряйте відстань між підставками і дисками. Це забезпечить відповідний кут заточки і, у результаті, підвищить продуктивність. Підставки для деталі повинні завжди використовуватися у горизонтальному положенні.
- Після увімкнення, залиште машину попрацювати на неробочому ході.



ПОПЕРЕДЖЕННЯ: Не допускається використання приладдя або пристосувань, відмінних від рекомендованих даною інструкцією.



ПОПЕРЕДЖЕННЯ: Не точіть та не шліфуйте деталі з алюмінію, міді, латуні.

- Під час шліфування прикладайте деталь до передньої поверхні диска, а не до його бічних поверхонь. Навантаження бічних поверхонь диска не припустиме і небезпечне.



ПОПЕРЕДЖЕННЯ: Під час роботи зі щіткою, частки матеріалу, що видаляється, разом з відриваючимися дротами самої щітки розлітаються у різні боки з великою силою. Не працюйте з електроточилом без опущених захисних екранів і захисних окулярів.

- Під час роботи з дисковою щіткою уникайте надмірного натиску. Надмірний натиск призводить до перегрівання і розриву дроту і зменшує термін експлуатації щітки.



ПОПЕРЕДЖЕННЯ: Не перевищуйте максимального допустимого швидкості обертання, позначену на щітці.

- Не використовуйте старі, зірвані або пошкоджені шліфувальні стрічки.
- Не торкайтеся стрічки під час роботи.

ПУСК - ЗУПИНКА

Пуск: Натисніть кнопку ПУСК «I» вимикача (6).

Зупинка: Натисніть кнопку СТОП «O» вимикача (6).

ПРИЛАДДЯ

MBG 150/175/200/250: Диск для грубого шліфування - 1 шт., і диск для тонкого шліфування - 1 шт.

MBGT 150: Диск для грубого шліфування - 1 шт. і дискова щітка зі скрученого дроту 0,3 mm з латуні - 1 шт.

MBGS 200: Диск для грубого шліфування - 1 шт. і шліфувальна стрічка - 1 шт.



ПОПЕРЕДЖЕННЯ: Можливе використання дисків з різною зернистістю з максимально допустимою швидкістю > 3000 min⁻¹

VII - Обслуговування



ПОПЕРЕДЖЕННЯ: Перед початком будь-якої перевірки або обслуговування відключайте електроінструмент та вийміть штепсель з розетки

Цей електроінструмент не потребує будь-якого спеціального обслуговування. Якщо незважаючи на це виникне несправність, необхідно звернутися у спеціалізований сервіс для гарантійного або позагарантійного обслуговування електроінструментів SPARKY.

ЗАГАЛЬНА ПЕРЕВІРКА

Регулярно перевіряйте всі кріплення і ступінь їх напруження. У випадку, якщо будь-який з кріпильних елементів відкрутився, негайно закрутіть його, щоб уникнути ризикових ситуацій.

У разі пошкодження кабелю електроживлення зверніться до виробника або його сервісного фахівця, щоб уникнути ризиків, пов'язаних із заміною кабелю.

ДОГЛЯД

Необхідно періодично чистити запобіжники і вал (Рис.12). Якщо корпус машини забруднений, протріть його м'якою вологою тканиною. Можна використовувати слабкий миючий засіб.

Не допускається застосування спирту, бензину або інших розчинників.

Не допускається використання побутових хімічних

препаратів, які можуть роз'їдати і пошкоджувати пластмасові частини виробу.



ПОПЕРЕДЖЕННЯ: Не допускається контакт води з електроінструментом.

VIII - Гарантія

Гарантійний термін електроприладів SPARKY вказаний в гарантійній карті

Несправності, що з'явилися в результаті природного зношування, перевантаження або неправильного користування, не входять до гарантійних зобов'язань.

Несправності, що з'явилися внаслідок застосування неякісних матеріалів та / або через виробничі помилки, усуваються без додаткової оплати шляхом заміни або ремонту.

Рекламації дефектного електроприладу SPARKY приймаються у тому випадку, якщо прилад буде повернуто постачальнику, або спеціалізованому гарантійного сервісу в не розібраному (початковому) стані.

Примітки

Уважно прочитайте всю інструкцію з експлуатації, перед тим, як приступити до використання виробу.

Виробник зберігає за собою право вносити у свої вироби поліпшення і зміни, а також змінювати специфікації без застереження.

Специфікації для різних країн можуть відрізнятися.



Съдържание

I - Въведение	73
II - Технически данни	75
III - Безопасна работа	75
IV - Допълнителни правила за безопасност при работа с шмиргел	76
V - Запознаване с електроинструмента	A/77
VI - Указания за работа	78
VII - Поддръжка	80
VIII - Гаранция	80

РАЗОПАКОВАНЕ

В съответствие с общоприетите технологии на едросерийно производство е малко вероятно Вашият електроинструмент да бъде неизправен или някоя от частите му да липсва. Ако забележите, че нещо не е наред, не работете с електроинструмента, докато повредената част не бъде заменена или неизправността не бъде отстранена. Неспазването на тази препоръка може да доведе до сериозна трудова злополука.

СГЛОБЯВАНЕ

Шмиргелът се доставя опакован и напълно сглобен с изключение на стойките за защитни екрани и поставките за детайли.

I - Въведение

Новопридобитият от Вас електроинструмент SPARKY ще надхвърли Вашите очаквания. Той е произведен в съответствие с високите стандарти на качеството на SPARKY, отговарящи на строгите изисквания на потребителя. Лесен за обслужване и безопасен при експлоатация, при правилна употреба този електроинструмент ще Ви служи надеждно дълги години.



ПРЕДУПРЕЖДЕНИЕ!

Внимателно прочетете цялата инструкция за експлоатация преди да използвате новопридобития си електроинструмент SPARKY. Обърнете специално внимание на текстовете, които започват с думата “Предупреждение”. Вашият електроинструмент SPARKY притежава много качества, които ще улеснят Вашата работа. При разработката на този електроинструмент най-голямо внимание е обрнато на безопасността, експлоатационните качества и надеждността, които го правят лесен за поддръжка и експлоатация.



Не изхвърляйте електроинструменти заедно с битовите отпадъци!

Отпадъците от електрически изделия не трябва да се събират заедно с битовите отпадъци. Моля, рециклирайте на местата, предназначени за това. Свържете се с местните власти или представител за консултация относно рециклирането.

ОПАЗВАНЕ НА ОКОЛНАТА СРЕДА



С оглед опазване на околната среда електроинструментът, принадлежностите и опаковката трябва да бъдат подложени на подходяща преработка за повторно използване на съдържащите се в тях суровини. За облекчаване на рециклирането детайлите, произведени от изкуствени материали, са обозначени по съответния начин.



ОПИСАНИЕ НА СИМВОЛИТЕ

На табелката с технически данни върху електроинструмента са изобразени символи. Те представляват важна информация за изделието или указания за неговата употреба.



Използвайте предпазни очила



Използвайте средства за защита на слуха



Използвайте прахозащитна маска



Използвайте защитни ръкавици



Използвайте здрави обувки с неплъзгащи се подметки



Не носете широки дрехи или накити, те могат да бъдат захванати от подвижните части



Запознайте се с инструкцията за експлоатация



Съответства на приложимите европейски директиви.



Съответства на изискванията на немската наредба за безопасност на оборудване и изделия



Съответства на изискванията на руските нормативни документи



Съответства на изискванията на украинските нормативни документи



Електроуред с клас I на защита от електрически ток – със защитно зануляване

YYYY-Www

Период на производство, където променливи символи са:
YYYY - година на производство, ww - поредна календарна седмица

MBG

ШМИРГЕЛ

II - Технически данни

Модел:		MBG 150	MBG 175	MBG 200	MBG 250	MBGT 150	MBGS 200
• Консумирана мощност	W	520	520	900	900	520	900
• Обороти на празен ход	min ⁻¹	2950	2950	2950	2950	2950	2950
• Външен диаметър на работния диск	mm	150	175	200	250	150	200
• Диаметър на присъединителния отвор на работния диск	mm	32	32	32	32	32	32
• Дебелина на работния диск	mm	25	25	32	32	25	32
• Размери на четката	-	-	-	-	-	Ø150x20xØ32	-
• Шлифовъчна площ на лентата	mm	-	-	-	-	-	140x100
• Размери на лентата	mm	-	-	-	-	-	914x100
• Ниво на звуково налягане	dB (A)	82,7	82,7	84,1	84,1	82,7	84,1
• Ниво на звукова мощност	dB (A)	95,7	95,7	97,1	97,1	95,7	97,1
• Кратковременен режим на работа S2	min	30	30	30	30	30	30
• Степен на защита		IP 20	IP 20	IP 20	IP 20	IP 20	IP 20
• Тегло (ЕРТА процедура 11/2005)	kg	16.0	18.0	28.0	32.0	15.5	32.0
• Клас на защита (EN 61029 -1) Ⓢ		I	I	I	I	I	I

Прахът, отделян при обработването на материали като оловосъдържащи бои, някои видове дървесина, минерали и метали, може да бъде опасен за здравето. Допирът или вдишването на праха може да предизвика алергични реакции и/или заболявания на дихателните пътища на оператора или на намиращи се в близост лица.

Някои видове прах, например от дъб или бук, се считат за канцерогенни, особено в комбинация с добавки за обработка на дървесина (хромат, консерванти). Материал, който съдържа азбест, трябва да се обработва само от специалисти.

- Когато това е възможно, използвайте прахоотвеждане.
- Осигурете добра вентилация на работното място.
- Препоръчва се използването на защитна маска за прах с филтър клас P2.

Спазвайте действащите във вашата страна разпоредби за обработване на съответните материали.

III - Безопасна работа



ПРЕДУПРЕЖДЕНИЕ! При използване на електроинструменти трябва да се спазват някои основни мерки за безопасност с оглед намаляване риска от пожар, поражение от електрически ток и нараняване, които са изброени по-долу.

Прочетете тази инструкция преди да пристъпите към работа с електроинструмента и я запазете.

1. Поддържайте чисто работното място
 - Безпорядъкът на работното място може да предизвика злополука.
2. Съобразявайте се с влиянието на околната среда
 - Не излагайте електроинструментите на дъжд.
 - Не използвайте електроинструментите във влажна или мокра среда.
 - Осигурете добро осветление на работното място.
 - Не използвайте електроинструментите при наличие на възпламеними течности или газове.
3. Пазете се от поражение от електрически ток

- Избягвайте допир на тялото до земя или до заземени повърхности (например тръби, радиатори, кухненски печки, хладилници).
4. Дръжте страничните лица на разстояние
 - Не допускате странични лица, които не са заети с работата, особено деца, да се допират до електроинструмента или шнура и ги дръжте далече от работното място.
 5. Съхранявайте електроинструментите
 - Когато не се използват, електроинструментите трябва да се съхраняват в сухо, затворено място, недостъпно за деца.
 6. Не претоварвайте електроинструментите
 - Правилно избраният електроинструмент работи по-добре и по-безопасно при обявения режим на работа, за който е проектиран.
 7. Използвайте подходящ електроинструмент
 - Не използвайте електроинструменти с малка мощност за тежки режими на работа.
 - Не използвайте електроинструменти за работа, за която не са предназначени, например не използвайте циркулярен трион за рязане на дънери или клони.
 8. Носете подходящо работно облекло
 - Не носете широки дрехи или бижута, те могат да бъдат захванати от движещите се части.
 - Препоръчват се неплъзгащи обувки, когато се



- работи на открито.
- Дългата коса трябва да се прихваща под шапка.
9. Използвайте лични предпазни средства
 - Използвайте защитни очила.
 - Носете защитна маска на лицето или маска срещу прах, ако работните операции създават прах.
 10. Свързвайте прахоотвеждането
 - Ако електроинструментът е снабден с приспособления за засмукване и улавяне на прах, убедете се, че те са свързани и правилно използвани.
 11. Използвайте шнура по предназначение
 - Никога не дърпайте шнура, за да извадите щепсела от контакта. Дръжте шнура далече от топлина, масло и остри ръбове.
 12. Закрепете обработвания детайл
 - Когато е възможно използвайте скоби или менге за закрепване на обработвания детайл. Това е по-сигурно, отколкото да придържате детайла с ръка.
 13. Не се пресягайте
 - Поддържайте правилен строеж и равновесие през цялото време.
 14. Поддържайте грижливо електроинструмента
 - Поддържайте режещите инструменти остри и чисти за по-добра и безопасна работа.
 - Съблюдавайте указанията за смазване и за смяна на принадлежности.
 - Периодично проверявайте шнура на електроинструмента и ако е повреден, се отнесете към оторизиран сервиз за ремонт.
 - Редовно проверявайте удължителите и ги заменяйте ако са повредени.
 - Поддържайте ръкохватките сухи, чисти и без следи от масло и грес.
 15. Разединете щепсела от захранващата мрежа
 - Когато не работите с електроинструмента, преди поддръжка или при замяна на принадлежности (ножове, свредла или режещи инструменти), изключвайте електроинструмента от захранващата мрежа.
 16. Отстранете ключовете за регулиране и гаечните ключове
 - Създайте си навика да проверявате дали ключовете за регулиране и гаечните ключове са отстранени от електроинструмента, преди да го включите.
 17. Избягвайте неволно пускане
 - Убедете се, че прекъсвачът е в изключено положение преди да присъедините електроинструмента към захранващата мрежа.
 18. Използвайте удължители за работа на открито
 - При работа с електроинструмента на открито използвайте само удължители, които са маркирани и предназначени за използване на открито.
 19. Бъдете бдителни
 - Работете с повишено внимание, проявявайте благоразумие и не работете с електроинструмента, когато сте уморени.
 20. Проверете за повредени части
 - Преди по-нататъшна работа с електроинструмента извършете проверка, за да установите дали той може да работи правилно и да изпълнява функциите, за които е предназначен.
 - Проверете дали движещите се части функционират нормално и се движат свободно, за на-

личие на счупени части, правилността на монтажа и за всякакви други обстоятелства, които могат неблагоприятно да повлияят на работата на електроинструмента.

- Предпазител или друга част, която е повредена, трябва да бъде подходящо ремонтирана или заменена в оторизиран сервиз, освен ако не е посочено друго в тази инструкция.
 - Повредените прекъсвачи трябва да се подменят в оторизиран сервиз.
 - Не използвайте електроинструмента, ако прекъсвачът не превключва във включено и изключено положение.
21. Предупреждение!
 - Използването на принадлежности или приспособления, различни от препоръчаните в тази инструкция, може да предизвика опасност за злополука.
 22. Поддържайте вашия електроинструмент при квалифициран специалист по ремонта.
 - Този електроинструмент отговаря на съответните правила за безопасност. Ремонтът трябва да се извършва само от квалифицирани специалисти, при използване на оригинални резервни части, в противен случай могат да възникне значителна опасност за потребителя.

IV - Допълнителни правила за безопасност при работа с шмиргел



ПРЕДУПРЕЖДЕНИЕ: Преди да свържете електроинструмента към захранващата мрежа, убедете се че захранващото напрежение отговаря на посоченото върху табелката с технически данни на електроинструмента.

- Източник на захранване с напрежение, по-високо от посоченото за електроинструмента, може да предизвика както сериозно поражение от електрически ток върху оператора, така и повреда на електроинструмента.
- Ако имате някакви колебания, не поставяйте щепсела на електроинструмента в контактното гнездо.
- Използването на източник на захранване с напрежение, по-ниско от обозначеното върху табелката на електроинструмента, ще увреди електродвигателя.



ПРЕДУПРЕЖДЕНИЕ: Винаги изключвайте електроинструмента и изваждайте щепсела от контакта преди извършване на всякаква настройка, обслужване или поддръжка.

- По време на работа използвайте средства за защита на зрението, за да се предпазите от хвърчащи частици. Носете защитни очила.
- Използвайте средства за защита на слуха при продължителна работа. Интензивният шум по



време на работа може да предизвика слухови увреждания.

- Вземете предпазни мерки срещу вдишване на прах. Някои материали могат да съдържат токсични съставки. Носете прахозащитна маска. Трябва да сте наясно с вредното влияние на праха, токсичността на праха от определени материали.
- При обработване на детайли от метал, се отделят искри. Не се допуска наличие на възпламеними материали в близост с машината поради повишената опасност от пожар. Препоръчва се носенето на защитна престилка.
- След продължителна работа външните метални части и принадлежностите могат да се нагорещат. Не докосвайте работния инструмент или обработвания детайл веднага след работа - те могат да бъдат извънредно горещи и да получите изгаряне на кожата.
- Пазете ръцете си от въртящи се части.



ПРЕДУПРЕЖДЕНИЕ: Шлифовъчните дискове продължават да се въртят и след изключване на машината.

- Пазете дисковете от удари, сътресения и от допир с масла.
- Не се допуска употреба на напукани, увредени или деформирани дискове.
- Винаги изчакайте поставения нов диск да се върти няколко минути на празен ход преди да започнете работа. При включване на прекъсвача застанете отстрана на шмиргела, а не пред него.
- Всеки път преди да започнете работа проверявайте дали дискът се върти свободно.
- Винаги изключвайте шмиргела, когато не работите с него и не го оставяйте без надзор без преди това да сте изключили машината и да сте извадили щепсела от контакта. Изчакайте дисковете да престанат да се въртят преди да напуснете работното си място.
- Преди да пуснете машината се убедете, че дискът не се допира до обработвания детайл.
- Не работете с шмиргела ако предпазителите и поставките на са правилно поставени и закрепени.
- Не работете с шмиргела без спуснати защитни екрани.
- Електроинструментът трябва да се използва само по предназначение. Всякаква друга употреба, различаваща се от описаната в тази инструкция, ще се счита за неправилна употреба. Отговорността за всякаква повреда или нараняване, произтичащи от неправилна употреба, ще се носи от потребителя, а не от производителя.
- За да използвате този електроинструмент правилно, трябва да спазвате изискванията за безопасност, указанията за монтаж и инструкциите за експлоатация, описани в този документ. Всички лица, които използват или обслужват тази машина, трябва да са запознати с тази инструкция и да бъдат информирани за възможните опасности, свързани с този електроинструмент. Забраня-

ва се работата на деца и немощни хора с този електроинструмент. Децата трябва винаги да бъдат под непрекъснато наблюдение ако се намират в работната зона. Задължително трябва да се спазват правилата за безопасна работа, които са в сила за вашата страна. Същото се отнася за основните правила за професионално здравеопазване и техника на безопасност.

- Производителят не носи отговорност за извършени от потребителя промени върху електроинструмента или за повреди, предизвикани от подобни промени.



ПРЕДУПРЕЖДЕНИЕ: Използването на всякакви принадлежности или приспособления, различни от препоръчаните в тази инструкция, може да представлява риск за нараняване на оператора.

Електроинструментът е предназначен за работа в помещения и зони с нормална пожарна опасност съгласно "Наредба №2 "Противопожарни строително-технически норми". Не се допуска използването му във взривоопасна и пожароопасна среда, при температура на околния въздух над 40°C, в особено влажна среда, при наличие на валежи и в химически активна среда. Работното място трябва да бъде добре осветено.

V - Запознаване с електроинструмента

Преди да започнете да работите с шмиргела, се запознайте с всички оперативни особености и условия за безопасност.

Използвайте електроинструмента и принадлежностите му само по предназначение. Всяко друго приложение е изрично забранено.

1. Въртяща се ръкохватка
2. Защитен екран
3. Стойка на защитния екран
4. Диск
5. Поставка за детайл
6. Прекъсвач
7. Основа
8. Предпазител на диска
9. Регулираща гайка
10. Накрайник за прахоотвеждане
11. Телена четка (MBGT 150)
12. Предпазител на телената четка (MBGT 150)
13. Регулиращ лост на поставката (MBGS 200)
14. Лост за опъване на шлифовъчната лента (MBGS 200)
15. Регулатор за позициониране на шлифовъчната лента върху валците (MBGS 200)
16. Кожух на шлифовъчната лента (MBGS 200)
17. Шлифовъчна лента (MBGS 200)
18. Поставка за детайл (MBGS 200)
19. Винт (MBGS 200)

VI - Указания за работа

Този електроинструмент се захранва от еднофазно променливо напрежение. Този електроинструмент е от клас I съгласно EN 61029 - 1 и не може да се присъединява към контакти без защитни клеми. Радиосмущенията съответстват на директивата за електромагнитна съвместимост 2004/108/ЕС и на EN 61029- 1, EN 61029-2-4, EN 55014-1, EN 55014-2, EN 61000-3-2, EN 61000-3-3.

Шмиргелът е предназначен за шлифовъчни, заточващи и почистващи операции: заточване на всички видове инструменти, почистване на метални повърхности и профили посредством шлифовъчни дискове от корунд, телена четка или шлифовъчна лента.

ПРЕДИ ДА ЗАПОЧНЕТЕ РАБОТА



ПРЕДУПРЕЖДЕНИЕ: Винаги изключвайте електроинструмента и изваждайте щепсела от контакта преди извършване на всякаква настройка, обслужване или поддръжка, включително замяна на принадлежност.

- Проверете дали напрежението на електрическата мрежа отговаря на това, означено върху табелката с технически данни на електроинструмента.
- Електроинструментът да се присъединява само към контакт с допълнителна защитна клема.
- Проверете в какво положение се намира прекъсвачът. Електроинструментът трябва да се присъединява и отделя от захранващата мрежа само при изключен прекъсвач. Ако поставите щепсела в контакт докато прекъсвачът е във включено положение, електроинструментът веднага ще се задейства, което е предпоставка за злополука.
- Ако захранващия кабел е повреден, той трябва да бъде заменен със специално подготвен кабел или възел от производителя или от негов сервизен специалист, за да се избегнат опасностите от замяната.
- При ниски температури и ако машината не е работила отдавна я оставете да поработи известно време на празен ход.
- Поставете шмиргела стабилно на работна маса с равна повърхност. Електроинструментът може да се закрепва неподвижно за работна маса (Фиг. 1) или специална стойка SBG 80 (доставя се отделно) посредством болтове M10 mm. Специалната стойка SBG 80 се закрепва към пода с два болта M12 mm (Фиг. 2).

МОНТАЖ



ПРЕДУПРЕЖДЕНИЕ: Винаги изключвайте електроинструмента и изваждайте щепсела от контакта преди извършване на всякаква настройка, обслужване или поддръжка.

- Проверете визуално годността на дисковете (4) за наличие на механични повреди.
- Проверете състоянието на всички крепежни елементи. Проверете дали винтовете, закрепващи предпазителите, са добре притегнати.
- Монтирайте поставките за детайли (5) и регулирайте положението им. Разстоянието между поставка (5) и диск (4) не трябва да надвишава 1,6 mm. Пристегнете регулиращите гайки (9).
- Монтирайте стойките за защитни екрани (3). При нормално работно положение дисковете (4) трябва да се виждат добре през защитните екрани (2).



ПРЕДУПРЕЖДЕНИЕ: Не се допуска работата със свалени предпазители и защитни екрани.

- След като монтирате електроинструмента, свържете крайника (10) към система за прахоотвеждане.

СМЯНА НА ДИСК



ПРЕДУПРЕЖДЕНИЕ: Винаги изключвайте електроинструмента и изваждайте щепсела от контакта преди извършване на всякаква настройка, обслужване или поддръжка, включително при подмяна на принадлежност.



ПРЕДУПРЕЖДЕНИЕ: Използвайте само дискове с размери и периферна скорост, отговарящи на техническите данни на шмиргела.

За да замените диск, извършете следните операции:

1. Проверете визуално диска за наличие на дефекти. След това поставете показалец в отвора на новия диск и го почукайте с лек неметален предмет (например дръжка на отвертка или дървено чукче) (Фиг. 3). Звукът, който дискът издава, трябва да бъде тънък, звънтящ. Ако звукът е приглушен, то дискът е с вътрешни пукнатини и дефекти, които го правят негоден за употреба.

ЗАБЕЛЕЖКА: Дискът, който проверявате, трябва да бъде сух. Влажните дискове издават глух звук.



ПРЕДУПРЕЖДЕНИЕ: Никога не използвайте повредени дискове!

2. Демонтирайте предпазителя (8) на диска.
3. Като държите диска (4) здраво с ръка, свалете гайката и външния фланец от вретеното с гаечен ключ (Фиг. 4). Обърнете внимание, че гайката на левия диск е с лява резба, а гайката на десния диск е с дясна резба.
4. Свалете стария диск и поставете новия.
5. Монтирайте отново фланеца и гайката. Не затягайте гайката прекомерно. Проверете визуално



за поява на увреждания по диска в следствие на затягането.

- Монтирайте предпазителя (8) и го затегнете добре.
- Изчакайте шмиргела да поработи няколко минути на празен ход, за да проверите дали дискът се върти свободно и е добре балансиран.

СМЯНА НА ЧЕТКА (MBGT 150)



ПРЕДУПРЕЖДЕНИЕ: Винаги изключвайте електроинструмента и изваждайте щепсела от контакта преди извършване на всякаква настройка, обслужване или поддръжка, включително при подмяна на принадлежност.

За да замените четката (11), извършете следните операции:

- Демонтирайте предпазителя (12) на четката.
- Развийте гайката за закрепване на четката и свалете фланеца. Обърнете внимание, че гайката е с дясна резба (Фиг. 5).
- Свалете старата и поставете новата четка.
- Монтирайте обратен фланец и затегнете гайката. Не затягайте гайката прекомерно.
- Поставете обратен предпазителя на четката и го затегнете добре.
- Изчакайте шмиргела да поработи няколко минути на празен ход, за да проверите дали четката се върти свободно и е добре балансирана.

СМЯНА НА ЛЕНТА (MBGS 200)



ПРЕДУПРЕЖДЕНИЕ: Винаги изключвайте електроинструмента и изваждайте щепсела от контакта преди извършване на всякаква настройка, обслужване или поддръжка, включително при подмяна на принадлежност.

- Издърпайте лоста за опъване на лентата (14) и отстранете старата лента. (Фиг. 6)
- Проверете дали новата лента се полага лесно и не е износена по краищата.
- Стрелките на лентата трябва да сочат в една и съща посока със стрелката върху кожуха (16).
- Върнете лоста (14) в първоначалното му положение. (Фиг. 7)
- Поставете щепсела в контакта и включете електроинструмента. Оставете шлифовъчната лента да се повърти за известно време.
- Докато лентата се движи, използвайте регулатора (15), да нагласите лентата в средата на валика. (Фиг. 8)
- Повторете тези действия, докато лентата е правилно подравнена.
- Разположете кожуха на лентата (16) в желаното работно положение с помощта на винта с вътрешен шестстен (19). (Фиг. 9)
- Регулирайте положението на поставката за детайл (18) спрямо лентата с помощта на лоста (13). (Фиг. 10)

РАЗМЕРИ НА ОБРАБОТВАНИЯ ДЕТАЙЛ

Габаритите и теглото на обработвания детайл трябва да осигуряват безпрепятствено обработване без предварително закрепване и да не предизвикват нарушаване на естествената положение на тялото на оператора при работа.

РАБОТА С ШМИРГЕЛА

- Не претоварвайте електроинструмента. Прекомерният натиск може да предизвика прегряване на електродвигателя и преждевременно износване на диска.



ПРЕДУПРЕЖДЕНИЕ: Прекомерният натиск върху студен диск може да предизвика неговото счупване.

- Не използвайте електроинструмента за цели, за които той не е предназначен.
- Смяната на принадлежностите да се извършва само при точно спазване на посочените по-горе инструкции.
- Да се отстранят всички гаечни ключове и детайли по електроинструмента и в близост до него преди започване на работа.
- Положението на защитните екрани може да се регулира. Те трябва да се нагласят така, че да позволяват на оператора добър обзор на работната зона.
- Проверете и при необходимост регулирайте положението на поставките за детайли така, че разстоянието между тях и диска да не надвишава 1,6 mm (Фиг.11). Тъй като дисковете се износват при употреба, регулирайте редовно разстоянието между поставките и дисковете. Това ще осигури подходящ ъгъл на заточване, а оттам и висока производителност. Поставките за детайли трябва винаги да се използват в хоризонтално положение.
- При пускане оставете машината да поработи на празен ход до развъртане на двигателя.



ПРЕДУПРЕЖДЕНИЕ: Не се допуска използването на принадлежности или приспособления, различни от препоръчаните в тази инструкция.



ПРЕДУПРЕЖДЕНИЕ: Не заточвайте и не шлифовайте детайли от алуминий, мед или месинг.

- При шлифване допирайте с детайла челната повърхност на диска, а не страничните му повърхности. Натоварването на страничните повърхности на диска е опасно и не трябва да се допуска.





ПРЕДУПРЕЖДЕНИЕ: При работа с четка, частици от отстранявания материал заедно с откъснали се поради умора на материала телчета на четката отхвърчат с голяма сила. Не работете с шмиргела без спуснати защитни екрани и предпазни очила.

- Когато използвате телената четка, избягвайте прилагането на прекомерен натиск. Прекомерният натиск предизвиква прегъване и скъсване на нишките и намалява живота на четката.



ПРЕДУПРЕЖДЕНИЕ: Не превишавайте максимално допустимата скорост на въртене, маркирана върху четката.

- Не работете с изхабени, скъсани или набити с прах шлифовъчни ленти.
- Не докосвайте движеща се лента.

ПУСКАНЕ - СПИРАНЕ

Пускане: Натиснете бутон ПУСК "I" на прекъсвача (6).

Спиране: Натиснете бутон СТОП "O" на прекъсвача (6).

ПРИНАДЛЕЖНОСТИ

MBG 150/175/200/250: Диск за грубо шлифоване 1 бр. и диск за фино шлифоване 1 бр.

MBGT 150: Диск за грубо шлифоване 1 бр. и четка кръгла с вълнообразни нишки 0,3 mm от месинг 1 бр.

MBGS 200: Диск за грубо шлифоване 1 бр. и шлифовъчна лента 1 бр.



ПРЕДУПРЕЖДЕНИЕ: Възможно е използване на дискове с различна зърненост и максимална допустима скорост >3000 мин⁻¹

VII - Поддръжка



ПРЕДУПРЕЖДЕНИЕ: Винаги изключвайте електроинструмента и изваждайте щепсела от контакта преди всякава проверка или поддръжка.

Този електроинструмент не се нуждае от някаква специална поддръжка. Ако въпреки всичко възникне неизправност, е необходимо да се обърнете към оторизиран сервиз за гаранционно или извънгаранционно обслужване на електроинструменти SPARKY.

ОБЩА ПРОВЕРКА

Проверявайте редовно всички крепежни елементи и се уверете, че те са здраво притегнати. В случай, че някой от крепежните елементи се е разхлабил, го затегнете незабавно, за да избегнете рискови ситуации.

Ако захранващият кабел е повреден, замяната трябва да се извърши от производителя или негов сервизен специалист, за да се избегнат опасности от замяната.

ПОЧИСТВАНЕ

От време навреме е необходимо да се почистват вретеното и предпазителите (Фиг.12). Ако корпусът на машината се нуждае от почистване, избършете го с мека влажна кърпа. Може да се използва слаб препарат за миене.

Не се допуска употребата на спирт, бензин или други разтворители.

Не се допуска използването на битови химически препарати, които могат да разядат и повредят пластмасовите части на изделието.



ПРЕДУПРЕЖДЕНИЕ: Не се допуска вливането на вода в контакт с електроинструмента.

VIII - Гаранция

Гаранционният срок на електроинструментите SPARKY се определя в гаранционна карта.

Неизправности, появили се в следствие на естествено износване, претоварване или неправилна експлоатация, се изключват от гаранционните задължения.

Неизправности, появили се в следствие на влагане на некачествени материали и/или производствени грешки, се отстраняват без допълнително заплащане чрез замяна или ремонт.

Рекламация на дефектирал електроинструмент SPARKY се признава, когато машината се върне на доставчика или се представи на оторизиран гаранционен сервиз в неразглобено (първоначално) състояние.

Забележки

Внимателно прочетете цялата инструкция за използване преди да използвате това изделие.

Производителят си запазва правото да въвежда подобрения и промени в своите изделия и да променя спецификациите без предупреждение.

Спецификациите могат да се различават за отделните страни.

1207R03