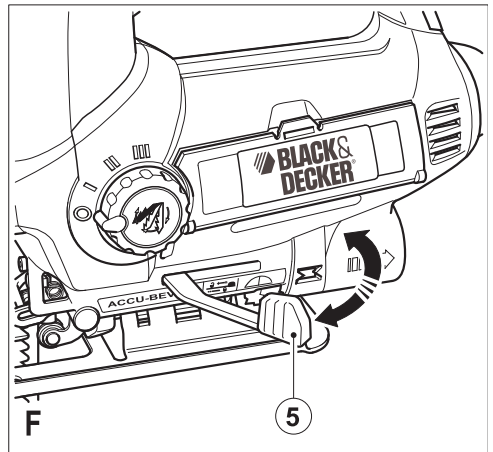
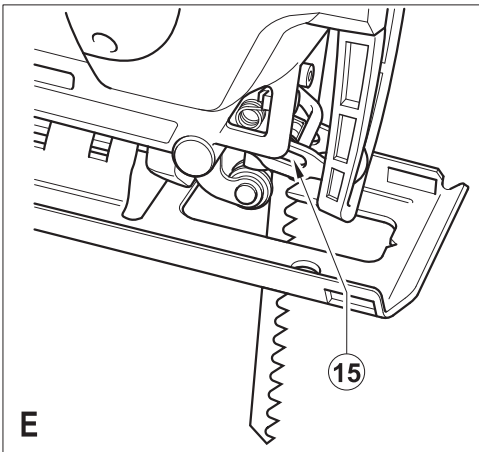
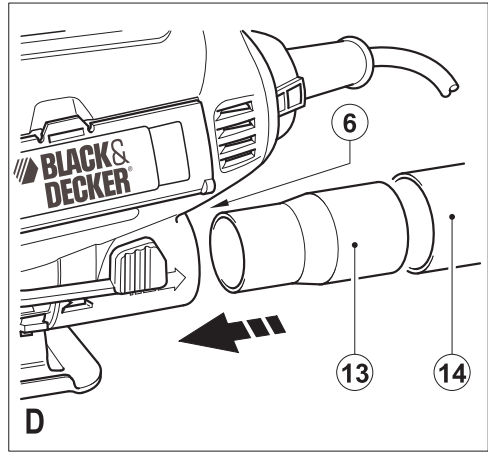
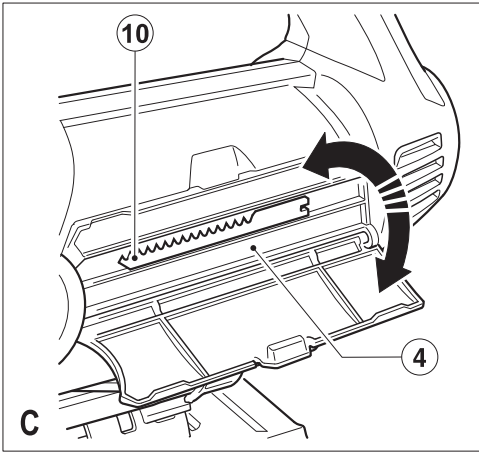
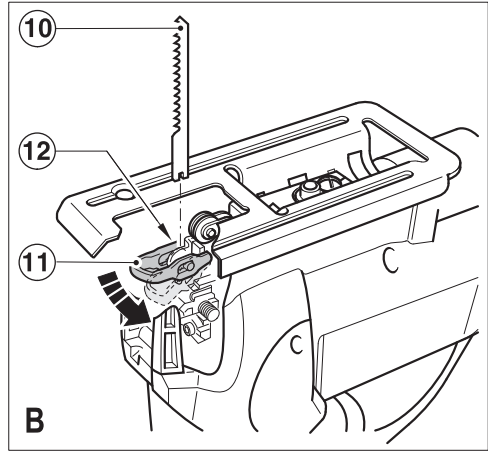
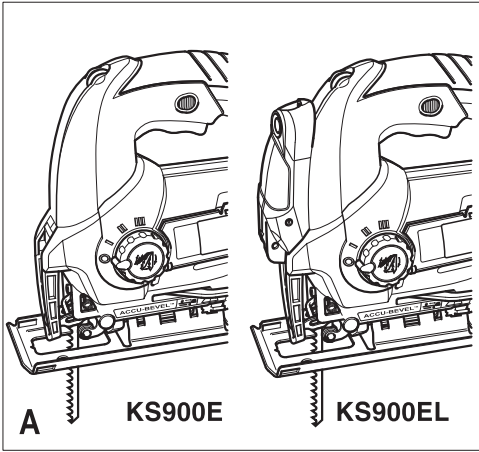
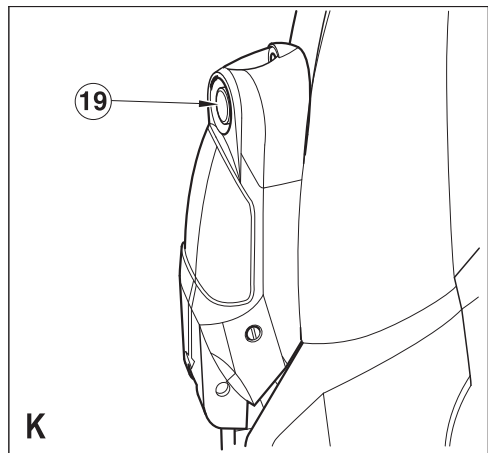
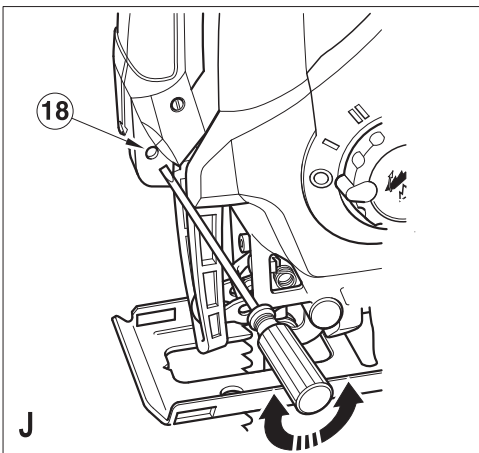
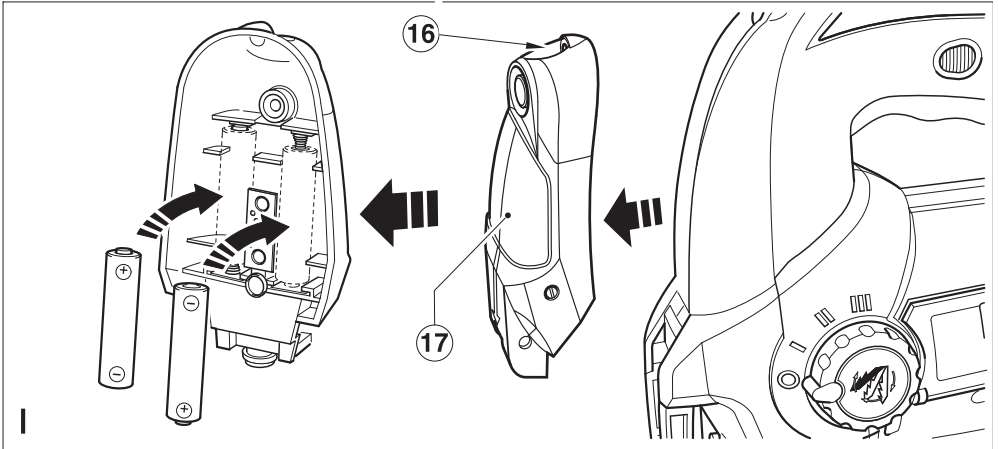
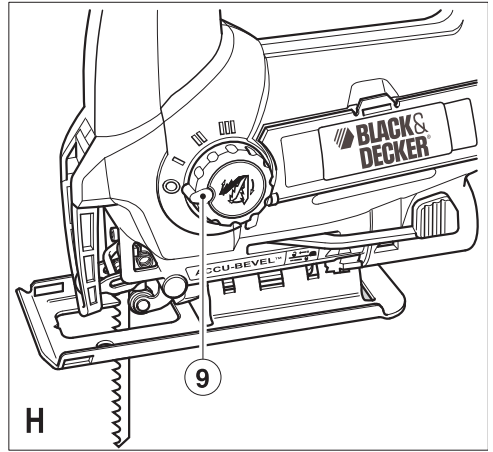
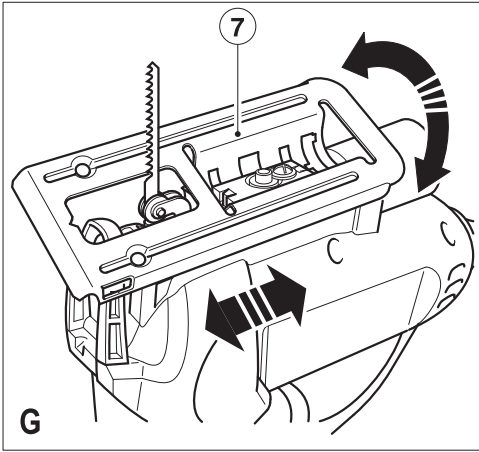
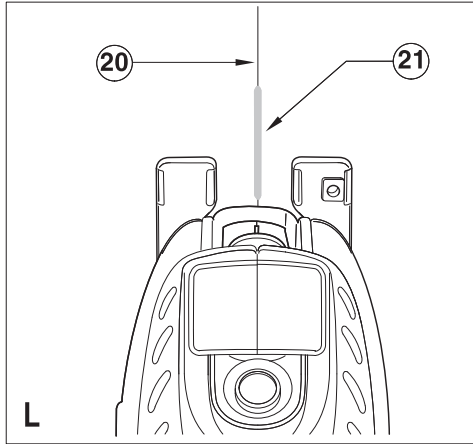


English	(Original instructions)	6
Deutsch	(Übersetzung der Originalanleitung)	13
Français	(Traduction des instructions d'origine)	21
Česky	(Přeloženo z původního návodu)	28
Magyar	(Fordítás az eredeti kezelési utasítás alapján készült)	35
Polski	(Tłumaczenie oryginalnej instrukcji)	44
Slovenčina	(Preložené z pôvodného návodu)	52
Русский язык	(Перевод с оригинала инструкции)	59
Українська	(Переклад оригінальних інструкцій)	68
Türkçe	(Çevirisi orijinal talimatlardan yapılmıştır)	77







Intended use

Your Black & Decker jigsaw has been designed for sawing wood, plastics and metal. This tool is intended for consumer use only.

Safety instructions

General power tool safety warnings



Warning! Read all safety warnings and all instructions. Failure to follow all instructions may result in electric shock, fire and/or serious injury.

Save all warnings and instructions for future reference.

The term "power tool" in all of the warnings listed below refers to your mains operated (corded) power tool or battery operated (cordless) power tool.

1. Work area safety

- a. **Keep work area clean and well lit.** Cluttered and dark areas invite accidents.
- b. **Do not operate power tools in explosive atmospheres, such as in the presence of flammable liquids, gases or dust.** Power tools create sparks which may ignite the dust or fumes.
- c. **Keep children and bystanders away while operating a power tool.** Distractions can cause you to lose control.

2. Electrical safety

- a. **Power tool plugs must match the outlet. Never modify the plug in any way. Do not use any adapter plugs with earthed (grounded) power tools.** Unmodified plugs and matching outlets will reduce risk of electric shock.
- b. **Avoid body contact with earthed or grounded surfaces such as pipes, radiators, ranges and refrigerators.** There is an increased risk of electric shock if your body is earthed or grounded.
- c. **Do not expose power tools to rain or wet conditions.** Water entering a power tool will increase the risk of electric shock.
- d. **Do not abuse the cord. Never use the cord for carrying, pulling or unplugging the power tool. Keep cord away from heat, oil, sharp edges or moving parts.** Damaged or entangled cords increase the risk of electric shock.
- e. **When operating a power tool outdoors, use an extension cord suitable for outdoor**

use. Use of a cord suitable for outdoor use reduces the risk of electric shock.

- f. **If operating a power tool in a damp location is unavoidable, use a Residual Current Device (RCD) protected supply.** Use of an RCD reduces the risk of electric shock.
3. **Personal safety**
 - a. **Stay alert, watch what you are doing and use common sense when operating a power tool. Do not use a power tool while you are tired or under the influence of drugs, alcohol or medication.** A moment of inattention while operating power tools may result in serious personal injury.
 - b. **Use personal protective equipment. Always wear eye protection.** Protective equipment such as dust mask, non-skid safety shoes, hard hat, or hearing protection used for appropriate conditions will reduce personal injuries.
 - c. **Prevent unintentional starting. Ensure the switch is in the off-position before connecting to power source and/or battery pack, picking up or carrying the tool.** Carrying power tools with your finger on the switch or energising power tools that have the switch on invites accidents.
 - d. **Remove any adjusting key or wrench before turning the power tool on.** A wrench or a key left attached to a rotating part of the power tool may result in personal injury.
 - e. **Do not overreach. Keep proper footing and balance at all times.** This enables better control of the power tool in unexpected situations.
 - f. **Dress properly. Do not wear loose clothing or jewellery. Keep your hair, clothing and gloves away from moving parts.** Loose clothes, jewellery or long hair can be caught in moving parts.
 - g. **If devices are provided for the connection of dust extraction and collection facilities, ensure these are connected and properly used.** Use of these devices can reduce dust related hazards.
 4. **Power tool use and care**
 - a. **Do not force the power tool. Use the correct power tool for your application.** The correct power tool will do the job better and safer at the rate for which it was designed.

- b. **Do not use the power tool if the switch does not turn it on and off.** Any power tool that cannot be controlled with the switch is dangerous and must be repaired.
- c. **Disconnect the plug from the power source and/or the battery pack from the power tool before making any adjustments, changing accessories, or storing power tools.** Such preventive safety measures reduce the risk of starting the power tool accidentally.
- d. **Store idle power tools out of the reach of children and do not allow persons unfamiliar with the power tool or these instructions to operate the power tool.** Power tools are dangerous in the hands of untrained users.
- e. **Maintain power tools. Check for misalignment or binding of moving parts, breakage of parts and any other condition that may affect the power tools operation. If damaged, have the power tool repaired before use.** Many accidents are caused by poorly maintained power tools.
- f. **Keep cutting tools sharp and clean.** Properly maintained cutting tools with sharp cutting edges are less likely to bind and are easier to control.
- g. **Use the power tool, accessories and tool bits etc. in accordance with these instructions, taking into account the working conditions and the work to be performed.** Use of the power tool for operations different from those intended could result in a hazardous situation.

5. Service

- a. **Have your power tool serviced by a qualified repair person using only identical replacement parts.** This will make sure that the safety of the power tool is maintained.

Additional power tool safety warnings



Warning! Additional safety warnings for jigsaws.

- ◆ **Hold power tool by insulated gripping surfaces, when performing an operation where the cutting accessory may contact hidden wiring or its own cord.** Cutting accessory contacting a „live“ wire may make exposed metal parts of the power tool „live“ and could give the operator an electric shock.

- ◆ **Use clamps or another practical way to secure and support the workpiece to a stable platform.** Holding the work by hand or against your body leaves it unstable and may lead to loss of control.
- ◆ **Keep hands away from cutting area.** Never reach underneath the work piece any reason. Do not insert fingers or thumb into the vicinity of the reciprocating blade and blade clamp. Do not stabilize the saw by gripping the shoe.
- ◆ **Keep blades sharp.** Dull or damaged blades may cause the saw to swerve or stall under pressure. Always use the appropriate type of saw blade for the workpiece material and type of cut.
- ◆ **When cutting pipe or conduit, make sure that they are free from water, electrical wiring, etc.**
- ◆ **Do not touch the workpiece or the blade immediately after operating the tool.** They can become very hot.
- ◆ **Be aware of hidden hazards, before cutting into walls, floors or ceilings, check for the location of wiring and pipes.**
- ◆ **The blade will continue to move after releasing the switch.** Always switch the tool off and wait for the saw blade to come to a complete standstill before putting the tool down.

Warning! Contact with, or inhalation of dusts arising from cutting applications may endanger the health of the operator and possible bystanders. Wear a dust mask specifically designed for protection against dust and fumes and ensure that persons within or entering the work area are also protected.

- ◆ The intended use is described in this instruction manual. The use of any accessory or attachment or performance of any operation with this tool other than those recommended in this instruction manual may present a risk of personal injury and/or damage to property.

Safety of others

- ◆ This appliance is not intended for use by persons (including children) with reduced physical, sensory or mental capabilities, or lack of experience and knowledge, unless they have been given supervision or instruction concerning the use of the appliance by a person responsible for their safety.
- ◆ Children should be supervised to ensure that they do not play with the appliance.

Vibration

The declared vibration emission values stated in the technical data and the declaration of conformity have been measured in accordance with a standard test method provided by EN 60745 and may be used for comparing one tool with another. The declared vibration emission value may also be used in a preliminary assessment of exposure.

Warning! The vibration emission value during actual use of the power tool can differ from the declared value depending on the ways in which the tool is used. The vibration level may increase above the level stated.

When assessing vibration exposure to determine safety measures required by 2002/44/EC to protect persons regularly using power tools in employment, an estimation of vibration exposure should consider, the actual conditions of use and the way the tool is used, including taking account of all parts of the operating cycle such as the times when the tool is switched off and when it is running idle in addition to the trigger time.

Labels on tools



Warning! To reduce the risk of injury, the user must read the instruction manual.

Electrical safety



This tool is double insulated; therefore no earth wire is required. Always check that the power supply corresponds to the voltage on the rating plate.

- ◆ If the supply cord is damaged, it must be replaced by the manufacturer or an authorised Black & Decker Service Centre in order to avoid a hazard.

Additional safety instructions for non-rechargeable batteries

- ◆ Never attempt to open for any reason.
- ◆ Do not store in locations where the temperature may exceed 40°C.
- ◆ When disposing of batteries, follow the instructions given in the section „Protecting the environment“.
- ◆ Do not incinerate the batteries.
- ◆ Under extreme conditions, battery leakage may occur. When you notice liquid on the batteries, proceed as follows:
 - Carefully wipe the liquid off using a cloth. Avoid skin contact.

Additional safety instructions for lasers



Read all of this manual carefully.



This product is not to be used by children under 16.



Laser radiation.



Do not look into the laser beam.



Do not use optical tools to view the laser beam.

- ◆ This laser complies with class 2 according to EN 60825-1:2007. Do not replace a laser diode with a different type. If the laser is damaged, have the laser repaired by an authorised repair agent.
- ◆ Do not use the laser for any purpose other than projecting laser lines.
- ◆ An exposure of the eye to the beam of a class 2 laser is considered safe for a maximum of 0.25 seconds. Eyelid reflexes will normally provide adequate protection. At distances greater than 1m, the laser complies with class 1 and is therefore considered completely safe.
- ◆ Never look into the laser beam directly and intentionally.
- ◆ Do not use optical tools to view the laser beam.
- ◆ Do not set up the tool where the laser beam can cross any person at head height.
- ◆ Do not let children come near the laser.

Features

1. Variable speed control knob
2. On/off switch
3. Lock-on button
4. Blade storage compartment cover
5. Shoe plate locking lever
6. Dust extraction outlet
7. Shoe plate
8. Saw blade support roller
9. Pendulum stroke selector

Additional features (fig. A)

Additional features may be applicable depending upon the product purchased. The additional features applicable to the catalogue number purchased are shown in fig. A.

Assembly

Warning! Before attempting any of the following operations, make sure that the tool is switched

off and unplugged and that the saw blade has stopped. Used saw blades may be hot.

Fitting and removing the saw blade (fig. B and C)

Warning! Before attempting any of the following operations, make sure that the tool is switched off and unplugged and that the saw blade has stopped. Used saw blades may be hot.

Fitting the saw blade (fig. B)

- ◆ Hold the saw blade (10) as shown, with the teeth facing forward.
- ◆ Push and hold the blade clamp (11) down.
- ◆ Insert the shank of the saw blade into the blade holder (12) as far as it will go.
- ◆ Release the blade clamp (11).

Saw blade storage (fig. C)

Saw blades (10) can be stored in the storage compartment (4) located on the side of the tool.

- ◆ Open the cover of the saw blade storage compartment (4) by holding the tab on the top of the cover and pulling it outward.
- ◆ The blades are retained in the compartment by a magnetic strip. To remove a blade, press down on one end of the blade to raise the other end, and remove.
- ◆ Close the cover of the saw blade storage compartment (4) and make sure that it is latched closed.

Warning! Close the storage compartment door securely before operating the saw.

Connecting a vacuum cleaner to the tool (fig. D)

An adaptor (13) is required to connect a vacuum cleaner or dust extractor to the tool.

- ◆ Push the adaptor (13) into the dust extraction outlet (6).
- ◆ Connect the vacuum cleaner hose (14) to the adaptor (13).

Cut line blower (fig. E)

- ◆ To aid visibility when cutting, your jigsaw is equipped with a cut line blower (15) which will keep the work area clear of dust as you saw.

Residual risks

Additional residual risks may arise when using the tool which may not be included in the enclosed safety warnings. These risks can arise from misuse, prolonged use etc.

Even with the application of the relevant safety regulations and the implementation of safety devices, certain residual risks cannot be avoided.

These include:

- ◆ Injuries caused by touching any rotating/moving parts.
- ◆ Injuries caused when changing any parts, blades or accessories.
- ◆ Injuries caused by prolonged use of a tool. When using any tool for prolonged periods make sure you take regular breaks.
- ◆ Impairment of hearing.
- ◆ Health hazards caused by breathing dust developer when using your tool (example:- working with wood, especially oak, beech and MDF).

Use

Adjusting the shoe plate for bevel cuts (fig. F and G)

Warning! Never use the tool when the shoe plate is loose or removed.

The shoe plate (7) can be set to a left or right bevel angle of up to 45°.

- ◆ Pull the shoe plate locking lever (5) outwards to unlock the shoe plate (7) from the 0 deg position.
- ◆ Pull the shoe plate (7) forward and set the required bevel 15°, 30° and 45° indicated in the bevel angle window.
- ◆ Push the shoe plate locking lever (5) back towards the saw to lock the shoe plate (7).

To reset the shoe plate (7) for straight cuts:

- ◆ Pull the shoe plate locking lever (5) outwards to unlock the shoe plate (7).
- ◆ Set the shoe plate (7) to an angle of 0° and push the shoe plate backwards.
- ◆ Push the shoe plate locking lever (5) back towards the saw to lock the shoe plate (7).

Setting the pendulum stroke (fig. H)

- ◆ Set the pendulum stroke selector (9) to the required position.
- ◆ Position 0: metal and aluminium and sheet metal.
- ◆ Position I: for laminates, hard wood, work tops.
- ◆ Position II: for plywood and PVC/Plastics.
- ◆ Position III: for soft wood and fast cutting.

Variable speed control

- ◆ Set the variable speed control knob (1) to the required speed range.
- ◆ Use a high speed for wood, medium speed for aluminium and PVC and low speed for metals other than aluminium.

Switching on and off

- ◆ To switch the tool on, press the on/off switch (2).
- ◆ To switch the tool off, release the on/off switch (2).
- ◆ For continuous operation, press the lock-on button (3) and release the on/off switch (2).
- ◆ To switch the tool off when in continuous operation, press the on/off switch (2) and release it.

Sawing

Hold the tool firmly with both hands while cutting. The shoe plate (7) should be held firmly against the material being cut. This will help prevent the saw from jumping, reduce vibration and minimise blade breakage.

- ◆ Let the blade run freely for a few seconds before starting the cut.
- ◆ Apply only a gentle pressure to the tool while performing the cut.

Operating the laser (fig. I - L) (KS900EL unit only)

Installing the batteries (fig. I)

Detach the laser module (17) from the jigsaw by removing the screw (16) and pulling the laser module forward. Insert two new 1.5 Volt AAA alkaline batteries, making sure to match the (+) and (-) terminals correctly. Re-attach the laser module (17).

Adjusting the laser side-to-side (fig. J)

Note: The laser is intended as a cutting aid and does not guarantee a precise cut.

Warning! Do not adjust the laser with the jigsaw plugged in.

- ◆ Use the laser adjustment screw (18) to align the laser line with the saw blade if needed.

The laser visibility (power) will be reduced if the jigsaw is overheated. The laser may not be visible when the saw is overloaded for a prolonged period of time. The laser visibility will gradually return to normal when the tool cools down even when the tool is unplugged.

Warning! Do not leave the overheated laser switched ON. Make sure that the switch is in the OFF position and remove the batteries to remove power from the laser.

Using the laser (fig. K - L)

The laser projects the line of cut (21) on to the surface of the workpiece.

- ◆ To switch the laser on, press the button (19).

- ◆ To switch the laser off, press the button (19) again.

Viewing from directly above the jigsaw, the line of cut (21) can be easily followed. Should this view be restricted for any reason, the laser can be used as an alternative cutting guide.

- ◆ Use a pencil to mark the cutting line (20).
- ◆ Position the jigsaw over the line (20).
- ◆ Switch on the laser.

Hints for optimum use

Sawing laminates

When cutting laminates, splintering may occur which can damage the presentation surface. The most common saw blades cut on the upward stroke, therefore if the shoe plate is sitting on the presentation surface either use a saw blade that cuts on the downward stroke or:

- ◆ Use a fine-tooth saw blade.
- ◆ Saw from the back surface of the workpiece.
- ◆ To minimise splintering, clamp a piece of scrap wood or hardboard to both sides of the workpiece and saw through this sandwich.

Sawing metal

Be aware that sawing metal takes much more time than sawing wood.

- ◆ Use a saw blade suitable for sawing metal.
- ◆ When cutting thin sheet metal, clamp a piece of scrap wood to the back surface of the workpiece and cut through this sandwich.
- ◆ Spread a film of oil along the intended line of cut.

Maintenance

Your Black & Decker tool has been designed to operate over a long period of time with a minimum of maintenance. Continuous satisfactory operation depends upon proper tool care and regular cleaning.

- ◆ Regularly clean the ventilation slots in your tool using a soft brush or dry cloth.
- ◆ Regularly clean the motor housing using a damp cloth. Do not use any abrasive or solvent-based cleaner. Never let any liquid get inside the tool and never immerse any part of the tool into liquid.

Mains plug replacement (U.K. & Ireland only)

If a new mains plug needs to be fitted:

- ◆ Safely dispose of the old plug.
- ◆ Connect the brown lead to the live terminal in the new plug.
- ◆ Connect the blue lead to the neutral terminal.

Warning! No connection is to be made to the earth terminal. Follow the fitting instructions supplied with good quality plugs. Recommended fuse: 5 A.

Protecting the environment



Separate collection. This product must not be disposed of with normal household waste.

Should you find one day that your Black & Decker product needs replacement, or if it is of no further use to you, do not dispose of it with household waste. Make this product available for separate collection.



Separate collection of used products and packaging allows materials to be recycled and used again. Reuse of recycled materials helps prevent environmental pollution and reduces the demand for raw materials.

Local regulations may provide for separate collection of electrical products from the household, at municipal waste sites or by the retailer when you purchase a new product.

Black & Decker provides a facility for the collection and recycling of Black & Decker products once they have reached the end of their working life. To take advantage of this service please return your product to any authorised repair agent who will collect them on our behalf.

You can check the location of your nearest authorised repair agent by contacting your local Black & Decker office at the address indicated in this manual. Alternatively, a list of authorised Black & Decker repair agents and full details of our after-sales service and contacts are available on the Internet at: www.2helpU.com.

Batteries



At the end of their useful life, discard batteries with due care for our environment:

- ◆ Do not short-circuit the battery terminals.
- ◆ Do not dispose of the battery(s) in a fire as this may result in a risk of personal injury or an explosion.
- ◆ Run the battery down completely, then remove it from the tool.

- ◆ Batteries are recyclable. Place the battery(s) in a suitable packaging to ensure that the terminals cannot be short-circuited. Take them to any authorised repair agent or a local recycling station.

Technical data

	KS900E TYPE1	KS900EL TYPE1
Voltage	V_{AC}	230
Rated input	W	600
No-load speed	min^{-1}	800-3000
Max. depth of cut		
Wood	mm	85
Steel	mm	5
Aluminium	mm	15
Weight	kg	2.36
(with laser)	kg	2.66

Level of sound pressure according to EN 60745:
 L_{pA} (sound pressure) 87 dB(A), uncertainty (K) 3 dB(A), L_{WA} (acoustic power) 98 dB(A), uncertainty (K) 3 dB(A)

Vibration total values (triax vector sum) according to EN 60745:
 Cutting wood ($a_{h,CW}$) 10.5 m/s^2 , uncertainty (K) 1.5 m/s^2 , Cutting metal ($a_{h,CM}$) 14.5 m/s^2 , uncertainty (K) 1.5 m/s^2

EC declaration of conformity

MACHINERY DIRECTIVE



KS900E, KS900EL

Black & Decker declares that these products described under "technical data" are in compliance with: 2006/42/EC, EN60745-1, EN60745-2-11

For more information, please contact Black & Decker at the following address or refer to the back of the manual.

The undersigned is responsible for compilation of the technical file and makes this declaration on behalf of Black & Decker

Kevin Hewitt
 Vice-President
 Global Engineering
 Black & Decker Europe,
 210 Bath Road, Slough,
 Berkshire, SL1 3YD
 United Kingdom
 10-02-2010

Guarantee

Black & Decker is confident of the quality of its products and offers an outstanding guarantee. This guarantee statement is in addition to and in no way prejudices your statutory rights. The guarantee is valid within the territories of the Member States of the European Union and the European Free Trade Area.

If a Black & Decker product becomes defective due to faulty materials, workmanship or lack of conformity, within 24 months from the date of purchase, Black & Decker guarantees to replace defective parts, repair products subjected to fair wear and tear or replace such products to make sure of the minimum inconvenience to the customer unless:

- ◆ The product has been used for trade, professional or hire purposes.
- ◆ The product has been subjected to misuse or neglect.
- ◆ The product has sustained damage through foreign objects, substances or accidents.
- ◆ Repairs have been attempted by persons other than authorised repair agents or Black & Decker service staff.

To claim on the guarantee, you will need to submit proof of purchase to the seller or an authorised repair agent. You can check the location of your nearest authorised repair agent by contacting your local Black & Decker office at the address indicated in this manual. Alternatively, a list of authorised Black & Decker repair agents and full details of our aftersales service and contacts are available on the Internet at: **www.2helpU.com**

Please visit our website

www.blackanddecker.co.uk to register your new Black & Decker product and to be kept up to date on new products and special offers. Further information on the Black & Decker brand and our range of products is available at **www.blackanddecker.co.uk**.

Bestimmungsgemäße Verwendung

Ihre Black & Decker Stichsäge wurde zum Sägen von Holz, Kunststoff und Metall entwickelt. Dieses Gerät ist nicht für den gewerblichen Einsatz vorgesehen.

Sicherheitshinweise

Allgemeine Sicherheitswarnungen für das Gerät



Achtung! Sämtliche Sicherheitswarnungen und Anweisungen sind zu lesen. Die Nichteinhaltung der aufgeführten Anweisungen kann einen elektrischen Schlag, Brand und/oder schwere Verletzungen verursachen.

Bewahren Sie alle Sicherheitswarnungen und Anweisungen gut auf.

Der nachfolgend verwendete Begriff „Gerät“ bezieht sich auf netzbetriebene Geräte (mit Netzkabel) und auf akkubetriebene Geräte (ohne Netzkabel).

1. Sicherheit im Arbeitsbereich


- a. **Halten Sie Ihren Arbeitsbereich sauber und gut ausgeleuchtet.** Unordnung und dunkle Arbeitsbereiche können zu Unfällen führen.
- b. **Arbeiten Sie mit Geräten nicht in explosionsgefährdeter Umgebung, in der sich brennbare Flüssigkeiten, Gase oder Stäube befinden.** Geräte erzeugen Funken, die den Staub oder die Dämpfe entzünden können.
- c. **Halten Sie Kinder und andere Personen während der Benutzung eines Gerätes fern.** Bei Ablenkung können Sie die Kontrolle verlieren.

2. Elektrische Sicherheit

- a. **Der Netzstecker des Gerätes muss in die Steckdose passen. Der Stecker darf in keiner Weise verändert werden. Verwenden Sie für schutzgeerdete Geräte keine Adapterstecker.** Unveränderte Stecker und passende Steckdosen verringern das Risiko eines elektrischen Schlages.
- b. **Vermeiden Sie Körperkontakt mit geerdeten Oberflächen von Rohren, Heizungen, Herden und Kühlschränken.** Es besteht ein erhöhtes Risiko eines elektrischen Schlages, wenn Ihr Körper geerdet ist.
- c. **Halten Sie Geräte von Regen und Nässe fern.** Das Eindringen von Wasser in ein

Gerät erhöht das Risiko eines elektrischen Schlages.

- d. **Verwenden Sie das Kabel ordnungsgemäß. Verwenden Sie es niemals zum Tragen. Trennen Sie das Gerät nicht durch Ziehen am Kabel vom Netz. Halten Sie das Kabel fern von Hitze, Öl, scharfen Kanten oder sich bewegenden Teilen.** Beschädigte oder verwickelte Kabel erhöhen das Risiko eines elektrischen Schlages.
 - e. **Wenn Sie mit einem Gerät im Freien arbeiten, verwenden Sie nur Verlängerungskabel, die auch für den Außenbereich zugelassen sind.** Die Verwendung eines für den Außenbereich geeigneten Verlängerungskabels verringert das Risiko eines elektrischen Schlages.
 - f. **Wenn ein Elektrowerkzeug in einer feuchten Umgebung verwendet werden muss, schließen Sie es unbedingt an eine Steckdose mit Fehlerstromschutzschalter (RCD) an.** Ein Fehlerstromschutzschalter verringert das Risiko eines elektrischen Schlages.
- #### 3. Sicherheit von Personen
- a. **Seien Sie aufmerksam, achten Sie darauf, was Sie tun, und gehen Sie vernünftig mit dem Gerät um. Benutzen Sie das Gerät nicht, wenn Sie müde sind oder unter dem Einfluss von Drogen, Alkohol oder Medikamenten stehen.** Ein Moment der Unachtsamkeit beim Gebrauch von Geräten kann zu ernsthaften Verletzungen führen.
 - b. **Verwenden Sie eine geeignete Schutzausrüstung. Tragen Sie stets eine Schutzbrille.** Schutzausrüstung wie Staubmaske, rutschfeste Sicherheitsschuhe, Schutzhelm oder Gehörschutz, je nach Art und Einsatz des Gerätes, verringert das Risiko von Verletzungen.
 - c. **Vermeiden Sie eine unbeabsichtigte Inbetriebnahme. Vergewissern Sie sich, dass das Gerät ausgeschaltet ist, bevor Sie es an eine Steckdose oder einen Akku anschließen, es hochheben oder tragen.** Durch das Tragen des Gerätes mit dem Finger am Schalter oder durch das Anschließen eingeschalteter Geräte werden Unfälle provoziert.
 - d. **Entfernen Sie Einstell- oder Schraubenschlüssel, bevor Sie das Gerät einschalten.** Ein Schlüssel in einem sich drehenden Teil kann zu Verletzungen führen.

- e. Beugen Sie sich nicht zu weit nach vorn über. Achten Sie auf einen sicheren Stand, um in jeder Arbeitsposition das Gleichgewicht zu halten.** Dadurch können Sie das Gerät in unerwarteten Situationen besser unter Kontrolle halten.
- f. Tragen Sie geeignete Kleidung. Tragen Sie keine weite Kleidung oder Schmuck. Halten Sie Haare, Kleidung und Handschuhe von sich bewegenden Teilen fern.** Lockere Kleidung, Schmuck oder lange Haare können von sich bewegenden Teilen erfasst werden.
- g. Falls Vorrichtungen zum Absaugen oder Auffangen von Staub vorhanden sind, vergewissern Sie sich, dass diese angeschlossen sind und richtig verwendet werden.** Diese Vorrichtungen verringern Gefährdungen durch Staub.
- 4. Gebrauch und Pflege von Geräten**
- a. Überlasten Sie das Gerät nicht. Verwenden Sie das für Ihre Arbeit passende Gerät.** Durch das Arbeiten in dem für das Gerät angegebenen Leistungsbereich erzielen Sie nicht nur optimale Ergebnisse, Sie erhöhen auch die Sicherheit.
- b. Verwenden Sie das Gerät nicht, wenn der Ein-/Ausschalter nicht funktioniert.** Ein Gerät, das sich nicht mehr ein- oder ausschalten lässt, ist gefährlich und muss repariert werden.
- c. Ziehen Sie den Stecker aus der Steckdose oder trennen Sie das Gerät vom Akku, bevor Sie Einstellungen vornehmen, Zubehörteile wechseln oder das Gerät weglegen.** Diese Vorsichtsmaßnahme verhindert den unbeabsichtigten Start des Gerätes.
- d. Bewahren Sie unbenutzte Geräte außerhalb der Reichweite von Kindern auf. Lassen Sie Geräte nicht von Personen benutzen, die damit nicht vertraut sind oder diese Anweisungen nicht gelesen haben.** Geräte sind gefährlich, wenn sie von unerfahrenen Personen benutzt werden.
- e. Halten Sie Geräte in einem einwandfreien Zustand. Kontrollieren Sie, ob bewegliche Teile falsch ausgerichtet sind oder klemmen und ob Teile gebrochen oder so beschädigt sind, dass die Funktion des Gerätes beeinträchtigt ist. Lassen Sie beschädigte Geräte vor dem Gebrauch reparieren.** Durch schlecht gewartete Geräte werden zahlreiche Unfälle verursacht.
- f. Halten Sie Schneidwerkzeuge scharf und sauber.** Sorgfältig gepflegte Schneidwerkzeuge mit scharfen Schneidkanten verklemmen sich weniger und sind leichter zu führen.
- g. Verwenden Sie Gerät, Zubehör, Einsätze usw. entsprechend diesen Anweisungen, und berücksichtigen Sie dabei die Arbeitsbedingungen und die auszuführende Arbeit.** Der Gebrauch von Geräten für andere als die vorgesehenen Anwendungen kann zu gefährlichen Situationen führen.
- 5. Service**
- a. Lassen Sie das Gerät nur von qualifiziertem Fachpersonal und nur mit Originalersatzteilen reparieren.** Damit wird gewährleistet, dass die Sicherheit des Gerätes erhalten bleibt.
- Zusätzliche Sicherheitswarnungen für das Gerät**
-  **Achtung!** Zusätzliche Sicherheitswarnungen für Stichsagen.
- ◆ **Halten Sie das Gerät an den isolierten Griffflächen, wenn Sie Arbeiten durchführen, bei denen das Schneidwerkzeug verdeckte Leitungen oder das eigene Kabel berühren kann.** Wenn das Schneidwerkzeug eine stromführende Leitung berührt, können offen liegende Metallteile am Gerät ebenfalls unter Strom gesetzt werden und beim Bediener einen Stromschlag verursachen.
 - ◆ **Fixieren Sie das Werkstück mit Zwingen oder ähnlichen Hilfsmitteln auf einer stabilen Oberfläche.** Wenn Sie das Werkstück nur mit den Händen oder gegen Ihren Körper halten, können Sie leicht die Kontrolle verlieren.
 - ◆ **Halten Sie Ihre Hände von der Schneidzone fern.** Greifen Sie niemals unter das zu schneidende Werkstück. Bringen Sie Finger und Daumen nicht in die Nähe des sich bewegenden Sägeblattes und dessen Klemme. Versuchen Sie nicht, die Säge zu stabilisieren, indem Sie diese am Sägeschuh festhalten.
 - ◆ **Halten Sie die Sägeblätter scharf.** Stumpfe oder beschädigte Sägeblätter können dazu führen, dass die Säge unter Druck blockiert oder ausbricht. Verwenden Sie immer ein für das jeweilige Werkstück und die Art des Schnittes geeignetes Sägeblatt.

- ◆ **Achten Sie beim Sägen von Rohren oder Leitungen darauf, dass diese frei von Wasser, Stromkabeln und Ähnlichem sind.**
- ◆ **Unmittelbar nach Gebrauch der Säge sollten Sie weder das Werkstück noch das Sägeblatt berühren.** Beides kann sehr heiß werden.
- ◆ **Achten Sie auch auf nicht sichtbare Gefahren, wenn Sie in Wände, Böden oder Decken sägen. Prüfen Sie diese Stellen auf dahinter liegende Kabel oder Rohre.**
- ◆ **Das Sägeblatt bewegt sich auch dann noch, wenn Sie den Schalter losgelassen haben.** Schalten Sie das Gerät vor dem Ablegen stets aus, und warten Sie, bis das Sägeblatt zum Stillstand gekommen ist.

Achtung! Die Berührung und das Einatmen von Stäuben, die beim Sägen von Materialien entstehen, können beim Bediener und bei Zuschauern gesundheitliche Schäden verursachen. Tragen Sie eine speziell für den Schutz vor Stäuben und Dämpfen vorgesehene Staubmaske, und stellen Sie sicher, dass auch andere Personen geschützt sind, die den Arbeitsplatz betreten oder sich dort aufhalten.

- ◆ Der vorgesehene Verwendungszweck ist in dieser Anleitung beschrieben. Die Verwendung von Zubehör oder Anbauteilen, die nicht in dieser Anleitung empfohlen sind, sowie die Bedienung des Geräts in Abweichung von den in dieser Anleitung beschriebenen Verfahren kann zu Verletzungen und/oder Sachschäden führen.

Sicherheit anderer Personen

- ◆ Dieses Gerät darf nicht von Personen (einschließlich Kindern) mit eingeschränkten körperlichen, sensorischen oder geistigen Fähigkeiten oder mangelnder Erfahrung und Wissen in Bezug auf dessen Gebrauch bedient werden, es sei denn, sie werden bei der Verwendung des Geräts von einer erfahrenen Person beaufsichtigt oder angeleitet.
- ◆ Kinder müssen beaufsichtigt werden, um sicherzustellen, dass sie nicht mit dem Gerät spielen.

Vibration

Die im Abschnitt „Technische Daten und Konformitätserklärung“ angegebenen Werte für die Vibrationsemission wurden mit einer Standard-Prüfmethode nach EN 60745 ermittelt und können zum Vergleich verschiedener Geräte herangezogen werden. Außerdem kann mit Hilfe dieses

Werts die Belastung bei Verwendung des Geräts schon im Voraus eingeschätzt werden.

Achtung! Die bei Verwendung des Geräts auftretende Vibrationsemission hängt von der Art des Gerätegebrauchs ab und kann dementsprechend vom angegebenen Wert abweichen. Gegebenenfalls kann die Vibration über dem angegebenen Wert liegen.

Mit Hilfe der ermittelten Werte der Vibrationsbelastung durch Elektrogeräte lassen sich Sicherheitsmaßnahmen festlegen, die gemäß 2002/44/EG zum Schutze von Personen bestimmt sind, die diese Geräte regelmäßig bei der Arbeit verwenden. Bei der Einschätzung der Vibrationsbelastung sollten die Gebrauchsumstände und die Art der Verwendung des Gerätes sowie alle Schritte des Arbeitszyklus berücksichtigt werden, wozu Ruhe-, Leerlauf- und Startzeiten gehören.

Warnsymbole am Gerät



Achtung! Lesen Sie vor Gebrauch die Anleitung durch. Andernfalls besteht Verletzungsgefahr.

Elektrische Sicherheit



Dieses Gerät ist schutzisoliert, daher ist keine Erdleitung erforderlich. Überprüfen Sie immer, ob die Netzspannung der auf dem Typenschild des Gerätes angegebenen Spannung entspricht.

- ◆ Ist das Netzkabel beschädigt, muss es durch den Hersteller oder eine Black & Decker Vertragswerkstatt ausgetauscht werden, um eine mögliche Gefährdung zu vermeiden.

Zusätzliche Sicherheitshinweise für nicht aufladbare Batterien

- ◆ Auf keinen Fall öffnen.
- ◆ Nicht bei Temperaturen über 40 °C lagern.
- ◆ Bei der Entsorgung von Batterien die Hinweise im Abschnitt „Umweltschutz“ beachten.
- ◆ Batterien nicht ins Feuer werfen.
- ◆ Unter extremen Bedingungen können Batterien undicht werden. Wenn Sie bemerken, dass Flüssigkeit austritt, gehen Sie folgendermaßen vor:
 - Wischen Sie die Flüssigkeit vorsichtig mit einem Tuch ab. Vermeiden Sie Hautkontakt.

Zusätzliche Sicherheitshinweise für Laserprodukte



Lesen Sie diese Anleitung vollständig und aufmerksam durch.



Das Gerät darf nicht von Personen unter 16 Jahren verwendet werden.



Laserstrahlung.



Blicken Sie nicht in den Laserstrahl.



Blicken Sie nicht unter Verwendung optischer Hilfsmittel in den Laserstrahl.

- ◆ Dieser Laser erfüllt die Richtlinien für Laserprodukte der Klasse 2 gemäß EN 60825-1:2007. Die Laserdiode des Gerätes darf nicht durch eine Diode anderen Typs ersetzt werden. Im Schadensfall darf der Laser nur durch eine autorisierte Vertragswerkstatt repariert werden.
- ◆ Der Laser darf ausschließlich zum Projizieren einer Laserlinie verwendet werden.
- ◆ Die Strahlung von Laserprodukten der Klasse 2 ist bei kurzzeitiger Einwirkungsdauer (bis zu 0,25 Sekunden) für das Auge ungefährlich. Eine längere Bestrahlung wird normalerweise durch den natürlichen Lidschlussreflex verhindert. Ab einer Entfernung von 1 m erfüllt der Laser die Bedingungen für Laserprodukte der Klasse 1 und ist somit vollständig ungefährlich.
- ◆ Sehen Sie nie direkt und absichtlich in den Laserstrahl.
- ◆ Blicken Sie nicht unter Verwendung optischer Hilfsmittel in den Laserstrahl.
- ◆ Halten Sie das Gerät niemals so, dass die Augen anderer Personen dem Laserstrahl ausgesetzt sind.
- ◆ Achten Sie darauf, dass sich Kinder nicht in der Nähe des Lasers aufhalten.

Merkmale

1. Regler für Hubzahl
2. Ein-/Ausschalter
3. Feststellknopf
4. Abdeckung des Aufbewahrungsfachs
5. Verriegelungshebel für Grundplatte
6. Staubabsaugöffnung
7. Grundplatte
8. Führungsrolle für Sägeblatt
9. Pendelhubzahlregler

Zusatzfunktionen (Abb. A)

Die Verfügbarkeit der Zusatzfunktionen ist abhängig vom jeweiligen Produkt. Die Zusatzfunktionen für die Katalognummer des erworbenen Geräts finden Sie in Abb. A.

Montage

Achtung! Vergewissern Sie sich vor Ausführung der folgenden Schritte, dass das Gerät ausgeschaltet und vom Stromnetz getrennt ist, und dass das Sägeblatt zum Stillstand gekommen ist. Nach Verwendung der Stichsäge kann das Sägeblatt heiß sein.

Einsetzen und Entfernen des Sägeblatts (Abb. B und C)

Achtung! Vergewissern Sie sich vor Ausführung der folgenden Schritte, dass das Gerät ausgeschaltet und vom Stromnetz getrennt ist, und dass das Sägeblatt zum Stillstand gekommen ist. Nach Verwendung der Stichsäge kann das Sägeblatt heiß sein.

Einsetzen des Sägeblatts (Abb. B)

- ◆ Halten Sie das Sägeblatt (10) wie gezeigt mit den Zähnen nach vorne.
- ◆ Drücken Sie die Sägeblattklemme (11) nach unten, und halten Sie sie gedrückt.
- ◆ Setzen Sie den Schaft des Sägeblatts in den Sägeblatthalter (12) ein, und drücken Sie das Sägeblatt bis zum Anschlag hinein.
- ◆ Lassen Sie die Sägeblattklemme (11) los.

Aufbewahrung der Sägeblätter (Abb. C)

Die Sägeblätter (10) können im Aufbewahrungsfach (4) seitlich am Gerät aufbewahrt werden.

- ◆ Öffnen Sie die Abdeckung des Aufbewahrungsfachs (4), indem Sie mit der Fingerspitze hinter die Lasche am oberen Rand der Abdeckung greifen und die Abdeckung nach vorne aufklappen.
- ◆ Die Sägeblätter werden im Aufbewahrungsfach durch einen Magnetstreifen fixiert. Um ein Sägeblatt zu entnehmen, drücken Sie es an einer Seite nach unten und heben die andere Seite an.
- ◆ Schließen Sie die Abdeckung des Aufbewahrungsfachs (4) wieder, und achten Sie darauf, dass sie eingerastet ist.

Achtung! Das Aufbewahrungsfach muss sicher verschlossen sein, bevor Sie die Säge in Betrieb nehmen.

Anschließen eines Staubsaugers (Abb. D)

Zum Anschließen eines Staubsaugers oder einer Absaugvorrichtung ist ein Staubsaugeradapter (13) erforderlich.

- ◆ Schieben Sie den Adapter (13) in die Staubabsaugöffnung (6).
- ◆ Schließen Sie den Schlauch des Staubsaugers (14) am Adapter (13) an.

Staubgebläse (Abb. E)

- ◆ Um jederzeit eine sichtbare Schnittlinie und ein sauberes Arbeitsumfeld während des Sägens zu haben, ist Ihre Stichsäge mit einem Staubgebläse (15) ausgestattet.

Restrisiken

Für den Gebrauch dieses Geräts verbleiben zusätzliche Restrisiken, die möglicherweise nicht in den Sicherheitswarnungen genannt werden. Diese Risiken bestehen beispielsweise bei Missbrauch oder Langerem Gebrauch.

Auch bei der Einhaltung der entsprechenden Sicherheitsvorschriften und der Verwendung aller Sicherheitsgeräte bestehen weiterhin bestimmte Restrisiken. Diese werden im Folgenden aufgeführt:

- ◆ Verletzungen, die durch das Berühren von sich drehenden/bewegenden Teilen verursacht werden.
- ◆ Verletzungen, die durch das Austauschen von Teilen, Messern oder Zubehör verursacht werden.
- ◆ Verletzungen, die durch längeren Gebrauch eines Geräts verursacht werden. Legen Sie bei Langerem Gebrauch regelmäßige Pausen ein.
- ◆ Beeinträchtigung des Gehörs.
- ◆ Gesundheitsrisiken durch das Einatmen von Staub beim Gebrauch des Geräts (Beispielsweise bei Holzarbeiten, insbesondere Eiche, Buche und Pressspan).

Gebrauch**Schwenken der Grundplatte für Gehrungsschnitte (Abb. F und G)**

Achtung! Betreiben Sie das Gerät nicht mit loser oder abgenommener Grundplatte. Die Grundplatte (7) kann nach links und rechts bis zu einem Winkel von 45° geschwenkt werden.

- ◆ Ziehen Sie den Verriegelungshebel für die Grundplatte (5) heraus, um die Grundplatte (7) aus der Null-Grad-Position zu lösen.
- ◆ Ziehen Sie die Grundplatte (7) nach vorn, und stellen Sie den gewünschten Gehrungswinkel ein (15°, 30° oder 45°), der im Fenster angezeigt wird.

- ◆ Drücken Sie den Verriegelungshebel für die Grundplatte (5) wieder zum Gerät hin, um die Grundplatte (7) zu verriegeln.

So bringen Sie die Grundplatte (7) wieder in die Position für gerade Schnitte:

- ◆ Ziehen Sie den Verriegelungshebel für die Grundplatte (5) heraus, um die Grundplatte (7) zu entriegeln.
- ◆ Schwenken Sie die Grundplatte (7) zurück in die Ausgangsstellung (Winkel von 0°), und schieben Sie sie nach hinten.
- ◆ Drücken Sie den Verriegelungshebel für die Grundplatte (5) wieder zum Gerät hin, um die Grundplatte (7) zu verriegeln.

Festlegen des Pendelhubes (Abb. H)

- ◆ Stellen Sie den Pendelhubregler (9) auf die gewünschte Position.
- ◆ Position 0: Metall, Aluminium und Bleche.
- ◆ Position I: für Laminat, Hartholz und Arbeitsplatten.
- ◆ Position II: für Sperrholz und PVC/Kunststoffe.
- ◆ Position III: für Weichholz und schnelle Schnitte.

Regler für Hubzahl

- ◆ Stellen Sie den Regler für die Hubzahl auf die gewünschte Geschwindigkeit ein.
- ◆ Wählen Sie für Holz eine hohe, für Aluminium und PVC eine mittlere und für andere Metalle eine niedrige Geschwindigkeit.

Ein- und Ausschalten

- ◆ Drücken Sie zum Einschalten des Gerätes den Ein-/Ausschalter (2).
- ◆ Lassen Sie zum Ausschalten des Gerätes den Ein-/Ausschalter (4) los.
- ◆ Drücken Sie für das Arbeiten im Dauerbetrieb den Feststellknopf (3) und lassen den Ein-/Ausschalter (2) los.
- ◆ Wenn sich das Gerät im Dauerbetrieb befindet, müssen Sie zum Ausschalten den Ein-/Ausschalter (2) drücken und loslassen.

Sägen

Halten Sie beim Sägen das Gerät mit beiden Händen fest. Die Grundplatte (7) sollte fest gegen das Werkstück gedrückt werden. Damit verhindern Sie ein Springen der Säge. Außerdem werden Vibrationen sowie das Bruchrisiko für das Sägeblatt verringert.

- ◆ Lassen Sie das Sägeblatt einige Sekunden frei schwingen, bevor Sie mit der Arbeit beginnen.
- ◆ Üben Sie beim Schneiden nicht zuviel Druck auf das Gerät aus.

Betrieb mit Laser (nur bei Gerätetyp „KS900EL“, Abb. I bis L)

Einsetzen der Batterien (Abb. I)

Nehmen Sie die Lasereinheit (17) von der Stichsäge ab. Drehen Sie dazu die Schraube (16) heraus, und ziehen Sie die Lasereinheit nach vorne ab. Setzen Sie zwei neue 1,5 VoltAlkalibatterien der Größe AAA (Micro) ein. Achten Sie auf die richtige Lage der positiven (+) und negativen (-) Anschlusspole. Bringen Sie die Lasereinheit (17) wieder an.

Seitliche Justierung des Lasers (Abb. J)

Hinweis: Der Laser unterstützt Sie beim Führen der Säge, garantiert aber keinen präzisen Schnitt. **Achtung!** Ziehen Sie vor der Justierung des Lasers den Netzstecker.

- ◆ Richten Sie bei Bedarf Laserlinie und Sägeblatt mithilfe der Laserjustierschraube (18) aus.

Eine Überhitzung kann dazu führen, dass die projizierte Laserlinie schwächer wird. Wird die Säge längere Zeit mit zu hoher Last betrieben, verschwindet die Linie möglicherweise ganz. Sie wird wieder sichtbar, wenn sich das Gerät abkühlt (auch bei ausgeschaltetem und vom Stromnetz getrenntem Gerät).

Achtung! Lassen Sie im Fall einer Überhitzung den Laser nicht eingeschaltet. Schalten Sie ihn aus, und nehmen Sie die Batterien heraus, um seine Stromversorgung zu unterbrechen.

Verwenden des Lasers (Abb. K - L)

Der Laser projiziert die Schnittlinie (21) auf die Oberfläche des Werkstücks.

- ◆ Zum Einschalten des Lasers drücken Sie die Taste (19).
- ◆ Zum Ausschalten des Lasers drücken Sie erneut die Taste (19).

Wenn Sie von oben auf die Stichsäge blicken, können Sie der Schnittlinie (21) problemlos folgen. Ist die Sicht auf die Schnittlinie verdeckt, können Sie den Laser als Hilfe zur Schnittführung verwenden.

- ◆ Markieren Sie die Schnittlinie (20) mit einem geeigneten Stift.
- ◆ Richten Sie die Stichsäge über der Linie (20) aus.
- ◆ Schalten Sie den Laser ein.

Hinweise für optimale Funktion

Sägen von Laminat

Beim Sägen von Laminat kann die sichtbare Oberfläche splintern. Der Schnittvorgang

der meisten Sägeblätter geschieht bei der Aufwärtsbewegung. Verwenden Sie deshalb, wenn sich die Grundplatte des Geräts auf der hochwertigen Oberfläche befindet, ein Sägeblatt, das bei der Abwärtsbewegung schneidet, oder:

- ◆ Verwenden Sie ein Sägeblatt mit feiner Zahnung.
- ◆ Drehen Sie das Werkstück um, und setzen Sie die Säge an der Unterseite an.
- ◆ Ausgefranzte Kanten und Absplitterungen können Sie auch vermeiden, indem Sie das zu sägende Werkstück zwischen zwei Holz- oder Pressspanplatten einspannen und dieses „Sandwich“ sägen.

Sägen von Metall

Beim Sägen von Metall erfolgt der Vorschub wesentlich langsamer als bei Werkstücken aus Holz.

- ◆ Verwenden Sie ein Sägeblatt, das zum Sägen von Metall geeignet ist.
- ◆ Spannen Sie dünne Metallbleche zum Sägen auf eine Holz- oder Pressspanplatte.
- ◆ Bringen Sie einen dünnen Ölfilm entlang der beabsichtigten Schnittlinie auf.

Wartung

Ihr Black & Decker Gerät wurde im Hinblick auf eine lange Lebensdauer und einen möglichst geringen Wartungsaufwand entwickelt. Ein dauerhafter, einwandfreier Betrieb setzt eine regelmäßige Pflege und Reinigung voraus.

- ◆ Reinigen Sie regelmäßig die Lüftungsschlitze des Geräts mit Hilfe einer weichen Bürste oder eines trockenen Tuchs.
- ◆ Reinigen Sie regelmäßig das Motorgehäuse mit Hilfe eines feuchten Tuchs. Verwenden Sie keine scheuernden Reinigungsmittel oder Reinigungsmittel auf Lösungsmittelbasis. Achten Sie darauf, dass keine Flüssigkeit in das Gerät gelangt. Tauchen Sie kein Teil des Gerätes in Flüssigkeit ein.

Umweltschutz



Getrennte Entsorgung. Dieses Produkt darf keinesfalls mit dem Hausmüll entsorgt werden.

Sollten Sie Ihr Black & Decker Produkt eines Tages ersetzen oder nicht mehr benötigen, entsorgen Sie es nicht mit dem Hausmüll, sondern führen Sie das Produkt einer getrennten Sammlung zu.



Durch die separate Sammlung von ausgedienten Produkten und Verpackungsmaterialien können Rohstoffe recycelt und wiederverwendet werden. Die Wiederverwendung aufbereiteter Materialien trägt zur Vermeidung der Umweltverschmutzung bei und senkt den Rohstoffbedarf.

Die Verordnung zur Abfallentsorgung Ihrer Gemeinde sieht möglicherweise vor, dass Elektrogeräte getrennt vom Hausmüll gesammelt, an der örtlichen Abfallentsorgungseinrichtung abgegeben oder beim Kauf eines neuen Produkts vom Fachhandel zur Entsorgung angenommen werden müssen.

Black & Decker nimmt Ihre ausgedienten Black & Decker Geräte gern zurück und sorgt für eine umweltfreundliche Entsorgung bzw. Wiederverwertung. Um diese Dienstleistung in Anspruch zu nehmen, geben Sie das Gerät bitte bei einer autorisierten Reparaturwerkstatt ab, die für uns die Einsammlung übernimmt.

Die Adresse der zuständigen Niederlassung von Black & Decker steht in dieser Anleitung. Diese teilt Ihnen gerne die nächstgelegene Vertragswerkstatt mit. Außerdem ist eine Liste der Vertragswerkstätten und aller Kundendienststellen von Black & Decker sowie der zuständigen Ansprechpartner im Internet zu finden unter: www.2helpU.com.

Batterien



Denken Sie bei der Entsorgung von verbrauchten Akkus an unsere Umwelt.

- ◆ Achten Sie darauf, dass die Akkukontakte nicht kurzgeschlossen werden.
- ◆ Werfen Sie Akkus nicht in ein Feuer, da dies Verletzungen oder eine Explosion zur Folge haben kann.
- ◆ Entladen Sie den Akku vollständig, und entfernen Sie ihn dann aus dem Gerät.
- ◆ Akkus können recycelt werden. Verpacken Sie die Akkus in einem geeigneten Behälter, sodass die Akkukontakte nicht kurzgeschlossen werden können. Bringen Sie die Akkus zu einer autorisierten Vertragswerkstatt oder zu einer Rücknahmestelle in Ihrer Nähe.

Technische Daten

	KS900E TYPE1	KS900EL TYPE1
Spannung	V _{AC} 230	
Aufnahmeleistung	W 600	
Leerlaufdrehzahl	min ⁻¹ 800-3000	
maximale Schnitttiefe		
Holz	mm 85	
Stahl	mm 5	
Aluminium	mm 15	
Gewicht	kg 2,36	
(mit Laser)	kg 2,66	

Schalldruckpegel gemäß EN 60745:
 L_{PA} (Schalldruck) 87 dB(A), Unsicherheitsfaktor (K) 3 dB(A), L_{WA} (Schalleistung) 98 dB(A), Unsicherheitsfaktor (K) 3 dB(A)

Gesamtvibration (Triax-Vektorsumme) gemäß EN 60745:
 Holzschneiden ($a_{h,CW}$) 10,5 m/s², Unsicherheitsfaktor (K) 1,5 m/s², Metallschneiden ($a_{h,CM}$) 14,5 m/s², Unsicherheitsfaktor (K) 1,5 m/s²

EU-Konformitätserklärung RICHTLINIE FÜR MASCHINEN



KS900E, KS900EL

Black & Decker erklärt, dass die unter „Technische Daten“ beschriebenen Produkte den folgenden Normen entsprechen: 2006/42/EC, EN60745-1, EN60745-2-11

Weitere Informationen erhalten Sie von Black & Decker unter der folgenden Adresse bzw. mithilfe der Angaben auf der Rückseite dieser Anleitung.

Der Unterzeichnete ist verantwortlich für die Zusammenstellung der technischen Daten und gibt diese Erklärung im Namen von Black & Decker ab.

Kevin Hewitt
 Vice-President
 Global Engineering
 Black & Decker Europe,
 210 Bath Road, Slough,
 Berkshire, SL1 3YD
 Vereinigtes Königreich
 10.02.2010

Garantie

Black & Decker vertraut auf die Qualität der eigenen Geräte und bietet dem Käufer eine außergewöhnliche Garantie. Diese Garantiezusage versteht sich unbeschadet der gesetzlichen Gewährleistungsansprüche und schränkt diese keinesfalls ein. Sie gilt in sämtlichen Mitgliedstaaten der Europäischen Union und der Europäischen Freihandelszone EFTA.

Tritt innerhalb von 24 Monaten ab Kaufdatum an einem Gerät von Black & Decker ein auf Material- oder Verarbeitungsfehler zurückzuführender Mangel auf, garantiert Black & Decker den Austausch defekter Teile, die Reparatur von Geräten mit üblichem Verschleiß bzw. den Austausch eines mangelhaften Gerätes, ohne dass dem Kunden dabei mehr als unvermeidlich Unannehmlichkeiten entstehen, allerdings vorbehaltlich folgender Ausnahmen:

- ◆ wenn das Gerät gewerblich, beruflich oder im Verleihgeschäft benutzt wurde;
- ◆ wenn das Gerät missbräuchlich verwendet oder mit mangelnder Sorgfalt behandelt wurde;
- ◆ wenn das Gerät durch irgendwelche Fremdeinwirkung beschädigt wurde;
- ◆ wenn ein unbefugter Reparaturversuch durch anderes Personal als das einer Vertragswerkstatt oder des Black & Decker Kundendienstes unternommen wurde.

Zur Inanspruchnahme dieser Garantie ist dem Verkäufer bzw. der Vertragswerkstatt ein Kaufnachweis vorzulegen. Die Adresse der zuständigen Niederlassung von Black & Decker steht in dieser Anleitung. Diese teilt Ihnen gerne die nächstgelegene Vertragswerkstatt mit. Außerdem ist eine Liste der Vertragswerkstätten und aller Kundendienststellen von Black & Decker sowie der zuständigen Ansprechpartner im Internet zu finden unter: **www.2helpU.com**

Bitte besuchen Sie unsere Webseite **www.blackanddecker.de**, um Ihr neues Black & Decker-Produkt zu registrieren und über neue Produkte und Sonderangebote informiert zu werden. Weitere Informationen über die Marke Black & Decker und unsere Produkte finden Sie unter **www.blackanddecker.de**.

Utilisation

Votre scie Black & Decker a été spécialement conçue pour scier du bois, du métal et du plastique. Cet outil a été conçu pour une utilisation exclusivement domestique.

Consignes de sécurité

Consignes de sécurité concernant les outils électroportatifs



Attention! Lisez avec attention tous les avertissements et toutes les instructions. Le non-respect de cette consigne peut entraîner une électrocution, un incendie et/ou de graves blessures.

Conservez tous les avertissements et instructions pour référence ultérieure.

La notion de « outil électroportatif » mentionnée par la suite se rapporte à des outils électriques raccordés au secteur (avec câble de raccordement) ou fonctionnant avec batterie (sans fil).

1. **Sécurité de la zone de travail**
 - a. **Maintenez la zone de travail propre et bien éclairée.** Un lieu de travail en désordre ou mal éclairé augmente le risque d'accidents.
 - b. **N'utilisez pas les outils électroportatifs dans un environnement présentant des risques d'explosion ni en présence de liquides, gaz ou poussières inflammables.** Les outils électroportatifs génèrent des étincelles risquant d'enflammer les poussières ou les vapeurs.
 - c. **Pendant l'utilisation d'un outil électroportatif, les enfants et autres personnes doivent rester éloignés.** En cas d'inattention, vous risquez de perdre le contrôle de l'outil.
 2. **Sécurité électrique**
 - a. **La prise de l'outil électroportatif doit convenir à la prise de courant. Ne modifiez en aucun cas la prise. N'utilisez pas de prises d'adaptateur avec des appareils ayant une prise de terre.** Le respect de ces consignes réduit le risque de choc électrique.
 - b. **Évitez le contact physique avec des surfaces mises à la terre telles que tuyaux, radiateurs, fours et réfrigérateurs.** Le risque de choc électrique augmente si votre corps est relié à la terre.
 - c. **N'exposez pas l'outil électroportatif à la pluie ni à l'humidité.** La pénétration d'eau dans un outil électroportatif augmente le risque de choc électrique.
 - d. **Préservez le câble d'alimentation. N'utilisez pas le câble pour porter l'outil, pour l'accrocher ou encore pour le débrancher. Maintenez le câble éloigné des sources de chaleurs, des parties huilées, des bords tranchants ou des parties de l'appareil en rotation.** Le risque de choc électrique augmente si les câbles sont endommagés ou emmêlés.
 - e. **Si vous utilisez l'outil électroportatif à l'extérieur, utilisez une rallonge homologuée pour utilisation à l'air libre.** L'utilisation d'une rallonge électrique homologuée pour les travaux à l'extérieur réduit le risque de choc électrique.
 - f. **Si l'outil doit être utilisé dans un endroit humide, prenez les précautions nécessaires en utilisant un dispositif à courant résiduel (RCD).** L'utilisation d'un tel dispositif réduit les risques d'électrocution.
3. **Sécurité personnelle**
 - a. **Restez vigilant, surveillez ce que vous faites. Faites preuve de bon sens quand vous utilisez un outil électroportatif. N'utilisez pas l'outil lorsque vous êtes fatigué ou après avoir consommé de l'alcool ainsi que des médicaments.** Un moment d'inattention lors de l'utilisation de l'outil peut entraîner de graves blessures.
 - b. **Portez un équipement de protection. Portez toujours des lunettes de protection.** Selon le travail à effectuer, le port d'équipement de protection tels que masque anti-poussières, chaussures de sécurité antidérapantes, casque ou protection auditive, réduit le risque de blessures.
 - c. **Évitez un démarrage imprévu. L'appareil doit être en position OFF (arrêt) avant d'effectuer le branchement à l'alimentation et/ou au bloc-batterie, de le ramasser ou de le porter.** Ne laissez pas votre doigt sur le bouton de commande, ceci peut être à l'origine d'accidents.
 - d. **Retirez tout outil ou clé de réglage avant de mettre l'outil en marche.** Une clé ou un outil se trouvant sur une partie en rotation peut causer des blessures.
 - e. **Adoptez une position confortable. Adoptez une position stable et gardez votre équilibre en permanence.** Vous contrôlerez ainsi mieux l'outil dans des situations inattendues.

- f. **Portez des vêtements appropriés. Ne pas porter de vêtements flottants ou de bijoux. N'approchez pas les cheveux, vêtements ou gants des parties des pièces mobiles.** Les vêtements amples, les bijoux ou les cheveux longs peuvent être attrapés dans les pièces en mouvement.
- g. **En cas d'utilisation d'appareils servant à aspirer ou à recueillir les poussières, assurez-vous qu'ils sont correctement raccordés et utilisés.** L'utilisation de tels appareils permet de réduire les dangers liés aux poussières.
4. **Utilisation des outils électroportatifs et précautions**
- a. **Respectez la capacité de l'outil. Utilisez l'outil électroportatif approprié pour le travail à effectuer.** Avec un outil approprié, vous travaillerez mieux et en toute sécurité.
- b. **N'utilisez pas un outil électroportatif dont l'interrupteur marche/arrêt est défectueux.** Un outil électroportatif qui ne peut plus être mis en marche ou arrêté est dangereux et doit être réparé.
- c. **Retirez la prise de courant et/ou débranchez le blocbatterie avant d'effectuer des réglages, de changer les accessoires ou de ranger l'outil.** Cette mesure de précaution empêche de mettre l'outil en marche accidentellement.
- d. **Rangez les outils électroportatifs hors de portée des enfants. Les personnes ne connaissant pas l'outil ou n'ayant pas lu ces instructions ne doivent en aucun cas l'utiliser.** Les outils électroportatifs sont dangereux lorsqu'ils sont utilisés par des personnes non initiées.
- e. **Prenez soin des outils électroportatifs. Vérifiez que les parties en mouvement fonctionnent correctement et qu'elles ne sont pas coincées. Vérifiez qu'il n'y a pas de pièces cassées ou endommagées susceptibles de nuire au bon fonctionnement de l'outil. S'il est endommagé, faites réparer l'outil avant de l'utiliser.** De nombreux accidents sont la conséquence d'outils mal entretenus.
- f. **Maintenez les outils de coupe aiguisés et propres.** Des outils soigneusement entretenus avec des bords tranchants bien aiguisés se coincent moins souvent et peuvent être guidés plus facilement.
- g. **Utilisez les outils électroportatifs, les accessoires, etc. en suivant ces**

instructions et en tenant compte des conditions de travail, ainsi que du travail à effectuer. L'utilisation des outils électroportatifs à d'autres fins que celles prévues peut vous mettre en situation dangereuse.

5. Réparations

- a. **Faites réparer votre outil électroportatif uniquement par du personnel qualifié et seulement avec des pièces de rechange d'origine.** La fiabilité de l'outil sera ainsi garantie.

Consignes de sécurité supplémentaires concernant les outils électroportatifs



Attention! Consignes de sécurité supplémentaires pour scies sauteuses.

- ♦ **Pour les découpes, tenez l'outil au niveau des surfaces de prise isolées. En effet, la lame risque de toucher un câblage caché ou le cordon d'alimentation de l'outil.** En touchant un fil sous tension, la charge électrique est transmise dans les parties métalliques de l'outil et il y a risque de choc électrique.
- ♦ **Utilisez des pinces ou autres pour fixer et soutenir la pièce de manière stable.** Si vous la tenez à la main ou contre votre corps, elle ne sera pas stable et vous pouvez en perdre le contrôle.
- ♦ **Éloignez vos mains des zones de découpe.** Ne cherchez jamais à atteindre la pièce à découper par dessous. Ne passez pas vos doigts ou pouces à proximité de la fixation de la lame et de la lame en mouvement. Ne cherchez pas à stabiliser la scie en attrapant la semelle.
- ♦ **Les lames doivent toujours être aiguisées.** Les lames émoussées ou endommagées peuvent faire déraiper ou bloquer la scie pendant le fonctionnement. Utilisez toujours le type approprié de lame correspondant au matériau de la pièce à couper.
- ♦ **Avant de couper un tuyau ou une conduite, assurez-vous qu'il n'y a ni eau, ni fil électrique, etc. autour.**
- ♦ **Ne touchez pas la pièce coupée ou la lame immédiatement après avoir utilisé l'outil.** Elles peuvent être très chaudes.
- ♦ **Prenez garde aux dangers cachés. Avant de couper des murs, des plachers ou des plafonds, vérifiez l'emplacement des câblages et tuyaux.**

- ◆ **Le mouvement de la lame continue après avoir relâché le bouton.** Après avoir arrêté la scie, attendez que la lame se stabilise complètement avant de poser l'outil.

Attention! Tout contact ou inhalation de poussières pendant la coupe peut représenter un danger pour la santé de l'opérateur ainsi, qu'éventuellement, des personnes autour. Portez un masque contre la poussière spécialement conçu pour vous protéger des sciures et des fumées toxiques et veillez à ce que les personnes se trouvant à l'intérieur de la zone de travail ou y pénétrant soient également protégées.

- ◆ Ce manuel d'instruction décrit comment utiliser cet appareil. L'utilisation d'un accessoire ou d'une fixation, ou bien l'utilisation de cet appareil à d'autres fins que celles recommandées dans ce manuel d'instruction peut entraîner des blessures et/ou des dommages matériels.

Sécurité pour autrui

- ◆ Cet outil ne peut être utilisé par des personnes (y compris des enfants) ayant des capacités mentales, sensorielles ou physiques réduites, ou celles manquant d'expérience et de connaissances, à moins qu'elles ne soient encadrées ou qu'elles n'aient été formées à l'utilisation de l'outil par une personne responsable de leur sécurité.
- ◆ Ne laissez jamais les enfants sans surveillance pour éviter qu'ils ne jouent avec cet outil.

Vibration

La valeur d'émission de vibration déclarée dans la section Déclaration/Données techniques de conformité a été mesurée selon une méthode d'essai standard fournie par la norme EN 60745 et peut être utilisée pour comparer un outil à un autre. Elle peut aussi être utilisée pour une évaluation préliminaire à l'exposition.

Attention! Selon la manière dont l'outil est utilisé, la valeur d'émission de vibration pendant l'utilisation en cours de l'outil peut être différente de la valeur déclarée. Le niveau de vibration peut augmenter au-dessus du niveau établi.

Quand l'exposition aux vibrations est évaluée afin de déterminer les mesures de sécurité requises par la norme 2002/44/EC pour protéger les personnes utilisant régulièrement des outils électroportatifs, une estimation de l'exposition aux vibrations doit tenir compte des conditions actuelles d'utilisation et de la manière dont l'outil

est utilisé. Il faut aussi tenir compte de toutes les pièces du cycle de fonctionnement comme la durée pendant laquelle l'outil est arrêté et quand il fonctionne au ralenti, ainsi que la durée dudéclenchement.

Étiquettes sur les outils



Attention! Pour réduire le risque de blessures, l'utilisateur doit lire les instructions du manuel.

Sécurité électrique



Cet outil est doublement isolé; par conséquent, aucun câble de masse n'est nécessaire. Vérifiez si l'alimentation mentionnée sur la plaque signalétique de l'appareil correspond bien à la tension présente sur le lieu.

- ◆ Si le câble d'alimentation est endommagé, il doit être remplacé par le fabricant ou par un centre de réparation agréé Black & Decker pour éviter tout risque.

Consignes de sécurité supplémentaires pour piles nonrechargeables

- ◆ En aucun cas, n'essayez d'ouvrir l'appareil.
- ◆ Ne le rangez pas dans des endroits où la température peut dépasser 40 °C.
- ◆ Pour jeter les batteries, suivez les instructions données dans la section « Protection de l'environnement ».
- ◆ Ne jetez pas les piles au feu.
- ◆ Dans des conditions extrêmes, une pile peut couler. Si vous repérez des traces de liquide sur les piles, effectuez ce qui suit :
 - Avec un chiffon, essuyez le liquide en prenant toutes les précautions nécessaires. Éviter tout contact avec la peau.

Consignes de sécurité supplémentaires pour utilisation du laser



Lisez attentivement le manuel complet.



Cet appareil ne doit pas être utilisé par des enfants de moins de 16 ans.



Rayonnement laser.



Ne jamais regarder le faisceau à l'oeil nu.



Ne jamais utiliser d'instrument d'optique pour regarder le faisceau.

- ◆ Ce laser est conforme aux normes de sécurité EN 60825-1:2007 de classe 2. Ne jamais remplacer une diode laser par une diode d'un type différent. Si le laser est endommagé, faites le réparer par un réparateur agréé.
- ◆ N'utilisez jamais le laser à des fins autres que la projection de raies laser.
- ◆ La vision directe du rayon laser de classe 2 n'est pas considérée comme dangereuse jusqu'à 0,25 secondes. La protection de l'oeil est normalement assurée par le réflexe de clignement. À plus de 1m, le rayonnement laser correspond au laser de classe 1 et ne présente aucun risque.
- ◆ Ne jamais regarder directement et volontairement le rayon laser.
- ◆ Ne jamais utiliser d'instrument d'optique pour regarder le faisceau.
- ◆ Installez l'outil en prenant soin d'éviter que le rayon laser ne puisse atteindre personne à la hauteur de la tête.
- ◆ Ne laissez pas les enfants approcher du laser.

Options

1. Bouton de commande de variation de vitesse
2. Manette marche/arrêt
3. Bouton de verrouillage
4. Couvercle du boîtier de rangement des lames
5. Levier de verrouillage de semelle
6. Sortie de refoulement de poussière
7. Semelle
8. Rouleau de support de lame
9. Sélecteur de balancier

Options supplémentaires (figure A)

Des options supplémentaires peuvent exister en fonction de l'appareil acheté. Ces options accompagnées du numéro de catalogue sont représentées dans la figure A.

Assemblage

Attention! Avant d'exécuter ce qui suit, assurez-vous que l'appareil est éteint, débranché et que la lame n'est plus en mouvement. Les lames, après utilisation, peuvent être chaudes.

Mise en place et retrait de la lame de scie (figure B et C)

Attention! Avant d'exécuter ce qui suit, assurez-vous que l'appareil est éteint, débranché et que la lame n'est plus en mouvement. Les lames, après utilisation, peuvent être chaudes.

Mise en place de la lame (figure B)

- ◆ Maintenez la lame (10) comme indiqué, avec les dents orientées vers l'avant.

- ◆ Poussez et maintenez la fixation de lame (11).
- ◆ Insérez la tige de la lame dans le support de lame (12) le plus loin possible.
- ◆ Relâchez la fixation de lame (11).

Rangement de la lame (figure C)

Les lames de scie (10) peuvent être rangées dans le boîtier de rangement (4) sur le côté de l'outil.

- ◆ Ouvrez le couvercle du boîtier de rangement (4) en poussant la patte sur le haut du couvercle vers l'extérieur.
- ◆ Les lames sont maintenues dans le compartiment par une bande magnétique. Appuyez sur une extrémité de la lame pour soulever l'autre extrémité et la retirer.
- ◆ Fermez le couvercle du boîtier de rangement (4) et vérifiez le verrouillage.

Attention! Fermez correctement le couvercle avant d'utiliser la scie.

Raccordement d'un aspirateur à l'outil (figure D)

Il faut un adaptateur (13) pour connecter l'aspirateur ou le récupérateur de poussière à l'outil.

- ◆ Poussez l'adaptateur (13) dans la sortie de refoulement de poussière (6).
- ◆ Raccordez le tuyau d'aspirateur (14) à l'adaptateur (13).

Soufflante (figure E)

- ◆ Pour que la visibilité soit toujours parfaite pendant la coupe, votre scie est équipée d'une soufflante (15) qui évacue la poussière de la zone de travail tout en sciant.

Risques résiduels

L'utilisation d'un outil non mentionné dans les consignes de sécurité données peut entraîner des risques résiduels supplémentaires. Ces risques peuvent survenir si l'outil est mal utilisé, si l'utilisation est prolongée, etc.

Malgré l'application des normes de sécurité correspondantes et la présence de dispositifs de sécurité, les risques résiduels suivants ne peuvent être évités. Ceci comprend :

- ◆ Les blessures dues au contact avec une pièce mobile/en rotation.
- ◆ Les blessures causées en changeant des pièces, lames ou accessoires.
- ◆ Les blessures dues à l'utilisation prolongée d'un outil. Une utilisation prolongée de l'outil nécessite des pauses régulières.
- ◆ Déficience auditive.
- ◆ Risques pour la santé causés par l'inhalation de poussières produites pendant l'utilisation

de l'outil (exemple : travail avec du bois, surtout le chêne, le Hère et les panneaux en MDF).

Utilisation

Réglage de semelle pour coupe en biais (figure F et G)

Attention! N'utilisez jamais l'outil sans la semelle, ou si celle-ci est desserrée.

La semelle (7) peut être réglée pour un angle de biseau gauche ou droit allant jusqu'à 45°.

- ◆ Tirez le levier de verrouillage de la semelle (5) vers l'extérieur pour déverrouiller la semelle (7) de la position 0°.
- ◆ Tirez la semelle (7) vers l'avant et réglez le biseau sur 15°, 30° et 45° comme indiqué.
- ◆ Repoussez le levier de verrouillage (5) vers la scie pour verrouiller la semelle (7).

Pour remettre la semelle (7) en position de coupe droite:

- ◆ Tirez le levier de verrouillage (5) vers l'extérieur pour déverrouiller la semelle (7).
- ◆ Installez la semelle (7) dans un angle d'environ 0°, puis poussez-la vers l'arrière.
- ◆ Repoussez le levier de verrouillage (5) vers la scie pour verrouiller la semelle (7).

Réglage du balancier (figure H)

- ◆ Sélectionnez la position requise sur le sélecteur de balancier (9).
- ◆ Position **0** : métal et aluminium et tôle.
- ◆ Position **I** : aggloméré, bois dur, plans de travail.
- ◆ Position **II** : contreplaqué et plastique/PVC.
- ◆ Position **III** : bois tendre et coupe rapide.

Commande de variation de vitesse

- ◆ Réglez le bouton de commande de variation de vitesse (1) à la vitesse désirée.
- ◆ La vitesse rapide correspond à la coupe du bois, la vitesse moyenne à la coupe de l'aluminium et du PVC et la faible vitesse à la coupe des métaux autres que l'aluminium.

Démarrer et arrêter

- ◆ Pour mettre l'outil en marche, appuyez sur le bouton marche/arrêt (2).
- ◆ Pour arrêter l'outil, relâchez le bouton marche/arrêt (2).
- ◆ Pour une coupe continue, appuyez sur le bouton de verrouillage (3) et relâchez le bouton marche/arrêt (2).
- ◆ Pour arrêter l'outil pendant une coupe continue, appuyez puis relâchez le bouton marche/arrêt (2).

Scier

Tenez fermement l'outil avec les deux mains pendant la découpe. La semelle (7) doit s'appuyer fermement contre la pièce à découper. Ceci permet d'éviter les sursauts de la scie, de réduire les vibrations et de diminuer la casse des lames.

- ◆ Laissez la lame fonctionner librement pendant quelques secondes avant de commencer la découpe.
- ◆ N'appliquez qu'une légère pression sur l'outil pendant la découpe.

Utilisation du laser (figure I - L)(référence KS900EL uniquement)

Installation des piles (figure I)

Dévissez la vis (16) et retirez le module laser (17) en le tirant vers l'avant. Insérez dans le bon sens, (+) et (-), les deux nouvelles piles 1,5 V AAA. Refixez le module laser (17).

Réglage du laser (figure J)

Remarque: le laser facilite le travail de coupe mais ne garantit pas la précision.

Attention! N'ajustez pas le laser avec la scie sauteuse branchée.

- ◆ Utilisez la vis de réglage (18) sur le module laser pour aligner la ligne laser avec la lame, si nécessaire.

Le laser sera moins visible en cas de surchauffe de la scie. Le laser peut être invisible si la scie est en surcharge pendant une période prolongée. Il réapparaît progressivement quand l'outil refroidit, même quand l'outil est débranché.

Attention! Ne pas laisser un laser surchauffé en marche. Assurez-vous que l'interrupteur est en position OFF (arrêt) et retirez les piles pour ne plus alimenter le laser.

Fonctionnement du laser (figure K - L)

Le laser projette la ligne de coupe (21) sur la surface de la pièce.

- ◆ Pour mettre le laser en marche, appuyez sur le bouton (19).
- ◆ Pour arrêter le laser, appuyez de nouveau sur le bouton (19).

En regardant directement au-dessus de la scie, il est facile de suivre la ligne de coupe (21). Si, pour une raison quelconque le rayon n'est pas visible, le laser peut être utilisé comme guide de coupe auxiliaire.

- ◆ Utilisez un crayon pour repérer la ligne de coupe (20).
- ◆ Positionnez la scie sur la ligne (20).
- ◆ Mettez en marche le laser.

Conseils pour une utilisation optimale

Coupe de contreplaqué

Les éclats dus à la découpe du contreplaqué, peuvent endommager la surface apparente. La plupart des lames coupent en montant. Si la semelle est posée sur la surface apparente, utilisez une lame qui coupe en descendant ou:

- ◆ Utilisez une lame à dents fines.
- ◆ Sciez à partir de l'arrière de la pièce.
- ◆ Pour limiter les éclats, serrez un morceau de bois ou de panneau dur des deux côtés de la pièce et sciez à travers cette épaisseur.

Coupe du métal

Scier du métal prend beaucoup plus de temps que de scier du bois.

- ◆ Utilisez une lame adaptée à la coupe de métal.
- ◆ Pour couper une fine épaisseur de métal, serrez une pièce de bois à l'arrière de la pièce à couper et sciez à travers l'épaisseur.
- ◆ Appliquez un filet d'huile le long de la ligne de coupe.

Entretien

Votre outil Black & Decker a été conçu pour fonctionner pendant longtemps avec un minimum d'entretien. Un fonctionnement continu satisfaisant dépend d'un nettoyage régulier et d'un entretien approprié de l'outil.

- ◆ Nettoyez régulièrement les orifices de ventilation de votre outil à l'aide d'une brosse souple ou d'un chiffon sec.
- ◆ Nettoyez régulièrement le compartiment du moteur à l'aide d'un chiffon humide. N'utilisez pas de produit abrasif ou à base de solvant. Évitez toute pénétration de liquide dans l'outil et ne plongez aucune pièce dans du liquide.

Protection de l'environnement



Recyclage. Cet appareil ne doit pas être jeté avec les déchets ménagers.

Si votre appareil Black & Decker doit être remplacé ou si vous n'en avez plus l'usage, ne le jetez pas avec les ordures ménagères. Songez à la protection de l'environnement et recyclez-les.



La collecte séparée des produits et des emballages usagés permet de recycler et de réutiliser des matériaux. La réutilisation de matériaux recyclés évite la pollution de l'environnement et réduit la demande de matières premières.

Des réglementations locales peuvent stipuler la collecte séparée des produits électriques et des produits ménagers, dans des déchetteries municipales ou par le revendeur lorsque vous achetez un nouveau produit.

Black & Decker offre une solution permettant de recycler les produits Black & Decker lorsqu'ils ont atteint la fin de leur cycle de vie. Pour pouvoir profiter de ce service, veuillez retourner votre produit à un réparateur agréé qui se chargera de le collecter pour nous.

Pour connaître l'adresse du réparateur agréé le plus proche de chez vous, contactez le bureau Black & Decker à l'adresse indiquée dans ce manuel. Vous pourrez aussi trouver une liste de réparateurs agréés de Black & Decker et de plus amples détails concernant notre service après-vente sur le site Internet : www.2helpU.com.

Batteries



Quand les batteries sont hors d'usage, jetez-les en respectant les normes de protection de l'environnement.

- ◆ Ne court-circuitez pas les bornes de la batterie.
- ◆ Ne jetez pas la ou les batteries dans le feu, elles pourraient exploser ou être à l'origine d'un risque de blessure.
- ◆ Déchargez complètement la batterie, puis retirez-la de l'appareil.
- ◆ Les batteries sont recyclables. Placez la ou les batteries dans un emballage approprié pour éviter un court-circuit des bornes. Déposez-les chez un technicien d'entretien agréé ou dans un centre de recyclage local.

Caractéristiques techniques

	KS900E TYPE 1	KS900EL TYPE 1
Tension	V c.a.	230
Puissance nominale	W	600
Aucune vitesse		
de charge	min ⁻¹	800-3000
Profondeur maximum de coupe		
Bois	mm	85
Acier	mm	5
Aluminium	mm	15
Poids	kg	2,36
(avec laser)	kg	2,66

Niveau de pression sonore selon la norme
EN 60745 :

L_{pA} (pression sonore) 87 dB(A), incertitude (K)
3 dB(A), L_{WA} (puissance acoustique) 98 dB(A),
incertitude (K) 3 dB(A)

Valeurs totales des vibrations (somme vectorielle
triaxiale) selon la norme EN 60745 :

Coupe, bois ($a_{h,CW}$) 10,5 m/s², incertitude
(K) 1,5 m/s², Coupe, métal ($a_{h,CM}$) 14,5 m/s²,
incertitude (K) 1,5 m/s²

Déclaration de conformité CE

DIRECTIVES DE MACHINERIE



KS900E, KS900EL

Black & Decker déclare que les produits décrits
sur la fiche technique sont conformes à la norme :
2006/42/EC, EN60745-1, EN60745-2-11.

Pour plus de renseignements, veuillez contacter
Black & Decker à l'adresse suivante ou reportez-
vous au dos du manuel.

Le soussigné est responsable des données de la
fiche technique et fait cette déclaration au nom de
Black & Decker

Kevin Hewitt
Vice-President
Global Engineering
Black & Decker Europe,
210 Bath Road, Slough,
Berkshire, SL1 3YD
Royaume-Uni
10-02-2010

Garantie

Black & Decker vous assure la qualité de ses
produits et vous offre une garantie très étendue.
Ce certificat de garantie est un document
supplémentaire et ne peut en aucun cas se
substituer à vos droits légaux. La garantie est
valable sur tout le territoire des États Membres
de l'Union Européenne et de la Zone de Libre
Échange Européenne.

Si un produit Black & Decker s'avère défectueux
en raison de matériaux en mauvais état, d'une
erreur humaine, ou d'un manque de conformité
dans les 24 mois suivant la date d'achat,
Black & Decker garantit le remplacement des
pièces défectueuses, la réparation des produits
usés ou cassés ou remplace ces produits à la
convenance du client, sauf dans les circonstances
suivantes:

- ◆ Le produit a été utilisé dans un but
commercial, professionnel, ou a été loué.
- ◆ Le produit a été mal utilisé ou avec
négligence.
- ◆ Le produit a subi des dommages à cause
de corps étrangers, de substances ou
d'accidents.
- ◆ Des réparations ont été tentées par des
techniciens ne faisant pas partie du service
technique de Black & Decker.

Pour avoir recours à la garantie, il est nécessaire
de fournir une preuve d'achat au vendeur ou à un
réparateur agréé. Pour connaître l'adresse du
réparateur agréé le plus proche de chez vous,
contactez le bureau Black & Decker à l'adresse
indiquée dans ce manuel. Vous pourrez aussi
trouver une liste de réparateurs agréés de
Black & Decker et de plus amples détails sur notre
service après-vente sur le site Internet à l'adresse
suivante : **www.2helpU.com**

Visitez notre site Web

www.blackanddecker.fr pour enregistrer votre
nouveau produit Black & Decker et être informé
des nouveaux produits et des offres spéciales.
Pour plus d'informations concernant la marque
Black & Decker et notre gamme de produits,
consultez notre site **www.blackanddecker.fr**.

Použití výrobku

Vaše přímočará pila Black & Decker je určena k řezání dřeva, plastů a kovových obrobků. Tento výrobek je určen pouze pro spotřebitelské použití.

Bezpečnostní pokyny

Všeobecné bezpečnostní pokyny pro práci s elektrickým nářadím



Varování! Pozorně si přečtete veškerá bezpečnostní varování a pokyny. Nedodržení uvedených pokynů může způsobit úraz elektrickým proudem, vznik požáru nebo jiné vážné zranění.

Veškerá bezpečnostní varování a pokyny uschovejte pro případné další použití.

Označení "elektrické nářadí" ve všech níže uvedených upozorněních odkazuje na vaše nářadí napájené ze sítě (obsahuje napájecí přívodní šňůru) nebo nářadí napájené z akumulátoru (bez napájecího kabelu).

1. Bezpečnost v pracovním prostoru

- a. **Udržujte pracovní prostor v čistotě a dobře osvětlený.** Nepořádek na pracovišti a nedostatečné osvětlení pracovního prostoru může vést ke vzniku nehody.
- b. **S elektrickým nářadím nepracujte ve výbušných prostorách, jako jsou například prostory s výskytem hořlavých kapalin, plynů nebo prашných látek.** Nářadí je zdrojem jiskření, které může zapálit prach nebo výpary.
- c. **Při práci s elektrickým nářadím dbejte na to, aby se k tomuto nářadí nepřibližovaly děti a okolo stojící osoby.** Rozptylování může způsobit ztrátu kontroly nad nářadím.

2. Elektrická bezpečnost

- a. **Zástrčka napájecího kabelu nářadí musí odpovídat zásuvce. Zástrčku nikdy žádným způsobem neupravujte. U nářadí chráněného zemněním nepoužívejte jakékoliv redukce zástrček.** Neupravené zástrčky a odpovídající zásuvky snižují riziko vzniku úrazu elektrickým proudem.
- b. **Vyvarujte se dotyku s uzemněnými plochami jako jsou potrubí, radiátory, sporáky a ledničky.** Při uzemnění vašeho těla vzniká riziko úrazu elektrickým proudem.
- c. **Nevystavujte elektrické nářadí dešti nebo vlhkému prostředí.** Pokud do nářadí vnikne voda, zvýší se riziko úrazu elektrickým proudem.

- d. **S napájecím kabelem zacházejte opatrně. Nikdy nepoužívejte napájecí kabel k přenášení nářadí, k jeho posouvání a při odpojování nářadí od elektrické sítě za něj netahejte. Zabraňte kontaktu kabelu s mastnými, horkými a ostrými předměty a pohyblivými částmi nářadí.** Poškozený nebo zapletený přívodní kabel zvyšuje riziko úrazu elektrickým proudem.
- e. **Při práci s nářadím venku používejte prodlužovací kabely určené pro venkovní použití.** Použití kabelu pro venkovní použití snižuje riziko úrazu elektrickým proudem. Použití kabelu pro venkovní použití snižuje riziko úrazu elektrickým proudem.
- f. **Při práci s elektrickým nářadím ve vlhkém prostředí je nezbytně nutné použít v napájecím okruhu proudový chránič (RCD).** Použití proudového chrániče RCD snižuje riziko úrazu elektrickým proudem.

3. Bezpečnost osob

- a. **Zůstaňte stále pozorní, sledujte, co provádíte a při práci s elektrickým nářadím pracujte s rozvahou. S nářadím nepracujte, pokud jste unavení nebo pokud jste pod vlivem omamných látek, alkoholu nebo léků.** Chvilka nepozornosti při práci s nářadím může vést k vážnému úrazu.
- b. **Používejte prvky osobní ochrany. Vždy používejte ochranu zraku.** Ochranné prostředky, jako jsou respirátor, neklouzavá pracovní obuv, přilba nebo chrániče sluchu, snižují riziko poranění osob.
- c. **Zabraňte náhodnému spuštění. Před připojením ke zdroji napětí nebo před vložením akumulátoru, zvednutím nebo přenášením nářadí zkontrolujte, zda je hlavní spínač vypnutý.** Přenášení nářadí s prstem na hlavním spínači nebo připojení napájecího kabelu k elektrické síti, je-li hlavní spínač nářadí v poloze zapnuto, může způsobit úraz.
- d. **Před spuštěním nářadí se vždy ujistěte, zda nejsou v jeho blízkosti klíče nebo seřizovací přípravky.** Ponechané seřizovací klíče mohou být zachyceny rotujícími částmi nářadí a mohou způsobit úraz.
- e. **Nepřekázejte sami sobě. Při práci vždy udržujte vhodný a pevný postoj.** To umožní lepší ovladatelnost nářadí v neočekávaných situacích.
- f. **Vhodně se oblékejte. Nenoste volné šatstvo nebo šperky. Vaše vlasy, oděv a rukavice držte z dosahu pohyblivých**

částí. Volný oděv, šperky nebo dlouhé vlasy mohou být pohyblivými díly zachyceny.

- g. Pokud je zařízení vybaveno adaptérem pro připojení zařízení k zachytávání prachu, zajistěte jeho správné připojení a řádnou funkci.** Použití těchto zařízení může snížit nebezpečí týkající se prachu.

4. Provoz a údržba elektrického nářadí

- a. Nářadí nepřetěžujte. Používejte správný typ nářadí pro vaši práci.** Při použití správného typu nářadí bude práce provedena lépe a bezpečněji.
- b. Pokud nelze hlavní spínač nářadí zapnout a vypnout, s nářadím nepracujte.** Elektrické nářadí, které nemůže být ovládáno hlavním spínačem je nebezpečné a musí být opraveno.
- c. Před výměnou jakýchkoliv částí, příslušenství či jiných připojených součástí, před prováděním servisu nebo pokud nářadí nepoužíváte, odpojte je od elektrické sítě nebo vyjměte akumulátor.** Taková preventivní bezpečnostní opatření snižují riziko náhodného spuštění nářadí.
- d. Pokud nářadí nepoužíváte, uložte je mimo dosah dětí a zabraňte osobám neobeznámených s obsluhou nářadí nebo s tímto návodem, aby s nářadím pracovali.** Elektrické nářadí je v rukou nekvalifikované obsluhy nebezpečné.
- e. Údržba nářadí. Zkontrolujte vychýlení či zaseknutí pohyblivých částí, poškození jednotlivých dílů a jiné okolnosti, jež mohou mít vliv na chod nářadí. Pokud je nářadí poškozeno, nechejte jej před použitím opravit.** Mnoho nehod bývá způsobeno zanedbanou údržbou nářadí.
- f. Řezné nástroje udržujte ostré a čisté.** Řádně udržované řezné nástroje s ostrými řeznými břity jsou méně náchylné k zanášení nečistotami a jsou lépe ovladatelné.
- g. Nářadí, příslušenství a držáky nástrojů používejte podle těchto pokynů a způsobem určeným daným typem nářadí, berte v úvahu provozní podmínky a práci, kterou je nutné vykonat.** Použití nářadí k jiným účelům, než k jakým je určeno, může být nebezpečné.

5. Opravy

- a. Opravy elektrického nářadí svěřte kvalifikovanému technikovi, jež používá shodné náhradní díly.** Tím zajistíte bezpečný provoz nářadí.

Doplňkové bezpečnostní pokyny pro práci s elektrickým nářadím



Varování! Doplnkové bezpečnostní pokyny pro práci s přímočarými pilami.

- ♦ **Při pracovních operacích, u kterých by mohlo dojít ke kontaktu se skrytými vodiči nebo s vlastním napájecím kabelem, držte elektrické nářadí vždy za izolované rukojeti.** Při kontaktu pracovního příslušenství s „živým“ vodičem mohou neizolované kovové části elektrického nářadí způsobit obsluhu úraz elektrickým proudem.
 - ♦ **Obrobek si k pevné podložce upněte pomocí svorek či jiným vhodným způsobem.** Přichycení obrobku rukou nebo k tělu je nestabilní a může vést ke ztrátě kontroly.
 - ♦ **Ruce držte mimo oblast řezání.** Nikdy z jakéhokoliv důvodu nesahejte pod řezaný materiál. Nezasahujte prsty nebo palcem do blízkosti pilového listu a upínadla pilového listu. Nezpevňujte pilu uchopením za patku.
 - ♦ **Řezné čepel udržujte ostré.** Otupené nebo poškozené čepel mohou způsobit během přítlaku odchýlení nebo zaseknutí pily. Vždy používejte vhodný pilový list pro daný typ opracovávaného materiálu a daný typ řezu.
 - ♦ **Při řezání potrubí nebo elektroinstalačních koryt se ujistěte, zda jimi neprotéká voda či nevede elektrická kabeláž apod.**
 - ♦ **Okamžitě po skončení řezu se nedotýkejte obrobku ani pilového listu.** Mohou být velmi rozpálené.
 - ♦ **Před prováděním řezů do zdí, podlah a stropů si buďte vědomi skrytých rizik, předem zkontrolujte, kudy je nataženo potrubí a elektrické vedení.**
 - ♦ **Po uvolnění spínače se čepel ještě chvíli pohybuje.** Před odložením pily vždy vypněte a počkejte, až se pilový list zcela zastaví.
- Varování!** Pobyt v prašném prostředí a vdechnutí prachu při řezání může ohrozit zdraví obsluhy nářadí a okolo stojících osob. Používejte masku proti prachu určenou speciálně na ochranu před toxickým prachem a podobnými zplodinami a zajistěte, aby byly takto chráněny všechny osoby nacházející se nebo vstupující do pracovního prostoru.
- ♦ V tomto návodu je popsáno správné použití nářadí. Použití jakéhokoliv jiného příslušenství nebo přídatných zařízení, nebo provádění jakéhokoliv jiného využití tohoto přístroje, než je popsáno v tomto návodu k použití, může mít

za následek riziko poranění osob nebo škody na majetku.

Bezpečnost ostatních osob

- ♦ Toto zařízení není určeno k použití osobami (včetně dětí) se sníženými fyzickými, smyslovými nebo duševními schopnostmi, nebo nedostatkem zkušeností a znalostí, pokud těmto osobám nebyl stanoven dohled, nebo pokud jim nebyly poskytnuty instrukce týkající se použití zařízení osobou zodpovědnou za jejich bezpečnost.
- ♦ Děti by měly být pod dozorem, aby si s nářadím nehrály.

Vibrace

Deklarovaná úroveň vibrací uvedená v technických údajích a v prohlášení o shodě byla měřena v souladu se standardní zkušební metodou předepsanou normou EN 60745 a může být použita ke srovnání jednotlivých nářadí mezi sebou. Deklarovaná úroveň vibrací může být také použita k předběžnému stanovení doby práce s tímto výrobkem.

Varování! Úroveň vibrací při aktuálním použití elektrického nářadí se může od deklarované úrovně vibrací lišit v závislosti na způsobu použití výrobku. Úroveň vibrací může být oproti uvedené hodnotě vyšší.

Při stanovení vystavení se vibracím k určení bezpečnostních opatření podle normy 2002/44/EC k ochraně osob pravidelně používajících elektrické nářadí v zaměstnání by měl předběžný odhad působení vibrací brát na zřetel aktuální podmínky použití nářadí s přihlédnutím na všechny části pracovního cyklu, jako doby, při které je nářadí vypnuto a kdy běží naprázdno.

Štítky na nářadí



Varování! Ke snížení rizika vzniku úrazu musí být obsluha obeznámena s tímto návodem k obsluze.

Elektrická bezpečnost



Toto nářadí je chráněno dvojitou izolací; proto není nutné použití zemnicího vodiče. Vždy zkontrolujte, zda napájecí napětí zdroje odpovídá velikosti napětí uvedené na výkonovém štítku přístroje.

- ♦ V případě poškození napájecího kabelu musí být tento z bezpečnostních důvodů vyměněn výrobcem nebo v autorizovaném servisním středisku Black & Decker.

Další bezpečnostní pokyny týkající se standardních, nedobíjených baterií

- ♦ Nikdy se nepokoušejte baterie rozebrat.
- ♦ Neskladujte tyto baterie na místech, kde může teplota překročit 40°C.
- ♦ Při likvidaci baterií dodržujte pokyny uvedené v části „Ochrana životního prostředí“.
- ♦ Nevhazujte baterie do ohně a nespalujte je.
- ♦ V extrémních podmínkách může docházet k únikům z baterií. Zjistíte-li na povrchu baterie přítomnost kapaliny, postupujte následovně:
 - Opatrně kapalinu setřete pomocí hadříku. Dbejte na to, aby nedošlo ke kontaktu kapaliny s pokožkou.

Další bezpečnostní pokyny týkající se laserů



Přečtěte si pečlivě celý tento návod.



Tento výrobek není určen pro osoby mladší 16 let.



Laserové záření.



Nedívejte se do laserového paprsku.



Ke sledování laserového paprsku nepoužívejte optické přístroje.

- ♦ Tento laser odpovídá třídě 2 podle EN 60825-1:2007. Laserovou diodu nezaměňujte za jiný typ. Dojde-li k poruše, svěřte opravu přístroje autorizovanému servisu.
- ♦ Nepoužívejte laser k jiným účelům, než je projekce laserových paprsků.
- ♦ Vystavení zraku působení laserového paprsku třídy 2 je považováno za bezpečné v případě, nepřesáhne-li tato doba 0,25 sekundy. Reflexy očních víček běžně poskytují dostatečnou ochranu. Ve vzdálenosti větší než 1 m odpovídá tento laser třídě 1 a proto je považován za zcela bezpečný.
- ♦ Nikdy se do laserového paprsku nedívejte záměrně a přímo.
- ♦ Ke sledování laserového paprsku nepoužívejte optické přístroje.
- ♦ Neprovádějte nastavení přístroje do takové výšky, aby mohl laserový paprsek procházet přes osoby ve výšce jejich hlav.
- ♦ Nedovolte dětem, aby se přibližovaly do blízkosti laseru.

Popis

1. Regulátor otáček
2. Hlavní spínač
3. Zajišťovací tlačítko
4. Úložný prostor na pilové listy
5. Blokovací páčka patky pily
6. Výstupní otvor odsávání
7. Patka pily
8. Vodící kladka pilového listu
9. Volič kyvadlového pohybu

Doplňující funkce (obr. A)

Doplňující funkce jsou k dispozici podle typu zakoupeného výrobku. Doplnující funkce, které lze využít, jsou zobrazeny podle katalogového čísla na obr. A.

Montáž

Varování! Před prováděním níže uvedených operací zkontrolujte, zda je nářadí vypnuto a odpojeno od sítě a zda se list pily nepohybuje. Použití pilové listy mohou být horké.

Nasazení a sejmutí pilového listu (obr. B a C)

Varování! Před prováděním níže uvedených operací zkontrolujte, zda je nářadí vypnuto a odpojeno od sítě a zda se list pily nepohybuje. Použití pilové listy mohou být horké.

Montáž pilového listu (obr. B)

- ◆ Uchopte pilový list (10) podle nákresu tak, aby jeho zuby směřovaly dopředu.
- ◆ Stlače dolů a přidrže svorku pilového listu (11).
- ◆ Zasuňte upínací stopku pilového listu co nejdále do držáku pilového listu (12).
- ◆ Svorku pilového listu (11) uvolněte.

Uložení pilového listu (obr. C)

Pilové listy (10) lze uschovat v úložném prostoru (4) po boční straně nářadí.

- ◆ Kryt úložného prostoru pilových listů (4) otevřete tak, že uchopíte výstupek nacházející se na horní straně krytu a vytáhnete jej směrem ven.
- ◆ Pilové listy jsou v úložném prostoru uchyceny pomocí magnetického pásku. Pilový list vyjmete stisknutím jednoho konce pilového listu, čímž dojde ke zvednutí jeho druhého konce a pilový list může být vyjmut.
- ◆ Uzavřete kryt úložného prostoru na pilové listy (4) a ujistěte se, zda západky zacvakly.

Varování! Před spuštěním pily se ujistěte, zda je kryt úložného prostoru řádně uzavřen.

Připojení vysavače k nářadí (obr. D)

Pro připojení vysavače nebo odsavače prachu k nářadí musí být použit adaptér (13).

- ◆ Adapter (13) pro odsávání prachu připojte k výstupnímu otvoru pro odsávání (6).
- ◆ K adapteru (13) připojte hadici vysavače (14).

Dmychadlo řezné linie (obr. E)

- ◆ Ke zlepšení viditelnosti při řezání je vaše pila vybavena dmychadlem (15), které ofukováním místa řezu zajistí čistotu pracovní oblasti při provádění řezu.

Zbytková rizika

Je-li používáno nářadí, které není popisováno v přiložených bezpečnostních varováních, mohou se objevit dodatečná zbytková rizika. Tato rizika mohou vzniknout v důsledku nesprávného použití, dlouhodobého použití atd.

Přestože jsou dodržovány příslušné bezpečnostní předpisy a jsou používána bezpečnostní zařízení, určitá zbytková rizika nemohou být vyloučena.

Tato rizika jsou následující:

- ◆ Zranění způsobená kontaktem s jakoukoli rotující nebo pohybující se částí.
- ◆ Zranění způsobená při výměně dílů, pracovního nástroje nebo příslušenství.
- ◆ Zranění způsobená dlouhodobým použitím nářadí. Používáte-li jakékoli nářadí delší dobu, zajistěte, aby byly prováděny pravidelné přestávky.
- ◆ Poškození sluchu.
- ◆ Zdravotní rizika způsobená vdechováním prachu vytvářeného při použití nářadí (příklad: - práce se dřevem, zejména s dubovým, bukovým a MDF).

Použití

Nastavení patky pily k provádění pokosových řezů (obr. F a G)

Varování! Nářadí nepoužívejte v případě, že je patka pily uvolněna nebo odmontována. Patku pily (7) je možné naklonit vlevo či vpravo až o 45°.

- ◆ Vysuňte zajišťovací páčku patky pily (5) směrem ven tak, aby došlo k uvolnění patky pily (7) z polohy 0°.
- ◆ Patku pily (7) vytáhněte dopředu a nastavte požadovaný sklon 15°, 30° a 45° zobrazený v okénku nastavení pokosu.
- ◆ Blokovací páčku patky pily (5) zasuňte zpět směrem k pile tak, aby se patka pily (7) zajistila.

Srovnání patky pily (7) pro provádění rovných řezů:

- ◆ Blokovací páčku patky pily (5) vysuňte směrem ven tak, aby se patka pily (7) odjistila.
- ◆ Patku pily (7) nastavte na úhel 0° a zasuňte ji zpět.
- ◆ Blokovací páčku patky pily (5) zasuňte zpět směrem k pile tak, aby se patka pily (7) zajistila.

Nastavení kyvadlového pohybu (obr. H)

- ◆ Nastavte volič kyvadlového pohybu (9) do požadované polohy.
- ◆ Poloha 0: kov, hliník a ocelový plech.
- ◆ Poloha I: vrstvené desky, hobra, plochy stolu.
- ◆ Poloha II: překližka a PVC/plasty.
- ◆ Poloha III: měkké dřevo a rychlé provádění řezů.

Regulace otáček

- ◆ Nastavte regulátor otáček (1) do polohy, která bude odpovídat požadovaným otáčkám.
- ◆ Vysokou rychlost použijte k řezání dřeva, střední rychlost k řezání hliníku a PVC a nízkou rychlost k řezání kovů vyjma hliníku.

Zapnutí a vypnutí

- ◆ Chcete-li pilu zapnout, stiskněte hlavní spínač (2).
- ◆ Chcete-li nářadí vypnout, uvolněte hlavní spínač (2).
- ◆ Nepřetržitý chod nářadí zajistíte stisknutím zajišťovacího tlačítka (3) a uvolněním stisku hlavního spínače (2).
- ◆ Nářadí běžící v nepřetržitém chodu vypnete stiskem a uvolněním hlavního spínače (2).

Řezání

Během řezání držte pilu pevně oběma rukama. Patka pily (7) by měla být pevně přitlačena k řezanému obrobku. Tím se napomůže ochraně před odskočením pily, sníží se vibrace a minimalizuje se možnost zlomení pilového listu.

- ◆ Před započatím řezu nechejte pár vteřin kmitat pilový list naprázdno.
- ◆ Při provádění řezu tlačte na nářadí jen lehce.

Práce s laserem (obr. I - L) (pouze pro model KS900EL)

Instalace baterií (obr. I)

Laserový modul (17) odpojte od pily vyjmutím šroubu (16) a následným vytažením laserového modulu směrem vpřed. Vložte dvě nové alkalické baterie 1,5 V typu AAA tak, aby správně odpovídaly póly (+) a (-). Laserový modul (17) nasadte zpět.

Srovnání laserového paprsku (obr. J)

Poznámka: Laser je určen jako pomocný prostředek pro vedení řezu a nezaručuje absolutně přesné provedení řezu.

Varování! Nastavování laseru neprovádějte, pokud je pila připojena k elektrické síti.

- ◆ Podle potřeby pomocí stavitelného šroubu nastavení laseru (18) stanovte směr laserového paprsku s patkou pily.

Viditelnost laseru (výkon) je snížena, pokud je pila přehřátá. Laserový paprsek nemusí být viditelný, pokud pila pracuje delší dobu přetížena. Viditelnost laserového paprsku se vrátí na normální úroveň během chladnutí pily i po odpojení pily od elektrické sítě.

Varování! Neponechávejte přehřátý laser v poloze zapnuto (ON). Ujistěte se, zda je spínač v poloze vypnuto (OFF) a vyjměte baterie, aby se přerušilo napájení laseru.

Použití laseru (obr. K - L)

Laser promítá linii řezu (21) na povrch obrobku.

- ◆ Chcete-li laser zapnout, stiskněte tlačítko (19).
- ◆ Chcete-li laser vypnout, stiskněte znovu tlačítko (19).

Sledováním vyznačené linie (21) přímo shora pily můžete snadno provést vlastní řez. Pokud by tomuto sledování bylo z jakéhokoliv důvodu zabráněno, je možné jako alternativu pro vedení řezu použít laserovou linii.

- ◆ Tužkou si vyznačte linii řezu (20).
- ◆ Pilu si umístěte nad vyznačenou linii (20).
- ◆ Zapněte laser.

Užitečné rady pro práci s nářadím

Řezání vrstvených materiálů

Při řezání vrstvených desek mohou vznikat otřepy, které povrch desky znehodnotí. Nejpoužívanější pilové listy provádějí řez při zdvihu směrem vzhůru, proto, pokud je patka pily přitlačena na lícovou stranu desky, použijte pilový list, který řeze směrem dolů, nebo:

- ◆ Použijte pilový listy s jemnými zuby.
- ◆ Provádějte řezání ze zadní strany obrobku.
- ◆ Chcete-li omezit štípání materiálu, sevřete obrobek z obou stran pomocí kousků dřeva nebo sololitu a provádějte řez přes celou tuto sestavu.

Řezání kovu

Pamatujte si, že řezání kovu trvá mnohem déle než řezání dřeva.

- ◆ Používejte pilový list vhodný pro řezání kovu.

- ◆ Při řezání tenkých plechů připevňte ke spodní straně obrobku kousek dřeva a provádějte řez přes celou sestavu.
- ◆ Naneste na požadovanou čáru řezu olejový film.

Údržba

Vaše nářadí Black & Decker bylo zkonstruováno tak, aby Vám sloužilo po dlouhou dobu s minimálními nároky na údržbu. Předpokladem dlouhodobé bezproblémové funkce nářadí je jeho pravidelné čištění a údržba.

- ◆ Pravidelně čistěte ventilační otvory vašeho nářadí pomocí měkkého kartáče nebo suchého hadříku.
- ◆ Pravidelně čistěte kryt motoru vlhkým hadříkem. Nepoužívejte k čištění abrazivní prostředky ani rozpouštědla. Zabraňte vniknutí jakékoliv kapaliny do útrobní nářadí a nikdy neponořujte jakoukoliv část nářadí do kapaliny.

Výměna síťové zástrčky (pouze pro Velkou Británii a Irsko)

Budete-li instalovat novou zástrčku napájecího kabelu:

- ◆ Bezpečně odstraňte starou zástrčku.
- ◆ Připojte hnědý vodič k fázové svorce nové zástrčky.
- ◆ Modrý vodič připojte k nulové svorce.

Varování! K uzemňovací svorce nesmí být připojen žádný vodič. Dodržujte montážní pokyny dodávané s kvalitními zástrčkami. Doporučená pojistka: 5 A.

Ochrana životního prostředí



Tříděný odpad. Tento výrobek nesmí být likvidován spolu s běžným komunálním odpadem.

Jednoho dne zjistíte, že Váš výrobek Black & Decker musíte vyměnit nebo jej nebudete dále používat. V tomto případě nesmí být zlikvidován v běžném domovním odpadu. Zlikvidujte tento přístroj ve tříděném odpadu.



Tříděný odpad umožňuje recyklaci a opětovné využití použitých výrobků a obalových materiálů. Opětovné použití recyklovaných materiálů pomáhá chránit životní prostředí před znečištěním a snižuje spotřebu surovin.

Při zakoupení nových výrobků Vám prodejny, místní sběrný odpadů nebo recyklační stanice

poskytnou informace o správné likvidaci elektroodpadů z domácnosti.

Také společnost Black & Decker poskytuje možnost sběru použitých výrobků nebo jejich recyklaci. Chcete-li získat výhody této služby, odevzdejte prosím vaše nářadí jakémukoliv autorizovanému servisu, který nářadí odebere a zajistí jeho recyklaci.

Místo vaší nejbližší autorizované servisní pobočky Black & Decker se dozvíte na příslušné adrese uvedené na zadní straně této příručky. Seznam autorizovaných středisek Black & Decker a všechny podrobnosti týkající se poprodejního servisu naleznete také na internetové adrese: **www.2helpU.com**

Akumulátory



Po ukončení provozní životnosti baterií provádějte jejich likvidaci tak, aby nedošlo k ohrožení životního prostředí:

- ◆ Nezkratujte kontakty baterie.
- ◆ Nevhazujte baterie do ohně, protože by mohlo dojít k zranění osob nebo k výbuchu baterie.
- ◆ Zapněte nářadí, nechte baterii zcela vybit a potom ji vyjměte z nářadí.
- ◆ Baterie mohou být recyklovány. Umístěte baterie do vhodného obalu, abyste zabránili zkratování kontaktů baterií. Odevzdejte baterie v jakémkoli autorizovaném servisu nebo v místním sběrném dvoře.

Technické údaje

	KS900E TYP 1	KS900EL TYP 1
Napájecí napětí	V _{AC} 230	
Jmenovitý příkon	W 600	
Otáčky naprázdno	min ⁻¹ 800-3000	
Max. hloubka řezu		
Dřevo	mm 85	
Ocel	mm 5	
Hliník	mm 15	
Hmotnost	kg 2,36	
(s laserem)	kg 2,66	

Hladina akustického tlaku podle normy EN 60745: L_{PA} (akustický tlak) 87 dB(A), odchylka (K) 3 dB(A), L_{WA} (akustický výkon) 98 dB(A), odchylka (K) 3 dB(A)

Celková úroveň vibrací (prostorový vektorový součet) podle normy EN 60745:

Řezání dřeva (a_{h,CW}) 10,5 m/s², odchylka (K) 1,5 m/s², Řezání kovu (a_{h,CM}) 14,5 m/s², odchylka (K) 1,5 ms⁻²

ES Prohlášení o shodě
SMĚRNICE PRO STROJNÍ ZAŘÍZENÍ



KS900E, KS900EL

Společnost Black & Decker prohlašuje, že tyto produkty popisované v technických údajích splňují požadavky následujících norem: 2006/42/EC, EN60745-1, EN60745-2-11

Chcete-li získat další informace, kontaktujte prosím společnost Black & Decker na následující adrese nebo na adresách, které jsou uvedeny na konci tohoto návodu.

Níže podepsaná osoba je odpovědná za sestavení technických údajů a provádí toto prohlášení v zastoupení společnosti Black & Decker.

Kevin Hewitt
Viceprezident pro
spotřebitelskou techniku
Black & Decker Europe,
210 Bath Road, Slough,
Berkshire, SL1 3YD
Velká Británie
10-02-2010

Požadujete-li reklamaci, budete muset prodejci nebo autorizovanému servisu předložit doklad o zakoupení výrobku. Místo nejbližšího autorizovaného servisu Black & Decker naleznete na příslušné adrese uvedené v tomto návodu. Seznam autorizovaných servisů Black & Decker a podrobnosti o poprodejním servisu naleznete také na internetové adrese: **www.2helpU.com**

Navštivte prosím naši webovou stránku **www.blackanddecker.co.uk**, kde můžete zaregistrovat váš nový výrobek Black & Decker a kde naleznete všechny informace o nových výrobcích a speciální nabídky. Další informace o značce Black & Decker a o celé řadě našich dalších výrobků naleznete na adrese **www.blackanddecker.co.uk**

Záruka

Společnost Black & Decker je přesvědčena o kvalitě svých výrobků a nabízí mimořádnou záruku. Tato záruka je nabízena ve prospěch zákazníka a nijak neovlivní jeho zákonná záruční práva. Tato záruka platí ve všech členských státech EU a v evropské zóně volného obchodu EFTA.

Objeví-li se na výrobku Black & Decker, v průběhu 24 měsíců od zakoupení, jakékoli materiálové či výrobní vady, garantujeme ve snaze o minimalizování vašich starostí bezplatnou výměnu vadných dílů, opravu nebo výměnu celého výrobku za níže uvedených podmínek:

- ◆ Výrobek nebyl používán pro obchodní nebo profesionální účely a nedocházelo k jeho pronájmu.
- ◆ Výrobek nebyl vystaven nesprávnému použití a nebyla zanedbána jeho předepsaná údržba.
- ◆ Výrobek nebyl poškozen cizím zaviněním.
- ◆ Opravy nebyly prováděny jinými osobami, než autorizovanými opraváři nebo mechaniky autorizovaného servisu Black & Decker.

Rendeltetésszerű használat

Szívből gratulálunk új Black & Decker Dekopírfűrészéhez. Ezt a készüléket fa, műanyagok, és fémlemezek vágására terveztük. A fűrész iparszerű felhasználásra nem alkalmas.

Biztonságtechnikai előírások

Általános biztonságtechnikai előírások



Figyelem! Figyelmesen olvassa el a kezelési útmutatót a gép üzembe helyezése előtt. Elektromos szerszám használatakor mindig tartsa be az alábbi alapvető biztonsági rendszabályokat, így elkerülheti a tűzveszélyt, az elektromos áramütést, a személyi sérülések és az anyag károsodásának lehetőségét.

Kérjük, gondosan őrizze meg a kezelési útmutatót, hogy a későbbiekben is bármikor utánanézhessen a géppel kapcsolatos összes információknak.

Mielőtt bármilyen beállítást változtat a gépen, vagy karbantartási munkába kezd, mindig csatlakoztassa le a készüléket a hálózati áramforrásról.

1. Munkaterület

- Tartsa rendben és világítsa meg munkahelyét.** A zsúfolt, rendetlen munkaterület növeli a balesetveszélyt. Gondoskodjon a munkaterület megfelelő megvilágításáról.
- Ne használja a készüléket robbanás és tűzveszélyes helyeken, például gyúlékony folyadékok és gázok közelében.** Elektromos kéziszerszámok használatakor szikra keletkezhet, mely begyűjthetja a port vagy gázt.
- Tartsa távol a gyerekeket.** Gondoskodjon arról, hogy gyereket, más személyek vagy állatok ne közelíthessék meg a munkaterületet, ne érinthessék meg a készüléket és a hálózati kábelt, továbbá elvonhatják figyelmét a készülék irányításáról.

2. Elektromos biztonság

- A készülék csatlakozódugójának illeszkednie kell a dugaszoló aljzathoz. Soha ne változtasson a csatlakozódugón. Soha ne használjon semmilyen adaptert földelt készülékekkel.** Az eredeti csatlakozódugó és a megfelelő dugaszoló aljzat használatával jelentősen csökkenthető az elektromos áramütés kockázata.

- Kerülje az érintkezést fémekkel (például csövek, radiátorok, tűzhelyek és hűtőszekrények).** Viseljen gumitalpú cipőt. Extrém munkakörülmények között (pl.: magas páratartalom, fémpor keletkezése esetén) az elektromos biztonság növelhető egy leválasztó transzformátor vagy hibaáram-védelmi kapcsoló előkapcsolásán keresztül
- Legyen figyelmes a környezeti behatásokra.** Ne hagyja szabadban a gépet, óvja az esőtől. Ne használja nyirkos, nedves környezetben.
- Bánjon gondosan a kábellel. Soha ne a kábelnél fogva vigye a gépet, és kérjük, ne a kábelnél fogva húzza ki a csatlakozódugót a konnektorból. Tartsa távol a kábelt éles szélektől, védje olajtól és hőtől. Minden használat előtt ellenőrizze a kábel állapotát, és ne indítsa be a gépet, ha a kábel sérült.** Sérült vagy összetekeredett hálózati kábel használata jelentősen növelheti az elektromos áramütés kockázatát.
- A szabadban kizárólag csak az arra jóváhagyott és jelöléssel ellátott hosszabbító kábelt szabad használni.** Használat előtt ellenőrizze a hosszabbító kábelt és cserélje le, ha sérült. Teljesítmény csökkenés nélkül max. 30m hosszú, kéteres Black & Decker hosszabbító kábelt használhat.
- Ha elkerülhetetlen a készülék nedves környezetben való használata, használjon egy leválasztó transzformátort vagy hibaáram-védelmi kapcsolót.** Extrém munkakörülmények között (pl.: magas páratartalom, fémpor keletkezése esetén) az elektromos biztonság növelhető egy leválasztó transzformátor vagy hibaáram-védelmi kapcsoló előkapcsolásán keresztül

3. Személy védelem

- Figyeljen munkájára. Figyeljen mindig arra, amit tesz. Használja az összes érzékszervét. Ne használja a készüléket, ha fáradt, vagy ha hallucinogén anyag, alkohol vagy gyógyszeres befolyásolás alatt áll.** Elektromos kéziszerszám használatakor pillanatnyi figyelmetlenség is súlyos baleset előidézője lehet.
- Viseljen védőfelszerelést. Mindig viseljen védőszemüveget.** Használjon arc vagy pormaszkot, ha az elvégzendő munka nagy porral, vagy lepattanó részekkel járhat. Ügyeljen a hallásvédelemre is.

- c. **Ne hagyja felügyelet nélkül bekapcsolva a gépet.** Győződjön meg róla, hogy az üzemi kapcsoló kikapcsoló állapotban van, mielőtt az áramforrásra csatlakoztatja. Ne szállítsa a feszültség alatt lévő gépet ujjával az üzemi kapcsolón, mivel ez súlyos baleset előidézője lehet.
- d. **Ne hagyjon szerelőkulcsot a gépben.** A munka megkezdése előtt mindig ellenőrizze, hogy a szerelőszerszámot (kulcsot) eltávolította-e a készülékből.
- e. **Álljon biztonságosan. Kerülje a rendellenes testtartást, és egyensúlyát soha ne veszítse el munkavégzés közben.** Így jobban irányíthatja a készüléket, még váratlan helyzetekben is.
- f. **Viseljen megfelelő munkaruházatot. Szabadban viseljen gumikesztyűt és csúszásmentes lábbelit. Ne hordjon ékszert vagy laza ruházatot munkavégzés közben. Tartsa távol hosszú haját, ruházatát és munkakesztyűjét a mozgó részekről.** A laza ruházat, ékszerek vagy hosszú haj beakadhatnak a mozgó részekbe. Hosszú haj esetében használjon sapkát, hogy ne zavarja a munkában.
- g. **Ha a készüléken megtalálható a porelszívási lehetőség, vagy a porzsák, úgy ügyeljen arra, hogy megfelelően csatlakoztassa és használja ezeket munka közben.** Porelszívó berendezés használatával nagymértékben csökkenthető a por okozta veszélyek.
4. **Az elektromos kéziszerszám használata és ápolása**
- a. **Mindig a megfelelő szerszámot használja. Ne erőltesse a kéziszerszámot.** A készülék rendeltetésszerű használatáról korábban már említést tettünk. Ne erőltesse túl a kisebb teljesítményű készülékeket, vagy tartozékokat, nagyobb teljesítményű igénylő munkánál. A termékkel jobban és biztonságosabban elvégezheti a munkát, hogy ha a teljesítmény kategóriájának megfelelően használja. **Figyelem!** Az Ön biztonsága érdekében csak olyan tartozékokat, illetve kiegészítő berendezést használjon, melyet a kezelési utasítás ajánl.
- b. **Ne használja a gépet, ha a kapcsoló nem működőképes.** Bármely kéziszerszám használata, amely nem irányítható megfelelően az üzemi kapcsolóval, nagyon veszélyes, ezért azonnal meg kell javíttatni a kapcsolót, ha sérült vagy nem működőképes.
- c. **Áramtalanítsa a készüléket.** Mindig áramtalanítsa a készüléket, ha nem használja azt; mielőtt változtatna a gép bármely beállításán; tartozékokat vagy feltétet cserél; valamint a termék átvizsgálása előtt.
- d. **Ügyeljen a készülék megfelelő tárolására. Ha nem használja a készüléket, tartsa száraz, gyermekek elől gondosan elzárt helyen.** Az elektromos kéziszerszámok használata veszélyes lehet nem képzett felhasználó esetén.
- e. **Ellenőrizze a készülék állapotát. Használat előtt mindig ellenőrizze a készüléket és a hálózati kábelt. Vizsgálja meg, hogy a mozgó részek megfelelően működnek, nincsenek akadályoztatva. Ellenőrizze a részegységeket, olajozásukat, esetleg előforduló töréseit, a kézvédő vagy a kapcsoló sérüléseit és minden olyan rendellenességet, ami befolyásolhatja a készülék használatát.** Bizonyosodjon meg róla, hogy a készülék megfelelően működik, és a kategóriájával egyenértékű teljesítményt biztosít. Ne használja a gépet, ha valamelyik alkatrésze sérült. A sérült vagy hibás alkatrészek javítását vagy cseréjét csak a kijelölt szakszervezetek végezhetik. Soha ne kísérelje meg a javítást Önállóan, a sérült részeket és védőberendezéseket előírás szerint kell javíttatni vagy cseréltetni.
- f. **A vágóéleket tartsa élesen és tisztán a jobb és biztonságosabb munkavégzés érdekében.** Kövesse a karbantartásra és tartozékcserére vonatkozó előírásokat. Tartsa a fogantyúkat és kapcsolókat szárazon, tisztán és olajtól, zsírtól mentesen.
- g. **Rögzítse a munkadarabot. Használjon szatut vagy más leszorító eszközt a munkadarab rögzítésére.** Így biztonságossá válik a munkavégzés, és mindkét keze szabadon marad a gép irányítására.
5. **Javítás**
- a. **Ez a kéziszerszám megfelel a vonatkozó biztonsági előírásoknak. Javítást csak szakszerviz végezhet, és csak eredeti gyári alkatrészeket szabad felhasználni.** A szakszerűtlen javítás súlyos baleset előidézője lehet.

Kiegészítő biztonságtechnikai előírások késziszerszámokhoz



Figyelem! Kiegészítő biztonságtechnikai előírások dekopírfűrészekre.

- ◆ **Az elektromos szerszámot csak a szigetelt fogási felületeinél tartsa, ha azzal olyan műveletet végez, amelynél a tartozék rejtett kábeleket vagy a készülék saját kábelét vághatnak el.** Ha a vágóél áram alatt lévő vezetékkel érintkezik, az elektromos szerszám fémalkatrészei is elektromossá válnak és megrázzhatják a kezelőt.
- ◆ **Soha ne tartsa a munkadarabot kezeivel, vagy tegye lábaira. Biztosítsa, illetve fogassa le egy stabil felületre.** Fontos, hogy mindig megfelelően támassza meg a munkadarabot, minimalizálva a megközelítést, a fűrészlap megszorulását, vagy a munkavégzés alatt a készülék feletti irányítás elvesztését.
- ◆ **Soha ne tegye egyik kezét sem a munkaterület és a fűrészlap közelébe.** Soha ne nyúljon a munkadarab alá. Soha ne tegye ujjait a fűrészlap és fűrészlap befogó közelébe. Soha ne fogja meg a készülék talpát a stabilizáláshoz.
- ◆ **Tartsa a fűrészlapot élesen. Soha ne használjon életlen vagy sérült fűrészlapot.** Az életlen vagy helytelenül beállított fűrészlap szűk vágásvonalat eredményez, így a feszültség növekedhet, a fűrészlap megakadhat, és ez visszacsapáshoz vezet. Mindig a vágandó anyagnak és vágástípusnak megfelelő fűrészlapot használjon.
- ◆ **Ha csöveket vagy vezeték csatornákat fűrészrel, mindig ellenőrizze, hogy ne legyen bennük víz, elektromos vezetés, stb.**
- ◆ **Soha ne érintse meg a munkadarabot vagy a fűrészlapot azonnal a vágás befejezése után.** Ezek nagyon forróak lehetnek.
- ◆ **Ügyeljen a rejtett vezetékekre és csövekre. Mielőtt fűrészelési munkálatba kezdene falazatba, padlázatba, vagy tetőzetbe, mindig ellenőrizze a vezetékek és csövek elhelyezkedését.**
- ◆ **A kapcsoló elengedése után a fűrészlap néhány másodpercig még mozgásban van.** Mindig kapcsolja ki a készüléket és várja meg, hogy a fűrészlap teljesen megálljon, mielőtt leteszi a kezéből a fűrész.

Figyelem! A vágási alkalmazásokkor keletkező porral való érintkezés vagy belégzés veszélyt jelenthet a munkaterületen tartózkodók és a felhasználó egészségére. Viseljen pormaszkot, melyet speciálisan arra terveztek, hogy megvédje használóját a keletkezett portól és gáztól.

Ügyeljen arra, hogy a munkaterületen tartózkodó összes személy is viselje a pormaszkot.

- ◆ A készülék rendeltetészerű használatát már korábban leírtuk. Ne erőltesse túl a kisebb teljesítményű készülékeket, vagy tartozékokat, nagyobb teljesítményt igénylő munkánál. A termékkel jobban és biztonságosabban elvégezheti a munkát, hogy ha a teljesítmény kategóriájának megfelelően használja. Ne erőltesse a szerszámot. Az Ön biztonsága érdekében csak olyan tartozékokat, illetve kiegészítő berendezést használjon, melyet a kezelési utasítás ajánl.

Mások biztonsága

- ◆ A készüléket nem használhatják korlátozott fizikai, érzékszervi vagy mentális képességekkel rendelkező vagy gyakorlattal és ismeretekkel nem rendelkező személyek (ideértve a gyermekeket is) kivéve a biztonságukért felelős személy felügyelete mellett és az ő utasításait követve.
- ◆ A gyermekeket felügyelni kell, meg kell akadályozni, hogy játsszanak a készülékkel.

Vibráció

A megállapított vibráció emisszió érték a standard teszt módszer szerint EN60745 szabvány szerint van mérve, és egy másik készülékkel való összehasonlításra szolgál. A megállapított vibráció emisszió érték, szintén használható a kitétség előzetes megbecslésére.

Figyelem! A vibráció emisszió érték a készülék használatakor eltérhet a megállapított értéktől a készülék használatának módjától függően. A vibráció érték az itt megállapított szint fölé emelkedhet.

A keletkező vibrációs mérték meghatározása: a 2002/44/EC szabvány szerint adott a biztonságos érték, azonban azok védelmében, akik rendszeresen használják a készüléket, egy becsült érték figyelembe vétele szükséges, mely számításba veszi a kitétség időintervallumát, a munkaterület karakterisztikáját, a készülék használati módját, beleértve részegységek működési ciklusát, mint pl. a készülék be- és kikapcsolása a kapcsolóra gyakorolt hatása.

Figyelmeztető szimbólumok a készüléken



Figyelem! Sérülésveszély csökkentéséhez, figyelmesen olvassa el a kezelési útmutatót a készülék üzembe helyezése előtt.

Elektromos biztonság



Ez a készülék kettősszigetelésű, ezért a földelés nem szükséges. Mindig ellenőrizze, hogy a hálózati feszültség megfelel-e a gép adattábláján feltüntetettnek!

- ◆ Ha a hálózati kábel sérült, azonnal cseréltesse le egy Black & Decker szakszervizben.

Kiegészítő biztonságtechnikai előírások nem újratölthető akkumulátorokhoz

- ◆ Ne kísérletezzen az akkumulátor felnyitásával.
- ◆ Olyan helyen tárolja az akkut, ahol a hőmérséklet nem haladja meg a 40°C-ot.
- ◆ Használt akkumulátor ártalmatlanítása során kövesse "A környezet védelme" című rész utasításait.
- ◆ Tilos az akkut tűzbe dobni!
- ◆ Szélsőséges körülmények között történő használatkor előfordulhat, hogy akkufolyadék szivárog ki az akkumulátorból. Ekkor járjon el a következőképpen:
 - Óvatosan törölje le a folyadékot az akkuról egy kendővel. Kerülje, hogy bőre az akkufolyadékkal érintkezzen.

Kiegészítő biztonságtechnikai előírások lézerekhez



Olvassa el figyelmesen a kezelési utasítást.



Ezt a készüléket 16 év alatti gyermek nem használhatja.



Figyelem! Lézersugárzás.



Tilos a lézernyalábba nézni!



Tilos megnézni a lézernyalábot közvetlenül, optikai eszközzel!

- ◆ Ez a lézeregység megfelel a 2 osztályú következő szabványainak EN 60825-1:2007. A lézerdíódát ne cserélje le másik típusra. Ha megsérült, a lézeregység javítását csak szakszerviz végezheti el.

- ◆ A lézert kizárólag lézervonalak kivetítésére alkalmazza, ne használja más alkalmazásra.
- ◆ A szemet 2 osztályú lézersugárnak maximálisan 0,25 másodperc időintervallumig szabad kitenni. A szemhéj reflexek általában elegendő védelmet biztosítanak. 1 méternél nagyobb távolság esetén, a lézersugár, 1 osztályúnak felel meg és így teljesen biztonságosnak tekinthető.
- ◆ Soha ne nézzen közvetlenül és szándékosan a lézersugárba.
- ◆ Tilos megnézni a lézernyalábot optikai eszközzel!
- ◆ Soha ne tegye olyan helyzetbe a lézeregységet, hogy a nyaláb bárkit is keresztezhetne fejmagasságban.
- ◆ Ne engedjen gyerekeket a lézeregység közelébe.

Leírás

1. Fordulatszám szabályzó kerék
2. Be/ki üzemi kapcsoló
3. Tartósüzem rögzítő gomb
4. Fűrészlap tároló rekesz fedél
5. Fűrészlap rögzítő kar
6. Porelszívó kimenet
7. Fűrészlap
8. Fűrészlap támasztógörgő
9. Pengeelőtolás választó

További funkciók (A ábra)

További funkciók érhetőek el a megvásárolt termék pontos típusától függően. Az elérhető további funkciók az A ábrán látható katalógus számok szerint azonosíthatóak.

Összeszerelés

Figyelem! Mielőtt elkezdi a gép összeszerelését, győződjön meg arról, hogy a hálózati csatlakozó le van választva az áramforrásról, a készülék ki van kapcsolva és a fűrészlap teljesen megállt. A használt fűrészlapok felforrósodhatnak.

A fűrészlap befogása és eltávolítása (B és C ábra)

Figyelem! Mielőtt elkezdi a gép összeszerelését, győződjön meg arról, hogy a hálózati csatlakozó le van választva az áramforrásról, a készülék ki van kapcsolva és a fűrészlap teljesen megállt. A használt fűrészlapok felforrósodhatnak.

A fűrészlap befogása (B ábra)

- ◆ Tartsa a fűrészlapot (10) az ábra szerint, fogakkal előre.
- ◆ Nyomja le és tartsa úgy a fűrészlap rögzítő kart (11).

- ◆ Helyezze be a fűrészlap szarát a fűrészlap tartóba (12) és tolja be ütközésig.
- ◆ Engedje el a fűrészlap rögzítő kart (11).

Fűrészlap tárolása (C ábra)

A fűrészlapok (10) a készülék oldalán található tároló rekeszben (4) helyezhetőek el.

- ◆ Nyissa fel a fűrészlap tároló rekesz fedelét (4) a fedélen lévő fül segítségével.
- ◆ A fűrészlapokat egy mágneses csík tartja a tároló rekeszben. A fűrészlap eltávolításához nyomja le a fűrészlap egyik végét a másik vég megemeléséhez, és távolítsa el.
- ◆ Csukja be a fűrészlap tároló rekesz fedelét (4), és ellenőrizze, hogy megfelelően rögzült.

Figyelem! Biztosan zárja be a rekesz ajtaját, mielőtt a készüléket beindítja.

Porelszívó csatlakoztatása a készülékhez (D ábra)

A készülékhez porszívó vagy porelszívó berendezés is csatlakoztatható, de ehhez szükség van egy porelszívó adapterre (13). Az adaptert bármelyik Black & Decker szakkereskedőnél megvásárolhatja.

- ◆ Nyomja a porelszívó adaptert (13) a porkiömlő nyílásra (6).
- ◆ Csatlakoztassa a porszívó csövet (14) az adapterhez (13).

Vágásvonal elfűvő (E ábra)

- ◆ A vágásvonal követésének segítésére a készülék fel van szerelve egy vágásvonal elfűvő (15) egységgel, mely a munkaterületet vágás közben pormentesen tartja.

Maradványkockázat

A biztonsági figyelmeztetésekben ismertetett kockázatok mellett más kockázatok is jellemezhetik a szerszám használatát. Ezek a kockázatok a szerszám rendeltetésétől eltérő, illetve huzamos, stb. használatából adódhatnak.

A vonatkozó biztonsági előírások alkalmazása, és a védőeszközök használata ellenére bizonyos maradványkockázatokat nem lehet elkerülni. Ezek a következők:

- ◆ A forgó/mozgó alkatrészek megérintése által okozott sérülés.
- ◆ Az alkatrészek, vágólapok, tartozékok cseréje által okozott sérülés.
- ◆ A szerszám huzamos használata által okozott egészségkárosodás. Bármely szerszám huzamosabb ideig való használata esetén tartson rendszeres munkaszüneteket.

- ◆ Halláskárosodás
- ◆ A szerszámhasználat közben keletkező por belégzése által okozott egészségkockázat (például: fával végzett munkák, különösen tölgy, bükk és faforgácslapok esetén.)

A készülék használata

A fűrészlap beállítása szögvágáshoz (F és G ábra)

Figyelem! Soha ne használja a fűrészlapot akkor, ha a fűrészlap nem megfelelően van rögzítve, vagy ha el van távolítva a készülékről.

A fűrészlap (7) bal és jobb irányban is 45°-ig dönthető.

- ◆ Húzza ki a fűrészlap rögzítő kart (5) a fűrészlap (7) 0 fokból való kioldásához.
- ◆ Húzza a fűrészlapot (7) előre, állítsa be a kívánt 15°, 30° és 45° szögbe, ami a dőlésszög kijelző ablakon látható.
- ◆ Nyomja a fűrészlap rögzítő kart (5) hátra a fűrész felé a fűrészlap (7) rögzítéséhez.

A fűrészlap (7) visszaállítása merőleges helyzetbe, egyenes vonalak vágására:

- ◆ Húzza ki a fűrészlap rögzítő kart (5) a fűrészlap (7) kioldásához.
- ◆ Állítsa a fűrészlapot (7) 0° fokba, és nyomja a fűrészlapot hátra.
- ◆ Nyomja a fűrészlap rögzítő kart (5) hátra a fűrész felé a fűrészlap (7) rögzítéséhez.

Pengeelőtolás beállítása (H ábra)

- ◆ Állítsa a pengeelőtolás választót (9) a kívánt pozícióba.
- ◆ **0** Pozíció: fémek és alumínium és fémlemez vágására.
- ◆ **I** Pozíció: laminált anyagok, kemény faanyagok, furnérlemez vágására.
- ◆ **II** Pozíció: rétegelt lemez és PVC/műanyagok vágására.
- ◆ **III** Pozíció: puha faanyagokhoz és gyors vágásra.

A fordulatszám szabályozása

- ◆ Állítsa a fordulatszám szabályozó kereket (1) a megfelelő sebességre.
- ◆ Magas fordulatszámot fa, közepeset alumínium és PVC, alacsony fordulatszámot fémek (kivéve alumínium) vágásakor használjon.

A készülék be- és kikapcsolása

- ◆ A készülék beindításához nyomja be a be/ki üzemi kapcsolót (2).
- ◆ A gép leállításához engedje el a be/ki üzemi kapcsolót (2).

- ◆ A tartósüzem használatához, nyomja be a tartósüzem rögzítő gombot (3) és engedje el a be/ki üzemi kapcsolót (2).
- ◆ Ha a gépet tartósüzem közben kívánja leállítani, nyomja meg még egyszer az üzemi kapcsolót (2) és engedje el.

Fűrészelés

Vágás közben tartsa a készüléket szorosan, két kézzel. A fűrészlapot (7) tartsa szorosan a vágandó munkaanyagnak. Így megelőzhető a készülék megugrása, csökkenthető a vibráció és minimalizálható a fűrészlap törése.

- ◆ Hagyja a fűrészlapot szabadon futni néhány másodpercig, mielőtt a vágáshoz kezd.
- ◆ Csak kis nyomást fejtsen ki a készülékre, mialatt fűrészeli a készülékkel.

A lézer működtetése (I-L ábra) (CSAK KS900EL típusnál)

Az elemek behelyezése (I ábra)

Szerelje le a lézermodult (17) a készülékről úgy, hogy eltávolítja a csavart (16) és előre kihúzza a modult a készülékből. Helyezze be a két 1,5 Voltos AAA alkáli elemet a modulba, ügyelve rá, hogy a (+) és a (-) terminálok megfelelően illeszkedjenek. Szerelje vissza a lézermodult (17) a készülékbe.

A lézer beállítása (J ábra)

Megjegyzés: A lézer rendeltetészerűen csak vágási segédvonalként használható és nem garantálja a pontos vágást.

Figyelem! Ne állítson a lézeren, ha a készülék áram alatt van.

- ◆ Használja a lézer állítócsavart (18) a lézervonal és a fűrészlap párhuzamba állításához, ha szükséges.

A lézervonal láthatósága (teljesítménye) csökken, ha a dekopírfűrész túlmelegedik. A lézervonal nem lesz látható, ha a fűrész hosszabb ideig túlterheli. A lézervonal láthatósága fokozatosan visszatér a normál értékre, ha a készülék lehül, még akkor is, ha a készüléket lekapcsolja az áramforrásról.

Figyelem! Soha ne hagyja a túlmelegedett lézert bekapcsolva. Ellenőrizze, hogy a kapcsoló ki van kapcsolva és távolítsa el az elemeket a lézer teljes kikapcsolásához.

A lézer használata (K-L ábra)

A lézer kivetíti a vágási segédvonalat (21) a munkaanyag felületére.

- ◆ A lézermodul bekapcsolásához, nyomja meg a gombot (19).

- ◆ A lézermodul kikapcsolásához, nyomja meg a gombot (19) még egyszer.

Közvetlenül a fűrész fölött nézve, a vágásvonal (21) könnyedén követhető. Ha ez a pozíció bármilyen oknál fogva korlátozva van, a lézer alternatív vágási vezetőként használható.

- ◆ Jelölje meg egy ceruzával a vágásvonalat (20).
- ◆ Helyezze a dekopírfűrész a vonalra (20).
- ◆ Kapcsolja be a lézermodult.

Javaslatok az optimális munkavégzéshez

Rétegelt lapok fűrészelése

Ahogy a fűrészlap felfelé mozog az anyagban, a felületen a talp közelében hasadás keletkezhet. A legtöbb fűrészlap felfelé ütemben vág, így ha a fűrészlap a munkaanyag színén helyezkedik el, vagy használjon lefelé ütemben vágó fűrészlapot, vagy:

- ◆ Használjon finom fogazású fűrészlapot.
- ◆ A munkadarabot a fordított oldaláról fűrészelve.
- ◆ A hasadás minimalizálásához erősítsen a munkadarab mindkét oldalára egy darab puhafát vagy préselt falapot és ezen a „szendvicsten” keresztül fűrészeljén.

Fémek fűrészelése

Legyen tudatában annak, hogy a fémek fűrészelése sokkal több időt vesz igénybe, mint a faanyagok fűrészelése.

- ◆ Kizárólag fémvágó fűrészlapot használjon. Vastartalmú fémekhez finom fogazású, míg a nem vastartalmú fémekhez durvább fogazású fűrészlap szükséges.
- ◆ Ha vékony fémelemez fűrészeli, erősítsen a munkadarab hátsó oldalára egy darab puhafát vagy préselt falapot és ezen a „szendvicsten” keresztül fűrészelve.
- ◆ Tegyen a kívánt vágásvonalra egy vékony olajcsíkot.

Karbantartás

Az Ön készüléke minimális karbantartás mellett hosszú távú felhasználásra lett tervezve. A készülék folyamatos megfelelő működése nagymértékben függ az alapos ápolástól és a rendszeres tisztítástól.

- ◆ Rendszeresen tisztítsa meg a készülék levegőréseit egy puha kefével vagy száraz ronggyal.
- ◆ A készülék tisztításához használjon egy enyhén nedves szappanos kendőt. Ne használjon karcot hagyó tisztítószer vagy

oldószer bázisú anyagot. Akadályozza meg, hogy folyadék kerüljön a készülék belsejébe. Soha ne mártsa a készülék semelyik részét folyadékba.

Csatlakozódugasz cseréje (csak az Egyesült Királyságban és Írországban)

Ha új csatlakozódugaszra van szükség:

- ◆ A régi dugaszt biztonságos módon selejtezze le.
- ◆ A barna vezetéket kösse az új csatlakozódugasz fázis csatlakozójához.
- ◆ A nulla csatlakozóhoz kösse a kék vezetéket.

Figyelmeztetés! A földelő csatlakozóhoz ne kössön vezetéket. Kövesse a minőségi csatlakozódugaszhoz mellékelt szerelési utasítást. Ajánlott biztosíték: 5 A.

Környezetvédelem



Elkülönített begyűjtés. Ezt a készüléket el kell különíteni a normál háztartási hulladéktól.

Egy napon, mikor készüléke eléri technikai élettartamának végét, vagy nincs további szüksége rá, gondoljon a környezetvédelemre. A terméket a normál háztartási hulladéktól elkülönítve kell megsemmisíteni.



Az elhasznált termékek és csomagolások elkülönített begyűjtése lehetővé teszi, ezek újrahasznosítását. Újrahasznosított vagy újra feldolgozott anyagok segítségével a környezetszennyezés, illetve a nyersanyagok iránti igény nagymértékben csökkenthető.

A helyi előírások rendelkezhetnek az elektromos készülékek háztartási hulladéktól elkülönített begyűjtéséről, helyhatósági hulladéklerakó helyeken vagy a kereskedők által új termék megvásárlásakor.

Black & Decker termékeire az élettartamuk lejártával visszavételi lehetőséget kínál. Ez a szolgáltatás ingyenes. Ha igénybe veszi ezt a szolgáltatást, kérjük, juttassa el készülékét a legközelebbi Black & Decker szervizbe, melyekről a Magyarországi Képviselőnél érdeklődhet.

A szervizzel kapcsolatban a következő Internet oldalon is felvilágosítást kaphat:

www.2helpU.com.

Elemek



Hasznos élettartama végén a környezetvédelmi előírások betartásával selejtezze le.

- ◆ Ne zárja rövidre az akkumulátor sarkait.
- ◆ Az akkumulátort ne dobja tűzbe, mert ezzel robbanást vagy személyi sérülést okozhat.
- ◆ Merítse le teljesen az akkumulátort, majd válassza le a szerszámról.
- ◆ Az akkumulátor újrahasznosítható. Az akkumulátor(oka)t megfelelő csomagolásban helyezze el, hogy sarkait ne lehessen rövidre zárni. Adja le márkaszervizben vagy a helyi hulladékhasznosító telepen.

Műszaki adatok

	KS900E 1-es típus	KS900EL 1-es típus
Feszültség	V _{AC}	230
Felvett teljesítmény	W	600
Üresjáratú löketség	min ⁻¹	800 - 3.000
Maximális vágás kapacitás		
Fa	mm	85
Fém	mm	5
Alumínium	mm	15
Súly	kg	2,36
(lézerrel)	kg	2,66

Hangnyomásszint az EN 60745 szerint:

L_{PA} (hangnyomásszint) 87 dB(A), toleranciafaktor (K) 3 dB(A), L_{WA} (hangteljesítmény szint) 98 dB(A), toleranciafaktor (K) 3 dB(A)

Súlyozott effektív rezgésgyorsulás EN 60745 szerint mérve:

Fa fűrészelése (a_{h,CW}) 10,5 m/s², toleranciafaktor (K) 1,5 m/s², Fém fűrészelése (a_{h,CM}) 14,5 m/s², toleranciafaktor (K) 1,5 m/s²

EU-TANÚSÍTÁS

GÉPEK IRÁNYELV



KS900E, KS900EL

A Black & Decker kinyilvánítja, hogy a "Műszaki adatok" részben ismertetett termékek megfelelnek a következő irányelveknek és szabványoknak: 2006/42/EK, EN60745-1, EN60745-2-11

További információkért forduljon a Black & Decker vállalathoz az alábbi címen, vagy a kézikönyv hátoldalán található elérhetőségeken.

Alulírott felelős a technikai adatállomány összeállításáért és a Black & Decker nevében elkészített nyilatkozatért.



Kevin Hewitt
Alelnök, Global Engineering
Black & Decker Europe,
210 Bath Road, Slough,
Berkshire, SL1 3YD
United Kingdom
10-02-2010

A következő meghibásodások esetén a garancia kizárt:

- ◆ Elhasználódott, illetve károsodott kések, és a hálózati kábel. Azok az alkatrészek, amelyek a normál használat során elkopnak.
- ◆ Azok a meghibásodások, amelyek a szakszerűtlen kezelésből eredtek.
- ◆ Azok a hibák, amelyek a kezelési útmutató be nem tartásából eredtek.

Kizárólag csak eredeti Black & Decker tartozékok és alkatrészek alkalmazhatók. Ellenkező esetben teljesítménycsökkenés léphet fel, és a gép elveszti a garanciát. Ha garanciális igénye van, feltétlen mellékelje a jótállási jegyet és a vásárlási okmányokat (számlát).

Garancia határozat

A Black & Decker elhivatott a termékei minősége iránt, és kiterjesztett garanciát kínál. Ez a garanciahatározat csak kiegészíti és semmi esetre sem befolyásolja hátrányosan az Ön törvényes jogait. A garancia az Európai Unió tagállamai területén, valamint az Európai Szabadkereskedelmi Társulás (EFTA) területén érvényes.

Ha egy Black & Decker termék anyaghiba, a kivitelezés módja vagy a megfelelés hiánya miatt meghibásodik, az eladás dátumától számított 24 hónapig a Black & Decker garanciát vállal a hibás alkatrészek cseréjére, a normál kopásnak kitett termékek javítására, illetve az ilyen termékek kicserélésére, hogy ügyfeleinek a lehető legkisebb kellemetlenséget okozza az alábbi feltételekkel:

- ◆ A terméket nem használták kereskedelmi, ipari alkalmazásokhoz, és nem adták bérbe;
- ◆ A terméket rendeltetésszerűen és körültekintően használták;
- ◆ A termék nem idegen tárgyaktól, szennyeződéstől vagy külső behatástól sérült meg;
- ◆ A termék javítására nem tett kísérletet olyan személy, aki nem tartozik a hivatalos szerviz vagy a Black & Decker szervizszemélyzet tagjai közé.

A garancia érvényesítéséhez az eladónak vagy a hivatalos szerviznek be kell nyújtani a vásárláskor kapott számlát.

Ha igénybe veszi ezt a szolgáltatást, kérjük, juttassa el készülékét a legközelebbi Black & Decker szervizbe, melyekről a magyarországi képviselőnél érdeklődhet.

A szervizzel kapcsolatban a következő Internet oldalon is felvilágosítást kaphat:

www.2helpU.com

BLACK & DECKER GARANCIÁLIS FELTÉTELEK

Gratulálunk Önnek ennek az értékes Black & Decker készülék megvásárlásához.

Azon termékeinkre, amelyet fogyasztói használat keretében háztartási, hobby célra vásárolnak **24 hónap jótállást biztosítunk.**

A termék iparszerű használatra nem alkalmas!

A jótállás a fogyasztó törvényből eredő jogait nem érinti.

- 1) **Black & Decker** kötelezettséget vállal arra, hogy a garanciális javításokat a **49/2003. (VII. 30.) GKM** és a **151/2003 (IX.22.) sz. Korm.** rend. szerint végzi.
 - a) A fogyasztó jótállási igényét a jótállási jeggyel érvényesítheti, ezért azt őrizze meg.
 - b) Vásárláskor az eladónak a garanciaokmányt fel kell tüntetnie a vásárlás időpontját, a termék típusát vagy termékkódját, a kereskedés nevét, címét pedig a jótállási jegyre rá kell bélyegezni. Ennek alapján szerez jogosultságot a vevő a garancia időn belüli ingyenes garanciális javításra.
 - c) Jótállási javítást csak érvényes jótállási jegy alapján végezhetnek a kijelölt szervizek.
 - d) A jótállási jegyen történt bármilyen javítás, törlés vagy átírás, valótlan adatok bejegyzése, a jótállási jegy érvénytelenségét vonja maga után.
 - e) Elvesztett jótállási jegyet csak a vásárlási számla felmutatásával, térítés ellenében tudunk pótolni!
 - f) A jótállási jegy szabályatlan kiállításra vagy a fogyasztó részére történő átadásának elmaradására nem érinti a jótállási kötelezettségvállalás érvényességét.
- 2) **Nem terjed ki a garancia:**
 - a) Ha a hiba rendeltetésellenes használat, átalakítás, szakszerűtlen kezelés, helytelen tárolás, elemi kár vagy egyéb, vásárlás után keletkezett okból következett be. *(A rendeltetéssel ellentétes használat elkerülése céljából a termékhez magyar nyelvű vásárlói tájékoztatót mellékelünk és kérjük, hogy az abban foglaltakat saját érdekében tartsa be!)*
 - b) Az olyan károsodásokra, amelyek a szerszámok iparszerű (professzionális), közületi, valamint kölcsönzési felhasználása miatt keletkeztek.
 - c) Azon alkatrészekre, amelyeknél a meghibásodás garanciaidőn belül a helyes kezelés, karbantartás szerinti rendeltetés szerű üzemeltetés mellett az alkatrészek természetes elhasználódása, kopása következtében állt elő. *(ezek a következők: megmunkáló szerszámok pl. vágószerszám, fűrészlánc, fűrészlap, gyalukés stb. továbbá: meghajtószíj, csapágy, szénkefe, csillagkerék kpl.)*
 - d) A készülék túlterhelése miatt jelentkező hibákra, amelyek a hajtómű meghibásodásához, vagy egyéb ebből adódó károkhöz vezetnek.
 - e) A termék nem hivatalos szervizben történt javításából eredő hibákra.
 - f) Az olyan károsodásokra, amelyek nem eredeti Black & Decker kiegészítő készülékek és tartozékok használatából adódnak.

- 3) **A fogyasztó** a kijavítás iránti igényét a forgalmazónál, illetve a jótállási jegyen feltüntetett javítószolgálatnál érvényesítheti.
 - Meghosszabbodik a jótállási idő a kijavítási idő azon részével, amely alatt a fogyasztó a terméket nem tudta rendeltetés szerűen használni.
 - A jótállási és szavatossági jogok érvényesíthetőségének határidején belül a termékek vagy jelentősebb részének kicserélése (kijavítása) esetén a kicserélt (kijavított) termékre (termékrészre) 12 hónap jótállást biztosítunk. Ezek a következők: motor illetve állórész, forgórész, elektronika.
 - Ha a fogyasztási cikk a vásárlástól (üzembe helyezéstől) számított három munkanapon belül meghibásodik, a fogyasztó kérheti annak kicserélését feltéve, hogy a meghibásodás a rendeltetés szerű használatot akadályozza. A Black & Decker Hungary Kft. a meghibásodás okának feltárása céljából fenntartja a jogot a hibás termék vizsgálatására. Amennyiben a reklamáció alkalmával a meghibásodás garanciális voltáról nem nyilatkozunk, úgy 72 órán belül kell értesítenünk a vásárlót a reklamáció intézésének módjáról.
Ha a csere nem lenne lehetséges, műszakilag hasonló készülék kerül felajánlásra, vagy visszafizethető a vételár.

Amennyiben a hiba keletkezése, ténye, jellege, (pl. rendeltetésellenes használat, stb.) miatt vita merül fel, a Fogyasztó szakvéleményt kérhet a az arra illetékes szervtől / jogi személytől. A szakvélemény térítésköteles és nem kötelező érvényű a Forgalmazó számára.

- 4) **Garanciális javítás esetén** a szerviznek a garanciaokmányt az alábbi adatokat kell feltüntetnie:
 - a garanciális igény bejelentésének dátumát,
 - a hiba rövid leírását,
 - a javítás módját és időtartamát,
 - a készülék visszaadásának időpontját,
 - javítás időtartamával meghosszabbított új garanciaidőt.
- 5) **Arra törekszünk, hogy szervizhálózatunkon** keresztül kiváló javítószolgálatot, zökkenőmentes alkatrészellátást, és széles tartozékpalettát biztosítsunk.
- 6) **A fogyasztó a Polgári Törvénykönyvről szóló 1959. évi IV. törvény 306-310. §-ában, valamint a 49/2003. (VII. 30.) GKM** rendeletben meghatározott jogok illetik meg.

Gyártó:

Black & Decker GmbH
D – 65510 Idstein/Ts
Black & Decker str. 40.

Importőr:

Stanley Black & Decker
Hungary Kft., 1016 Budapest
Mészáros u. 58/b

Przeznaczenie

Opisywana wyrzynarka Black & Decker przeznaczona jest do cięcia drewna, tworzyw sztucznych i metali. Narzędzie przeznaczone jest wyłącznie do użytku amatorskiego.

Zasady bezpiecznej pracy

Ogólne wskazówki dotyczące bezpiecznego użytkowania elektronarzędzi



Uwaga! Należy zapoznać się ze wszystkimi ostrzeżeniami dotyczącymi bezpiecznej pracy oraz z instrukcją obsługi. Nie stosowanie się do poniższych instrukcji może być przyczyną porażenia prądem elektrycznym, pożaru i/lub uszkodzenia ciała.

Zachowaj wszystkie instrukcje i informacje dotyczące bezpiecznej pracy, aby móc korzystać z nich w przyszłości.

Używane poniżej określenie "elektronarzędzie", dotyczy elektronarzędzi zasilanych z sieci (przewodem zasilającym) oraz zasilanych akumulatorowo (bezzprzewodowych).

1. Bezpieczeństwo w miejscu pracy

- a. **Utrzymuj miejsce pracy w czystości i dbaj o dobre oświetlenie.**
- b. **Nie wolno używać elektronarzędzi w strefach zagrożenia wybuchem, w pobliżu palnych cieczy, pyłów i gazów.** W czasie pracy, elektronarzędzia wytwarzają iskry, które mogą spowodować zapłon pyłów lub oparów.
- c. **W czasie pracy elektronarzędziami nie pozwalaj na przebywanie w pobliżu dzieci i innych osób postronnych.** Brak skupienia może spowodować utratę kontroli nad narzędziem.

2. Ochrona przed porażeniem prądem elektrycznym

- a. **Gniazdo musi być dostosowane do wtyczki elektronarzędzia. Nie wolno dokonywać przeróbek wtyczki. Do zasilania uziemionych (zerowanych) elektronarzędzi nie należy używać przejściówek.** Używanie nie przerobionych wtyczek i odpowiednich gniazd, zmniejsza ryzyko porażenia prądem elektrycznym.
- b. **Należy unikać kontaktu z uziemionymi lub zerowanymi powierzchniami, takimi jak rury, grzejniki, kuchenki i lodówki.** Ryzyko porażenia prądem elektrycznym wzrasta, jeśli twoje ciało jest zerowane lub uziemione.

c. Nie narażaj elektronarzędzi na działanie deszczu lub zwiększonej wilgotności.

Woda wnikająca do wnętrza elektronarzędzia zwiększa ryzyko porażenia prądem elektrycznym.

d. Nie wolno ciągnąć za przewód zasilający.

Nie wolno podnosić i przeciągać elektronarzędzia, ani wyjmować wtyczki z gniazda, pociągając z przewód zasilający. Chroń przewód zasilający przed kontaktem z gorącymi elementami, olejami, ostrymi krawędziami i ruchomymi częściami. Uszkodzenie lub zapłatanie przewodu zasilającego zwiększa ryzyko porażenia prądem elektrycznym.

e. Do pracy poza pomieszczeniami zamkniętymi, należy używać przedłużacza przystosowanego do użycia na dworze.

Korzystanie z przedłużaczy przystosowanych do użycia na dworze, zmniejsza ryzyko porażenia prądem.

f. W czasie pracy w wilgotnym otoczeniu, należy używać źródła zasilania zabezpieczonego wyłącznikiem różnicowoprądowym.

Używanie wyłączników różnicowoprądowych zmniejsza ryzyko porażenia prądem.

3. Środki ochrony osobistej

- a. **W czasie pracy elektronarzędziem zachowaj czujność, patrz uważnie i kieruj się zdrowym rozsądkiem. Nie używaj elektronarzędzi, jeśli jesteś zmęczony lub pod wpływem alkoholu, narkotyków lub leków.** Nawet chwila nieuwagi, w czasie pracy elektronarzędziem, może doprowadzić do poważnego uszkodzenia ciała.
- b. **Używaj środków ochrony osobistej. Zawsze zakładaj okulary ochronne.** Środki ochrony osobistej, takie jak maska przeciwpyłowa, obuwie antypoślizgowe, kask oraz ochrona słuchu, stosowane w zależności od sytuacji, chronią przed obrażeniami.
- c. **Zapobiegaj przypadkowemu włączeniu. Przed przyłączeniem do sieci zasilającej i/ lub włożeniem baterii oraz przenoszeniem, należy upewnić się, że wyłącznik znajduje się w pozycji "wyłączone".** Trzymanie palca na wyłączniku w czasie przenoszenia lub podłączania do zasilania jest bardzo niebezpieczne.
- d. **Przed włączeniem elektronarzędzia należy usunąć wszystkie klucze i narzędzia do regulacji.** Pozostawienie narzędzia przyłączonego do części wirujących, może być przyczyną zranienia.

- e. **Nie wychylaj się. Nie wychylaj się i przyjmij stabilną pozycję, aby zawsze zachowywać równowagę.** Umożliwia to lepszą kontrolę pracy elektronarzędzia w nagłych sytuacjach.
- f. **Założ odpowiedni strój. Nie zakładaj luźnych ubrań lub biżuterii. Trzymaj rękawice, ubranie i włosy z dala od części wirujących.** Luźne ubranie, biżuteria lub długie włosy mogą zostać pochwycone przez ruchome części.
- g. **Jeśli sprzęt jest przystosowany do przyłączenia urządzeń odprowadzających i zbierających pył, upewnij się, czy są one przyłączone i właściwie użytkowane.** Użycie takich urządzeń może zmniejszyć niebezpieczeństwa wynikające z obecności pyłów.
4. **Obsługa i konserwacja elektronarzędzi**
- a. **Nie wolno przeciążać elektronarzędzi. Używaj elektronarzędzi odpowiednich do danych prac.** Za pomocą odpowiedniego elektronarzędzia wykonasz pracę lepiej, w sposób bezpieczny i z wydajnością, do jakiej zostało zaprojektowane.
- b. **Nie wolno używać elektronarzędzia z zepsutym wyłącznikiem, który nie pozwala na sprawne włączanie i wyłączenie.** Elektronarzędzie, którego pracy nie można kontrolować wyłącznikiem jest niebezpieczne i powinno zostać naprawione.
- c. **Przed przystąpieniem do regulacji, wymiany akcesoriów oraz przed schowaniem elektronarzędzia, należy odłączyć wtyczkę od źródła zasilania i/ lub odłączyć akumulator od urządzenia.** Stosowanie takich środków zapobiegawczych zwiększa bezpieczeństwo i zmniejsza ryzyko przypadkowego uruchomienia elektronarzędzia.
- d. **Nie używane elektronarzędzie przechowuj poza zasięgiem dzieci i nie dopuszczaj osób nie znających elektronarzędzia lub tej instrukcji do posługiwania się elektronarzędziem.** Elektronarzędzia obsługiwane przez osoby nieprzygotowane stanowią zagrożenie.
- e. **Regularnie dokonuj konserwacji elektronarzędzi. Sprawdź, czy ruchome części są właściwie połączone i zamocowane, czy części nie są uszkodzone oraz skontroluj wszelkie inne elementy mogące mieć wpływ na pracę elektronarzędzia. Wszel-**

kie uszkodzenia należy naprawić przed rozpoczęciem pracy. Wiele wypadków spowodowanych jest przez niedostateczną konserwację elektronarzędzi.

- f. **Dbaj o czystość narzędzi i ostrość elementów tnących.** Zadbane narzędzia tnące, z ostrymi krawędziami tnącymi, rzadziej się zacinają i są łatwiejsze w prowadzeniu.
- g. **Elektronarzędzi, akcesoriów, końcówek itp. należy używać zgodnie z niniejszą instrukcją, uwzględniając warunki i rodzaj wykonywanej pracy.** Użycie elektronarzędzi niezgodnie z przeznaczeniem może być niebezpieczne.
5. **Naprawy**
- a. **Powierzaj naprawy elektronarzędzi wyłącznie osobom wykwalifikowanym, używającym identycznych części zamiennych.** Zapewni to dalsze bezpieczne użytkowanie narzędzia.

Bezpieczne użytkowanie elektronarzędzi - wskazówki dodatkowe



Uwaga! Dodatkowe wskazówki dotyczące pracy wyrzynarkami.

- ♦ **Trzymaj elektronarzędzie poprzez izolowane powierzchnie uchwytów, gdy wykonujesz operacje, podczas których końcówka tnąca może dotknąć ukrytych przewodów elektrycznych lub kabla narzędzia.** Końcówka tnąca stykająca się z przewodem pod napięciem może przenieść napięcie na odsłonięte metalowe części elektronarzędzia i porazić operatora prądem.
- ♦ **Używaj zacisków lub innego wygodnego sposobu unieruchomienia i podparcia obrabianego elementu.** Trzymanie rękami obrabianego elementu lub oparcie o własne ciało nie daje dostatecznej stabilizacji i może spowodować utratę kontroli nad narzędziem.
- ♦ **Nie zbliżaj rąk do miejsca cięcia.** W żadnym wypadku nie sięgaj od spodu pod obrabiany element. Nigdy nie wsuwaj palców lub kciuka w pobliże brzeszczotu i mocowania brzeszczotu. Nie wolno stabilizować wyrzynarki chwytając za stopę.
- ♦ **Dbaj o ostrość brzeszczotów.** Tępe lub uszkodzone brzeszczoty mogą być przyczyną zbachania lub zahaczenia piły przy obciążaniu. Zawsze należy używać brzeszczotów przeznaczonych do cięcia danego materiału i odpowiedniego do rodzaju prac.

- ♦ **W przypadku cięcia rur i kanałów należy się upewnić, czy nie ma w nich wody, przewodów elektrycznych itp.**
- ♦ **Nie dotykaj obrabianego elementu ani brzeszczotu bezpośrednio po zakończeniu cięcia.** Elementy te mogą być bardzo gorące.
- ♦ **Uważaj na odkryte niebezpieczne elementy - przed rozpoczęciem cięcia ścian, podłóg czy sufitów, sprawdź rozmieszczenie przewodów i rur.**
- ♦ **Brzeszczot porusza się nawet po zwolnieniu włącznika.** Przed odłożeniem narzędzia, należy wyłączyć je i poczekać, aż brzeszczot zatrzyma się.

Uwaga! Bezpośredni kontakt lub wdychanie pyłu powstałego w trakcie cięcia może szkodzić zdrowiu wykonującego pracę i osób znajdujących się w pobliżu. Należy nosić specjalną maskę przeznaczoną do ochrony przed pyłem i oparami oraz upewnić się, że osoby w pomieszczeniu i wchodzące do pomieszczenia są również zabezpieczone.

- ♦ Przeznaczenie urządzenia opisane jest w niniejszej instrukcji obsługi. Używanie jakichkolwiek akcesoriów lub wykonywanie prac sprzecznych z przeznaczeniem opisywanym w instrukcji obsługi, może powodować niebezpieczeństwo uszkodzenia ciała i/lub uszkodzenia mienia.

Bezpieczeństwo osób postronnych

- ♦ To urządzenie nie jest przeznaczone do użytku przez osoby (w tym dzieci) o ograniczonych zdolnościach fizycznych, zmysłowych lub umysłowych oraz bez odpowiedniego doświadczenia i wiedzy, jeśli nie odbywa się do pod nadzorem lub po poinstruowaniu w dziedzinie użytkowania urządzenia przez osobę odpowiedzialną za bezpieczeństwo.
- ♦ Należy upewnić się, że dzieci nie bawią się urządzeniem.

Drgania

Podawana w tabeli danych technicznych oraz w deklaracji zgodności z normami wartość drgań (wibracji), została zmierzona zgodnie ze standardową procedurą zawartą w normie EN 60745. Informacja ta może służyć do porównywania tego narzędzia z innymi. Deklarowana wartość emitowanych drgań może również służyć do przewidywania stopnia narażenia użytkownika na wibracje.

Uwaga! Chwilowa siła drgań, występująca w czasie pracy elektronarzędziem, może

odbiegać od podawanych wartości, w zależności od sposobu użytkowania urządzenia. Poziom wibracji może przekroczyć podawaną wartość.

Przy określaniu ekspozycji na wibracje, w celu podjęcia środków ochrony osób zawodowo użytkujących elektronarzędzia, zgodnie z normą 2002/44/EC, należy uwzględnić rzeczywiste warunki i rodzaj wykonywanej pracy. Także okresy przestoju i pracy bez obciążenia.

Oznaczenia na narzędziu



Uwaga! Aby zminimalizować ryzyko zranienia, użytkownik musi zapoznać się z instrukcją obsługi.

Ochrona przed porażeniem prądem elektrycznym



Opisywane elektronarzędzie jest podwójnie izolowane; dlatego nie ma konieczności stosowania dodatkowego uziemienia. Należy zawsze sprawdzać, czy napięcie źródła zasilania jest zgodne z wartością podaną na tabliczce znamionowej.

- ♦ Ze względów bezpieczeństwa, uszkodzony przewód zasilający musi zostać wymieniony przez producenta lub przez autoryzowane centrum serwisowe Black & Decker.

Dodatkowe wskazówki dotyczące używania baterii jednorazowych

- ♦ Nie wolno baterii otwierać pod żadnym pozorem.
- ♦ Przechowywać w miejscach, w których temperatura nie przekracza 40 °C.
- ♦ Podczas utylizacji baterii wykonywać instrukcje z rozdziału "Ochrona środowiska".
- ♦ Nie wolno baterii palić.
- ♦ W wyjątkowych przypadkach może dojść do wycieku z baterii. Jeśli na baterii pojawi się płyn, należy:
 - Ostrożnie zetrzeć płyn ściereczką. Unikać kontaktu ze skórą.

Dodatkowe wskazówki dotyczące bezpiecznego użytkowania laserów



Należy uważnie przeczytać instrukcję obsługi.



Niniejszy produkt nie nadaje się do użycia przez dzieci poniżej 16 roku życia.



Promieniowanie laserowe.



Nie wolno kierować wiązki lasera w kierunku oczu.



Nie wolno używać przyrządów optycznych do oglądania wiązki lasera.

- ◆ Zastosowany laser spełnia normy dla klasy 2 zgodnie z normą EN 60825-1:2007. Nie wolno zastępować diody lasera innym typem. Naprawę uszkodzonego lasera należy powierzyć Autoryzowanemu Przedstawicielowi Serwisowemu.
- ◆ Lasera nie wolno używać w innych celach niż wyznaczenie linii.
- ◆ Maksymalny czas ekspozycji oka na wiązkę lasera klasy 2, uważany za bezpieczny, to 0.25 sekundy. Odruch zamykania powiek stanowi zwykle wystarczającą ochronę. W odległości powyżej 1m laser spełnia wymagania klasy 1 i dlatego uważany jest za całkowicie bezpieczny.
- ◆ Nigdy nie wolno kierować wiązką bezpośrednio w oczy i wpatrywać się w nią.
- ◆ Nie wolno używać przyrządów optycznych do oglądania wiązki lasera.
- ◆ Nie wolno ustawiać urządzenia tam, gdzie wiązka lasera może znaleźć się na wysokości głowy innych osób.
- ◆ Nie wolno pozwalać na zbliżanie się dzieci do lasera.

Wypożażenie

1. Gałka regulacji prędkości
2. Wyłącznik
3. Przycisk blokady wyłącznika
4. Pokrywa schowka na brzeszczoty
5. Dźwignia blokady stopy wyrzynarki
6. Przyłącze do odprowadzenia pyłu
7. Stopa wyrzynarki
8. Rolka prowadząca brzeszczot
9. Regulacja przesuwu brzeszczotu

Dodatkowe wyposażenie (Rys. A)

Dodatkowe wyposażenie zależne jest od zakupionego modelu urządzenia. Na Rys. A przedstawione są opcje wyposażenia dodatkowego, zależne od numeru urządzenia.

Montaż

Uwaga! Przed przystąpieniem do każdej z poniższych czynności upewnij się, czy narzędzie jest wyłączone i wtyczka zasilania jest wyjęta z gniazda oraz ostrze zatrzymało się. W czasie eksploatacji brzeszczot może się rozgrzać.

Montaż i demontaż brzeszczotów (Rys. B i C)

Uwaga! Przed przystąpieniem do każdej z poniższych czynności upewnij się, czy narzędzie jest wyłączone i wtyczka zasilania jest wyjęta z gniazda oraz ostrze zatrzymało się. W czasie eksploatacji brzeszczot może się rozgrzać.

Montaż brzeszczotu (Rys. B)

- ◆ Trzymać brzeszczot (10) jak na rysunku, skierowany ząbkami do przodu.
- ◆ Popchnąć w dół i przytrzymać zacisk mocowania brzeszczotu (11).
- ◆ Włożyć trzonek brzeszczotu w uchwyt (12) aż do napotkania oporu.
- ◆ Puścić zacisk mocowania brzeszczotu (11).

Magazynek brzeszczotów (Rys. C)

Brzeszczoty (10) można przechowywać w magazynku (4) znajdującym się z boku narzędzia.

- ◆ Otworzyć pokrywę (4) magazynku brzeszczotów, przytrzymując zaczep na górze pokrywy i pociągając go na zewnątrz.
- ◆ Brzeszczoty umocowane są w magazynku na pasku magnetycznym. Aby wyjąć brzeszczot, należy nacisnąć jeden z jego końców i wyjąć go za podniesioną część.
- ◆ Zamknąć pokrywę magazynka brzeszczotów (4) i upewnić się, że jest dobrze zamknięty.

Uwaga! Przed rozpoczęciem pracy upewnij się, że magazynek jest dokładnie zamknięty.

Przyłączenie odkurzacza (Rys. D)

Aby przyłączyć odkurzacz lub wyciąg pyłu, konieczne jest użycie przejściówki (13).

- ◆ Wsunąć przejściówkę (13) w przyłącze do odprowadzania pyłu (6).
- ◆ Przyłączyć wąż odkurzacza (14) do przejściówki (13).

Wydmuch wiórów z linii cięcia (Rys. E)

- ◆ Aby zapewnić widoczność w czasie cięcia, opisywana wyrzynarka jest wyposażona w wydmuch wiórów z linii cięcia (15), który w czasie pracy oczyszcza miejsce cięcia z pyłu i wiórów.

Pozostałe zagrożenia

W czasie pracy elektronarzędziem mogą powstać zagrożenia, które nie zostały uwzględnione w załączonej instrukcji dotyczącej bezpiecznego użytkowania. Zagrożenia te mogą wynikać z niewłaściwego użytkowania, zbyt intensywnej eksploatacji lub tp. Należą do nich:

- ◆ Obrażenie spowodowane dotknięciem obrotowych/ruchomych części.

- ◆ Obrażenia spowodowane wymianą części, ostrzy lub akcesoriów.
- ◆ Obrażenia spowodowane długotrwałym użytkowaniem narzędzia. Pracując przez dłuższy czas, należy robić regularne przerwy.
- ◆ Uszkodzenie słuchu.
- ◆ Zagrozenia dla zdrowia spowodowane wdychaniem pyłu wytwarzanego podczas użytkowania narzędzia (np.: w czasie obróbki drewna, szczególnie dębu, buku i MDF).

Eksploatacja

Ustawianie stopy wyrzynarki do cięcia skośnego (Rys. F i G)

Uwaga! Nie wolno używać wyrzynarki ze zde-montowaną lub nie dokręconą stopą. Stopa wyrzynarki (7) może być ustawiana do cięcia skośnego zarówno w lewo jak i w prawo maksymalnie pod kątem 45°.

- ◆ Pociągnąć dźwignię blokady stopy wyrzynarki (5) na zewnątrz, aby odblokować stopę wyrzynarki (7) znajdującą się w pozycji 0°.
- ◆ Pociągnąć stopę wyrzynarki (7) do przodu i ustawić potrzebny kąt 15°, 30° lub 45°, zgodnie ze wskazaniem wskaźnika odchylenia wyrzynarki.
- ◆ Popchnąć dźwignię blokady stopy wyrzynarki (5) do tyłu, aby unieruchomić stopę wyrzynarki (7).

Aby z powrotem ustawić stopę wyrzynarki (7) do cięcia prostego:

- ◆ Pociągnąć dźwignię blokady stopy wyrzynarki (5) na zewnątrz, aby odblokować stopę wyrzynarki (7).
- ◆ Ustawić stopę wyrzynarki (7) pod kątem 0° i popchnąć do tyłu.
- ◆ Popchnąć dźwignię blokady stopy wyrzynarki (5) do tyłu, aby unieruchomić stopę wyrzynarki (7).

Regulacja przesuwu brzeszczotu (Rys. H)

- ◆ Ustawić regulację przesuwu brzeszczotu (9) w żądanej pozycji.
- ◆ Pozycja **0**: metal i aluminium oraz blachy.
- ◆ Pozycja **I**: laminaty, twarde drewno, cięcie na brzegu.
- ◆ Pozycja **II**: sklejka, PVC/tworzywa sztuczne.
- ◆ Pozycja **III**: miękkie drewno i szybkie cięcie.

Regulacja prędkości

- ◆ Ustawić gałkę regulacji prędkości (1) w wymaganej pozycji.
- ◆ Dużych prędkości używa się do cięcia drewna, średnich do cięcia aluminium i PVC

a niskich prędkości do cięcia innych metali niż aluminium.

Włączanie i wyłączanie

- ◆ Aby włączyć urządzenie, należy nacisnąć wyłącznik (2).
- ◆ Aby wyłączyć narzędzie, zwolnić wyłącznik (2).
- ◆ Aby włączyć pracę ciągłą, należy nacisnąć przycisk blokady wyłącznika (3) i zwolnić wyłącznik (2).
- ◆ Aby wyłączyć narzędzie pracujące w trybie ciągłym, należy nacisnąć wyłącznik (2) i zwolnić go.

Cięcie

W czasie pracy trzymaj narzędzie mocno obiema rękami. Stopę wyrzynarki (7) należy mocno oprzeć na ciętym materiale. Pomoże to uniknąć podskakiwania piły, nadmiernych wibracji i złama-nia brzeszczotu.

- ◆ Przed rozpoczęciem cięcia pozwól pile popracować chwilę bez obciążenia.
- ◆ W czasie cięcia należy na pilę oddziaływać jedynie niedużą siłą.

Obsługa lasera (Rys. I - L) (dot. wyłącznie KS900EL)

Montaż baterii (Rys. I)

Oddzielić moduł lasera (17) od wyrzynarki poprzez odkręcenie śrub (16) i pociągnięcie modułu lasera do przodu. Włożyć dwie nowe baterie alkaliczne typu AAA 1.5 Volt upewniając się, że bieguny (+) i (-) zostały podłączone poprawnie. Zamontować z powrotem moduł lasera (17).

Regulacja lasera (Rys. J)

Uwaga: Laser służy jako pomoc w cieciu i nie gwarantuje dokładności cięcia.

Uwaga! Nie wolno regulować lasera, gdy wyrzynarka podłączona jest do źródła zasilania.

- ◆ Gdy jest taka potrzeba, należy za pomocą śruby regulacyjnej (18) ustawić laser w jednej linii z brzeszczotem.

Jasność wiązki laserowej (moc) zmniejsza się, gdy wyrzynarka jest przegrzana. Laser może stać się niewidoczny, gdy wyrzynarka przez dłuższy czas jest przeciążona. Widoczność lasera będzie stopniowo powracać do normy w miarę, jak narzędzie będzie stygło. Także, jeśli jest odłączone od zasilania.

Uwaga! Nie wolno pozostawiać włączonego przegrzanego lasera. Upewnij się, że wyłącznik jest w pozycji WYŁĄCZONE i wyjmij baterie z lasera, aby usunąć źródło zasilania.

Użycie lasera (Rys. K - L)

Laser wskazuje linię cięcia (21) na powierzchni ciętego materiału.

- ◆ Aby włączyć laser, należy nacisnąć przycisk (19).
- ◆ Aby wyłączyć laser, należy powtórnie nacisnąć przycisk (19).

Patrząc dokładnie nad wyrzynarką, można w łatwy sposób ciąć wzdłuż zaprojektowanej linii cięcia (21). W przypadku ograniczonej widoczności, laser może służyć jako rodzaj alternatywnej prowadnicy.

- ◆ Zaznaczyć ołówkiem linię cięcia (20).
- ◆ Ustawić wyrzynarkę na linii cięcia (20).
- ◆ Włączyć laser.

Wskazówki praktyczne

Cięcie tworzyw sztucznych

Podczas cięcia laminatów, może wystąpić strzępienie brzegów szpeczące powierzchnię zewnętrzną. Większość brzeszczotów tnie podczas ruchu do góry, dlatego jeśli stopa wyrzynarki ma się opierać o powierzchnię zewnętrzną, lepiej jest użyć brzeszczotów tnących w czasie ruchu w dół, lub:

- ◆ Używaj brzeszczotów z drobnymi ząbkami.
- ◆ Tnij materiał od "lewej" strony.
- ◆ Aby zminimalizować powstające nierówności, ściśnij cięty materiał kawałkami drewna lub płyty pilśniowej i tnij wszystkie warstwy jednocześnie.

Cięcie metalu

Pamiętaj, że cięcie metalu zajmuje dużo więcej czasu niż cięcie drewna.

- ◆ Używaj brzeszczotów przeznaczonych do cięcia metali.
- ◆ W przypadku cięcia cienkich blach przyciśnij kawałek drewna od spodu blachy i tnij wszystkie warstwy na raz.
- ◆ Nałóż cienką warstwę oleju wzdłuż linii cięcia.

Konserwacja

Narzędzia Black & Decker zostały zaprojektowane tak, aby zapewnić długoletnią, prawie bezobsługową, pracę urządzenia. Aby długo cieszyć się właściwą pracą urządzenia, należy odpowiednio z nim postępować i regularnie je czyścić.

- ◆ Okresowo oczyścić otwory wentylacyjne narzędzia, za pomocą miękkiej szczoteczki lub suchej ściereczki.
- ◆ Okresowo oczyścić obudowę wilgotną ściereczką. Nie wolno używać preparatów do

szorowania ani na bazie rozpuszczalników. Nigdy nie dopuszczaj do dostania się jakichkolwiek płynów do wnętrza narzędzia i nigdy nie zanurzać żadnych części narzędzia w płynach.

Wymiana wtyczki zasilania (tylko Wielka Brytania i Irlandia)

Jeśli trzeba założyć nową wtyczkę zasilającą:

- ◆ Odpowiednio zutylizuj starą wtyczkę.
- ◆ Podłącz brązowy przewód do końcówki napięcia nowej wtyczki.
- ◆ Podłącz niebieski przewód do końcówki neutralnej.

Ostrzeżenie! Nie podłączaj przewodów do końcówki uziemienia. Wykonaj instrukcje dołączone do wtyczek dobrej jakości. Zalecany bezpiecznik: 5 A.

Ochrona środowiska



Selektywna zbiórka odpadów. Opisywanego produktu nie wolno utylizować razem ze zwykłymi śmieciami z gospodarstw domowych.

Gdy okaże się, że konieczna jest wymiana posiadanego narzędzia Black & Decker lub nie będzie się go więcej używać, nie należy wyrzucać go razem ze śmieciami z gospodarstwa domowego. Należy przekazać produkt do punktu selektywnej zbiórki odpadów.



Selektywna zbiórka zużytych produktów i opakowań pozwala na powtórne wykorzystanie zużytych materiałów. Powtórne użycie materiałów pomaga chronić środowisko naturalne przed zanieczyszczeniem i zmniejsza zapotrzebowanie na surowce.

Miejscowe prawodawstwo może wymagać osobnej zbiórki zużytych urządzeń elektrycznych z gospodarstw domowych, zbiórki na terenie składowisk lub u sprzedawcy w przypadku zakupu nowego urządzenia.

Black & Decker zapewnia możliwość zbiórki i recyklingu swoich produktów po zakończeniu okresu eksploatacji. Aby skorzystać z tej możliwości, prosimy zwrócić się do jednego z Autoryzowanych Przedstawicieli Serwisowych, który odbierze je od Państwa w naszym imieniu.

Adres najbliższego Autoryzowanego Przedstawiciela Serwisowego otrzymają Państwo kontaktując się z lokalnym biurem Black & Decker, którego adres zamieszczony jest w tej instrukcji. Lista autoryzowanych przedstawicieli

serwisowych oraz pełna informacja na temat naszego serwisu posprzedażnego, dostępne są na stronie internetowej: www.2helpU.com.

Akumulatory



Po zakończeniu okresu eksploatacji należy je zutylizować w sposób bezpieczny dla środowiska naturalnego:

- ◆ Nie wolno dopuszczać do zwarcia biegunów akumulatora.
- ◆ Nie wolno wrzucać zużytych akumulatorów do ognia, ponieważ grozi to zranieniem lub wybuchem.
- ◆ Całkowicie rozładować baterię, następnie wyjąć ją z narzędzia.
- ◆ Baterie podlegają recyklingowi. Należy umieścić je w opakowaniu zabezpieczającym przed zwarcie biegunów. Zanieś je do Autoryzowanego Serwisu lub miejscowego punktu recyklingu.

Dane techniczne

	KS900E TYP 1	KS900EL TYP 1
Napięcie zasilania	V 230	
Moc na wejściu	W 600	
Prędkość bez obciążenia	min ⁻¹ 800-3000	
Maksymalna głębokość cięcia		
Drewno	mm 85	
Stal	mm 5	
Aluminium	mm 15	
Waga	kg 2,36	
(z laserem)	kg 2,66	

Poziom ciśnienia akustycznego zgony z EN 60745:

L_{pA} (ciśnienie akustyczne) 87 dB(A), wahania (K) 3 dB(A), L_{WA} (moc akustyczna) 98 dB(A), wahania (K) 3 dB(A)

Sumaryczna wielkość drgań (suma wektorów trzech osi) zgodnie z normą EN 60745:

Cięcie drewna ($a_{h,CW}$) 10,5 m/s², wahania (K) 1,5 m/s², Cięcie blach ($a_{h,CM}$) 14,5 m/s², wahania (K) 1,5 m/s²

Deklaracja zgodności UE

DYREKTYWA MASZYNOWA



Firma Black & Decker oświadcza, że opisywane produkty KS900E, KS900EL spełniają wymagania norm: 2006/42/EC, EN60745-1, EN60745-2-11

Aby otrzymać więcej informacji, należy skontaktować się z firmą Black & Decker pod adresem podanym poniżej lub na końcu instrukcji.

Osoba niżej podpisana jest odpowiedzialna za zestawienie informacji technicznych i sporządza tę deklarację w imieniu firmy Black & Decker.

Kevin Hewitt
Wiceprezes ds. Inżynierii
Globalnej
Black & Decker Europe,
210 Bath Road, Slough,
Berkshire, SL1 3YD
Wielka Brytania
10-02-2010

Black & Decker

WARUNKI GWARANCJI:

Firma Black & Decker jest pewna jakości swoich produktów i oferuje dla nich doskonałą gwarancję. Niniejsze warunki gwarancji nie pomniejszają praw klienta wynikających z polskich regulacji ustawowych lecz są ich uzupełnieniem. Gwarancja jest ważna na terenie Rzeczypospolitej Polskiej.

Black & Decker gwarantuje sprawne działanie produktu w przypadku postępowania zgodnego z warunkami techniczno-eksploatacyjnymi opisanymi w instrukcji obsługi.

Niniejszą gwarancją nie jest objęte dodatkowe wyposażenie, jeżeli nie została do niego dołączona oddzielna karta gwarancyjna oraz elementy wyrobu podlegające naturalnemu zużyciu.

1. Niniejszą gwarancją objęte są usterki produktu spowodowane wadami produkcyjnymi i wadami materiałowymi.
2. Niniejsza gwarancja jest ważna po przedstawieniu przez Klienta w Centralnym Serwisie Gwarancyjnym reklamowanego produktu oraz łącznie:
 - a) poprawnie wypełnionej karty gwarancyjnej;
 - b) ważnego paragonu zakupu z datą sprzedaży taką, jak w karcie gwarancyjnej lub kopii faktury.
3. Gwarancja obejmuje bezpłatną naprawę urządzenia (wraz z bezpłatną wymianą uszkodzonych części) w okresie 24 miesięcy od daty zakupu.
4. Produkt reklamowany musi być:
 - a) dostarczony bezpośrednio do Centralnego Serwisu Gwarancyjnego wraz z poprawnie wypełnioną Kartą Gwarancyjną i ważnym paragonem zakupu (lub kopią faktury) oraz szczegółowym opisem uszkodzenia, lub
 - b) przesłany do Centralnego Serwisu Gwarancyjnego za pośrednictwem punktu sprzedaży wraz z dokumentami wymienionymi powyżej.
5. Koszty wysyłki do Centralnego Serwisu Gwarancyjnego ponosi Serwis. Wszelkie koszty związane z zapewnieniem bezpiecznego opakowania, ubezpieczeniem i innym ryzykiem ponosi Klient. W przypadku odrzucenia roszczenia gwarancyjnego, produkt jest odsyłany do miejsca nadania na koszt adresata.
6. Usterki ujawnione w okresie gwarancji będą usunięte przez Centralny Serwis Gwarancyjny w terminie:
 - a) 14 dni roboczych od daty przyjęcia produktu przez Centralny Serwis Gwarancyjny;
 - b) termin usunięcia wady (punkt 6a) może być wydłużony o czas niezbędny do importu niezbędnych części zamiennych.
7. Klient otrzyma nowy sprzęt, jeżeli:
 - a) Centralny Serwis Gwarancyjny stwierdzi na piśmie, że usunięcie wady jest niemożliwe;
 - b) produkt nie podlega naprawie, tylko wymianie bez dokonywania naprawy.
8. O ile taki sam produkt jest nieosiągalny, może być wydany nowy produkt o nie gorszych parametrach.
9. Decyzja Centralnego Serwisu Gwarancyjnego odnośnie zasadności zgłaszanych usterek jest decyzją ostateczną.
10. Gwarancją nie są objęte:
 - a) wadliwe działanie lub uszkodzenia spowodowane niewłaściwym użytkowaniem lub użytkowaniem produktu niezgodnie z przeznaczeniem, instrukcją obsługi lub przepisami bezpieczeństwa. W szczególności profesjonalne użytkowanie amatorskich narzędzi Black & Decker powoduje utratę gwarancji;
 - b) wadliwe działanie lub uszkodzenia spowodowane przeciążaniem narzędzia, które prowadzi do uszkodzeń silnika, przekładni lub innych elementów a także stosowaniem osprzętu innego niż zalecany przez Black & Decker;
 - c) mechaniczne uszkodzenia produktu i wywołane nimi wady;
 - d) wadliwe działanie lub uszkodzenia na skutek działania pożaru, powodzi, czy też innych klęsk żywiołowych, nieprzewidzianych wypadków, korozji, normalnego zużycia w eksploatacji czy też innych czynników zewnętrznych;
 - e) produkty, w których naruszone zostały plomby gwarancyjne lub, które były naprawiane poza Centralnym Serwisem Gwarancyjnym lub były przerabiane w jakikolwiek sposób;
 - f) osprzęt eksploatacyjny dołączony do urządzenia oraz elementy ulegające naturalnemu zużyciu.
11. Centralny Serwis Gwarancyjny, firmy handlowe, które sprzedały produkt, nie udzielają upoważnień ani gwarancji innych niż określone w karcie gwarancyjnej. W szczególności nie obejmują prawa klienta do domagania się zwrotu utraconych zysków w związku z uszkodzeniem produktu.
12. Gwarancja nie wyłącza, nie ogranicza ani nie zawiesza uprawnień kupującego wynikających z niezgodności towaru z umową.

Centralny Serwis Gwarancyjny ERPATECH
ul. Bakaliowa 26, 05-080 Mościska
tel.: (22) 862-08-08, (22) 431-05-05
faks: (22) 862-08-09

Použitie výrobku

Vaša priamočiara píla Black & Decker je určená na rezanie dreva, plastov a kovových obrobkov. Tento výrobok je určený len na spotrebiteľské použitie.

Bezpečnostné pokyny

Všeobecné bezpečnostné pokyny pre prácu s elektrickým náradím



Varovanie! Pozorne si prečítajte všetky bezpečnostné varovania a pokyny.

Nedodržanie uvedených pokynov môže spôsobiť úraz elektrickým prúdom, vznik požiaru alebo iné vážne poranenie.

Tieto bezpečnostné varovania a pokyny uschovajte pre prípadné ďalšie použitie.

Označenie "elektrické náradie" vo všetkých nižšie uvedených upozorneniach odkazuje na Vaše náradie napájané zo siete (obsahuje napájací prírodný kábel) alebo náradie napájané batériami (bez kábla).

1. Bezpečnosť v pracovnom priestore

- Udržujte pracovný priestor čistý a dobre osvetlený.** Neporiadok na pracovisku a nedostatočné osvetlenie pracovného priestoru môže viesť k vzniku nehody.
- S elektrickým náradím nepracujte vo výbušných priestoroch, ako sú napríklad priestory s výskytom horľavých kvapalín, plynov alebo prašných látok.** Náradie je zdrojom iskrenia, ktoré môže zapáliť prach alebo výpar.
- Pri práci s elektrickým náradím dbajte na to, aby sa do jeho blízkosti nedostali deti a okolo stojace osoby.** Rozptyľovanie môže spôsobiť stratu kontroly nad náradím.

2. Elektrická bezpečnosť

- Zástrčka prírodného kábla náradia musí zodpovedať zásuvke. Nikdy akýmkoľvek spôsobom zástrčku neupravujte. Pri náradí, ktoré je chránené uzemnením nepoužívajte akékoľvek redukcie zástrčiek.** Neupravované zástrčky a zodpovedajúce zásuvky znižujú riziko vzniku úrazu elektrickým prúdom.
- Vyvarujte sa dotyku s uzemnenými plochami ako je potrubie, radiátory, sporáky a chladničky.** Pri uzemnení Vášho tela vzrastá riziko úrazu elektrickým prúdom.
- Nevystavujte elektrické náradie dažďu alebo vlhkému prostrediu.** Pokiaľ do

náradia vnikne voda, zvýši sa riziko úrazu elektrickým prúdom.

- S prírodným káblom zaobchádzajte opatrne. Nikdy nepoužívajte prírodný kábel na prenášanie náradia, na jeho posúvanie a pri odpájaní náradia od elektrickej siete za neho neťahajte. Zabráňte kontaktu kábla s horúcimi, masťnými a ostrými predmetmi a pohyblivými časťami náradia.** Poškodený alebo zapletený prírodný kábel zvyšuje riziko vzniku úrazu elektrickým prúdom.
 - Pri práci s náradím vonku používajte predĺžovacie káble určené na vonkajšie použitie.** Použitie kábla na vonkajšie použitie znižuje riziko úrazu elektrickým prúdom. Použitie kábla na vonkajšie použitie znižuje riziko úrazu elektrickým prúdom.
 - Pri práci s elektrickým náradím vo vlhkom prostredí je nevyhnutné používať prúdový chránič (RCD).** Použitie prúdového chrániča RCD znižuje riziko úrazu elektrickým prúdom.
- ### 3. Bezpečnosť osôb
- Zostaňte stále pozorní, sledujte, čo vykonávate a pri práci s náradím premýšľajte. S náradím nepracujte, ak ste unavení alebo ak ste pod vplyvom omamných látok, alkoholu alebo liekov.** Chvilka nepozornosti pri práci s náradím môže viesť k vážnemu úrazu.
 - Používajte prostriedky na ochranu osôb. Vždy používajte ochranu zraku.** Ochranné prostriedky, ako respirátor, nekávavá pracovná obuv, pokrývka hlavy a chrániče sluchu znižujú riziko poranenia osôb.
 - Zabráňte náhodnému zapnutiu. Pred pripojením k zdroju napätia alebo pred vložením akumulátora, zdvíhaním alebo prenášaním náradia skontrolujte, či je hlavný vypínač vypnutý.** Prenášanie náradia s prstom na hlavnom vypínači alebo pripojenie prírodného kábla k elektrickému rozvodu, ak je hlavný vypínač náradia v zapnutej polohe, môže spôsobiť úraz.
 - Pred zapnutím náradia sa vždy uistite, či nie sú v jeho blízkosti kľúče alebo nastavovacie prípravky.** Ponechané kľúče môžu byť zachytené rotujúcimi časťami náradia a môžu spôsobiť úraz.
 - Neprekážajte sami sebe. Pri práci vždy udržujte vhodný a pevný postoj.** To umožní lepšiu ovládateľnosť náradia v neočakávaných situáciách.

- f. **Vhodne sa obliekajte. Nenoste voľné šatstvo alebo šperky. Vaše vlasy, odev a rukavice držte mimo dosahu pohyblivých častí.** Voľné šaty, šperky alebo dlhé vlasy môžu byť pohyblivými dielmi zachytené.
- g. **Ak je zariadenie vybavené adaptérom na pripojenie zariadenia na zachytávanie prachu, zaistíte jeho správne pripojenie a riadne fungovanie.** Použitie týchto zariadení môže znížiť nebezpečenstvo týkajúce sa prachu.
4. **Prevádzka a údržba elektrického náradia**
- a. **Náradie nepreťažujte. Používajte správny typ náradia pre Vašu prácu.** Pri použití správneho typu náradia bude práca vykonaná lepšie a bezpečnejšie .
- b. **Ak nejde hlavný vypínač náradia zapnúť a vypnúť, s náradím nepracujte.** Elektrické náradie, ktoré nemôže byť ovládané hlavným vypínačom je nebezpečné a musí byť opravené.
- c. **Pred výmenou akýchkoľvek častí, príslušenstva či iných pripojených súčastí, pred prevádzkaním servisu alebo pokiaľ náradie nepoužívate, odpojte ho od elektrickej siete a/ alebo vyberte akumulátor.** Tieto preventívne bezpečnostné opatrenia znižujú riziko náhodného zapnutia náradia.
- d. **Ak náradie nepoužívate, uložte ho mimo dosahu detí a zabránite osobám neoboznámeným s obsluhou náradia alebo s týmto návodom, aby s náradím pracovali.** Elektrické náradie je v rukách nekvalifikovanej obsluhy nebezpečné.
- e. **Údržba náradia. Skontrolujte vychýlenie či zaseknutie pohyblivých častí, poškodenie jednotlivých dielov a iné okolnosti, ktoré môžu mať vplyv na chod náradia. Pokiaľ je náradie poškodené, nechajte ho pred použitím opraviť.** Veľa nehôd býva spôsobených nedostatočnou údržbou náradia.
- f. **Rezné nástroje udržiavajte ostré a čisté.** Riadne udržiavané rezné nástroje s ostrými reznými brítmí sú menej náchylné na zanášanie nečistotami a sú lepšie ovládateľné.
- g. **Náradie, príslušenstvo a nástavce používajte podľa týchto pokynov a spôsobom, ktorý je určený pre daný typ náradia. Berte do úvahy aj prevádzkové podmienky a prácu, ktorú je nutné vykonať.** Použitie náradia na iné účely, než na aké je určené, môže byť nebezpečné.

5. Opravy

- a. **Opravy elektrického náradia zverte kvalifikovanému technikovi, ktorý používa vhodné náhradné diely.** Tým zaistíte bezpečnú prevádzku náradia.

Doplnkové bezpečnostné pokyny pre prácu s elektrickým náradím



Varovanie! Doplnkové bezpečnostné pokyny pre prácu s priamočiarými píliami.

- ♦ **Pri pracovných operáciách, pri ktorých by mohlo dôjsť ku kontaktu so skrytými vodičmi alebo s vlastným prívodným káblom, držte elektrické náradie vždy za izolované rukoväti.** Pri kontakte pracovného príslušenstva so „živým“ vodičom môžu neizolované kovové časti elektrického náradia spôsobiť obsluhu úraz elektrickým prúdom.
- ♦ **Obrobok si k pevnej podložke upnite pomocou svoriek či iným vhodným spôsobom.** Prichytenie obrobku rukou alebo k telu je nestabilné a môže viesť k strate kontroly.
- ♦ **Ruky držte mimo oblasť rezania.** Nikdy z akéhokoľvek dôvodu nesiahajte pod rezaný materiál. Nezasahujte prstami alebo palcom do blízkosti pílového listu a upínania pílového listu. Nespevňujte pílu uchopením za pätku.
- ♦ **Pílové listy udržiavajte ostré.** Otupené alebo poškodené pílové listy môžu spôsobiť odchýlenie alebo zaseknutie píly. Vždy používajte vhodný pílový list pre daný typ opracovávaného materiálu a daný typ rezu.
- ♦ **Pri rezaní potrubí alebo elektroinštalčných trúbiek sa uistite, či nimi nepreteká voda alebo či tadiaľ nevedie elektrická kabeláž a pod.**
- ♦ **Ľneď po skončení rezu sa nedotýkajte obrobku ani pílového listu.** Môžu byť veľmi rozpálené.
- ♦ **Pred rezaním do stien, podláh a stropov si buďte vedomí skrytých rizík, dopredu skontrolujte, kadiaľ je natiahnuté potrubie a elektrické vedenie.**
- ♦ **Po uvoľnení vypínača sa pílový list ešte chvíľu pohybuje.** Pred odložením pílu vždy vypnite a počkajte, až sa pílový list celkom zastaví.

Varovanie! Pobyt v prašnom prostredí a vdychnutie prachu pri rezaní môže ohroziť zdravie obsluhy náradia a okolo stojacich osôb. Používajte masku proti prachu určenú špeciálne na ochranu pred toxickým prachom a podobnými

spodninami a zaistíte, aby boli takto chránené všetky osoby nachádzajúce sa alebo vstupujúce do pracovného priestoru.

- ♦ Použitie tohto náradia je popísané v tomto návode. Použitie akéhokoľvek iného príslušenstva alebo prídavných zariadení, alebo akéhokoľvek iné využitie tohto náradia, než je popísané v tomto návode na použitie, môže mať za následok riziko poranenia osôb alebo škody na majetku.

Bezpečnosť ostatných osôb

- ♦ Tento prístroj nie je určený na použitie osobami (vrátane detí) so zníženými fyzickými, zmyslovými alebo duševnými schopnosťami, alebo s nedostatkom skúseností a znalostí, pokiaľ tieto osoby nepracujú pod dohľadom, alebo pokiaľ im neboli poskytnuté inštrukcie týkajúce sa použitia prístroja osobou zodpovednou za ich bezpečnosť.
- ♦ Deti by mali byť pod dozorom, aby sa s náradím nehrali.

Vibrácie

Deklarovaná úroveň vibrácií uvedená v technických údajoch a v prehlásení o zhode bola meraná v súlade so štandardnou skúšobnou metódou predpísanou normou EN 60745 a môže sa použiť na porovnanie jednotlivých náradí medzi sebou. Deklarovaná úroveň vibrácií môže byť tiež použitá na predbežné stanovenie doby práce s týmto výrobkom.

Varovanie! Úroveň vibrácií pri aktuálnom použití elektrického náradia sa môže od deklarovanej úrovne vibrácií líšiť v závislosti od spôsobu použitia výrobku. Úroveň vibrácií môže byť oproti uvedenej hodnote vyššia.

Pri stanovení doby vystavenia sa vibráciám a určení bezpečnostných opatrení podľa normy 2002/44/EC na ochranu osôb pravidelne používajúcich elektrické náradie v zamestnaní by mal predbežný odhad pôsobenia vibrácií brať do úvahy aktuálne podmienky použitia náradia s prihliadnutím na všetky časti pracovného cyklu, ako aj času, počas ktorého je náradie vypnuté a kedy beží naprázdno.

Štítky na náradí



Varovanie! Aby ste znížili riziko vzniku úrazu musí byť obsluha oboznámená s týmto návodom na použitie.

Elektrická bezpečnosť



Toto náradie je chránené dvojitou izoláciou; preto nie je nutné použitie zemniaceho vodiča. Vždy skontrolujte, či zdroj napätia zodpovedá veľkosti napätia uvedenému na výkonovom štítku prístroja.

- ♦ Ak dôjde k poškodeniu prírodného kábla, musí sa tento z bezpečnostných dôvodov vymeniť výrobcom alebo v autorizovanom servisnom stredisku Black & Decker.

Ďalšie bezpečnostné pokyny týkajúce sa štandardných, nedobijateľných batérií

- ♦ Nikdy sa nepokúšajte batérie rozoberať.
- ♦ Neskladujte tieto batérie na miestach, kde môže teplota prekročiť 40°C.
- ♦ Pri likvidácii batérií dodržujte pokyny uvedené v časti "Ochrana životného prostredia".
- ♦ Nevhadzujte batérie do ohňa a nespáľujte ich.
- ♦ V extrémnych podmienkach môže dochádzať k únikom z batérií. Ak zistíte na povrchu batérie prítomnosť kvapaliny, postupujte nasledovne:
 - Opatrne kvapalinu zotrite pomocou handričky. Dbajte na to, aby nedošlo ku kontaktu kvapaliny s pokožkou.

Ďalšie bezpečnostné pokyny týkajúce sa laserov



Prečítajte si starostlivo celý tento návod.



Tento výrobok nie je určený pre osoby mladšie ako 16 rokov.



Laserové žiarenie.



Nepozerajte sa do laserového lúča.



Na sledovanie laserového lúča nepoužívajte optické prístroje.

- ♦ Tento laser zodpovedá triede 2 podľa EN 60825-1:2007. Nevymieňajte laserové diódy za iný typ. Ak dôjde k poruche, zverte opravu prístroja autorizovanému servis.
- ♦ Nepoužívajte laser za iným účelom, než je projekcia laserových lúčov.
- ♦ Vystavenie zraku pôsobeniu laserového lúča triedy 2 je považované za bezpečné len v prípade, že nepresiahne táto doba 0,25 sekundy. Reflexy očných viečok bežne poskytujú dostatočnú ochranu. Vo vzdialenosti väčšej než 1 m zodpovedá tento

laser triede 1 a preto je považovaný za úplne bezpečný.

- ◆ Nikdy sa do laserového lúča nepozerajte zámerne a priamo.
- ◆ Na sledovanie laserového lúča nepoužívajte optické prístroje.
- ◆ Nenastavujte prístroj do takej výšky, aby mohol laserový lúč prechádzať cez osoby vo výške ich hláv.
- ◆ Nedovoľte deťom, aby sa približovali do blízkosti lasera.

Popis

1. Regulátor otáčok
2. Hlavný vypínač
3. Poistné tlačidlo
4. Úložný priestor na pílové listy
5. Zariadenie pätky píly
6. Výstupný otvor odsávania
7. Pätko píly
8. Vodiaci valec pílového listu
9. Predkmit

Doplňujúce funkcie (obr. A)

Doplňujúce funkcie sú k dispozícii podľa typu zakúpeného výrobku. Doplnujúce funkcie, ktoré je možné využívať, sú zobrazené podľa katalógového čísla na obr. A.

Montáž

Varovanie! Pred prevádzkaním nižšie uvedeníých operácií skontrolujte, či je náradie vypnuté a odpojené od siete a či sa list píly nepohybuje. Použitie pílové listy môžu byť horúce.

Nasadenie a vybratie pílového listu (obr. B a C)

Varovanie! Pred vykonávaním nižšie uvedených operácií skontrolujte, či je náradie vypnuté a odpojené od siete a či sa list píly nepohybuje. Použitie pílové listy môžu byť horúce.

Montáž pílového listu (obr. B)

- ◆ Uchopte pílový list (10) podľa nákresu tak, aby jeho zuby smerovali dopredu.
- ◆ Stlačte dole a pridržiňte páčku na uchytenie pílového listu (11).
- ◆ Zasuňte upínaciu stopku pílového listu čo najďalej do držiaka pílového listu (12).
- ◆ Páčku (11) uvoľnite.

Uloženie pílového listu (obr. C)

Pílové listy (10) sa môžu uschovať v úložnom priestore (4) na bočnej strane náradia.

- ◆ Kryt úložného priestoru pílových listov (4) otvoríte tak, že uchopíte jazýček umiestnený

na hornej strane krytu a potiahnete ním smerom von.

- ◆ Pílové listy sú v úložnom priestore uchytené pomocou magnetického prúžku. Pílový list vyberte stlačením jedného konca pílového listu, čím dôjde k zdvihnutiu jeho druhého konca a pílový list sa môže vybrať.
- ◆ Uzavríte kryt úložného priestoru na pílové listy (4) a uistite sa, či západky zacvakli.

Varovanie! Pred zapnutím píly sa uistite, či je kryt úložného priestoru riadne uzavretý.

Pripojenie vysávača k náradiu (obr. D)

Na pripojenie vysávača alebo odsávača prachu k náradiu musí byť použitý adaptér (13).

- ◆ Adaptér (13) pripojte k výstupnému otvoru na odsávanie (6).
- ◆ Pripojte k adaptéru (13) hadicu vysávača (14).

Čistenie reznej línie (obr. E)

- ◆ Na zlepšenie viditeľnosti pri rezaní je vaša píla vybavená dúchadlom (15), ktoré ofukovaním miesta rezu zaistí čistotu pracovnej oblasti pri rezaní.

Ostatné riziká

Ak sa používa náradie, ktoré nie je popísané v priložených bezpečnostných varovaniach, môžu sa objaviť dodatočné zbytkové riziká. Tieto riziká môžu vzniknúť v dôsledku nesprávneho použitia, dlhodobého používania atď.

Napriek tomu, že sa dodržiavajú príslušné bezpečnostné predpisy a že sa používajú bezpečnostné zariadenia, nemôžu byť vylúčené isté zostatkové riziká. Tieto riziká sú nasledujúce:

- ◆ Zranenia spôsobené kontaktom s akoukoľvek rotujúcou alebo pohybujúcou sa časťou.
- ◆ Zranenia spôsobené pri výmene dielov, pracovného nástroja alebo príslušenstva.
- ◆ Poranenia spôsobené dlhodobým použitím náradia. Ak používate akékoľvek náradie dlhšiu dobu, zaistíte, aby sa robili pravidelné prestávky.
- ◆ Poškodenie sluchu.
- ◆ Zdravotné riziká spôsobené vdychovaním prachu vytváraného pri použití náradia (príklad: -práca s drevom, zvlášť s dubovým, bukovým a MDF.)

Použitie

Nastavenie pätky píly na vykonávanie pokosových rezov (obr. F a G)

Varovanie! Náradie nepoužívajte v prípade, že je pätko píly uvoľnené alebo odmontované. Pätko píly (7) je možné nakloniť vľavo či vpravo až o 45°.

- ♦ Zaistenie pätky píly (5) vysuňte smerom von tak, aby sa pätká píly (7) z polohy 0° odistila.
- ♦ Pätku píly (7) vytiahnite dopredu a nastavte požadovaný sklon 15°, 30° a 45° zobrazený v okienku nastavenia pokosu.
- ♦ Blokovaciu páčku pätky píly (5) zasuňte späť smerom k píle tak, aby sa pätká píly (7) zaistila.

Zarovnanie pätky píly (7) pri rezaní rovných rezov:

- ♦ Blokovaciu páčku (5) vysuňte smerom von tak, aby sa pätká píly (7) odistila.
- ♦ Pätku píly (7) nastavte na uhol 0° a zasuňte ju späť.
- ♦ Blokovaciu páčku pätky píly (5) zasuňte späť smerom k píle tak, aby sa pätká píly (7) zaistila.

Nastavenie predkmitu (obr. H)

- ♦ Nastavte volič predkmitu (9) do požadovanej polohy.
- ♦ Poloha 0: kov, hliník a oceľový plech.
- ♦ Poloha I: vrstvené dosky, tvrdé drevo.
- ♦ Poloha II: preglejka a PVC/plasty.
- ♦ Poloha III: mäkké drevo a rýchle rezanie.

Regulácia otáčok

- ♦ Nastavte regulátor otáčok (1) do polohy, ktorá bude zodpovedať požadovaným otáčkam.
- ♦ Vysokú rýchlosť používajte pri rezaní dreva, strednú rýchlosť pri rezaní hliníka a PVC a nízku rýchlosť na rezanie kovov okrem hliníka.

Zapnutie a vypnutie

- ♦ Ak chcete pílu zapnúť, stlačte hlavný vypínač (2).
- ♦ Ak chcete náradie vypnúť, uvoľnite hlavný vypínač (2).
- ♦ Nepretržitý chod zaistíte stlačením zaistovacieho tlačidla (3) a uvoľnením hlavného vypínača (2).
- ♦ Náradie bežiacie v nepretržitom chode vypnete stlačením a uvoľnením hlavného vypínača (2).

Rezanie

Pri rezaní držte pílu pevne oboma rukami. Pätká píly (7) by mala byť pevne pritlačená k rezanému obrobku. Tým sa napomôže ochrane pred odskočením píly, znížia sa vibrácie a minimalizuje sa možnosť zlomenia pílového listu.

- ♦ Pred začatím rezania nechajte pár sekúnd kmitať pílový list naprázdno.
- ♦ Pri rezaní tlačte na náradie len ľahko.

Práca s laserom (obr. I - L) (iba pre modely KS900EL)

Inštalácia batérii (obr. I)

Laserový modul (17) odpojte od píly vybratím skrutky (16) a následným potiahnutím laserového modulu smerom dopredu. Vložte dve nové alkalické batérie 1,5 V typu AAA tak, aby správne zodpovedali pólmí (+) a (-). Laserový modul (17) nasadte späť.

Zarovnanie laserového lúča (obr. J)

Poznámka: Laser je určený ako pomocný prostriedok na vedenie rezu a nezaručuje absolútne presné prevedenie rezu.

Varovanie! Nastavovanie lasera nevykonávajte, pokiaľ je píla pripojená k elektrickej sieti.

- ♦ Podľa potreby pomocou nastaviteľnej skrutky (18) vyrovnajte smer laserového lúča s pätkou píly.

Viditeľnosť lasera (výkon) je znížená, pokiaľ je píla prehriata. Laserový lúč nemusí byť viditeľný, pokiaľ píla pracuje dlhšiu dobu preťažená. Viditeľnosť laserového lúča sa vráti na normálnu úroveň po vychladnutí píly alebo po odpojení píly od elektrického prívodu.

Varovanie! Neponechávajte prehriaty laser v polohe zapnutej (ON). Uistite sa, či je vypínač v polohe vypnutej (OFF) a vyberte batérie, aby sa prerušilo napájanie lasera.

Použitie lasera (obr. K - L)

Laser premieta čiaru rezu (21) na povrch obrobku.

- ♦ Ak chcete laser zapnúť, stlačte tlačidlo (19).
- ♦ Ak chcete laser vypnúť, stlačte opäť tlačidlo (19).

Sledovaním vyznačenej línie (21) priamo zhora píly môžete jednoducho previesť vlastný rez. Pokiaľ by tomuto sledovaniu bolo z akéhokoľvek dôvodu zabránené, je možné ako alternatívu pre presné vedenie rezu použiť laserový lúč.

- ♦ Ceruzkou si vyznačte líniu rezu (20).
- ♦ Pílu si umiestnite nad vyznačenú líniu (20).
- ♦ Zapnite laser.

Užitočné rady pre prácu s náradím

Rezanie vrstvených materiálov

Pri rezaní vrstvených dosák môžu vzniknúť úlomky, ktoré povrch dosky znehodnotia. Najpoužívanejšie pílové listy režu pri zdvíhaní smerom hore, preto pokiaľ je pätká píly pritlačená na lícovú stranu dosky, použite pílový list, ktorý reže smerom dole, alebo:

- ♦ Používajte pílové listy s jemnými zubami.

- ◆ Rezanie prevádzajte zo zadnej strany obrobku.
- ◆ Ak chcete obmedziť štiepenie materiálu, zovrite obrobok z oboch strán pomocou kúska dreva alebo sololitu a reže cez celú túto zostavu.

Rezanie kovu

Pamätajte si, že rezanie kovu trvá omnoho dlhšie ako rezanie dreva.

- ◆ Používajte pílový list vhodný na rezanie kovu.
- ◆ Pri rezaní tenkých plechov pripevnite ku spodnej strane obrobku kúsok dreva a reže cez celú túto zostavu.
- ◆ Naneste na požadovanú čiaru rezu olejový film.

Údržba

Vaše náradie Black & Decker bolo skonštruované tak, aby Vám slúžilo dlhú dobu s minimálnymi nárokmi na údržbu. Predpokladom dlhodobej bezproblémovej funkcie náradia je jeho pravidelné čistenie a starostlivosť.

- ◆ Pravidelne čistite vetracie otvory náradia pomocou mäkkej kefky alebo suchej handričky.
- ◆ Pravidelne čistite kryt motora vlhkou handričkou. Nepoužívajte na čistenie abrazívne prostriedky ani rozpúšťadlá. Zabráňte vniknutiu kvapalín do vnútra náradia a nikdy žiadnu časť náradia neponárajte do vody.

Výmena sieťovej zástrčky (iba pre Veľkú Britániu a Írsko)

Ak budete inštalovať novú zástrčku prívodného kábla:

- ◆ Bezpečne odstráňte starú zástrčku.
- ◆ Pripojte hnedý vodič k fázovej svorke novej zástrčky.
- ◆ Modrý vodič pripojte k nulovej svorke.

Varovanie! K uzemňovacej svorke nesmie byť pripojený žiadny vodič. Dodržujte montážne pokyny dodávané s kvalitnými zástrčkami. Odporúčaná poisťka: 5 A.

Ochrana životného prostredia



Triedený odpad. Tento výrobok nesmie byť likvidovaný spolu s bežným komunálnym odpadom.

Jedného dňa zistíte, že Váš výrobok Black & Decker musíte vymeniť alebo ho už nebudete ďalej používať. V tomto prípade nesmie

byť zlikvidovaný v bežnom domovom odpade. Zlikvidujte tento prístroj v triedenom odpade.



Triedený odpad umožňuje recykláciu a opätovné využitie použitých výrobkov a obalových materiálov. Opätovné použitie recyklovaných materiálov pomáha chrániť životné prostredie pred znečistením a znižuje spotrebu surovín.

Pri zakúpení nových výrobkov Vám miestne zberne odpadov, recyklačné stanice alebo predajne poskytnú informácie o správnej likvidácii elektroodpadov z domácnosti.

Spoločnosť Black & Decker tiež poskytuje možnosť zberu použitých výrobkov alebo ich recykláciu. Ak chcete využiť výhody tejto služby, odovzdajte prosím Vaše náradie akémukoľvek autorizovanému zástupcovi servisu Black Decker, ktorý náradie odoberie a zaistí jeho recykláciu.

Miesto Vašej najbližšej servisnej pobočky Black & Decker nájdete na príslušnej adrese uvedenej na zadnej strane tejto príručky. Zoznam autorizovaných stredísk Black & Decker a všetky podrobnosti týkajúce sa popredajného servisu nájdete tiež na internetovej adrese:

www.2helpU.com

Akumulátory



Po ukončení prevádzkovej životnosti akumulátora vykonajte jeho likvidáciu tak, aby nedošlo k ohrozeniu životného prostredia:

- ◆ Neskratujte kontakty akumulátora.
- ◆ Nevhadzujte akumulátory do ohňa, pretože by mohlo dôjsť k zraneniu osôb alebo k výbuchu akumulátora.
- ◆ Zapnite náradie, nechajte akumulátor celkom vybiť a potom ho vyberte z náradia.
- ◆ Akumulátory sa môžu recyklovať. Umiestnite akumulátory do vhodného obalu, aby ste zabránili skratovaniu kontaktov. Odovzdajte akumulátory v akomkoľvek autorizovanom servise alebo v miestnom zbernom dvore.

Technické údaje

	KS900E TYP 1	KS900EL TYP 1
Napätie	V _{AC}	230
Stanovený príkon	W	600
Otáčky naprázdno	min ⁻¹	800-3000
Max. hĺbka rezu		
Drevo	mm	85
Oceľ	mm	5
Hliník	mm	15
Hmotnosť	kg	2,36
(s laserom)	kg	2,66

Hladina akustického tlaku podľa normy EN 60745:

L_{pA} (akustický tlak) 87 dB(A), odchýlka (K) 3 dB(A)
 L_{WA} (akustický výkon) 98 dB(A), odchýlka (K) 3 dB(A)

Celková úroveň vibrácií (priestorový vektorový súčet) podľa normy EN 60745:

Rezanie dreva ($a_{h,CW}$) 10,5 m/s², odchýlka (K) 1,5 m/s²,
 Rezanie kovu ($a_{h,CM}$) 14,5 m/s², odchýlka (K) 1,5 m/s²

ES Prehlásenie o zhode v rámci EÚ

SMERNICA PRE STROJOVÉ ZARIADENIA



KS900E, KS900EL

Spoločnosť Black & Decker vyhlasuje, že tieto produkty popisované v technických údajoch spĺňajú požiadavky nasledujúcich noriem: 2006/42/EC, EN60745-1, EN60745-2-11

Ak chcete získať ďalšie informácie, kontaktujte prosím spoločnosť Black & Decker na nasledujúcej adrese alebo na adresách, ktoré sú uvedené na konci tohto návodu.

Nižšie podpísaná osoba je zodpovedná za zostavenie technických údajov a vydáva toto prehlásenie v zastúpení spoločnosti Black & Decker.

Kevin Hewitt
 Viceprezident pre
 spotrebiteľskú techniku
 Black & Decker Europe,
 210 Bath Road, Slough,
 Berkshire, SL1 3YD
 Veľká Británia
 10-02-2010

Záruka

Spoločnosť Black & Decker je presvedčená o kvalite svojich výrobkov a ponúka mimoriadnu záruku. Touto zárukou získavate ďalšiu istotu. Tento príslub záruky nemá vplyv na zákonné nároky na záruku, ani ich v žiadnom prípade neobmedzuje. Táto záruka platí vo všetkých členských štátoch EÚ a Európskej Zóne Voľného Obchodu EFTA.

Ak sa objavia na výrobku Black & Decker, v priebehu 24 mesiacov od zakúpenia, akékoľvek materiálové či výrobné vady, garantujeme v snahe o minimalizovanie Vašich starostí bezplatnú výmenu chybných dielov, opravu alebo výmenu celého výrobku za nižšie uvedených podmienok:

- ◆ Výrobok sa nepoužíval na obchodné alebo profesionálne účely a nedochádzalo k jeho prenájamu.
- ◆ Výrobok nebol vystavený nesprávnemu použitiu a nebola zanedbaná jeho predpísaná údržba.
- ◆ Výrobok nebol poškodený cudzím zavinením.
- ◆ Opravy nerobili iné osoby, než autorizovaní opravári alebo mechanici autorizovaného servisu Black & Decker.

Ak požadujete reklamáciu, budete musieť predajcovi alebo autorizovanému servisu predložiť doklad o zakúpení výrobku. Miesto Vášho najbližšieho autorizovaného servisu Black & Decker sa dozviete na adrese uvedenej na zadnej strane tohto návodu. Zoznam servisných stredísk Black & Decker a podrobnosti o popredajnom servise nájdete taktiež na internetovej adrese: www.2helpU.com

Navštívte prosím našu webovú stránku www.blackanddecker.sk, kde môžete zaregistrovať Váš nový výrobok Black & Decker a kde nájdete všetky informácie o nových výrobkoch a špeciálne ponuky. Ďalšie informácie o značke Black & Decker a o celom rade našich ďalších výrobkov nájdete na adrese www.blackanddecker.sk.

Область применения

Ваш Black & Decker лобзик предназначен для распиливания древесины, пластмассы и металла. Инструмент предназначен исключительно для потребительского использования.

Правила безопасности

Общие правила безопасности при работе с электроинструментами



Внимание! Перед началом работы внимательно прочтите все инструкции по безопасности и руководство по эксплуатации. Несоблюдение всех перечисленных ниже инструкций и правил безопасности может привести к поражению электрическим током, возникновению пожара и/или получению серьезной травмы.

Сохраните все инструкции по безопасности и руководство по эксплуатации для их дальнейшего использования. Термин „Электроинструмент“ во всех приведенных ниже указаниях относится к Вашему сетевому (с кабелем) электроинструменту или аккумуляторному (беспроводному) электроинструменту.

1. **Безопасность рабочего места**
 - а. **Содержите рабочее место в чистоте и обеспечьте хорошее освещение.** Беспорядок на рабочем месте и его плохое освещение могут привести к несчастному случаю.
 - б. **Не используйте электроинструмент, если есть опасность возгорания или взрыва, например, вблизи легко воспламеняющихся жидкостей, газов или пыли.** В процессе работы электроинструмент создает искровые разряды, которые могут воспаленить пыль или горючие пары.
 - в. **Во время работы с электроинструментом не подпускайте близко детей или посторонних лиц.** Отвлечение внимания может вызвать у Вас потерю контроля над рабочим процессом.
 2. **Электробезопасность**
 - а. **Вилка кабеля электроинструмента должна соответствовать штепсельной розетке. Ни в коем случае не видоизменяйте вилку электрического кабеля. Не используйте соединительные штепсели-переходники, если в силовом кабеле электроинструмента есть провод заземления.** Использование оригинальной вилки кабеля и соответствующей ей штепсельной розетки уменьшает риск поражения электрическим током.
 - б. **Во время работы с электроинструментом избегайте физического контакта с заземленными объектами, такими как трубопроводы, радиаторы отопления, электроплиты и холодильники.** Риск поражения электрическим током увеличивается, если Ваше тело заземлено.
 - в. **Не используйте электроинструмент под дождем или во влажной среде.** Попадание воды в электроинструмент увеличивает риск поражения электрическим током.
 - г. **Используйте электрический кабель в установленном режиме. Ни в коем случае не используйте кабель для переноски электроинструмента или для вытягивания его вилки из штепсельной розетки. Не подвергайте электрический кабель воздействию высоких температур и смазочных веществ; держите его в стороне от острых кромок и движущихся частей электроинструмента.** Поврежденный или запутанный кабель увеличивает риск поражения электрическим током.
 - д. **При работе с электроинструментом на открытом воздухе используйте удлинительный кабель, предназначенный для наружных работ.** Использование кабеля, пригодного для работы на открытом воздухе, снижает риск поражения электрическим током.
 - е. **При необходимости работы с электроинструментом во влажной среде используйте источник питания, оборудованный устройством защитного отключения (УЗО).** Использование УЗО снижает риск поражения электрическим током.
3. **Личная безопасность**
 - а. **При работе с электроинструментами будьте внимательны, следите за тем, что Вы делаете, и руководствуйтесь здравым смыслом. Не используйте**

электроинструмент, если Вы устали, а также находясь под действием алкоголя или понижающих реакцию лекарственных препаратов и других средств. Малейшая неосторожность при работе с электроинструментами может привести к серьезной травме.

- б. При работе используйте средства индивидуальной защиты. Всегда надевайте защитные очки.** Своевременное использование защитного снаряжения, а именно, пылезащитной маски, ботинок на нескользящей подошве, защитного шлема или противошумных наушников, значительно снизит риск получения травмы.
- в. Не допускайте случайного запуска. Перед тем, как подключить электроинструмент к сети и/или аккумулятору, поднять или перенести его, убедитесь, что выключатель находится в положении “выключено”.** Не переносите электроинструмент с нажатой кнопкой выключателя, и не подключайте к сетевой розетке электроинструмент, выключатель которого установлен в положение “выключено”. Это может привести к несчастному случаю.
- г. Перед включением электроинструмента снимите с него все регулировочные или гаечные ключи.** Регулировочный или гаечный ключ, оставленный закрепленным на вращающейся части электроинструмента, может стать причиной тяжелой травмы.
- д. Не допускайте перенапряжения. Всегда твердо стойте на ногах, сохраняя равновесие.** Это позволит Вам не потерять контроль при работе с электроинструментом в непредвиденной ситуации.
- е. Одевайтесь соответствующим образом. Во время работы не надевайте свободную одежду или украшения. Следите за тем, чтобы Ваши волосы, одежда или перчатки находились в постоянном отдалении от движущихся частей инструмента.** Свободная одежда, украшения или длинные волосы могут попасть в движущиеся части инструмента.
- ж. Если электроинструмент снабжен устройством сбора и удаления пыли, убедитесь, что данное устройство подключено и используется**

надлежащим образом. Использование устройства пылеудаления значительно снижает риск возникновения несчастного случая, связанного с запыленностью рабочего пространства.

- 4. Использование электроинструментов и технический уход**
- а. Не перегружайте электроинструмент. Используйте Ваш инструмент по назначению.** Электроинструмент работает надежно и безопасно только при соблюдении параметров, указанных в его технических характеристиках.
- б. Не используйте электроинструмент, если его выключатель не устанавливается в положение включения или выключения.** Электроинструмент с неисправным выключателем представляет опасность и подлежит ремонту.
- в. Отключайте электроинструмент от сетевой розетки и/или извлекайте аккумуляторную батарею перед регулированием, заменой принадлежностей или при хранении электроинструмента.** Такие меры предосторожности снижают риск случайного включения электроинструмента.
- г. Храните неиспользуемые электроинструменты в недоступном для детей месте и не позволяйте лицам, не знакомым с электроинструментом или данными инструкциями, работать с электроинструментом.** Электроинструменты представляют опасность в руках неопытных пользователей.
- д. Регулярно проверяйте исправность электроинструмента. Проверяйте точность совмещения и легкость перемещения подвижных частей, целостность деталей и любых других элементов электроинструмента, воздействующих на его работу. Не используйте неисправный электроинструмент, пока он не будет полностью отремонтирован.** Большинство несчастных случаев являются следствием недостаточного технического ухода за электроинструментом.
- е. Следите за остротой заточки и чистотой режущих принадлежностей. Принадлежности с острыми кромками**

позволяют избежать заклинивания и делают работу менее утомительной.

- ж. **Используйте электроинструмент, аксессуары и насадки в соответствии с данным Руководством и с учетом рабочих условий и характера будущей работы.** Использование электроинструмента не по назначению может создать опасную ситуацию.
5. **Техническое обслуживание**
- а. **Ремонт Вашего электроинструмента должен производиться только квалифицированными специалистами с использованием оригинальных запасных частей.** Это обеспечит безопасность Вашего электроинструмента в дальнейшей эксплуатации.

Дополнительные меры безопасности при работе с электроинструментами



Внимание! Дополнительные меры безопасности при работе с лобзиками.

- ♦ **Держите инструмент за изолированные ручки при выполнении операций, во время которых режущий инструмент может соприкасаться со скрытой проводкой или собственным кабелем.** Контакт режущей принадлежности с находящимся под напряжением проводом делает не покрытые изоляцией металлические части электроинструмента «живыми», что создает опасность поражения оператора электрическим током.
 - ♦ **Используйте тиски или другие приспособления для фиксации распиливаемой детали.** Если держать распиливаемую деталь руками или с упором в собственное тело, то можно потерять контроль над инструментом или обрабатываемой деталью.
 - ♦ **Не подносите руки к зоне разрезания.** Никогда не трогайте распиливаемую деталь снизу. Никогда не подносите пальцы к пыльному полотну лобзика или к прижимной балке пыльного полотна. Не пытайтесь придать лобзику устойчивость, держа его за подошву.
 - ♦ **Следите за тем, чтобы пыльные полотна были острыми.** Тупые или поврежденные пыльные полотна могут гнущься или застревать во время работы. Для каждого типа материала и вида резки используйте специально предназначенные для них пыльные полотна.
 - ♦ **При резке водопроводных убедитесь, что в них нет воды, при резке труб для проводов убедитесь, что в них нет проводки.**
 - ♦ **Не дотрагивайтесь до распиливаемой детали или пыльного полотна сразу после завершения работы.** Они могут быть очень горячими.
 - ♦ **Перед тем, как делать прорезы в стенах, полах или потолках обратите внимание на скрытые угрозы. Проверьте места расположения проводки и трубопроводов.**
 - ♦ **Пыльное полотно продолжит двигаться после того, как вы отпустите клавишу пускового выключателя.** Прежде чем положить инструмент всегда выключайте его и подождите, пока пыльное полотно полностью остановится.
- Внимание!** Контакт с пылью и вдыхание пыли, которая образуется при распиливании, может причинить вред здоровью оператора или находящихся рядом с ним людей. Используйте респиратор, который специально создан для защиты от пыли и гари. Люди, находящиеся в рабочей зоне, также должны быть снабжены соответствующим защитным снаряжением.
- ♦ Назначение инструмента описывается в данном руководстве по эксплуатации. Используйте все насадки и приспособления и работайте данным инструментом строго в соответствии с данным руководством. Использование не по назначению может привести к серьезной травме и повреждению инструмента или обрабатываемого изделия.
- Безопасность посторонних лиц**
- ♦ Использование инструмента физически или умственно неполноценными людьми, а также детьми и неопытными лицами допускается только под контролем ответственного за их безопасность лица.
 - ♦ Не позволяйте детям играть с электроинструментом.
- Вибрация**
- Значения уровня вибрации, указанные в технических характеристиках инструмента и декларации соответствия, были измерены в соответствии со стандартным методом

определения вибрационного воздействия согласно EN60745 и могут использоваться при сравнении характеристик различных инструментов.

Приведенные значения уровня вибрации могут также использоваться для предварительной оценки величины вибрационного воздействия.

Внимание! Значения вибрационного воздействия при работе с электроинструментом зависят от вида работ, выполняемых данным инструментом, и могут отличаться от заявленных значений. Уровень вибрации может превышать заявленное значение.

При оценке степени вибрационного воздействия для определения необходимых защитных мер (2002/44/ЕС) для людей, использующих в процессе работы электроинструменты, необходимо принимать во внимание действительные условия использования электроинструмента, учитывая все составляющие рабочего цикла, в том числе время, когда инструмент находится в выключенном состоянии, и время, когда он работает без нагрузки, а также время его запуска и отключения.

Маркировка инструмента

На инструменте имеются следующие знаки:



Внимание! Внимательное ознакомление с руководством по эксплуатации поможет снизить риск получения травмы.

Электробезопасность



Данный электроинструмент защищен двойной изоляцией, исключающей потребность в заземляющем проводе. Следите за напряжением электрической сети, оно должно соответствовать величине, обозначенной на информационной табличке электроинструмента.

- ♦ Во избежание несчастного случая, замена поврежденного кабеля питания должна производиться только на заводе-изготовителе или в авторизованном сервисном центре Black & Decker.

Дополнительные меры безопасности при использовании не перезаряжаемых батарей питания

- ♦ Ни в коем случае не пытайтесь разобрать батарею.

- ♦ Не храните в местах, где температура может превысить 40°C.
- ♦ Утилизируйте отработанные аккумуляторы, следуя инструкциям раздела «Защита окружающей среды».
- ♦ Не бросайте батарейки питания в огонь.
- ♦ В экстремальных условиях из батарейки питания может вытечь электролит. Если Вы заметили жидкость на поверхности батарейки, поступите следующим образом:
 - Удалите салфеткой жидкость с поверхности батареи питания. Избегайте контакта с кожей.

Дополнительные инструкции безопасности для лазеров



Внимательно прочитайте данное руководство по эксплуатации.



Не допускайте детей до 16 лет к работе данным электроинструментом.



Внимание! Лазер!



Ни в коем случае не смотрите преднамеренно на лазерный луч.



Ни в коем случае не рассматривайте лазерный луч через оптические приборы.

- ♦ Данный лазерный прибор относится ко 2-му классу в соответствии со стандартом EN 60825-1:2007. Не заменяйте лазерный диод диодом другого типа. При необходимости, ремонт лазерного прибора производите в авторизованном сервисном центре.
- ♦ Используйте лазерный прибор только для проецирования лазерных линий.
- ♦ Воздействие луча лазера 2-го класса на глаз считается безопасным в течение не более 0,25 секунды. В этом случае ответная реакция глазного века обеспечивает надежную защиту глаза. При расстоянии более 1 метра данный лазерный прибор можно рассматривать как полностью безопасный лазер 1-го класса.
- ♦ Ни в коем случае не смотрите преднамеренно на лазерный луч во избежание его попадания в глаз!
- ♦ Ни в коем случае не рассматривайте лазерный луч через оптические приборы!

- ◆ Устанавливайте лазерный прибор в таком положении, чтобы лазерный луч не проходил на уровне глаз окружающих Вас людей.
- ◆ Не позволяйте детям близко приближаться к лазерному прибору.

Составные части

1. Поворотный переключатель скорости вращения электродвигателя
2. Клавиша пускового выключателя
3. Кнопка блокировки пускового выключателя
4. Крышка отсека для хранения пыльных полотен
5. Рычаг регулировки угла наклона подошвы
6. Отверстие выдува опилок
7. Подошва
8. Направляющий ролик для пыльного полотна
9. Переключатель маятникового механизма

Дополнительные составные части (рис. А)

Устройство может иметь какие-либо дополнительные составные части в зависимости от купленного инструмента. На рис. А приведены дополнительные составные части, применяемые к устройству с данным каталожным номером.

Сборка

Внимание! Перед проведением любой из перечисленных ниже операций убедитесь, что клавиша пускового выключателя находится в положении «выкл.», инструмент отключен от сети электропитания и пыльное полотно полностью остановилось. После использования инструмента пыльное полотно может быть горячим.

Установка и съём пыльного полотна (рис. В и С)

Внимание! Перед проведением любой из перечисленных ниже операций убедитесь, что клавиша пускового выключателя находится в положении «выкл.», инструмент отключен от сети электропитания и пыльное полотно полностью остановилось. После использования инструмента пыльное полотно может быть горячим.

Установка пыльного полотна (Рис. В)

- ◆ Держите пыльное полотно (10), как показано на рисунке, направив кромку с зубьями вперед.

- ◆ Опустите и удерживайте зажимной рычаг (11).
- ◆ Вставьте хвостовик пыльного полотна в держатель (12) до упора.
- ◆ Отпустите зажимной рычаг (11).

Хранение пыльного полотна (рис. С)

Пыльные полотна (10) можно хранить в специальном отсеке (4), расположенном на боковой стороне инструмента.

- ◆ Откройте крышку отсека для хранения пыльного полотна (4), потянув за ушко, расположенное в верхней части крышки.
- ◆ Полотна удерживаются в отсеке для хранения с помощью магнитной полоски. Чтобы вынуть полотно, нажмите на один конец полотна, приподнимая его второй конец, и выньте полотно.
- ◆ Закройте крышку отсека для хранения пыльных полотен (4) и убедитесь, что она закрыта на защелку.

Внимание! Хорошо закройте дверцу отсека для хранения полотен перед тем, как приступить к работе с инструментом.

Подключение пылесоса к инструменту (рис. D)

Для подключения к инструменту пылесоса необходим адаптер (13).

- ◆ Вставьте адаптер (13) в отверстие выдува опилок (6).
- ◆ Подсоедините шланг пылесоса (14) к адаптеру (13).

Вентилятор системы выдува опилок (рис. E)

Для обеспечения обзора линии реза Ваш инструмент снабжен вентилятором системы выдува опилок (15), с помощью которого линия реза всегда будет оставаться чистой во время работы.

Остаточные риски

При работе с данным инструментом возможно возникновение дополнительных остаточных рисков, которые не вошли в описанные здесь правила техники безопасности. Эти риски могут возникнуть при неправильном или продолжительном использовании изделия и т.п.

Несмотря на соблюдение соответствующих инструкций по технике безопасности и использование предохранительных устройств, некоторые остаточные риски невозможно полностью исключить. К ним относятся:

- ◆ Травмы в результате касания вращающихся/двигающихся частей инструмента.
- ◆ Риск получения травмы во время смены деталей электроинструмента, пильных дисков или насадок.
- ◆ Риск получения травмы, связанный с продолжительным использованием инструмента. При использовании инструмента в течение продолжительного периода времени делайте регулярные перерывы в работе.
- ◆ Ухудшение слуха.
- ◆ Ущерб здоровью в результате вдыхания пыли в процессе работы с электроинструментом (например, при распиле древесины, в особенности, дуба, бука и ДВП).

Эксплуатация

Регулировка подошвы для косых срезов (рис. F и G)

- Внимание!** Никогда не используйте инструмент, если подошва плохо закреплена или снята. Подошва (7) может быть отрегулирована до 45° в обе стороны.
- ◆ Потяните рычаг регулировки угла наклона подошвы (5), чтобы разблокировать подошву (7) из положения 0 градусов.
 - ◆ Потяните подошву (7) вперед и установите ее под требуемым углом в 15°, 30° или 45°. Угол отображается в окне угла среза.
 - ◆ Потяните рычаг регулировки угла наклона подошвы (5) по направлению к лезвию, фиксируя положение подошвы (7).

Установка подошвы в положение для прямых срезов:

- ◆ Потяните рычаг регулировки угла наклона подошвы (5), чтобы разблокировать подошву (7).
- ◆ Установите подошву (7) под углом в 0° и нажмите на подошву.
- ◆ Потяните рычаг регулировки угла наклона подошвы (5) по направлению к лезвию, фиксируя положение подошвы (7).

Регулировка переключателя маятникового механизма (рис. H)

- ◆ Установите переключатель маятникового механизма (9) в нужном положении.
- ◆ Положение «0»: металл, алюминий, листовое железо.
- ◆ Положение «1»: ламинированная доска, твердая древесина, столешница кухонной мебели.

- ◆ Положение «II»: фанера и ПВХ/пластик.
- ◆ Положение «III»: мягкая древесина и быстрое разрезание.

Переключение скорости вращения электродвигателя

- ◆ Установите поворотный переключатель скорости вращения электродвигателя (1) в позиции выбранной скорости.
- ◆ Для работы с деревом используйте высокую скорость, для алюминия и ПВХ среднюю скорость и для работы с прочими металлами, кроме алюминия - низкую скорость.

Включение и выключение

- ◆ Для включения инструмента нажмите клавишу пускового выключателя (2).
- ◆ Для выключения инструмента отпустите клавишу пускового выключателя (2).
- ◆ Для непрерывной работы инструмента нажмите кнопку блокировки (3) и отпустите клавишу пускового выключателя (2).
- ◆ Для выключения инструмента, находящегося в режиме непрерывной работы, нажмите клавишу пускового выключателя (2) и отпустите ее.

Распиливание

При распиливании крепко держите инструмент двумя руками. Подошва (7) должна быть плотно прижата к распиливаемому материалу, что поможет предотвратить тряску пилы, уменьшит вибрацию и минимизирует риск поломки пильного полотна.

- ◆ Перед тем, как начать пилить, необходимо, чтобы полотно поработало немного вхолостую.
- ◆ Не давите сильно на инструмент при распиливании.

Работа с лазером (рис. I - K) (только для модели KS900EL)

Установка батареек (рис. I)

Отсоедините лазерный блок (17) от лобзика, выкрутив винт (16) и потянув лазерный модуль вперед. Вставьте две новые щелочные батарейки типа AAA на 1,5 В, соблюдая полярность. Снова установите лазерный блок (17).

Настройка лазера (рис. J)

Примечание: Лазер служит в качестве вспомогательного инструмента при резке, и не гарантирует точность распила.

Внимание! Не проводите настройку лазера, когда лобзик включен в сеть электропитания.

- ◆ При необходимости используйте винт регулировки лазера (18), чтобы отрегулировать положение лазерной линии относительно пильного полотна.

При перегреве лобзика видимость (мощность) лазера уменьшается. Лазер может быть вообще невидимым, если лобзик подвергается перегрузке в течение длительного времени. Видимость лазера постепенно вернется к норме по мере остывания инструмента, даже если инструмент отключен от сети электропитания.

Внимание! Не оставляйте включенным перегретый лазер. Убедитесь, что лазерный выключатель находится в положении «выкл.», и выньте батарейки, чтобы отключить питание лазера.

Использование лазера (рис. К - L)

Лазер проецирует линию реза (21) на распиливаемую поверхность.

- ◆ Для включения лазера нажмите кнопку (19).
- ◆ Для выключения лазера снова нажмите кнопку (19).

По линии реза (21) легко следовать, смотря прямо с верху лобзика. Если условия работы ограничивают данный вид, в качестве альтернативного указателя можно использовать лазер

- ◆ Используйте карандаш, чтобы отметить линию реза (20).
- ◆ Расположите лобзик точно на линии (20).
- ◆ Включите лазер.

Советы по оптимальному использованию

Распиливание ламинированных материалов

При распиливании ламинированных материалов материал может расколоться, что приведет к повреждению лицевой поверхности. Большинство обычных пильных полотен режут материал при движении по направлению вверх, поэтому при нахождении подошвы на лицевой поверхности используйте пильное полотно, которое режет при движении по направлению вниз или:

- ◆ Используйте полотно с мелкими зубьями.
- ◆ Распиливайте материал с обратной стороны.
- ◆ Чтобы минимизировать вероятность расщепления материала, приложите кусок дерева или ДСП к обеим сторонам

распиливаемого материала и пилите через этот сэндвич.

Разрезание металла

Помните, что разрезание металла занимает гораздо больше времени, чем распиливание древесины.

- ◆ Используйте пильное полотно, пригодное для разрезания металла.
- ◆ При разрезании тонкого листового железа приложите кусок древесины с обратной стороны разрезаемого материала и пилите через этот сэндвич.
- ◆ Нанесите масляную пленку по линии разреза.

Техническое обслуживание

Ваш Black & Decker электроинструмент рассчитан на работу в течение продолжительного периода времени при минимальном техническом обслуживании. Срок службы инструмента и его надежность увеличивается при правильном уходе и регулярной чистке.

- ◆ Регулярно очищайте вентиляционные прорези электроинструмента мягкой щеткой или сухой тканью.
- ◆ Регулярно очищайте корпус электроинструмента влажной тканью. Не используйте абразивные чистящие средства, а также чистящие средства на основе растворителей. Не допускайте попадания жидкости внутрь инструмента и не погружайте инструмент в воду.

Защита окружающей среды



Раздельный сбор. Данное изделие нельзя утилизировать вместе с обычными бытовыми отходами.

Если однажды Вы захотите заменить Ваш электроинструмент Black & Decker или Вы больше в нем не нуждаетесь, не выбрасывайте его вместе с бытовыми отходами. Отнесите изделие в специальный приемный пункт.



Раздельный сбор изделий с истекшим сроком службы и их упаковок позволяет пускать их в переработку и повторно использовать. Использование переработанных материалов помогает защищать окружающую среду от загрязнения и снижает расход сырьевых материалов.

Местное законодательство может обеспечить сбор старых электроинструментов отдельно от бытового мусора на муниципальных свалках отходов, или Вы можете сдавать их в торговом предприятии при покупке нового изделия.

Фирма Black & Decker обеспечивает прием и переработку отслуживших свой срок изделий Black & Decker. Чтобы воспользоваться этой услугой, Вы можете сдать Ваше изделие в любой авторизованный сервисный центр, который собирает их по нашему поручению.

Вы можете узнать место нахождения Вашего ближайшего авторизованного сервисного центра, обратившись в Ваш местный офис Black & Decker по адресу, указанному в данном руководстве по эксплуатации. Кроме того, список авторизованных сервисных центров Black & Decker и полную информацию о нашем послепродажном обслуживании и контактах Вы можете найти в интернете по адресу: www.2helpU.com.

Батарейки



По окончании срока службы утилизируйте отработанные аккумуляторы безопасным для окружающей среды способом:

- ◆ Не допускайте короткого замыкания контактов аккумулятора.
- ◆ Не бросайте аккумулятор в огонь - это может послужить причиной взрыва или получения тяжелой травмы.
- ◆ Полностью разрядите аккумулятор, затем извлеките его из инструмента.
- ◆ Аккумуляторы подлежат переработке. Поместите аккумулятор (аккумуляторы) в подходящую упаковку, исключив возможность короткого замыкания контактов. Сдайте их в любой авторизованный сервисный центр или в местный пункт переработки.

Технические характеристики

KS900E ТИП1	
KS900EL ТИП1	
Напряжение	B 230
Номинальная потребляемая мощность	Вт 600
Число оборотов на холостом ходу об/мин.	800-3000
Максимальный диаметр сверления:	
Дерево	мм 85
Металл	мм 5
Алюминий	мм 15
Вес	кг 2,36
(с лазерным блоком)	кг 2,66

Уровень звукового давления в соответствии с EN 60745:

L_{pA} (звуковое давление) 87 дБ(А), погрешность (К) 3 дБ(А), L_{WA} (акустическая мощность) 98 дБ(А), погрешность (К) 3 дБ(А)

Суммарная вибрация (по трем осям) в соответствии с EN 60745:

Распиливание древесины ($a_{h,CW}$) 10,5 м/с², погрешность (К) 1,5 м/с², Разрезание металла ($a_{h,CM}$) 14,5 м/с², погрешность (К) 1,5 м/с²

Декларация соответствия ЕС ДИРЕКТИВА ПО МЕХАНИЧЕСКОМУ ОБОРУДОВАНИЮ



KS900E, KS900EL

Black & Decker заявляет, что продукты, обозначенные в разделе «Технические характеристики», полностью соответствуют стандартам: 2006/42/EC, EN60745-1, EN60745-2-11

За дополнительной информацией обращайтесь по указанному ниже адресу или по адресу, указанному на последней странице руководства.

Нижеподписавшееся лицо отвечает за соответствие технических характеристик и заверяет данную декларацию от имени компании Black & Decker.

Кевин Хьюитт (Kevin Hewitt)
Вице-президент отдела
мирового проектирования
Black & Decker Europe,
210 Bath Road, Slough,
Berkshire, SL1 3YD
United Kingdom
10-02-2010

БЛЭК ЭНД ДЕККЕР

гарантийные условия

Уважаемый покупатель!

1. Поздравляем Вас с покупкой высококачественного изделия BLACK & DECKER и выражаем признательность за Ваш выбор.
- 1.1. Надежная работа данного изделия в течение всего срока эксплуатации - предмет особой заботы наших сервисных служб. В случае возникновения каких-либо проблем в процессе эксплуатации изделия рекомендуем Вам обращаться только в авторизованные сервисные организации, адреса и телефоны которых Вы сможете найти в Гарантийном талоне или узнать в магазине. Наши сервисные станции - это не только квалифицированный ремонт, но и широкий выбор запчастей и принадлежностей.
- 1.2. При покупке изделия требуйте проверки его комплектности и исправности в Вашем присутствии, инструкцию по эксплуатации и заполненный Гарантийный талон на русском языке. При отсутствии у Вас правильно заполненного Гарантийного талона мы будем вынуждены отклонить Ваши претензии по качеству данного изделия.
- 1.3. Во избежание недоразумений убедительно просим Вас перед началом работы с изделием внимательно ознакомиться с инструкцией по его эксплуатации.
- 1.4. Обращаем Ваше внимание на исключительно бытовое назначение данного изделия.
2. Правовой основой настоящих гарантийных условий является действующее Законодательство и, в частности, Закон "О защите прав потребителей".
3. Гарантийный срок на данное изделие составляет 24 месяца и исчисляется со дня продажи через розничную торговую сеть. В случае устранения недостатков изделия, гарантийный срок продлевается на период, в течение которого оно не использовалось.
4. Срок службы изделия - 5 лет (минимальный, установленный в соответствии с Законом "О защите прав потребителей").
5. Наши гарантийные обязательства распространяются только на неисправности, выявленные в течение гарантийного срока и обусловленные производственными и конструктивными факторами.
6. Гарантийные обязательства не распространяются:
 - 6.1. На неисправности изделия, возникшие в результате:
 - 6.1.1. Несоблюдения пользователем предписаний инструкции по эксплуатации изделия.
 - 6.1.2. Механического повреждения, вызванного внешним ударным или любым иным воздействием.

- 6.1.3. Исполщования изделия в профессиональных целях и объемах, в коммерческих целях.
- 6.1.4. Применения изделия не по назначению.
- 6.1.5. Стихийного бедствия.
- 6.1.6. Неблагоприятных атмосферных и иных внешних воздействий на изделие, таких как дождь, снег, повышенная влажность, нагрев, агрессивные среды, несоответствие параметров питающей электросети указанным на инструменте.
- 6.1.7. Исполщования принадлежностей, расходных материалов и запчастей, не рекомендованных или не одобренных производителем.
- 6.1.8. Проникновения внутрь изделия посторонних предметов, насекомых, материалов или веществ, не являющихся отходами, сопровождающими применение по назначению, такими как стружка опилки и пр. .
- 6.2. На инструменты, подвергавшиеся вскрытию, ремонту или модификации вне уполномоченной сервисной станции.
- 6.3. На принадлежности, запчасти, вышедшие из строя вследствие нормального износа, и расходные материалы, такие как приводные ремни, угольные щетки, аккумуляторные батареи, ножи, пилки, абразивы, пыльные диски, сверла, буры и т. п. .
- 6.4. На неисправности, возникшие в результате перегрузки инструмента, повлекшей выход из строя электродвигателя или других узлов и деталей. К безусловным признакам перегрузки изделия относятся, помимо прочих: появление цветов побежалости, деформация или оплавление деталей и узлов изделия, потемнение или обугливание изоляции проводов электродвигателя под воздействием высокой температуры.



ME 77



007

Блэк энд Деккер Гмбх
Блэк энд Деккер Штрассе, 40
65510 Идштайн, Германия

Область застосування

Ваш лобзик виробництва компанії Black & Decker розроблений для розпилювання дерева, пластмаси та металу. Цей інструмент призначений лише для побутового використання.

Інструкції з техніки безпеки

Загальні правила безпеки для електричного інструменту



Попередження! Перед використанням інструменту уважно прочитайте всі попередження та інструкції. Невиконання інструкцій, що наведені нижче, може призвести до ураження електричним струмом, пожежі та/або серйозних травм.

Зберігайте це керівництво для отримання інформації в подальшому.

Термін "електричний інструмент" в усіх попередженнях, перерахованих нижче, стосується використовуваних Вами інструментів, що працюють від мережі енергоспоживання або акумуляторів.

1. Безпека робочої зони

a. Тримайте робочу зону чистою та добре освітленою. Неупорядковані та темні робочі зони збільшують ймовірність нещасного випадку.

b. Не використовуйте електричні інструменти у вибухонебезпечних умовах, наприклад, в присутності легкозаймистих рідин, газів або пилу. Електричні інструменти створюють іскри, що можуть запалити пил або випаровування.

c. Тримайте дітей та сторонніх подалі під час використання інструменту. Відвернення уваги може призвести до втрати контролю.

2. Електрична безпека

a. Вилка електричного інструменту має відповідати розетці. Ніколи ніяким чином не змінюйте розетку. Не використовуйте адаптерів з заземленими електричними інструментами. Немодифіковані вилки та розетки, що підходять до них, зменшують ризик ураження електричним струмом.

b. Уникайте контакту тіла з заземленими поверхнями, такими як труби, радіатори, плити та холодильники.

Якщо Ваше тіло заземлене, ризик ураження електричним струмом збільшується.

- c. Не залишайте електричні інструменти під дощем або в умовах підвищеної вологості.** Вода, що потрапляє в електричний інструмент, підвищує ризик ураження електричним струмом.
 - d. Не використовуйте шнур не за призначенням. Ніколи не використовуйте шнур для переносу, витягнення або відключення електричного інструменту. Тримайте шнур подалі від високих температур, мастила, гострих предметів та рухомих деталей.** Ушкоджений або заплутаний шнур підвищує ризик ураження електричним струмом.
 - e. При використанні електричного інструменту на вулиці, використовуйте подовжуючий шнур, що підходить для використання на вулиці.** Використання шнура, що підходить для вулиці, знижує ризик ураження електричним струмом.
 - f. Якщо неможливо уникнути використання електричного інструменту в умовах підвищеної вологості, використовуйте живлення, захищене пристроєм залишкового струму (RCD).** Використання RCD знижує ризик ураження електричним струмом.
- #### 3. Особиста безпека
- a. Будьте в стані готовності, дивіться, що ви робите, та використовуйте загальний глузд, коли ви працюєте з електричним інструментом. Не використовуйте електричний інструмент, коли ви втомлені або знаходитесь під впливом наркотичних речовин, алкоголю або ліків.** Втрата уваги при роботі з електричними інструментами може призвести до серйозних травм.
 - b. Використовуйте особисті засоби безпеки. Завжди використовуйте засоби захисту очей.** Захисні пристрої, як, наприклад, протипилова маска, неслизькі захисні черевики, твердий капелюх або засоби захисту слуху, що використовуються для відповідних умов, можуть зменшити ризик травм.
 - c. Уникнення випадкового запуску. Переконайтеся, що вимикач знаходиться в позиції Вилк. перед підключенням до джерела живлення**

та/або акумулятора, переміщенням або перенесенням пристрою. Перенос електричних інструментів, не відпускаючи пальця з вимикача, або ввімкнення електричного інструменту з перемикачем в позиції "Ввімкнено" може призвести до нещасного випадку.

- d. **Зніміть всі налаштувальні ключі або гайкові ключі перед тим, як вмикати електричний інструмент.** Налаштувальний або гайковий ключ, залишений на деталі, що обертається, може призвести до травм.
- e. **Не перенапружуйтеся. Завжди утримуйте правильну постановку ніг і рівновагу.** Це дозволяє тримати електричний інструмент під кращим контролем в несподіваних ситуаціях.
- f. **Вдягайтеся відповідним чином. Не вдягайте вільний одяг чи прикраси. Тримайте ваше волосся, одяг та рукавички подалі від рухомих деталей.** Вільний одяг, прикраси або довге волосся може зачепитися за рухомі деталі.
- g. **Якщо передбачені пристрої для підключення до засобів виділення та збирання пилу, переконайтеся, що вони правильно підключені та використовуються.** Використання таких пристроїв зменшує ризик виникнення небезпечних ситуацій, що пов'язані з потраплянням пилу.

4. Використання та догляд за електричним інструментом

- a. **Не використовуйте надмірні зусилля при роботі з механізованим інструментом. Використовуйте відповідний електричний інструмент для вашої задачі.** Правильно обраний інструмент виконає завдання краще та безпечніше за умов, для яких він був розроблений.
- b. **Не використовуйте інструмент, вмикач якого не вмикає та не вимикає його.** Будь-який електричний інструмент, який не може управлятися вмикачем, є небезпечним і має бути відремонтований.
- c. **Відключіть вилку від джерела живлення або акумулятор перед тим, як робити будь-які налаштування, зміни додаткового обладнання чи зберігання інструменту.** Ці профілактичні заходи зменшують ризик випадкового запуску

електричного інструменту.

- d. **Бережіть вимкнені електричні інструменти від дітей та не дозволяйте особам, що не знайомі з електричним інструментом або цими інструкціями використовувати електричний інструмент.** Електричні інструменти є небезпечними, якщо вони використовуються некваліфікованими користувачами.
 - e. **Технічне обслуговування електричних інструментів. Перевіряйте на відсутність вірвінування або заїдання рухомих деталей, ушкоджених частин та інших умов, що можуть впливати на роботу електричного інструменту. Якщо є ушкодження, відремонтуйте електричний інструмент перед використанням.** Багато нещасних випадків є результатом того, що інструмент не пройшов відповідного технічного обслуговування.
 - f. **Тримайте ріжучі інструменти гострими та чистими.** Правильно доглянуті ріжучі інструменти з гострими ріжучими кромками мають меншу ймовірність заїдання, та ними легше керувати.
 - g. **Використовуйте електричний інструмент, додаткові інструменти та деталі інструменту тощо у відповідності до цих інструкцій та відповідно до даного типу механізованих інструментів, зважаючи на умови використання та роботу, яка має бути виконана.** Використання електричних інструментів не за призначенням може призвести до виникнення небезпечних ситуацій.
- #### 5. Обслуговування
- a. **Надавайте Ваш електричний інструмент для обслуговування кваліфікованим спеціалістом з ремонту та використовуйте тільки ідентичні замінні деталі.** Це забезпечить безпеку електричного пристрою, що обслуговується.

Додаткові правила безпеки для електричного інструменту



Попередження! Додаткові інструкції з техніки безпеки для ножівок.

- ♦ **Тримайте електричні інструменти за ізольовану поверхню при виконанні**

операцій, при яких ріжуча поверхня може торкнутися схованої проводки або власного кабелю. Контакт ріжучих інструментів з дротом під напругою може призвести до появи напруги в інструменті та ураження оператора електричним струмом.

- ◆ **Використовуйте затискач або інший спосіб закріплення деталі, що оброблюється, на стабільній платформі.** Утримання деталі в руках або притискання її до тіла робить цю деталь нестабільною та може призвести до втрати контролю.
- ◆ **Тримайте руки подалі від ріжучої поверхні.** Ніколи не намагайтесь зробити щось під деталлю, що оброблюється. Не залишайте пальці поблизу зони роботи лез, що рухаються у напрямку одне до одного, або лез, що утворюють затиск. Не намагайтесь зупинити полотно ножівки, утримуючи його за місце кріплення.
- ◆ **Підтримуйте леза гострими.** Незагострені або пошкоджені леза можуть призвести до відхилення або зупинки ножівки під тиском. Завжди використовуйте відповідний тип пильного полотна в залежності від матеріалу деталі та типу розтину.
- ◆ **При розрізанні труб переконайтесь, що в них немає води, електропроводки тощо.**
- ◆ **Не торкайтесь деталі або леза відразу після використання інструменту.** Він може стати дуже гарячим.
- ◆ **Пам'ятайте про можливість виникнення схованої небезпеки перед розтинанням стін, підлогу або стелі, тому перевірте, чи не розташовані там труби або проводка.**
- ◆ **Лезо продовжує рухатися після відпускання перемикача.** Завжди вимикайте інструмент та очікуйте, доки полотно лобзика повністю не зупиниться, а лише потім можна покласти ножівку на поверхню.

Попередження! Контакт або вдихання пилу від ріжучого обладнання є небезпечним для здоров'я оператора та, можливо, людей, що знаходяться поблизу. Вдягайте проти пиловий респіратор, що розроблено для захисту від пилу та випаровувань та переконайтесь, що люди в робочій зоні або люди, що потрапляють в робочу зону добре захищені.

- ◆ Використання за призначенням описане в цьому керівництві. Використання аксесуарів або приладдя, або виконання будь-яких дій з інструментом, що суперечать рекомендаціям цього керівництва, може призвести ризику травмування людини та/або пошкодження майна.

Безпека сторонніх людей

- ◆ Цей пристрій не призначений для використання особами (включаючи дітей) із зниженими фізичними, сенсорними та розумовими можливостями, або з недостатнім досвідом та знаннями, за винятком випадків, коли ці особи працюють під наглядом або отримали інструкції щодо використання пристрою від особи, яка відповідає за їхню безпеку.
- ◆ Необхідно наглядати за дітьми, не дозволяти їм грати з пристроєм.

Вібрація

Значення вібрації, вказані в технічних даних та в декларації про відповідність виміряні з дотриманням стандартних методів тестування, наданих в EN 60745, та їх можна використувати для порівняння одного інструменту з іншим. Задекларовані значення вібрації можна також використувати для попередньої оцінки впливу вібрації.

Попередження! Значення вібрації під час використання інструменту може відрізнятись від задекларованого в залежності від способів використання інструменту. Рівень вібрації може перевищувати вказані значення.

При оцінці впливу вібрації для визначення заходів безпеки за вимогами 2002/44/ЕС, щоб захистити людей, що регулярно використовують інструменти в роботі, необхідно враховувати реальні умови та способи використання інструменту, включаючи врахування всіх періодів робочого циклу, наприклад, часу, коли інструмент вимкнено та коли він знаходиться в режимі очікування, а також часу реальної роботи інструменту.

Наклейки на інструментах



Попередження! Щоб зменшити ризик травм, користувач повинен прочитати керівництво з експлуатації.

Електрична безпека



Цей інструмент має подвійну ізоляцію; тому заземлення не є необхідним. Завжди перевіряйте, що джерело живлення відповідає напрузі, що вказана на табличці з паспортними даним.

- ◆ Якщо шнур живлення пошкоджений, необхідно його замінити, звернувшись до виробника або в офіційний сервісний центр Black & Decker, для уникнення небезпеки.

Додаткові інструкції з техніки безпеки для батарей, що не підлягають зарядці

- ◆ Ніколи не намагайтесь відкрити батарею.
- ◆ Не зберігайте в місцях, де температура може перевищувати 40 °С.
- ◆ При знищенні батареї виконайте інструкції, вказані в розділі "Захист навколишнього середовища".
- ◆ Не спалюйте батареї.
- ◆ В екстремальних умовах може виникнути витікання батареї. Коли ви помітите рідину, що витікає з батареї, виконайте наступне:
 - Обережно зітріть рідини за допомогою ганчірки. Уникайте контакту зі шкірою.

Додаткові інструкції з техніки безпеки для лазерів



Уважно прочитати всі розділи цього керівництва.



Цей продукт не можна використовувати дітям до 16 років.



Лазерне випромінювання.



Не дивіться на промінь лазера.



Не використовуйте оптичні пристрої, щоб подивитися на промінь лазера.

- ◆ Цей лазерний пристрій відповідає класу 2 згідно EN 60825-1:2007. Не замінюйте лазерний діод діодом іншого типу. Якщо лазер пошкоджено, відремонтуйте його в авторизованому центрі з ремонту.
- ◆ Не використовуйте лазер для інших цілей, крім проектування ліній випромінювання лазера.
- ◆ Вплив лазерного променя класу 2 на очі вважається безпечним, якщо не перевищує 0,25 секунди. Рефлекси повік

звичайно забезпечують адекватний захист. На відстані більше 1м, лазер відповідає класу 1 та вважається повністю безпечним.

- ◆ Ніколи не дивіться безпосередньо та навмисне на лазерний промінь.
- ◆ Не використовуйте оптичні пристрої, щоб подивитися на промінь лазера.
- ◆ Не встановлюйте інструмент в місцях, де лазерний промінь може потрапити на людину на рівні голови.
- ◆ Не дозволяйте дітям знаходитись поряд з лазером.

Деталі

1. Ручка управління змінної швидкості
2. Вимикач
3. Кнопка блокування
4. Кришка відсіку для зберігання леза
5. Блокуючий важіль опорної плити
6. Вихідний отвір пиловловлювання
7. Опорна плита
8. Опорний ролик полотна ножівки
9. Селектор ходу маятника

Додаткові деталі (мал. А)

Додаткові деталі наявні в залежності від придбаної моделі. Додаткові деталі, що вказані в каталозі за номерами, показані на мал. А.

Зборка

Попередження! Перед спробою виконати будь-яку з наступних операцій переконайтесь, що пристрій вимкнений та що полотно пилки зупинилось. Після використання полотна лобзика можуть бути гарячими.

Встановлення та знімання пильного полотна (мал. В і С)

Попередження! Перед спробою виконати будь-яку з наступних операцій переконайтесь, що пристрій вимкнений та що полотно пилки зупинилось. Після використання полотна лобзика можуть бути гарячими.

Встановлення пильного полотна (мал. В)

- ◆ Тримайте ріжуче полотно (10) як показано, щоб зубці дивилися вперед.
- ◆ Натисніть та утримуйте натиснутим затискний пристрій леза (11).
- ◆ Встановіть стрижень ріжучого полотна у тримач полотна (12) настільки, наскільки це можливо.
- ◆ Відпустіть затискний пристрій леза (11).

Зберігання ріжучого полотна (мал. С)

Пильне полотно (10) можна зберігати у відсіку для зберігання (4), що розташований на боковій стороні інструменту.

- ◆ Відкрийте кришку відсіку для зберігання пильного полотна (4), утримуючи кнопку на верхній поверхні кришки та штовхаючи від себе.
- ◆ Ріжучі полотна утримуються у відсіку за допомогою магнітної смуги. Щоб витягнути ріжуче полотно, натисніть на один кінець полотна, щоб підняти інший кінець та витягнути полотно.
- ◆ Закрийте кришку відсіку для зберігання полотна (4) та переконайтесь, що вона надійно зафіксована.

Попередження! Надійно закрийте дверцята відсіку для зберігання перед використанням ножівки.

Приєднання пилососу до інструменту (мал. D)

Щоб підключити пилосос або пилосос-вловлювач до інструменту, необхідний адаптер (13).

- ◆ Вставте адаптер (13) в отвір пилосос-вловлювання (6).
- ◆ Під'єднайте шланг пилососу (14) до адаптеру (13).

Система очищення лінії розтину (мал. E)

- ◆ Для покращення обзору при розрізанні Ваш лобзик оснащено системою очищення (вентилятором) лінії розтину (15), що очищує робочу область від пилу під час роботи.

Залишкові ризики

Додаткові залишкові ризики можуть виникнути при використанні приладдя, яке не охоплюється попередженнями з техніки безпеки. Ці ризики можуть виникнути через невірне використання, тривале використання, тощо.

Навіть виконуючи всі відповідні заходи техніки безпеки та використовуючи необхідні захисні пристрої, неможливо уникнути певних залишкових ризиків. Сюди належать:

- ◆ Травми через контакт з деталями, що обертаються/рухаються.
- ◆ Травми при заміні деталей, лез або аксесуарів.
- ◆ Травми через тривале використання інструменту. При використанні інструменту протягом тривалого часу не забувайте рубити регулярні перерви.

- ◆ Пошкодження слуху.
- ◆ Небезпека для здоров'я через вдихання пилу, що утворюється при використанні інструменту (наприклад, при обробці деревини, особливо дуба, берези та ДВП).

Використання

Налаштування опорної пластини для зняття фаски (мал. F та G)

Попередження! Ніколи не використовуйте лобзик, коли її опорна пластина незакріплена або знята.

Опорна пластина (7) може бути встановлена для лівого чи правого кута фаски до 45°.

- ◆ Перемістіть блокуючий важіль опорної пластини (5) від себе, щоб розблокувати опорну пластину (7) з позиції 0 градусів.
- ◆ Потягніть опорну пластину (7) вперед та встановіть необхідний кут 15°, 30° та 45°, як вказано у вікні куту фаски.
- ◆ Перемістіть блокуючий важіль опорної пластини (5) у напрямку до ножівки, щоб зафіксувати опорну пластину (7).

Повторне налаштування опорної пластини (7) для різки під прямим кутом:

- ◆ Потягніть блокуючий важіль опорної пластини (5) від себе, щоб розблокувати опорну пластину (7).
- ◆ Встановіть опорну пластину (7) на кут 0° та потягніть опорну пластину назад.
- ◆ Перемістіть блокуючий важіль опорної пластини (5) у напрямку до ножівки, щоб зафіксувати опорну пластину (7).

Встановлення маятникового ходу (мал. H)

- ◆ Встановіть селектор маятникового ходу (9) в необхідну позицію.
- ◆ Позиція 0: метал та алюміній, а також листовий метал.
- ◆ Позиція I: ламінати, тверда деревина, робочі поверхні.
- ◆ Позиція II: фанера та полівінілхлорид/пластик.
- ◆ Позиція III: м'яка деревина та швидкі розтини.

Управління змінною швидкістю

- ◆ Встановіть ручку управління змінною швидкістю (1) на необхідний діапазон швидкості.
- ◆ Використовуйте високу швидкість для дерева, середню швидкість для алюмінію та ПВХ та низьку швидкість для металів, крім алюмінію.

Вмикання та вимикання

- ◆ Для ввімкнення інструменту натисніть перемикач ввімкнено/вимкнено (2).
- ◆ Щоб вимкнути інструмент, відпустіть перемикач вперед/назад (2).
- ◆ Для безперервної роботи натисніть кнопку блокування (3) та відпустіть перемикач вкл./викл. (2).
- ◆ Для вимкнення інструменту в процесі використання, натисніть на перемикач вкл./викл. (2) та відпустіть його.

Розпилювання

Під час розпилювання тримайте інструмент міцно обома руками.

Необхідно міцно притискати опорну пластину (7) до матеріалу, що розпилюється. Це допоможе уникнути "стрибання" пилки, зменшити вібрацію та мінімізувати можливість пошкодження ріжучого полотна.

- ◆ Полотно повинно ходити вільно декілька секунд перед початком розпилювання
- ◆ Застосовуйте лише невеликий тиск при розпилюванні.

Використання лазера (мал. I- L) (лише у моделі KS900EL)

Встановлення батарей (мал. I)

Зніміть модуль лазера (17) з лобзика, відкрутивши гвинт (16) та потягнувши цей модуль вперед. Вставте дві нові лужні батареї AAA 1,5 Вольт, переконавшись, що полюси батарей відповідають (+) та (-). Знов встановіть модуль лазера (17).

Налаштування лазера бік у бік (мал. J)

Примітка: Лазер використовується в якості допоміжного засобу при розпилюванні та не гарантує точності розтину.

Попередження! Не налаштовуйте лазер, коли лобзик під'єднан до мережі живлення.

- ◆ Використовуйте гвинт налаштування лазера (18), щоб вирівняти лінію лазера по пильному полотну лобзика, якщо це необхідно.

Видимість лазера (потужність) буде меншою, якщо лобзик перегрівается. Лазер може стати невидимим, якщо лобзик перевантажен протягом довгого часу. Видимість лазера поступово повернеться до нормальної, коли інструмент охолоне, навіть якщо він відключений від мережі живлення.

Попередження! Не залишайте перегрітий лазер в положенні ВКЛ. Переконайтесь, що перемикач встановлено в позицію ВИКЛ, та витягніть батарею, щоб лазер не мав енергії.

Використання лазера (мал. K - L)

Лазер проектує лінію розтину (21) на поверхню деталі.

- ◆ Щоб увімкнути лазер, натисніть кнопку (19).
- ◆ Щоб вимкнути лазер, натисніть кнопку (19) знову.

Дивлячись на лінію безпосередньо над лобзиком, можна легко стежити за лінією розтину (21). Якщо через якісь причини Ви погано бачите цю лінію, можна використовувати лазер в якості альтернативної направляючої розрізу.

- ◆ Використовуйте олівець, щоб відмітити лінію розтину (20).
- ◆ Розмістіть лобзик над лінією (20).
- ◆ Ввімкніть лазер.

Примітки для оптимального використання

Розпилення ламінату

При розпилюванні ламінату може виникнути розколювання, що пошкоджує зовнішню поверхню. Більшість пильних полотен ріжуть, рухаючись догори, тому якщо опорна пластина знаходиться на лицьовій стороні, то або використовуйте пильне полотно, що ріже, рухаючись донизу, або:

- ◆ Використовуйте ріжуче полотно з тонкими зубцями.
- ◆ Розпилюйте, починаючи з задньої поверхні матеріалу.
- ◆ Для зменшення розщеплення, прикріпіть шматки деревини чи твердої ДВП до обох сторін матеріалу та розпиліть цей "сандвич".

Розпилення металу

Зверніть увагу на те, що розпилення металу займає набагато більше часу, ніж розпилення деревини.

- ◆ Використовуйте ріжуче полотно, необхідне для розпилення металу
- ◆ При розрізанні тонкого листового металу закріпіть шматки деревини на задню поверхню матеріалу та розпиліть цей "сандвич".
- ◆ Покрийте передбачену лінію розрізання шаром мастила.

Заміна шнура живлення (тільки для Великобританії та Ірландії)

Якщо нові шнури живлення мають бути прилаштовані:

- ◆ Зніміть стару вилку та утилізуйте її, дотримуючись правил техніки безпеки.
- ◆ Приєднайте коричневий провідник до активного виходу нової вилки.
- ◆ Приєднайте блакитний провідник до нейтрального виходу.

Попередження! Жоден провідник не повинен бути підключений до клеми заземлення. Дотримуйтеся інструкцій щодо налаштування, що поставляються з якісними вилками. Плавкий запобіжник, що рекомендується: 5 А.

Технічне обслуговування

Ваш інструмент виробництва компанії Black & Decker призначений для роботи протягом довгого часу з мінімальним обслуговуванням. Постійна задовільна робота залежить від правильного догляду за інструментом та регулярної очистки.

- ◆ Регулярно очищуйте вентиляційний отвір за допомогою м'якої щітки або сухої ганчірки.
- ◆ Регулярно очищуйте корпус мотору вологою ганчіркою. Не використовуйте абразивні засоби та очищаючі засоби, що містять розчинники. Ніколи не дозволяйте будь-якій рідині потрапити всередину інструменту і ніколи не занурюйте деталі інструменту в рідину.

Захист навколишнього середовища



Окреме збирання. Цей продукт не можна викидати разом зі звичайним побутовим сміттям.

Якщо якимось Ви вирішите, що ваш виріб фірми Black & Decker має бути замінено, або він Вам більше не потрібний, не викидайте його на смітник побутового сміття. Зробіть цей виріб доступним для окремого збору.



Збір використаних продуктів та упаковок в окремі контейнери дозволяє переробляти матеріали та використовувати їх вдруге. Повторна переробка матеріалів допомагає попередити забруднення навколишнього середовища та зменшує потребу в сировині.

Місцеві законодавчі акти можуть передбачати окремий збір електричного обладнання

в муніципальних місцях для збору сміття або продавцями при покупці нового обладнання.

Компанія Black & Decker має можливість для збору та переробки продуктів власного виробництва після закінчення їхнього терміну служби. Щоб скористатися цією послугою, поверніть виріб компанії в офіційний сервісний центр, які збирають відпрацьовані продукти за наш рахунок.

Ви можете знайти місцезнаходження найближчого до Вас сервісного центру, зв'язавшись з місцевим офісом компанії Black & Decker за адресою, вказаною в цих інструкціях. Крім того, список офіційних сервісних центрів компанії Black & Decker з усіма подробицями нашого післяпродажного обслуговування та контактною інформацією міститься в Інтернеті за адресою: www.2helpU.com.

Батареї



В кінці їхнього строку служби викиньте батареї, не забуваючи про навколишнє середовище:

- ◆ Не замикайте контакти батареї.
- ◆ Не викидайте батареї у вогонь, це може призвести до травм або вибуху.
- ◆ Повністю розрядіть батареї, а потім витягніть з інструменту.
- ◆ Батареї підлягають повторній переробці. Помістіть батарею(ї) у відповідну упаковку, щоб запобігти замиканню контактів. Віднесіть їх в будь-який офіційний ремонтний центр або на місцеву переробну станцію.

Технічні дані

	KS900E ТИП 1
	KS900EL ТИП 1
Напруга	Вас 230
Номінальна потужність	Вт 600
Швидкість без навантаження	об/хв. 800-3000
Максимальна глибина розпилення	
Дерево	мм 85
Сталь	мм 5
Алюміній	мм 15
Вага	кг 2,36
(з лазером)	кг 2,66

Рівень звукового тиску згідно з EN 60745:
 L_{PA} (звуковий тиск) 87 дБ (А), погрішність (К) 3 дБ(А), L_{WA} (акустична потужність) 98 дБ(А), погрішність (К) 3 дБ(А)

Загальні значення вібрації (векторна сума трьох векторів) згідно з EN 60745:
Різання дерева ($a_{h,CM}$) 10,5 м/с², погіршність (K) 1,5 м/с²,
Різання металу ($a_{h,CM}$) 14,5 м/с², погіршність (K) 1,5 м/с²

Заява про відповідність ЄС
ДИРЕКТИВА ДЛЯ МЕХАНІЧНОГО
ОБЛАДНАННЯ



KS900E, KS900EL

Компанія Black & Decker заявляє, що продукти, описані в розділі "Технічні дані" відповідають: 2006/42/EC, EN60745-1, EN60745-2-11

Для отримання додаткової інформації, будь ласка, зверніться до компанії Black & Decker за наступною адресою або прочитайте інформацію на зворотній стороні цього керівництва.

Нижчепідписаний несе відповідальність за упорядкування файлу технічних характеристик та робить цю заяву від компанії Black & Decker

Кевін Хьюїт (Kevin Hewitt)
Віце-президент
з глобальних розробок
Black & Decker Europe,
210 Bath Road, Slough,
Berkshire, SL1 3YD
Великобританія
10-02-2010

БЛЕК ЕНД ДЕККЕР

гарантійні умови

Шановний покупцю!

1. Вітаємо Вас з покупкою високоякісного виробу компанії Black & Decker та висловлюємо Вам свою вдячність за Ваш вибір.
- 1.1. Надійна робота цього виробу на протязі всього терміну експлуатації є предметом особливої турботи наших сервісних служб. У випадку виникнення будь-яких проблем в процесі експлуатації виробу ми рекомендуємо Вам звертатися лише до авторизованих сервісних організацій, адреси та телефони яких Ви зможете знайти в Гарантійному талоні або дізнатися в магазині. Наші сервісні центри – це не тільки кваліфікований ремонт, але і широкий вибір запчастин та аксесуарів.
- 1.2. При купівлі виробу вимагайте перевірки його комплекtnості та справності за Вашою присутності, наявності інструкції та заповненого Гарантійного талону на українській мові. За умови відсутності у Вас правильно заповненого Гарантійного талону ми будемо вимушені відхилити Ваші претензії щодо якості цього виробу.
- 1.3. Щоб уникнути всіх непорозумінь наполегливо просимо Вас перед початком роботи з виробом уважно ознайомитись з інструкцією щодо його експлуатації.
- 1.4. Звертаємо Вашу увагу на виключно побутове призначення цього виробу.
2. Правовою основою даних гарантійних умов є діюче Законодавство та, зокрема, Закон "Про захист прав споживачів".
3. Гарантійний термін на даний виріб складає 24 місяці та починається з дня продажу через роздрібну торгову мережу. У випадку усунення недоліків виробу гарантійний термін подовжується на період, протягом якого виріб не використовувався.
4. Термін служби виробу - 5 років (мінімальний, встановлений у відповідності до Закону "Про захист прав споживачів").
5. Наші гарантійні зобов'язання поширюються тільки на несправності, виявлені протягом гарантійного терміну та обумовлені виробничими та конструктивними факторами.
6. Гарантійні зобов'язання не поширюються:
 - 6.1. На несправності виробу, що виникли в результаті:
 - 6.1.1. Недотримання користувачем вказівок інструкції з експлуатації виробу.
 - 6.1.2. Механічних пошкоджень, викликаних зовнішнім ударним або іншим впливом.
 - 6.1.3. Використання виробу в професійних цілях та об'ємах, в комерційних цілях.
 - 6.1.4. Застосування виробу не за призначенням.
 - 6.1.5. Стихійного лиха.

- 6.1.6. Несприятливому атмосферному та інших зовнішніх впливах на виріб, таких як дощ, сніг, підвищена вологість, нагрів, агресивні середовища, невідповідність параметрів електромережі параметрам, вказаним на інструменті.
- 6.1.7. Використання аксесуарів, витратних матеріалів та запчастин, які не рекомендовані або не схвалені виробником.
- 6.1.8. Проникнення всередину інструменту сторонніх предметів, комах, матеріалів або речовин, що не є відходами, які супроводжують використання інструменту за призначенням, наприклад, стружки, опилки та ін.
- 6.2. На інструменти, що були відкриті, піддані ремонту або модифікації поза уповноваженим сервісним центром.
- 6.3. На приналежності, запчастини, що вийшли з ладу внаслідок нормального зносу, та витратні матеріали, такі як, приводні ремені, вугільні щітки, ножі, та ін.
- 6.4. На несправності, які виникли в результаті перевантаження інструменту, що призвело до виходу з ладу електродвигуна або інших вузлів та деталей. До безумовних ознак переважання виробу належать, зокрема: поява кольорів мінливості, деформація або оплавлення деталей та вузлів виробу, потемніння або обуглювання ізоляції дротів електродвигуна під впливом високої температури.



Блек енд Декер ГмбХ,
Блек енд Декер Штрассе, 40,
65510 Ідштайн, Німеччина.

03 червня 1999 р.

Kullanım amacı

Black & Decker dekupaj testereniz ahşap, plastik ve metal kesimi için tasarlanmıştır. Bu alet sadece hafif hizmet ve hobi kullanımına yöneliktir.

Genel güvenlik kuralları



Uyarı! Bütün güvenlik uyarılarını ve talimatlarını mutlaka okuyun. Bu talimatların herhangi birisine uyulmaması elektrik çarpması, yangın ve/veya ciddi yaralanma riskine neden olabilir.

Bütün uyarı ve güvenlik talimatlarını ilerde bakmak üzere muhafaza edin.

Aşağıda yer alan uyarılardaki "elektrikli alet" terimi şebeke elektriğiyle (kablolu) veya akü/pille (şarjlı) çalışan elektrikli aletinizi ifade etmektedir.

1. Çalışma alanının güvenliği

- Çalışma alanını temiz ve aydınlık tutun.** Karışık ve karanlık alanlar kazaya davetiye çıkarır.
- Elektrikli aletleri, yanıcı sıvılar, gazlar ve tozların bulunduğu yerler gibi yanıcı ortamlarda çalıştırmayın.** Elektrikli aletler, toz veya dumanları ateşleyebilecek kıvılcımlar çıkarır.
- Bir elektrikli aleti çalıştırırken çocuklardan ve etraftaki kişilerden uzak tutun.** Dikkatinizi dağıtıcı şeyler kontrolü kaybetmenize neden olabilir.

2. Elektrik güvenliği

- Elektrikli aletlerin fişleri prizlere uygun olmalıdır. Fiş üzerinde kesinlikle hiçbir değişiklik yapmayın. Topraklı elektrikli aletlerde hiçbir adaptör fişi kullanmayın.** Değiştirilmemiş fişler ve uygun prizler elektrik çarpması riskini azaltacaktır.
- Borular, radyatörler, ocaklar ve buzdolapları gibi topraklanmamış yüzeylerle vücut temasından kaçının.** Vücudunuzun topraklanması halinde yüksek bir elektrik çarpması riski vardır.
- Elektrikli aletleri yağmura maruz bırakmayın veya ıslatmayın.** Elektrikli alete su girmesi elektrik çarpması riskini arttıracaktır.
- Elektrik kablosunu uygun olmayan amaçlarla kullanmayın. Elektrikli aleti kesinlikle kablosundan tutarak taşımayın, çekmeyin veya prizden çıkartmayın.** Kabloyu sıcaktan, yağdan, keskin kenarlardan veya hareketli parçalardan

uzak tutun. Hasarlı veya dolaşmış kablolar elektrik çarpması riskini artırır.

- Elektrikli bir aleti açık havada çalıştırıyorsanız, açık havada kullanıma uygun bir uzatma kablosu kullanın.** Açık havada kullanıma uygun bir kablolu kullanılması elektrik çarpması riskini azaltır.
- Eğer bir elektrikli aletin nemli bir alimde çalıştırılması zorluyorsa, bir artık akım aygıtı (RCD) korumalı bir kaynak kullanın.** Bir RCD kullanılması elektrik şoku riskini azaltır.
- Kişisel güvenlik**
 - Elektrikli bir aleti kullanırken her zaman dikkatli olun, yaptığınız işe yoğunlaşın ve sağduyulu davranın. Elektrikli bir aleti yorgunken veya ilaç ya da alkolün etkisi altındayken kullanmayın.** Elektrikli aletleri kullanırken bir anlık dikkatsizlik ciddi kişisel yaralanmaya sonuçlanabilir.
 - Kişisel koruyucu ekipmanları mutlaka kullanın. Daima koruyucu gözlük takın.** Koşullara uygun toz maskesi, kaymayan güvenlik ayakkabıları, baret veya kulaklık gibi koruyucu donanımların kullanılması kişisel yaralanmaları azaltacaktır.
 - İstem dışı çalıştırılmasını önleyin. Cihazı güç kaynağına ve/veya aküye bağlamadan, yerden kaldırmadan veya taşımadan önce düğmenin kapalı konumda olduğundan emin olun.** Aleti, parmağınız düğme üzerinde bulunacak şekilde taşımak veya açık konumdaki elektrikli aletleri elektrik şebekesine bağlamak kazaya davetiye çıkarır.
 - Elektrikli aleti açmadan önce tüm ayarlamaları anahtarlarını çıkartın.** Elektrikli aletin hareketli bir parçasına takılı kalmış bir anahtar kişisel yaralanmaya neden olabilir.
 - Ulaşmakta zorlandığınız yerlerde kullanmayın. Daima sağlam ve dengeli basın.** Bu, beklenmedik durumlarda elektrikli aletin daha iyi kontrol edilmesine olanak tanır.
 - Uygun şekilde giyinin. Bol elbiseler giymeyin ve takı takmayın. Saçınızı, elbiselerinizi ve eldivenlerinizi hareketli parçalardan uzak tutun.** Bol elbiseler ve takılar veya uzun saç hareketli parçalara takılabilir.
 - Eğer kullandığınız üründe toz emme ve toplama özellikleri olan ataşmanlar varsa bunların bağlı olduğundan ve doğru şekilde kullanıldığınından emin olun.** Bu ataşmanların kullanılması tozla ilgili tehlikeleri azaltabilir.

4. Elektrikli aletlerin kullanımı ve bakımı.
 - a. Elektrikli aleti zorlamayın. Uygulanmaz için doğru elektrikli aleti kullanın. Doğru elektrikli alet, belirlendiği kapasite ayarında kullanıldığında daha iyi ve güvenli çalışacaktır.
 - b. **Düğme açmıyor ve kapatmıyorsa elektrikli aleti kullanmayın.** Düğmeyle kontrol edilemeyen tüm elektrikli aletler tehlikelidir ve tamir edilmesi gerekmektedir.
 - c. **Herhangi bir ayarlama, aksesuar değişimi veya elektrikli aletlerin saklanması öncesinde fişi güç kaynağından çekin ve/veya aküyü elektrikli aletten ayırın.** Bu tür önleyici güvenlik tedbirleri aletin istem dışı olarak çalıştırılması riskini azaltacaktır.
 - d. **Elektrikli aleti, çocukların ulaşamayacağı yerlerde saklayın ve elektrikli aleti tanımayan veya bu talimatları bilmeyen kişilerin elektrikli aleti kullanmasına izin vermeyin.** Elektrikli aletler, eğitimsiz kullanıcıların elinde tehlikelidir.
 - e. **Elektrikli aletleri iyi durumda muhafaza edin. Hareketli parçalardaki hizalama hatalarını ve tutuklukları, parçalardaki kırılmalar ve elektrikli aletin çalışmasını etkileyebilecek tüm diğer koşulları kontrol edin. Hasarlı ise, elektrikli aleti kullanmadan önce tamir ettirin.** Kazaların çoğu, elektrikli aletlerin bakımının yeterli şekilde yapılmamasından kaynaklanır.
 - f. **Kesim aletlerini keskin ve temiz tutun.** Bakımı uygun şekilde yapılmış keskin kesim uçlu kesim aletlerinin sıkışma ihtimali daha düşüktür ve kontrol edilmesi daha kolaydır.
 - g. **Elektrikli aleti, aksesuarlarını ve aletin diğer parçalarını kullanırken bu talimatlarla mutlaka uyun ve çalışma ortamının koşullarını ve yapılacak işin ne olduğunu göz önünde bulundurun.** Elektrikli aletin öngörülen işlemler dışındaki işlemler için kullanılması tehlikeli durumlara neden olabilir.

5. Servis

- a. **Elektrikli aletinizi, sadece orijinal yedek parçaların kullanıldığı yetkili Black & Decker servisine tamir ettirin.** Bu, elektrikli aletin güvenliğinin muhafaza edilmesini sağlayacaktır.

Elektrikli el aletleri için ek güvenlik talimatları



Uyarı! Dekupaj testereleri için ek güvenlik talimatları.

- ◆ **Kesme aksesuarının gizli kabloları veya kendi kablosuna temas edebileceği yerlerde çalışma yaparken elektrikli aleti yalıtımlı kavrama yüzeylerinden tutun.** Kesme aksesuarının «akım taşıyan» bir kabloya temas etmesi durumunda elektrikli aletin metal kısımları da «akım taşıyıcı» hale gelecek ve kullanıcının elektrik çarpmasına neden olabilir.
- ◆ **Üzerinde çalıştığınız parçayı sabitlemek ve desteklemek için kelepçeler veya başka pratik yöntemler kullanın.** Parçayı elle tutmanız veya vücudunuza dayanmanız dengesi durmasına neden olup, aletin kontrolünü kaybetmenize yol açabilir.
- ◆ **Ellerinizi kesim alanından uzak tutun.** Çalıştığınız parçanın altına hiçbir nedenle uzanmayın. Hareket eden bıçak ve bıçak mandalının yakınına parmaklarınızı veya başparmağınızı sokmayın. Testereyi tabanından tutarak dengelemeye çalışmayın.
- ◆ **Bıçakları keskin durumda muhafaza edin.** Körelmiş veya hasarlı bıçaklar testerenin basınç altında başka bir yöne fırlamasına veya sıkışmasına neden olabilir. Her zaman, üzerinde çalışılan malzeme ve kesim tipine uygun tipte testere bıçağı kullanın.
- ◆ **Boru veya kanal keserken içerinden su, elektrik kablosu vb. geçmediğinden emin olun.**
- ◆ **Aletle çalışmanız bittikten hemen sonra üzerinde çalıştığınız parçaya dokunmayın.** Çok sıcak olabilirler.
- ◆ **Duvarlarda, zeminlerde veya tavanlarda kesim yapmadan önce gizli tehlikelere karşı dikkatli olun; kablo ve boruların yerlerini kontrol edin.**
- ◆ **Bıçak, tetik bırakıldıktan sonra da hareket etmeye devam edebilir.** Aleti yere bırakmadan önce daima kapatın ve testere bıçağının tamamen durmasını bekleyin.

Uyarı! Kesim uygulamaları nedeniyle açığa çıkan tozla temas, operatörün ve çevrede bulunanların sağlığını tehlikeye atabilir. Toz ve dumanlara karşı korunma için özel olarak tasarlanmış bir toz maskesi kullanın ve çalışma alanına giren veya bu alanda bulunan kişilerin de korunduğundan emin olun.

- ◆ Bu aletin kullanım amacı bu kılavuzda belirtilmiştir. Herhangi bir aksesuarın veya bağlantının ya da işlemin, bu kılavuzda tavsiye edilen şekilden başka bir şekilde kullanılması şahısların yaralanmalarına ve/veya mal kaybına yol açabilir.

Diğer kişilerin güvenliği

- ◆ Bu alet fiziksel ve zihinsel kapasitesinin yanı sıra algılama gücü azalmış olan veya yeterince deneyim ve bilgisi bulunmayan kişiler (çocuklar dahil) tarafından kullanılmak üzere üretilmemiştir. Bu tür kişiler aleti ancak güvenliklerinden sorumlu bir kişi tarafından cihazın kullanımıyla ilgili talimatların verilmesi veya sürekli kontrol altında tutulması durumunda kullanabilir.
- ◆ Çocuklar, aletle oynamalarını önlemek amacıyla kontrol altında tutulmalıdır.

Titreşim

Teknik veriler ve uygunluk beyanati içerisinde belirtilen titreşim emisyon değerleri EN60745 tarafından belirlenen standart bir test yöntemine uygun olarak ölçülmektedir ve diğer bir aletle karşılaştırma yaparken kullanılabilir. Beyan edilen titreşim emisyon değeri aynı zamanda maruz kalmanın önceden değerlendirilmesinde de kullanılabilir.

Uyarı! Elektrikli aletin mevcut kullanımı sırasındaki titreşim emisyon değeri, aletin kullanım yöntemine bağlı olarak, beyan edilen değere göre farklılık sergileyebilir. Titreşim düzeyi belirlenen seviyenin üzerinde artış gösterebilir.

İşyerinde düzenli olarak elektrikli alet kullanan çalışanları korumak amacıyla 2002/44/EC tarafından getirilen elektrik güvenliği önlemlerini belirlemek üzere titreşime maruz kalmayı değerlendirirken, çalışma döngüsü içerisinde örneğin aletin kapalı olduğu ve aktif durumda olmasının yanı sıra boşta çalıştığı zamanlar gibi, bütün zaman dilimleri dahil olmak üzere mevcut kullanım durumu ve aletin kullanım şekli göz önünde bulundurularak değerlendirilmelidir.

Alat üzerindeki etiketler



Uyarı! Yaralanma riskini en aza indirmek için kullanıcı kullanım talimatlarını mutlaka okumalıdır.

Elektrik güvenliği



Bu alet çift yalıtımlıdır; bu nedenle hiçbir toprak kablosuna gerek yoktur. Her zaman şebeke geriliminin aletin üretim etiketinde belirlenmiş değerlere uygun olup olmadığını kontrol edin.

- ◆ Elektrik kablosu hasarlı ise, bir tehlike oluşmasını önlemek için üretici ya da yetkili Black & Decker servisi tarafından değiştirilmelidir.

Şarj edileme özelliği olmayan piller için ek güvenlik talimatları

- ◆ Kesinlikle, herhangi bir nedenle açmaya çalışmayın.
- ◆ Sıcaklığın 40 °C'yi aşabileceği yerlerde saklamayın.
- ◆ Pilleri atarken, "Çevrenin korunması" başlıklı bölümdeki talimatlara uyun.
- ◆ Pilleri ateşe atmayın.
- ◆ Sıra dışı koşullarda pil akabilir. Pilin yüzeyinde ıslak yerler gördüğünüzde aşağıda belirtilenleri yapın:
 - Sıvıyı bir bez kullanarak dikkatli bir şekilde silin. Ciltle temasından kaçınınız.

Lazerler için ek güvenlik talimatları



Bu kılavuzu dikkatlice okuyun.



Bu ürün, 16 yaşından küçük çocuklar tarafından kullanılmamalıdır.



Lazer ışınımı.



Lazer ışınının içine bakmayın.



Lazer ışınını görmek için optik aletler kullanmayın.

- ◆ Bu lazer, EN 60825-1:2007 uyarınca 2. sınıfa uygundur. Lazer diyodunu başka tipte bir diyotla değiştirmeyin. Lazerin hasar görmesi halinde, lazerin onarımını yetkili bir servise yaptırınız.
- ◆ Lazeri, lazer çizgileri yansıtma dışında bir amaç için kullanmayın.
- ◆ Gözünüz, sınıf 2 lazer huzmesine maruz kalması maksimum 0,25 saniye süreyle güvenli kabul edilmektedir. Göz kapağı refleksleri normalde yeterli korunma sağlayacaktır. 1 metrenin üzerindeki mesafelerde, lazer, sınıf 1'le uyumlu hale gelir ve tümüyle güvenli kabul edilir.
- ◆ Kesinlikle doğrudan ve bilinçli olarak lazer ışınına bakmayın.
- ◆ Lazer ışınını görmek için optik aletler kullanmayın.
- ◆ Aleti, lazer ışınının herhangi bir kişinin baş hizasından geçebileceği bir konumda kurmayın.
- ◆ Çocukların lazere yaklaşmasına izin vermeyin.

ÖZELLİKLER

1. Değişken hız kontrol düğmesi
2. Açma/kapama düğmesi

3. Kesintisiz çalıştırma düğmesi
4. Testere bıçağı saklama bölmesi kapağı
5. Testere tabanı kilitleme kolu
6. Toz atma çıkışı
7. Testere tabanı
8. Testere bıçağı destek silindiri
9. Pandül ayarı

Ek özellikler (Şekil A)

Satın aldığınız ürüne bağlı olarak ek özellikler mevcut olabilir. Satın almış olduğunuz ürünün katalog numarasına ait ek özellikler şekil A'da gösterilmektedir.

Montaj

Uyarı! Aşağıdaki işlemlerden herhangi birini gerçekleştirmeden önce, aletin kapalı ve fişinin çekili olduğundan ve testere bıçağının durduğundan emin olun. Kullanılmış testere bıçakları sıcak olabilir.

Testere bıçağının takılması ve çıkartılması (Şekiller B ve C)

Uyarı! Aşağıdaki işlemlerden herhangi birini gerçekleştirmeden önce, aletin kapalı ve fişinin çekili olduğundan ve testere bıçağının durduğundan emin olun. Kullanılmış testere bıçakları sıcak olabilir.

Testere bıçağının takılması (Şekil B)

- ◆ Testere bıçağını (10) şekilde gösterildiği gibi dişleri dışarı bakacak şekilde tutun.
- ◆ Bıçak mandalına (11) bastırın ve basılı tutun.
- ◆ Testere bıçağının sap kısmını bıçak yuvasına (12) gittiği kadar sokun.
- ◆ Bıçak mandalını (11) serbest bırakın.

Testere bıçağının saklanması (Şekil C)

Testere bıçakları (10) aletin yan kısmındaki saklama bölümünde (4) saklanabilir.

- ◆ Kapağı üstündeki tırnağı tutup dışarı çekerek testere bıçağı saklama bölümünün kapağını (4) açın.
- ◆ Bıçaklar bölmede manyetik bir şeritle tutulur. Bir bıçağı çıkartmak için, bıçağın bir ucunu aşağıya doğru bastırarak bıçağı yukarı kaldırın ve çıkartın.
- ◆ Testere bıçağı saklama bölümünün kapağını (4) kapatın ve mandalının kapandığından emin olun.

Uyarı! Testereyi çalıştırmadan önce bölmenin kapağını tam olarak kapatın.

Alete bir elektrikli süpürge bağlanması (Şekil D)

Alete elektrikli süpürge veya toz emici cihaz bağlamak için bir adaptör (13) gereklidir.

- ◆ Adaptörü (13) toz atma çıkışının (6) içine itin.
- ◆ Elektrikli süpürgenin hortumunu (14) adaptöre (13) bağlayın.

Toz Üfleme (Şekil E)

- ◆ Kesim sırasında kestiğiniz yeri görmenizi kolaylaştırmak için dekupaj testereniz, siz kesim yaparken çalışma alanındaki tozları temizleyen toz üfleme özelliği (15) ile donatılmıştır.

Diğer tehlikeler

Aletin kullanımıyla ilgili ekte sunulan güvenlik uyarılarına dahil olmayan ilave kalıcı riskler ortaya çıkabilir. Bu riskler, hatalı, uzun süreli kullanım vb. dolayısıyla ortaya çıkabilir.

Emniyet tedbirlerini düzenleyen yönetmeliğin uygulanmasına ve emniyet sağlayıcı aygıtların kullanılmasına rağmen, başka belirli risklerden kaçınılamaz. Bunlar:

- ◆ Aletin dönen ve hareket eden parçalarına dokunma sonucu ortaya çıkan yaralanmalar.
- ◆ Herhangi bir parçayı, bıçak veya aksesuarı değiştirirken ortaya çıkan yaralanmalar.
- ◆ Aletin uzun süreli kullanılması sonucu ortaya çıkan yaralanmalar. Herhangi bir aleti uzun sürelerle kullanacaksanız düzenli olarak çalışmanıza ara verin.
- ◆ Duyma bozukluğu.
- ◆ Aleti kullanırken ortaya çıkan tozun solunması sonucu ortaya çıkan sağlık sorunları (örnek: ahşapta çalışırken, özellikle meşe, akgürge ve MDF).

Kullanımı

Açılı kesimler için testere tabanının ayarlanması (Şekiller F ve G)

Uyarı! Aleti, testere tabanı gevşek veya çıkartılmışken kesinlikle kullanmayın.

Testere tabanı (7) 45°'ye kadar sol veya sağa eğimli açılara ayarlanabilir.

- ◆ Testere tabanını (7) 0 derece konumundan açmak için testere tabanı kilitleme kolunu (5) çekin.
- ◆ Testere tabanını (7) ileriye doğru çekin ve gereken açıyı, açılı penceresinde belirtildiği şekilde 15°, 30° ve 45° olarak ayarlayın.
- ◆ Testere tabanını (7) kilitlemek için testere tabanı kilitleme kolunu (5) yeniden testereye doğru itin.

Testere tabanını (7) düz kesimlere göre sıfırlamak için:

- ◆ Testere tabanının (7) kilidini açmak için, testere tabanı kilitleme kolunu (5) çekin.

- ◆ Testere tabanını (7) 0° derecelik bir açıya ayarlayın ve testere tabanını geriye ittirin.
- ◆ Testere tabanını (7) kilitlemek için testere tabanı kilitleme kolunu (5) yeniden testereye doğru ittirin.

Pandülün ayarlanması (Şekil H)

- ◆ Pandül ayarını (9) istediğiniz konuma getirin.
- ◆ Konum 0: metal ve alüminyum ile sac metal.
- ◆ Konum I: laminatlar, sert ahşap ve tezgahlar.
- ◆ Konum II: kontrplak ve PVC/Plastik.
- ◆ Konum III: yumuşak ahşap ve hızlı kesim.

Değişken hız kontrolü

- ◆ Değişken hız kontrol düğmesini (1) gerekli hız aralığına getirin.
- ◆ Ahşap için yüksek, alüminyum ve PVC için orta ve alüminyum dışındaki metaller için düşük hızı kullanın.

Açılması ve kapatılması

- ◆ Aleti açmak için, değişken hız ayarlı açma/kapama düğmesine (2) basın.
- ◆ Aleti kapatmak için, değişken hız ayarlı açma/kapama düğmesini (2) bırakın.
- ◆ Sürekli çalışması için kesintisiz çalıştırma düğmesine (3) basın ve açma/kapama (2) düğmesini bırakın.
- ◆ Kesintisiz çalışma konumundayken aleti kapatmak için açma/kapama düğmesine (2) basın ve serbest bırakın.

Kesme

Kesim sırasında aleti iki elinizle sıkıca tutun. Testere tabanı (7), kesilen malzemeye sıkıca dayanmalıdır. Bu, testerenin sıçramasını önleyecek, titreşimi azaltacak ve bıçağın kırılma olasılığını en aza indirecektir.

- ◆ Kesme işlemine başlamadan önce bıçağın bir kaç saniye boşta dönmesine izin verin.
- ◆ Kesme işlemi sırasında alete yalnızca hafif bir baskı uygulayın.

Lazerin çalıştırılması (Şekiller I - L) (sadece KS900EL modelinde)

Pillerin takılması (Şekil I)

Vidayı (16) çıkarıp lazer modülünü (17) öne doğru çekerek, deкупaj testeresinden ayırın. İki adet yeni 1,5 Volt AAA alkali pilini (+) ve (-) terminallerinin doğru eşleştiğinden emin olarak takın. Lazer modülünü yeniden takın (17).

Lazerin testere bıçağı kesim hattına ayarlanması (Şekil J)

Not: Lazer kesime yardımcı olmak amacıyla üretilmiştir ve hassas bir kesimi garanti etmez.

Uyarı! Lazeri, deкупaj testeresi fişi takılıyken ayarlamaya çalışmayın.

- ◆ Lazer çizgisini testere bıçağı ile hizalamak için gerekirse lazer ayarlama vidasını (18) kullanın.

Lazer görünürlüğü (gücü), testerenin aşırı ısınması halinde azalacaktır. Testerenin uzun bir süre boyunca aşırı ısınması halinde lazer görünür olmayabilir. Lazer görünürlüğü, alet soğutulduğunda, fişi takılı olmasa dahi aşamalı olarak normale dönecektir.

Uyarı! Aşırı ısınmış lazeri AÇIK bırakmayın.

Lazer açma/kapama düğmesinin KAPALI konumunda olduğundan emin olun ve lazere güç gidişini kesmek için pilleri çıkarın.

Lazerin kullanılması (Şekiller K-L)

Lazer, kesim hattını (21) iş parçasının yüzeyine yansıtır.

- ◆ Lazeri açmak için, düğmeye (19) basın.
- ◆ Lazeri kapamak için, düğmeye (19) tekrar basın.

Dekupaj testeresinin tam üzerinden bakarak kesim hattı (21) kolayca izlenebilir. Görüşün herhangi bir nedenden ötürü kısıtlanması halinde, lazer alternatif kesim kılavuzu olarak kullanılabilir.

- ◆ Bir kurşun kalemle kesim hattını (20) çizin.
- ◆ Dekupaj testeresini hattın (20) üzerine yerleştirin.
- ◆ Lazeri açın.

Yararlı tavsiyeler

Laminatların kesilmesi

Lamine yüzeyleri keserken, malzemenin laminat kaplı yüzeyinde kırılmalara yol açabilecek parçalanmalar meydana gelebilir. Testere bıçaklarının çoğu yukarıya doğru hareket ederken kestiği için, testere tabanı, malzemenin görünen yüzeyine yerleştirilerek kesim yapıldığı hallerde ya aşağı yönde kesen bir testere bıçağı kullanın ya da:

- ◆ Hassas kesim bıçağı kullanın.
- ◆ Üzerinde çalıştığınız parçanın arka yüzünden kesin.
- ◆ Kıymiksiz, temiz kesimler elde etmek için kesilen malzemenin her iki yüzeyine de bir parça kontrplak veya sert tahta parçaları yerleştirin ve kesim işlemini bu şekilde yapın.

Metal kesme

Metal kesiminin ahşap kesiminden çok daha fazla zaman aldığını unutmayın.

- ◆ Metal kesmeye uygun bir testere bıçağı kullanın.

TÜRKÇE

- ◆ Metal sac plaka keserken üzerinde çalıştığınız parçanın her iki yüzüne bir parça takoz sıkıştırın ve oluşan bloğun içinden kesin.
- ◆ Öngördüğünüz kesim hattı boyunca bir kat yağ sürün.

Bakım

Black & Decker aletiniz minimum bakımla uzun bir süre çalışacak şekilde tasarlanmıştır. Kesintisiz olarak memnuniyet verici bir şekilde çalışması, gerekli özenin gösterilmesine ve düzenli temizliğe bağlıdır.

- ◆ Aletinizdeki havalandırma deliklerini yumuşak bir fırça veya kuru bir bezle düzenli olarak temizleyin.
- ◆ Motor muhafazasını nemli bir bezle düzenli olarak temizleyin. Aşındırıcı veya çözücü bazı temizlik maddeleri kullanmayın. Aletin içine sıvı kaçmasına kesinlikle izin vermeyin ve aletin hiçbir parçasını kesinlikle sıvıya batırmayın.

Çevrenin korunması



Ayrı olarak atın. Bu ürün, normal evsel atıklarla birlikte atılmamalıdır.

Black & Decker ürününüzün değiştirilmesi gerektiğini düşünmeniz veya artık kullanılamaz durumda olması halinde onu, evsel atıklarla birlikte atmayın. Bu ürünü, ayrı olarak toplanacak şekilde atın.



Kullanılmış ürünlerin ve ambalajların ayrı olarak toplanması bu maddelerin geri dönüşüme sokularak yeniden kullanılmasına olanak tanır. Geri dönüşümlü maddelerin tekrar kullanılması çevre kirliliğinin önlenmesine yardımcı olur ve ham madde ihtiyacını azaltır.

Yerel yönetmelikler, elektrikli ürünlerin evlerden toplanıp belediye atık tesislerine aktarılması veya yeni bir ürün satın alırken perakende satıcı tarafından toplanması yönünde hükümler içerebilir.

Black & Decker, hizmet ömrünün sonuna ulaşan Black & Decker ürünlerinin toplanması ve geri dönüşüme sokulması için bir imkan sunmaktadır. Bu hizmetin avantajlarından faydalanmak için, lütfen, ürününüzü bizim adımıza teslim alacak herhangi bir yetkili onarım acentesine iade edin.

Bu kılavuzda belirtilen listeden size en yakın yetkili tamir servisinin yerini öğrenebilirsiniz. Ya da, alternatif olarak internet'ten Black & Decker

yetkili tamir servislerinin listesini ve satış sonrası hizmetlerimizle ilgili tüm bilgiler ve temas bilgilerine aşağıdaki siteden ulaşabilirsiniz:

www.2helpU.com

Piller



Hizmet ömürlerinin sonunda, aküleri çevremize gerekli özeni göstererek atın:

- ◆ Akü terminallerini kısa devre yapmayın.
- ◆ Akü (aküleri) ateşe atmayın, kişisel yaralanma ya da patlama riskine neden olabilir.
- ◆ Aküyü bitene kadar aleti çalıştırın, sonra aletten çıkartın.
- ◆ Aküler geri dönüşümlüdür. Akü (aküleri) kutuların kısa devre yapmayacağı şekilde uygun bir ambalaja koyun. Aküleri yerel toplama merkezine teslim edin.

Teknik veriler

	KS900E TYPE 1	KS900EL TYPE 1
Voltaj	V _{AC} 230	
Giriş gücü	W 600	
Yüksüz hızı	dev/dak 800-3000	
Maks. kesme derinliği		
Ahşap	mm 85	
Çelik	mm 5	
Alüminyum	mm 15	
Ağırlık	kg 2,36	
(Lazer modülü ile)	kg 2,66	

EN 60745'e göre ses basıncı düzeyi:

L_{pA} (ses basıncı) 87 dB(A), belirsizlik (K) 3 dB(A),
 L_{WA} (akustik güç) 98 dB(A), belirsizlik (K) 3 dB(A)

EN 60745'e uygun olarak titreşim toplam değerleri (triaks vektör toplamı):

Ahşap kesimi ($a_{h,CW}$) 10,5 m/s², belirsizlik (K) 1,5 m/s²,
Metal kesimi ($a_{h,CM}$) 14,5 m/s², belirsizlik (K) 1,5 m/s²

AT uygunluk beyanati

MAKİNE DİREKTİFİ



KS900E, KS900EL

Black & Decker, bu ürünlerin aşağıda belirtilen yönergelerle uygun olduğunu beyan eder:
2006/42/EC, EN60745-1, EN60745-2-11

Daha fazla bilgi için, lütfen aşağıdaki adresten Black & Decker ile irtibata geçin veya kılavuzun arkasına bakın.

Aşağıda imzası bulunan, teknik dosyanın derlenmesinden ve Black & Decker adına bu bildirim yapmaktan sorumludur.



Kevin Hewitt
Başkan Yardımcısı,
Global Mühendislik
Black & Decker Europe,
210 Bath Road, Slough,
Berkshire, SL1 3YD İngiltere
10-02-2010

Garanti

Black & Decker, ürünün kalitesinden emindir ve bu yüzden kanunlarda belirtilen taleplerin üstünde bir garanti verir. Ayrıca bu garanti hiçbir şekilde garanti ile ilgili kanuni haklarınızı ihlal etmez ve haklarınızı hiç bir şekilde kısıtlamaz. İşbu garanti Avrupa Birliği'ne üye ülkeler ile Avrupa Serbest Ticaret Bölgesi sınırları dahilinde geçerlidir.

Eğer bir Black & Decker ürünü, satın alma tarihinden itibaren 24 ay içinde hatalı malzeme ve işçilik nedeniyle bozulursa, müşteriye mümkün olabilecek en az sorunu yaşatarak Black & Decker hatalı kısımları değiştirmeyi, adil bir şekilde aşınmış ve yıpranmış ürünleri tamir etmeyi veya değiştirmeyi garanti eder. Ancak bu belirtilenler şu durumlar dışında geçerlidir:

- ◆ Ürün ticari veya profesyonel amaçlarla kullanılmışsa veya kiraya verilmişse;
- ◆ Ürün yanlış veya amaç dışı kullanılmışsa;
- ◆ Ürün yabancı nesnelere, maddelere veya kaza sırasında zarar görmüşse;
- ◆ Yetkili tamir servisleri veya Black & Decker servis ekibinden başkası tarafından tamir edilmeye çalışılmışsa.

Garanti talebinde bulunmak için, satıcıya veya yetkili tamir servisine satın aldığınıza dair ispat sunmalısınız. Fatura ve garanti kartı gerekmektedir. Bu kullanım kılavuzunda belirtilen listeden size en yakın yetkili servis adresini öğrenebilirsiniz. Ya da, alternatif olarak internet'ten Black & Decker yetkili tamir servislerinin listesini ve satış sonrası hizmetlerimizle ilgili tüm bilgiler ve temas bilgilerine aşağıdaki siteden ulaşabilirsiniz.

www.2helpU.com

Sanayi ve Ticaret Bakanlığı tebliğince kullanım ömrü 10 yıldır.

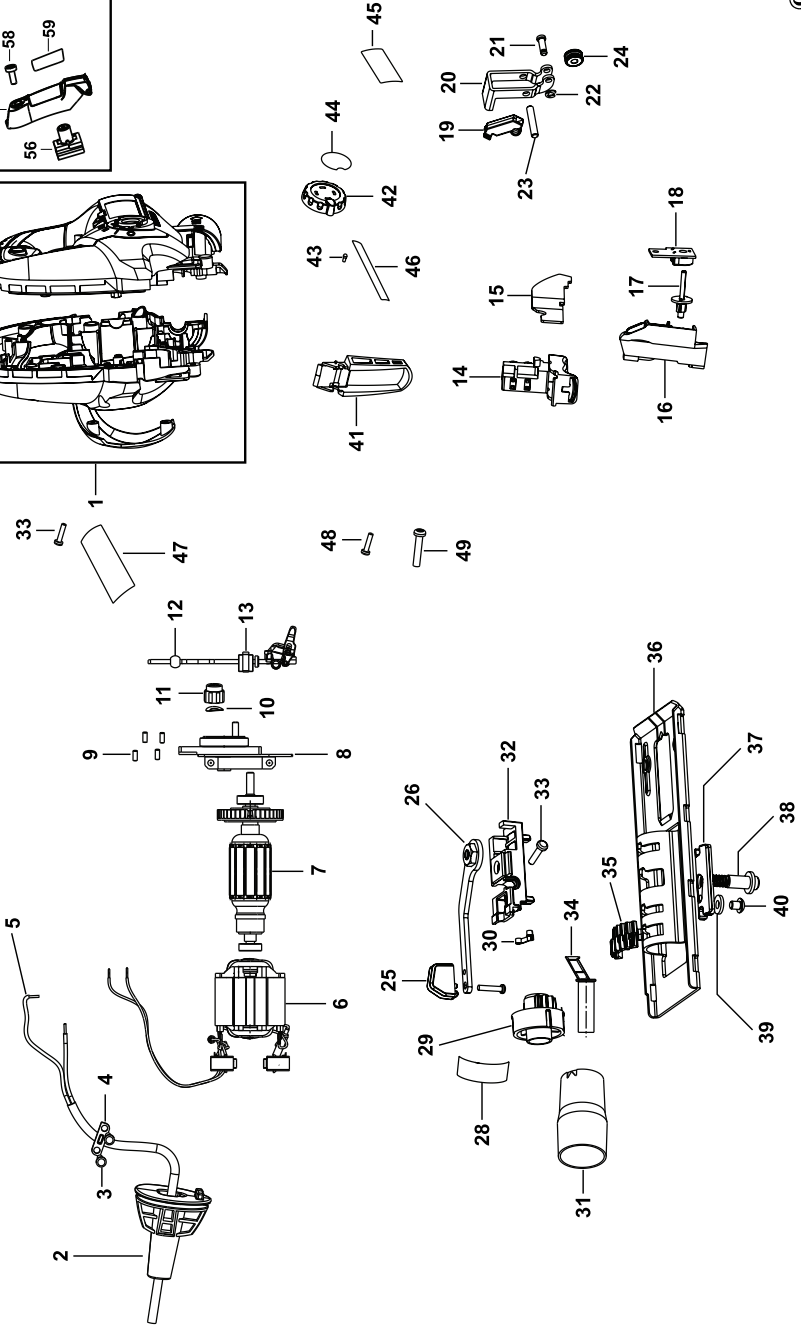
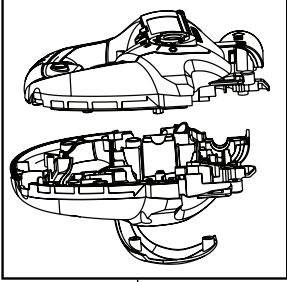
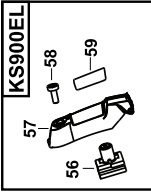
Türkiye Distribütörü

KALE HIRDAVAT VE MAKİNA A.Ş.
Defterdar Mah. Savaklar Cad. No. 15
34050 Edirnekapı Eyüp İstanbul

No.	İl	Yetkili Servis	Adres	Telefon
1	Adana	Emin Elektrik	Kızılay Cad. 6.Sok. No.9/D	0322 351 80 46
2	Amasya	Teknik Bobinaj	Beyazıt Paşa Mah. Mehmet Vorinli Cad. No.20/B	0358 218 26 82
3	Ankara	Orhan Bobinaj	Yalınc Sok. No.17 Siteler	0312 350 95 29
4	Ankara	Yiğit Bobinaj	Merkez 668.Sok. Eminel Yapı Koop. No.8 İvedik Ostim	0312 395 05 37
5	Antalya	E.B.A. Elektrik	Sanayi Sitesi 682.Sok. No.38	0242 345 36 22
6	Antalya - Alanya	Abaloğlu Bobinaj	Sanayi Sitesi Yeni Yol Girişi No.8	0242 512 02 16
7	Aydın	Tacıroğlu Bobinaj	2.Sanayi Sitesi 3.Sok. No.55	0256 219 43 30
8	Aydın - Kuşadası	Özgür Bobinaj	Kuşadası Sanayi Sitesi J.Blok No.13	0256 622 13 73
9	Balıkesir	Tezger Bobinaj	Küçük Sanayi Bölgesi Dökmeciler Sok. No.15	0266 241 63 85
10	Balıkesir - Bandırma	Küre Bobinaj	Atatürk Cad. No.104 Bandırma	0266 718 46 79
11	Balıkesir - Edremit	Özkan Bobinaj	Cennet Ayağı Mah. Demirbaş Sitesi A4-B1. No.2/B	0266 734 20 29
12	Bursa	Vokart	Gazlılar Cad. Erikli Bahçe Sok. No.6/B	0224 254 48 75
13	Çanakkale	Kısacık Bobinaj	Namık Kemal Mah. Kaynak Sok. No.41	0286 217 96 71
14	Çorum	Emek Bobinaj	Küçük Sanayi Sitesi 23.Cad. No.5/C Cami yanı	0364 234 68 84
15	Denizli	Örsler Bobinaj	Bakırlı Mah. 171.Sok. Sedef Çarşısı No.9-10	0258 261 42 74
16	Diyarbakır	Çetsan Elektrik	İnönü Cad. Ziya Gökalp Sok. No.45	0412 237 29 04
17	Düzce	Yıldız Makine	Burhaniye Mah. Gen. Kazım Sok. No.10	0380 514 70 56
18	Edirne	Efe Bobinaj	Sanayi Sitesi 22.Blok No.5	0284 225 35 73
19	Erzincan	Ümit Elektrik Makine	Sanayi Çarşısı 767.Sok. No.71	0446 224 08 01
20	Eskişehir	Meriç Bobinaj	Akçağlan Mah. Meriç Sok. No.4/A	0222 230 94 44
21	Gaziantep	Karasaşin Bobinaj	Şenyurt Cad. No.35 Şahinbey	0342 231 17 33
22	Isparta	İşık Bobinaj	Piri Mehmet Mah. 107.Cad. No.5	0246 223 20 28
23	İçel - Mersin	Şekerler Elektrik Bobinaj	Nusratiye Mah. 5005.Sok. No.20/A	0324 336 70 98
24	İçel - Mersin	Üniversal Bobinaj	Nusratiye Mah. Çiftçiler Cad. 68.Sok. No.19	0324 233 44 29
25	İstanbul	AKEL Elektrik Servis Hiz.	Yukarı Dudullu Nato Yolu Cad. No.109B Ümraniye	0216 540 53 54
26	İstanbul	Fırat Dış Ticaret	Tersane Cad. Kut Han No.38 K.3 D.307-308 Karaköy	0212 252 93 43
27	İstanbul	Birlik Elektromekanik	Perpa Tic. Merkezi B.Blok Mavi Avlu Kat.4 No.318 Okmeydanı	0212 222 94 18
28	İstanbul	Kardeşler Bobinaj	Çağlayan Mah. Sinanpaşa Cad. No.5 Çağlayan	0212 224 97 54
29	İstanbul	Mert Elektrik Ltd.	İkitelli Org. Sanayi Demirciler Sitesi D2.Blok No.280 İkitelli	0212 549 65 78
30	İstanbul	SVS Teknik	İstasyon Cad. GİBTAŞ Sanayi Sitesi No.24 Kat 2 İçmeler Tuzla	0216 446 69 39
31	İstanbul	Tarık Makina Ltd.	Bağdat Cad. Adalı Sok. No.101/10 Maltepe	0216 370 21 11
32	İstanbul	Tekniker Bobinaj	Birlik Sanayi Sitesi 7.Cad. No.2 Beylikdüzü	0212 875 19 31
33	İzmir	Birlik Bobinaj	2824 Sok. No.18 Halkapınar 1.Sanayi Sitesi	0232 458 39 42
34	İzmir	Boro Cıvata	1203/2.Sok. No.B2 Gıda Çarşısı Yenişehir	0232 469 80 70
35	İzmir	Doruk Hırdavat	1426.Sok. No.14 Hurdacılar Sitesi Doğanlar Bornova	0232 478 14 12
36	Kayseri	Akın Elektrik	Eski Sanayi Bölgesi 5.Cad. No.8	0352 336 41 23
37	Kocaeli - Gebze	Gülsoy Elektrik	Menzilhane Cad. 1111.Sok. No.7	0262 646 92 49
38	Kocaeli - İzmit	Efe Elektrik Bobinaj	Körfez Küçük Sanayi Sitesi 12.Blok No.13	0262 335 18 94
39	Konya	Murat Bobinaj	Karatay Sanayi Çiçekli Sok. No.83	0332 235 64 63
40	Konya	Sözenler Bobinaj	Fevzi Çakmak Mah. Komsan İş Mer. 10562 Sok. No.62	0332 342 63 18
41	Kütahya	Doğan Bobinaj	Yeni Sanayi Sitesi 19.Sok. No.28/1	0274 231 22 00
42	Malatya	Özer Bobinaj	Yeni Sanayi Sitesi 2.Cad. No.95	0422 336 39 53
43	Muğla - Bodrum	Bodrum Makine	Türkuyusu Mah. Etem Demiröz Sok. Sanayi Sitesi 12	0252 316 28 51
44	Muğla - Marmaris	Başaran Teknik	Beldibi Cad. No.5/C	0252 412 85 11
45	Neşehir	Çiftgüç Elektrik	Yeni Sanayi Sitesi 8.Blok No.53	0384 213 19 96
46	Sakarya - Adapazarı	Engin El. Bobinaj	Papuççular Mah. Papuççular Cad. No.40	0264 273 87 69
47	Samsun	Akış Bobinaj	Sanayi Sitesi Ulus Cad. No.31B	0362 238 07 23
48	Sivas	Bayraktar Elektrik	Yeni Çarşı No.72C	0346 221 47 55
49	Tekirdağ - Çorlu	Ümit Elektrik	Camiatik Mah. Ereğli Sok. No.1	0282 653 27 77
50	Tokat	Çetin Elektrik	Sanayi Sitesi No.22 Cami Altı	0356 214 63 07
51	Trabzon	Makina Market	Rize Cad. No.71 Değirmendere	0462 328 14 80
52	Uşak	Zengin Bobinaj	İslice Mah. Ürem Sok. No.10/C	0276 227 27 46
53	Yalova	Kale İnşaat	Merkez Mah. Devlet Yolu Cad. No.70 Paytazdere Yalova	0226 461 22 42
54	Zonguldak - KDZ Ereğli	Tümen Bobinaj	Kışla Sanayi Sitesi D.Blok No.17	0372 323 74 97

KS900E - KS900EL

TYP.
1



©

