

# Milwaukee®

Nothing but **HEAVY DUTY**®



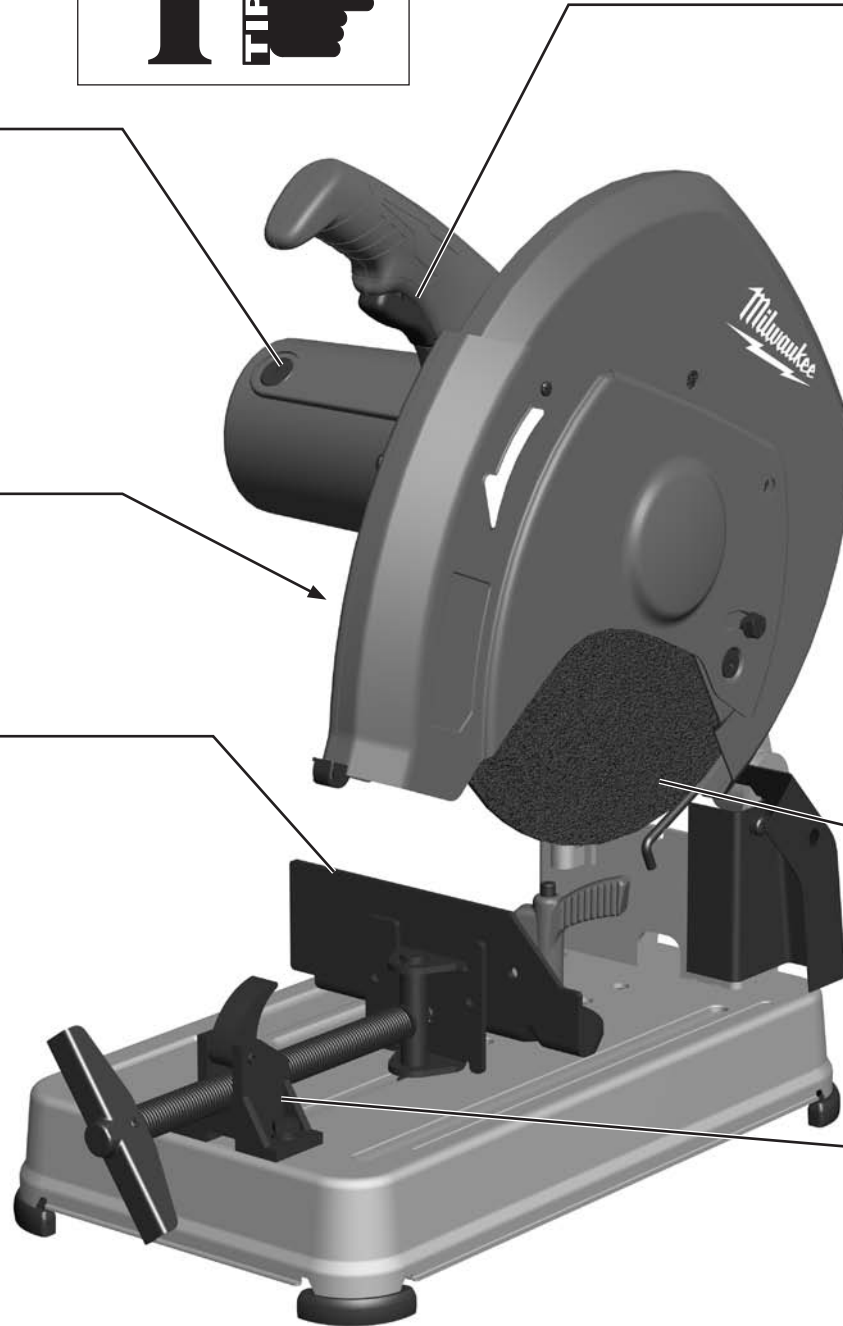
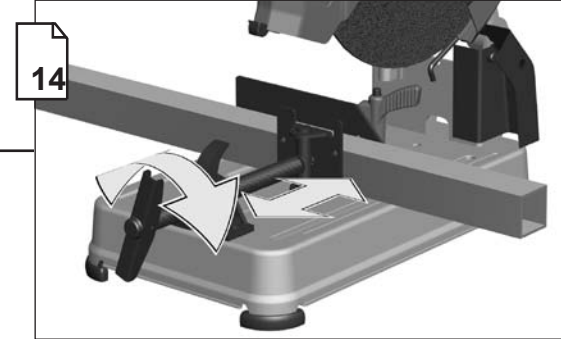
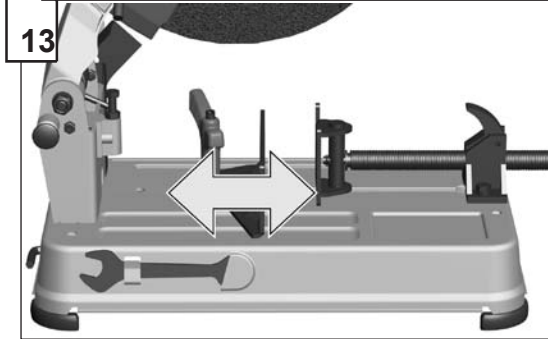
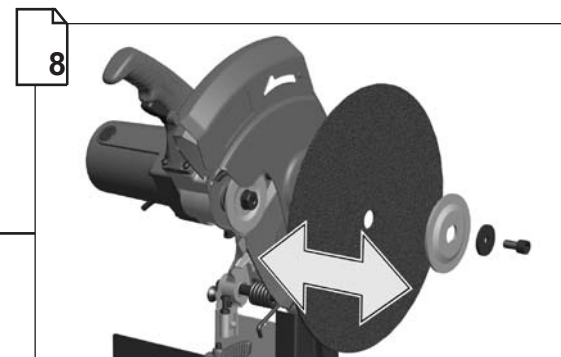
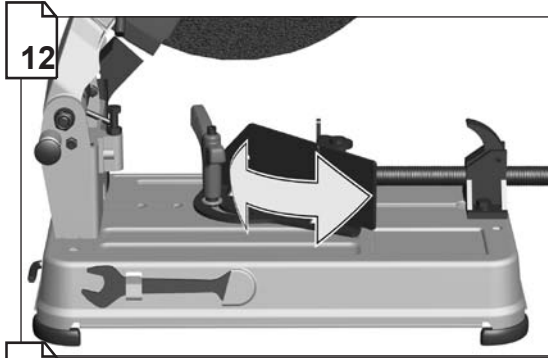
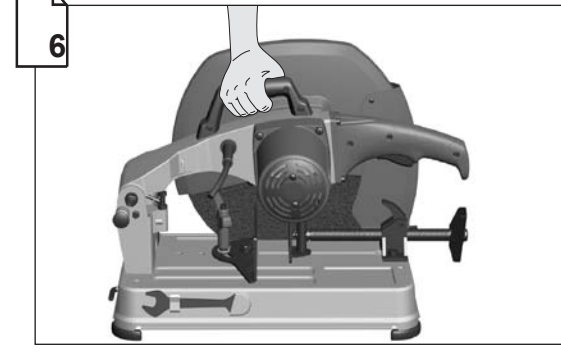
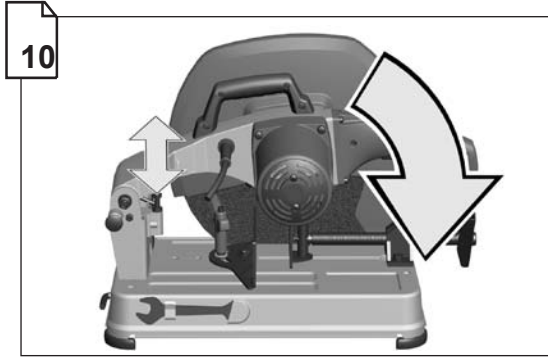
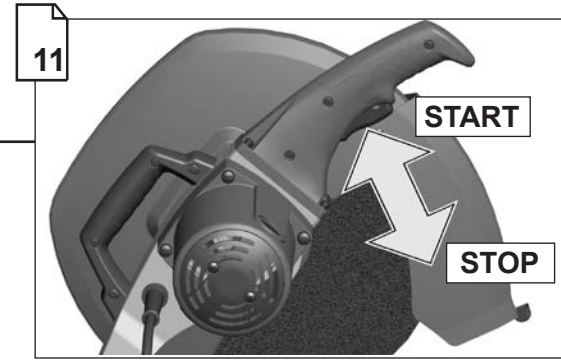
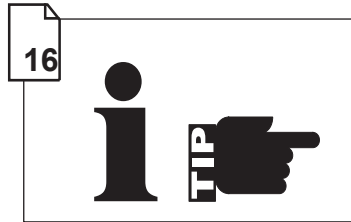
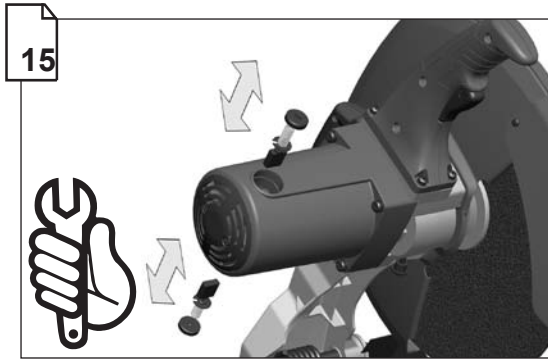
## CHS 355

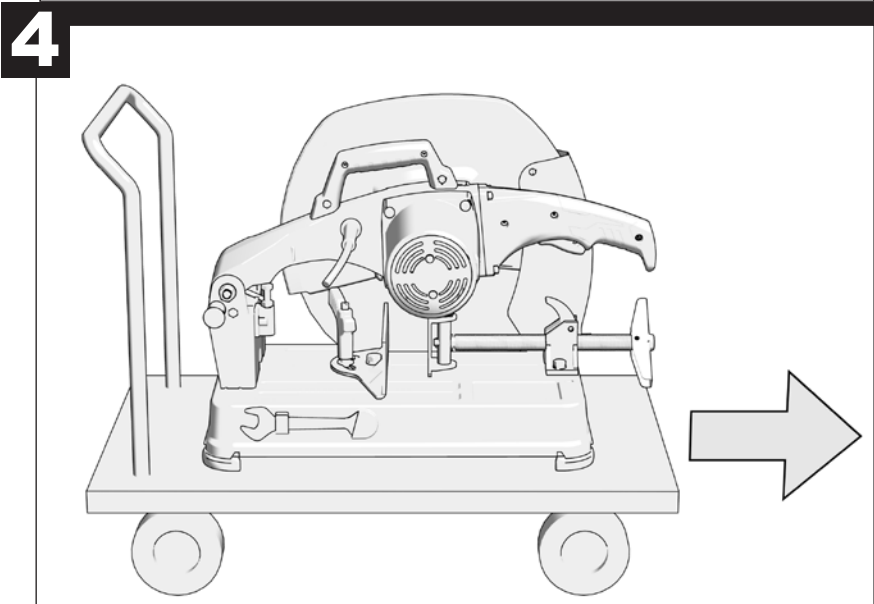
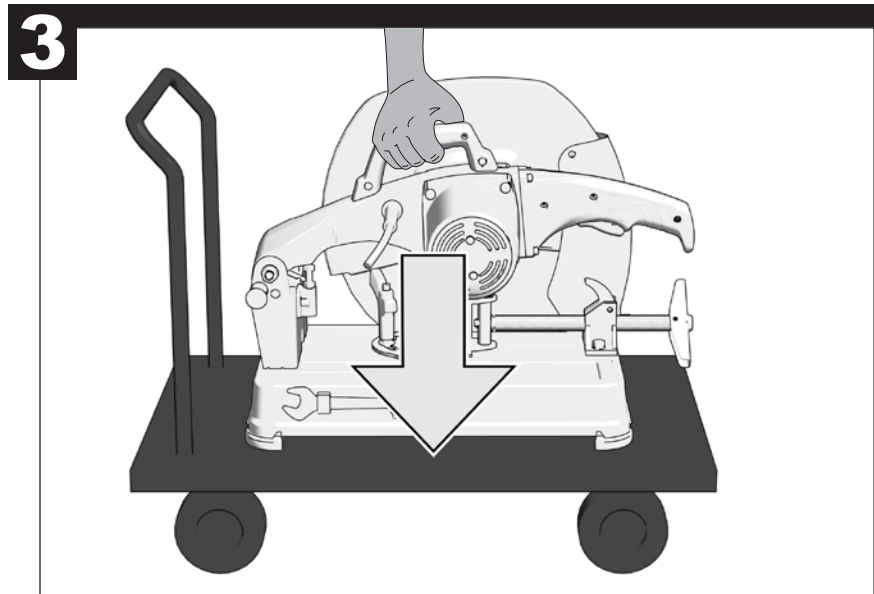
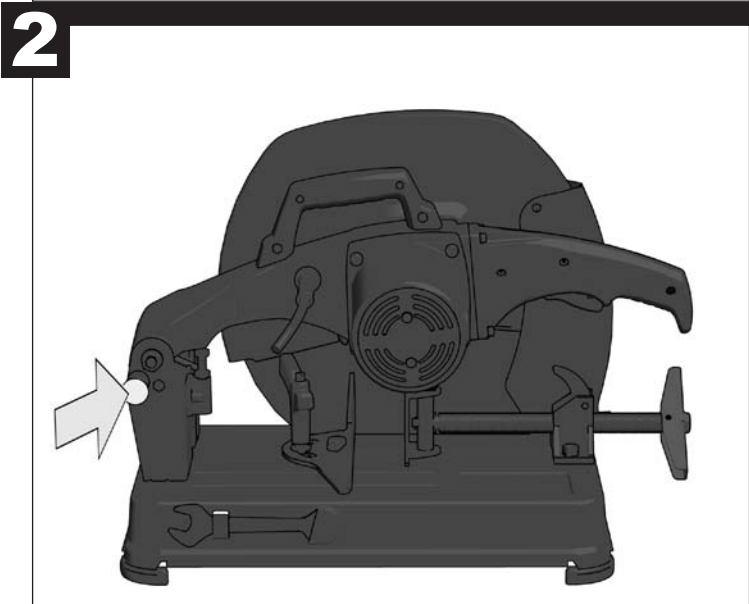
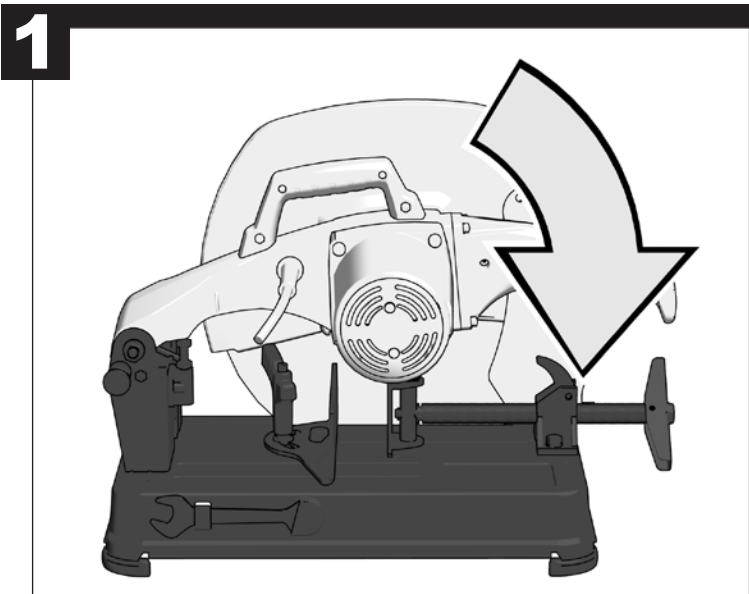
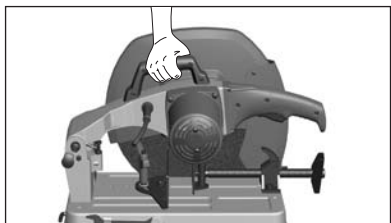
Original instructions  
Originalbetriebsanleitung  
Notice originale  
Istruzioni originali  
Manual original  
Oorspronkelijke  
gebruiksaanwijzing  
Original brugsanvisning  
Original bruksanvisning  
Bruksanvisning i original  
Alkuperäiset ohjeet

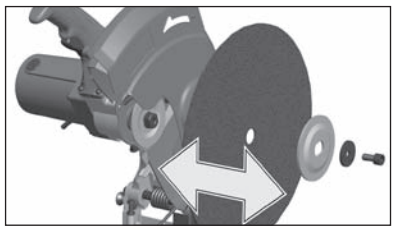
Πρωτότυπο οδηγιών χρήσης  
Orijinal işletme talimatı  
Původním návodem k  
používání  
Původný návod na použitie  
Instrukcją oryginalną  
Eredeti használati utasítás  
Izvirna navodila  
Originalne pogonske upute  
Instrukcijām oriģinālvalodā  
Originalni instrukcija

Algupärane kasutusjuhend  
Оригинальное руководство  
по эксплуатации  
Оригинално ръководство за  
експлоатация  
Instrucțiuni de folosire  
originale  
Оригинален прирачник за  
работа  
原始的指南

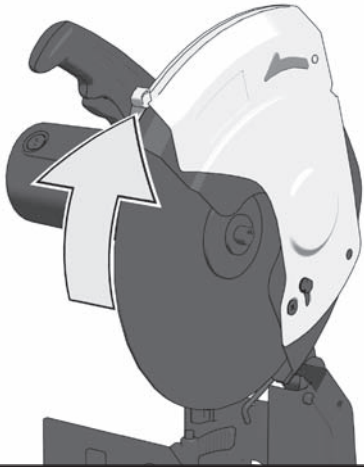
Technical Data, Safety Instructions, Specified Conditions of Use, EC-Declaration of Conformity, Mains connection, Maintenance, Symbols	Please read and save these instructions!	<b>ENGLISH</b>	<b>20</b>
Technische Daten, Sicherheitshinweise, Bestimmungsgemäße Verwendung, CE-Konformitätserklärung, Netzanschluss, Wartung, Symbole	Bitte lesen und aufbewahren!	<b>DEUTSCH</b>	<b>22</b>
Caractéristiques techniques, Instructions de sécurité, Utilisation conforme aux prescriptions, Déclaration CE de Conformité, Branchement secteur, Entretien, Symboles	Prière de lire et de conserver!	<b>FRANÇAIS</b>	<b>24</b>
Dati tecnici, Norme di sicurezza, Utilizzo conforme, Dichiarazione di Conformità CE, Collegamento alla rete, Manutenzione, Simboli	Si prega di leggere le istruzioni e di conservarle!	<b>ITALIANO</b>	<b>26</b>
Datos técnicos, Instrucciones de seguridad, Aplicación de acuerdo a la finalidad, Declaración de Conformidad CE, Conexión eléctrica, Mantenimiento, Símbolos	Lea y conserve estas instrucciones por favor!	<b>ESPAÑOL</b>	<b>28</b>
Características técnicas, Instruções de segurança, Utilização autorizada, Declaração de Conformidade CE, Ligação à rede, Manutenção, Símbolos	Por favor leia e conserve em seu poder!	<b>PORTUGUES</b>	<b>30</b>
Technische gegevens, Veiligheidsadviezen, Voorgeschreven gebruik van het systeem, EC-Konformiteitsverklaring, Netaansluiting, Onderhoud, Symbolen	Lees en let goed op deze adviezen!	<b>NEDERLANDS</b>	<b>32</b>
Tekniske data, Sikkerhedshenvisninger, Tiltænkt formål, CE-Konformitetserklæring, Nættilslutning, Vedligeholdelse, Symboler	Vær venlig at læse og opbevare!	<b>DANSK</b>	<b>34</b>
Tekniske data, Spesielle sikkerhetshenvisninger, Formålmessig bruk, CE-Samsvarserklæring, Nettleikopling, Vedlikehold, Symboler	Vennligst les og oppbevar!	<b>NORSK</b>	<b>36</b>
Tekniska data, Säkerhetsutrustning, Använd maskinen Enligt anvisningarna, CE-Försäkran, Nätanslutning, Skötsel, Symboler	Var god läs och tag tillvara dessa instruktioner!	<b>SVENSKA</b>	<b>38</b>
Tekniset arvot, Turvallisuusohjeet, Tarkoituksenmukainen käyttö, Todistus CE-standardin mukaisuudesta, Verkkoliitäntä, Huolto, Symbolit	Lue ja säilytä!	<b>SUOMI</b>	<b>40</b>
Τεχνικά στοιχεία, Ειδικές υποδείξεις ασφαλείας, Χρήση σύμφωνα με το σκοπο προορισμού, Δήλωση πιστοποίησης εκ, Συνδεση στο ηλεκτρικο δικτυο, Συντηρηση, Συμβολα	Παρακαλώ διαβάστε τις και φυλάξτε τις!	<b>ΕΛΛΗΝΙΚΑ</b>	<b>42</b>
Teknik veriler, Güvenliğinizi için talimatlar, Kullanım, CE uygunluk beyanince, Şebeke bağlantısı, Bakım, Semboller	Lütfen okuyun ve saklayın	<b>TÜRKÇE</b>	<b>44</b>
Technická data, Speciální bezpečnostní upozornění, Oblast využití, Ce-prohlášení o shodě, Připojení na síť, Údržba, Symboly	Po přečtení uschovejte	<b>ČESKY</b>	<b>46</b>
Technické údaje, Špeciálne bezpečnostné pokyny, Použitie podľa predpisov, CE-Vyhlasenie konformity, Sieťová pripojka, Údržba, Symboly	Prosím prečítať a uschovať!	<b>SLOVENSKY</b>	<b>48</b>
Dane techniczne, Specjalne zalecenia dotyczace bezpieczerstwa, Uzytkowanie zgodne z przeznaczeniem, Swiadcetwo zgodnosci ce, Podlaczenie do sieci, Gwarancja, Symboly	Prosimy o uwazne przeczytanie i przestrzeganie zalececi zamie szczonych w tej instrukcji.	<b>POLSKI</b>	<b>50</b>
Műszaki adatok, Különleges biztonsági tudnivalók, Rendeltetés szerű használat, Ce-azonossági nyilatkozat, Hálózati csatlakoztatás, Karbantartás, Szimbólumok	Olvassa el és őrizze meg	<b>MAGYAR</b>	<b>52</b>
Tehnični podatki, Specialni varnostni napotki, Uporaba v skladu z namembnostjo, Ce-izjava o konformnosti, Omrežni priključek, Vzdrževanje, Simboli	Prosimu preberite in shranite!	<b>SLOVENSKO</b>	<b>54</b>
Tehnički podaci, Specijalne sigurnosne upute, Propisna upotreba, CE-Izjava konformnosti, Priključak na mrežu, Održavanje, Simboli	Molimo pročitati i sačuvati	<b>HRVATSKI</b>	<b>56</b>
Tehniskie dati, Speciālie drošības noteikumi, Noteikumiem atbilstošs izmantojums, Atbilstība CE normām, Tīkla pieslēgums, Apkope, Simboli	Pielikums lietošanas pamācībai	<b>LATVISKI</b>	<b>58</b>
Techniniai duomenys, Ypatingos saugumo nuorodos, Naudojimas pagal paskirtį, CE Atitikties pareiškimas, Elektros tinklo jungtis, Techninis aptarnavimas, Simboliai	Prašome perskaityti ir neišmesti!	<b>LIETUVIŠKAI</b>	<b>60</b>
Tehnilised andmed, Spetsiaalsed turvajuhised, Kasutamine vastavalt otstarbele, EU Vastavusavaldus, Võrku ühendamine, Hooldus, Sümbolid	Palun lugege läbi ja hoidke alal!	<b>EESTI</b>	<b>62</b>
Технические данные, Рекомендации по технике безопасности, Используйте - вание, Подключение к электросети, Обслуживание, Символы	Пожалуйста, прочтите и сохраните настоящую! инструкцию	<b>РУССКИЙ</b>	<b>64</b>
Технически данни, Специални указания за безопасност, Използване по предназначение, CE-Декларация за съответствие, Свързване към мрежата, Поддръжка, Символи	Моля прочетете и запазете!	<b>БЪЛГАРСКИ</b>	<b>66</b>
Date tehnice, Instrucțiuni de securitate, Condiții de utilizare specificate, Declarație de conformitate, Alimentare de la rețea, Intreținere, Simboluri	Va rugăm citiți și păstrați aceste instrucțiuni	<b>ROMÂNIA</b>	<b>68</b>
Технички Податоци, Упатство За Употреба, Специфицирани Услови На Употреба, Еу-декларација За Сообразност, Главни Врски, Одржување, Символи	Ве молиме прочитајте го и чувајте го ова упатство!	<b>МАКЕДОНСКИ</b>	<b>70</b>
技术数据, 特殊安全指示, 正确地使用机器, 欧洲安全规定说明, 电源插头, 维修, 符号	请详细阅读并妥善保存!	<b>中文</b>	<b>72</b>



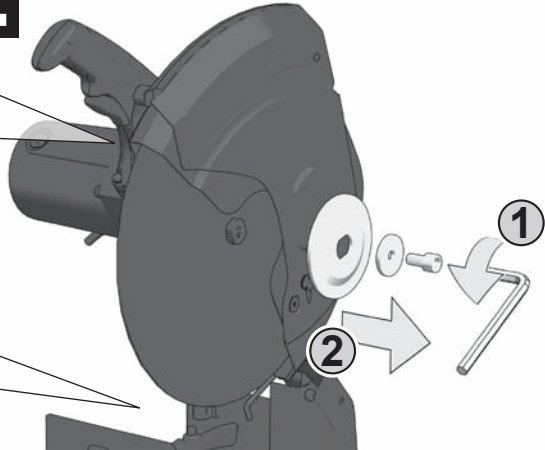
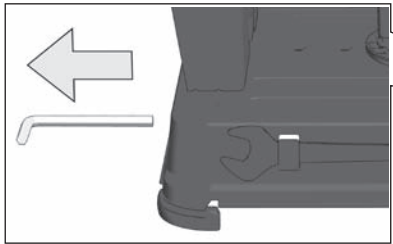




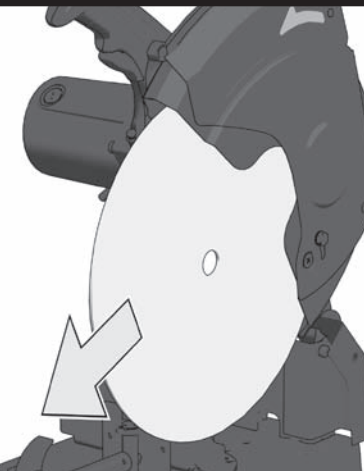
**1**



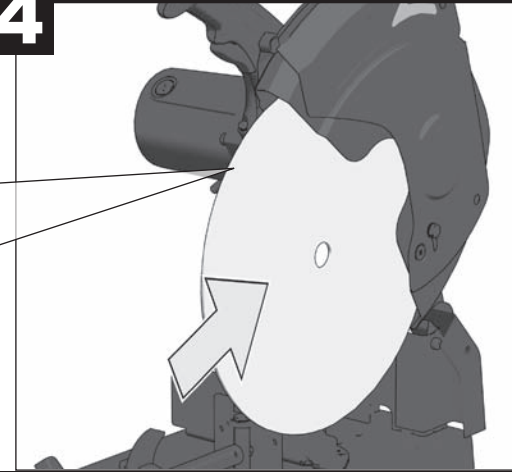
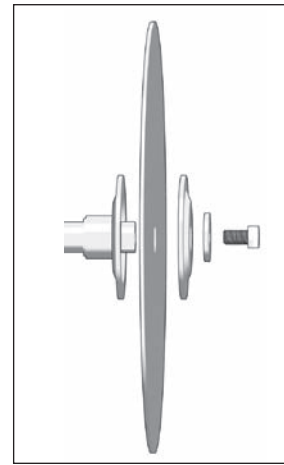
**2**



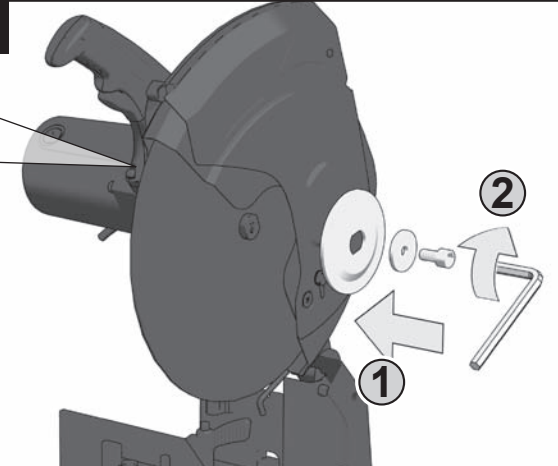
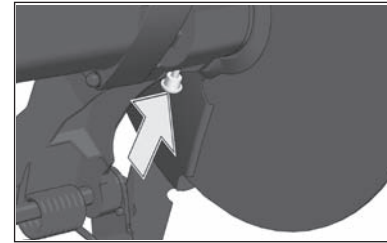
**3**



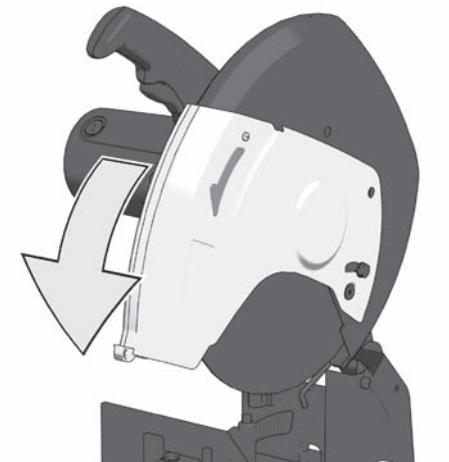
**4**



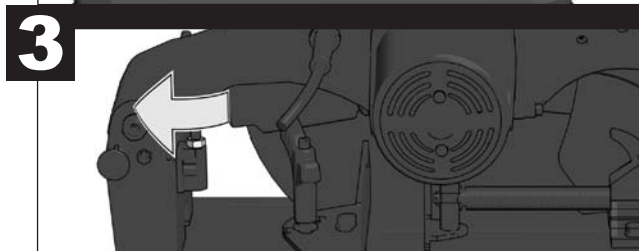
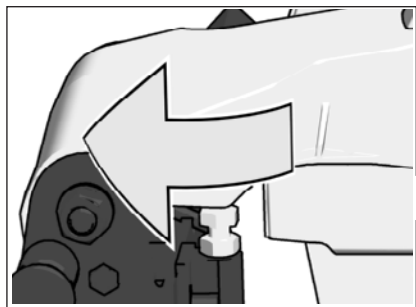
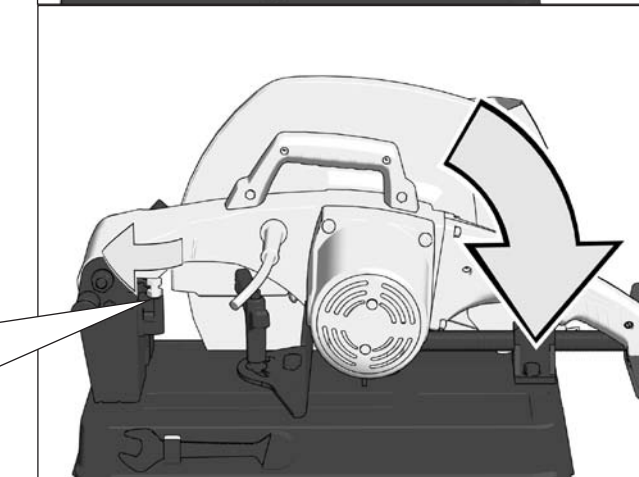
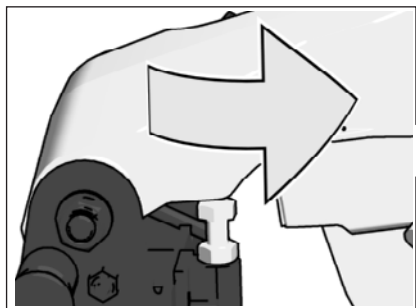
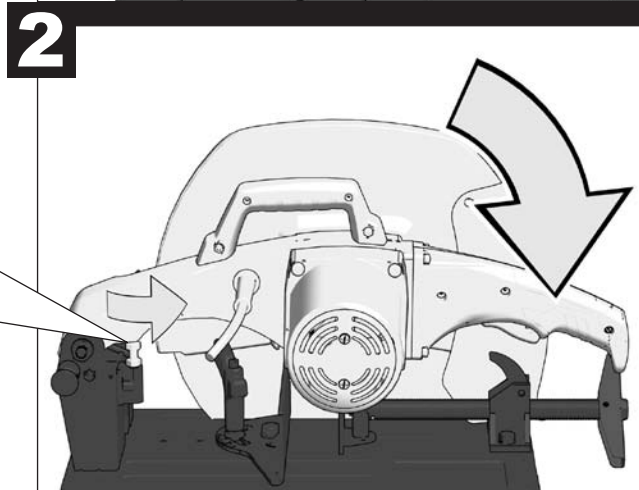
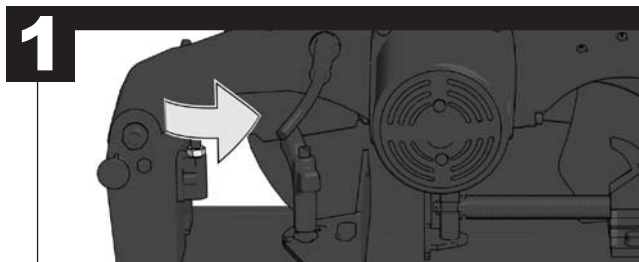
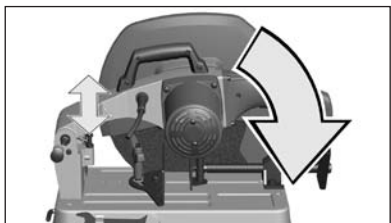
**5**



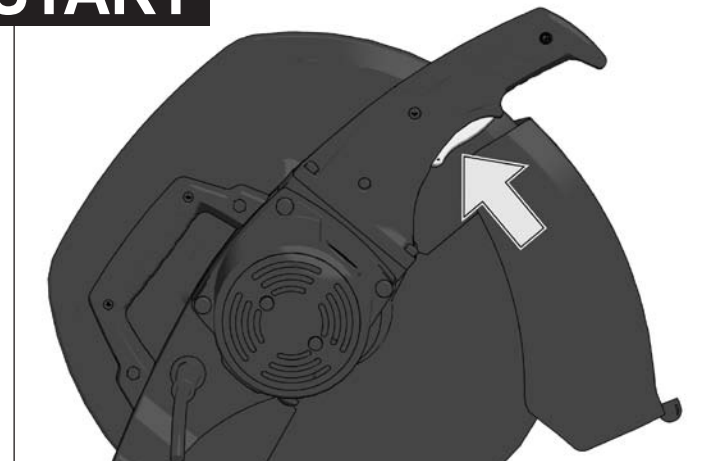
**6**



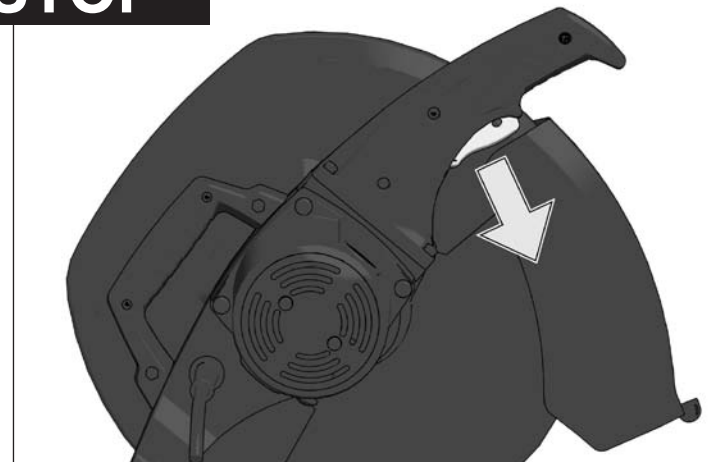


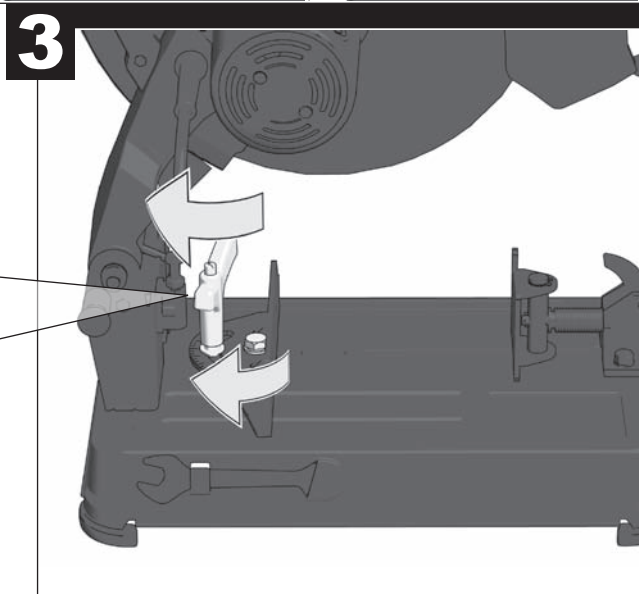
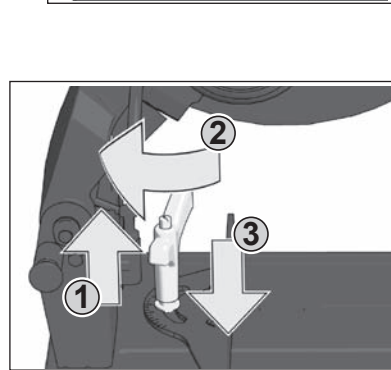
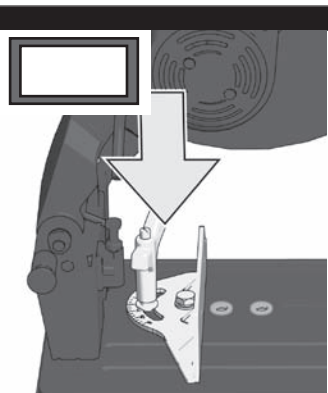
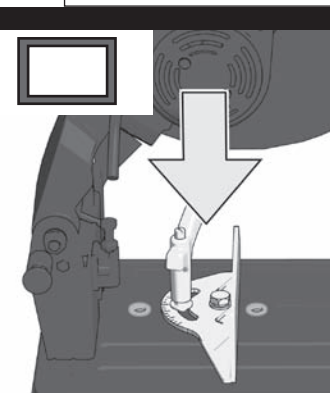
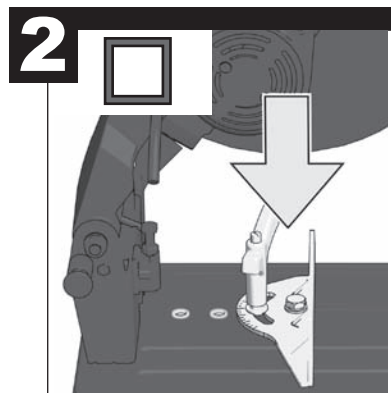
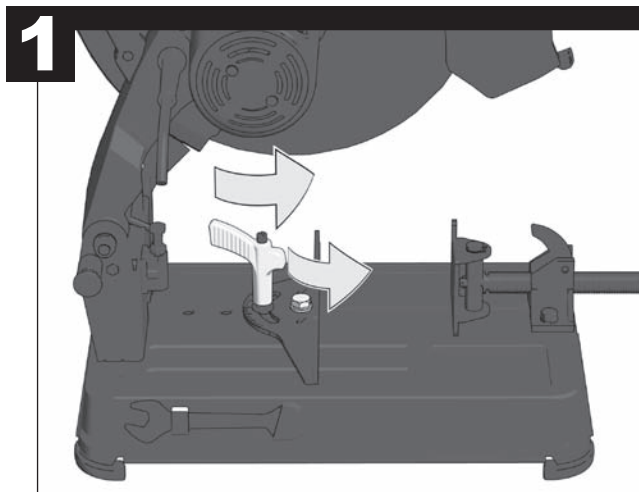
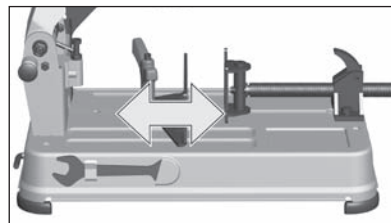
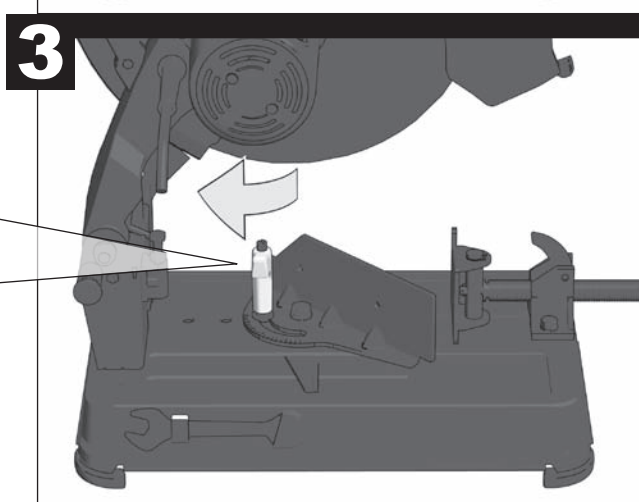
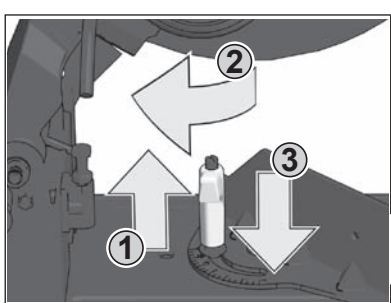
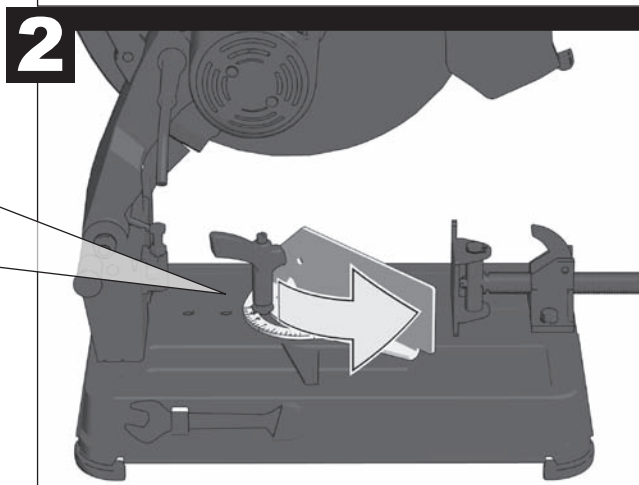
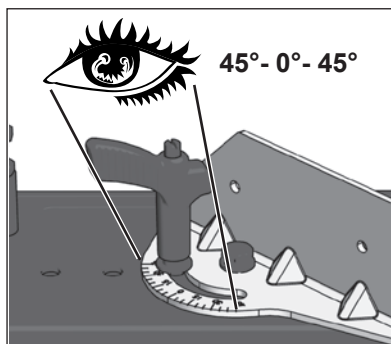
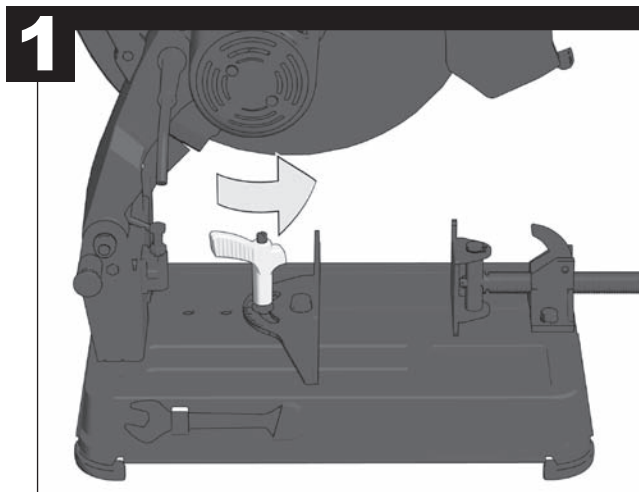
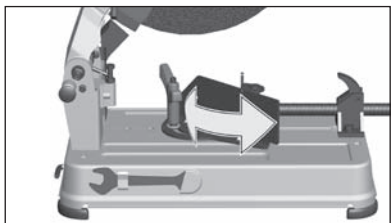


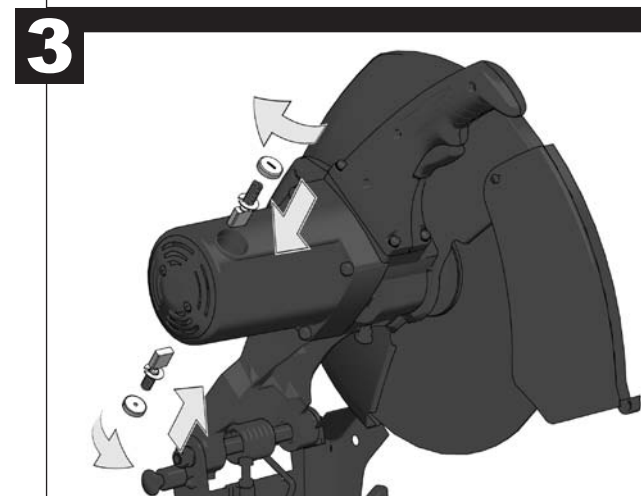
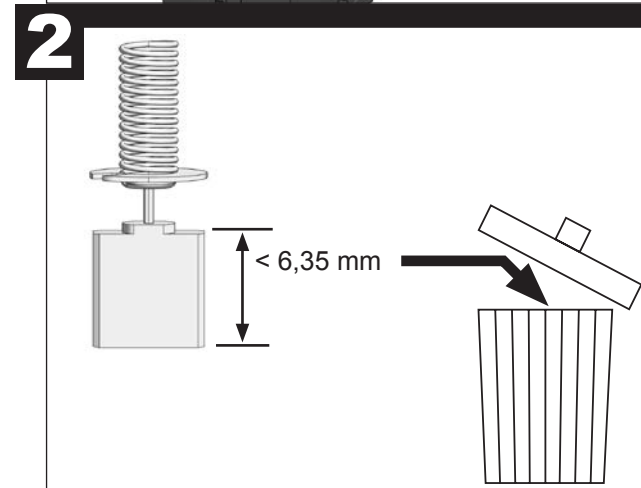
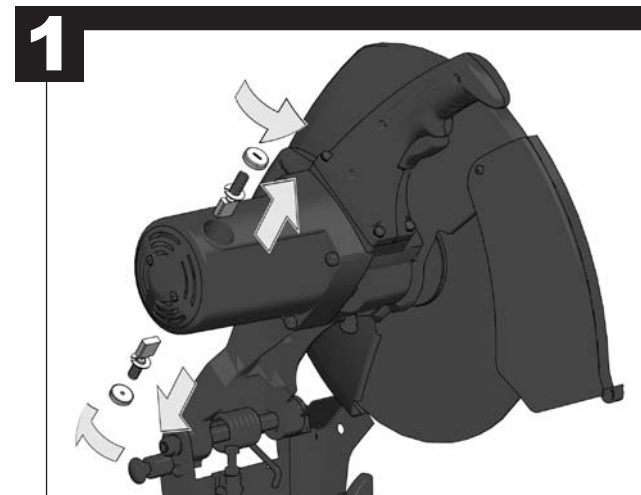
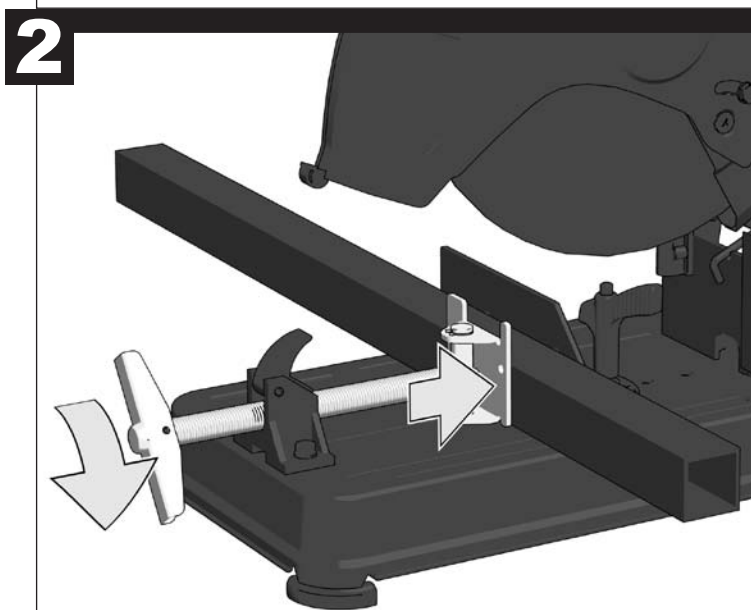
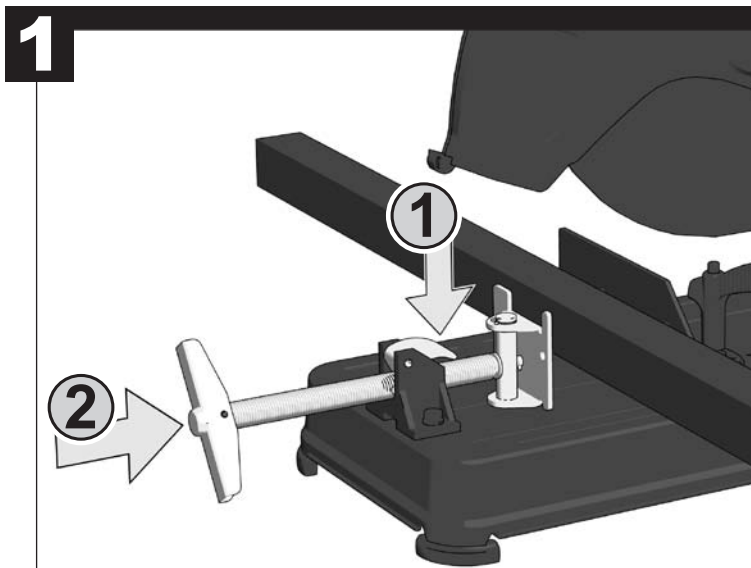
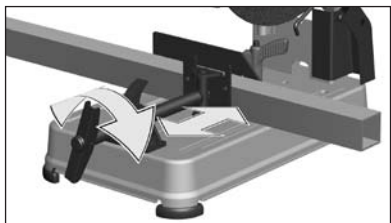
**START**



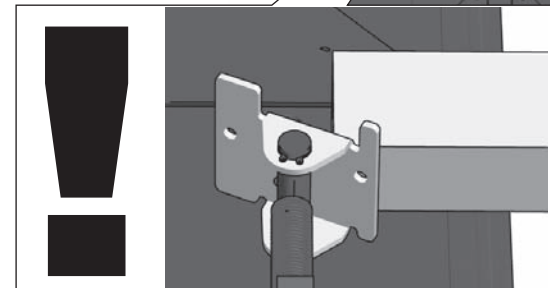
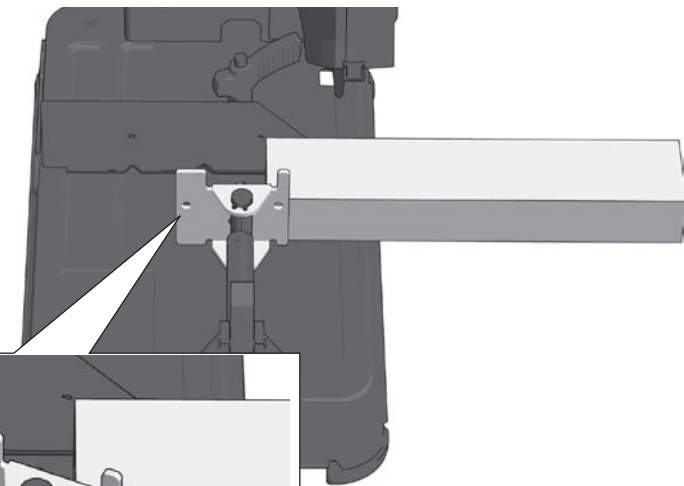
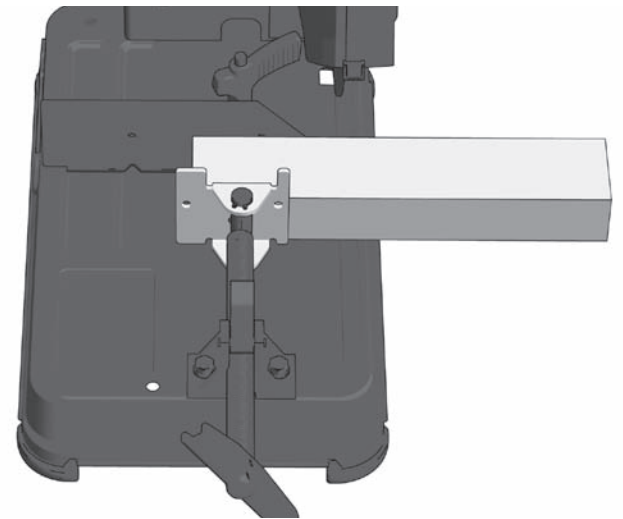
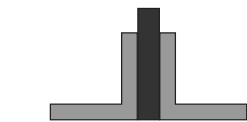
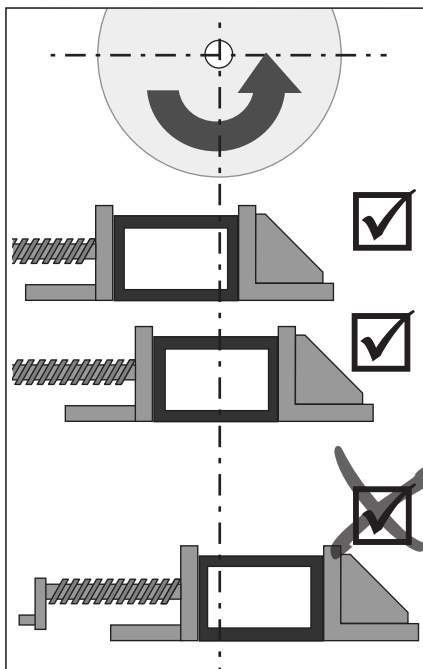
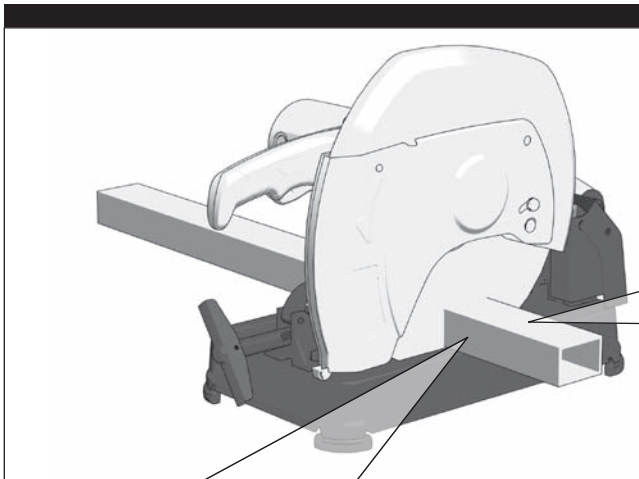
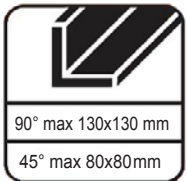
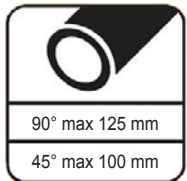
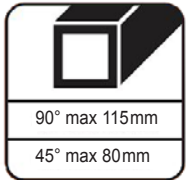
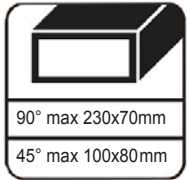
**STOP**













Zubehör - Im Lieferumfang nicht enthalten.

Accessory - Not included in standard equipment.

Accessoires - Ces pièces ne font pas partie de la livraison.

Accessorio - Non incluso nella dotazione standard.

Accessorio - No incluido en el equipo estándar, disponible en la gama de accesorios.

Acessório - Não incluído no equipamento normal.

Toebehoren - Wordt niet meegeleverd.

Tilbehør - Ikke inkludert i leveringsområdet.

Tilbehør - Inngår ikke i leveransen.

Tillbehör - Ingår ej i leveransomfånget.

Lisälaite - Ei sisälly vakiovarustukseen.

Εξαρτήματα - Δεν περιλαμβάνονται στα υλικά παράδοσης.

Aksesuar - Teslimat kapsamında değildir.

Príslušenství není součástí dodávky.

Príslušenstvo - nie je súčasťou štandardnej výbavy.

Wyposażenie dodatkowe dostępne osobno.

Azokat a tartozékokat, amelyek gyárilag nincsenek a készülékhez mellékelve.

Oprema – ni vsebovana v obsegu dobave.

Oprema - u opsegu isporuke nije sadržana.

Piederumi - standartaprikojumā neietvertās.

Priedas – neįeina į tiekimo komplektaciją.

Tarvikud - ei kuulu tarne komplekti.

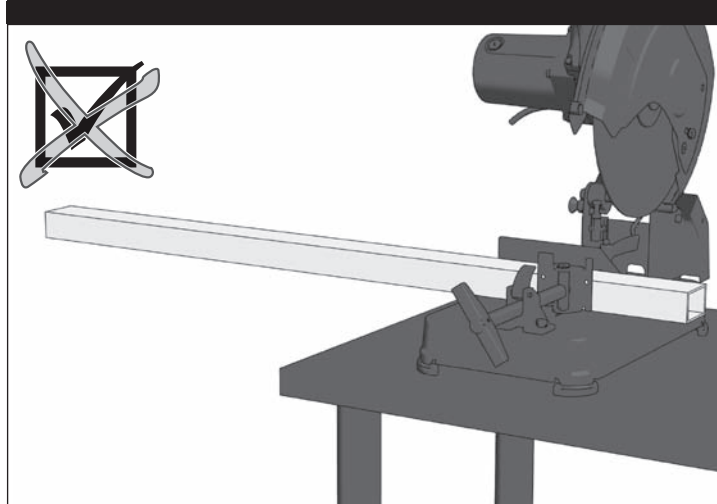
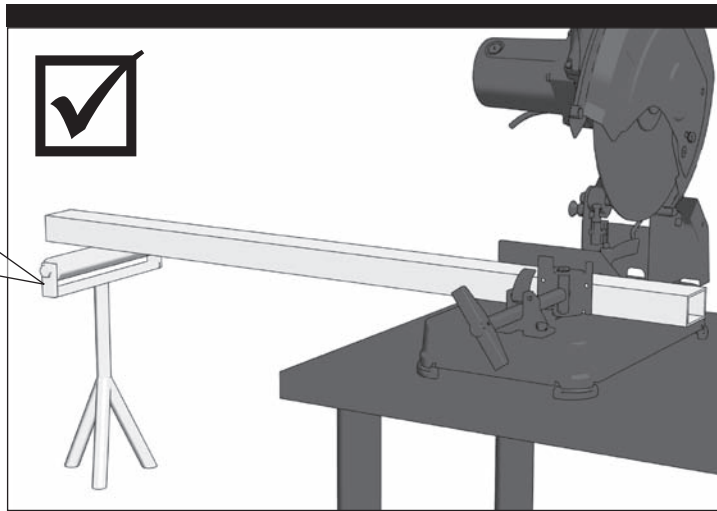
Дополнитель - В стандартную комплектацию не входит.

Аксесоари - Не се съдържат в обема на доставката.

Accesorii - Nu este inclus în echipamentul standard.

Дополнителна опрема - Не е включена во стандардната.

配件 - 不包含在供货范围中



Zubehör - Im Lieferumfang nicht enthalten.

Accessory - Not included in standard equipment.

Accessoires - Ces pièces ne font pas partie de la livraison.

Accessorio - Non incluso nella dotazione standard.

Accessorio - No incluido en el equipo estándar, disponible en la gama de accesorios.

Acessório - Não incluído no equipamento normal.

Toebehoren - Wordt niet meegeleverd.

Tilbehør - Ikke inkludert i leveringsområdet.

Tilbehør - Inngår ikke i leveransen.

Tillbehör - Ingår ej i leveransomfånget.

Lisälaite - Ei sisälly vakiovarustukseen.

Εξαρτήματα - Δεν περιλαμβάνονται στα υλικά παράδοσης.

Aksesuar - Teslimat kapsamında değildir.

Príslušenství není součástí dodávky.

Príslušenstvo - nie je súčasťou štandardnej výbavy.

Wyposażenie dodatkowe dostępne osobno.

Azokat a tartozékokat, amelyek gyárilag nincsenek a készülékhez mellékelve.

Oprema – ni vsebovana v obsegu dobave.

Oprema - u opsegu isporuke nije sadržana.

Piederumi - standartaprikojumā neietvertās.

Priedas – neįeina į tiekimo komplektaciją.

Tarvikud - ei kuulu tarne komplekti.

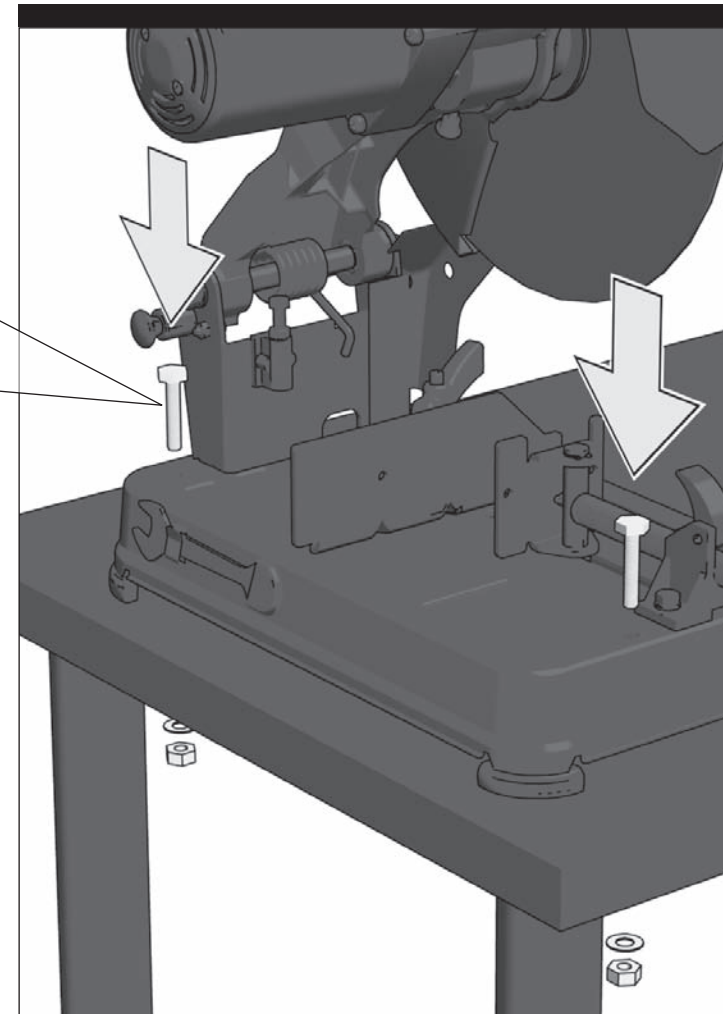
Дополнитель - В стандартную комплектацию не входит.

Аксесоари - Не се съдържат в обема на доставката.

Accesorii - Nu este inclus în echipamentul standard.

Дополнителна опрема - Не е включена во стандардната.

配件 - 不包含在供货范围中



**TECHNICAL DATA** Metal Cutting-Off Grinder **CHS 355 (110-120 V)** **CHS 355 (220-240 V)**

Rated input .....	1800 W .....	2300 W .....
No-load speed .....	3800 min <sup>-1</sup> .....	3800 min <sup>-1</sup> .....
Cut-off wheel diameter .....	355 mm .....	355 mm .....
Bore diameter cut-off wheel .....	25.4 mm .....	25.4 mm .....
Weight according EPTA-procedure 01/2003 .....	17,5 kg .....	17,5 kg .....

**Noise Information**

Measured values determined according to EN 61029.

Typically, the A-weighted noise levels of the tool are:

Sound pressure level (K=3 dB(A)) .....	91 dB (A) .....	94,5 dB (A) .....
Sound power level (K=3 dB(A)) .....	104 dB (A) .....	107,5 dB (A) .....

**Wear ear protectors!****Vibration Information**

Total vibration values (vector sum in the three axes) determined according to EN 61029.

Vibration emission value a <sub>h</sub> .....	3,1 m/s <sup>2</sup> .....	3,1 m/s <sup>2</sup> .....
Uncertainty K = .....	1,5 m/s <sup>2</sup> .....	1,5 m/s <sup>2</sup> .....

**WARNING**

The vibration emission level given in this information sheet has been measured in accordance with a standardised test given in EN 61029 and may be used to compare one tool with another. It may be used for a preliminary assessment of exposure.

The declared vibration emission level represents the main applications of the tool. However if the tool is used for different applications, with different accessories or poorly maintained, the vibration emission may differ. This may significantly increase the exposure level over the total working period.

An estimation of the level of exposure to vibration should also take into account the times when the tool is switched off or when it is running but not actually doing the job. This may significantly reduce the exposure level over the total working period.

Identify additional safety measures to protect the operator from the effects of vibration such as: maintain the tool and the accessories, keep the hands warm, organisation of work patterns.

**⚠ WARNING! Read all safety warnings and all instructions, including those given in the accompanying brochure.** Failure to follow the warnings and instructions may result in electric shock, fire and/or serious injury. **Save all warnings and instructions for future reference.**

**SAFETY INSTRUCTIONS**

**Wear ear protectors.** Exposure to noise can cause hearing loss.

Appliances used at many different locations including open air should be connected via a residual current device of 30 mA or less.

Always disconnect the plug from the socket before carrying out any work on the machine.

Only plug-in when machine is switched off.

Keep mains lead clear from working range of the machine. Always lead the cable away behind you.

Use protective equipment. Always wear safety glasses when working with the machine. The use of protective clothing is recommended, such as dust mask, protective gloves, sturdy non-slip footwear, helmet and ear defenders.

Sawdust and splinters must not be removed while the machine is running.

Never reach into the danger area of the machine when it is running.

Always use the protective shields on the machine.

Never use the Cutting-Off Grinder to cut materials other than those specified in the instruction manual.

The handle lock must always be engaged when transporting the Cutting-Off Grinder.

Only use the Cutting-Off Grinder with guards in good working order and properly maintained, and in position.

The adjusting nut must be tightened before starting to work with the machine.

Do not use cut-off wheels which are damaged or deformed

Always use and store the cut-off wheels according to the manufacturer's instructions.

Use only cut-off wheels that are recommended for your power tool and the specific guard. Cut-off Wheels for which the power tool was not designed cannot be adequately guarded and are unsafe.

Do not attach a saw chain, woodcarving blade or toothed saw blade. Such blades create frequent kickback and loss of control.

The guard must be securely attached to the power tool and positioned for maximum safety, so the least amount of cut-off wheel is exposed towards the operator. The guard helps to protect operator from broken cut-off wheel fragments and accidental contact with cut-off wheel.

The arbour size of the cut-off wheel and the flange must properly fit the spindle of the power tool.

Check cut-off wheels before use. The cut-off wheel must be properly mounted and turn freely. Perform a test run for at least 30 seconds without load. Do not use damaged, out of round or vibrating cut-off wheels.

Always use undamaged wheel flanges that are of correct size and shape for your selected cut-off wheel. Proper wheel flanges support the cutting wheel thus reducing the possibility of wheel breakage.

When cutting metal, flying sparks are produced. Take care that no persons are endangered. Because of the danger of fire, no combustible materials should be located in the vicinity (spark flight zone). Do not use dust extraction.

Do not use a damaged cut-off wheel. Before each use inspect the cut-off wheel for chips and cracks, tear or excess wear.

After switching off, the machine will not be idle immediately. (After-running of the cut-off wheel.) Allow the cut-off wheel to come to a stop after switching off.

Do not "jam" the cut-off wheel or apply excessive pressure.

When cut-off wheel is binding or when interrupting a cut for any reason, switch off the power tool and wait until the wheel comes to a complete stop. Never attempt to remove

the cut-off wheel from the workpiece while the wheel is in motion otherwise kickback may occur. Investigate and take corrective action to eliminate the cause of wheel binding.

Do not restart the cutting operation in the workpiece. Let the wheel reach full speed and carefully reenter the cut. The wheel may bind, walk up or kickback if the power tool is restarted in the workpiece.

The workpiece must be fixed.

Regularly clean the power tool's air vents. The motor's fan will draw the dust inside the housing and excessive accumulation of powdered metal may cause electrical hazards.

Ensure that the machine is always stable and secure (e.g. fixed to a bench)

Long workpieces must be adequately supported.

**SPECIFIED CONDITIONS OF USE**

The Cutting-Off Grinder may be used for cutting metal sections, metal pipes and metal bars into lengths. The machine is not designed for wood working.

Do not use this product in any other way as stated for normal use.

**EC-DECLARATION OF CONFORMITY**

We declare under our sole responsibility that this product is in conformity with the following standards or standardized documents. EN 61029, EN 55014-1, EN 55014-2, EN 61000-3-2, EN 61000-3-3, in accordance with the regulations 2006/42/EC, 2004/108/EC



Winnenden, 2010-09-21

Rainer Kumpf  
Manager Product Development  
Authorized to compile the technical file

**MAINS CONNECTION**

Connect only to single-phase a.c. current and only to the system voltage indicated on the rating plate. It is also possible to connect to sockets without an earthing contact as the design conforms to safety class II.

**MAINTENANCE**

The ventilation slots of the machine must be kept clear at all times.

Use only Milwaukee accessories and Milwaukee spare parts. Should components need to be replaced which have not been described, please contact one of our Milwaukee service agents (see our list of guarantee/service addresses).

If needed, an exploded view of the tool can be ordered. Please state the Article No. as well as the machine type printed on the label and order the drawing at your local service agents or directly at: Milwaukee Electric Tool, Max-Eyth-Straße 10, D-71364 Winnenden, Germany.

**SYMBOLS**

Please read the instructions carefully before starting the machine.



Always disconnect the plug from the socket before carrying out any work on the machine.



Always wear goggles when using the machine.



Do not dispose of electric tools together with household waste material! In observance of European Directive 2002/96/EC on waste electrical and electronic equipment and its implementation in accordance with national law, electric tools that have reached the end of their life must be collected separately and returned to an environmentally compatible recycling facility.

## TECHNISCHE DATEN Metalltrennschleifer CHS 355 (110-120 V) CHS 355 (220-240 V)

Nennaufnahmeleistung.....	1800 W	2300 W
Leerlaufdrehzahl.....	3800 min <sup>-1</sup>	3800 min <sup>-1</sup>
Trennscheiben-ø.....	355 mm	355 mm
Bohrungs-ø der Trennscheibe.....	25,4 mm	25,4 mm
Gewicht nach EPTA-Prozedur 01/2003.....	17,5 kg	17,5 kg

### Geräuschinformationen

Messwerte ermittelt entsprechend EN 61029.

Der A-bewertete Geräuschpegel des Gerätes beträgt typischerweise:

Schalldruckpegel (K = 3 dB(A)).....	91 dB (A)	94,5 dB (A)
Schalleistungspegel (K = 3 dB(A)).....	104 dB (A)	107,5 dB (A)

### Gehörschutz tragen!

### Vibrationsinformationen

Schwingungsgesamtwerte (Vektorsumme dreier Richtungen)

ermittelt entsprechend EN 61029:

Schwingungsemissionswert a <sub>h</sub> .....	3,1 m/s <sup>2</sup>	3,1 m/s <sup>2</sup>
Unsicherheit K = .....	1,5 m/s <sup>2</sup>	1,5 m/s <sup>2</sup>

### WARNUNG

Der in diesen Anweisungen angegebene Schwingungspegel ist entsprechend einem in EN 61029 genormten Messverfahren gemessen worden und kann für den Vergleich von Elektrowerkzeugen miteinander verwendet werden. Er eignet sich auch für eine vorläufige Einschätzung der Schwingungsbelastung.

Der angegebene Schwingungspegel repräsentiert die hauptsächlichsten Anwendungen des Elektrowerkzeugs. Wenn allerdings das Elektrowerkzeug für andere Anwendungen, mit abweichenden Einsatzwerkzeugen oder ungenügender Wartung eingesetzt wird, kann der Schwingungspegel abweichen. Dies kann die Schwingungsbelastung über den gesamten Arbeitszeitraum deutlich erhöhen.

Für eine genaue Abschätzung der Schwingungsbelastung sollten auch die Zeiten berücksichtigt werden, in denen das Gerät abgeschaltet ist oder zwar läuft, aber nicht tatsächlich im Einsatz ist. Dies kann die Schwingungsbelastung über den gesamten Arbeitszeitraum deutlich reduzieren.

Legen Sie zusätzliche Sicherheitsmaßnahmen zum Schutz des Bedieners vor der Wirkung von Schwingungen fest wie zum Beispiel: Wartung von Elektrowerkzeug und Einsatzwerkzeugen, Warmhalten der Hände, Organisation der Arbeitsabläufe.

**⚠️ WARNUNG! Lesen Sie alle Sicherheitshinweise und Anweisungen, auch die in der beiliegenden Broschüre.** Versäumnisse bei der Einhaltung der Sicherheitshinweise und Anweisungen können elektrischen Schlag, Brand und/oder schwere Verletzungen verursachen. **Bewahren Sie alle Sicherheitshinweise und Anweisungen für die Zukunft auf.**

### SPEZIELLE SICHERHEITSHINWEISE

**Tragen Sie Gehörschutz.** Die Einwirkung von Lärm kann Hörverlust bewirken.

Steckdosen in Außenbereichen müssen mit Fehlerstrom-Schutzschaltern (FI, RCD, PRCD) ausgerüstet sein. Das verlangt die Installationsvorschrift für Ihre Elektroanlage. Bitte beachten Sie das bei der Verwendung unseres Gerätes.

Vor allen Arbeiten an der Maschine Stecker aus der Steckdose ziehen.

Maschine nur ausgeschaltet an die Steckdose anschließen.

Anschlusskabel stets vom Wirkungsbereich der Maschine fernhalten. Kabel immer nach hinten von der Maschine wegführen.

Schutzausrüstung verwenden. Beim Arbeiten mit der Maschine stets Schutzbrille tragen. Schutzkleidung wie Staubschutzmaske, Schutzhandschuhe, festes und rutschsicheres Schuhwerk, Helm und Gehörschutz werden empfohlen.

Späne oder Splitter dürfen bei laufender Maschine nicht entfernt werden.

Nicht in den Gefahrenbereich der laufenden Maschine greifen.

Schutzeinrichtung der Maschine unbedingt verwenden.

Den Trennschleifer niemals zum Schneiden anderer als in der Bedienungsanleitung angegebenen Werkstoffe verwenden.

Den Trennschleifer nur mit eingerasteter Transportsicherung am Handgriff transportieren.

Den Trennschleifer nur mit sicher funktionierender und gut gewarteten Schutzhaube benutzen. Die Schutzhaube muss selbsttätig zurückschwenken.

Die Flanschmutter muss vor Inbetriebnahme der Maschine angezogen sein.

Keine Trennscheiben benutzen die beschädigt oder verformt sind.

Trennscheiben stets gemäß den Angaben des Herstellers verwenden und aufbewahren.

Verwenden Sie ausschließlich die für Ihr Elektrowerkzeug zugelassenen Trennscheiben und die vorgesehene Schutzhaube. Schleifkörper, die nicht für das Elektrowerkzeug vorgesehen sind, können nicht ausreichend abgeschirmt werden und sind unsicher.

Verwenden Sie kein Ketten- oder gezähntes Sägeblatt. Solche Einsatzwerkzeuge verursachen häufig einen Rückschlag oder den Verlust der Kontrolle über das Elektrowerkzeug.

Verwenden Sie immer die Schutzhaube. Die Schutzhaube muss sicher am Elektrowerkzeug angebracht und so eingestellt sein, dass ein Höchstmaß an Sicherheit erreicht wird, d.h. der kleinstmögliche Teil der Trennscheibe zeigt offen zur Bedienperson. Die Schutzhaube soll die Bedienperson vor Bruchstücken und zufälligem Kontakt mit dem Schleifkörper schützen.

Trennscheiben und Flansche müssen genau auf die Schleifspindel Ihres Elektrowerkzeugs passen.

Trennscheiben vor dem Gebrauch überprüfen. Die Trennscheibe muss einwandfrei montiert sein und sich frei drehen können. Probelauf mindestens 30 Sekunden ohne Belastung durchführen. Beschädigte, unrunde oder vibrierende Trennscheiben nicht verwenden

Verwenden Sie immer unbeschädigte Spannfansche in der richtigen Größe und Form für die von Ihnen gewählte Trennscheibe. Geeignete Flansche stützen die Trennscheibe und verringern so die Gefahr eines Trennscheibenbruchs.

Beim Trennen von Metallen entsteht Funkenflug. Darauf achten, dass keine Personen gefährdet werden. Wegen der Brandgefahr dürfen sich keine brennbaren Materialien in der Nähe (Funkenflugbereich) befinden. Keine Staubabsaugung verwenden.

Verwenden Sie keine beschädigten Trennscheiben. Kontrollieren Sie vor jeder Verwendung die Trennscheibe auf Absplitterungen und Risse, Schleifteller auf Risse, Verschleiß oder starke Abnutzung.

Nach dem Ausschalten kommt die Maschine nicht sofort zum Stillstand (Nachlauf der Trennscheibe). Den Stillstand der Trennscheibe nach dem Ausschalten abwarten.

Vermeiden Sie ein Blockieren der Trennscheibe oder zu hohen Anpressdruck.

Falls die Trennscheibe verklemmt oder Sie die Arbeit unterbrechen, schalten Sie das Elektrowerkzeug aus und warten Sie bis die Scheibe zum Stillstand gekommen ist. Versuchen Sie nie, die noch laufende Trennscheibe aus dem Werkstück zu ziehen, sonst kann ein Rückschlag erfolgen. Ermitteln und beheben Sie die Ursache für das Verklemmen.

Schalten Sie das Elektrowerkzeug nicht wieder ein, solange es sich im Werkstück befindet. Lassen Sie die Trennscheibe erst ihre volle Drehzahl erreichen, bevor Sie den Schnitt vorsichtig fortsetzen. Anderenfalls kann die Scheibe verhaken, aus dem Werkstück springen oder einen Rückschlag verursachen.

Das zu bearbeitende Werkstück muss festgespannt werden

Reinigen Sie regelmäßig die Lüftungsschlitze Ihres Elektrowerkzeugs. Das Motorgebläse zieht Staub in das Gehäuse, und eine starke Ansammlung von Metallstaub kann elektrische Gefahren verursachen.

Sicherstellen, dass die Maschine stets einen sicheren Stand hat (z.B. befestigen an der Werkbank).

Lange Werkstück sind geeignet abzustützen.

### BESTIMMUNGSGEMÄßE VERWENDUNG

Der Trennschleifer ist geeignet zum Ablängen von Metallprofilen, Metallrohren und Metallstäben. Die Maschine ist zur Holzbearbeitung nicht geeignet.

Dieses Gerät darf nur wie angegeben bestimmungsgemäß verwendet werden.

### CE-KONFORMITÄTSERKLÄRUNG

Wir erklären in alleiniger Verantwortung, dass dieses Produkt mit den folgenden Normen oder normativen Dokumenten übereinstimmt. EN 61029, EN 55014-1, EN 55014-2, EN 61000-3-2, EN 61000-3-3, gemäß den Bestimmungen der Richtlinien 2006/42/EG, 2004/108/EG.



Winnenden, 2010-09-21

Rainer Kumpf  
Manager Product Development

Bevollmächtigt die technischen Unterlagen zusammenzustellen

### NETZANSCHLUSS

Nur an Einphasen-Wechselstrom und nur an die auf dem Leistungsschild angegebene Netzspannung anschließen. Anschluss ist auch an Steckdosen ohne Schutzkontakt möglich, da ein Aufbau der Schutzklasse II vorliegt.

### WARTUNG

Stets die Lüftungsschlitze der Maschine sauber halten.

Nur Milwaukee Zubehör und Ersatzteile verwenden. Bauteile, deren Austausch nicht beschrieben wurde, bei einer Milwaukee Kundendienststelle auswechseln lassen (Broschüre Garantie/Kundendienstadressen beachten).

Bei Bedarf kann eine Explosionszeichnung des Gerätes unter Angabe der Maschinen Type und der zehnstelligen Nummer auf dem Leistungsschild bei Ihrer Kundendienststelle oder direkt bei Milwaukee Electric Tool, Max-Eyth-Straße 10, D-71364 Winnenden, Germany angefordert werden.

### SYMBOLE



Bitte lesen Sie die Gebrauchsanweisung vor Inbetriebnahme sorgfältig durch.



Vor allen Arbeiten an der Maschine Stecker aus der Steckdose ziehen.



Beim Arbeiten mit der Maschine stets Schutzbrille tragen.



Werfen Sie Elektrowerkzeuge nicht in den Hausmüll! Gemäss Europäischer Richtlinie 2002/96/EG über Elektro- und Elektronik-Altgeräte und Umsetzung in nationales Recht müssen verbrauchte Elektrowerkzeuge getrennt gesammelt und einer umweltgerechten Wiederverwertung zugeführt werden.



**CARACTÉRISTIQUES TECHNIQUES** Meule de tronçonnage **CHS 355 (110-120 V)** **CHS 355 (220-240 V)**

Puissance nominale de réception.....	1800 W	2300 W
Vitesse de rotation à vide.....	3800 min <sup>-1</sup>	3800 min <sup>-1</sup>
Ø des disques de tronçonnage.....	355 mm	355 mm
Ø de perçage du disque de tronçonnage.....	25,4 mm	25,4 mm
Poids suivant EPTA-Procédure 01/2003.....	17,5 kg	17,5 kg

**Informations sur le bruit**

Valeurs de mesure obtenues conformément à la EN 61029..

Les mesures réelles (A) des niveaux acoustiques de l'appareil sont :

Niveau de pression acoustique (K=3 dB(A)).....	91 dB (A)	94,5 dB (A)
Niveau d'intensité acoustique (K=3 dB(A)).....	104 dB (A)	107,5 dB (A)

**Toujours porter une protection acoustique!****Informations sur les vibrations**

Valeurs totales des vibrations (somme vectorielle de trois sens) établies conformément à EN 61029.

Valeur d'émission vibratoire a <sub>h</sub> .....	3,1 m/s <sup>2</sup>	3,1 m/s <sup>2</sup>
Incertitude K = .....	1,5 m/s <sup>2</sup>	1,5 m/s <sup>2</sup>

**AVERTISSEMENT**

Le niveau vibratoire indiqué dans ces instructions a été mesuré selon un procédé de mesure normalisé dans la norme EN 61029 et peut être utilisé pour comparer des outils électriques entre eux. Il convient aussi à une estimation provisoire de la sollicitation par les vibrations.

Le niveau vibratoire indiqué représente les applications principales de l'outil électrique. Toutefois, si l'outil électrique est utilisé pour d'autres applications, avec des outils rapportés qui diffèrent ou une maintenance insuffisante, il se peut que le niveau vibratoire diverge. Cela peut augmenter nettement la sollicitation par les vibrations sur tout l'intervalle de temps du travail.

Pour une estimation précise de la sollicitation par les vibrations, on devrait également tenir compte des temps pendant lesquels l'appareil n'est pas en marche ou tourne sans être réellement en service. Cela peut réduire nettement la sollicitation par les vibrations sur tout l'intervalle de temps du travail.

Définissez des mesures de sécurité supplémentaires pour protéger l'utilisateur contre l'influence des vibrations, comme par exemple : la maintenance de l'outil électrique et des outils rapportés, le maintien au chaud des mains, l'organisation des déroulements de travail.

**⚠ AVERTISSEMENT! Lisez toutes les consignes de sécurité et les instructions, même celles qui se trouvent dans la brochure ci-jointe.** Le non-respect des avertissements et instructions indiqués ci après peut entraîner un choc électrique, un incendie et/ou de graves blessures sur les personnes.  
**Bien garder tous les avertissements et instructions.**

**INSTRUCTIONS DE SÉCURITÉ PARTICULIÈRES**

**Portez une protection acoustique.** L'influence du bruit peut provoquer la surdité.

Les prises de courant se trouvant à l'extérieur doivent être équipées de disjoncteurs différentiel (FI, RCD, PRCD) conformément aux prescriptions de mise en place de votre installation électrique. Veuillez en tenir compte lors de l'utilisation de notre appareil.

Avant tous travaux sur la machine extraire la fiche de la prise de courant.

Ne raccorder la machine au réseau que si l'interrupteur est en position arrêté.

Le câble d'alimentation doit toujours se trouver en dehors du champ d'action de la machine. Toujours maintenir le câble d'alimentation à l'arrière de la machine.

Utiliser l'équipement de protection. Toujours porter des lunettes de protection pendant le travail avec la machine. Il est recommandé de porter des articles de protection, tels que masque antipoussière, gants de protection, chaussures tenant bien aux pieds et antidérapantes, casque et protection acoustique.

Ne jamais enlever les copeaux ni les éclats lorsque la machine est en marche.

Ne jamais intervenir dans la zone dangereuse lorsque la machine est en marche.

Il est absolument impératif d'utiliser le dispositif protecteur de la machine.

Ne jamais utiliser la meule de tronçonnage pour sectionner des matériaux autres que ceux qui sont indiqués dans le mode d'emploi.

Transporter la meule de tronçonnage par la poignée et seulement si le dispositif de sécurité pour le transport est enclenché.

Utiliser la meule de tronçonnage seulement si le capot de protection fonctionne sûrement et s'il est dans un état bien entretenu. Le capot de protection doit se rabattre de lui-même.

L'écrou du flasque doit être serré avant de mettre en marche la machine.

Ne pas utiliser de disques de tronçonnage qui sont endommagés ou déformés.

Toujours utiliser et ranger les disques de tronçonnage selon les indications du fabricant.

Utiliser exclusivement des disques de tronçonnage homologués pour l'outil électrique ainsi que le capot de protection prévu à cet effet. Les meules qui ne sont pas prévues pour l'outil électrique ne peuvent pas être suffisamment protégées et ne présentent pas la sécurité nécessaire.

Ne pas utiliser de lame de scie à chaîne ou dentées. De tels ustensiles occasionnent fréquemment un contrecoup ou la perte du contrôle sur l'outil électrique.

Toujours utiliser le capot de protection. Le capot de protection doit être monté sûrement sur l'outil électrique et être ajusté de manière à procurer un maximum de sécurité, c'est-à-dire le plus petit composant possible du disque de tronçonnage montre vers l'utilisateur. Le capot de protection doit protéger l'utilisateur contre les éclats et le contact par inadvertance avec la meule.

Les disques de tronçonnage et les brides doivent être adaptés exactement à la broche de meulage de l'outil électrique.

Vérifier les disques de tronçonnage avant de les utiliser. Le disque de tronçonnage doit être monté parfaitement et doit pouvoir tourner librement. Exécuter une course d'essai sans

charge pendant au moins 30 secondes. Ne pas utiliser les disques de tronçonnage s'ils sont endommagés, s'ils vibrent ou s'ils ne présentent pas la rotundité exigée.

Toujours utiliser des brides de serrage non endommagées dans la taille et la forme correctes pour le disque de tronçonnage qui aura été choisi. Les brides appropriées soutiennent le disque de tronçonnage et diminuent ainsi le risque d'une rupture du disque.

Une projection d'étincelles est générée lorsque des métaux sont sectionnés. Veiller à ce que personne ne soit mis en danger. En raison du risque d'incendie, aucun matériau combustible ne doit se trouver à proximité (aux alentours de la projection d'étincelles). Ne pas utiliser de dispositif d'aspiration de la poussière.

Ne pas utiliser de disques de tronçonnage qui sont endommagés. Avant chaque utilisation, contrôler si le disque de tronçonnage présente des éclatements et des fissures et si le plateau de meulage est fissuré, usé ou fortement détérioré par l'usage.

Une fois qu'elle est déconnectée, la machine ne s'arrête pas immédiatement (le disque de tronçonnage poursuit sa course). Attendre jusqu'à ce que le disque se soit immobilisé après la déconnexion.

Éviter un blocage du disque de tronçonnage ou une pression de pressage trop élevée.

Si le disque de tronçonnage se coince ou si le travail est interrompu, il est impératif de déconnecter l'outil électrique et d'attendre jusqu'à ce que le disque se soit immobilisé. Ne jamais essayer d'extraire de la pièce à usiner un disque de tronçonnage qui tourne encore, car cela peut provoquer un contrecoup. Déterminer et éliminer l'origine du blocage.

Ne pas enclencher à nouveau l'outil électrique tant qu'il se trouve dans la pièce à usiner. Permettre tout d'abord au disque de tronçonnage d'atteindre sa vitesse de rotation maximale avant de continuer la coupe avec précaution. Dans le cas contraire, il se peut que le disque se coince, saute en dehors de la pièce à usiner ou occasionne un contrecoup.

La pièce à usiner doit être fixée fermement.

Nettoyer régulièrement les fentes de ventilation de l'outil électrique. La soufflante du moteur attire la poussière dans le carter et un dépôt important de poussière métallique peut occasionner des risques de nature électrique.

S'assurer que la machine présente toujours une bonne stabilité (par ex. par une fixation sur l'établi).

Les longues pièces à œuvrer doivent être soutenues de manière appropriée.

**UTILISATION CONFORME AUX PRESCRIPTIONS**

La meule de tronçonnage convient à la coupe en longueur des profilés en métal, des tubes en métal et des barres en métal. La machine ne convient pas à l'usinage du bois.

Comme déjà indiqué, cette machine n'est conçue que pour être utilisée conformément aux prescriptions.

**DECLARATION CE DE CONFORMITÉ**

Nous déclarons sous notre responsabilité que ce produit est en conformité avec les normes ou documents normalisés suivants EN 61029, EN 55014-1, EN 55014-2, EN 61000-3-2, EN 61000-3-3, conformément aux réglementations 2006/42/CE, 2004/108/CE



Winnenden, 2010-09-21

Rainer Kumpf  
Manager Product Development

Autorisé à compiler la documentation technique.

**BRANCHEMENT SECTEUR**

Raccorder uniquement à un courant électrique monophasé et uniquement à la tension secteur indiquée sur la plaque signalétique. Le raccordement à des prises de courant sans contact de protection est également possible car la classe de protection II est donnée.

**ENTRETIEN**

Tenir toujours propres les orifices de ventilation de la machine.

N'utiliser que des pièces et accessoires Milwaukee. Pour des pièces dont l'échange n'est pas décrit, s'adresser de préférence aux stations de service après-vente Milwaukee (voir brochure Garantie/Adresses des stations de service après-vente).

Si besoin est, une vue éclatée de l'appareil peut être fournie. S'adresser, en indiquant bien le numéro à dix chiffres porté sur la plaque signalétique, à votre station de service après-vente (voir liste jointe) ou directement à Milwaukee Electric Tool, Max-Eyth-Straße 10, D-71364 Winnenden, Germany.

**SYMBLES**

Veillez lire avec soin le mode d'emploi avant la mise en service



Avant tous travaux sur la machine extraire la fiche de la prise de courant.



Toujours porter des lunettes protectrices en travaillant avec la machine.



Ne pas jeter les appareils électriques dans les ordures ménagères ! Conformément à la directive européenne 2002/96/EG relative aux déchets d'équipements électriques ou électroniques (DEEE), et à sa transposition dans la législation nationale, les appareils électriques doivent être collectés à part et être soumis à un recyclage respectueux de l'environnement.

DATI TECNICI	Apparecchio troncatore	CHS 355 (110-120 V)	CHS 355 (220-240 V)
Potenza assorbita nominale	1800 W	2300 W	2300 W
Numero di giri a vuoto	3800 min <sup>-1</sup>	3800 min <sup>-1</sup>	3800 min <sup>-1</sup>
Ø dei dischi troncatore	355 mm	355 mm	355 mm
Ø del foro del disco troncatore	25,4 mm	25,4 mm	25,4 mm
Peso secondo la procedura EPTA 01/2003	17,5 kg	17,5 kg	17,5 kg

#### Informazioni sulla rumorosità

Valori misurati conformemente alla norma EN 61029. La misurazione A del livello di pressione acustica dell'utensile è di solito di:

Livello di rumorosità (K = 3dB(A))	91 dB (A)	94,5 dB (A)
Potenza della rumorosità (K = 3dB(A))	104 dB (A)	107,5 dB (A)

#### Utilizzare le protezioni per l'udito!

#### Informazioni sulla vibrazione

Valori totali delle oscillazioni (somma di vettori in tre direzioni) misurati conformemente alla norma EN 61029

Valore di emissione dell'oscillazione a:	3,1 m/s <sup>2</sup>	3,1 m/s <sup>2</sup>
Incertezza della misura K =	1,5 m/s <sup>2</sup>	1,5 m/s <sup>2</sup>

#### AVVERTENZA

Il livello di vibrazioni indicato nelle presenti istruzioni è stato misurato in conformità con un procedimento di misurazione codificato nella EN 61029 e può essere utilizzato per un confronto tra attrezzi elettrici. Inoltre si può anche utilizzare per una valutazione preliminare della sollecitazione da vibrazioni.

Il livello di vibrazioni indicato rappresenta le applicazioni principali dell'attrezzo elettrico. Se viceversa si utilizza l'attrezzo elettrico per altri scopi, con accessori differenti o con una manutenzione insufficiente, il livello di vibrazioni può risultare diverso. E questo può aumentare decisamente la sollecitazione da vibrazioni lungo l'intero periodo di lavorazione.

Ai fini di una valutazione precisa della sollecitazione da vibrazioni si dovrebbero tenere presente anche i periodi in cui l'apparecchio rimane spento oppure, anche se acceso, non viene effettivamente utilizzato. Ciò può ridurre notevolmente la sollecitazione da vibrazioni lungo l'intero periodo di lavorazione.

Stabilite misure di sicurezza supplementari per la tutela dell'operatore dall'effetto delle vibrazioni, come ad esempio: manutenzione dell'attrezzo elettrico e degli accessori, riscaldamento delle mani, organizzazione dei processi di lavoro.

**AVVERTENZA! E' necessario leggere tutte le indicazioni di sicurezza e le istruzioni, anche quelle contenute nella brochure allegata.** In caso di mancato rispetto delle avvertenze di pericolo e delle istruzioni operative si potrà creare il pericolo di scosse elettriche, incendi e/o incidenti gravi.

**Conservare tutte le avvertenze di pericolo e le istruzioni operative per ogni esigenza futura.**

#### NORME DI SICUREZZA

**Indossare protezioni acustiche adeguate.** L'esposizione prolungata al rumore senza protezione può causare danni all'udito.

Gli apparecchi mobili usati all'aperto devono essere collegati interponendo un interruttore di sicurezza (FI, RCD, PRCD) per guasti di corrente.

Prima di effettuare qualsiasi lavoro sulla macchina togliere la spina dalla presa di corrente.

Inserire la spina solo con interruttore su posizione "OFF". Tenere sempre lontano il cavo di collegamento dall'area di lavoro dell'attrezzo.

Usare dispositivi di protezione. Durante il lavoro con la macchina bisogna sempre portare occhiali di protezione. Si consiglia di indossare indumenti di protezione come maschera antipolvere, guanti di protezione, scarpe antiscivolo robuste, casco e cuffie di protezione acustica.

Non rimuovere trucioli o schegge mentre l'utensile è in funzione.

Non entrare nel raggio d'azione dell'utensile mentre è in funzione.

Usare sempre il dispositivo di protezione dell'apparecchio.

Non utilizzare mai l'apparecchio troncatore per tagliare materiali diversi da quelli indicati nelle istruzioni sull'uso.

Trasportare l'apparecchio troncatore solo per l'impugnatura, con dispositivo di protezione per trasporto innestato.

Utilizzare l'apparecchio troncatore solo con cappa di protezione funzionante in modo sicuro e in perfetto stato di manutenzione. La cappa di protezione deve scostarsi automaticamente.

Il dado flangiato deve essere serrato prima dell'utilizzo della macchina.

Non utilizzare dischi troncatore danneggiati o deformati.

Utilizzare e custodire i dischi troncatore sempre secondo le indicazioni del produttore.

Utilizzate esclusivamente i dischi troncatore ammessi per il vostro attrezzo elettrico e la cappa di protezione prevista. Gli abrasivi non previsti per l'attrezzo elettrico non possono essere schermati adeguatamente e non sono sicuri.

Non utilizzate lame a catena o dentate. Simili accessori provocano spesso un contraccolpo oppure la perdita del controllo sull'attrezzo elettrico.

Utilizzate sempre la cappa di protezione. La cappa di protezione deve essere applicata saldamente all'attrezzo elettrico e deve essere regolata in modo tale che sia garantito il massimo della sicurezza, vale a dire che una parte minima del disco troncatore sia apertamente rivolta verso l'operatore. La cappa di protezione deve proteggere l'operatore da frammenti e contatto involontario con l'abrasivo.

I dischi troncatore e le flange devono adattarsi perfettamente al mandrino portamolà del vostro attrezzo elettrico.

Controllare i dischi troncatore prima dell'uso. Il disco troncatore deve essere perfettamente montato e potere girare liberamente. Eseguire una corsa di prova per almeno 30 secondi senza carico. Non utilizzare dischi troncatore danneggiati, non circolari o che vibrano.

Utilizzate sempre flange di tensione non danneggiate della dimensione e della forma corretta per il disco troncatore scelto. Le flange adatte sostengono il disco troncatore e riducono il pericolo di rottura del disco troncatore stesso.

Nella separazione di metalli si producono scintille. Fare attenzione a non esporre a pericolo le persone. Dato il pericolo di incendio, nelle vicinanze (area di caduta delle

scintille) non vi devono essere materiali infiammabili. Non utilizzare aspirazione della polvere.

Non utilizzate dischi troncatore danneggiati. Prima di ogni utilizzo controllate se il disco troncatore evidenzia rotture e crepe, se i dischi smerigliatori evidenziano crepe, usura o forte consumo.

Dopo lo spegnimento la macchina non si ferma immediatamente (inerzia del disco troncatore). Attendere l'arresto del disco troncatore dopo lo spegnimento della macchina.

Evitate il bloccaggio del disco troncatore o una pressione di spinta eccessiva.

Se il disco troncatore dovesse essere bloccato oppure quando interrompete il lavoro, spegnete l'attrezzo elettrico e aspettate che il disco si fermi. Non tentate in nessun caso di tirare il disco troncatore ancora in funzione dall'attrezzo, perché si potrebbe verificare un contraccolpo. Cercate di capire la causa del bloccaggio ed eliminarla.

Non riaccendete l'attrezzo elettrico finché si trova inserito nel pezzo da lavorare. Aspettate che il disco troncatore raggiunga la piena velocità prima di continuare il taglio con delicatezza. In caso contrario il disco potrebbe incagliarsi, saltare fuori dall'attrezzo o provocare un contraccolpo.

Il pezzo da lavorare deve sempre essere ben bloccato.

Pulite periodicamente le fessure di ventilazione del vostro attrezzo elettrico. Il soffiante del motore attira polvere nell'alloggiamento, e il forte accumulo di polveri metalliche può causare pericoli di natura elettrica.

Accertarsi che la macchina sia sempre stabile (ad esempio fissandola sul banco di lavoro).

Pezzi lunghi devono essere supportati adeguatamente+D6.

#### UTILIZZO CONFORME

L'apparecchio troncatore è adatto per tagliare a misura profilati metallici, tubi metallici e barre metalliche. La macchina non è adatta alla lavorazione del legno. Utilizzare il prodotto solo per l'uso per cui è previsto.

#### DICHIARAZIONE DI CONFORMITÀ CE

Dichiariamo, assumendo la piena responsabilità di tale dichiarazione, che il prodotto è conforme alla seguenti normative e ai relativi documenti: EN 61029, EN 55014-1, EN 55014-2, EN 61000-3-2, EN 61000-3-3, in base alle prescrizioni delle direttive 2006/42/CE, 2004/108/CE



Winnenden, 2010-09-21

Rainer Kumpf  
Manager Product Development  
Autorizzato alla preparazione della documentazione tecnica

#### COLLEGAMENTO ALLA RETE

Connettere solo corrente alternata mono fase e solo al sistema di voltaggio indicato sulla piastra. E' possibile anche connettere la presa senza un contatto di messa a terra così come prevede lo schema conforme alla norme di sicurezza di classe II.

#### MANUTENZIONE

Tener sempre ben pulite le fessure di ventilazione dell'apparecchio.

Utilizzare esclusivamente accessori e pezzi di ricambio Milwaukee. L'installazione di pezzi di ricambio non specificamente prescritti dall'Milwaukee va preferibilmente effettuata dal servizio di assistenza clienti Milwaukee (ved. opuscolo Garanzia/Indirizzi Assistenza tecnica).

In caso di mancanza del disegno esploso, può essere richiesto al seguente indirizzo: Milwaukee Electric Tool, Max-Eyth-Straße 10, D-71364 Winnenden, Germany.

#### SIMBOLI



Leggere attentamente le istruzioni per l'uso prima di mettere in funzione l'elettrotensile.



Prima di effettuare qualsiasi lavoro sulla macchina togliere la spina dalla presa di corrente.



Durante l'uso dell'apparecchio utilizzare sempre gli occhiali di protezione.



Non gettare le apparecchiature elettriche tra i rifiuti domestici. Secondo la Direttiva Europea 2002/96/CE sui rifiuti di apparecchiature elettriche ed elettroniche e la sua attuazione in conformità alle norme nazionali, le apparecchiature elettriche esauste devono essere accolte separatamente, al fine di essere reimpiagate in modo eco-compatibile.

DATOS TÉCNICOS		Amoladora de corte	CHS 355 (110-120 V)	CHS 355 (220-240 V)
Potencia de salida nominal.....	1800 W	2300 W		
Velocidad en vacío .....	3800 min <sup>-1</sup>	3800 min <sup>-1</sup>		
Ø del disco de corte .....	355 mm	355 mm		
Ø del agujero del disco de corte .....	25,4 mm	25,4 mm		
Peso de acuerdo con el procedimiento EPTA 01/2003 .....	17,5 kg	17,5 kg		

#### Información sobre ruidos

Determinación de los valores de medición según norma EN 61029.

El nivel de ruido típico del aparato determinado con un filtro

A corresponde a:

Presión acústica (K = 3 dB(A)).....	91 dB (A)	94,5 dB (A)
Resonancia acústica (K = 3 dB(A)).....	104 dB (A)	107,5 dB (A)

#### Usar protectores auditivos!

#### Informaciones sobre vibraciones

Nivel total de vibraciones (suma vectorial de tres direcciones)

determinado según EN 61029.

Valor de vibraciones generadas a <sub>h</sub> .....	3,1 m/s <sup>2</sup>	3,1 m/s <sup>2</sup>
Tolerancia K = .....	1,5 m/s <sup>2</sup>	1,5 m/s <sup>2</sup>

#### ADVERTENCIA

El nivel vibratorio indicado en estas instrucciones ha sido medido conforme a un método de medición estandarizado en la norma EN 61029, y puede utilizarse para la comparación entre herramientas eléctricas. También es apropiado para una estimación provisional de la carga de vibración.

El nivel vibratorio indicado representa las aplicaciones principales de la herramienta eléctrica. Si, pese a ello, se utiliza la herramienta eléctrica para otras aplicaciones, con útiles adaptables diferentes o con un mantenimiento insuficiente, el nivel vibratorio puede diferir. Esto puede incrementar sensiblemente la carga de vibración durante todo el periodo de trabajo.

Para una estimación exacta de la carga de vibración deberían tenerse en cuenta también los tiempos durante los que el aparato está apagado o, pese a estar en funcionamiento, no está siendo realmente utilizado. Esto puede reducir sustancialmente la carga de vibración durante todo el periodo de trabajo.

Adopte medidas de seguridad adicionales para la protección del operador frente al efecto de las vibraciones, como por ejemplo: mantenimiento de la herramienta eléctrica y de los útiles adaptables, mantener las manos calientes, organización de los procesos de trabajo.

#### ⚠ ADVERTENCIA! Rogamos leer las indicaciones de seguridad y las instrucciones, también las que contiene el folleto adjunto.

En caso de no atenderse a las advertencias de peligro e instrucciones siguientes, ello puede ocasionar una descarga eléctrica, un incendio y/o lesión grave.

Guardar todas las advertencias de peligro e instrucciones para futuras consultas.

#### INSTRUCCIONES DE SEGURIDAD

¡Utilice protección auditiva! La exposición a niveles de ruido excesivos puede causar pérdida de audición

Conecte siempre la máquina a una red protegida por interruptor diferencial y magnetotérmico (FI, RCD, PRCD), para su seguridad personal, según normas establecidas para instalaciones eléctricas de baja tensión.

Desconecte siempre el enchufe antes de llevar a cabo cualquier trabajo en la máquina.

Enchufar la máquina a la red solamente en posición desconectada.

Mantener siempre el cable separado del radio de acción de la máquina.

Utilice el equipamiento de protección. Mientras trabaje con la máquina lleve siempre gafas protectoras. Se recomienda utilizar ropa de protección como máscara protectora contra el polvo, guantes protectores, calzado resistente y antideslizante, casco y protección para los oídos.

Nunca se debe intentar limpiar el polvo o viruta procedente del taladrado con la máquina en funcionamiento.

No manipular en el rodillo ni en las cuchillas con la máquina conectada.

Usar siempre las piezas de protección de la máquina.

No utilizar nunca la amoladora de corte para cortar materiales diferentes a los indicados en las instrucciones de uso.

Transportar la amoladora de corte sólo con el seguro de transporte de la empuñadura enclavado.

Utilizar la amoladora de corte sólo con la cubierta protectora que funcione con seguridad y esté correctamente mantenida. La cubierta protectora debe retroceder automáticamente.

La tuerca de apriete se debe asegurar antes de comenzar a trabajar con la máquina.

No utilizar ningún disco de corte que esté dañado o deformado.

Utilizar y guardar los discos de corte siempre según las especificaciones del fabricante.

Utilice exclusivamente los discos de corte autorizados para su herramienta eléctrica, así como la cubierta protectora prevista. Las muelas abrasivas que no están previstas para su herramienta eléctrica, no se pueden proteger suficientemente y por lo tanto no son seguras.

No utilice ninguna hoja de sierra dentada o de cadena. Este tipo de útiles suelen causar frecuentemente un contragolpe o la pérdida del control sobre la herramienta eléctrica.

Utilice siempre la cubierta protectora. La cubierta protectora debe estar montada de forma segura en la herramienta eléctrica y ajustada de manera que se alcance el máximo grado de seguridad, es decir, la mínima parte posible del disco de corte debe quedar al descubierto dirigida hacia el usuario. La cubierta protectora debe proteger al usuario contra los fragmentos y el contacto accidental con la muela abrasiva.

Los discos de corte y las bridas se deben ajustar exactamente al husillo de su herramienta eléctrica.

Comprobar los discos de corte antes de utilizarlos. El disco de corte debe estar perfectamente montado y debe poder girar libremente. Realizar una marcha de prueba sin carga de al menos 30 segundos. No utilizar discos de corte dañados, excéntricos o vibrantes.

Utilice siempre bridas de sujeción que no estén dañadas, de tamaño y forma correctos para el disco de corte que ha seleccionado. Las bridas adecuadas soportan el disco de corte y reducen el peligro de que se rompa.

Al cortar metales se proyectan chispas. Prestar atención a que no peligre ninguna persona. Debido al peligro de incendio, no debe hallarse ningún material inflamable en su proximidad (zona de proyección de chispas). No utilizar ninguna aspiración de polvo.

No utilice ningún disco de corte dañado. Antes de cada uso controle el disco de corte para detectar posibles astillamientos y grietas, y el disco abrasivo para localizar posibles grietas o gran desgaste.

Después de desconectar, la máquina no se para inmediatamente (marcha en inercia del disco de corte). Esperar hasta que el disco de corte se pare por completo después de la desconexión.

Evite el bloqueo del disco de corte o una presión de apriete demasiado elevada.

En caso de que el disco de corte se agarrote o usted interrumpa el trabajo, desconecte la herramienta eléctrica y espere hasta que se haya parado el disco de corte. No intente nunca extraer de la pieza de trabajo el disco de corte que aún está girando, ya que de lo contrario se puede producir un contragolpe. Averigüe la causa del agarrotamiento y soluciónela.

No vuelva a conectar la herramienta eléctrica, mientras se encuentre dentro de la pieza de trabajo. Deje que el disco de corte alcance su plena velocidad, antes de continuar con cuidado el corte. En caso contrario, el disco puede agarrotarse, saltar fuera de la pieza de trabajo o causar un contragolpe.

La pieza de trabajo a mecanizar se debe fijar firmemente.

Limpie periódicamente las ranuras de ventilación de su herramienta eléctrica. El ventilador del motor introduce polvo en la carcasa, y una gran acumulación de polvo metálico puede causar peligros eléctricos.

Asegúrese de que la máquina se encuentre siempre en una posición segura (p. ej. sujetarla en el banco de trabajo) Apoyar de forma adecuada la pieza a trabajar.

#### APLICACIÓN DE ACUERDO A LA FINALIDAD

La amoladora de corte es apropiada para cortar perfiles metálicos, tubos metálicos y varillas metálicas. La máquina no es apropiada para trabajar la madera.

No utilice este producto para ninguna otra aplicación que no sea su uso normal.

#### DECLARACION DE CONFORMIDAD CE

Declaramos bajo nuestra sola responsabilidad que este producto está en conformidad con las normas o documentos normalizados siguientes. EN 61029, EN 55014-1, EN 55014-2, EN 61000-3-2, EN 61000-3-3, de acuerdo con las regulaciones 2006/42/CE, 2004/108/CE



Winnenden, 2010-09-21

Rainer Kumpf  
Manager Product Development

Autorizado para la redacción de los documentos técnicos.

#### CONEXIÓN ELÉCTRICA

☐ Conectar solamente a corriente AC monofásica y sólo al voltaje indicado en la placa de características. También es posible la conexión a enchufes sin toma a tierra, dado que es conforme a la Clase de Seguridad II.

#### MANTENIMIENTO

Las ranuras de ventilación de la máquina deben estar despejadas en todo momento.

Solo se deben utilizar accesorios y piezas de repuestos Milwaukee. Piezas cuyo recambio no está descrito en las instrucciones de uso, deben sustituirse en un centro de asistencia técnica Milwaukee (Consulte el folleto Garantía/Direcciones de Centros de Asistencia Técnica).

En caso necesario, puede solicitar un despiece de la herramienta. Por favor indique el número de impreso de diez dígitos que hay en la etiqueta y pida el despiece a la siguiente dirección: Milwaukee Electric Tool, Max Eyth Straße 10, D 71364 Winnenden, Germany.

#### SÍMBOLOS



Lea las instrucciones detenidamente antes de conectar la herramienta



Desconecte siempre el enchufe antes de llevar a cabo cualquier trabajo en la máquina.



Para trabajar con la máquina, utilizar siempre gafas de protección.



¡No deseche los aparatos eléctricos junto con los residuos domésticos! De conformidad con la Directiva Europea 2002/96/CE sobre residuos de aparatos eléctricos y electrónicos y su aplicación de acuerdo con la legislación nacional, las herramientas eléctricas cuya vida útil haya llegado a su fin se deberán recoger por separado y trasladar a una planta de reciclaje que cumpla con las exigencias ecológicas.



## CARACTERÍSTICAS TÉCNICAS Rebarbadora apenas CHS 355 (110-120 V) CHS 355 (220-240 V)

Potência absorvida nominal .....	1800 W .....	2300 W .....
Nº de rotações em vazio .....	3800 min <sup>-1</sup> .....	3800 min <sup>-1</sup> .....
Diâmetro do disco de corte .....	355 mm .....	355 mm .....
Diâmetro do furo do disco de corte .....	25,4 mm .....	25,4 mm .....
Peso nos termos do procedimento-EPTA 01/2003.....	17,5 kg.....	17,5 kg .....

### Informações sobre ruído

Valores de medida de acordo com EN 61029.

O nível de ruído avaliado A do aparelho é tipicamente:

Nível da pressão de ruído (K = 3 dB(A)) .....	91 dB (A) .....	94,5 dB (A) .....
Nível da potência de ruído (K = 3 dB(A)) .....	104 dB (A) .....	107,5 dB (A) .....

### Use protectores auriculares!

### Informações sobre vibração

Valores totais de vibração (soma dos vectores das três direcções) determinadas conforme EN 61029.

Valor de emissão da vibração a <sub>h</sub> .....	3,1 m/s <sup>2</sup> .....	3,1 m/s <sup>2</sup> .....
Incerteza K = .....	1,5 m/s <sup>2</sup> .....	1,5 m/s <sup>2</sup> .....

### ATENÇÃO

O nível vibratório indicado nestas instruções foi medido em conformidade com um procedimento de medição normalizado na EN 61029 e pode ser utilizado para comparar entre si ferramentas eléctricas. O mesmo é também adequado para avaliar provisoriamente o esforço vibratório.

O nível vibratório indicado representa as principais aplicações da ferramenta eléctrica. Se, no entanto, a ferramenta eléctrica for utilizada para outras aplicações, com outras ferramentas adaptadas ou uma manutenção insuficiente, o nível vibratório poderá divergir. Isto pode aumentar consideravelmente o esforço vibratório ao longo de todo o período do trabalho.

Para uma avaliação exacta do esforço vibratório devem também ser considerados os tempos durante os quais o aparelho está desligado ou está a funcionar, mas não está efectivamente a ser utilizado. Isto pode reduzir consideravelmente o esforço vibratório ao longo de todo o período do trabalho.

Defina medidas de segurança suplementares para proteger o operador do efeito das vibrações, como por exemplo: manutenção da ferramenta eléctrica e das ferramentas adaptadas, manter as mãos quentes, organização das sequências de trabalho.

**⚠ ATENÇÃO! Leia todas as instruções de segurança e todas as instruções, também aquelas que constam na brochura juntada.** O desrespeito das advertências e instruções apresentadas abaixo pode causar choque eléctrico, incêndio e/ou graves lesões.  
**Guarde bem todas as advertências e instruções para futura referência.**

### INSTRUÇÕES DE SEGURANÇA

**Sempre use a protecção dos ouvidos.** A influência de ruídos pode causar surdez.

Aparelhos não estacionários, utilizados ao ar livre, devem ser protegidos por um disjuntor de corrente de defeito (FI, RCD, PRCD).

Antes de efectuar qualquer intervenção na máquina, tirar a ficha da tomada.

Ao ligar à rede, a máquina deve estar desligada.

Manter sempre o cabo de ligação fora da zona de acção da máquina.

Utilizar equipamento de protecção. Durante os trabalhos com a máquina, usar sempre óculos de protecção. Vestuário de protecção, bem como máscara de pó, sapatos fechados e antiderrapante, capacete e protecção auditiva são recomendados.

Não remover aparas ou lascas enquanto a máquina trabalha.

Não introduza as mãos na área perigosa, estando a máquina em funcionamento.

Nunca utilizar a máquina sem dispositivo de protecção.

Nunca utilizar a rebarbadora para cortar materiais diferentes daqueles indicados no manual de instruções.

Transportar a rebarbadora apenas com o perno de segurança de transporte engatado no punho.

Utilizar a rebarbadora apenas com a tampa de protecção a funcionar em segurança e em bom estado de conservação. A tampa de protecção deve recolher por si própria.

A porca de ajuste deve ser apertada antes de iniciar o trabalho com a máquina.

Não utilizar discos de corte danificados ou deformados.

Utilizar e conservar os discos de corte sempre em conformidade com as indicações do fabricante.

Utilize unicamente os discos de corte aprovados para a sua ferramenta eléctrica e a tampa de protecção prevista. Os discos que não estejam previstos para a ferramenta eléctrica não podem ser suficientemente protegidos e não são seguros.

Não utilize correntes nem serras com dentes. Estas ferramentas acessórias provocam muitas vezes um contragolpe ou a perda do controlo sobre a ferramenta eléctrica.

Utilize sempre a tampa de protecção. A tampa de protecção deve estar colocada na ferramenta eléctrica e encontrar-se ajustada de forma a oferecer a maior segurança, ou seja, deixando exposto para o utilizador a menor parte do disco de corte possível. A tampa de protecção deve proteger o utilizador de fragmentos e de um contacto accidental com o disco.

Os discos de corte e as flanges devem ajustar-se de forma exacta ao fuso de accionamento da sua ferramenta eléctrica.

Testar os discos de corte antes da sua utilização. O disco de corte deve estar montado correctamente e poder rodar livremente. Efectuar um ensaio durante pelo menos 30 segundos sem carga. Não utilizar discos de corte danificados, ovalados ou que vibrem.

Utilize sempre flanges de aperto não danificadas e com o tamanho e a forma correctos para o disco de corte que escolher. Uma flange adequada protege o disco de corte, reduzindo o perigo de quebra do disco.

Ao cortar metal são projectadas faúlhas. Estar atento para não colocar ninguém em perigo. Devido ao perigo de incêndio, não podem encontrar-se materiais inflamáveis nas proximidades (zona de projecção de faúlhas). Não utilizar aspiração de pó.

Não utilize discos de corte danificados. Antes de cada utilização, verifique se o disco de corte apresenta fragmentações ou fissuras, e se o prato de apoio apresenta fissuras ou um grande desgaste.

A máquina não pára de imediato ao ser desligada (inércia do disco de corte). Ao desligar, esperar que o disco de corte pare.

Evite o bloqueamento do disco de corte ou exercer demasiada força de pressão.

Se o disco de corte ficar preso ou se interromper o seu trabalho, desligue a ferramenta eléctrica e espere até que o disco pare. Nunca tente retirar do material o disco ainda em rotação, pois poderá provocar um contragolpe. Verifique e corrija a causa do bloqueamento do disco.

Não volte a ligar a ferramenta eléctrica enquanto ela ainda estiver no material. Deixe que o disco atinja a rotação máxima antes de prosseguir cuidadosamente com o corte. Caso contrário, o disco poderá ficar preso, saltar do material ou provocar um contragolpe.

O material a trabalhar deve ser muito bem fixado.

Limpe regularmente as ranhuras de ventilação da sua ferramenta eléctrica. A ventoinha do motor aspira pó para dentro do corpo da ferramenta, e uma grande acumulação de pó metálico pode originar perigos eléctricos.

Assegure-se que a máquina sempre esteja numa posição segura (por exemplo fixação na bancada de trabalho).

Materiais compridos deverão ser suportados apropriadamente.

### UTILIZAÇÃO AUTORIZADA

A rebarbadora é adequada para cortar perfis metálicos, tubos metálicos e barras metálicas. A máquina não é adequada para trabalhar com madeira.

Não use este produto de outra maneira sem ser a normal para o qual foi concebido.

### DECLARAÇÃO DE CONFORMIDADE CE

Declaramos, sob nossa exclusiva responsabilidade, que este produto cumpre as seguintes normas ou documentos normativos: EN 61029, EN 55014-1, EN 55014-2, EN 61000-3-2, EN 61000-3-3, conforme as disposições das directivas 2006/42/CE, 2004/108/CE



Winnenden, 2010-09-21

Rainer Kumpf  
Manager Product Development

Autorizado a reunir a documentação técnica.

### LIGAÇÃO À REDE

Só conectar à corrente alternada monofásica e só à tensão de rede indicada na placa de potência. A conexão às tomadas de rede sem contacto de segurana também é possível, pois trata-se duma construção da classe de protecção II.

### MANUTENÇÃO

Manter desobstruídos os rasgos de ventilação na carcaça da máquina.

Utilizar unicamente acessórios e peças sobressalentes da Milwaukee. Sempre que a substituição de um componente não tenha sido descrita nas instruções, será de toda a conveniência mandar executar esse trabalho a um Serviço de Assistência Milwaukee (veja o folheto Garantia/Endereços de Serviços de Assistência).

A pedido e mediante indicação da referência de dez números que consta da chapa de características da máquina, pode requerer-se um desenho explosivo da ferramenta eléctrica a: Milwaukee Electric Tool, Max-Eyth-Straße 10, D-71364 Winnenden, Germany.

### SYMBOLE



Leia atentamente o manual de instruções antes de colocar a máquina em funcionamento.



Antes de efectuar qualquer intervenção na máquina, tirar a ficha da tomada.



Usar sempre óculos de protecção ao trabalhar com a máquina.



Não deite ferramentas eléctricas no lixo doméstico! De acordo com a directiva europeia 2002/96/CE sobre ferramentas eléctricas e electrónicas usadas e a transposição para as leis nacionais, as ferramentas eléctricas usadas devem ser recolhidas em separado e encaminhadas a uma instalação de reciclagem dos materiais ecológica.



## TECHNISCHE GEGEVENS

### Doorslijpmachine

### CHS 355 (110-120 V)

### CHS 355 (220-240 V)

Nominaal afgegeven vermogen.....	1800 W	2300 W
Onbelast toerental .....	3800 min <sup>-1</sup>	3800 min <sup>-1</sup>
Doorslijpschijf-Ø .....	355 mm	355 mm
Boor-Ø van de doorslijpschijf .....	25,4 mm	25,4 mm
Gewicht volgens de EPTA-procedure 01/2003.....	17,5 kg	17,5 kg

### Informatie over geluid

Meetwaarden vastgesteld volgens EN 61029.

Het kenmerkende A-gewogen geluidsniveau van de machine bedraagt:

Geluidsdruk niveau (K=3dB(A)) .....	91 dB (A)	94,5 dB (A)
Geluidsvermogen niveau (K=3dB(A)) .....	104 dB (A)	107,5 dB (A)

### Drag oorbeschermers!

### Informatie over trillingen

Totale trillingswaarden (vectorsom van drie richtingen)

bepaald volgens EN 61029.

Trillingsemisiewaarde a.....	3,1 m/s <sup>2</sup>	3,1 m/s <sup>2</sup>
Onzekerheid K = .....	1,5 m/s <sup>2</sup>	1,5 m/s <sup>2</sup>

## WAARSCHUWING

De in deze aanwijzingen vermelde trillingsdruk is gemeten volgens een in EN 61029 genormeerde meetmethode en kan worden gebruikt voor de onderlinge vergelijking van apparaten. Hij is ook geschikt voor een voorlopige inschatting van de trillingsbelasting.

De aangegeven trillingsdruk geldt voor de meest gebruikelijke toepassingen van het elektrische apparaat. Wanneer het elektrische gereedschap echter voor andere doeleinden, met andere dan de voorgeschreven hulpstukken gebruikt of niet naar behoren onderhouden wordt, kan de trillingsdruk afwijken. Dit kan de waarde van de trillingsdruk over de hele werkperiode aanzienlijk verhogen.

Voor een nauwkeurige inschatting van de trillingsdruk moeten ook de tijden in aanmerking worden genomen dat het apparaat uitgeschakeld is of weliswaar loopt, maar niet werkelijk in gebruik is. Dit kan de waarde van de trillingsdruk over de hele werkperiode aanzienlijk verminderen.

Bepaal extra veiligheidsmaatregelen ter bescherming van de bediener tegen de inwerking van trillingen, bijvoorbeeld: onderhoud van elektrische gereedschappen en apparaten, warmhouden van de handen, organisatie van de werkprocessen.

**⚠ WAARSCHUWING! Lees alle veiligheidsinstructies en aanwijzingen door - ook die in de bijgeleverde brochure.** Als de waarschuwingen en voorschriften niet worden opgevolgd, kan dit een elektrische schok, brand of ernstig letsel tot gevolg hebben.  
**Bewaar alle waarschuwingen en voorschriften voor toekomstig gebruik.**

## VEILIGHEIDSADVIEZEN

**Drag oorbeschermers.** Blootstelling aan geluid kan het gehoor beschadigen.

Verplaatsbaar gereedschap moet bij het gebruik buiten aan een aardlekschakelaar (FI,RCD,PRCD) aangesloten worden.

Voor alle werkzaamheden aan de machine de stekker uit de kontaktdoos trekken.

Machine alleen uitgeschakeld aan het net aansluiten.

Snoer altijd buiten werkbereik van de machine houden.

Drag veiligheidsuitrusting. Bij werkzaamheden met de machine dient u altijd een veiligheidsbril te dragen.

Veiligheidskleding zoals stofmasker, veiligheidshandschoenen, stevig en slipvast schoeisel, helm en gehoorbescherming worden aanbevolen.

Spanen of splinters mogen bij draaiende machine niet worden verwijderd.

Niet aan de draaiende delen komen.

Bescherming van de machine beslist gebruiken.

Gebruik de doorslijpmachine nooit voor het doorslijpen van andere materialen dan in de gebruiksaanwijzing vermeld staan.

Transporteer de doorslijpmachine alleen met vergrendelde transportbeveiliging aan de handgreep.

Gebruik de doorslijpmachine alléén met veilig functionerende en goed onderhouden veiligheidskap. De veiligheidskap moet zelfstandig terugzwenken.

De flensmoer moet vóór de ingebruikname van de machine aangetrokken zijn.

Gebruik geen beschadigde of vervormde doorslijpschijven.

Gebruik en bewaar de doorslijpschijven altijd volgens de instructies van de fabrikant.

Gebruik uitsluitend de voor uw elektrische apparaat goedgekeurde doorslijpschijven en de aangebrachte veiligheidskap. Slijpschijven die niet voor uw elektrische apparaat bedoeld zijn, kunnen niet voldoende afgeschermd worden en zijn onveilig.

Gebruik géén kettingzaagblad of getand zaagblad. Dergelijke apparaten veroorzaken vaak een terugslag, hetgeen tot controleverlies over het elektrische apparaat kan leiden.

Gebruik altijd een veiligheidskap. De kap moet veilig aan het elektrische apparaat bevestigd en zodanig ingesteld zijn dat een maximum aan veiligheid wordt bereikt, d.w.z. het kleinste mogelijke deel van het slijpgereedschap wijst open naar de gebruiker. De veiligheidskap moet de gebruiker tegen afgebroken stukken en toevallig contact met het slijpgereedschap beschermen.

Doorslijpschijven en flenzen moeten exact op de slijpspil van uw elektrische apparaat passen.

Controleer de doorslijpschijven vóór het gebruik. De doorslijpschijf moet correct gemonteerd zijn en goed kunnen draaien. Laat de machine minstens 30 seconden onder nullast proefdraaien. Beschadigde, uit balans rakende of trillende doorslijpschijven mogen niet meer worden gebruikt.

Gebruik altijd onbeschadigde spanflenzen in de juiste grootte en vorm voor de door u gekozen doorslijpschijf. Een goed passende flens steunt de doorslijpschijf en vermindert zo het gevaar voor het breken van de doorslijpschijf.

Bij het doorslijpen van materialen ontstaat een vonkenregen. Let erop dat geen gevaar kan bestaan voor personen. Vanwege het brandgevaar mogen zich geen brandbare materialen in de buurt (bereik van de vonkenregen) bevinden. Gebruik geen stofafzuiging.

Gebruik geen beschadigde doorslijpschijven. Controleer de doorslijpschijf vóór elk gebruik op afsplinteringen en scheuren en de slijpschotel op scheuren, slijtage of ernstige gebruikssporen.

Na het uitschakelen komt de machine niet onmiddellijk tot stilstand (naloop van de doorslijpschijf). Wacht tot de doorslijpschijf na het uitschakelen tot stilstand komt.

Vermijd blokkeren van de doorslijpschijf of te hoge aanpersdruk.

Schakel het elektrische apparaat uit en wacht tot de schijf tot stilstand komt, wanneer de doorslijpschijf klem raakt of u het werk wilt onderbreken. Probeer nooit om de nog lopende doorslijpschijf uit het werkstuk te trekken - dit zou een terugslag kunnen veroorzaken. Stel de oorzaak voor het klemmen vast en verhelp deze.

Schakel het elektrische apparaat niet opnieuw in zolang de doorslijpschijf nog in het werkstuk steekt. Laat de doorslijpschijf eerst op vol toerental komen voordat u voorzichtig doorgaat met het doorslijpen. Als dat niet gebeurt, kan de schijf klem raken, uit het werkstuk springen of een terugslag veroorzaken.

Het te slijpen werkstuk moet vast gespannen worden.

Reinig regelmatig de luchtopeningen van het elektrische apparaat. De motorventilator trekt stof in de behuizing en een opeenhoping van metaalstof kan elektrotechnisch gezien gevaar veroorzaken.

Waarborg dat de machine altijd veilig staat (bijv. op de werkbank bevestigen).

Lange werkstukken moeten goed gesteund worden.

## VOORGESCHREVEN GEBRUIK VAN HET SYSTEEM

De doorslijpmachine is geschikt voor het inkorten van metalen profielen, metalen buizen en metalen staven. De machine is niet geschikt voor het bewerken van hout.

Dit apparaat uitsluitend gebruiken voor normaal gebruik, zoals aangegeven.

## EC - VERKLARING VAN OVEREENSTEMMING

Wij verklaren dat dit produkt voldoet aan de volgende normen of normatieve documenten: EN 61029, EN 55014-1, EN 55014-2, EN 61000-3-2, EN 61000-3-3, overeenkomstig de bepalingen van de richtlijnen 2006/42/EG, 2004/108/EG




Winnenden, 2010-09-21

Rainer Kumpf  
Manager Product Development

Gemachtigd voor samenstelling van de technische documenten

## NETAANSLUITING

 Uitsluitend op éénfase-wisselstroom en uitsluitend op de op het typeplaatje aangegeven netspanning aansluiten. Aansluiting is ook mogelijk op een stekerdooz zonder aardcontact mogelijk, omdat het is ontworpen volgens veiligheidsklasse II.

## ONDERHOUD

Altijd de luchtspleten van de machine schoonhouden.

Alleen Milwaukee toebehoren en onderdelen gebruiken. Onderdelen welke niet vermeld worden, kunnen het beste door de Milwaukee servicedienst verwisseld worden (zie Serviceadressen).

Onder vermelding van het tiencijferige nummer op het machineplaatje is desgewenst een doorsnedetekening van de machine verkrijgbaar bij: Milwaukee Electric Tool, Max-Eyth-Straße 10, D-71364 Winnenden, Germany.

## SYMBOLEN



Graag instructies zorgvuldig doorlezen vóórdat u de machine in gebruik neemt.



Voor alle werkzaamheden aan de machine de stekker uit de kontaktdoos trekken.



Bij het werken met de machine altijd een veiligheidsbril dragen.



Geef elektrisch gereedschap niet met het huisvuil mee! Volgens de Europese richtlijn 2002/96/EG inzake oude elektrische en elektronische apparaten en de toepassing daarvan binnen de nationale wetgeving, dient gebruikt elektrisch gereedschap gescheiden te worden ingezameld en te worden afgevoerd naar een recycle bedrijf dat voldoet aan de geldende milieu-eisen.

TEKNISKE DATA	Overskæringsmaskinen	CHS 355 (110-120 V)	CHS 355 (220-240 V)
Nominel optagen effekt.....	1800 W	2300 W	
Omdrejningstal, ubelastet.....	3800 min <sup>-1</sup>	3800 min <sup>-1</sup>	
Kapskive-ø.....	355 mm	355 mm	
Kapskivens borings-ø.....	25,4 mm	25,4 mm	
Vægt svarer til EPTA-procedure 01/2003.....	17,5 kg	17,5 kg	

### Støjinformation

Måleværdier beregnes iht. EN 61029.

Værktøjets A-vurderede støjniveau er typisk:

Lydtrykniveau (K=3 dB(A)).....	91 dB (A)	94,5 dB (A)
Lydeffekt niveau (K=3 dB(A)).....	104 dB (A)	107,5 dB (A)

### Brug høreværn!

### Vibrationsinformation

Samlede vibrationsværdier (værdisum for tre retninger) beregnet iht. EN 61029.

Vibrationseksponering a:.....	3,1 m/s <sup>2</sup>	3,1 m/s <sup>2</sup>
Usikkerhed K = .....	1,5 m/s <sup>2</sup>	1,5 m/s <sup>2</sup>

### ADVARSEL

Svingningsniveauet, som er angivet i disse anvisninger, er målt i henhold til standardiseret måleprocedure ifølge EN 61029 og kan anvendes til indbyrdes sammenligning mellem el-værktøjer. Svingningsniveauet er ligeledes egnet som foreløbigt skøn over svingningsbelastningen.

Det angivne svingningsniveau er baseret på el-værktøjets primære anvendelsesformål. Hvis el-værktøjet benyttes til andre formål, med andet indsatsværktøj eller ikke vedligeholdes tilstrækkeligt, kan svingningsniveauet afvige. Dette kan øge svingningsbelastningen over den samlede arbejdsperiode betydeligt.

For en nøjagtig vurdering af svingningsbelastningen skal der også tages højde for de tidsperioder, hvor apparatet er slukket, eller hvor apparatet kører, men uden at være i anvendelse. Dette kan reducere svingningsbelastningen over den samlede arbejdsperiode betydeligt.

Supplerende sikkerhedsforanstaltninger til beskyttelse af brugeren mod påvirkninger fra svingninger skal iværksættes, f.eks.: Vedligeholdelse af el-værktøj og indsatsværktøj, varmholdelse af hænder, organisering af arbejdsprocesser.

**⚠ ADVARSEL! Læs alle sikkerhedsanvisninger og øvrige vejledninger, også i den vedlagte brochure.** I tilfælde af manglende overholdelse af advarselshenvisningerne og instrukserne er der risiko for elektrisk stød, brand og/eller alvorlige kvæstelser. **Opbevar alle advarselshenvisninger og instrukser til senere brug.**

### SIKKERHEDSHENVISNINGER

**Bær høreværn.** Støjpåvirkning kan bevirke tab af hørelse.

Stikdåser udenørs skal være forsynet med fejlstrømssikringskontakter (FI,RCD,PRCD). Det forlanger installationsforskriften for Deres elektroanlæg. Overhold dette, når De bruger vores maskiner.

Før ethvert arbejde ved maskinen skal stikket tages ud af stikdåsen.

Maskinen slutes kun udkoblet til stikdåsen.

Tilslutningskablet holdes hele tiden væk fra maskinens arbejdsområde. Kablet ledes altid bort bag om maskinen.

Brug beskyttelsesudstyr. Bær altid sikkerhedsbriller, når du arbejder med maskinen. Vi anbefaler desuden brug af personlig beskyttelsesudrustning, såsom støvmaske, sikkerhedshandsker, fast og skridsikkert skotøj, hjelm og høreværn.

Spåner eller splinter må ikke fjernes, medens maskinen kører.

Pas på ikke at få hånden ind i maskinen.

Maskinens sikkerhedsindretning bør ubetinget benyttes.

Brug aldrig overskæringsmaskinen til overskæring af materialer, der ikke er nævnt i betjeningsvejledningen.

Overskæringsmaskinen skal transporteres med håndtaget med transportsikringen i indgreb.

Brug kun overskæringsmaskinen, hvis beskyttelseskappen fungerer sikkert og er i god stand. Beskyttelseskappen skal svinge tilbage af sig selv.

Flangemøtrikken skal spændes inden maskinen tages i brug.

Brug ikke kapskiver, som er beskadigede eller deformede.

Kapskiver skal altid anvendes og opbevares således som angivet af producenten.

Brug kun kapskiver, som er godkendt til dit el-værktøj, samt den dertil beregnede beskyttelseskappe. Slibeskiver, som ikke er beregnet til el-værktøjet, vil ikke kunne afskærmes ordentligt og er ikke sikre at anvende.

Brug ikke kæde- eller tandklinger. Sådanne indsatsværktøjer forårsager ofte rekylslag eller tab af kontrol over el-værktøjet.

Brug altid beskyttelseskappen. Beskyttelseskappen skal være anbragt sikkert på el-værktøjet og være således indstillet, at der opnås et højestemål af sikkerhed, dvs. den mindst mulige del af kapskiven vender åbent mod brugeren. Beskyttelseskappen skal beskytte brugeren mod brudstykker og vilkårlig kontakt med slibeskiven.

Kapskiver og flanger skal passe nøjagtigt ind på el-værktøjets slibespindel.

Tjek kapskiverne før brug. Kapskiven skal være korrekt monteret og kunne dreje frit. Foretag først en testkørsel uden belastning i mindst 30 sekunder. Beskadigede, urunde eller vibrerende kapskiver skal kasseres.

Brug altid intakte spændeflanger i den rigtige størrelse og form i forhold til den kapskive, du har valgt. Egnede flanger støtter kapskiven og nedsætter dermed faren for brud på kapskiven.

Ved skæring i metal opstår der flyvende gnister. Pas på, at ingen personer kommer i fare. På grund af brandfaren må der ikke befinde sig brandbare materialer i nærheden (gnistzone). Undlad brug af støvudsugning.

Beskadigede kapskiver må ikke anvendes. Kontroller hver gang før anvendelse kapskiven for afsplintninger og revner, tallerkenslibeskiver for revner, slitage eller kraftig nedslidning.

Når maskinen slukkes, standser den ikke med det samme (kapskiven har efterløb). Vent på at kapskiven står stille, efter at du har slukket.

Undgå, at kapskiven blokerer eller presses for kraftigt.

Hvis kapskiven sidder i klemme, eller du afbryder arbejdet, skal du slukke el-værktøjet og vente, indtil skiven står stille. Prøv aldrig at trække kapskiven ud af arbejdsemnet, mens den kører rundt, idet der er fare for returslag. I tilfælde af fastklemning skal årsagen findes og problemet afhjælpes.

Tænd ikke el-værktøjet igen, mens det stadig befinder sig i arbejdsemnet. Lad kapskiven nå op på sit fulde omdrejningstal, inden du forsigtigt fortsætter snittet. Ellers kan skiven sætte sig fast, hoppe ud af arbejdsemnet eller forårsage returslag.

Arbejdsemnet skal spændes fast inden bearbejdningen.

Rengør jævnligt el-værktøjets ventilationsprækker.

Motorblæseren trækker støv ind i huset og en kraftig ophobning af metalstøv kan udgøre en elektrisk risiko.

Sørg for, at maskinen altid står stabilt (fastgør den f.eks. på arbejdsbænken).

Lange emner skal støttes af på passende måde.

### TILTÆNKT FORMÅL

Overskæringsmaskinen er egnet til afkortning af metalprofiler, metalrør og metalstænger. Maskinen egner sig ikke til træbearbejdning.

Produktet må ikke anvendes på anden måde og til andre formål end foreskrevet.

### CE-KONFORMITETSERKLÆRING

Vi erklærer under almindeligt ansvar, at dette produkt er i overensstemmelse med følgende normer eller norma-tive dokumenter. EN 61029, EN 55014-1, EN 55014-2, EN 61000-3-2, EN 61000-3-3, i henhold til bestemmelserne i direktiverne 2006/42/EF, 2004/108/EF



Winnenden, 2010-09-21

Rainer Kumpf  
Manager Product Development

Autoriseret til at udarbejde de tekniske dokumenter.

### NETTILSLUTNING

Tilslutning må kun foretages til enfasnet vekselstrøm og kun til en netspænding, som er i overensstemmelse med angivelsen på mærkepladen. Tilslutning kan også ske til stikdåser uden beskyttelseskontakt, da kapslingsklasse II foreligger.

### VEDLIGEHOLDELSE

Hold altid maskinens ventilationsåbninger rene.

Brug kun Milwaukee tilbehør og reservedele. Lad de komponenter, hvis udskiftning ikke er blevet beskrevet, udskifte hos Atlas Copco service (se kundeserviceadresser).

Ved opgivelse af type nr. der er angivet på maskinens effektskilt, kan De rekvirere en reservedelstegning, ved henvendelse til: Milwaukee Electric Tool, Max-Eyth-Straße 10, D-71364 Winnenden, Germany.

### SYMBOLER



Læs brugsanvisningen nøje før ibrugtagning.



Før ethvert arbejde ved maskinen skal stikket tages ud af stikdåsen.



Når der arbejdes med maskinen, skal man have beskyttelsesbriller på.



Elværktøj må ikke bortskaffes som almindeligt affald! I henhold til det europæiske direktiv 2002/96/EF om bortskaffelse af elektriske og elektroniske produkter og gældende national lovgivning skal brugt I-værktøj indsamles separat og bortskaffes på en måde, der skåner miljøet mest muligt.

TEKNISKE DATA	Kappemaskine	CHS 355 (110-120 V)	CHS 355 (220-240 V)
Nominell inngangseffekt .....	1800 W .....	2300 W .....	2300 W .....
Tomgangsturtall .....	3800 min <sup>-1</sup> .....	3800 min <sup>-1</sup> .....	3800 min <sup>-1</sup> .....
Skilleskive - ø .....	355 mm .....	355 mm .....	355 mm .....
Borings - ø til skilleskiven .....	25,4 mm .....	25,4 mm .....	25,4 mm .....
Vekt i henhold til EPTA-Prosedyren 01/2003 .....	17,5 kg .....	17,5 kg .....	17,5 kg .....

### Støyinformasjon

Måleverdier fastslått i samsvar med EN 61029.

Det typiske A-bedømte støynivået for maskinen er:

Lydtryknivå (K = 3 dB(A)) .....	91 dB (A) .....	94,5 dB (A) .....
Lydefektnivå (K = 3 dB(A)) .....	104 dB (A) .....	107,5 dB (A) .....

### Bruk hørselsvern!

### Vibrasjonsinformasjon

Totale svingningsverdier (vektorsum fra tre retninger) beregnet jf. EN 61029.

Svingningsemisjonsverdi a <sub>w</sub> .....	3,1 m/s <sup>2</sup> .....	3,1 m/s <sup>2</sup> .....
Usikkerhet K = .....	1,5 m/s <sup>2</sup> .....	1,5 m/s <sup>2</sup> .....

### ADVARSEL

Svingningsnivået som er angitt i denne instruksjonen er målt i overensstemmelse med målemetoden normert i direktiv EN 61029 og kan brukes til å sammenligne elektromaskiner med hverandre. Den egner seg også for en foreløbig vurdering av svingningsbelastningen.

Det angitte svingningsnivået representerer de hovedsaklige bruk av elektroverktøyet. Men anvendes elektroverktøyet for andre bruk med avvikende utskiftbare verktøy eller vedlikeholdet er utilstrekkelig, kan svingningsnivået være avvikende.

Dette kan forhøye svingningsbelastning betydelig over hele arbeidsperioden. For en nøyaktig vurdering av svingningsbelastningen må også det tas hensyn til tiden apparatet er avslått eller står på, men ikke er i bruk. Dette kan redusere svingningsbelastningen betydelig over hele arbeidsperioden.

Innfør også ekstra sikkerhetstiltak for å beskytte bruker mot utvirkingen av svingningene. Disse kan f.eks. være: vedlikehold av elektroverktøyet og det utskiftbare verktøyet, holde hendene varme, organisasjon av arbeidsforløpet.

**⚠ ADVARSEL! Les alle sikkerhetsinstruksjoner og bruksanvisninger, også de i den vedlagte brosjyren.** Feil ved overholdelsen av advarslene og nedenstående anvisninger kan medføre elektriske støt, brann og/eller alvorlige skader.  
**Ta godt vare på alle advarslene og informasjonene.**

### SPEIELLE SIKKERHETSHENVISNINGER

**Bruk hørselsvern.** Støy kan føre til tap av hørselen

Stikkontakter utendørs må være utstyrt med feilstrøm-sikkerhetsbryter (FI, RCD, PRCD). Dette forlanges av installasjonsforskriften for elektroanlegg. Vennligst følg dette når du bruker vårt apparat.

Trekk støpslet ut av stikkontakten før du begynner arbeider på maskinen.

Maskinen må være slått av når den koples til stikkontakten. Hold ledningen alltid vekk fra maskinens virkeområde. Før ledningen alltid bakover fra maskinen.

Bruk vernebekledning. Ta alltid på vernebrille ved bruk av maskinen. Vernebekledning så vel som støvmaske, vernehansker, fast og sklissikkert skotøy, hjem og hørselsvern er anbefalt.

Spon eller fliser må ikke fjernes mens maskinen er i gang.

Ikke grip inn i fareområdet mens maskinen er i gang.

Bruk alltid maskinens beskyttelsesinnretninger.

Bruk aldri kappemaskinen til skjæring av materialer som ikke er angitt i bruksanvisningen.

Transporter kappemaskinen bare med låst transportsikring på håndtaket.

Bruk kappemaskinen bare med sikker funksjonerende og godt vedlikeholdt vernehette. Vernehetten skal automatisk svinge tilbake.

Flensmutteren må være trukket til før maskinen startes.

Bruk aldri skilleskiver som er skadet eller deformert.

Skilleskivene skal alltid brukes og oppbevares slik der er angitt av produsenten.

Bruk utelukkende deleskiver som er tillatte for ditt elektroverktøy og tilhørende vernehette. Slipeenheter som ikke passer, kan ikke avskjermes tilstrekkelig og er derfor usikre.

Bruk ikke sagblad med kjede eller tanning. Slike elektroverktøy forårsaker ofte et tilbakeslag eller tap av kontrollen over elektroverktøyet.

Bruk alltid vernehetten. Den skal være festet sikkert på elektroverktøyet og innstilt slik at maksimal sikkerhet blir nådd, dvs. at bare en minst mulig del av skiven er synlig for bruker. Vernehetten skal beskytte bruker mot bruddstykker og tilfeldig kontakt med slipeelementet.

Skilleskivene og flensene skal passe eksakt på slipespindelen til ditt elektroverktøy.

Kontroller kappeskivene før bruk. Skilleeskivene skal være korrekt montert og skal kunne beveges uten motstand. Test verktøyet først i 30 sekund uten belastning. Skadete, ikke runde eller vibrerende skilleeskiver skal ikke brukes.

Bruk alltid uskadde spennflens i riktig størrelse og form for den valgte skilleskiven. Egnete flense støtter skilleskiven og forminsker slik faren for at skiven brykker.

Ved deling av metall oppstår gnister. Pass på at ingen personer kommer til skade. Pga av brannfare skal de ikke befinne seg brennbart material i nærheten (i gnistregnområdet). Bruk ikke støvoppsuging.

Bruk ingen skadete skilleskiver. Kontroller før hver bruk skilleskiven på avslitting og riss, slipetallerkenen på slitasje og sterk avslitting.

Maskinen stopper ikke med en gang den blir slått av (etterdreining av skilleeskiven). Vent til skilleskiven står stille.

Forhindre at skilleskiven blokkerer eller utsettes for høy kontakttrykk.

Dersom skilleskiven blir klemt fast eller du avbryter arbeidet skal elektroverktøyet slås av og det skal ventes til står stille. Forsøk aldri å trekke ut en skilleskive som ennå er i bevegelse, for det kan resultere i et tilbakeslag. Finn årsaken til at skiven er klemt fast og fjern feilen.

Ikke slå på elektroverktøyet igjen så lenge det befinner i arbeidsstykket. La skilleskiven nå sitt maksimale omdreiningstall før snittet forsiktig blir fortsatt. Ellers kan skiven hekte seg fast, hoppe ut av arbeidsstykke eller forårsake et tilbakeslag.

Arbeidsstykke som man jobber med skal være fastspent.

Rens regelmessig luftpåringene til elektroverktøyet. Motorviften trekker støv inni kassen og en stor ansamling av metallstøv kan forårsake elektrisk fare.

Kontroller at maskinen alltid står stabilt (f. eks at den er festet på arbeidsbenken).

Langt materiale skal støttet på egnet måte.

### FORMÅLSMESSIG BRUK

Verktøyet er egnet for avkorting av metallprofiler, metallrør og metallpinner. Denne maskinen er ikke egnet for trearbeid.

Dette apparatet må kun brukes til de oppgitte formål.

### CE-SAMSVARERKLÆRING

Vi erklærer på eget ansvar at dette produktet stemmer overens med de følgende normer eller normative dokumenter. EN 61029, EN 55014-1, EN 55014-2, EN 61000-3-2, EN 61000-3-3, i henhold til bestemmelsene i direktivene 2006/42/EF, 2004/108/EF



Winnenden, 2010-09-21

Rainer Kumpf  
Manager Product Development

Autorisert til å utarbeide den tekniske dokumentasjonen

### NETTILKOPLING

Skal bare tilsluttes enfasevekselstrøm og bare til den på skiltet angitte nettspenning. Tilslutning til stikkontakter uten jordet kontakt er mulig fordi beskyttelse beskyttelsesklasse II er forhanden.

### VEDLIKEHOLD

Hold alltid luftpåringene på maskinen rene.

Bruk kun Milwaukee tilbehør og reservedeler. Komponenter der utskifting ikke er beskrevet skal skiftes ut hos Milwaukee kundeservice (se brosjyre garanti/ kundeserviceadresser).

Ved behov kan du be om en eksplosjonstegning av apparatet hos din kundeservice eller direkte hos Milwaukee Electric Tool, Max-Eyth-Straße 10, D-71364 Winnenden, Germany. Oppgi maskintype og det tilsifrete nummeret på typeskiltet.

### SYMBOLER



Les nøye gjennom bruksanvisningen før maskinen tas i bruk.



Trekk støpslet ut av stikkontakten før du begynner arbeider på maskinen.



Bruk alltid vernebrille når du arbeider med maskinen.



Kast aldri elektroverktøy i husholdningsavfall! I henhold til EU-direktiv 2002/96/EF om kasserte elektriske og elektroniske produkter og direktivets iverksetting i nasjonal rett, må elektroverktøy som ikke lenger skal brukes, samles separat og returneres til et miljøvennlig gjenvinningsanlegg.



TEKNISKA DATA	Kapmaskinen	CHS 355 (110-120 V)	CHS 355 (220-240 V)
Nominell upptagen effekt	1800 W	2300 W	2300 W
Obelastat varvtal	3800 min <sup>-1</sup>	3800 min <sup>-1</sup>	3800 min <sup>-1</sup>
Kapskive-Ø	355 mm	355 mm	355 mm
Kapskivans hål-Ø	25,4 mm	25,4 mm	25,4 mm
Vikt enligt EPTA 01/2003	17,5 kg	17,5 kg	17,5 kg

#### Bullerinformation

Mätvärdena har tagits fram baserade på EN 61029.

A-värdet av maskinens ljudnivå utgör:

Ljudtrycksnivå (K=3 dB(A))	91 dB (A)	94,5 dB (A)
Ljudeffektsnivå (K=3 dB(A))	104 dB (A)	107,5 dB (A)

#### Använd hörselskydd!

#### Vibrationsdata

Totala vibrationsvärden (vektorsumma ur tre riktningar) framtaget enligt EN 61029.

Vibrationsemissionsvärde a <sub>h</sub>	3,1 m/s <sup>2</sup>	3,1 m/s <sup>2</sup>
Onoggrannhet K =	1,5 m/s <sup>2</sup>	1,5 m/s <sup>2</sup>

#### VARNING

Den i de här anvisningarna angivna vibrationsnivån har uppmätts enligt ett i EN 61029 normerat mätförfarande och kan användas vid jämförelse mellan olika elverktyg. Nivån är även lämplig att använda vid en preliminär bedömning av vibrationsbelastningen.

Den angivna vibrationsnivån representerar den huvudsakliga användningen av det aktuella elverktyget. Men om elverktyget ska användas i andra användningsområden, tillsammans med avvikande insatsverktyg eller efter otillräckligt underhåll, kan vibrationsnivån skilja sig. Det kan öka vibrationsbelastningen betydligt under hela arbetstiden.

För att få en exaktare bedömning av vibrationsbelastningen ska även den tid beaktas, under vilken elverktyget är avstängt eller är påslaget, utan att det verkligen används. Det kan reducera vibrationsbelastningen betydligt under hela arbetstiden.

Lägg som skydd för användaren fast extra säkerhetsåtgärder mot vibrationernas verkan, som till exempel: underhåll av elverktyg och insatsverktyg, varmhållning av händer och organisering av arbetsförlopp.

**⚠ VARNING! Läs alla säkerhetsanvisningar och andra tillhörande anvisningar, även de i den medföljande broschyren.** Fel som uppstår till följd av att anvisningarna nedan inte följts kan orsaka elstöt, brand och/eller allvarliga kroppsskador.

**Förvara alla varningar och anvisningar för framtida bruk.**

#### SÄKERHETSUTRUSTNING

**Bär hörselskydd.** Bullerbelastning kan orsaka hörselskador.

Anslut alltid verktyget till via en felströmbrytare (FI, RCD, PRCD) vid användning utomhus.

Drag alltid ur kontakten när du utför arbeten på maskinen.

Maskinen skall vara fränkopplad innan den anslutes till väggurtag.

Nätkabeln skall alltid hållas ifrån arbetsområdet. Lägg kabeln bakåt i förhållande till arbetsriktningen.

Använd skyddsutrustning. Använd alltid skyddsglasögon när du använder maskinen. Som skyddsutrustning rekommenderar vi t ex en dammskyddsmask, skyddshandskar, stabila och halksäkra skor, hjälm och hörselskydd.

Avlägsna aldrig spån eller flisor när maskinen är igång.

Lakttag största försiktighet när maskinen är igång.

Använd alltid maskinens skyddsanordningar.

Använd aldrig kapmaskinen för skärning av andra material än de som anges i bruksanvisningen.

Transportera kapmaskinen endast i handtaget med transportsäkringens aktiverad.

Använd kapmaskinen endast med säkert fungerande och väl underhållna skyddskåpa. Skyddskåpan måste svänga tillbaka själv.

Flänsmuttern skall vara åtdragen innan start av maskinen.

Använd aldrig en kapskiva som är skadad eller deformerad.

Använd och förvara alltid kapskivor enligt tillverkarens uppgifter.

Använd endast sådana kapskivor som är godkända för din maskin och den avsedda skyddskåpan. Slippskivor som inte är avsedda för din maskin kan inte skäras av tillräckligt och är därmed osäkra att använda.

Använd inga kedjesågblad eller tandade sågblad. Den typen av verktyg förorsakar ofta en rekyll eller att man förlorar kontrollen över maskinen.

Använd alltid skyddskåpan. Skyddskåpan måste sitta fast ordentligt på maskinen och vara inställd så att en så hög säkerhet som möjligt uppnås, det vill säga att en så liten del som möjligt av kapskivan ligger öppen mot användaren. Skyddskåpan ska skydda användaren mot lossade bitar och eventuell kontakt med slippskivan.

Kapskivor och flänsar måste passa exakt på maskinens slippspindel.

Kontrollera kapskivan innan den används. Kapskivan måste vara korrekt monterad och kunna rotera fritt. Provkör den i minst 30 sekunder utan belastning. Använd inga skadade, asymmetriska eller vibrerande kapskivor.

Använd alltid oskadade spännflänsar i rätt storlek och form för den av dig valda kapskivan. Passande flänsar fungerar som ett stöd för kapskivan och reducerar därmed risken för ett brott på kapskivan.

Vid kapning av metall bildas det gnistor. Se då till att ingen person utsätts för gnistorna. På grund av brandrisken får det inte finnas något brännbart material i närheten av gnistområdet. Använd inget dammsug.

Använd inte skadade kapskivor. Kontrollera före varje användning att det inte har lossat några bitar från kapskivan och att det inte finns några sprickor på den samt att sliptallriken inte har några sprickor och att den inte är alltför sliten.

Maskinen stannar inte direkt efter att den har stängts av (kapskivan fortsätter att rotera en stund). Vänta in att kapskivan står stilla efter avstängningen.

Undvik att blockera kapskivan eller att utsätta den för högt presstryck.

Stäng av maskinen och vänta tills att kapskivan har stannat helt, om kapskivan klämmer eller om du vill avbryta arbetet. Försök aldrig att dra ut en roterande kapskiva ur arbetsstycket, eftersom det kan resultera i en rekyll. Fastställ och åtgärda orsaken till fastklämningen.

Slå inte på maskinen igen, om kapskivan sitter fast i arbetsstycket. Låt kapskivan nå sitt fulla varvtal, innan du fortsätter att skära. I annat fall kan kapskivan fastna, hoppa ut ur arbetsstycket eller förorsaka en rekyll.

Det arbetsstycke som ska bearbetas måste vara fastspänt. Rengör maskinens ventilationsöppningar regelbundet. Motorfläkten drar in damm i höljet, vilket leder till en kraftig ansamling av metalldamm som i sin tur kan förorsaka elektriska faror.

Se till att maskinen alltid står stadigt (t.ex. genom att fästa den på arbetsbänken).

Stötta långa arbetsstycken på lämpligt sätt .

#### ANVÄND MASKINEN ENLIGT ANVISNINGARNA

Kapmaskinen är avsedd för kapning av metallprofil, metallrör och metallstavar. Den är inte avsedd för bearbetning av trä.

Maskinen får endast användas för angiven tillämpning.

#### CE-FÖRSÄKRAN

Vi intygar och ansvarar för, att denna produkt överensstämmer med följande norm och dokument EN 61029, EN 55014-1, EN 55014-2, EN 61000-3-2, EN 61000-3-3, enl. bestämmelser och riktlinjerna 2006/42/EG, 2004/108/EG



Winnenden, 2010-09-21

Rainer Kumpf  
Manager Product Development

Befullmäktigad att sammanställa teknisk dokumentation.

#### NÄTANSLUTNING

Får endast anslutas till 1-fas växelström och till den spänning som anges på dataskylten. Anslutning kan även ske till eluttag utan skyddskontakt, eftersom konstruktionen motsvarar skyddsklass II.

#### SKÖTSEL

Se till att motorhöljets luftslitsar är rena.

Använd endast Milwaukee tillbehör och reservdelar. Reservdelar vars utbyte ej beskrivs bytes bäst av Milwaukee auktoriserad serviceverkstad (se broschyr Garanti/ Kundtjänstadresser).

Vid behov av sprängskiss, kan en sådan, genom att uppge maskinens art. nr. (som finns på typskylten) erhållas från: Milwaukee Electric Tool, Max-Eyth-Straße 10, D-71364 Winnenden, Germany.

#### SYMBOLER



Läs instruktionen noga innan du startar maskinen.



Drag alltid ur kontakten när du utför arbeten på maskinen.



Använd alltid skyddsglasögon.



Elektriska verktyg får inte kastas i hushållssoporna! Enligt direktivet 2002/96/EG som avser äldre elektrisk och elektronisk utrustning och dess tillämpning enligt nationell lagstiftning ska uttjänta elektriska verktyg sorteras separat och lämnas till miljövänlig återvinning.



TEKNISET ARVOT	Katkaisuhiomakonetta	CHS 355 (110-120 V)	CHS 355 (220-240 V)
Nimellinen teho.....	1800 W	2300 W	2300 W
Kuormittamaton kierroslukku .....	3800 min <sup>-1</sup>	3800 min <sup>-1</sup>	3800 min <sup>-1</sup>
Katkaisulaikan ø .....	355 mm	355 mm	355 mm
Katkaisulaikan porareian ø .....	25,4 mm	25,4 mm	25,4 mm
Paino EPTA-meneteltyyn 01/2003 mukaan.....	17,5 kg	17,5 kg	17,5 kg

#### Melunpäästötiedot

Mitta-arvot määritetty EN 61029 mukaan.

Koneen tyyppillinen A-luokitettu melutaso:

Melutaso (K = 3 dB(A)).....	91 dB (A)	94,5 dB (A)
Äänenvoimakkuus (K = 3 dB(A)).....	104 dB (A)	107,5 dB (A)

#### Käytä kuulosuojaimia!

#### Tärinätieto

Värähtelyn yhteisarvot (kolmen suunnan vektorisumma)

mitattuna EN 61029 mukaan.

Värähtelyemissioarvo a <sub>w</sub> .....	3,1 m/s <sup>2</sup>	3,1 m/s <sup>2</sup>
Epävarmuus K = .....	1,5 m/s <sup>2</sup>	1,5 m/s <sup>2</sup>

#### VAROITUS

Näissä ohjeissa mainittu värähtelytaso on mitattu EN 61029 -standardin mukaisella mittausmenetelmällä ja sitä voidaan käyttää sähkötyökalujen vertaamiseen. Sitä voidaan käyttää myös värähtelyrasituksen väliaikaiseen arviointiin.

Mainittu värähtelytaso edustaa sähkötyökalun pääasiallista käyttöä. Jos sähkötyökalua kuitenkin käytetään muihin tehtäviin, poikkeavin työkaluun tai riittämättömästi huoltaen, värähtelytaso voi olla erilainen. Se voi korottaa värähtelyrasitusta koko työajan osalta.

Tarkan värähtelyrasituksen toteamiseen tulee ottaa huomioon aika, jona laite on kytketty pois tai on kylläkin päällä, mutta ei käytössä. Se voi pienentää värähtelyrasitusta koko työajan osalta.

Määrittele lisäuravaimenpiteitä käyttäjän suojaamiseksi värinöiden vaikutukselta, kuten esimerkiksi: sähkötyökalujen ja käyttötyökalujen huolto, käsien lämpiminä pitäminen, työvaiheiden organisaatio.

**VAROITUS! Lue kaikki, myös oheistetussa esitteessä annetut turvallisuusmääräykset ja käyttöohjeet.** Turvallisuusohjeiden noudattamisen laiminlyönti saattaa johtaa sähköiskuun, tulipaloon ja/tai vakavaan loukkaantumiseen. **Säilytä kaikki turvallisuus- ja muut ohjeet tulevaisuutta varten.**

#### TURVALLISUUSOHJEET

**Käytä korvasuojia.** Altistuminen melulle voi vahingoittaa kuuloa.

Ulkokäytössä olevat pistorasiat on varustettava vikavirta-suojajytkimillä (FI, RCD PRCD) sähkölaitteistosi asennusmäärityksen mukaisesti. Muista tarkistaa, että laite liitetään ulkokäytössä ulkopistorasiaan ja neuvottele asiasta sähköasentajasi kanssa.

Irrota aina pistotulppa seinäkoskettimesta ennen koneeseen tehtäviä toimempiteitä.

Varmista, että kone on sammutettu ennen kytkemistä sähköverkkoon.

Pidä sähköjohto poissa koneen käyttöalueelta. Siirrä se aina taaksesi.

Käytä suojavarusteita. Käytä aina suojalaseja käyttäessäsi konetta. Suosittelemme suojavarusteiden käyttöä, näihin kuuluvat pölysuojanaamari, työkasineet, tukevat, luistamattomat jalkineet, kypärä ja kuulosuojukset.

Lastuja tai puruja ei saa poistaa koneen käydessä.

Älä tartu käynnistetyn laitteen työskentelyalueelle.

Laitteen suojavarusteita on ehdottomasti käytettävä.

Älä koskaan käytä katkaisulaikkaa muiden kuin käyttöohjeessa nimettyjen materiaalien leikkaamiseen.

Kuljeta katkaisuhiomakonetta vain kahvasta kantaan ja kuljetusvarmistus lukittuna.

Käytä katkaisuhiomakonetta vain turvallisesti toimivan ja hyvin huolletun suojakuvun kera. Suojakuvun tulee kääntyä takaisin itsestään.

Laippamutterin on oltava kunnolla kiristetty ennen koneen käyttöönottoa.

Älä käytä katkaisulaikkoja, jotka ovat vahingoittuneet tai vääntyneet.

Käytä ja säilytä katkaisulaikkoja aina valmistajan antamien ohjeiden mukaisesti.

Käytä ainoastaan sähkötyökaluasi varten sallittuja katkaisulaikkoja ja sille tarkoitettua suojakupua. Hiomalaitteita, joita ei ole tarkoitettu tälle sähkötyökalulle, ei voi suojata riittävän hyvin eivätkä ne ole turvallisia käyttää.

Älä käytä ketju- tai hammastettua sahanterää. Tällaiset työvälineet aiheuttavat usein takapotkun tai sähkötyökalun hallinnan menettämisen.

Käytä aina suojakupua. Suojakupu täytyy asentaa sähkötyökaluun pitävästi ja säätää siten, että sen avulla saavutetaan mahdollisimman suuri turvallisuusaste, ts. vain pieni mahdollinen katkaisulaikan osa näyttää avoimesti käyttäjään päin. Suojakuvun tarkoitus on suojata käyttäjää hiomavälineestä irronneilta paloilta sekä sen tahattomalta koskettamiselta.

Katkaisulaikkojen ja laippojen tulee sopia tarkalleen sähkötyökalusi hiomakaraan.

Tarkasta katkaisulaikat ennen niiden käyttöä. Katkaisulaikan tulee olla asennettu moitteettomasti ja pyöriä esteettömästi. Tee vähintään 30 sekuntia kestävä koekäyttö ilman kuormaa. Älä käytä vahingoittuneita, epäpyöreitä tai tärisiviä katkaisulaikkoja

Käytä aina vahingoittumatonta kiinnityslaippaa, joka sopii kooltaan ja muodoltaan valitsemaasi katkaisulaikkaan. Sopivat laipat tukevat katkaisulaikkaa ja vähentävät täten katkaisulaikan särkymsvaaraa.

Metalleja leikattaessa syntyy lentäviä kipinöitä. Huolehdi siitä, ettei ihmisiä vaaranneta. Palovaaran vuoksi ei lähistöllä (kipinöiden lentoalueella) saa olla tulenarkoja materiaaleja. Älä käytä pölyn poistomulaitteita.

Älä käytä vahingoittuneita katkaisulaikkoja. Tarkasta ennen jokaista käyttöä, onko katkaisulaikkaa lohkeamia ja

halkeamia tai hiomalautasessa halkeamia, rikkoja tai voimakasta kulumista.

Sammuttamisen jälkeen kone ei pysähdy aivan heti (katkaisulaikan jälkikäynti). Odota, kunnes katkaisulaikka on pysähtynyt sammuttamisen jälkeen.

Vältä katkaisulaikan kiinnijuuttumista tai liian voimakasta painamista.

Jos katkaisulaikka juuttuu kiinni tai keskeytät työskentelyn, sammuta sähkötyökalu ja odota, kunnes laikka on pysähtynyt. Älä koskaan yritä vetää vielä pyörivää katkaisulaikkaa työkappaleesta pois, siitä saattaa aiheutua takapotku. Selvitä kiinnijuuttumisen syy ja poista se.

Älä käynnistä sähkötyökalua uudelleen niin kauan kuin se on vielä työkappaleessa. Anna katkaisulaikan saavuttaa täysi kierroskuntansa, ennen kuin jatkat leikkausta varovasti. Muussa tapauksessa laikka saattaa koukata kiinni, sinkoutua työkappaleesta pois tai aiheuttaa takapotkun.

Työstettävä työkappale tulee kiinnittää lujasti paikalleen Puhdista sähkötyökalusi tuuletusraot säännöllisin väliajoin.

Moottorin puhallin vetää pölyä kuoren sisälle, ja runsaat metallipölykertymät saattaavat aiheuttaa sähkövaaroja.

Varmista, että kone seisoo aina tukevasti paikallaan (esim. kiinnittämällä se ruuvipenkkiin).

Pitkiä työstökappaleita tulee tukea sopivin toimin.

#### TARKOITUKSEN MUKAINEN KÄYTTÖ

Katkaisuhiomakone soveltuu metalliprofiilien, metalliputkien ja metallitankojen katkaisuun. Kone ei sovellu puun työstöön.

Älä käytä tuotetta ohjeiden vastaisesti.

#### TODISTUS CE-STANDARDIN MUKAISUUDESTA

Todistamme täten ja vastaamme yksin siitä, että tämä tuote on allalueteltujen standardien ja standardoimisasiakirjojen vaatimusten mukainen. EN 61029, EN 55014-1, EN 55014-2, EN 61000-3-2, EN 61000-3-3, seuraavien sääntöjen mukaisesti: 2006/42/EY, 2004/108/EY



Winnenden, 2010-09-21

Rainer Kumpf  
Manager Product Development  
Valtuutettu kokoamaan tekniset dokumentit.

#### VERKKOLIITÄNTÄ

Yhdistä ainoastaan yksivaiheiseen vaihtovirtaan, jonka verkkojännite on sama kuin tyyppikilvessä ilmoitettu. Myös liittäminen maadoittamattomiin pistorasioihin on mahdollista, sillä rakenne vastaa turvallisuusluokkaa II.

#### HUOLTO

Pidä moottorin ilmanottoaukot puhtaina.

Käytä vain Milwaukee:n lisälaitteita ja varaosia. Käytä ammattitaitoisten Milwaukee-huoltosopimusliikkeiden palveluja muiden kuin käyttöohjeessa kuvattujen osien vaihdossa. (esite takuu/huoltoliikeluettelo).

Tarpeen vaatiessa voit pyytää lähettämään laitteen kokoonpanopiirustuksen ilmoittamalla arvokilven kymmennumeroinen numeron seuraavasta osoitteesta: Milwaukee Electric Tool, Max-Eyth-Straße 10, D-71364 Winnenden, Germany.

#### SYMBOLIT



Lue käyttöohjeet huolellisesti, ennen koneen käynnistämistä.



Irrota aina pistotulppa seinäkoskettimesta ennen koneeseen tehtäviä toimempiteitä.



Käytä laitteella työskennellessäsi aina suojalaseja.



Älä hävitä sähkötyökalua tavallisen kotitalousjätteen mukana! Vanhoja sähkö- ja elektroniikkalaitteita koskevan EU-direktiivin 2002/96/ETY ja sen maakohtaisten sovellusten mukaisesti käytetyt sähkötyökalut on toimitettava ongelmajätteen keräyspisteeseen ja ohjattava ympäristöystävälliseen kierrätykseen.

ΤΕΧΝΙΚΑ ΣΤΟΙΧΕΙΑ	Κόπτης	CHS 355 (110-120 V)	CHS 355 (220-240 V)
Όνομαστική ισχύς .....	1800 W .....	2300 W .....	
Αριθμός στροφών χωρίς φορτίο .....	3800 min <sup>-1</sup> .....	3800 min <sup>-1</sup> .....	
Διάμετρος δίσκων κοπής .....	355 mm .....	355 mm .....	
Διάμετρος οπής του δίσκου κοπής .....	25,4 mm .....	25,4 mm .....	
Βάρους σύμφωνα με τη διαδικασία EPTA 01/2003 .....	17,5 kg.....	17,5 kg .....	

### Πληροφορίες θορύβου

Τιμές μέτρησης εξακριβωμένες κατά EN 61029.

Η σύφωνα με την καμπύλη Α εκτιμηθείσα στάθμη θορυβου του μηχανήματος αναφέρεται σε:

Στάθμη ηχητικής πίεσης (K = 3 dB(A)).....	91 dB (A) .....	94,5 dB (A) .....
Στάθμη ηχητικής ισχύος (K = 3 dB(A)).....	104 dB (A) .....	107,5 dB (A) .....

### Φοράτε προστασία ακοής (ωτασπίδες)!

### Πληροφορίες δονήσεων

Ολικές τιμές κραδασμών (άθροισμα διανυσμάτων τριών διευθύνσεων) εξακριβώθηκαν σύμφωνα με τα πρότυπα του EN 61029.

Τιμή εκπομπής δονήσεων a <sub>h</sub> .....	3,1 m/s <sup>2</sup> .....	3,1 m/s <sup>2</sup> .....
Ανασφάλεια K = .....	1,5 m/s <sup>2</sup> .....	1,5 m/s <sup>2</sup> .....

### ΠΡΟΕΙΔΟΠΟΙΗΣΗ

Το αναφερόμενο σ' αυτές τις οδηγίες επίπεδο δονήσεων έχει μετρηθεί με μια τυποποιημένη σύμφωνα με το EN 61029 μέθοδο μέτρησης και μπορεί να χρησιμοποιηθεί για τη σύγκριση των ηλεκτρικών εργαλείων μεταξύ τους. Αυτό είναι επίσης κατάλληλο για μια προσωρινή εκτίμηση της επιβάρυνση των δονήσεων.

Το αναφερόμενο επίπεδο δονήσεων αντιπροσωπεύει τις κύριες χρήσεις του ηλεκτρικού εργαλείου. Εάν όμως το ηλεκτρικό χρησιμοποιείται σε άλλες χρήσεις, με διαφορετικά εργαλεία εφαρμογής ή ανεπαρκή συντήρηση, μπορεί να υπάρξει απόκλιση του επιπέδου δονήσεων. Αυτό μπορεί να αυξήσει σημαντικά την επιβάρυνση των δονήσεων για τη συνολική διάρκεια της εργασίας.

Για μια ακριβή εκτίμηση της επιβάρυνσης των δονήσεων οφείλουν επίσης να λαμβάνονται υπόψη οι χρόνοι, στους οποίους η συσκευή είναι απενεργοποιημένη ή είναι με ενεργοποιημένη αλλά δεν χρησιμοποιείται πραγματικά. Αυτό μπορεί να μειώσει σημαντικά την επιβάρυνση των δονήσεων για τη συνολική διάρκεια της εργασίας.

Καθορίζετε πρόσθετα μέτρα ασφαλείας για την προστασία του χειριστή από την επίδραση των δονήσεων όπως για παράδειγμα: Συντήρηση του ηλεκτρικού εργαλείου και των εργαλείων εφαρμογής, διατηρείτε ζεστά τα χέρια, οργάνωση των διαδικασιών εργασίας.

### ⚠ ΠΡΟΕΙΔΟΠΟΙΗΣΗ! Διαβάστε όλες τις Υποδείξεις ασφαλείας και τις Οδηγίες, και αυτές στο επισυναπτόμενο φυλλάδιο.

Αμέλειες κατά την τήρηση των προειδοποιητικών υποδείξεων μπορεί να προκαλέσουν ηλεκτροπληξία, κίνδυνο πυρκαγιάς ή/και σοβαρούς τραυματισμούς.

### Φυλάξτε όλες τις προειδοποιητικές υποδείξεις και οδηγίες για κάθε μελλοντική χρήση.

### ΕΙΔΙΚΕΣ ΥΠΟΔΕΙΞΕΙΣ ΑΣΦΑΛΕΙΑΣ

**Φοράτε ωτασπίδες.** Η επίδραση θορύβου μπορεί να προκαλέσει απώλεια ακοής.

Οι μπρίζες στους εξωτερικούς χώρους πρέπει να είναι εξοπλισμένες με μικροαυτόματους διακόπτες προστασίας (FI, RCD, PRCD). Αυτό απαιτεί ο σχετικός κανονισμός από την ηλεκτρική σας εγκατάσταση. Προσέξτε παρακαλώ αυτό το σημείο κατά τη χρήση της συσκευής μας.

Πριν από κάθε εργασία στη μηχανή τραβάτε το φως από την πρίζα.

Συνδέετε τη μηχανή στην πρίζα μόνο, εφόσον βρίσκεται απενεργοποιημένη.

Κρατάτε το καλώδιο σύνδεσης πάντοτε μακριά από την περιοχή θράσης της μηχανής. Περνάτε το καλώδιο πάντοτε πίσω από τη μηχανή.

Χρησιμοποιείτε προστατευτικό εξοπλισμό. Κατά την εργασία με τη μηχανή φοράτε πάντα προστατευτικά γυαλιά. Συνιστούμε επίσης προστατευτική ενδυμασία όπως επίσης μάσκα προστασίας αναπνοής, προστατευτικά γάντια, σταθερά και ασφαλή στην ολίσθηση υποδήματα, κράνος και ωτασπίδες.

Τα γράζια ή τα σκληθόρες δεν επιτρέπεται να απομακρύνονται με κινούμενη τη μηχανή.

Μην απλώνετε τα χέρια σας στην επικίνδυνη περιοχή της κινούμενης μηχανής.

Χρησιμοποιείτε οπωσδήποτε τη διάταξη προστασίας της μηχανής.

Μην χρησιμοποιείτε ποτέ τον τροχό κοπής για την κοπή διαφορετικών υλικών από αυτά που αναφέρονται στις οδηγίες χειρισμού.

Μεταφέρετε τον τροχό κοπής από τη χειρολαβή μόνο με ασφαλισμένη την ασφάλεια μεσαφοράς.

Χρησιμοποιείτε τον τροχό κοπής μόνο με τον προφυλακτήρα να λειτουργεί με ασφάλεια και να είναι καλά συντηρημένος. Ο προφυλακτήρας πρέπει να επιστρέφει πίσω αυτόματα.

Το φλάντζωτο παξιμάδι πρέπει να έχει σφικτεί πριν τη θέση σε λειτουργία της μηχανής.

Μην χρησιμοποιείτε δίσκους κοπής, οι οποίοι έχουν υποστεί ζημιά ή έχουν παραμορφωθεί.

Χρησιμοποιείτε και φυλάσσετε τους δίσκους κοπής πάντα σύμφωνα με τις αναφορές του κατασκευαστή.

Χρησιμοποιείτε αποκλειστικά τους συγκεκριμένους για το ηλεκτρικό σας εργαλείο δίσκους κοπής και τον προβλεπόμενο προφυλακτήρα. Λειαντικά σώματα, τα οποία δεν προβλέπονται για το ηλεκτρικό εργαλείο, δεν μπορούν να θωρακιστούν επαρκώς και δεν είναι ασφαλή.

Μην χρησιμοποιείτε προιονδισκό οδοντωτό ή με αλυσίδα. Τέτοια εργαλεία εφαρμογής προκαλούν συχνά αναπήδηση ή οδηγούν στην απώλεια ελέγχου επάνω στο ηλεκτρικό εργαλείο.

Χρησιμοποιείτε πάντα τον προφυλακτήρα. Ο προφυλακτήρας πρέπει να είναι πάντα τοποθετημένος με ασφάλεια στο ηλεκτρικό εργαλείο και έτσι ρυθμισμένος, ώστε να επιτυγχάνεται ο μέγιστος βαθμός σε ασφάλεια, δηλαδή το μικρότερο δυνατό τμήμα του δίσκου κοπής είναι ανοιχτό προς το χειριστή. Ο προφυλακτήρας οφείλει να προστατεύει το χειριστή από θραύσματα και από την τυχαία επαφή με το λειαντικό σώμα.

Δίσκοι κοπής και φλάντζες πρέπει να εφαρμόζονται επακριβώς επάνω στον άξονα σύνδεσης του ηλεκτρικού σας εργαλείου.

Ελέγχετε του δίσκους κοπής πριν από τη χρήση. Ο δίσκος κοπής πρέπει να είναι άψογα τοποθετημένος και να μπορεί περιστρέφεται ελεύθερα. Εκτελείτε δοκιμαστική λειτουργία

τουλάχιστον 30 δευτερόλεπτα χωρίς φορτίο. Μη χρησιμοποιείτε ελαττωματικούς, μη κυκλικούς ή δονούμενους δίσκους κοπής.

Χρησιμοποιείτε πάντα μια φλάντζα στερέωσης σε άψογη κατάσταση στο σωστό μέγεθος και σχήμα για τον επιλεγμένο από εσάς δίσκο κοπής. Οι κατάλληλες φλάντζες στηρίζουν το δίσκο κοπής και μειώνουν έτσι τον κίνδυνο μιας θραύσης του δίσκου κοπής.

Κατά την κοπή των μετάλλων πετάνονται σπινθήρες. Προσέξτε, ώστε κανένα πρόσωπο να μην εκτίθεται σε κίνδυνο. Λόγω του κινδύνου πυρκαγιάς δεν επιτρέπεται να βρίσκονται κοντά εύφλετα υλικά (περιοχή όπου πετάνονται σπινθήρες). Μη χρησιμοποιείτε αναρρόφηση σκόνης.

Μην χρησιμοποιείτε ελαττωματικούς δίσκους κοπής. Ελέγχετε πριν από κάθε χρήση το δίσκο κοπής για αποκομμένα κομμάτια και ρωγμές, το πέλαμα λείανσης για ρωγμές και φθορά.

Μετά την απενεργοποίηση η μηχανή δεν ακινητοποιείται αμέσως (κίνηση αδράνειας του δίσκου κοπής). Μετά την απενεργοποίηση περιμένετε την ακινητοποίηση του δίσκου κοπής.

Αποφεύγετε το μπλοκάρισμα του δίσκου κοπής ή την πολύ υψηλή πίεση προσπάθειας.

Σε περίπτωση που ο δίσκος κοπής μπλοκάρει ή εσείς θέλετε να διακόψετε την εργασία, απενεργοποιείτε το ηλεκτρικό εργαλείο και περιμένετε μέχρι να έχει ακινητοποιηθεί ο δίσκος. Ποτέ μην προσπαθήσετε να τραβήξετε από το τεμάχιο κατεργασίας το δίσκο κοπής που βρίσκεται σε κίνηση, διαφορετικά μπορεί να υπάρξει μια αναπήδηση. Εντοπίζετε και αποκαθιστάτε την αιτία για το μπλοκάρισμα.

Μην ενεργοποιείτε πάλι το ηλεκτρικό εργαλείο, για όσο διάστημα βρίσκεται στο τεμάχιο κατεργασίας. Αφήνετε το δίσκο κοπής να ανεβάσει τον πλήρη αριθμό στροφών, πριν συνεχίσετε με προσοχή την κοπή. Σε διαφορετική περίπτωση ο δίσκος μπορεί να μπλοκάρει, να ξεφύγει από το τεμάχιο κατεργασίας ή να προκαλέσει αναπήδηση.

Το καταργούμενο τεμάχιο πρέπει να είναι στερεωμένο καλά Καθαρίζετε τακτικά τα ανοίγματα αερισμού του ηλεκτρικού σας εργαλείου. Ο ανεμιστήρας μοτέρ τραβάει σκόνη στο περίβλημα και μια υψηλή συγκέντρωση μεταλλικής σκόνης μπορεί να προκαλέσει ηλεκτρικούς κινδύνους.

Να σιγουρεύεστε πως η μηχανή είναι σταθερή (π.χ. στερέωση στον πάγκο εργασίας).

Τεμάχια κατεργασίας μεγάλου μήκους πρέπει να στηρίζονται κατάλληλα.

### ΧΡΗΣΗ ΣΥΜΦΩΝΑ ΜΕ ΤΟ ΣΚΟΠΟ ΠΡΟΟΡΙΣΜΟΥ

Ο τροχός κοπής είναι κατάλληλος για το κόψιμο μεταλλικών προφίλ, μεταλλικών σωλήνων και μεταλλικών ράβδων. Η μηχανή δεν είναι κατάλληλη για την επεξεργασία ξύλου.

Αυτή η συσκευή επιτρέπεται να χρησιμοποιηθεί μόνο σύμφωνα με τον αναφερόμενο σκοπό προορισμού.

### ΑΠΩΣΗ ΠΙΣΤΟΤΗΤΑΣ ΕΚ

Δηλώνουμε με αποκλειστική μας ευθύνη, ότι αυτό το προϊόν ανταποκρίνεται στα ακόλουθα πρότυπα ή έγγραφα τυποποίησης: EN 61029, EN 55014-1, EN 55014-2, EN 61000-3-2, EN 61000-3-3, σύμφωνα με τις διατάξεις των οδηγιών 2006/42/ΕΚ 2004/108/ΕΚ




Winnenden, 2010-09-21

*Rainer Kumpf*

Rainer Kumpf  
Manager Product Development

Εξουσιοδοτημένος να συντάξει τον τεχνικό φάκελο.

### ΣΥΝΔΕΣΗ ΣΤΟ ΗΛΕΚΤΡΙΚΟ ΔΙΚΤΥΟ

 Συνδέετε μόνο σε μονοφασικό εναλλασσόμενο ρεύμα και μόνο σε τάση δικτύου όπως αναφέρεται στην πινακίδα τεχνικών χαρακτηριστικών. Η σύνδεση είναι επίσης εφικτή σε πρίζες χωρίς προστασία επαφής, διότι υπάρχει μια δομή της κατηγορίας προστασίας II.

### ΣΥΝΤΗΡΗΣΗ

Διατηρείτε πάντοτε τις σχισμές εξαερισμού στη μηχανή καθαρές.

Χρησιμοποιείτε μόνο εξαρτήματα και ανταλλακτικά της Milwaukee. Αναθέστε την αλλαγή των εξαρτημάτων, των οπείων η αντικατάσταση δεν έχει περιγραφεί, σ' ένα κέντρο σέρβις της Milwaukee (προσέξτε το εγχειρίδιο Εγγύηση/ Διευθύνσεις εξυπηρέτησης πελατών).

Όταν χρειάζεται, μπορείτε να ζητήσετε ένα σχέδιο συναρμολόγησης της συσκευής, δίνοντας τον τύπο της μηχανής και το δεκαψήφιο αριθμό στην πινακίδα ισχύος, από το κέντρο σέρβις ή απευθείας από τη φίρμα Milwaukee Electric Tool, Max-Eyth-Straße 10, D-71364 Winnenden, Germany.

### ΣΥΜΒΟΛΑ



Παρακαλώ διαβάστε σχολαστικά τις οδηγίες χρήσης πριν από την έναρξη λειτουργίας.



Πριν από κάθε εργασία στη μηχανή τραβάτε το φως από την πρίζα.



Στις εργασίες με τη μηχανή φοράτε πάντοτε προστατευτικά γυαλιά.



Μην πετάτε τα ηλεκτρικά εργαλεία στον κάδο οικιακών απορριμμάτων! Σύμφωνα με την ευρωπαϊκή οδηγία 2002/96/ΕΚ περί ηλεκτρικών και ηλεκτρονικών συσκευών και την ενσωμάτωσή της στο εθνικό δίκαιο, τα ηλεκτρικά εργαλεία πρέπει να συλλέγονται ξεχωριστά και να πιστρέφονται για ανακύκλωση με τρόπο φιλικό προς το περιβάλλον.

TEKNİK VERİLER	Kesici	CHS 355 (110-120 V)	CHS 355 (220-240 V)
Giriş gücü .....	1800 W .....	2300 W .....	2300 W .....
Boştaki devir sayısı.....	3800 min <sup>-1</sup> .....	3800 min <sup>-1</sup> .....	3800 min <sup>-1</sup> .....
Ayırma levhaları -ø .....	355 mm .....	355 mm .....	355 mm .....
Ayırma levhasının delme-ø .....	25,4 mm .....	25,4 mm .....	25,4 mm .....
Ağırlığı ise EPTA-üretici 01/2003'e göre.....	17,5 kg.....	17,5 kg.....	17,5 kg.....

#### Gürültü bilgileri

Ölçüm değerleri EN 61029 e göre belirlenmektedir.

Aletin, frekansa bağımlı uluslararası ses basıncı seviyesi değerlendirme eğrisi A'ya göre tipik gürültü seviyesi:

Ses basıncı seviyesi (K = 3dB(A)) .....	91 dB (A) .....	94,5 dB (A) .....
Akustik kapasite seviyesi (K = 3dB(A)) .....	104 dB (A) .....	107,5 dB (A) .....

#### Koruyucu kulaklık kullanın!

#### Vibrasyon bilgileri

Toplam titreşim değeri (üç yönün vektör toplamı) EN 61029'e göre belirlenmektedir:

Titreşim emisyon değeri a <sub>n</sub> : .....	3,1 m/s <sup>2</sup> .....	3,1 m/s <sup>2</sup> .....
Tolerans K = .....	1,5 m/s <sup>2</sup> .....	1,5 m/s <sup>2</sup> .....

#### UYARI

Bu talimatlarda belirtilen titreşim seviyesi, EN 61029 standardına uygun bir ölçme metodu ile ölçülmüştür ve elektrikli el aletleri birbirine karşılaştırmak için kullanılabilir. Ölçüm sonuçları ayrıca titreşim yükünün geçici değerlendirmesi için de uygundur.

Belirtilen titreşim seviyesi, elektrikli el aletinin genel uygulamaları için geçerlidir. Ancak elektrikli el aleti başka uygulamalar için, farklı eklenti parçalarıyla ya da yetersiz bakım koşullarında kullanılırsa, titreşim seviyesi farklılık gösterebilir. Bu durumda, titreşim yükü toplam çalışma zaman aralığı içerisinde belirgin ölçüde yükselebilir.

Titreşim yükünün tam bir değerlendirmesi için ayrıca cihazın kapalı olduğu süreler ve cihazın çalışır durumda olduğu, ancak gerçek kullanımda bulunmadığı süreler de dikkate alınmalıdır. Böylelikle, toplam çalışma zamanı aralığı boyunca meydana gelen titreşim yükü belirgin ölçüde azaltılabilir.

Kullanıcıyı titreşimlerin etkisinden korumak üzere, örneğin elektrikli el aletlerinin ve eklenti parçalarının bakımı, ellerin sıcak tutulması ve iş akışlarının organizasyonu gibi ek güvenlik tedbirleri belirleyiniz.

**⚠ UYARI! Güvenlikle ilgili bütün açıklamaları, talimatları ve ilişikteki broşürde yazılı bulunan hususları okuyunuz.** Açıklanan uyarılara ve talimat hükümlerine uyulmadığı takdirde elektrik çarpmalarına, yangınlara ve/veya ağır yaralanmalara neden olunabilir. **Bütün uyarıları ve talimat hükümlerini ileride kullanmak üzere saklayın.**

#### GÜVENLİĞİNİZ İÇİN TALİMATLAR

**Koruyucu kulaklık kullanın.** Çalışırken çıkan gürültü işitme kayıplarına neden olabilir.

Açık havadaki prizler hatalı akım koruma şalteri (FI, RCD, PRCD) ile donatılmış olmalıdır. Bu, elektrik tesisatınızdaki bir zorunluluktur. Lütfen aletimizi kullanırken bu hususa dikkat edin.

Aletin kendinde bir çalışma yapmadan önce fişi prizden çekin.

Aleti sadece kapalı iken prize takın.

Bağlantı kablosunu aletten uzak tutun. Kablo daima aletin arkasında olmalıdır ve toplanmamalıdır.

Koruma teçhizatı kullanın. Makinada çalışırken devamlı surette koruyucu gözlük takın. Koruyucu elbise ve tozlardan korunma maskesi, emniyet eldivenleri ve salam ve kaymaya mukavim ayakkabı giyin. Ba\_11k ve kulak11k tavsiye edilir.

Alet çalışır durumda iken talaş ve kırpıntıları temizlemeye çalışmayın.

Aletin tehlikeli olabilecek bölümlerini tutmayın.

Aletin koruyucu donanımını mutlaka kullanın.

Ayırma taşıyıcısını hiçbir surette kullanma talimatında yazılı bulunan malzemelerin dışında başka malzemeler için kullanmayın.

Ayırma taşıyıcısını sadece el tutacağına birbirine geçmiş bir nakliye güvencesiyle nakledin.

Ayırma taşıyıcısını sadece fonksiyonu açısından güvenli ve bakımı iyi bir şekilde yapılmış koruma başlığı ile kullanın. Koruma başlığı kendiliğinden geriye doğru döner durumda olmalıdır.

Flanşlı somunu aleti işletme almadan önce iyice sıkın.

Hasarlı olan veya şekli bozulmuş olan ayırma levhaları kullanmayın

Ayırma levhalarını her zaman üreticinin verdiği bilgilere göre kullanın ve muhafaza edin.

Sadece elektrikli aletiniz için izin verilen ayırma levhalarını ve öngörülen koruma başlığını kullanın. Elektrikli alet için öngörülmemiş taşıma malzemeleri yeterli derecede korunamaz ve güvenli bir şekilde taşıma yapılamaz.

Zincir veya dişli testere levhaları kullanmayın. Bu tür kullanılan aletler sık sık geri tepme yapar veya elektrikli aletin kontrol edilmesi kaybına sebebiyet verir.

Koruma başlığını her zaman kullanın. Koruma başlığı güvenli bir şekilde elektrikli alete takılmalı ve maksimum güvenlik ölçüsü elde edilecek bir şekilde ayar edilmelidir, yani ayırma levhasının en küçük parçası kullanan şahıs tarafından açık bir şekilde görülür. Kullanılan şahıs koruma başlığını kesiklerden ve taşıma malzemesi ile tesadüfen temas etmesinden korumalıdır.

Ayırma levhalarının ve flanşların elektrikli aletinizin taşıma miline tamamen uygun olması gerekir.

Ayırma levhalarını kullanmadan önce kontrol edin. Ayırma levhasının kusursuz olarak monte edilmesi ve serbestçe dönmesi gerekir. Herhangi bir yüklemeye en az 30 saniye süre ile deneme çalışması yapılmalıdır. Hasarlı, yuvarlak olmayan veya titreşim yapan ayırma levhalarını kullanmayın.

Tarafınızdan seçilen ayırma levhası için her zaman doğru ebatta ve formda bulunan ve hasarlı olmayan germe flanşını kullanın. Uygun flanşlar ayırma levhasına dayanmaktadır ve bu surette ayırma levhasının çatlama riskini azaltmaktadır.

Metallerin ayrılması esasında kıvılcımlar uçuşmaktadır. Kimsenin tehlike altında bulunmamasına dikkat edin. Yangın riskinden dolayı (kıvılcım sahasının) yakınında yanıcı malzemelerin bulunmaması gerekir. Elektrikli emme süpürgesi kullanmayın.

Hasarlı ayırma levhaları kullanmayın. Ayırma levhalarını her defasında kullanmadan önce bu levhaların üzerinde kopma

ve çatlaklar bulunup bulunmadığını, taşıma tabaklarının üzerinde çatlama olup olmadığını, aşınma bulunup bulunmadığını veya fazla bir şekilde yıpranıp yıpranmadığını kontrol edin.

Makineyi kapattıktan sonra hemen durmaz (ayırma levhası çalışır). Makineyi kapattıktan sonra ayırma levhasının durmasını bekleyin.

Ayırma levhasının bloke olmasını veya fazla pres basıncı altında kalmasını engelleyin.

Şayet ayırma levhası sıkışma yaparsa veya siz işe ara verirsiniz, elektrikli aleti kapatın ve levha durana kadar bekleyin. Hiçbir zaman henüz çalışmakta olan ayırma levhasını tezgahın çekmeyi denemeyin, aksi takdirde geri tepme ortaya çıkar. Sıkışma nedenini araştırın ve sıkışmayı ortadan kaldırın.

Tezgahın içinde bulunduğu sürece elektrikli aleti tekrar çalıştırmayın. Dikkatli bir şekilde kesime devam etmeden önce ayırma levhasının tam devir sayısına ulaşmasını sağlayın. Aksi takdirde levha çengeller, tezgahtan çıkar veya geri tepmeye neden olur.

İşlem görece aletin sabit bir şekilde gerilmesi gerekir.

Elektrikli aletinizin havalandırma oluğunu düzenli bir şekilde temizleyiniz. Motor körüğü muhafaza kutusuna tozu çeker ve metal tozlarının fazla bir şekilde birikmesi elektrik risklerine sebebiyet verebilir.

Daima makinenin durduğu yerin güvenli olmasını sağlayın (örneğin bir banka tutturun)

Destekleme için uzun tezgah sopası uygundur.

#### KULLANIM

Ayırma taşıyıcısı, metal profillerin, metal boruların ve metal çubukların boyaları için uygundur. Makine ağaç işleme işi için uygun değildir.

Bu alet sadece belirtildiği gibi ve usulüne uygun olarak kullanılabilir.

#### CE UYGUNLUK BEYANI

Tek sorumlu olarak bu ürünün 2006/42/EC, 2004/108/EC yönetmelik hükümleri uyarınca aşağıdaki normlara ve norm dokümanlarına uygunluğunu beyan ederiz: EN 61029, EN 55014-1, EN 55014-2, EN 61000-3-2, EN 61000-3-3.



Winnenden, 2010-09-21

*Rainer Kumpf*

Rainer Kumpf  
Manager Product Development

Teknik evrakları hazırlamakla görevlendirilmiştir.

#### ŞEBEKE BAĞLANTISI

Aleti sadece tek fazlı alternatif akıma ve tip etiketi üzerinde belirtilen şebeke gerilimine bağlayın. Yapısı Koruma sınıfı II'ye girdiğinden alet koruyucu kontaklız prize de bağlanabilir.

#### BAKIM

Aletin havalandırma aralıklarını daima temiz tutun.

Sadece Milwaukee aksesuarını ve yedek parçalarını kullanın. Değiştirilmesi açıklanmamış olan parçaları bir Milwaukee müşteri servisinden değiştirin (Garanti broşürüne ve müşteri servisi adreslerine dikkat edin).

Gerektiği takdirde aletin dağıtım görünüş şeması, alet tipinin ve tip etiketi üzerindeki on hanelik sayının bildirilmesi koşuluyla müşteri servisinden veya doğrudan Milwaukee Electric Tool, Max-Eyth-Straße 10, D-71364 Winnenden, Germany adresinden istenebilir.

#### SEMBOLLER



Lütfen aleti çalıştırmadan önce kullanma kılavuzunu dikkatli biçimde okuyun.



Aletin kendinde bir çalışma yapmadan önce fişi prizden çekin.



Aletle çalışırken daima koruyucu gözlük kullanın.



Elektrikli el aletlerini evdeki çöp kutusuna atmayınız! Kullanılmış elektrikli aletleri, elektrik ve elektronik eski cihazlar hakkındaki. 2002/96/EC Avrupa yönergelerine göre ve bu yönergeler ulusal hukuk kurallarına göre uyarlanarak, ayrı olarak toplanmalı ve çevre şartlarına uygun bir şekilde tekrar değerlendirilmeye gönderilmelidir.



TECHNICKÁ DATA	Rozbrušovačka	CHS 355 (110-120 V)	CHS 355 (220-240 V)
Jmenovitý výkon .....	1800 W .....	2300 W .....	
Počet otáček při běhu naprázdno .....	3800 min <sup>-1</sup> .....	3800 min <sup>-1</sup> .....	
Ø rozbrušovacího kotouče .....	355 mm .....	355 mm .....	
Ø otvoru rozbrušovacího kotouče .....	25,4 mm .....	25,4 mm .....	
Hmotnost podle prováděcího předpisu EPTA 01/2003 .....	17,5 kg .....	17,5 kg .....	

### Informace o hluku

Naměřené hodnoty odpovídají EN 61029.

V třídě A posuzovaná hladina hluku přístroje činí typicky:

Hladina akustického tlaku (K=3 dB(A)) .....

Hladina akustického výkonu (K=3 dB(A)) .....

### Používejte chrániče sluchu !

### Informace o vibracích

Celkové hodnoty vibrací (vektorový součet tří směrů) zjištěné ve smyslu EN 61029.

Hodnota vibračních emisí a<sub>h</sub> .....

Kořistivost K = .....

### VAROVÁNÍ

Úroveň chvění uvedená v tomto návodu byla naměřena podle metody měření stanovené normou EN 61029 a může být použita pro porovnání elektrického nářadí. Hodí se také pro průběžný odhad zatížení chvěním.

Uvedená úroveň chvění představuje hlavní účely použití elektrického nářadí. Jestliže se ale elektrické nářadí používá pro jiné účely, s odlišnými nástroji nebo s nedostatečnou údržbou, může se úroveň chvění odlišovat. To může značně zvýšit zatížení chvěním během celé pracovní doby.

Pro přesný odhad zatížení chvěním se musí také zohlednit časy, během kterých je přístroj vypnutý nebo kdy je sice v chodu, ale skutečně se s ním nepracuje. To může zatížení chvěním během celé pracovní doby značně snížit.

Stanovte doplňková bezpečnostní opatření pro ochranu obsluhy před účinky chvění jako například: technická údržba elektrického nářadí a nástrojů, udržování teploty rukou, organizace pracovních procesů.

**VAROVÁNÍ! Seznamte se se všemi bezpečnostními pokyny a sice i s pokyny v příložené brožuře.** Zanedbání při dodržování varovných upozornění a pokynů mohou mít za následek úder elektrickým proudem, požár a/nebo těžká poranění.  
**Všechna varovná upozornění a pokyny do budoucna uschovejte.**

### SPECIÁLNÍ BEZPEČNOSTNÍ UPOZORNĚNÍ

**Používejte chrániče sluchu.** Působením hluku může dojít k poškození sluchu.

Ve venkovním prostředí musí být zásuvky vybaveny proudovým chráničem (FI, RCD, PRCD). Je to vyžadováno instalačním předpisem pro toto el.zařízení. Dodržujte ho při používání tohoto nářadí, prosím.

Před zahájením veškerých prací na stroji vytáhnout síťovou zástrčku ze zásuvky.

Stroj zapínat do zásuvky pouze když je vypnutý.

Neustále dbát na to, aby byl kabel pro připojení k elektrické síti mimo dosah stroje. Kabel věst vždy směrem dozadu od stroje.

Použijte ochranné vybavení. Při práci s elektrickým nářadím používejte vždy ochranné brýle. Doporučujeme rovněž použití součástí ochranného oděvu a ochranné obuvi, jako protiprašné masky, ochranných rukavic, pevné a neklouzající obuvi, ochranné přilby a ochrany sluchu.

Pokud stroj běží, nesmí být odstraňovány třísky nebo odštěpky.

Nesahejte do nebezpečného prostoru běžícího stroje.

Bezpodmínečně používat ochranná zařízení přímočaré pily.

Rozbrušovačku nikdy nepoužívat k řezání jiných materiálů, než jaké jsou uvedeny v návodu k obsluze.

Rozbrušovačku přepravovat se zasunutou přepravní pojistkou na rukojeti.

Rozbrušovačku používat pouze s bezpečně fungujícím a dobře udržovaným ochranným krytem. Ochranný kryt se musí samočinně vracet.

Upínací matice kotouče musí být před spuštěním stroje utažena.

Nepoužívejte poškozené nebo zdeformované rozbrušovací kotouče.

Rozbrušovací kotouče používat a skladovat vždy podle pokynů výrobce.

Používejte výhradně rozbrušovací kotouče schválené pro daný elektrický nástroj a příslušný ochranný kryt. Brusná tělesa, která nejsou určena pro daný elektrický nástroj, nejsou dostatečně kryta a nejsou bezpečná.

Nepoužívejte řetězový nebo ozubený pilový list. Takové nástroje způsobují často zpětný ráz nebo ztrátu kontroly nad elektrickým nástrojem.

Používejte vždy ochranný kryt. Ochranný kryt musí být na elektrickém nástroji bezpečně připevněn a nastaven tak, aby zajišťoval maximální míru bezpečnosti, tzn. aby co nejmenší část rozbrušovacího kotouče byla směrem k obsluze nekryta. Ochranný kryt má chránit obsluhu před úlomky a případným kontaktem s brusným tělesem.

Rozbrušovací kotouče a příruby musí rozměrově přesně odpovídat brusnému vřetenу.

Rozbrušovací kotouče před použitím zkontrolovat. Kotouč musí být řádně namontován a volně se otáčet. Provést zkušební chod v trvání nejméně 30 sekund bez zátěže. Poškozené, nekrhlovité nebo vibrující rozbrušovací kotouče nepoužívat.

Pro zvolený rozbrušovací kotouč vždy použijte nepoškozenou upínací přírubu správné velikosti a tvaru. Správná příruba podpírá rozbrušovací kotouč a snižuje tak nebezpečí prasknutí rozbrušovacího kotouče.

Při rozbrušování kovů odletují jiskry. Zajistit, aby nebyly ohroženy osoby. Kvůli nebezpečí požáru se nesmí v blízkosti (oblast, kam jiskry dopadají) nacházet hořlavé materiály. Nepoužívat odsávání prachu.

Nepoužívejte poškozené rozbrušovací kotouče. Před každým použitím zkontrolujte kotouč, zda není rozštěpený a nevykazuje trhliny, a brusný talíř, zda nevykazuje trhliny, obroušení nebo silné opotřebení.

Po vypnutí se stroj nezastaví ihned (rozbrušovací kotouč doběhne). Vyčkat klidového stavu rozbrušovacího kotouče po vypnutí.

Zajistit, aby nedošlo k zablokování rozbrušovacího kotouče a vyvinutí nadměrného přitlačného tlaku.

Pokud se rozbrušovací kotouč vzpřímí nebo pokud přerušete práci, vypněte elektrický přístroj a vyčkejte, až se kotouč zastaví. Nikdy se nepokoušejte vytahovat rotující kotouč z obrobku, jinak může dojít ke zpětnému rázu. Zjistíte a odstraňte příčinu vzpříčení kotouče.

Elektrický přístroj nikdy znovu nespouštějte, dokud se nachází v obrobku. Nejprve nechte rozbrušovací kotouč roztocit na plně otáčky, až pak pokračujte opatrně v práci. Jinak se může kotouč zaseknout, z obrobku vyskočit a způsobit zpětný ráz.

Zpracovávaný obrobek musí být pevně upnut.

Větrací otvory na elektrickém přístroji pravidelně čistěte. Ventilátor motoru nasává prach do tělesa a silně nánosy kovového prachu mohou vyvolat nebezpečné situace.

Zajistěte stabilní polohu stroje (například upevněním na pracovní stůl).

Dlouhé obrobky vhodným způsobem podepřete.

### OBLAST VYUŽITÍ

Rozbrušovačka je určena k řezání kovových profilů, kovových trubek a kovových tyčí. Stroj není vhodný pro zpracování dřeva.

Toto zařízení lze používat jen pro uvedený účel.

### CE-PROHLÁŠENÍ O SHODĚ

Se vši zodpovědností prohlašujeme, že tento výrobek odpovídá následujícím normám a normativním dokumentům:

EN 61029, EN 55014-1, EN 55014-2, EN 61000-3-2, EN 61000-3-3, v souladu se směrnicemi EHS č. 2006/42/E, 2004/108/EG



Winnenden, 2010-09-21

Rainer Kumpf  
Manager Product Development

Zplnomocněn k sestavování technických podkladů.

### PŘIPOJENÍ NA SÍŤ

Připojit pouze do jednofázové střídavé sítě o napětí uvedeném na štítku. Lze připojit i do zásuvky bez ochranného kontaktu neboť spotřebič je třídy II.

### ÚDRŽBA

Větrací štěrbinu nářadí udržujeme stále čisté.

Používejte výhradně náhradní díly a příslušenství Milwaukee. Díly, jejichž výměna nebyla popsána, nechte vyměnit v odborném servisu Milwaukee. (Viz záruční list.)

Při potřebě podrobného rozkresu konstrukce, oslovte informaci o typu a desetistupňovém objednacím čísle přímo servis a nebo výrobce, Milwaukee Electric Tool, Max-Eyth-Straße 10, D-71364 Winnenden, Germany.

### SYMBOLY



Před spuštěním stroje si pečlivě pročtěte návod k používání.



Před zahájením veškerých prací na vrtacím kladivu vytáhnout síťovou zástrčku ze zásuvky.



Při práci se strojem neustále nosit ochranné brýle.



Elektrické nářadí nevyhazujte do komunálního odpadu! Podle evropské směrnice 2002/96/EC o nakládání s použitými elektrickými a elektronickými zařízeními a odpovídajících ustanovení právních předpisů jednotlivých zemí se použitá elektrická nářadí musí sbírat odděleně od ostatního odpadu a podrobit ekologicky šetrnému recyklování.



TECHNICKÉ ÚDAJE	Rozbrusovačka	CHS 355 (110-120 V)	CHS 355 (220-240 V)
Menovitý príkon	1800 W	2300 W	
Otáčky naprázdno	3800 min <sup>-1</sup>	3800 min <sup>-1</sup>	
Ø rozbrusovacieho kotúča	355 mm	355 mm	
Ø otvoru rozbrusovacieho kotúča	25,4 mm	25,4 mm	
Hmotnosť podľa vykonávacieho predpisu EPTA 01/2003	17,5 kg	17,5 kg	

### Informácia o hluku

Namerané hodnoty určené v súlade s EN 61029.

V triede A posudzovaná hladina hluku prístroja činí typicky:

Hladina akustického tlaku (K = 3 dB(A))	91 dB (A)	94,5 dB (A)
Hladina akustického výkonu (K = 3 dB(A))	104 dB (A)	107,5 dB (A)

### Používajte ochranu sluchu!

### Informácie o vibráciách

Celkové hodnoty vibrácií (vektorový súčet troch smerov) zistené v zmysle EN 61029.

Hodnota vibračných emisií a <sub>h</sub> :	3,1 m/s <sup>2</sup>	3,1 m/s <sup>2</sup>
Koľkosť K =	1,5 m/s <sup>2</sup>	1,5 m/s <sup>2</sup>

### POZOR

Úroveň vibrácií uvedená v týchto pokynoch bola nameraná meracou metódou, ktorú stanovuje norma EN 61029 a je možné ju použiť na vzájomné porovnanie elektrického náradia. Hodí sa aj na predbežné posúdenie kmitavého namáhania.

Uvedená úroveň vibrácií reprezentuje hlavné aplikácie elektrického náradia. Ak sa však elektrické náradie používa pre iné aplikácie, s odlišnými vloženými nástrojmi alebo s nedostatočnou údržbou, môže sa úroveň vibrácií líšiť. Toto môže kmitavé namáhanie v priebehu celej pracovnej doby podstatne zvýšiť.

Pre presný odhad kmitavého namáhania by sa mali tiež zohľadniť doby, v ktorých je náradie vypnuté alebo je síce v chode, ale v skutočnosti sa nepoužíva. Toto môže kmitavé namáhanie v priebehu celej pracovnej doby zreteľne redukovať.

Stanovte dodatočné bezpečnostné opatrenia pre ochranu obsluhy pred účinkami vibrácií, ako napríklad: údržba elektrického náradia a vložených nástrojov, udržiavanie teploty rúk, organizácia pracovných postupov.

### ⚠ POZOR! Zoznámte sa so všetkými bezpečnostnými pokynmi a síce aj s pokynmi v priloženej brožúre.

Zanedbanie dodržiavania Výstražných upozornení a pokynov uvedených v nasledujúcom texte môže mať za následok zásah elektrickým prúdom, spôsobiť požiar a/alebo ťažké poranenie.

**Tieto Výstražné upozornenia a bezpečnostné pokyny starostlivo uschovajte na budúce použitie.**

### SPECIÁLNE BEZPEČNOSTNÉ POKYNY

**Používajte ochranu sluchu.** Pôsobenie hluku môže spôsobiť stratu sluchu.

Zásuvky vo vonkajšom prostredí musia byť vybavené ochranným spínačom proti prudovým nárazom (FI, RCD, PRCD). Toto je inštalčný predpis na Vaše elektrické zariadenie. Venujte prosím tomuto pozornosť pri používaní nášho prístroja.

Pred každou prácou na stroji vyťahnite zástrčku zo zásuvky.

Len vypnutý stroj pripájajte do zásuvky.

Pripojovací kábel držte mimo pracovnej oblasti stroja. Kábel smerujte vždy smerom dozadu od stroja.

Použite ochranné vybavenie. Pri práci s elektrickým náradím používajte vždy ochranné okuliare. Doporučujeme taktiež použitie súčastí ochranného odevu a ochrannej obuvi, ako sú protiprašná maska, ochranné rukavice, pevná a nekľadáca obuv, ochranná prioba a ochrana sluchu.

Triesky alebo úlomky sa nesmú odstraňovať za chodu stroja.

Nesiahať do nebezpečnej oblasti bežiacieho stroja.

Ochranné zariadenie stroja bezpodmienečne používať

Rozbrusovačku nikdy nepoužívať k rezaniu iných materiálov, než aké sú uvedené v návode na obsluhu.

Rozbrusovačku prepravovať so zasunutou prepravnou poistkou na rukoväti.

Rozbrusovačku používať len s bezpečne fungujúcim a dobre udržiavaným ochranným krytom. Ochranný kryt sa musí samočinne vracat.

Pred uvedením stroja do prevádzky musí byť prírubová matica dotiahnutá.

Nepoužívať poškodené alebo zdeformované rozbrusovacie kotúče.

Rozbrusovacie kotúče používať a skladovať vždy podľa pokynov výrobcu.

Používajte výhradne rozbrusovacie kotúče schválené pre daný elektrický nástroj a príslušný ochranný kryt. Brúsne telesá, ktoré nie sú určené pre daný elektrický nástroj, nie sú dostatočne kryté a nie sú bezpečné.

Nepoužívajte reťazový alebo ozubený pilový list. Takéto nástroje spôsobujú často spätný ráz alebo stratu kontroly nad elektrickým nástrojom.

Používajte vždy ochranný kryt. Ochranný kryt musí byť na elektrickom nástroji bezpečne pripevnený a nastavený tak, aby zaisťoval maximálnu mieru bezpečnosti, tzn. aby čo najmenšia časť rozbrusovacieho kotúča bola smerom k obsluhu nekrytá. Ochranný kryt má chrániť obsluhu pred úlomkami a prípadným kontaktom s brúsnym telesom.

Rozbrusovacie kotúče a príruby musia rozmerovo presne zodpovedať vretenu elektrického brúsneho nástroja.

Rozbrusovacie kotúče pred použitím skontrolovať. Kotúč musí byť riadne namontovaný a musí sa voľne otáčať. Uskutočniť skúšobný chod v trvaní najmenej 30 sekúnd bez záťaže. Poškodené, nekrhové alebo vibrujúce rozbrusovacie kotúče nepoužívať.

Pre zvolený rozbrusovací kotúč vždy použite nepoškodenú upinaciu prírubu správnej veľkosti a tvaru. Správna prírubá podopiera rozbrusovací kotúč a znižuje tak nebezpečenstvo prasknutia rozbrusovacieho kotúča.

Pri rozbrusovaní kovov odlietavajú iskry. Zaisťiť, aby neboli ohrozené osoby. Kvôli nebezpečenstvu požiaru sa nesmú v blízkosti (oblasť, kam iskry dopadajú) nachádzať horľavé materiály. Nepoužívať odsávanie prachu.

Nepoužívajte poškodené rozbrusovacie kotúče. Pred každým použitím skontrolujte kotúč, či nie je odštiepený a nevykazuje trhliny, a brúsný tanier, či nevykazuje trhliny, obrúsenie alebo silné opotrebenie.

Po vypnutí sa stroj nezastaví ihneď (rozbrusovací kotúč dobieha). Vyčkat' na kľudový stav rozbrusovacieho kotúča po vypnutí.

Zaisťiť, aby nedošlo k zablokovaniu rozbrusovacieho kotúča a vyvinutiu nadmerného prítláčného tlaku.

Pokiaľ sa rozbrusovací kotúč vzpriechi alebo pokiaľ prerušíte prácu, vypnite elektrický prístroj a vyčkajte, až sa kotúč zastaví. Nikdy sa nepokúšajte vyťahovať rotujúci kotúč z obrobru, inak môže dôjsť k spätnému rázu. Zistíte a odstránite príčinu vzpriechenia kotúča.

Elektrický prístroj nikdy znovu nespúšťajte, kým sa nachádza v obrobru. Najprv nechajte rozbrusovací kotúč roztočiť na plné otáčky, až potom pokračujte opatrne v práci. Inak sa môže kotúč zaseknúť, z obrobru vyskočiť a spôsobiť spätný ráz.

Spracovaný obrobru musí byť pevne upnutý.

Vetracie otvory na elektrickom prístroji pravidelne čistite. Ventilátor motora nasáva prach do telesa a silné nánosy kovového prachu môžu vyvolať nebezpečné situácie.

Zaisťite stabilnú polohu stroja (napríklad upevnením na pracovný stôl).

Dlhé obrobru vhodným spôsobom podoprite.

### POUŽITIE PODĽA PREDPISOV

Rozbrusovačka je určená k rezaniu kovových profilov, kovových trubiek a kovových tyčí. Stroj nie je vhodný pre spracovanie dreva.

Tento prístroj sa smie používať len v súlade s uvedenými predpismi.

### CE - VYHLÁSENIE KONFORMITY

Vyhlasujeme v našej výhradnej zodpovednosti, že tento produkt zodpovedá nasledovným normám alebo normatívnym dokumentom: EN 61029, EN 55014-1, EN 55014-2, EN 61000-3-2, EN 61000-3-3, podľa predpisov smerníc 2006/42/EC, 2004/108/EC.



Winnenden, 2010-09-21

Rainer Kumpf  
Manager Product Development  
Splnomocnený zostaviť technické podklady.

### SIEŤOVÁ PRÍPOJKA

Pripájať len na jednofázový striedavý prúd a na sieťové napätie uvedené na štítku. Pripojenie je možné aj do zásuviek bez ochranného kontaktu, pretože ide o konštrukciu ochrannej triedy II.

### ÚDRZBA

Vetracie otvory udržiavať stále v čistote.

Používať len Milwaukee príslušenstvo a náhradné diely. Súčiastky bez návodu na výmenu treba dat vymeniť v jednom z Milwaukee zákaznických centier (viď brožúru Záruka/Adresy zákaznických centier).

Pri udaní typu stroja a desaťmiestneho čísla nachádzajúceho sa na štítku dá sa v prípade potreby vyžiadať explozivná schéma prístroja od Vášho zákaznického centra alebo priamo v Milwaukee Electric Tool, Max-Eyth-Straße 10, D-71364 Winnenden, Germany.

### SYMBOLY



Pred prvým použitím prístroja si pozorne prečítajte návod na obsluhu.



Pred každou prácou na stroji vyťahnúť zástrčku zo zásuvky.



Pri práci so strojom vždy nosite ochranné okuliare.



Elektrické náradie nevyhadzujte do komunálneho odpadu! Podľa európskej smernice 2002/96/ES o nakladaní s použitými elektrickými a elektronickými zariadeniami a zodpovedajúcich ustanovení právnych predpisov jednotlivých krajín sa použité elektrické náradie musí zbierať oddelene od ostatného odpadu a podrobiť ekologicky šetrnej recyklácii.

DANE TECHNICZNE	Przecinarki	CHS 355 (110-120 V)	CHS 355 (220-240 V)
Znamionowa moc wyjściowa .....	1800 W .....	2300 W .....	
Prędkość bez obciążenia .....	3800 min <sup>-1</sup> .....	3800 min <sup>-1</sup> .....	
Średnice tarcz tnących .....	355 mm .....	355 mm .....	
Średnice otworów tarcz tnących .....	25,4 mm .....	25,4 mm .....	
Ciężar wg procedury EPTA 01/2003 .....	17,5 kg .....	17,5 kg .....	

#### Informacja dotycząca szumów

Zmierzone wartości wyznaczone zgodnie z normą EN 61029.

Poziom szumów urządzenia oszacowany jako A wynosi typowo:

Poziom ciśnienia akustycznego (K=3dB(A)) .....	91 dB (A) .....	94,5 dB (A) .....
Poziom mocy akustycznej (K=3dB(A)) .....	104 dB (A) .....	107,5 dB (A) .....

#### Należy używać ochraniaczy uszu!

#### Informacje dotyczące wibracji

Wartości łączne drgań (suma wektorowa trzech kierunków)

wyznaczone zgodnie z normą EN 61029

Wartość emisji drgań a <sub>v</sub> .....	3,1 m/s <sup>2</sup> .....	3,1 m/s <sup>2</sup> .....
Niepewność K = .....	1,5 m/s <sup>2</sup> .....	1,5 m/s <sup>2</sup> .....

#### OSTRZEŻENIE

Podany w niniejszych instrukcjach poziom drgań został zmierzony za pomocą metody pomiarowej zgodnej z normą EN 61029 i może być użyty do porównania ze sobą elektronarzędzi. Nadaje się on również do tymczasowej oceny obciążenia wibracyjnego.

Podany poziom drgań reprezentuje główne zastosowania elektronarzędzia. Jeśli jednakże elektronarzędzie użyte zostanie do innych celów z innym narzędziami roboczymi lub nie jest dostatecznie konserwowane, wtedy poziom drgań może wykazywać odchylenia. Może to wyraźnie zwiększyć obciążenie wibracjami przez cały okres pracy.

Dla dokładnego określenia obciążenia wibracjami należy uwzględnić również czasy, w których urządzenie jest wyłączone względnie jest włączone, lecz w rzeczywistości nie pracuje. Może to spowodować wyraźną redukcję obciążenia wibracyjnego w całym okresie pracy.

Należy wprowadzić dodatkowe środki zapobiegawcze celem ochrony obsługującego przed oddziaływaniem drgań, jak na przykład: konserwacja narzędzi roboczych i elektronarzędzi, nagrzanie rąk, organizacja przebiegu pracy.

**⚠ OSTRZEŻENIE! Prosimy o przeczytanie wskazówek bezpieczeństwa i zaleceń, również tych, które zawarte są w załączonej broszurze.** Błędy w przestrzeganiu poniższych wskazówek mogą spowodować porażenie prądem, pożar i/lub ciężkie obrażenia ciała. **Należy starannie przechowywać wszystkie przepisy i wskazówki bezpieczeństwa dla dalszego zastosowania.**

#### INSTRUKCJE DOTYCZĄCE BEZPIECZEŃSTWA

**Stosować środki ochrony słuchu!** Narażenie na hałas może spowodować utratę słuchu.

Urządzenia pracujące w wielu różnych miejscach, w tym poza pomieszczeniami zamkniętymi, należy podłączać poprzez ochronny (FI, RCD, PRCD) wyłącznik udarowy.

Przed przystąpieniem do jakichkolwiek prac związanych z elektronarzędziem należy wyjąć wtyczkę z gniazdka.

Elektronarzędzie można podłączać do gniazdka sieciowego tylko wtedy, kiedy jest wyłączone.

Kabel zasilający nie może znajdować się w obszarze roboczym elektronarzędzia. Powinien on się zawsze znajdować się za operatorem.

Stosować wyposażenie ochronne. Przy pracy maszyną zawsze nosić okulary ochronne. Zalecana jest odzież ochronna, jak maska pyłochronna, rękawice ochronne, mocne i chroniące przed poślizgiem obuwie, kask i ochronniki słuchu.

Podczas pracy elektronarzędzia nie wolno usuwać trocin ani drzazg.

Podczas pracy strugarki nie zbliżać się do strefy niebezpiecznej.

Zawsze stosować osłony ochronne na elektronarzędziu.

Przecinarek ściernicowych nie należy nigdy używać do cięcia innych materiałów aniżeli jest to podane w instrukcji obsługi.

Przecinarkę ściernicową można transportować tylko za chwyt ręczny przy zazębionym zabezpieczeniu transportowym.

Przecinarki ściernicowe można używać tylko ze sprawnie działającą i należycie konserwowaną osłoną. Osłona winna samoczynnie wracać do położenia zamkniętego.

Przed uruchomieniem urządzenia należy dokręcić nakrętkę regulacyjną.

Nie wolno używać tarcz tnących, które są uszkodzone lub zdeformowane.

Tarcze tnące należy zawsze stosować i przechowywać zgodnie z zaleceniami producenta.

Stosować wyłącznie tarcze tnące dopuszczone do posiadane go elektronarzędzia oraz przewidziane osłony. Ściernice, które nie są przewidziane do danego elektronarzędzia, nie mogą być dostatecznie osłonięte i są niebezpieczne.

Nie należy stosować żadnych tarcz tańczących lub pił tnących. Takie narzędzia robocze powodują często odrzut i utratę panowania nad elektronarzędziem.

Zawsze stosować osłony. Osłona winna być zawsze pewnie zamocowana na elektronarzędziu i tak ustawiona, aby można było zapewnić maksymalne bezpieczeństwo, tzn. aby możliwie jak najmniejsza część tarczy tnącej była odsłonięta od strony obsługującego. Osłona winna chronić obsługującego przed odłamkami i przed przypadkowym zetknięciem się ze ściernicą.

Tarcze tnące i kołnierze mocujące winny dokładnie pasować do wrzeciona przecinarki.

Sprawdzić tarczę tnącą przed użyciem. Tarcza tnąca winna być prawidłowo zamontowana i obracać się swobodnie. Dokonać próbnego włączenia na co najmniej 30 sekund bez obciążenia. Nie używać tarcz tnących uszkodzonych, nie okrągłych lub wibrujących.

Stosować tylko nieuszkodzone kołnierze mocujące o prawidłowej wielkości i prawidłowym kształcie dla danej tarczy tnącej. Odpowiednie kołnierze mocujące służą jako oparcie dla tarczy tnącej i w ten sposób zmniejszają niebezpieczeństwo jej pęknięcia.

Podczas przecinania przedmiotów metalowych powstaje sноп iskier. Zwracać uwagę aby nie narazić na

niebezpieczeństwo żadnych osób. Z uwagi na niebezpieczeństwo pożaru w pobliżu (w obszarze sropa iskier) nie mogą znajdować się żadne materiały palne. Nie stosować układów odpylania.

Nie używać uszkodzonych tarcz tnących. Przed każdym użyciem sprawdzić tarczę tnącą pod kątem ubytków i pęknięć, a ściernicę talerzową pod kątem pęknięć, stępienia i znacznego zużycia.

Po wyłączeniu urządzenia nie zatrzymuje się od razu (obrót bezwładnościowy). Odczekać po wyłączeniu, dopóki tarcza tnąca się nie zatrzyma.

Unikać blokowania tarczy tnącej na skutek zbyt dużej siły docisku.

W przypadku zakleszczenia się tarczy tnącej lub zatrzymania pracy należy wyłączyć elektronarzędzie i odczekać dopóki tarcza tnąca się nie zatrzyma. Nie należy nigdy próbować wyciągać wirującej tarczy z przecinanego materiału ponieważ może nastąpić odrzut. Zbadać i usunąć przyczynę zakleszczenia.

Nie włączać nigdy z powrotem narzędzia dopóki tarcza tnąca znajduje się w materiale. Najpierw odczekać aż tarcza tnąca osiągnie pełną liczbę obrotów i dopiero wtedy kontynuować cięcie. W przeciwnym razie tarcza tnąca może się zakleszczyć, wyskoczyć z przecinanego przedmiotu i spowodować odrzut.

Przecinany przedmiot winien być pewnie zamocowany.

Regularnie czyścić szczeliny wentylacyjne elektronarzędzia. Wentylator silnika zasysa pył do wnętrza obudowy, a silne nagromadzenie się pyłu metalowego może spowodować zagrożenie porażenia prądem elektrycznym.

Upewnić się, czy maszyna jest zawsze pewnie osadzona (np. zamocowana na stole warsztatowym).

Długie przedmioty obrabiane należy odpowiednio podprześć.

#### WARUNKI UŻYTKOWANIA

Przecinarka ściernicowa jest przeznaczona do przycinania na długości kształtowników metalowych, rur metalowych i prętów metalowych. Urządzenie nie nadaje się do obróbki drewna.

Produkt można użytkować wyłącznie zgodnie z jego normalnym przeznaczeniem.

#### DEKLARACJA ZGODNOŚCI CE

Oświadczamy z pełną odpowiedzialnością, że produkt ten odpowiada wymaganiom następujących norm i dokumentów normatywnych EN 61029, EN 55014-1, EN 55014-2, EN 61000-3-2, EN 61000-3-3, i jest zgodny z wymaganiami dyrektywy 2006/42/WE, 2004/108/EWG



Winnenden, 2010-09-21

Rainer Kumpf  
Manager Product Development

Uppełnomocniony do zestawienia danych technicznych

#### PODŁĄCZENIE DO SIECI

Podłączać tylko do źródła zasilania prądem zmiennym jednofazowym i wyłącznie o napięciu podanym na tabliczce znamionowej. Możliwe jest również podłączenie do gniazdka bez uziemienia, ponieważ konstrukcja odpowiada II klasie bezpieczeństwa.

#### UTRZYMANIE I KONSERWACJA

Otwory wentylacyjne elektronarzędzia muszą być zawsze drożne.

Należy stosować wyłącznie wyposażenie dodatkowe i części zamienne Milwaukee. W przypadku konieczności wymiany części, dla których nie podano opisu, należy skontaktować się z przedstawicielami serwisu Milwaukee (patrz lista punktów obsługi gwarancyjnej/serwisowej).

Na życzenie można otrzymać rysunek widoku zespołu rozebranego. Przy zamawianiu należy podać dziesięciocyfrowy numer oraz typ elektronarzędzia umieszczony na tabliczce znamionowej. Zamówienia można dokonać albo u lokalnych przedstawicieli serwisu, albo bezpośrednio w Milwaukee Electric Tool, Max-Eyth-Straße 10, D-71364 Winnenden, Germany.

#### SYMBOLE



Przed uruchomieniem elektronarzędzia zapoznać się uważnie z treścią instrukcji.



Przed przystąpieniem do jakichkolwiek prac przy elektronarzędziu należy wyjąć wtyczkę z kontaktu.



Podczas pracy należy zawsze nosić okulary ochronne.



Nie wyrzucaj elektronarzędzi wraz z odpadami z gospodarstwa domowego! Zgodnie z Europejską Dyrektywą 2002/96/WE w sprawie zużytego sprzętu elektrotechnicznego i elektronicznego oraz dostosowaniem jej do prawa krajowego, zużyte elektronarzędzia należy posegregować i zutylizować w sposób przyjazny dla środowiska.

MŰSZAKI ADATOK	Sarokcsiszolót	CHS 355 (110-120 V)	CHS 355 (220-240 V)
Névleges teljesítményfelvétel.....	1800 W	2300 W	
Üresjárat fordulatszám.....	3800 min <sup>-1</sup>	3800 min <sup>-1</sup>	
Vágókorong-Ø.....	355 mm	355 mm	
A vágókorong furatátmérője (Ø).....	25,4 mm	25,4 mm	
Súly a 01/2003 EPTA-eljárás szerint.....	17,5 kg	17,5 kg	

#### Zajinformáció

A közölt értékek megfelelnek az EN 61029 szabványnak.  
A készülék munkahelyi zajszintje tipikusan:

Hangnyomás szint (K=3 dB(A)).....	91 dB (A)	94,5 dB (A)
Hangteljesítmény szint (K=3 dB(A)).....	104 dB (A)	107,5 dB (A)

#### Hallásvédő eszköz használata ajánlott!

#### Vibráció-információk

Összesített rezgésértékek (három irány vektorális összege)  
az EN 61029-nek megfelelően meghatározva:

a <sub>h</sub> rezgésemisszió érték.....	3,1 m/s <sup>2</sup>	3,1 m/s <sup>2</sup>
K bizonytalanság = .....	1,5 m/s <sup>2</sup>	1,5 m/s <sup>2</sup>

#### FIGYELMEZTETÉS

A jelen utasításokban megadott rezgésszint értéke az EN 61029-ben szabályozott mérési eljárásnak megfelelően került leírásra, és használható elektromos szerszámokkal történő összehasonlításhoz. Az érték alkalmas a rezgésterhelés előzetes megbecslésére is.

A megadott rezgésszint-érték az elektromos szerszám legfőbb alkalmazásait reprezentálja. Ha az elektromos szerszámot azonban más alkalmazásokhoz, eltérő használt szerszámokkal vagy nem elegendő karbantartással használják, a rezgésszint értéke eltérő lehet. Ez jelentősen megnövelheti a rezgésterhelést a munkavégzés teljes időtartama alatt.

A rezgésterhelés pontos megbecsléséhez azokat az időket is figyelembe kell venni, melyekben a készülék lekapcsolódik, vagy ugyan működik, azonban ténylegesen nincs használatban. Ez jelentősen csökkentheti a munkavégzés teljes időtartama alatt.

Határozzon meg további biztonsági intézkedéseket a kezelő védelmére a rezgések hatása ellen, például: az elektromos és a használt szerszámok karbantartásával, a kezek melegen tartásával, a munkafolyamatok megszervezésével.

**▲ FIGYELMEZTETÉS! Olvasson el minden biztonsági útmutatót és utasítást, a mellékelt brosúrában találhatóakat is.** A következőkben leírt előírások betartásának elmulasztása áramütésekhez, tűzhöz és/vagy súlyos testi sérülésekhez vezethet.  
**Kérjük a későbbi használatra gondosan őrizze meg ezeket az előírásokat.**

#### KÜLÖNLEGES BIZTONSÁGI TUDNIVALÓK

**Viseljen hallásvédőt.** A zajhatás a hallás elvesztését eredményezheti.

Szabadban a dugaljat hibaáram-védőkapcsolóval kell ellátni. Az elektromos készülékek üzembelhelyezési útmutatása ezt kötelezően előírja (FI, RCD, PRCD).  
Ügyeljen erre az elektromos kéziszerszámok használatakor is.

Bármilyen jellegű karbantartás vagy javítás előtt a készüléket áramtalanítani kell.

A készüléket csak kikapcsolt állapotban szabad ismét áram alá helyezni.

Munka közben a hálózati csatlakozókábel a sérülés elkerülése érdekében a munkaterülettől, illetve a készüléktől távol kell tartani.

Használjon védőfelszerelést! Ha a gépen dolgozik, mindig hordjon védőszemüveget! Javasoljuk a védőruházat, úgymint porvédő maszk, védőcipő, erős és csúszásbiztos lábbeli, sisak és hallásvédő használatát.

A munka közben keletkezett forgácsokat, szilánkokat, törmelékét, stb. csak a készülék teljes leállása után szabad a munkaterületől eltávolítani.

A működő készülék munkaterületére nyúlni balesetveszélyes és tilos.

A készülék biztonságtechnikai felszereléseit feltétlenül használni kell.

A sarokcsiszolót soha nem szabad a kezelési útmutatóban megadott anyagoktól eltérő anyagok vágásához használni.

A sarokcsiszolót csak rögzített szállítási biztosítóval - amely a kezi fogantyún található - szabad szállítani.

A sarokcsiszolót csak biztonságosan működő és jól karbantartott védőburkolattal szabad használni. A védőburkolatnak önműködően vissza kell fordulni.

A készülék használata előtt vizsgálja meg, hogy a szorítóanya megfelelően meg van-e húzva.

Nem szabad sérült vagy deformálódott vágókorongot használni.

A vágókorongokat mindig a gyártó által megadott adatok alapján kell használni és tárolni.

Kizárólag az Ön elektromos szerszámaéhoz megengedett vágókorongokat és az előírányozott védőburkolatot használja. A nem az elektromos szerszámhoz való csiszolótesteket nem lehet elegendő mértékben leválasztani és nem biztonságosak.

Nem szabad láncos vagy fogazott fűrészlapot használni. Az ilyen használt szerszámok gyakran visszaruágást okoznak, vagy az elektromos szerszám feletti ellenőrzés elvesztéséhez vezetnek.

Mindig használja a védőburkolatot. A védőburkolatot fel kell szerelni az elektromos szerszámmra, és úgy kell beállítani, hogy maximális biztonság legyen elérhető, azaz a vágókorong lehető legkisebb része mutasson burkolatlanul a kezelőszemély felé. A védőburkolatnak meg kell védenie a kezelőszemélyt a letört daraboktól vagy a csiszolótesttel történő véletlen érintkezéstől.

A vágókorongoknak és karimáknak pontosan kell illeszkedniük az Ön elektromos szerszámaának csiszolóorsójához.

A vágókorongokat használat előtt ellenőrizni kell. A vágókorongnak kifogástalanul kell felszerelve lennie, és könnyen kell tudnia szabadon forogni. Legalább 30 másodperces terhelés nélküli próbajáratást kell végezni. Tilos sérült, nem kerek vagy vibráló vágókorongot használni

Mindig megfelelő méretű és formájú, ép feszítőkarimákat használjon az Ön által választott vágókoronghoz. A

megfelelő karimák megtámasztják a vágókorongot, és így lecsökkentik a korongtörés veszélyét.

Fémek vágásakor szikrahullás keletkezik. Ügyelni kell arra, hogy személyek ne legyenek veszélynek kitéve. A tűzveszély miatt nem szabad éghető anyagoknak a közelben (a szikrahullás tartományában) lenniük. Nem szabad porelszívást használni.

Ne használjon sérült vágókorongokat. Minden használat előtt ellenőrizze a vágókorongokat törések és repedések, a csiszolóanyagoktól repedések, kopás vagy erős elhasználódás szempontjából.

Lekapcsolás után a gép nem áll le azonnal (a vágókorong utánfutása miatt). Meg kell várni, hogy lekapcsolás után leálljon a vágókorong.

Akadályozza meg a vágókorong blokkolódását vagy a túl nagy rászorítási nyomást.

Ha a vágókorong megszorul, vagy Ön megszakítja a munkát, kapcsolja ki az elektromos szerszámot, és várja meg, míg leáll a korong. Soha ne próbálja meg a még forgó vágókorongot kihúzni a munkadarabból, különben visszaruágás történhet. Határozza és szüntesse meg a szorulás okát.

Addig ne kapcsolja be újra az elektromos szerszámot, amíg az a munkadarabban található. A vágás óvatosságot igényel, amíg először hagyja a vágókorongot teljes fordulatszámát elérni. Ellenkező esetben a korong megakadhat, kiugorhat a munkadarabból vagy visszaruágást okozhat.

A megmunkálendő munkarabot szorosan be kell fogni

Rendszeresen tisztítsa ki az elektromos szerszám szellőzőréseit. A motoros kompresszor port szív a házba, és a jelentős mennyiségű felgyülemlett fémport elektromos veszélyt okozhat.

Biztosítani kell, hogy a gép helyzete állandóan biztonságos legyen (pl. rögzítve legyen a munkapadon).

A hosszú munkadarabokat alkalmas módon meg kell támasztani.

#### RENDELTETÉSSZERŰ HASZNÁLAT

A sarokcsiszoló fémprofilok, fémcsövek és fémrudak vágására alkalmas. A gép nem alkalmas fa megmunkálására.

A készüléket kizárólag az alábbiakban leírtaknak megfelelően szabad használni.

#### CE-AZONOSSÁGI NYILATKOZAT

Teljes felelősségünk tudatában kijelentjük, hogy jelen termék megfelel a következő szabványoknak vagy szabványossági dokumentumoknak: EN 61029, EN 55014-1, EN 55014-2, EN 61000-3-2, EN 61000-3-3, a 2006/42/EK, 2004/108/EK irányelvek határozataival egyetértésben.



Winnenden, 2010-09-21

Rainer Kumpf  
Manager Product Development

Műszaki dokumentáció összeállításra felhatalmazva

#### HÁLÓZATI CSATLAKOZTATÁS

A készüléket csak egyfázisú váltóáramra és a teljesítménytáblán megadott hálózati feszültségre csatlakoztassa. A csatlakoztatás védőérintkező nélküli dugaszolóaljzatokra is lehetséges, mivel a készülék felépítése II. védettségű osztályú.

#### KARBANTARTÁS

A készülék szellőzőnyílásait mindig tisztán kell tartani.

Javításhoz, karbantartáshoz kizárólag Milwaukee alkatrészeket és tartozékokat szabad használni. A készülék azon részeinek cseréjét, amit a kezelési útmutató nem engedélyez, kizárólag a javításra feljogosított márkaszerviz végezheti. (Lásd a szervizlistát)

Szükség esetén a készülékek robbantott ábráját - a készülék típusa és tízegegyűl azonosító száma alapján a területileg illetékes Milwaukee márkaszerviztől vagy közvetlenül a gyártótól (Milwaukee Electric Tool, Max-Eyth-Straße 10, D-71364 Winnenden, Germany) lehet kérni.

#### SZIMBÓLUMOK



Kérjük alaposan olvassa el a tájékoztatót mielőtt a gépet használja.



Karbantartás, javítás, tisztítás, stb. előtt a készüléket áramtalanítani kell.



Munkavégzés közben ajánlatos védőszemüveget viselni.



Az elektromos kéziszerszámokat ne dobja a háztartási szemétkébe!  
A használt villamos és elektronikai készülékekről szóló 2002/96/EK irányelv és annak a nemzeti jogba való átültetése szerint az elhasznált elektromos kéziszerszámokat külön kell gyűjteni, és környezetbarát módon újra kell hasznosítani.



TEHNIČNI PODATKI	Rezalno	CHS 355 (110-120 V)	CHS 355 (220-240 V)
Nazivna sprejemna moč	1800 W	2300 W	
Število vrtljajev v prostem teku	3800 min <sup>-1</sup>	3800 min <sup>-1</sup>	
Rezalne plošče- $\phi$	355 mm	355 mm	
$\phi$ -izvrtine rezalne plošče	25,4 mm	25,4 mm	
Teža po EPTA-proceduri 01/2003	17,5 kg	17,5 kg	

#### Informacije o hrupnosti

Vrednosti merjenja ugotovljene ustrezno z EN 61029.

Raven hrupnosti naprave ovrednotena z A, znaša tipično:

Nivo zvočnega tlaka (K=3dB(A))	91 dB (A)	94,5 dB (A)
Višina zvočnega tlaka (K=3dB(A))	104 dB (A)	107,5 dB (A)

#### Nosite zaščito za sluh!

#### Informacije o vibracijah

Skupna vibracijska vrednost (Vektorska vsota treh smeri) določena ustrezno EN 61029:

Vibracijska vrednost emisij a <sub>h</sub>	3,1 m/s <sup>2</sup>	3,1 m/s <sup>2</sup>
Nevarnost K	1,5 m/s <sup>2</sup>	1,5 m/s <sup>2</sup>

#### OPOZORILO

V teh navodilih navedena raven tresljajev je bila izmerjena po EN 61029 normiranem merilnem postopku in lahko služi medsebojni primerjavi električnih orodij. Prav tako je primeren za predhodno oceno obremenitve s tresljaji.

Navedena raven tresljajev navaja najpomembnejše vrste rabe električnega orodja. Kadar se električno orodje uporablja za drugačne namene, z odstopajočimi orodji ali pa z nezadostnim vzdrževanjem, lahko raven tresljajev tudi odstopa. Le to lahko čez celoten delovni čas znatno zviša obremenitev s tresenjem.

Za natančno oceno obremenitve s tresljaji naj bi se upošteval tudi čas v katerem je naprava izklopljena ali sicer teče, vendar dejansko ni v rabi. Le to lahko obremenitev s tresljaji čez celoten delovni čas znatno zmanjša.

Za zaščito upravljalca pred učinkom tresljajev uvedite dodatne zaščitne ukrepe npr.: Vzdrževanje električnega orodja in orodja, delo s toplimi rokami, organizacija delovnih potekov.

**⚠ OPOZORILO! Preberite vsa varnostna opozorila in navodila, tudi tista v priloženi brošuri.** Napake zaradi neupoštevanja spodaj navedenih opozoril in napotil lahko povzročijo električni udar, požar in/ali težke telesne poškodbe.  
**Vsa opozorila in napotila shranite, ker jih boste v prihodnje še potrebovali.**

#### SPECIALNI VARNOSTNI NAPOTKI

**Nosite zaščito za sluh.** Razvijanje hrupa lahko povzroči izgubo sluha.

Vtičnice v zunanem področju morajo biti opremljene z zaščitnimi stikali za okvarni tok (FI, RCD, PRCD). To zahteva instalacijski predpis za vašo električno napravo. Prosimo, da to pri uporabi naše naprave upoštevate.

Pred vsemi deli na stroju izvlecite vtičak iz vtičnice.

Stroj priklopite na vtičnico samo v izklopljenem stanju.

Vedno pazite, da se priključni kabel ne približa področju delovanja stroja. Kabel vedno vodite za strojem.

Uporabite zaščitno opremo. Pri delu s strojem vedno nosite zaščitna očala. Priporočajo se zaščitna oblačila, kot npr. maska za zaščito proti prahu, zaščitne rokavice, trdno in nedrseče obuvanje, čelada in zaščita za sluh.

Trske ali iveri se pri tekočem stroju ne smejo odstranjevati.

Ne segajte na področje nevarnosti tekočega stroja.

Brezpogojno uporabljajte zaščitne priprave stroja.

Rezalne brusilke nikdar ne uporabljajte za razrez drugih materialovod tistih, ki so navedeni v navodilih za uporabo.

Rezalno brusilko transportirajte zgolj z zaskočenim transportnim varovalom.

Rezalno brusilko uporabljajte samo v primeru varno delujočega in dobro vzdrževanega varovalnega ščita.

Varovalni ščit mora saodejno zanihati nazaj.

Matica prirobnice mora biti pred zagonom stroja zategnjena.

Poškodovanih ali deformiranih rezalnih plošč ne uporabljajte.

Rezalne plošče zmeraj uporabljajte in shranjujte ustrezno navedbam proizvajalca.

Uporabljajte izključno za vaše električno orodje dopuščene rezalne plošče in predviden varovalni ščit. Brusilnih teles, ki niso predvidena za to električno orodje, ni mogoče v zadostni meri zasloniti in niso varna.

Ne uporabljajte verižnega ali zobatega žaginega lista. Tovrstna orodja pogosto povzročajo povraten udar ali izgubo nadzora nad električnim orodjem.

Zmeraj uporabljajte varovalni ščit. Varovalni ščit mora biti na električnem orodju varnonameščen in tako nastavljen, da je dosežena najvišja stopnja zaščite, t.j. najmanjši del rezalne plošče kaže prosto v smeri proti uporabniku. Varovalni ščit naj bi uporabnika ščitil pred drobci in naključnem stiku z brusilnim telesom.

Rezalne plošče in prirobnica morata natančno nalegati na brusilno vreteno vašega električnega orodja.

Rezalne plošče pred uporabo pregledati. Rezalna plošča mora biti brezhibno nameščena in prosto vrtljiva. Izvedite preizkusni tek vsaj 30 sekund brez obremenitve.

Poškodovanih, neokroglih ali vibrirajočih rezalnih plošč ne uporabljajte.

Za vaše brusilne plošče uporabljajte zmeraj nepoškodovane napejalne prirobnice, pravilne velikosti in oblike. Primerne prirobnice opirajo rezalno ploščo in s tem zmanjšujejo nevarnost loma rezalne plošče.

V primeru razreza kovin nastaja iskenje. Bodite pozorni, da osebe ne bodo ogrožene. Zaradi nevarnosti požara se v bližini (nevarnost letočih isker) ne smejo nahajati nobeni gorljivi materiali. Ne uporabljajte sesalcev za prah.

Ne uporabljajte poškodovanih rezalnih plošč. Pred vsako uporabo kontrolirajte rezalno ploščo glede na drobce in razpoke, brusni krodnik glede na razpoke, obrabo ali močno obrabljenost.

Po izklopu se stroj takoj ne ustavi (iztek rezalne plošče). Po izklopu počakati na mirovanje rezalne plošče.

Izogibajte se blokiranju rezalne plošče ali previsokemu pritisku.

V kolikor je rezalna plošča zaskočena ali delo prekinjate, električno orodje izklopite in počakajte dokler se rezalna plošča ne ustavi. Nikdar ne poizkušajte vrtečo se rezalno ploščo izvleči iz obdelovanca, ker lahko pride do povratnega udara. Ugotovite in odpravite razloge za zaskok.

Električnega orodja ponovno ne vklaplajte, dokler se nahaja v obdelovancu. Pustite naj rezalna plošča sprva doseže svoje polno število vrtljajev, preden z rezom previdno nadaljujete. V nasprotnem primeru se ploča lahko zaskoči, skoči iz obdelovanca ali povzroči povratni udar.

Obdelovan surovec mora biti trdno vpjet

Redno čistite prezračevalne reže vašega električnega orodja. Ventilator motorja sesa v ohišje prah in nabran kovinski prah lahko povzroča električne nevarnosti.

Zagotovite, da bo stroj zmeraj stal varno (npr. pritrđitev na pulj).

Dolge obdelovance je potrebno podpreti.

#### UPORABA V SKLADU Z NAMEMBNOSTJO

Rezalna brusilka je primerna za rezanje kovinskih profilov na dolžino, kovinskih cevi in kovinskih palic. Stroj za obdelavo lesa ni primeren.

Ta naprava se sme uporabiti samo v skladu z namembnostjo uporabiti samo za navede namene.

#### CE-IZJAVA O KONFORMNOSTI

Z lastno odgovornostjo izjavljamo, da je ta produkt skladen z naslednjimi normami ali normativnimi dokumenti. EN 61029, EN 55014-1, EN 55014-2, EN 61000-3-2, EN 61000-3-3, v skladu z določili smernic 2006/42/EC, 2004/108/EC.



Winnenden, 2010-09-21

Rainer Kumpf  
Manager Product Development

Pooblaščen za izdelavo spisov tehnične dokumentacije.

#### OMREŽNI PRIKLJUČEK

Priključite samo na enofazni izmenični tok in samo na omrežno napetost, ki je označena na tipski ploščici. Priključitev je možna tudi na vtičnice brez zaščitnega kontakta, ker obstaja nadgradnja zaščitnega razreda.

#### VZDRŽEVANJE

Pazite na to, da so prezračevalne reže stroja vedno čiste.

Uporabljajte samo Milwaukee pribor in nadomestne dele. Poskrbite, da sestavne dele, katerih zamenjava ni opisana, zamenjajo v Milwaukee servisni službi (upoštevajte brošuro Garancija/Naslovi servisnih služb).

Po potrebi se lahko pri vaši servisni službi ali direktno pri Milwaukee Electric Tool naroči eksplozijska risba naprave ob navedbi tipa stroja in desetmestne številke s tipske ploščice Milwaukee Electric Tool, Max-Eyth-Straße 10, D-71364 Winnenden, Germany.

#### SIMBOLI



Prosimo, da pred uporabo pozorno preberete to navodilo za uporabo.



Pred vsemi deli na stroju izvlecite vtičak iz vtičnice.



Pri delu s strojem vedno nosite zaščitna očala.



Električnega orodja ne odstranjujte s hišnimi odpadki! V skladu z Evropsko direktivo 2002/96/EC o odpadni elektricni in elektronski opremi in z njenim izvajanjem v nacionalni zakonodaji je treba električna orodja ob koncu njihove življenjske dobe loceno zbirati in jih predati v postopek okolju prijaznega recikliranja.



TEHNIČKI PODACI	Rezač	CHS 355 (110-120 V)	CHS 355 (220-240 V)
Snaga nominalnog prijema.....	1800 W	2300 W	
Broj okretaja praznog hoda.....	3800 min <sup>-1</sup>	3800 min <sup>-1</sup>	
Rezne ploče-Ø.....	355 mm	355 mm	
Ø-bušotine rezne ploče.....	25,4 mm	25,4 mm	
Težina po EPTA-proceduri 01/2003.....	17,5 kg	17,5 kg	

#### Informacije o buci

Mjerne vrijednosti utvrđene odgovarajuće EN 61029. A-ocijenjeni nivo buke aparata iznosi tipično:

nivo pritiska zvuka (K = 3 dB(A)).....	91 dB (A)	94,5 dB (A)
nivo učinka zvuka (K = 3 dB(A)).....	104 dB (A)	107,5 dB (A)

#### Nositi zaštitu sluha!

#### Informacije o vibracijama

Ukupne vrijednosti vibracije (vektor suma tri smjera) su odmjerene odgovarajuće EN 61029:

Vrijednost emisije vibracije a <sub>w</sub> .....	3,1 m/s <sup>2</sup>	3,1 m/s <sup>2</sup>
Nesigurnost K = .....	1,5 m/s <sup>2</sup>	1,5 m/s <sup>2</sup>

#### UPOZORENJE

Ova u ovim uputama navedena razina titranja je bila izmjerena odgovarajuće jednom u EN 61029 normiranom mjernom postupku i može se upotrijebiti za usporedbu električnog alata međusobno. Ona je prikladna i za privremenu procjenu titrajnog opterećenja.

Navedena razina titranja reprezentira glavne primjene električnog alata. Ukoliko se električni alat upotrebljava u druge svrhe sa odstupajućim primijenjenim alatima ili nedovoljnim održavanjem, onda razina titranja može odstupati. To može titrajno opterećenje kroz cijeli period rada bitno povišiti.

Za točnu procjenu titrajnog opterećenja se moraju uzeti u obzir i vremena u kojima je uređaj isključen ili u kojima doduše radi, ali nije i stvarno u upotrebi. To može titrajno opterećenje bitno smanjiti za vrijeme cijelog radnog perioda.

Utvrđite dodatne sigurnosne mjere za zaštitu poslužioca protiv djelovanja titranja kao npr.: Održavanje električnih alata i upotrebljenih alata, održavanje topline ruku, organizacija i radne postupke.

**⚠ UPOZORENIE! Pročitajte sigurnosne upute i uputnice, isto i one iz priložene brošure.** Ako se ne bi poštivale napomene o sigurnosti i upute to bi moglo uzrokovati strujni udar, požar i/ili teške ozljede. **Sačuvajte sve napomene o sigurnosti i upute za buduću primjenu.**

#### SPECIJALNE SIGURNOSNE UPUTE

**Nosite zaštitu za sluh.** Djelovanje buke može dovesti do gubitka sluha.

Utičnice na vanjskom području moraju biti opremljene zaštitnim prekidačima za pogrešnu struju (FI, RCD, PRCD). To zahtjeva instalacijski propis za električne uređaje. Molimo da ovo poštujete prilikom upotrebe našeg aparata.

Prije radova na stroju izvući utikač iz utičnice.

Samo isključeni stroj priključiti na utičnicu.

Priključni kabel uvijek držati udaljenim sa područja djelovanja. Kabel uvijek voditi od stroja prema nazad.

Upotrebljavati zaštitnu opremu. Kod radova sa strojem uvijek nositi zaštitne naočale. Preporučuje se zaštitna odjeća, kao zaštitna maska protiv prašine, zaštitne rukavice, čvrste i protiv klizanja sigurne cipele, šljem i zaštitu sluha.

Piljevina ili iverje se za vrijeme rada stroja ne smiju odstranjivati.

Ne sezati u područje opasnosti radećeg stroja.

Bezuvjetno upotrijebiti zaštitnu napravu stroja.

Odvajni brusac nikada ne upotrebljavati za rezanje drugih materijala, osim onih koji su navedeni u uputi za posluživanje.

Odvajčki brusac transportirati samo sa uskočenim transportnim osiguračem na dršku.

Odvajčki brusac koristiti samo sa sigurno funkcionirajućom i održavanom zaštitnom haubom. Zaštitna hauba se mora samostalno vratiti nazad.

Matica prirubnice mora prije puštanja stroja u rad biti zategnuta.

Koristiti samo neoštećene i neizobilježene rezne ploče.

Rezne ploče uvijek koristiti i čuvati prema podacima proizvođača.

Upotrebljavajte isključivo rezne ploče odobrene za Vaš električni alat i predviđenu zaštitnu haubu. Brusna tijela, koja nisu predviđena za Vaš električni alat se ne mogu dovoljno zakriliti i nesigurni su.

Nemojte upotrebljavati lančani ili nazubljeni list pile. Ovakvi radni alati često uzrokuju povratni udar i gubitak kontrole nad električnim alatom.

Koristite uvijek zaštitnu haubu. Zaštitna hauba mora na siguran način biti postavljena na električnom alatu i biti tako podešena, da se postigne najveća mjera sigurnosti, t.j. najmanji mogući dio rezne ploče pokazuje otvoreno prema poslužiocu. Zaštitna hauba treba poslužioca štiti protiv lomivih komada i protiv slučajnog kontakta sa brusnim tijelom.

Rezne ploče i prirubnice moraju točno pristajati na brusno vreteno Vašeg električnog alata.

Reznu ploču prije upotrebe provjeriti. Rezna ploča mora biti besprijekorno montirana i slobodno se okretati. Probni rad izvesti najmanje 30 sekundi bez opterećenja. Oštećene, neokrugle ili vibrirajuće rezne ploče ne upotrebljavati

Upotrebljavajte uvijek neoštećene stezne prirubnice točne veličine i oblika, za rezne ploče koje ste izabrali. Prikladne prirubnice podupiru reznu ploču i smanjuju tako opasnost od loma rezne ploče.

Kod rezanja metala dolazi do leta iskra. Obratite pažnju na to, da se ne ugrožavaju osobe. Zbog opasnosti od požara se u blizini ne smiju nalaziti nikakvi goviri materijali (područje leta iskra). Ne upotrebljavati usisavanje prašine.

Nemojte koristiti oštećene rezne ploče. Prije svake upotrebe kontrolirajte rezne ploče u svezi cijepanja i pukotina, brusni tanjur kontrolirati us vezi pukotina, habanja ili jakog trošenja.

Poslije isključenja se stroj na zaustavlja odmah (naknadno okretanje rezne ploče). Pričekati zaustavljanje rezne ploče poslije isključenja.

Izbjegavajte blokiranje rezne ploče ili previsoku tlačnu silu.

Ako se rezna ploča zaglavi ili ako prekinete rad, isključite električni alat i čekajte dok se ploča ne zaustavi. Nemojte nikada pokušavati, još okretajuću reznu ploču izvaditi iz materijala, inače može doći do povratnog udara. Pronađite i uklonite uzrok zaglavljenja.

Schalten Sie das Elektrowerkzeug nicht wieder ein, solange es sich im Werkstück befindet. Lassen Sie die Trennscheibe erst ihre volle Drehzahl erreichen, bevor Sie den Schnitt vorsichtig fortsetzen. Anderenfalls kann die Scheibe verhaken, aus dem Werkstück springen oder einen Rückschlag verursachen.

Materijal koji se obrađuje mora biti čvrsto stegnut Čistite redovno proreze provjetravanja Vašeg električnog alata. Motorni ventilator uvlači prašinu u kućište, a velika nakupina metalne prašine može prouzročiti električne opasnosti.

Utvrđiti da stroj uvijek ima sigurnu poziciju stajanja (npr. pričvršćenje na radioničkom stolu).

Materijali velike dužine koji se obrađuju, se moraju prikladno poduprijeti.

#### PROPISNA UPOTREBA

Rezni brusac je prikladan za odrezivanje metalnih profila, metalnih cijevi i metalnih štapova. Stroj nije prikladan za obradu drveta.

Ovaj aparat se smije upotrijebiti samo u određene svrhe kao što je navedeno.

#### CE-IZJAVA KONFORMNOSTI

Izjavljujemo na osobnu odgovornost, da se ovaj proizvod slaže sa slijedećim normama ili normativnim dokumentima. EN 61029, EN 55014-1, EN 55014-2, EN 61000-3-2, EN 61000-3-3, po odredbama smjernica 2006/42/EC, 2004/108/EC.



Winnenden, 2010-09-21

Rainer Kumpf  
Manager Product Development

Ovlašten za formiranje tehničke dokumentacije.

#### PRIKLJUČAK NA MREŽU

Priključiti samo na jednofaznu naizmjeničnu struju i samo na napon struje, naveden na pločici snage. Priključak je moguć i na utičnice bez zaštitnog kontakta, jer postoji dogradnja zaštitne klase II.

#### ODRŽAVANJE

Proreze za prozračivanje stroja uvijek držati čistima.

Primijeniti samo Milwaukee opremu i rezervne dijelove. Sastavne dijelove, čija zamjena nije opisana, dati zamijeniti kod jedne od Milwaukee servisnih službi (poštivati brošuru Garancija/Adrese servisa).

Po potrebi se može zatražiti crtež eksplozije aparata uz davanje podataka o tipu stroja i desetoznamenastog broja na pločici snage kod Vaše servisne službe ili direktno kod Milwaukee Electric Tool, Max-Eyth-Straße 10, D-71364 Winnenden, Germany.

#### SIMBOLI



Molimo da pažljivo pročitate uputu o upotrebi prije puštanja u rad.



Prije svih radova na stroju utikač izvući iz utičnice.



Kod radova na stroju uvijek nositi zaštitne naočale.



Električne alate ne odlažite u kućne otpatke! Prema Europskoj direktivi 2002/96/EC o starim elektricnim i elektroničkim strojevima i preuzimanju u nacionalno pravo moraju se istrošeni električni alati sakupljati odvojeno i odvesti u pogon za reciklažu.

TEHNISKIE DATI	Leņķa slīpmašīnu	CHS 355 (110-120 V)	CHS 355 (220-240 V)
Nominālā atdotā jauda.....	1800 W	2300 W	
Agriezienu tukšgaitā .....	3800 min <sup>-1</sup>	3800 min <sup>-1</sup>	
Griezējdiska ø .....	355 mm	355 mm	
Griezējdiska urbšanas ø .....	25,4 mm	25,4 mm	
Svars atbilstoši EPTA -Procedure 01/2003.....	17,5 kg	17,5 kg	

#### Trokšņu informācija

Vērtības, kas noteiktas saskaņā ar EN 61029.

A novērtētās aparatūras skaņas līmenis ir:

trokšņa spiediena līmenis (K = 3 dB(A)).....	91 dB (A)	94,5 dB (A)
trokšņa jaudas līmenis (K = 3 dB(A)) .....	104 dB (A)	107,5 dB (A)

#### Nēsāt trokšņa slāpētāju!

#### Vibrāciju informācija

Svārstību kopējā vērtība (Trīs virzienu vektoru summa) tiek noteikta atbilstoši EN 61029:

Svārstību emisijas vērtība a <sub>n</sub> .....	3,1 m/s <sup>2</sup>	3,1 m/s <sup>2</sup>
Nedrošība K = .....	1,5 m/s <sup>2</sup>	1,5 m/s <sup>2</sup>

#### UZMANĪBU

Instrukcijā norādītā svārstību robežvērtība ir izmērīta mērījumu procesā, kas veikts atbilstoši standartam EN 61029, un to var izmantot elektroinstrumentu savstarpējai salīdzināšanai. Tā ir piemērota arī svārstību noslogojuma pagaidu izvērtēšanai.

Norādītā svārstību robežvērtība ir reprezentatīva elektroinstrumenta pamata pielietojuma jomām. Tomēr, ja elektroinstrumenti tiek pielietoti citās jomās, papildus izmantojot neatbilstošus elektroinstrumentus vai pēc nepietiekamas tehniskās apkopes, tad svārstību robežvērtība var atšķirties. Tas var ievērojami palielināt svārstību noslogojumu visa darba laikā.

Precīzai svārstību noslogojuma noteikšanai, ir jāņem vērā arī laiks, kad ierīces ir izslēgtas vai arī ir ieslēgtas, tomēr faktiski netiek lietotas. Tas var ievērojami samazināt svārstību noslogojumu visa darba laikā.

Integrējiet papildus drošības pasākumus pret svārstību ietekmi lietotājam, piemēram: elektroinstrumentu un darba instrumentu tehniskā apkope, roku siltuma uzturēšana, darba procesu organizācija.

**⚠ UZMANĪBU! Izlasiet visu drošības instrukciju un lietošanas pamācību klāt pievienotajā bukletā.** Seit sniegto drošības noteikumu un norādījumu neievērošana var izraisīt aizdegšanos un būt par cēloni elektriskajam triecienam vai nopietnam savainojumam.  
**Pēc izlasīšanas uzglabājiet šos noteikumus turpmākai izmantošanai.**

#### SPECĪLIE DROŠĪBAS NOTEIKUMI

**Nēsājiet ausu aizsargus.** Trokšņa iedarbības rezultātā var rasties dzirdes traucējumi.

Kontaktligzdām, kas atrodas ārpus telpām jābūt aprīkotām ar automātiskiem drošinātājslēdzīem, kas nostrādā, ja strāvas plūsmā radušies (FI, RCD, PRCD) bojājumi. To pieprasa jūsu elektroiekārtas instalācijas noteikumi. Lūdzu, to ņemt vērā, izmantojot mūsu instrumentus.

Pirms jebkādiem darbiem, kas attiecas uz mašīnas apkopi, mašīnu noteikti vajag atvienot no kontaktligzdas.

Mašīnu pievienot kontaktligzdai tikai izslēgtā stāvoklī.

Pievienojuma kabeli vienmēr turēt atstatu no mašīnas darbības lauka. Kabelim vienmēr jāatrodas aiz mašīnas.

Jāizmanto aizsargaprīkojums. Strādājot ar mašīnu, vienmēr jānēsā aizsargbrilles. Ieteicams nēsāt aizsargapģērbu, kā piemēram, aizsargmasku, aizsargcimdus, kurpes no stingra un neslīdīga materiāla, ķiveri un ausu aizsargus.

Skaidas un atlūzas nedrīkst ņemt ārā, kamēr mašīna darbojas.

Nelikot rokas mašīnas darbības laukā.

Noteikti vajag izmantot mašīnai paredzēto aizsargaprīkojumu.

Leņķa slīpmašīnu nekad neizmantojot citu materiālu griešanai nekā norādīts lietošanas instrukcijā.

Leņķa slīpmašīnu transportēt tikai ar rokturi iestiprinātu stiprinājumu transportēšanai.

Leņķa slīpmašīnu izmantot tikai ar droši funkcionējošu un rūpīgi pieskatītu aizsargkupuļu. Aizsargkupuļam jābūt ar automātisku atvēršanos atpakaļ.

Disku saturošo uzgriezni pirms mašīnas darba uzsākšanas vajag pievilkt.

Neizmantojot bojātus vai deformētus griezējdiskus.

Griezējdiskus vienmēr izmantot un uzglabāt atbilstoši ražotāja norādījumiem.

Izmantojiet tikai Jūsu elektroierīcei atļautos griezējdiskus un paredzēto aizsargkupuļu. Slīpripas, kuras nav paredzētas šai elektroierīcei, nav iespējams pietiekami nosēgt, un tās nav drošas.

Neizmantojiet ķēdes vai zobzāģa ripu. Šāda veida darba rīki bieži izraisa atsitieni vai elektroierīces kontroles zaudēšanu.

Vienmēr izmantojiet aizsargkupuļu. Tam pie elektroierīces jābūt kārtīgi piestiprinātam un novietotam tā, lai nodrošinātu maksimālu drošību, t.i., lai darbiniekam nebūtu atklāta ne mazākā griezējdiska daļa. Aizsargkupuļam jāaizsargā darbinieks no atlūzām un varbūtējā kontakta ar slīpripu.

Griezējdiskam un atlokam jābūt precīzi piemērotiem slīpvārpstai.

Griezējdisku pirms lietošanas pārbaudīt. Tam jābūt pareizi samontētam un brīvi jāgriežas. Veikt vismaz 30 sekunžu ilgu izmēģinājumu bez noslogojuma. Neizmantojot bojātus, deformētus un vibrējošus griezējdiskus.

Vienmēr izmantojiet nebojātus piespiedējatlokus, kuri pēc izmēra un formas atbilst Jūsu izvēlētajam griezējdiskam. Atbilstoši atloki balsta griezējdisku un samazina tā salūšanas risku.

Metāla atdalīšanas darba gaitā rodas dzirksteļu strēle. Rūpēties, lai netiktu savainoti cilvēki. Saistībā ar ugunsgrēka izcelšanās risku tuvumā (dzirksteļu strēles zonā) nedrīkst atrasties viegli uzliesmojoši materiāli. Neveikt putekļu nosūkšanu.

Neizmantojiet bojātus griezējdiskus. Pirms katras lietošanas pārbaudiet, vai griezējdiski nav ielīpīši vai noslāņojies, vai slīpripai nav plaisu, vai tā nav nodilusi vai stipri nolietota.

Pēc izslēgšanas ierīce uzreiz neapstājas (griezējdiska brīvskrējiens). Nogaidīt, līdz griezējdiski pēc izslēgšanas apstājas.

Izvaieties no griezējdiska nobloķēšanās vai pārāk stipra piespiediena.

Ja griezējdiski ieķeras vai Jūs pārtraucat darbu, elektroierīci izslēdziet un nogaidiet, līdz disks ir pilnībā apstājies. Nekad nemēģiniet griezošos griezējdisku izvilkt no sagataves, jo tas var izraisīt atsitieni. Noskaidrojiet un novērsiet traucējumu iemeslu.

Elektroierīci nekad neieslēdziet, kamēr tā atrodas sagatavē. Pirms uzmanīgi turpināt griešanu, nogaidiet, lai griezējdiski vispirms uzņem pilnu apgriezienu skaitu. Pretējā gadījumā disks var ieķerties, izlēkt no sagataves un izraisīt atsitieni.

Apstrādājamajai sagatavei jābūt kārtīgi nostiprinātai.

Regulāri iztīriet Jūsu elektroierīces vēdināšanas atveri. Motora gaisa kompresors korpusā iesūc putekļus, un liels daudzums metāla putekļu var izraisīt elektrorisku.

Nodrošināt, lai ierīce vienmēr stāvētu stabili (piem., piestiprinot pie darbgalda).

Garas apstrādājamās sagataves piemērotā veidā atbalstiet.

#### NOTEIKUMIEM ATBILSTOŠS IZMANTOJUMS

Leņķa slīpmašīna ir piemērota metāla profilu, cauruļu un stieņu sagarumošanai. Ierīce nav piemērota koka apstrādei. Šo instrumentu drīkst izmantot tikai saskaņā ar minētajiem lietošanas noteikumiem.

#### ATBILSTĪBA CE NORMĀM

Ar šo apliecinām, ka esam atbildīgi par to, lai šis produkts atbilstu sekojošām normām vai normatīvajiem dokumentiem: EN 61029, EN 55014-1, EN 55014-2, EN 61000-3-2, EN 61000-3-3, saskaņā ar direktīvu 2006/42/EK, 2004/108/EK noteikumiem.



Winnenden, 2010-09-21

Rainer Kumpf  
Manager Product Development

Pilnvarotais tehniskās dokumentācijas sastādīšanā.

#### TĪKLA PIESLĒGUMS

Pieslēgt tikai vienspola maiņstrāvas tīklam un tikai spriegumam, kas norādīts uz jaudas paneļa. Pieslēgums iespējams arī kontaktligzdām bez aizsargkontaktiem, jo runa ir par uzbūvi, kas atbilst II. aizsargklasei.

#### APKOPE

Vajag vienmēr uzmanīt, lai būtu tīras dzesēšanas atveres. Izmantojiet tikai firmu Milwaukee piederumus un firmas rezerves daļas. Lieciet nomainīt detaļas, kuru nomainā nav aprakstīta, kādā no firmu Milwaukee klientu apkalpošanas servisiem. (Skat. brošūru "Garantija/klientu apkalpošanas serviss".)

Ja nepieciešams, klientu apkalpošanas servīšā vai tieši pie firmas Milwaukee Electric Tool, Max-Eyth-Straße 10, D-71364 Winnenden, Germany, var pieprasīt instrumenta eksplozijas zīmējumu, šim nolūkam jāuzrāda mašīnas tips un desmitvietīgais numurs, kas norādīts uz jaudas paneļa.

#### SIMBOLI



Pirms sākt lietot instrumentu, lūdzu, izlasiet lietošanas pamācību.



Pirms veicat jebkādas darbības attiecībā uz mašīnas apkopi, atvienojiet kontaktdakšu no kontaktligzdas.



Strādājot ar mašīnu, vienmēr jānēsā aizsargbrilles.



Neizmetiet elektroiekārtas sadzīves atkritumos! Saskana ar Eiropas Direktīvu 2002/96/EK par lietotajam elektroiekārtam, elektronikas iekārtām un tas iekļaušanu valsts likumdošanas lietotās elektroiekārtas ir jāsavac atsevišķi un jānogada atsevišķi parstrādei videi draudzīga veida.

## TECHNINIAI DUOMENYS Šlifavimo mašina CHS 355 (110-120 V) CHS 355 (220-240 V)

Vardinė imamoji galia .....	1800 W .....	2300 W .....
Sūkių skaičius laisva eiga .....	3800 min <sup>-1</sup> .....	3800 min <sup>-1</sup> .....
Pjaunamojo disko skersmuo .....	355 mm .....	355 mm .....
Pjaunamojo disko grežinio skersmuo .....	25,4 mm .....	25,4 mm .....
Prietaiso svoris įvertintas pagal EPTA 2003/01 tyrimų metodiką .....	17,5 kg .....	17,5 kg .....

### Informacija apie keliamą triukšmą

Vertės matuotos pagal EN 61029.

Įvertintas A įrenginio keliamo triukšmo lygis dažniausiai sudaro:

Garso slėgio lygis (K=3 dB(A)) .....	91 dB (A) .....	94,5 dB (A) .....
Garso galios lygis (K=3 dB(A)) .....	104 dB (A) .....	107,5 dB (A) .....

### Nešioti klausos apsaugines priemones!

### Informacija apie vibraciją

Bendroji svyravimų reikšmė (trijų krypčių vektorių suma), nustatyta remiantis EN 61029:

Vibravimų emisijos reikšmė a <sub>n</sub> .....	3,1 m/s <sup>2</sup> .....	3,1 m/s <sup>2</sup> .....
Paklaida K = .....	1,5 m/s <sup>2</sup> .....	1,5 m/s <sup>2</sup> .....

## DĖMESIO

Instrukcijoje nurodyta svyravimų ribinė vertė yra išmatuota remiantis standartu EN 61029; ji gali būti naudojama keliems elektriniams instrumentams palyginti. Ji taikoma ir laikinai įvertinti svyravimų apkrovą.

Nurodyta svyravimų ribinė vertė yra taikoma pagrindinėse elektrinio instrumento naudojimo srityse. Svyravimų ribinė vertė gali skirtis naudojant elektrinį instrumentą kitose srityse, papildomai naudojant netinkamus elektrinius instrumentus arba juos nepakankamai techniškai prižiūrint. Dėl to viso darbo metu gali žymiai padidėti svyravimų apkrova.

Siekiant tiksliai nustatyti svyravimų apkrovą, būtina atsižvelgti ir į laikotarpį, kai įrenginys yra išjungtas arba įjungtas, tačiau faktiškai nenaudojamas. Dėl to viso darbo metu gali žymiai sumažėti svyravimų apkrova.

Siekiant apsaugoti vartotojus nuo svyravimo įtakos naudojamos papildomos saugos priemonės, pavyzdžiui, elektrinių darbo instrumentų techninė priežiūra, rankų šilumos palaikymas, darbo procesų organizavimas.

**⚠ DĖMESIO! Perskaitykite visas saugumo pastabas ir nurodymus, esančius pridėtoje brošiūroje.** Jei nepaisysite žemiau pateiktų saugos nuorodų ir reikalavimų, gali trenkti elektros smūgis, kilti gaisras ir/arba galite sunkiai susižaloti arba sužaloti kitus asmenis. **Išsaugokite šias saugos nuorodas ir reikalavimus, kad ir ateityje galėtumėte jais pasinaudoti.**

## YPATINGOS SAUGUMO NUORODOS

**Nešioti klausos apsaugines priemones.** Triukšmo poveikyje galima netekti klausos.

Lauke esantys el. lizdai turi būti su gedimo srovės išjungikliais. Tai nurodyta Jūsų elektros įrenginio instaliacijos taisyklėse (FI, RCD, PRCD). Atsižvelkite į tai, naudodami prietaisą.

Prieš atlikdami bet kokius įrenginyje, ištraukite iš lizdo kištuką.

Kištuką į lizdą įstatykite, tik kai įrenginys išjungtas.

Maitinimo kabelis turi nebūti įrenginio poveikio srityje. Kabelį visada nuveskite iš galinės įrenginio pusės.

Dėvėkite apsaugines priemones. Dirbdami su mašina visada užsidėkite apsauginius akinius. Rekomenduotina dėvėti apsaugines priemones: apsaugos nuo dulkių respiratorius, apsaugines pirštines, kietus batus neslidžiais padais, šalną ir klausos apsaugos priemones.

Draudžiama išiminti drožles ar nuopjovas, įrenginiui veikiant.

Nekiškite rankų į veikiančio įrenginio pavojaus zoną.

Būtinai naudokite įrenginio saugos įtaisus.

Pjaunant nenaudoti kitos šlifavimo mašinos kaip nurodyta naudojimo instrukcijoje.

Šlifavimo mašiną transportuoti tik su atitinkama apsauga, turinčia rankenėlę.

Šlifavimo mašiną naudoti tik su tinkamai veikiančiu ir gerai pritvirtintu apsauginiu gaubtu. Apsauginis gaubtas turi automatiškai pasisukti atgal.

Prieš paleidžiant įrenginį, reikia priveržti jungės veržlę.

Nenaudoti pjaunamųjų diskų, jei jie yra pažeisti ar deformuoti.

Pjaunamuosius diskus reikia naudoti ir juos saugoti remiantis jų gamintojo nurodymais.

Naudokite tik savo elektriniam įrankiui skirtus pjaunamuosius diskus ir apsauginį gaubtą. Galąstuvo korpusas, kuris nėra pritaikytas jūsų elektriniam įrankiui, nėra saugus, todėl gali kelti pavojų.

Nenaudokite jokių grandinių ar dantinių pjūklų geležčių. Tokie įdedami įrankiai dažnai sukelia įvairių nepatogumų arba gerokai pablogina elektrinio įrankio valdymą.

Visuomet naudokite apsauginį gaubtą. Apsauginis gaubtas turi būti gerai pritvirtintas prie elektrinio instrumento, kad būtų užtikrintas maksimalus saugumas, tai yra dirbantysis turi matyti kuo mažesnę pjaunamojo disko dalį. Apsauginis gaubtas turi apsaugoti dirbantįjį nuo nuolaužų ir atsitiktinio kontakto su šlifavimo disku.

Pjaunamieji diskai ir jungės turi tiksliai atitikti jūsų elektrinio įrankio galąstuvo sukį.

Pjaunamuosius diskus prieš naudojimą papildomai apžiūrėti. Pjaunamieji diskai turi būti nepriekaištingai įmontuoti ir laisvai sukis. Apie 30 sekundžių leisti sukis be apkrovos. Nenaudoti pažeistų, neapvalių ar vibruojančių pjaunamųjų diskų.

Visada naudokite tik nepažeistas, tinkamo dydžio ir formos suspaudžiamąsias junges, atitinkančias jūsų pasirinktą pjaunamąjį diską. Tinkamos jungės remiasi į pjaunamąjį diską ir tokiu būdu sumažina disko nuolaužų keliamą pavojų.

Pjaunant metalą laksto kibirkštys. Stebėkite, kad nė vienas asmeniui negręstų pavojus. Dėl gaisro pavojaus (kibirkščiavimo sritis) šalia negali būti jokių degių medžiagų. Jokių būdu nesiurbkite dulkių.

Nenaudokite pažeistų pjaunamųjų diskų. Prieš kiekvieną naudojimą patikrinkite, ar pjaunamasis diskas nėra įskilęs arba įtrūkęs, ar šlifavimo diskas nėra įtrūkęs arba stipriai susidėvėjęs.

Išjungus mašiną ji sustoja ne iškart (pjaunamojo disko inertiškus sukimasis). Išjungę mašiną palaukite, kol diskas sustos.

Venkite blokuoti pjaunamąjį diską ir per didelės prispaudimo jėgos.

Jeigu pjaunamasis diskas užstringa arba jūs nutraukiate darbą, išjunkite elektrinį įrankį ir palaukite, kol diskas nustos sukis. Niekada nemeginkite nuimti dar besisukančio disko, priešingu atveju gali atsitikti nelaimė. Išsiaiškinkite tokio sustojimo priežastį ir ją pašalinkite.

Nejunkite elektros instrumento, kol jis yra prispaudęs prie apdorojamos detalės. Leiskite pjaunamajam diskui pasiekti pilną apsisukimų skaičių ir tik paskui atsargiai pradėkite pjauti. Priešingu atveju diskas gali užsikirsti, iššokti ar sukelti kitokių nelaimių.

Apdorojama detalė turi būti gerai pritvirtinta.

Nuolatos išvalykite ventiliacines savo elektrinio įrankio angas. Varklio ventiliatorius į korpusą traukia dulkes, o didelė metalo dulkių sankaupa gali kelti pavojų.

Užtikrinti, kad įrenginys stovėtų stabiliai (pvz., pritvirtinti prie darbatalio)

Jei pjaunami objektai ilgi, juos tinkamai paremkite.

## NAUDOJIMAS PAGAL PASKIRTĮ

Šlifavimo mašina yra skirta pjaustyti metalinius profilius, metalinius vamzdžius ir metalinius strypus. Ši mašina netinka medžiui apdoroti.

Šį prietaisą leidžiama naudoti tik pagal nurodytą paskirtį.

## CE ATITIKTIES PAREIŠKIMAS

Mes atsakingai pareiškiame, kad šis gaminys atitinka tokias normas arba normatyvinius dokumentus: EN 61029, EN 55014-1, EN 55014-2, EN 61000-3-2, EN 61000-3-3, pagal direktyvų 2006/42/EB, 2004/108/EB reikalavimus.



Winnenden, 2010-09-21

Rainer Kumpf  
Manager Product Development

Įgalios parengti techninius dokumentus.

## ELEKTROS TINKLO JUNGTIIS

Jungti tik prie vienfazės kintamos elektros srovės ir tik į specifikacijų lentelėje nurodytos įtampos elektros tinklą. Konstrukcijos saugos klasė II, todėl galima jungti ir į lizdus be apsauginio kontakto.

## TECHNINIS APTARNAVIMAS

Įrenginio vėdinimo angos visada turi būti švarios.

Naudokite tik Milwaukee priedus ir atsargines dalis. Dalis, kurių keitimas neaprašytas, leidžiama keisti tik Milwaukee klientų aptarnavimo skyriams (žr. garantiją/klientų aptarnavimo skyrių adresus brošiūroje).

Jei reikia, nurodant įrenginio tipą bei specifikacijų lentelėje esantį dešimtženklį numerį, iš klientų aptarnavimo skyriaus arba tiesiai iš Milwaukee Electric Tool, Max-Eyth-Strasse 10, D-71364 Winnenden, Germany, galima užsisakyti prietaiso surinkimo brėžinius.

## SIMBOLIAI



Prieš pradėdami dirbti su prietaisu, atidžiai perskaitykite jo naudojimo instrukciją.



Prieš atlikdami bet kokius darbus įrenginyje, ištraukite kištuką iš lizdo.



Dirbdami su įrenginiu visada nešioti apsauginius akinius.



Neišmeskite elektros įrengimu i buitinius šiukšlynus! Pagal ES Direktyva 2002/96/EB dėl naudoto įrengimu, elektros įrengimu ir jų ištraukimo i valstybinius istatymus naudotos įrengimus butina suringti atskirai ir nugabenti antriniu žaliavų perdirbimui aplinkai nekenksmingu budu.



TEHNILISED ANDMED	Ketaslõikurit	CHS 355 (110-120 V)	CHS 355 (220-240 V)
Nimitarbitmine.....	1800 W	2300 W	
Pöörlemiskiirus tühijooksul .....	3800 min <sup>-1</sup>	3800 min <sup>-1</sup>	
Lõikeketta ø .....	355 mm	355 mm	
Lõikeketta ava ø .....	25,4 mm	25,4 mm	
Kaal vastavalt EPTA-protseduurile 01/2003 .....	17,5 kg	17,5 kg	

**Müra andmed**  
Mõõteväärtused on kindlaks tehtud vastavalt normile EN 61029.

Seadme tüüpiline hinnanguline (A) müratase:  
Helirõhutase (K = 3 dB(A)) ..... 91 dB (A) ..... 94,5 dB (A)  
Helivõimsuse tase (K = 3 dB(A)) ..... 104 dB (A) ..... 107,5 dB (A)

#### Kandke kaitseks kõrvaklappe!

**Vibratsiooni andmed**  
Vibratsiooni koguväärtus (kolme suuna vektorsumma) mõõdetud EN 61029 järgi:  
Vibratsiooni emissiooni väärtus a<sub>n</sub> ..... 3,1 m/s<sup>2</sup> ..... 3,1 m/s<sup>2</sup>  
Määramatus K = ..... 1,5 m/s<sup>2</sup> ..... 1,5 m/s<sup>2</sup>

#### TÄHELEPANU

Antud juhendis toodud võnketase on mõõdetud EN 61029 standardile vastava mõõtesüsteemiga ning seda võib kasutada erinevate elektriseadmete omavahelises võrdlemises. Antud näitaja sobib ka esmaseks võnkekoormuse hindamiseks.

Antud võnketase kehtib elektriseadme kasutamisel sihtotstarbeliselt. Kui elektriseadet kasutatakse muudel otstarvetel, muude tööriistadega või seda ei hooldata piisavalt võib võnketase siintoodust erineda. Eeltoodu võib võnketaset märkimisväärselt tõsta terves töökeskkonnas.

Võnketaseme täpselt hindamiseks tuleks arvestada ka aega, mil seade on välja lülitatud või on küll sisse lülitatud, kuid ei ole otseselt kasutuses. See võib märgatavalt vähendada kogu töökeskkonna võnketaset.

Rakendage spetsiaalseid ettevaatusabinõusid töötajate suhtes, kes puutuvad töö käigus palju kokku vibratsiooniga. Nendeks abinõudeks võivad olla, näiteks: elektri- ja tööseadmete korraline hooldus, käte soojendamise, töövoo parem organiseerimine.

**⚠ TÄHELEPANU! Lugege kõik ohutusnõuanded ja juhendid läbi, ka juures olevast brošüürist.** Ohutusnõuete ja juhiste eiramise tagajärjeks võib olla elektrilööki, tulekahju ja/või rasked vigastused.  
**Hoidke kõik ohutusnõuded ja juhised edasiseks kasutamiseks hoolikalt alles.**

#### SPETSIAALSED TURVAJUHISED

**Kandke kaitseks kõrvaklappe.** Müra mõju võib kutsuda esile kuulmise kaotuse.

Välitingimustes asuvad pistikupesad peavad olema varustatud rikkevoolukaitseülilülititega (FI, RCD, PRCD). Seda nõutakse Teie elektriseadme installaerimiseeskirjas. Palun pidage sellest meie seadme kasutamisel kinni.

Enne kõiki töid masina kallal tõmmake pistik pistikupesast välja.

Masin peab pistikupessa ühendamisega olema alati väljalülitatud seisundis.

Hoidke ühendusjuhe alati masina tööpiirkonnast eemal. Vedage juhe alati masinast tahapoole.

Kasutada kaitsevarustust. Masinaga töötamisel kanda alati kaitseprille. Kaitseriietusena soovistatakse kasutada tolmumaski kaitsekindaid, kinniseid ja libisemisvastase tallaga jalanõusid, kiivrit ja kuulmisteede kaitset.

Puru ega pilpaid ei tohi eemaldada masina töötamise ajal. Ärge pange kätt töötava masina ohupiirkonda.

Kasutage tingimata masina kaitseeadist.

Ärge kasutage ketaslõikurit selliste materjalide lõikamiseks, mida ei ole kasutusjuhendis nimetatud.

Ketaslõikuri transportimisel peab käepidemel asuv transportimiskaitse olema fikseeritud.

Ketaslõikurit tohib kasutada ainult koos kindlalt toimiva ja hästi hooldatud kaitsekatttega. Kaitsekate peab iseenesest tagasi pöörduma.

Ääriku mutter peab enne masina käiklaskmist olema pingutatud.

Ärge kasutage kahjustatud või deformeerunud lõikeketaid. Järgige lõikeketaste kasutamisel ja hooldamisel alati tootja juhiseid.

Kasutage ainult teie elektritööriista jaoks lubatud lõikeketaid ja sobivat kaitsekate. Elektritööriista sobimatuid lõikevahendeid ei kata kaitsekate piisavalt kinni ja nendega töötamine on ohtlik.

Ärge kasutage kett- või hammasketast. Sellised lõikevahendid põhjustavad sageli tagasilööki või kontrolli kaotamist elektritööriista üle.

Kasutage alati kaitsekate. Kaitsekate peab olema kindlalt tööriistale paigaldatud ja reguleeritud nii, et on tagatud täielik ohutus, s.t et kasutaja poole on suunatud võimalikult väike osa lõikekettast. Kaitsekate peab kaitsma kasutajat eemalepaiskuvate kildude juhuliku kokkupuute eest lõikekettaga.

Lõikekettad ja äärrikud peavad täpselt sobima teie elektritööriista lõikespindile.

Kontrollige lõikeketaid enne kasutamist. Lõikeketas peab olema nõuetekohaselt paigaldatud ja vabalt pöörlema. Laske vähemalt 30 sekundit ilma koormuseta töötada. Ärge kasutage kahjustatud, deformeerunud või vibreerivaid lõikeketaid.

Kasutage Teie poolt valitud lõikekettal alati laimatus korras ning õige suuruse ja kujuga pingutusäärikut. Sobivad äärrikud toetavad lõikeketast ja vähendavad nii lõikeketta purunemise ohtu.

Metalli lõikamisel tekivad sädemed. Jälgige, et see ei ohustaks inimesi. Tuleohtu tõttu ei tohi läheduses (sädemete langemise piirkonnas) olla kergestisüttivaid materjale.

Ärge kasutage kahjustatud lõikeketaid. Kontrollige enne iga kasutuskorda, et lõikekettal ei oleks kahjustusi ega mörasid ning et lihvketal poleks mörasid ega tugeva kulumise märke.

Pärast väljalülitamist seiskub masin koheselt (lõikeketta järeljooks). Laske pärast masina väljalülitamist lõikekettal peatuda.

Vältige lõikeketta blokeerimist või liiga tugevat survet pinnale.

Kui lõikeketas on kinni kiilunud või kui katkestate töö, lülitage elektritööriist välja ja oodake, kuni ketas peatub. Ärge püüdke kunagi veel pöörlevat ketast seadmest välja tõmmata; see võib põhjustada tagasilööki. Selgitage välja kinnikiilumise põhjus ja kõrvaldage see.

Ärge lülitage elektritööriista uuesti sisse, kuni see on veel töödeldava detaili sees. Laske lõikekettal esmalt täisvõimsusel pöörlema hakata ja jätkake siis ettevaatlikult lõikamist. Vastasel juhul võib ketas kinni jääda, töödeldavast detailist välja hüpata või põhjustada tagasilööki.

Töödeldav detail peab olema tugevalt kinnitatud

Puhastage regulaarselt elektritööriista õhutuspiilusid. Mootori ventilaator tõmbab korpusesse tolmu, ja metallitolmu kogunemine võib põhjustada elektrilist ohtu.

Kontrollida tuleb, et seade oleks alati stabiilses asendis (nt tööpingile kinnitatud).

Pikad materjalid tuleb sobival viisil toetada.

#### KASUTAMINE VASTAVALT OTSTARBELE

Ketaslõikur on mõeldud metalldetailide, metalltorude ja metallvaraste lõikamiseks. Masin ei sobi puu töötlemiseks. Antud seadet tohib kasutada ainult vastavalt äranäidatud otstarbele.

#### EÜ VASTAVUSAVALDUS

Me deklareerime ainuvastutajatena, et antud toode on kooskõlas järgmiste normide või normdokumentidega: EN 61029, EN 55014-1, EN 55014-2, EN 61000-3-2, EN 61000-3-3, vastavalt direktiivide 2006/42/EÜ, 2004/108/EÜ sätetele.



Winnenden, 2010-09-21

Rainer Kumpf  
Manager Product Development

On volitatud koostama tehnilist dokumentatsiooni.

#### VÕRKU ÜHENDAMINE

Ühendage ainult ühefaasilise vahelduvvooluga ning ainult andmesildil toodud võrgupingega. Ühendada on võimalik ka kaitsekontaktita pistikupesadesse, kuna nende konstruktsioon vastab kaitseklassile II.

#### HOOLDUS

Hoidke masina õhutuspilud alati puhtad.

Kasutage ainult Milwaukee tarvikuid ja tagavaraosi. Detailid, mille väljavahetamist pole kirjeldatud, laske välja vahetada Milwaukee klienditeeninduspunktis (vaadake brošüüri garantii / klienditeeninduste aadressid).

Vajaduse korral võite tellida seadme läbilõikejoonise, näidates ära masina tüübi ja andmesildil oleva kümnekohalise numbr. Selleks pöörduge klienditeeninduspunkti või otse: Milwaukee Electric Tool, Max Eyth Straße 10, D 71364 Winnenden, Germany.

#### SÜMBOLID



Palun lugege enne käiklaskmist kasutamishend hoolikalt läbi.



Enne kõiki töid masina kallal tõmmake pistik pistikupesast välja.



Masinaga töötades kandke alati kaitseprille.



Ärge käideldage kasutuskõlbmatuks muutunud elektrilisi tööriistu koos olmejäätmetega! Vastavalt Euroopa Parlamendi ja nõukogu direktiivile 2002/96/ EÜ elektri- ja elektroonikaseadmete jäätmete kohta ning direktiivi nõuete kohaldamisele liikmesriikides tuleb asutuskõlbmatuks muutunud elektrilised tööriistad koguda eraldi ja keskkonnasäästlikult korduskasutada või ringlusse võtta.



ТЕХНИЧЕСКИЕ ДАННЫЕ	Абразивно-отрезное	CHS 355 (110-120 V)	CHS 355 (220-240 V)
Номинальная выходная мощность	1800 W	2300 W	
Число оборотов без нагрузки (об/мин)	3800 min <sup>-1</sup>	3800 min <sup>-1</sup>	
Диаметр отрезного диска	355 mm	355 mm	
Диаметр отверстия отрезного диска	25,4 mm	25,4 mm	
Вес согласно процедуре EPTA 01/2003	17,5 kg	17,5 kg	

#### Информация по шумам

Значения замерялись в соответствии со стандартом EN 61029.

Уровень шума прибора, определенный по показателю A, обычно составляет:

Уровень звукового давления (K=3dB(A))	91 dB (A)	94,5 dB (A)
Уровень звуковой мощности (K=3dB(A))	104 dB (A)	107,5 dB (A)

**Пользуйтесь приспособлениями для защиты слуха.**

#### Информация по вибрации

Общие значения вибрации (векторная сумма трех направлений) определены в соответствии с EN 61029:

Значение вибрационной эмиссии a <sub>h</sub>	3,1 m/s <sup>2</sup>	3,1 m/s <sup>2</sup>
Небезопасность K =	1,5 m/s <sup>2</sup>	1,5 m/s <sup>2</sup>

#### ВНИМАНИЕ

Указанный в настоящем руководстве уровень вибрации измерен в соответствии с технологией измерения, установленной стандартом EN 61029 и может использоваться для сравнения электроинструментов друг с другом. Он также подходит для предварительной оценки вибрационной нагрузки.

Указанный уровень вибрации представляет основные виды использования электроинструмента. Но если электроинструмент используется для других целей, используемый инструмент отключается от указанного или технического обслуживания было недостаточным, то уровень вибрации может отклоняться от указанного. В этом случае вибрационная нагрузка в течение всего периода работы значительно увеличивается.

Для точной оценки вибрационной нагрузки необходимо также учитывать время, в течение которого прибор отключен или включен, но фактически не используется. В этом случае вибрационная нагрузка в течение всего периода работы может существенно уменьшиться.

Установите дополнительные меры безопасности для защиты пользователя от воздействия вибрации, например: техническое обслуживание электроинструмента и используемого инструмента, поддержание рук в теплом состоянии, организация рабочих процессов.

**ВНИМАНИЕ! Ознакомьтесь со всеми указаниями по безопасности и инструкциями, в том числе с инструкциями, содержащимися в прилагающейся брошюре.** Упущения, допущенные при соблюдении указаний и инструкций по технике безопасности, могут стать причиной электрического поражения, пожара и тяжелых травм.  
**Сохраняйте эти инструкции и указания для будущего использования.**

#### РЕКОМЕНДАЦИИ ПО ТЕХНИКЕ БЕЗОПАСНОСТИ

**Используйте наушники!** Воздействие шума может привести к потере слуха.

Электроприборы, используемые во многих различных местах, в том числе на открытом воздухе, должны подключаться через устройство, предотвращающее резкое повышение напряжения (FI, RCD, PRCD).

Перед выполнением каких-либо работ по обслуживанию инструмента всегда вынимайте вилку из розетки.

Вставляйте вилку в розетку только при выключенном инструменте.

Держите силовой провод вне рабочей зоны инструмента. Всегда прокладывайте кабель за спиной.

Пользоваться средствами защиты. Работать с инструментом всегда в защитных очках. Рекомендуется: спецодежда, пылезастыжная маска, защитные перчатки, прочная и нескользящая обувь, каска и наушники. Не убирайте опилки и обломки при включенном инструменте.

Никогда не касайтесь опасной режущей зоны в момент работы.

Всегда пользуйтесь защитной крышкой на инструменте.

Абразивно-отрезное устройство применяйте только для резания материалов, указанных в инструкции по эксплуатации.

Абразивно-отрезное устройство транспортируйте за ручку, только при фиксированном предохранителе при транспортировке.

Используйте только абразивно-отрезное устройство с надежным в работе защитным кожухом, с отличным техническим обслуживанием. Защитный кожух должен откидываться назад автоматически.

Перед включением инструмента затяните зажимную гайку.

Не применяйте дефектные или деформированные отрезные круги.

Отрезные круги применяйте и храните согласно указаниям изготовителя.

Применяйте исключительно отрезные круги, допущенные для Вашего электроустройства, и предусмотренные защитные кожухи. Шлифовальные круги, не предусмотренные для электроустройства, могут быть недостаточно экранированы и вследствие этого не безопасны.

Не применяйте пыльное полотно для цепных пил или зубчатое пыльное полотно. Подобные инструменты-заменители могут вызвать обратный удар или потерю контроля над электроустройством.

Применяйте всегда защитный кожух. Защитный кожух должен устанавливаться надежно на электроустройстве и должен быть отрегулирован так, чтобы была достигнута максимальная степень безопасности, т.е. чтобы для обслуживания оставалась открытой лишь, по возможности, минимальная часть отрезного круга. Защитный кожух должен защищать обслуживающее лицо от обломков и случайного контакта со шлифовальным кругом.

Отрезные круги и фланцы должны быть точно согласованы со шлифовальным шпинделем Вашего электроустройства.

Отрезные круги перед использованием контролируйте. Отрезной круг должен быть безупречно монтирован и должен свободно вращаться. Произведите пробный пуск

в течение минимум 30 секунд. Не применяйте дефектные, некруглые или вибрирующие отрезные круги.

Применяйте всегда не поврежденные зажимные фланцы правильных размеров и формы, соответствующих выбранному Вами отрезному кругу. Пригодные фланцы поддерживают отрезной круг и снижают опасность поломки отрезного круга.

При разрезании металлов возникает искрение. Следите за тем, чтобы не подвергались опасности какие-либо лица. Ввиду опасности возникновения пожара вблизи (зона искрения) не должны находиться горючие материалы. Не работайте пылесосом.

Не применяйте дефектные отрезные круги. Перед каждым использованием отрезные круги контролируйте на расщепление и трещины, а тарельчатые шлифовальные круги - на трещины, износ или сильное истирание.

После выключения устройством не останавливается немедленно (вращение отрезного круга по инерции). Подождите, пока отрезной круг не остановится полностью.

Избегайте блокировку отрезного диска или слишком сильное усилие сжатия.

В случае если отрезной круг заклинился или Вы прерываете работу, выключите электроустройство и подождите, пока отрезной круг не остановится. Никогда не пытайтесь вытянуть изделие при вращающемся отрезном диске, - иначе может произойти отдача.

Установите и устраните причину заклинивания.

Не включайте снова электроинструмент до тех пор, пока он находится в изделии. Отрезной круг оставьте разогнаться до полного числа оборотов, прежде чем продолжить резание. В противном случае круг может зацепиться, выскочить из изделия или вызвать отдачу. Подлежащее обработке изделие должно прочно зажиматься.

Очищайте регулярно воздушные щлицы Вашего электроустройства. Вентилятор электродвигателя втягивает пыль в корпус и сильное скопление металлической пыли может привести к поражению электрическим током.

Удостоверьтесь в том, что машина всегда имеет надежное положение (например, закреплена на верстаке).

Длинные заготовки соответственно подоприте.

#### ИСПОЛЬЗОВАНИЕ

Абразивно-отрезное устройство годится для поперечной распиловки металлических профилей, металлических труб и металлических стержней. Устройство не годится для обработки дерева.

Не пользуйтесь данным инструментом способом, отличным от указанного для нормального применения.

#### ДЕКЛАРАЦИЯ О СООТВЕТСТВИИ СТАНДАРТАМ ЕС

Мы заявляем что этот продукт соответствует следующим стандартам: EN 61029, EN 55014-1, EN 55014-2, EN 61000-3-2, EN 61000-3-3, в соответствии с правилами 2006/42/EC, 2004/108/EC.



Winnenden, 2010-09-21

Rainer Kumpf  
Manager Product Development

Уполномочен на составление технической документации.

#### ПОДКЛЮЧЕНИЕ К ЭЛЕКТРОСЕТИ

Подсоединять только к однофазной сети переменного тока с напряжением, соответствующим указанному на инструменте. Электроинструмент имеет второй класс защиты, что позволяет подключать его к розеткам электропитания без заземляющего вывода.

#### ОБСЛУЖИВАНИЕ

Всегда держите охлаждающие отверстия чистыми. Пользуйтесь аксессуарами и запасными частями только фирмы Milwaukee. В случае возникновения необходимости в замене, которая не была описана, пожалуйста, обращайтесь на один из сервисных центров (см. список наших гарантийных/сервисных организаций).

При необходимости может быть заказан чертеж инструмента с трехмерным изображением деталей. Пожалуйста, укажите десятизначный номер и тип инструмента и закажите чертеж у Ваших местных агентов или непосредственно у Milwaukee Electric Tool, Max-Eyth-Straße 10, D-71364 Winnenden, Germany.

#### СИМВОЛЫ



Пожалуйста, внимательно прочтите инструкцию по использованию перед началом любых операций с инструментом.



Перед выполнением каких-либо работ по обслуживанию инструмента всегда вынимайте вилку из розетки.



При работе с инструментом всегда надевайте защитные очки.



Не выбрасывайте электроинструмент с бытовыми отходами! Согласно Европейской директиве 2002/96/EC по отходам от электрического и электронного оборудования и соответствующим нормам национального права вышедшие из употребления электроинструменты подлежат сбору отдельно для экологически безопасной утилизации.

ТЕХНИЧЕСКИ ДАННИ	Резачка	CHS 355 (110-120 V)	CHS 355 (220-240 V)
Номинална консумирана мощност.....		1800 W	2300 W
Обороти на празен ход.....		3800 min <sup>-1</sup>	3800 min <sup>-1</sup>
диаметър на режещите дискове.....		355 mm	355 mm
диаметър на отвора на режещия диск.....		25.4 mm	25.4 mm
Тегло съгласно процедурата EPTA 01/2003.....		17,5 kg	17,5 kg

#### Информация за шума

Измерените стойности са получени съобразно EN 61029.

Оцененото с A ниво на шума на уреда е съответно:

Ниво на звукова мощност (K = 3dB(A)).....	91 dB (A)	94,5 dB (A)
Ниво на звукова мощност (K = 3dB(A)).....	104 dB (A)	107,5 dB (A)

#### Да се носи предпазно средство за слуха!

#### Информация за вибрациите

Общите стойности на вибрациите (векторна сума на три посоки) са определени в съответствие с EN 61029:

Стойност на емисии на вибрациите a <sub>h</sub> .....	3,1 m/s <sup>2</sup>	3,1 m/s <sup>2</sup>
Несигурност K = .....	1,5 m/s <sup>2</sup>	1,5 m/s <sup>2</sup>

#### ВНИМАНИЕ

Посоченото в тези инструкции ниво на вибрациите е измерено в съответствие със стандартизиран в EN 61029 измервателен метод и може да се използва за сравнение на електрически инструменти помежду им. Подходящ е и за временна оценка на вибрационното натоварване.

Посоченото ниво на вибрациите представя основните приложения на електрическия инструмент. Ако обаче електрическият инструмент се използва с друго предназначение, с различни сменяеми инструменти или при недостатъчна техническа поддръжка, нивото на вибрациите може да е различно. Това чувствително може да увеличи вибрационното натоварване по време на целия работен цикъл.

За точната оценка на вибрационното натоварване трябва да се вземат предвид и периодите от време, в които уредът е изключен или работи, но в действителност не се използва. Това чувствително може да намали вибрационното натоварване по време на целия работен цикъл.

Определете допълнителни мерки по техника на безопасност в защита на обслужвания работник от въздействието на вибрациите като например: техническа поддръжка на електрическия инструмент и сменяемите инструменти, поддръжане на ръцете топли, организация на работния цикъл.

**⚠ ВНИМАНИЕ! Прочетете указанията за безопасност и съветите в приложената брошура.** Неспазването на приведените по-долу указания може да доведе до токов удар, пожар и/или тежки травми.

**Съхранявайте тези указания на сигурно място.**

#### СПЕЦИАЛНИ УКАЗАНИЯ ЗА БЕЗОПАСНОСТ

**Носете средство за защита на слуха.** Въздействието на шума може да предизвика загуба на слуха.

Контактите във външните участъци трябва да бъдат оборудвани със защитни прекъсвачи за утечен ток (FI, RCD, PRCD). Това изисква предписанието за инсталиране за електрическата инсталация. Моля спазвайте това при използване на Вашия уред.

Преди каквито и да е работи по машината извадете щепсела от контакта.

Свързвайте машината към контакта само в изключено положение.

Свързващият кабел винаги да се държи извън работния обхват на машината. Кабелът да се отвежда от машината винаги назад.

Да се използват предпазни средства. При работа с машината винаги носете предпазни очила. Препоръчват се защитно облекло и прахозащитна маска, защитни ръкавици, здрави и нехлъзгащи се обувки, каска и предпазни средства за слуха.

Стружки или отчупени парчета да не се отстраняват, докато машина работи.

Не бъркайте в зоната на опасност на работещата машина.

Предпазните устройства на машината да се използват задължително.

Никога не използвайте ъглошлайфа за рязане на други материали, освен посочените в ръководството за употреба.

Транспортирайте ъглошлайфа само с фиксиран обезопасител за транспортиране на ръкохватката.

Използвайте ъглошлайфа само със сигурно функциониращ и добре поддържан предпазен капак. Предпазният капак трябва да се отваря самостоятелно.

Преди пускане на машината фланцовата гайка трябва да бъде затегната.

Не използвайте дефектни или деформирани режещи дискове.

Винаги използвайте и съхранявайте режещите дискове според указанията на производителя.

Използвайте единствено одобрените за Вашия ъглошлайф режещи дискове и предпазен капак. Шлифовъчни дискове, които не са предвидени за съответния електроуред, не могат да бъдат достатъчно добре екранирани и са опасни.

Не използвайте верижни или зъбни циркуляри. Такива уреди често предизвикват обратен удар или загуба на контрол над електроуредата.

Винаги използвайте предпазния капак. Той трябва да е сигурно поставен върху електроуредата и да е настроен така, че да гарантира висока степен на безопасност, тоест да оставя видими минимални части от режещия диск към обслужващото лице. Предпазният капак има за цел да предпази обслужващото лице от хвърчащи парчета и случаен контакт с шлифовъчния диск.

Режещите дискове и фланецът трябва да бъдат поставени точно върху шлифовъчното вретено на Вашия електроуред.

Проверявайте режещите дискове преди употреба. Режещият диск трябва да е монтиран безупречно и да може да се върти свободно. Извършвайте проа за около 30 секунди без натоварване. Не използвайте повредени, деформирани или вибриращи шлифовъчни дискове.

Винаги използвайте неповредени стягащи фланци с подходящ размер и форма, съответстващи на избора от Вас режещ диск. Подходящите фланци дават опора на диска и намаляват опасността от неговото счупване.

При рязане на метали се получава искрене. Внимавайте това да не представлява опасност за намиращи се

наколко лица. Поради опасността от пожар наколко не трябва да има и запалими материали (в обсега на искренето). Не използвайте прахосмукачки.

Не използвайте дефектни режещи дискове. Преди всяка употреба контролирайте режещия диск за наличие на трески, шлифовъчния диск за скъсвания или силно износване.

След изключване машината не спира да се движи веднага (остатъчно въртене на диска). Изчакайте диска да достигне състояние на покой след изключване.

Предотвратявайте блокиране на режещия диск или прекалено високо налягане.

Ако режещият диск е заседнал или искате да преустановите работа, изключете електроуредата и изчакайте докато дискът спре да се движи напълно. Никога не опитвайте да издърпате от детайла още движещия се диск, иначе може да се получи обратен удар. Установете и отстранете причината за заклещаването.

Никога не включвайте електроуредата отново, докато той се намира в детайла. Нека първо дискът достигне максималните си обороти, преди внимателно да продължите рязането. В противен случай режещият диск може да заседне, да изскочи от детайла или да предизвика обратен удар.

Обработваният материал трябва да бъде фиксиран.

Почиствайте редовно вентилационните отвори на вашия електрически уред. Вентилаторът на двигателя засмуква прах в корпуса, а събирането на метален прах може да доведе до електрически повреди.

Уверете се, че машината винаги е стабилно разположена (например е закрепена за тезгях).

Дългите детайли да се подпират по подходящ начин.

#### ИЗПОЛЗВАНЕ ПО ПРЕДНАЗНАЧЕНИЕ

Ъглошлайфът е подходящ за рязане на метални профили и метални тръби. Машината не е подходяща за рязане на дървен материал.

Този уред може да се използва по предназначение само както е посочено.

#### СЕ - ДЕКЛАРАЦИЯ ЗА СЪОТВЕТСТВИЕ

Декларираме на собствена отговорност, че този продукт съответства на следните стандарти или нормативни документи: EN 61029, EN 55014-1, EN 55014-2, EN 61000-3-2, EN 61000-3-3, съобразно предписанията на директивите 2006/42/EO, 2004/108/EO.



Winnenden, 2010-09-21

Rainer Kumpf  
Manager Product Development

Упълномощен за съставяне на техническата документация

#### ЗАЩИТА НА ДВИГАТЕЛЯ В ЗАВИСИМОСТ ОТ НАТОВАРВАНЕТО

Да се свързва само към еднофазен променлив ток и само към мрежово напрежение, посочено върху заводската табелка. Възможно е и свързване към контакт, който не е от тип "шуко", понеже конструкцията е от защитен клас II.

#### ПОДДРЪЖКА

Вентилационните шлицы на машината да се поддържат винаги чисти.

Да се използват само аксесоари на Milwaukee и резервни части на. Елементи, чията подмяна не е

описана, да се дадат за подмяна в сервиз на Milwaukee (вижте брошурата "Гаранция и адреси на сервизи).

При необходимост можете да поискате за уреда от Вашия сервиз или директно от Milwaukee Electric Tool, Max-Eyth-Straße 10, D-71364 Winnenden, Germany, чертеж за в случай на експлозия, като посочите типа на машината и десетцифрения номер върху заводската табелка.

#### СИМВОЛИ



Преди пускане на уреда в действие моля прочетете внимателно инструкцията за използване.



Преди всякакви работи по машината извадете щепсела от контакта.



При работа с машината винаги носете предпазни очила.



Не изхвърляйте електроинструменти при битовите отпадъци! Съобразно Европейска директива 2002/96/EO за стари електрически и електронни уреди и нейното реализиране в националното законодателство изхабените електроинструменти трябва да се събират отделно и да се предават в пункт за екологосъобразно рециклиране.



Соответствие техническому регламенту

DATE TEHNICE	Mașina de debitat	CHS 355 (110-120 V)	CHS 355 (220-240 V)
Putere nominală de ieșire.....	1800 W	2300 W	
Viteza la mers în gol.....	3800 min <sup>-1</sup>	3800 min <sup>-1</sup>	
Ø disc tăietor.....	355 mm	355 mm	
Ø găurii discului tăietor.....	25,4 mm	25,4 mm	
Greutatea conform „EPTA procedure 01/2003”.....	17,5 kg	17,5 kg	

#### Informație privind zgomotul

Valori măsurate determinate conform EN 61029.

Nivelul de zgomot evaluat cu A al aparatului este tipic de:

Nivelul presiunii sonore (K=3 dB(A)).....	91 dB (A)	94,5 dB (A)
Nivelul sunetului (K=3 dB(A)).....	104 dB (A)	107,5 dB (A)

#### Purtați căști de protecție

#### Informații privind vibrațiile

Valorile totale de oscilație (suma vectorială pe trei direcții) determinate conform normei EN 61029:

Valoarea emisiei de oscilații a <sub>n</sub> .....	3,1 m/s <sup>2</sup>	3,1 m/s <sup>2</sup>
Nesiguranță K = .....	1,5 m/s <sup>2</sup>	1,5 m/s <sup>2</sup>

#### AVERTISMENT

Gradul de oscilație indicat în prezentele instrucțiuni a fost măsurat în conformitate cu o procedură de măsurare normată prin norma EN 61029 și poate fi folosit pentru a compara uneltele electrice între ele. El se pretează și pentru o evaluare provizorie a solicitării la oscilații.

Gradul de oscilație indicat reprezintă aplicațiile principale ale uneltelor electrice. În cazul în care însă uneltele electrice au fost folosite pentru alte aplicații, ori au fost folosite uneltele de muncă diferite ori acestea nu au fost supuse unei suficiente inspecții de întreținere, gradul de oscilație poate fi diferit. Acest fapt poate duce la o creștere netă a solicitărilor la oscilații dealungul întregii perioade de lucru.

În scopul unei evaluări exacte a solicitării la oscilații, urmează să fie luate în considerare și perioadele de timp în care aparatul a fost oprit ori funcționează dar, în realitate, el nu este folosit în mod practic. Acest fapt poate duce la o reducere netă a solicitărilor la oscilații dealungul întregii perioade de lucru.

Stabiliți măsuri de siguranță suplimentare în scopul protecției utilizatorului de efectele oscilațiilor, de exemplu: inspecție de întreținere a uneltelor electrice și a celor de muncă, păstrarea caldă a mâinilor, organizarea proceselor de muncă.

#### ⚠️ AVERTISMENT! Citiți toate avizele de siguranță și indicațiile, chiar și cele din borșura alăturată.

Nerespectarea indicațiilor de avertizare și a instrucțiunilor poate provoca electrocutare, incendii și/sau răni grave. **Păstrați toate indicațiile de avertizare și instrucțiunile în vederea utilizării viitoare.**

#### INSTRUCIUNI DE SECURITATE

**Purtați aparatoare de urechi.** Expunerea la zgomot poate produce pierderea auzului.

Aparatele utilizate în multe locații diferite inclusiv în aer liber trebuie conectate printr-un disjunctor (FI, RCD, PRCD) care previne comutarea.

Întotdeauna scoateți stecarul din priză înainte de a efectua intervenții la mașină.

Conectați la rețea numai când mașina este oprită.

Pastrați cablul de alimentare la o distanță de aria de lucru a mașinii. Întotdeauna țineți cablul în spatele dvs.

Folosiți echipament de protecție. Purtați întotdeauna ochelari de protecție când lucrați cu mașina. Se recomandă utilizarea hainelor de protecție ca de ex. Măști contra prafului, mănuși de protecție, încălțăminte stabilă nealunecoasă, cască și apărătoare de urechi.

Rumegușul și spanul nu trebuie îndepărtate în timpul funcționării mașinii.

Nu intrați niciodată în zona de pericol a plăcii când este în mișcare.

Întotdeauna utilizați ecranele de protecție ale mașinii.

Mașina de debitat și șlefuit nu se va utiliza niciodată pentru tăierea altor materiale decât a celor specificate în instrucțiunile de utilizare.

Mașina de debitat și șlefuit se transportă doar de mâner cu siguranța de transport asigurată.

Mașina de debitat și șlefuit se folosește doar cu capacul de protecție în stare sigură de funcționare și dacă acesta este bine întreținut. Capacul de protecție trebuie să se rabateze automat înapoi.

Piulița de reglare trebuie să fie stransă înainte de începerea lucrului cu această mașină.

Nu se vor folosi discuri tăietoare deteriorate sau deformate.

Discurile tăietoare se vor folosi și se vor păstra permanent în conformitate cu indicațiile producătorului.

Folosiți doar discuri tăietoare care sunt permise pentru mașina dvs. electrică și doar capacul de protecție prevăzut pentru aceasta. Sculele de șlefuire care nu sunt prevăzute pentru mașina electrică nu pot fi ecranate suficient și sunt nesigure.

Nu folosiți pânze de ferăstrău cu lanț sau dințate. Asemenea scule pot produce frecvent un recul sau pot duce la pierderea controlului asupra mașinii electrice.

Folosiți întotdeauna capacul de protecție. Capacul de protecție trebuie să fie bine fixat de mașină și astfel reglat încât să fie asigurată siguranța maximă, adică, înspre persoana care deservește mașina să fie deschisă cea mai mică porțiune posibilă a discului tăietor. Capacul de protecție trebuie să protejeze persoana care deservește de fragmente și de un contact accidental cu scula de șlefuire.

Discurile tăietoare și flanșa trebuie să se potrivească exact pe axul mașinii electrice.

Discurile tăietoare se verifică înainte de utilizare. Discul trebuie să fie montat bine și să se poată roti liber. Se efectuează o funcționare de probă fără sarcină de minim 30 secunde. Nu se vor folosi discurile de tăiere deteriorate, care nu sunt rotunde sau care vibrează.

Folosiți întotdeauna flanșe de fixare care nu sunt deteriorate și care corespund ca mărime și formă cu discul tăietor ales de dvs. Flanșele adecvate sprijină discul tăietor și reduc astfel pericolul de spargere a discului.

La tăierea metalelor sar scântei. Aveți grijă ca nicio persoană să nu fie pusă în pericol. Datorită pericolului de incendiu nu este permis să se afle materiale inflamabile în apropiere (în zona scânteiilor). Nu se va folosi un aspirator de praf.

Nu folosiți discuri tăietoare defecte. Verificați înaintea fiecărei utilizări discul tăietor să nu prezinte decojiri sau fisuri, și discul de șlefuit să nu aibă fisuri și să nu fie uzat. După deconectarea mașinii nu se oprește imediat (discul tăietor se rotește din inerție). Se așteaptă după deconectare până ce se oprește discul tăietor.

Evitați blocarea discului tăietor sau o presiune prea mare de apăsare.

În cazul în care se înțepenește discul tăietor sau dacă întrerupeți lucrul, deconectați mașina electrică și așteptați până ce se oprește discul. Nu încercați niciodată să scoateți discul tăietor din piesă în timp ce acesta încă se mai rotește deoarece ar putea provoca un recul. Determinați cauza înțepenirii și remediați-o.

Nu reporniți mașina electrică atât timp cât se află în piesă. Lăsați discul tăietor să ajungă la turația sa maximă și apoi continuați cu grijă debitarea. În caz contrar, discul se poate agăța, poate sări din piesă sau poate provoca un recul.

Piesa ce urmează a fi prelucrată trebuie să fie bine fixată.

Curățați în mod regulat fantele de ventilație ale mașinii electrice. Sufianta motorului trage praf în carcasă, iar o acumulare accentuată de praf metalic poate cauza pericole electrice.

Aveți în vedere ca mașina să aibe mereu o poziție sigură (de ex. fixați-o la bancul de montaj).

Piese lungi se vor sprijini în mod corespunzător.

#### CONDIȚII DE UTILIZARE SPECIFICATE

Mașina de debitat și șlefuit este indicată pentru tăierea profilelor metalice, a țevelor metalice și a barelor din metal. Mașina nu este indicată pentru prelucrarea lemnului.

Nu utilizați acest produs în alt mod decât cel stabilit pentru utilizare normală

#### DECLARAȚIE DE CONFORMITATE

Declarăm pe propria răspundere că acest produs este în conformitate cu următoarele standarde sau documente standardizate EN 61029, EN 55014-1, EN 55014-2, EN 61000-3-2, EN 61000-3-3, în conformitate cu reglementările 2006/42/EC, 2004/108/EC.



Winnenden, 2010-09-21

Rainer Kumpf  
Manager Product Development

Împuternicit să elaboreze documentația tehnică.

#### ALIMENTARE DE LA REȚEA

Conectați numai la priză de curent alternativ monofazat și numai la tensiunea specificată pe placuța indicatoare. Se permite conectarea și la prize fără împământare dacă modelul se conformează clasei II de siguranță.

#### INTREȚINERE

Fantele de aerisire ale mașinii trebuie să fie menținute libere tot timpul

Utilizați numai accesorii și piese de schimb Milwaukee. Dacă unele din componente care nu au fost descrise trebuie înlocuite, vă rugăm contactați unul din agenții de service Milwaukee (vezi lista noastră pentru service / garanție)

Dacă este necesară, se poate comanda o imagine descompusă a sculei. Vă rugăm menționați numărul art. Precum și tipul mașinii tipărit pe etichetă și comandați desenul la agenții de service locali sau direct la Milwaukee Electric Tool, Max-Eyth-Straße 10, D-71364 Winnenden, Germany.

#### SIMBOLURI



Va rugăm citiți cu atenție instrucțiunile înainte de pornirea mașinii



Întotdeauna scoateți stecarul din priză înainte de a efectua intervenții la mașină.



Purtați întotdeauna ochelari de protecție când utilizați mașina.



Nu aruncați scule electrice în gunoiul menajer! Conform directivei europene nr. 2002/96/EC referitor la aparate electrice și electronice uzate precum și la transpunerea acesteia în drept național, sculele electrice trebuie colectate separat și introduse într-un circuit de reciclare ecologic.



ТЕХНИЧКИ ПОДАТОЦИ	Ножица	CHS 355 (110-120 V)	CHS 355 (220-240 V)
Определен внес .....	1800 W .....	2300 W .....	
Брзина без оптоварување .....	3800 min <sup>-1</sup> .....	3800 min <sup>-1</sup> .....	
Циркуларен диск-Ø .....	355 mm .....	355 mm .....	
Дупка за Ø на циркуларниот диск .....	25.4 mm .....	25.4 mm .....	
Тежина според ЕПТА-процедурата 01/2003 .....	17,5 kg .....	17,5 kg .....	

#### Информација за бучавата/вибрациите

Измерените вредности се одредени согласно стандардот EN 61029.

A-оценетото ниво на бучава на апаратот типично изнесува:

Ниво на јачина на звук. (K=3dB(A)) .....	91 dB (A) .....	94,5 dB (A) .....
Ниво на звучен притисок. (K=3dB(A)) .....	104 dB (A) .....	107,5 dB (A) .....

#### Носте штитник за уши.

Вкупни вибрациски вредности (векторски збир на трите насоки) пресметани согласно EN 61029.

Вибрациска емисиона вредност a <sub>w</sub> .....	3,1 m/s <sup>2</sup> .....	3,1 m/s <sup>2</sup> .....
Несигурност K= .....	1,5 m/s <sup>2</sup> .....	1,5 m/s <sup>2</sup> .....

#### ПРЕДУПРЕДУВАЊЕ

Нивото на осцилација наведено во овие инструкции е измерено во согласност со мерните постапки нормирани во EN 61029 и може да биде употребено за меѓусебна споредба на електро-алати. Ова ниво може да се употреби и за привремена проценка на оптоварувањето на осцилацијата.

Наведеното ниво на осцилација ги репрезентира главните намени на електро-алатот. Но, доколку електро-алатот се употребува за други намени, со отстапувачки додатоци или со несоодветно одржување, нивото на осцилација може да отстапи. Тоа може значително да го зголеми оптоварувањето на осцилацијата за време на целиот работен период.

За прецизна проценка на оптоварувањето на осцилацијата предвид треба да бидат земени и времињата, во коишто апаратот е исклучен или работи, но фактички не се употребува. Тоа може значително да го намали оптоварувањето на осцилацијата за време на целиот работен период.

Утврдете дополнителни безбедносни мерки за заштита на операторот од влијанието на осцилациите, како на пример: одржување на електро-алатот и на додатоци кон електро-алатот, одржување топли раце, организација на работните процеси.

**▲ ПРЕДУПРЕДУВАЊЕ! Прочитајте ги сите безбедносни упатства и инструкции.** Заборавање на почитувањето на безбедносните упатства и инструкции можат да предизвикаат електричен удар, пожар и/или тешки повреди.  
**Сочувајте ги сите безбедносни упатства и инструкции за во иднина.**

#### УПАТСТВО ЗА УПОТРЕБА

**Носете штитник за уши.** Изложеноста на бука може да предизвика губење на слухот.

Уредите кои се користат на многу различни локации вклучувајќи и отворен простор мора да бидат поврзани за струја преку направата за поврзување (FI, RCD, PRCD).

Секогаш кога преземате активности врз машината исклучете го кабелот од струјата.

Вклучувањето на кабелот во струја се прави исклучиво машината е исклучена.

Чувајте го кабелот за напојување подалеку од работната површина. Секогаш водете го кабелот позади вас.

Употребувајте заштитна опрема. При работа со машината постојано носете заштитни очила. Се препорачува заштитна облека како: маска за заштита од прашина, заштитни ракавици, цврсти чевли што не се лизгаат, кацига и заштита за уши.

Прашината и струготините не смеат да се одстрануваат додека е машината работи.

Никогаш не посегнувајте во зоната на опасната работна површина при вклучена машина.

Секогаш користете заштитен штит на машината.

Никогаш не ја употребувајте брусилката за сечење за сечење на други материјали од оние што се наведени во Упатството за употреба.

Транспортирајте ја брусилката за сечење само со „легнат“ осигурувач за транспорт на рачката.

Употребувајте ја брусилката за сечење само со сигурно функционален и одржуван заштитен капак. Заштитниот капак мора да се отклонува назад самостојно.

Шрафот за штелување мора да биде затегнат пред да се почне со работа со машината.

Не употребувајте циркуларни дискови што се оштетени или деформирани.

Секогаш употребувајте и чувајте ги циркуларните дискови согласно податоците на производителот.

Употребувајте само циркуларни дискови што се одобрени за вашиот електро-алат како и за него предвидениот заштитен капак. Телата за мазнење што не се предвидени за овој електро-алат не пружаат доволна заштита и не се безбедни.

Не употребувајте ланци ниту забести дискови за сечење. Таквите алати честопати предизвикуваат повратен удар или губење на контролата над електро-алатот.

Секогаш употребувајте го заштитниот капак. Заштитниот капак мора да биде наместен и наштелуван на електро-алатот така, што ќе се постигне највисоко ниво на безбедност, тоа значи најмал дел од циркуларниот диск се појавува отворен кон корисникот. Заштитниот капак треба да го заштити корисникот од парчиња и од случаен контакт со телото за мазнење и сечење.

Дисковите за сечење и фланшите мораат точно да одговараат на вретеното за сечење на вашиот електро-алат.

Проверувајте ги циркуларните дискови пред употреба. Дискот мора да биде беспрекорно монтиран и треба да може да се движи слободно. Извршете пробна работа од најмалку 30 секунди без оптоварување. Не употребувајте оштетени, нерамни или вибрирачки дискови за сечење.

Секогаш употребувајте неоштетени тркалести фланши со соодветна големина и форма за избраниот циркуларен диск. Соодветните фланши го потпираат циркуларниот диск, со што ја намалуваат опасната од кршење на дискот.

При сечење метали доаѓа до појава на искри. Внимавајте на тоа, да не бидат загрозени луѓе. Поради опасноста од пожар, во близина не смеат да се наоѓаат запаливи материјали (подрачје на искри). Не употребувајте уреди за всмукување прашина.

Не употребувајте оштетени циркуларни дискови. Пред секоја употреба извршете контрола на циркуларниот диск по однос на пукнатини и процепи, како и на тркалото на дискот по однос на пукнатини, абенење или значителна искористеност.

По исклучување на машината таа не преминува веднаш во состојба на мирување (накнадно движење на циркуларниот диск). По исклучувањето сочекајте циркуларниот диск да постигне состојба на мирување.

Избегнувајте блокирање на циркуларниот диск или премногу висок притисок на допир.

Доколку циркуларниот диск заглави или доколку прекинете со работа, исклучете го електро-алатот и сочекајте додека дискот да постигне состојба на мирување. Никогаш не се обидувајте од материјалот за обработка да извлечете диск што врти, во спротивно може да дојде до повратен удар. Испитајте и отстранете ја причината за заглавувањето.

Никогаш не го вклучувајте повторно електро-алатот, додека се наоѓа во материјалот за обработка. Дозволете циркуларниот диск да го достигне својот целосен број на вртежи, пред внимателно да продолжите со сечењето. Во спротивно дискот може да се заглави, да излети од материјалот за обработка или да предизвика повратен удар.

Материјалот за обработка мора да биде цврсто стегнат.

Редовно чистете ги отворите за воздух на вашиот електро-алат. Вентилаторот на моторот влече прашина во куќиштето, а значителното насобирање на метална прашина може да предизвика електрична опасност.

Обезбедете, машината да стои постојано цврсто (на пример прицврстување на работната маса).

Долгите парчиња мораат да бидат соодветно потпирани.

#### СПЕЦИФИЦИРАНИ УСЛОВИ НА УПОТРЕБА

Брусилката за сечење е наменета за прилагодување на должината на метални профили, метални цевки и метални шипки. Оваа машина не е наменета за обработка на дрво.

Не го користете овој производ на било кој друг начин освен пропишаниот за нормална употреба.

#### ЕУ-ДЕКЛАРАЦИЈА ЗА СООБРАЗНОСТ

Ние во целосна одговорност изјавуваме дека овој производ е во сообразност со следните стандарди и стандардизирани документи. EN 61029, EN 55014-1, EN 55014-2, EN 61000-3-2, EN 61000-3-3, и е во согласност со прописите 2006/42/EC, 2004/108/EC.



Winnenden, 2010-09-21

Rainer Kumpf  
Manager Product Development

Опномоштен за составување на техничката документација.

#### ГЛАВНИ ВРСКИ

Да се спои само за една фаза АС коло и само на главниот напон наведен на плочката. Можно е исто така и поврзување на приклучок без заземување доколку изведбата соодветствува на безбедност од 2 класа.

#### ОДРЖУВАЊЕ

Вентилациските отвори на машината мора да бидат комплетно отворени постојано.

Користете само Milwaukee додатоци и резервни делови. Доколку некои од компонентите кои не се опишани треба да бидат заменети, Ве молиме контактирајте ги сервисните агенти на Milwaukee (консултирајте ја листата на адреси).

Доколку е потребно можно е да биде набавен детален приказ на алатот. Ве молиме наведете го бројот на артиклот како и типот на машина кој е отпечатен на етикетата и порачајте ја скицата кај локалниот застапник или директно кај: Milwaukee Electric Tool, Max-Eyth-Straße 10, D-71364 Winnenden, Germany.

#### СИМБОЛИ



Ве молиме пред да ја стартувате машината обрнете внимание на упатствата за употреба.



Секогаш пред спроведување на каков и да е зафат врз машината исклучете го кабелот од приклучокот.



Секогаш при користење на машината носете ракавици.



Не ги фрлајте електричните апарати заедно со другиот домашен отпад! Европска регулатива 2002/96/EC за одлагање на електрична и електронска опрема и се применува согласно националните закони. Електричните апарати кои го достигнале крајот на својот животен век мора да бидат одвоено собрани и вратени во соодветна рециклажна установа.



技术数据	刀	CHS 355 (110-120 V)	CHS 355 (220-240 V)
输入功率.....		1800 W	2300 W
无负载转速.....		3800 min <sup>-1</sup>	3800 min <sup>-1</sup>
切割砂轮的直径.....		355 mm	355 mm
切割砂轮孔的直径.....		25,4 mm	25,4 mm
重量符合EPTA – Procedure 01 / 2003.....		17,5 kg	17,5 kg

**噪音信息**  
 本测量值符合 EN 61029 条文的规定。  
 器械的标准A-值噪音级为：  
 音压值 (K = 3 dB(A))..... 91 dB (A) ..... 94,5 dB (A)  
 音量值 (K = 3 dB(A))..... 104 dB (A) ..... 107,5 dB (A)  
 请戴上护耳罩！

**振动信息**  
 依欧盟EN 61029 标准确定的振荡总值（三方向矢量和）。  
 a<sub>n</sub>-振荡发射值:..... 3,1 m/s<sup>2</sup>..... 3,1 m/s<sup>2</sup>  
 K- 不可靠性 =..... 1,5 m/s<sup>2</sup>..... 1,5 m/s<sup>2</sup>

**注意**  
 本规程列出的依欧盟EN 61029 标准一项标准测量方法测量的振荡级也可用于电动工具比较并适合于临时振荡负荷估计。  
 该振荡级代表电动工具的主要应用。电动工具的其他应用，不正确的工作工具或欠缺维护可造成振荡级偏差。此可明确提高总工作期间的振荡负荷。  
 正确地估计一定工作期间的振荡负荷也要考虑到工具关闭或接通而不使用的期间。此可明确减少总工作期间的振荡负荷。  
 为提高操作人员对振荡作用的保护得规定补充安全措施：电动工具及工作工具的维护，温手，工作过程组织等。

**⚠ 注意！** 务必仔细阅读所有安全说明和安全指示（应注意阅读附上的小册子）。如未确实遵循警告提示和指示，可能导致电击、火灾並且/ 或其他的严重伤害。  
 妥善保存所有的警告提示和指示，以便日后查阅。

### 特殊安全指示

请戴上耳罩。工作噪音会损坏听力。  
 户外插座必须连接剩余电流防护开关。这是使用电器用品的基本规定。使用本公司机器时，务必遵守项规定（FI, RCD, PRCD）。  
 在机器上进行任何修护工作之前，务必从插座上拔出插头。  
 确定机器已经关闭了才可以插上插头。  
 电源线必须远离机器的作业范围。操作机器时电线必须摆在机身后端。  
 使用防护装备。操作机器时必须佩戴护目镜。最好也使用下列的防护装备，例如防尘面具、护手套、坚固而且止滑的工作鞋、安全头盔和耳罩等。  
 如果机器仍在运转，切勿清除其上的木屑或金属碎片。  
 请与运转中的机器保持安全距离。  
 务必使用机器的安全保护设备。  
 使用砂轮切割机时，务必只切割本说明书所提出的材料。  
 砂轮切割机的运输保险装置被啮合后，才能抓住手柄运输机器。  
 使用砂轮切割机之前，先检查防护罩是否运作正常并维修得好。防护罩须自动反转。  
 使用机器之前必须先收紧法兰螺母。  
 务必不使用损坏或变形的切割砂轮。  
 请经常依照制造者的指示使用并保管切割砂轮。  
 只能使用电动工具的专用切割砂轮，以及能够配合切割砂轮的防护罩。防护罩无法正确地覆盖住非本电动工具专用的磨具，因此容易产生工作意外。


不可以使用链锯或齿状锯片。使用此类工具容易造成回击，也容易发生机器失控的情况。  
 务必经常使用切割砂轮专用的防护罩。防护罩要正确地安装在电动工具上。适度调整防护罩以便发挥它最大的安全功能。换言之，朝向操作者的磨具部位必须尽可能被防护罩覆盖住。防护罩必须能够保护操作者免受碎片割伤，以及预防操作者不小心碰触磨具。  
 切割砂轮和法兰必须与电动工具的砂轮轴完全吻合。  
 操作机器之前必须先检查切割砂轮。不仅要正确地安装工具，工具转动时也不能产生摩擦。至少必须进行30秒的无负载试转。不可以使用已经损坏、变形或转动时会震动的切割砂轮。  
 只能使用完好的紧固法兰。并根据砂轮的尺寸选择大小正确和形状合适的法兰。合适的法兰能够正确支撑砂轮，並减低砂轮破裂的可能性。  
 切割金属时会产生火花。勿让喷溅的火花伤害旁观者。为了预防火灾，工作范围内（火花的喷溅范围内）不可堆放易燃物品。不可以使用吸尘装置。  
 不可以使用损坏的工具。使用前先详细检查工具，例如检查砂轮上是否有剥落和撕裂的痕迹，检视磨盘是否已经出现裂痕，或强烈磨损。  
 关闭电源后机器仍会继续转动（切割砂轮的空转）。关闭电源后要等待切割砂轮完全静止。  
 避免让切割砂轮卡住，也不可以过度用力推压切割砂轮。  
 在切割砂轮被夹住或者突然中断工作时，要马上关闭电动工具，並镇静地等待切割砂轮减速且停止转动。切勿试图从割痕中拔出仍继续自转的切割砂轮，这样可能造成机器回击。尽快检查机器，找出导致切割砂轮被夹住的原因並將其排除。  
 如果切割砂轮仍然插在工件中，则勿开动电动工具。等待切割砂轮的转速上升到正常标准后，再小心地进行未完成的锯割工作。否则切割砂轮可能被夹在工件中、也可能从工件中弹出或者会造成回击。  
 务必使用固定装置夹紧工件。

定期清洁电动工具的通风孔。发动机会将灰尘吸入机壳中，机器中如果堆积了大量的金属尘容易造成触电。  
 务必确保机械的安全位置（将机械安装在工作台上等措施）。正确地支撑好长的工件。

### 正确地使用机器

砂轮切割机适用于金属型材，金属管及金属杆的定寸切断。本机器不适用于木材加工。  
 请依照本说明书的指示使用此机器。

### 电源插头

 只能连接单相交流电，只能连接机器铭牌上规定的电压。本机器也可以连接在没有接地装置的插座上，因为本机器的结构符合第II 级绝缘。

### 维修

机器的通气孔必须随时保持清洁。  
 只能使用 Milwaukee 的配件和零件。缺少检修说明的机件如果损坏了，必须交给 Milwaukee 的顾客服务中心更换（参考手册“保证书 / 顾客服务中心地址”）。  
 如果需要机器的分解图，可以向您的顾客服务中心或直接向 Milwaukee Electric Tool, Max-Eyth-Straße 10, D-71364 Winnenden, Germany。案件时必须提供以下资料：机型和机器铭牌上的十位数字码。

### 符号

-  使用本机器之前请仔细阅读使用说明书。
-  在机器上进行任何修护工作之前，务必从插座上拔出插头。
-  操作机器时必须佩戴护目镜。
-  不可以把损坏的电动工具丢弃在家庭垃圾中！根据被欧盟各国引用的有关旧电子机器的欧洲法规2002/96/EC，必须另外收集旧电子机器，並以符合环保规定的方式回收再利用。

Copyright 2011  
Milwaukee Electric Tool  
Max-Eyth-Straße 10  
D-71364 Winnenden  
Germany  
+49 (0) 7195-12-0



(03.11)

**4931 4141 04**