

AEG

POWERTOOLS

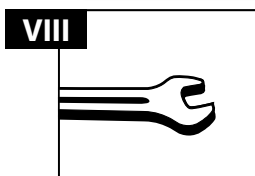
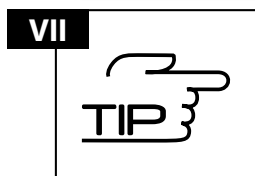
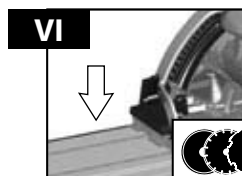
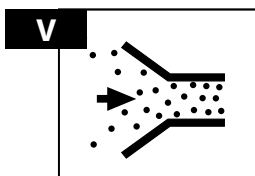
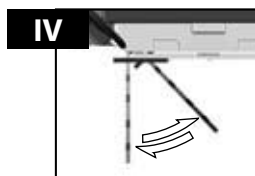
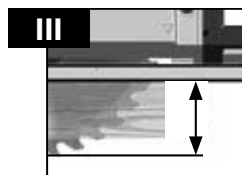
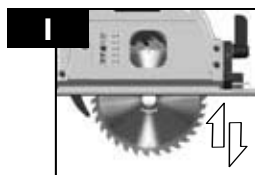
TS 55 E

Original instructions
Originalbetriebsanleitung
Notice originale
Istruzioni originali
Manual original
Manual original
Oorspronkelijke
gebruiksaanwijzing
Original brugsanvisning
Original bruksanvisning
Bruksanvisning i original
Alkuperäiset ohjeet
Πρωτότυπο οδηγιών χρήσης
Orijinal işletme talimatı
Původním návodem k používání

Pôvodný návod na použitie
Instrukcja oryginalna
Eredeti használati utasítás
Izvirna navodila
Originalne pogonske upute
Instrukcijâm oriĕinâlvalodâ
Originali instrukcija
Algupärane kasutusjuhend
Оригинальное руководство по
эксплуатации
Оригинално ръководство за
експлоатация
Instrucțiuni de folosire originale
Оригинален прирачник за работа
原始的指南

Technical Data, Safety Instructions, Specified Conditions of Use, EC-Declaration of Conformity, Mains connection, Maintenance, Symbols	Please read and save these instructions!	English	15
Technische Daten, Sicherheitshinweise, Bestimmungsgemäße Verwendung, CE-Konformitätserklärung, Netzanschluss, Wartung, Symbole	Bitte lesen und aufbewahren!	Deutsch	18
Caractéristiques techniques, Instructions de sécurité, Utilisation conforme aux prescriptions, Déclaration CE de Conformité, Branchement secteur, Entretien, Symboles	Prière de lire et de conserver!	Français	21
Dati tecnici, Norme di sicurezza, Utilizzo conforme, Dichiarazione di Conformità CE, Collegamento alla rete, Manutenzione, Simboli	Si prega di leggere le istruzioni e di conservarle!	Italiano	24
Datos técnicos, Instrucciones de seguridad, Aplicación de acuerdo a la finalidad, Declaración de Conformidad CE, Conexión eléctrica, Mantenimiento, Símbolos	Lea y conserve estas instrucciones por favor!	Español	27
Características técnicas, Instruções de segurança, Utilização autorizada, Declaração de Conformidade CE, Ligação à rede, Manutenção, Símbolo	Por favor leia e conserve em seu poder!	Português	30
Technische gegevens, Veiligheidsadviezen, Voorgeschreven gebruik van het systeem, EC-Konformiteitsverklaring, Netaansluiting, Onderhoud, Symbolen	Lees en let goed op deze adviezen!	Nederlands	33
Tekniske data, Sikkerhedshenvisninger, Tiltænk formål, CE-Konformitetserklæring, Netttilslutning, Vedligeholdelse, Symboler	Vær venlig at læse og opbevare!	Dansk	36
Tekniske data, Spesielle sikkerhetshenvisninger, Formålmessig bruk, CE-Samsvarserklæring, Netttilkopling, Vedlikehold, Symboler	Vennligst les og oppbevar!	Norsk	39
Tekniska data, Säkerhetsutrustning, Använd maskinen Enligt anvisningarna, CEFörsäkrän, Nätanslutning, Skötsel, Symboler	Var god läs och tag tillvara dessa instruktioner!	Svenska	42
Tekniset arvot, Turvallisuusohjeet, Tarkoituksenmukainen käyttö, Todistus CE-standardin mukaisiudesta, Verkkoliitäntä, Huolto, Symbolit	Lue ja säilytä!	Suomi	45
Τεχνικά στοιχεία, Ειδικές υποδείξεις ασφάλειας, Χρήση σύμφωνα με το σκοπό προορισμού, Δήλωση πιστότητας ΕΚ, Μπαταρίες, Χαρακτηριστικά, Συντήρηση, Σύμβολα.	Παρακαλώ διαβάστε τις και φυλάξτε τις!	Ελληνικά	48
Teknik veriler, Güvenliğinizi için talimatlar, Kullanım, CE uygunluk beyanince, Şebeke bağlantısı, Bakım, Semboller	Lütfen okuyun ve saklayın	Türkçe	51
Technická data, Speciální bezpečnostní upozornění, Oblast využití, Ce-prohlášení o shodě, Připojení na síť, Údržba, Symboly	Po přečtení uschovejte	Česky	54
Technické údaje, Špeciálne bezpečnostné pokyny, Použitie podľa predpisov, CE-Vyhlasenie konformity, Sieťová pripojka, Údržba, Symboly	Prosim prečítať a uschovať!	Slovensky	57
Dane techniczne, Specjalne zalecenia dotyczace bezpieczenstwa, Uzytkowanie zgodne z przeznaczeniem, Swiadectwo zgodnosci ce, Podlaczenie do sieci, Gwarancja, Symboly	Prosimy o uwazne przeczytanie i przetrzymanie zaleceń zamie szczonych w tej instrukcji.	Polski	60
Műszaki adatok, Különleges biztonsági tudnivalók, Rendeltetés szerű használat, Ce-azonossági nyilatkozat, Hálózati csatlakoztatás, Karbantartás, Szimbólumok	Prosimo preberite in shranite!	Magyar	63
Tehnični podatki, Specialni varnostni napotki, Uporaba v skladu z namembnostjo, Ce-izjava o konformnosti, Omrežni priključek, Vzdrževanje, Simboli	Prosimo preberite in shranite!	Slovensko	66
Tehnički podaci, Specijalne sigurnosne upute, Propisna upotreba, Ce-izjava konformnosti, Priključak na mrežu, Održavanje, Simboli	Molimo pročitati i sačuvati!	Hrvatski	69
Tehniske dati, Speciālie drošības noteikumi, Noteikumiem atbilstošs izmantojums, Atbilstība CE normām, Tīkla pieslēgums, Apkope, Simboli	Pielikums lietošanas pamācībai	Latviski	72
Techniniai duomenys, Ypatingos saugumo nuorodos, Naudojimas pagal paskirti, CE Atitikties pareiškimas, Elektros tinklo jungtis, Techninis aptarnavimas, Simboliai	Prašome perskaityti ir neišmesti!	Lietuviškai	75
Tehnilised andmed, Spetsiaalsed turvajuhised, Kasutamine vastavalt otstarbele, EÜ Vastavusavaldus, Võrku ühendamine, Hoolitus, Sümbolid	Palun lugege läbi ja hoidke alal!	Eesti	78
Технические данные, Рекомендации по технике безопасности, Использо- вание, Подключение к электросети, Обслуживание, Символы	Пожалуйста, прочтите и сохраните настоящую! инструкцию	По-русски	81
Технически данни, Специални указания за безопасност, Използване по предназначение, CE-Декларация за съответствие, Свързване към мрежата, Поддръжка, Символи	Моля прочетете и запазете!	БЪЛГАРСКИ	84
Date tehnice, Instrucțiuni de securitate, Condiții de utilizare speci.cate, Declarație de conformitate, Alimentare de la rețea, Intreținere, Simboluri	Va rugăm citiți și păstrați aceste instrucțiuni	România	87
Технички Податоци, Упатство За Употреба, Специфицирани Услови На Употреба, Еу-декларација За Сообразност, Главни Врски, Одржување, Символи	Ве молиме прочитајте го и чувајте го ова упатство!	МАКЕДОНСКИ	90
技术数据, 特殊安全指示, 正确地使用机器, 欧洲安全规定说明, 电源插头, 维修, 符号	请详细阅读并妥善保存!	中文	93

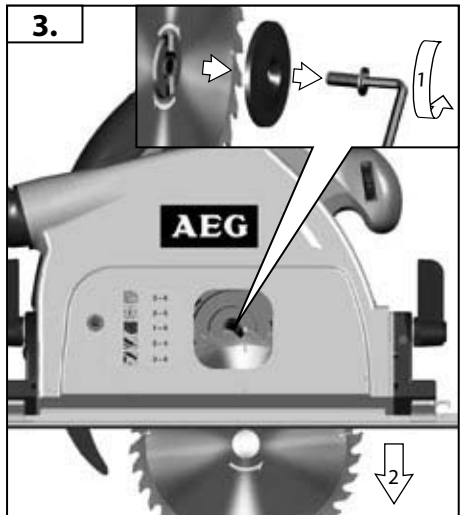
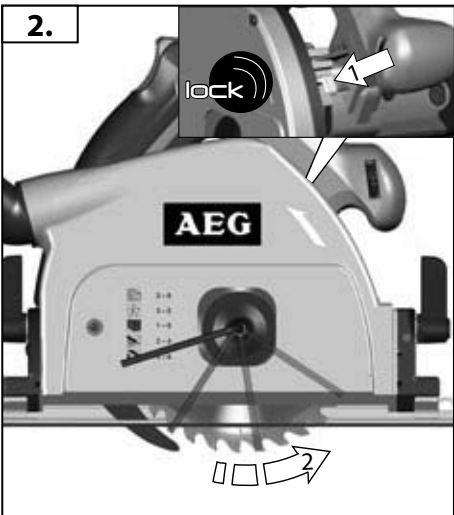
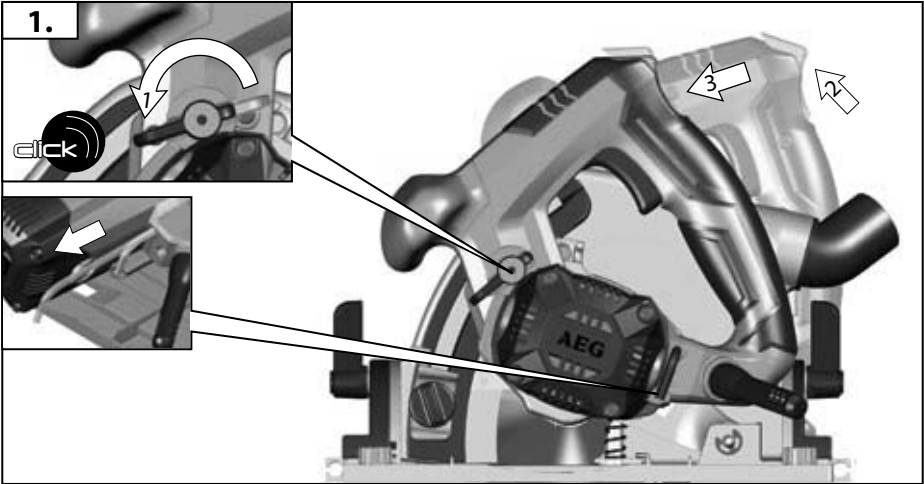
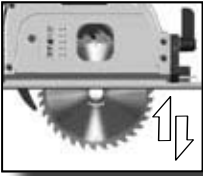


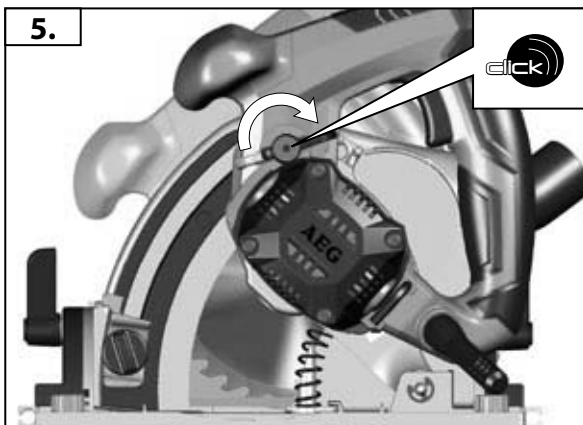
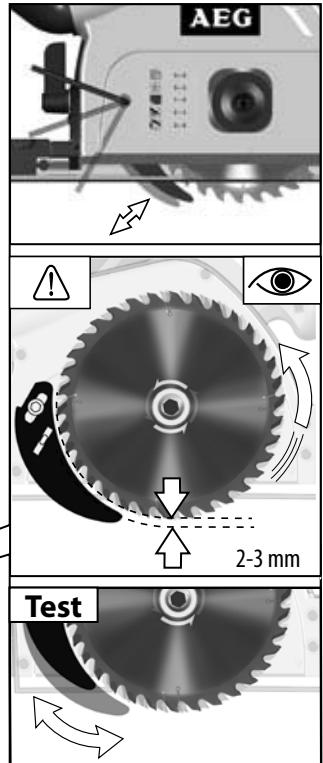
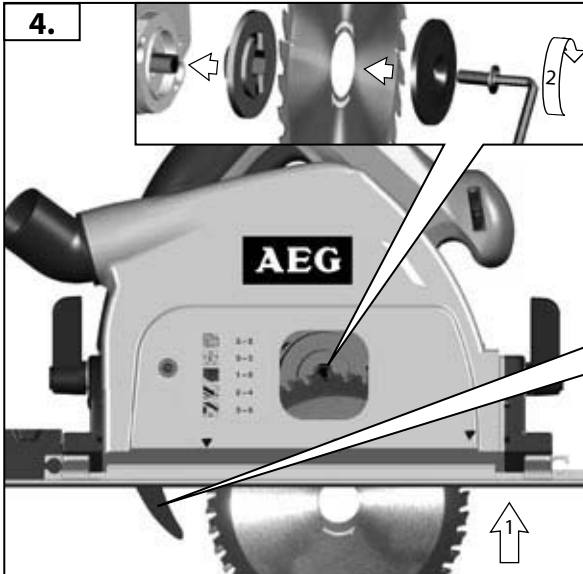
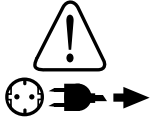
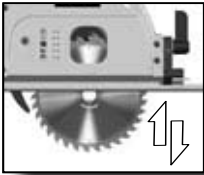


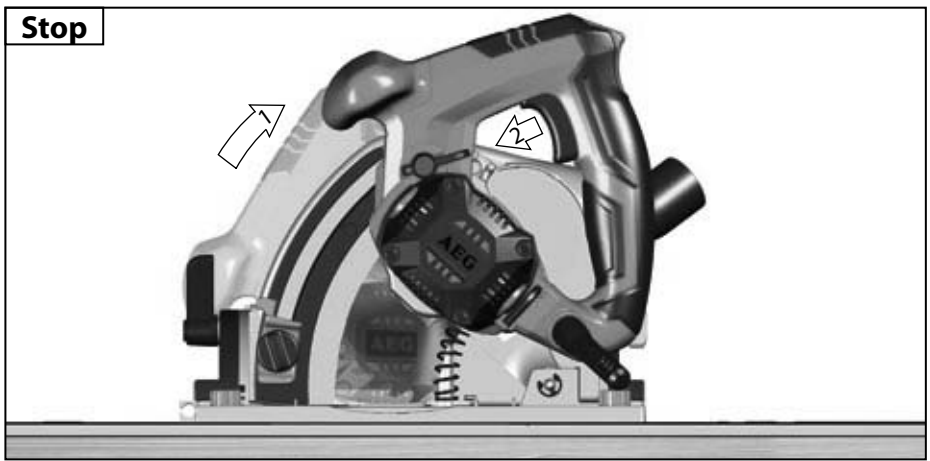
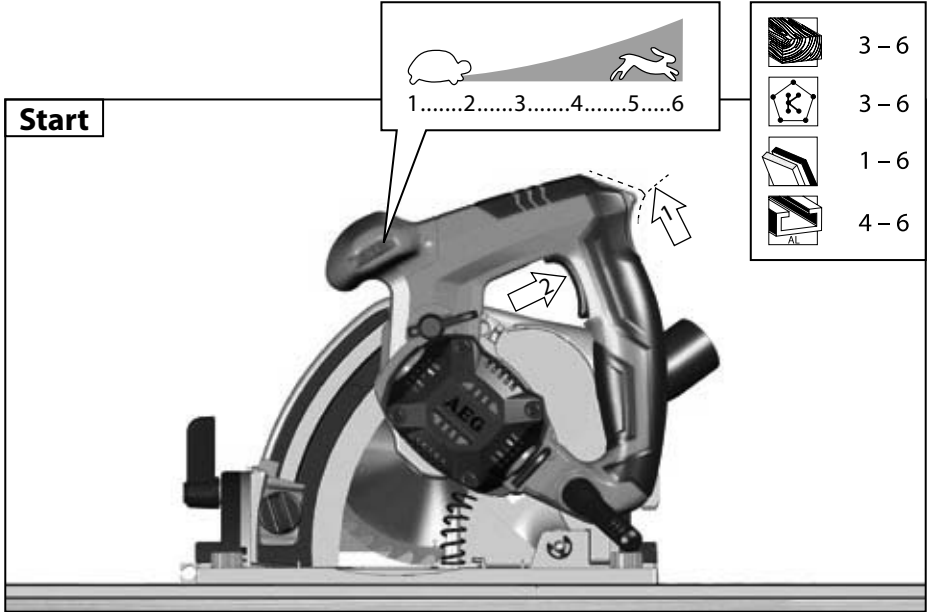
 Accessory
Zubehör
Accessoires
Accessorio

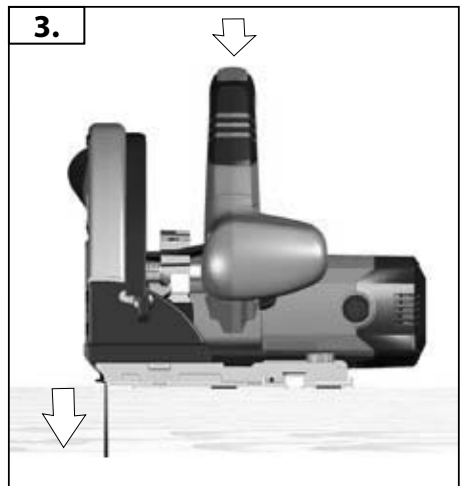
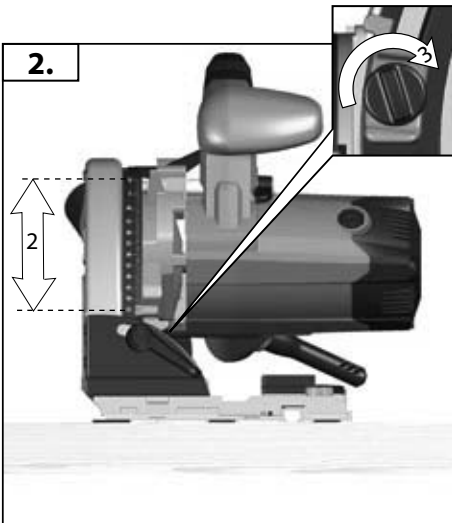
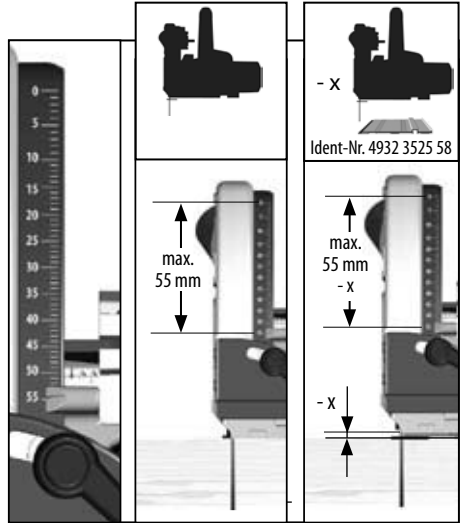
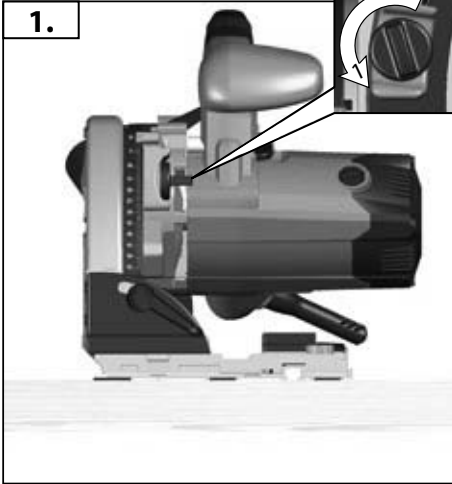
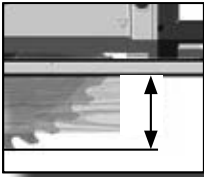
Accessorio • Acessório
Toebehoren • Tilbehør
Tilbehør • Tillbehör
Lisälaite • Εξαρτήματα
Aksesuar • Přislušenství
Prislušenstv • Wyposażenie
Azokat a tartozékokat
Oprema • Piederumi
Priedas • Tarvikud
Дополнитель • Аксессуары
Accesorii • ополнительна
опрема • 配件

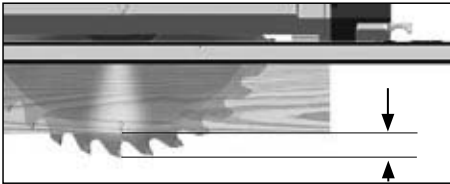
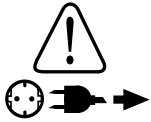
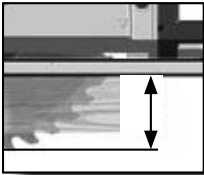












Adjust the cutting depth to the thickness of the workpiece. Less than a full tooth of the blade teeth should be visible below the workpiece.

Passen Sie die Schnitttiefe an die Dicke des Werkstücks an. Es sollte weniger als eine volle Zahnhöhe unter dem Werkstück sichtbar sein.

Adapter la profondeur de coupe à l'épaisseur de la pièce. Moins d'une dent complète devrait apparaître sous la pièce.

Adattare la profondità di taglio allo spessore del pezzo in lavorazione. Nella parte inferiore del pezzo in lavorazione dovrebbe essere visibile meno della completa altezza del dente.

Adaptar la profundidad de corte al grosor de la pieza de trabajo. La hoja de sierra no deberá sobresalir más de un diente de la pieza de trabajo.

Adaptar a profundidade de corte à espessura da peça a ser trabalhada. Deveria estar visível por aproximadamente menos do que uma altura de dente abaixo da peça a ser trabalhada.

Pas de zaagdiepte aan de dikte van het werkstuk aan. Er dient minder dan een volledige tandhoogte onder het werkstuk zichtbaar te zijn.

Tilpas skæredybden efter arbejdsstykkets tykkelse. Der må maksimalt være en hel tandhøjde synlig under emnet.

Tilpass skjæredybden til tykkelsen på arbeidsstykket. Det skal være mindre enn en full tannhøyde synlig under arbeidsstykket.

Anpassa sägdiupet till arbetsstyckets tjocklek. Den synliga delen av en tand under arbetsstycket måste vara mindre än en hel tand.

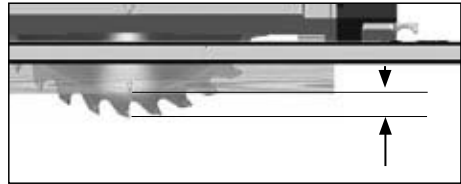
Aseta leikkauusyyvyys työkappaleen paksuuden mukaan. Työkappaleen alla tulisi terää näkyä korkeintaan täysi hammaskorkeus.

Προσαρμόστε το βάθος κοπής στο πάχος του υπό κατεργασία τεμαχίου. Κάτω το υπό κατεργασία τεμάχιο πρέπει να φαίνεται λιγότερο από ένα ολόκληρο δόντι του προϊόντος.

Kesme derinligini iş parçasının kalınlığına göre ayarlayın. İş parçası altında tam diş uzunluğunun daha azı görünmelidir.

Prizpůsobte hloubku rezu tloušťce obrobku. Pod obrobkem by měla být viditelná méně než celá výška zuba.

Hrúbku rezu prispôbte hrúbke obrobka. Pod obrobkom by malo byť vidieť menej pilového listu ako plnú výšku zuba píly.



Głębokość cięcia należy dopasować do grubości obrabianego przedmiotu. Powinno być widoczne mniej jak pełna wysokość zębów pod obrabianym przedmiotem.

A vágási mélységet a munkadarab vastagságának megfelelően kell megválasztani. A fűrészlapból a munkadarab alatt kevesebb mind egy teljes fogmagasságnynak kell kilátszania.

Prisimo, da globino reza prilagodite debelini obdelovanca. Znaša naj manj kot višina zoba, ki je vidna pod obdelovancom.

Prilagodite dubinu rezanja debljini izratka. Ispod izratka treba biti vidljiv manje od jedan puni zub.

Izvēlieties zāiņķanas dziļumu, kas atbilst zāiņģamā priekšmeta biezumam. Zāiņķanas dziļumam jābūt tik lielam, lai zem zāiņģamā priekšmeta redzamās asmens daļas augstums būtu mazāks par asmens zobu augstumu.

Pjovimo gylą tinkamai nustatykite pagal ruošinio storą. Ruošinio apaėioje turi matytis ıiek tiek mažiau, nei per visą pjūklą danties aukštą, išlindusi disko dalis.

Kohandage lõikesügavus tooriku paksusega. Saeketas võib tooriku alt vähem kui ühe täishamba võrra välja ulatuda.

Устанавливайте глубину реза в соответствии с толщиной детали. Под деталью пильное полотно не должно высываться более чем на один зуб.

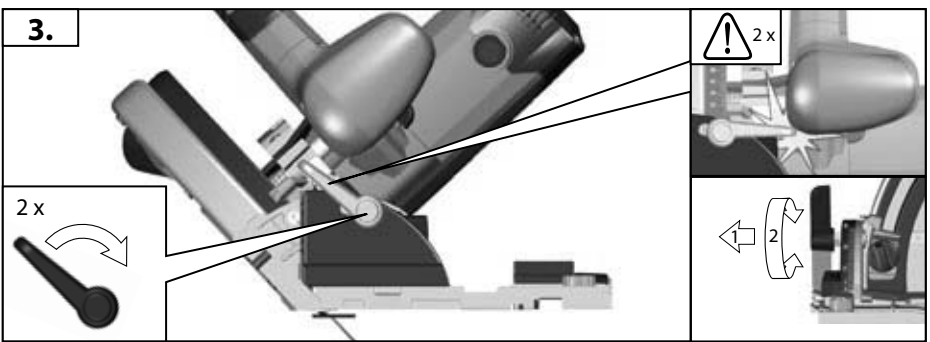
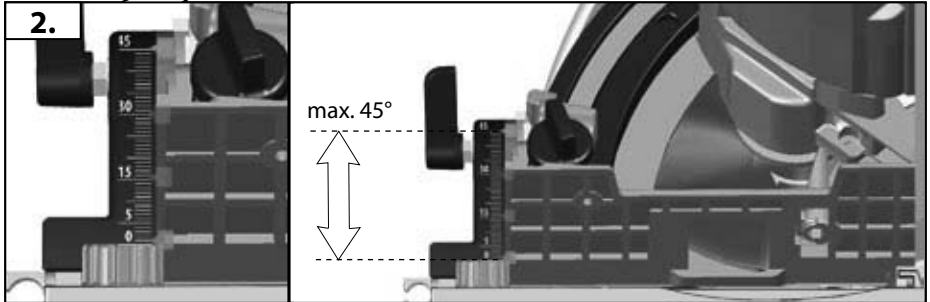
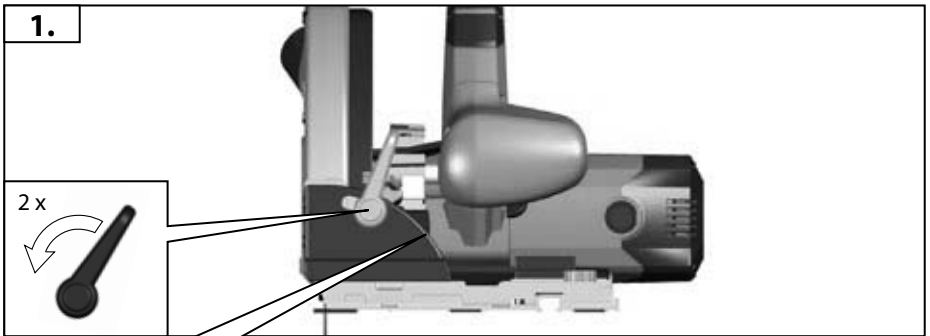
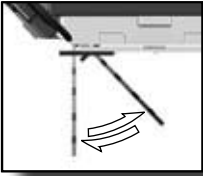
Винаги настройвайте дълбочината нарязане съобразно дебелината на стената на обработвания детайл. От обратната страна на детайла дискът трябва да се подава на разстояние, по-малко от една височина на зъба.

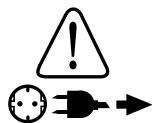
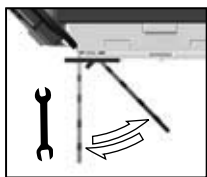
Adaptatjı adăncimea de tăiere la grosimea piesei de lucru. Sub piesa de lucru ar trebui să se vadă mai puţin de înălţimea întregă a unui dinte.

Prilagodite ja dlabochinata na zasekat vo zavisnost od gushtinata na obrabotuvanoto parche. Nesho pomalku od cel zabec od sečiloto treba da bide vidliv pod rabotnoto parche.

根据工件的厚度设定锯深。不可以让锯齿完全突出於工件之外。







If a correction of the 90° angle of the guide-plate to the saw blade is necessary, use the correction screw.

Falls eine Korrektur des 90° Winkels der Führungsplatte zum Sägeblatt nötig ist, diese mit der Korrekturschraube durchführen

Si une correction de l'angle à 90° de la plaque de base par rapport à la lame de scie s'avère nécessaire, il convient alors d'avoir recours à la vis de correction.

Nella caso in cui si rendesse necessaria una correzione dell'angolo di 90° della piastra di base rispetto alla lama, questa potrà essere effettuata agendo sulla vite di correzione.

Si es necesario un ajuste o corrección de perpendicularidad (90°) del disco de sierra actuar sobre el tornillo de ajuste.

Caso se torne necessário corrigir a esquadria da base em relação ao disco de corte, agir sobre o parafuso de afi nação.

Indien een correctie van de 90° hoek van de bodemplaat ten opzichte van het zaagblad nodig is kan deze worden gekorrigeerd met de correctieschroef.

Såfremt det er nødvendigt med en korrektion af bundpladens 90° vinkel i forhold til savklingen, gennemføres denne med korrektionsskruen.

Hvis det er nødvendigt å foreta en justering av 90°-vinkelen på føringsplaten i forhold til sagbladet, må dette gjøres med justeringsskruen.

Med ställskruv är det möjligt att justera 90°-vinkeln, bottenplatta till sågklingen.

Mikäli pohjalevyn 90°-kulman oikaisu sahanterään nähden on tarpeen, oikaisu suoritetaan oikaisuruuvista.

Kilavuz levhanin testere biçajına 90°lik konumunda bir düzeltme gerekirsorsa, bunu düzeltme vidasi ile yapın.

Je-li nutná oprava kolmosti vodící desky k pilovému kotouči, provedte to nastavovacím šroubem.

Ak je potrebná korektúra 90° uhlu vodiacej platne k pilovému listu, použite korekčnú skrutku.

Jeżeli konieczne jest skorygowanie kąta ustawienia płytki prowadzącej 90° w stosunku do brzościoty, należy wykorzystać do tego celu śrubę regulacyjną.

Ha az alaplap és a fűrészlap által bezárt 90 fokos szög korrekcióra szorul, használja az állító csavart.

Če je potrebna korektura 90° kota vodilne plošče k žaginemu listu, to opravite s pomočjo korekturnega vijaka.

Ako je potrebno korektura kuta vodeće ploče od 90° prema listu pile, ovu izvesti sa vijkom za korekturu.

Gadjijumā, ja nepieciešama atbalsta plāksnes 90° leņķa korekcija attiecībā pret zāģa rīpu, izmantojiet korekcijas skrūvi.

Jei tarp kreipiamosios ir pjūklų reikalinga 90° laipsnių pataisa, tai atlikite pataisos varžtą.

Juhul kui on vaja parandada juhtplaadi 90° nurka saelehe suhtes, siis tehke seda korrigeeriva kruviga.

Для регулировки угла 90 град направляющей шины пильного полотна служит

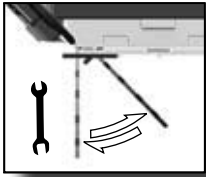
регулировочный винт Ако е необходима корекция на ъгъла от 90° на водещата плоча спрямо режещия диск, направете я с коригирация винт.

Dacă este necesară o corecție în unghi de 90° a plăcii de ghidare față de lama ferăstrăului, utilizați șurubul de corecție.

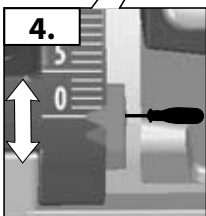
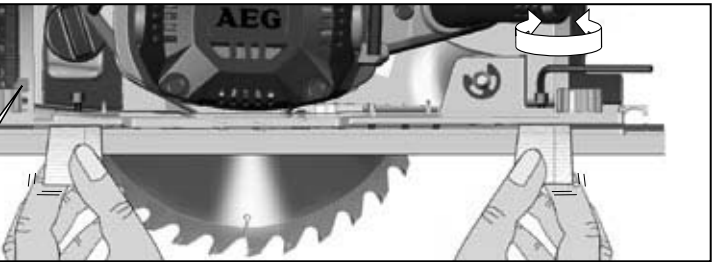
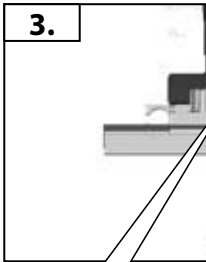
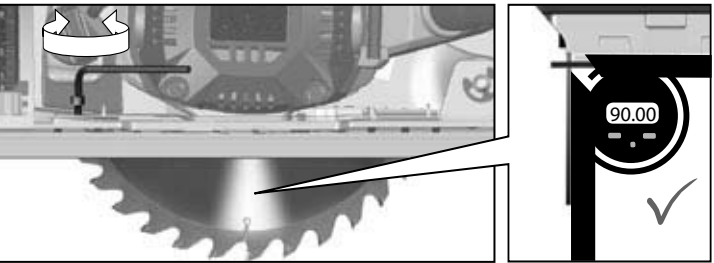
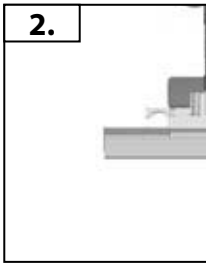
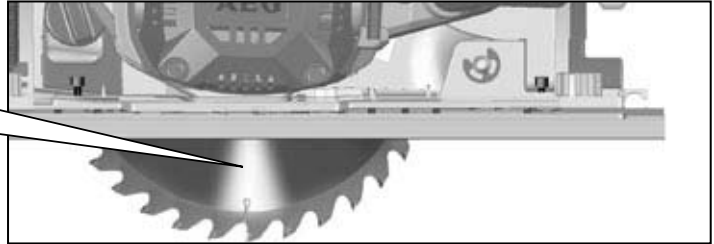
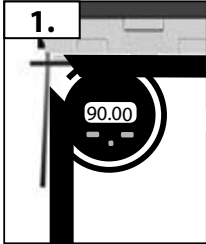
Доколку е потребно корегирање на аголот од 90° водечката површина кон сечилото на пилата, користет го шрафот за корекција.

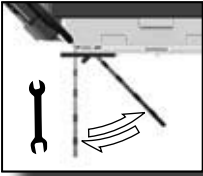
如果必须更改导引板和锯刀片之间的角度（90度），则要调整校正螺丝。



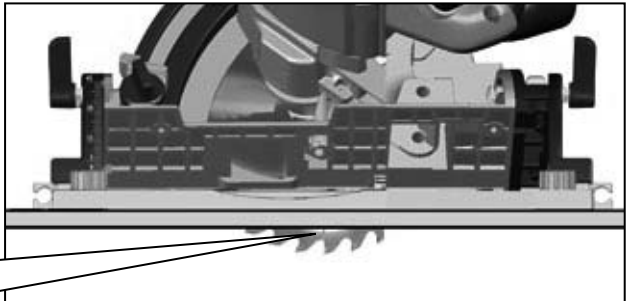
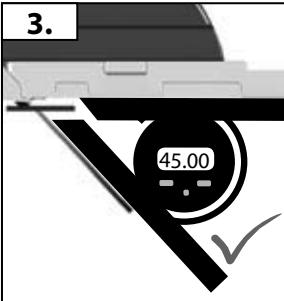
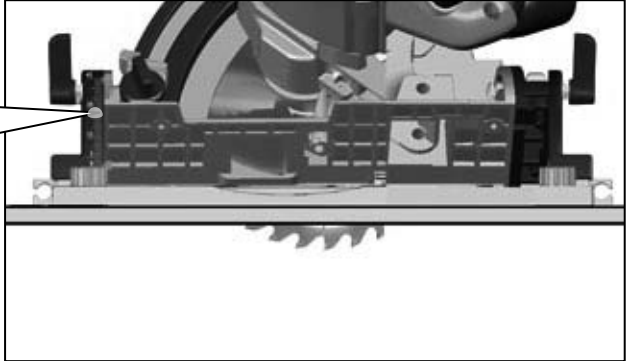
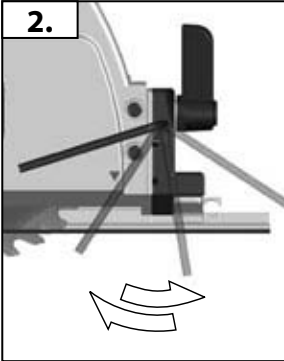
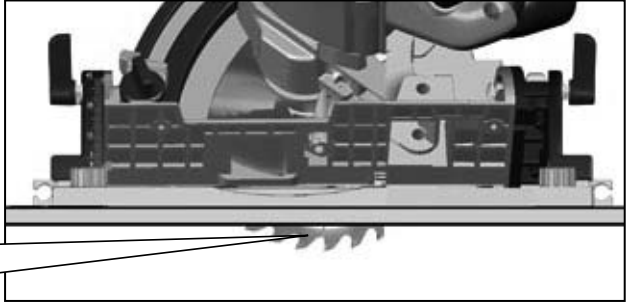
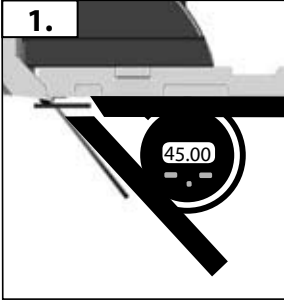


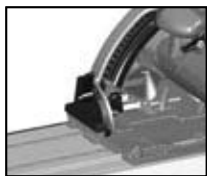
90°





45°



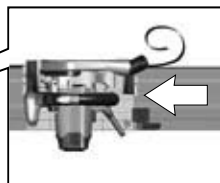
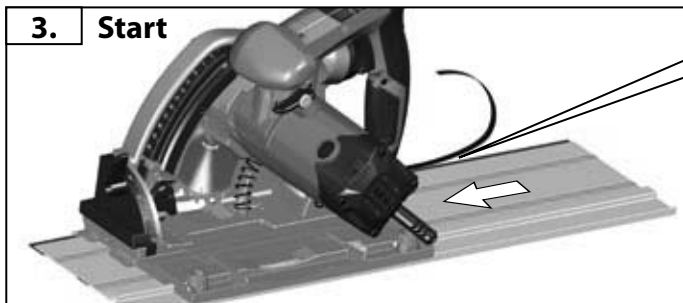
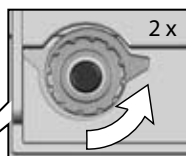
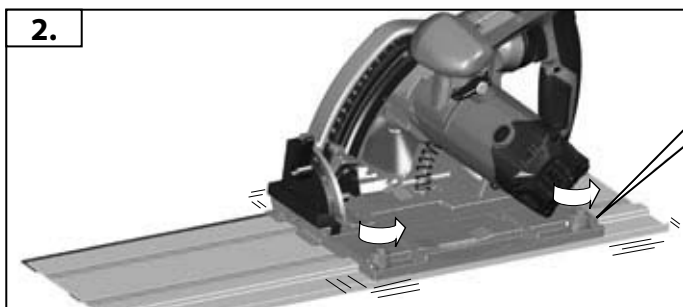
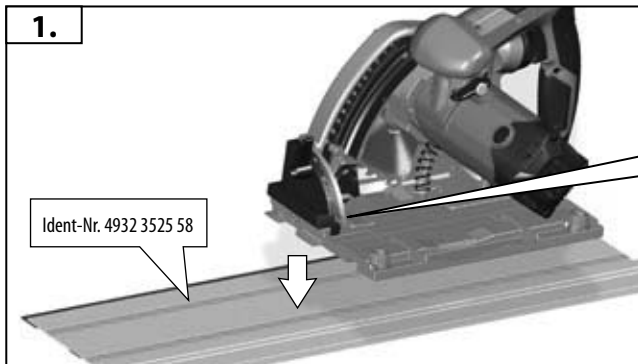
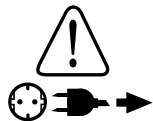


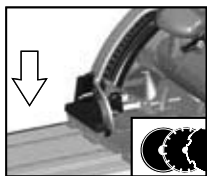
Accessory
Zubehör
Accessoire
Accessorio
Accessorio
Acessório
Toebehoren
Tilbehør

Tilbehør
Tilbehör
Lisälaite
Εξαρτήματα
Akcesuar
Příslušenství
Prislušenstvo
Element

wyposażenia
dodatkowego
Tartozék
Oprema
Pribor
Papildus
aprikojums
Priedas

Tarvikud
Дополнитель
Аксесоар
Ассесории
Додатоци
配件



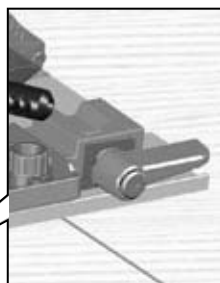
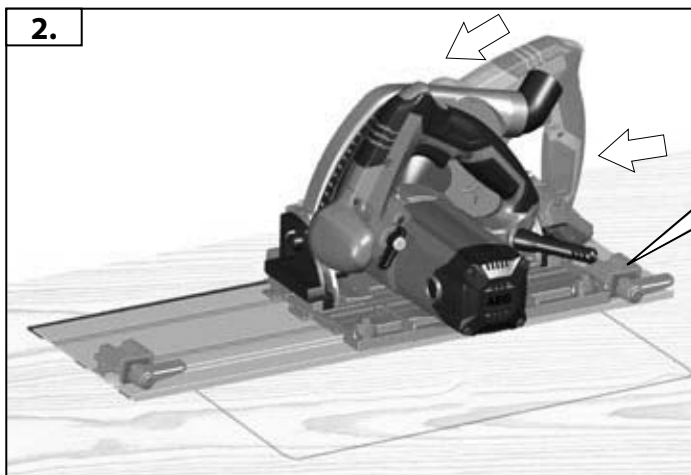
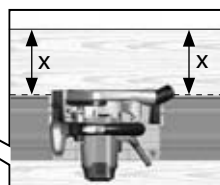
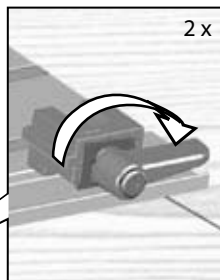
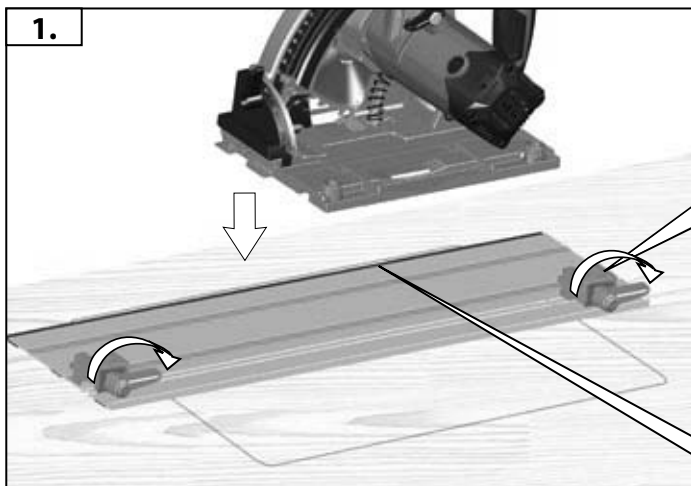
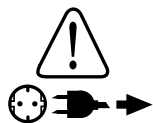


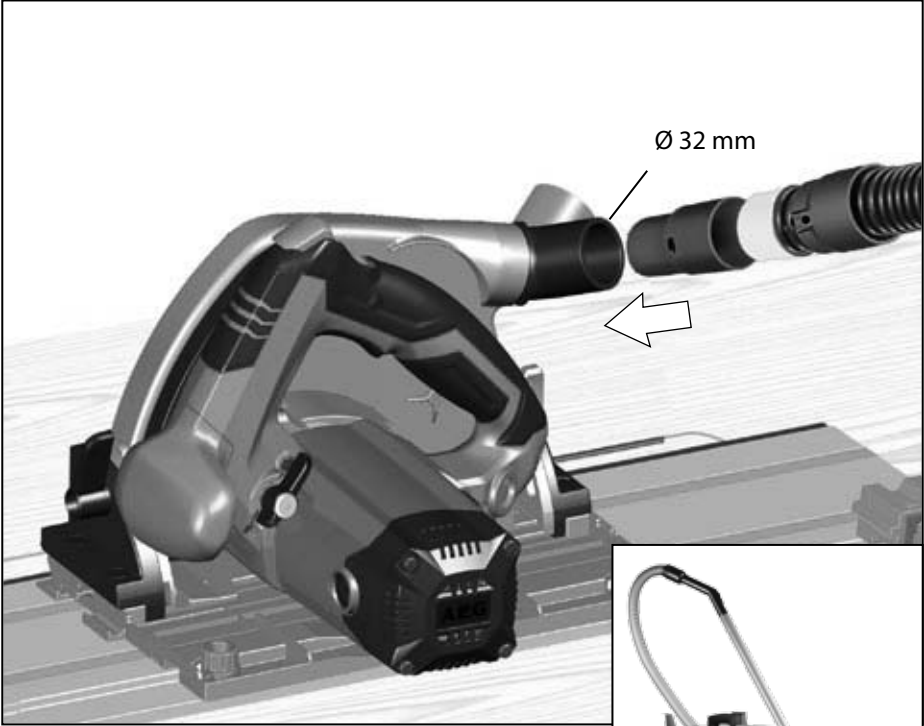
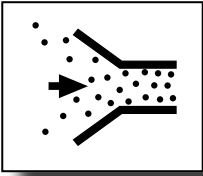
Accessory
Zubehör
Accessoire
Accessorio
Accessório
Toebehoren
Tilbehør

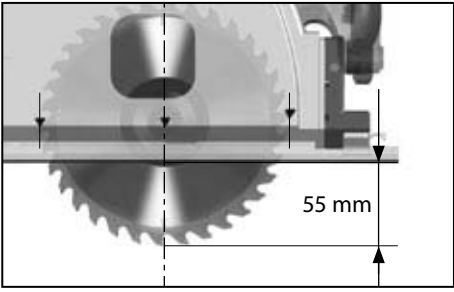
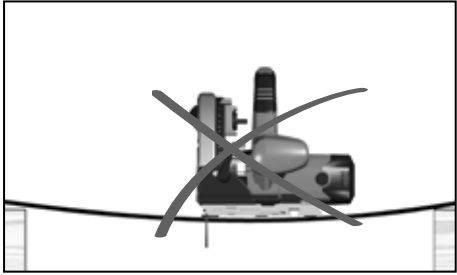
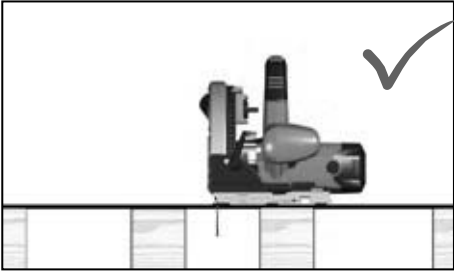
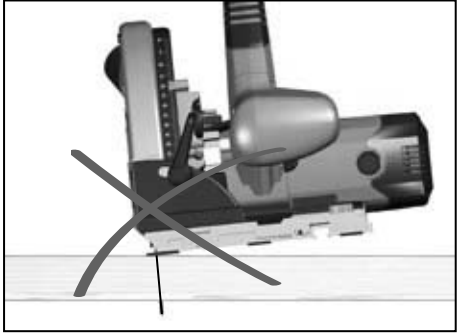
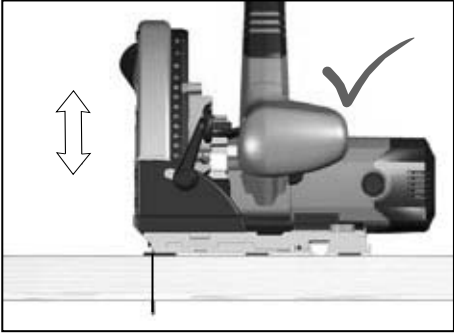
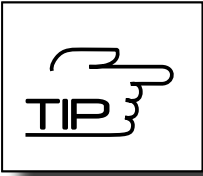
Tilbehør
Tillbehör
Lisälaite
Εξαρτήματα
Aksesuar
Příslušenství
Příslušenstvo
Element

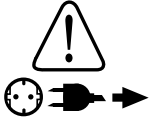
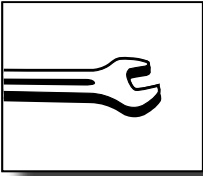
wyposażenia
dodatkowego
Tartozék
Oprema
Pribor
Papildus
aprīkojums
Priedas

Tarvikud
Дополнитель
Акcesoар
Ассесории
Додатоци
配件

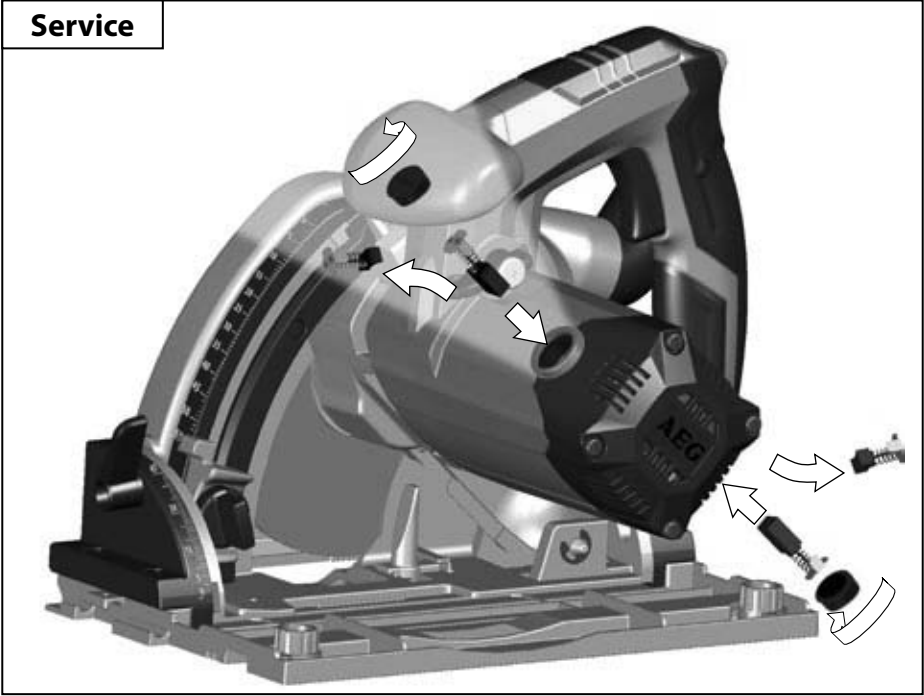








Service



TS 55 E

Rated input.....	1500 W
No-load speed.....	5500 min ⁻¹
Saw blade dia. x hole dia	160 x 20 mm
Cutting depth at 45°.....	39 mm
Cutting depth at 90°.....	55 mm
Weight without cable.....	5,4 kg

Noise/Vibration Information

Measured values determined according to EN 60 745.
 Typically, the A-weighted noise levels of the tool are:
 Sound pressure level (K = 3 dB(A)) 93 dB (A)
 Sound power level (K = 3 dB(A))..... 104 dB (A)
Wear ear protectors!

Total vibration values (vector sum in the three axes) determined according to EN 60745.
 Vibration emission value a_h 4,7 m/s²
 Uncertainty K = 1,5 m/s²

WARNING

The vibration emission level given in this information sheet has been measured in accordance with a standardised test given in EN 60 745 and may be used to compare one tool with another. It may be used for a preliminary assessment of exposure.
 The declared vibration emission level represents the main applications of the tool. However if the tool is used for different applications, with different accessories or poorly maintained, the vibration emission may differ. This may significantly increase the exposure level over the total working period.
 An estimation of the level of exposure to vibration should also take into account the times when the tool is switched off or when it is running but not actually doing the job. This may significantly reduce the exposure level over the total working period.
 Identify additional safety measures to protect the operator from the effects of vibration such as: maintain the tool and the accessories, keep the hands warm, organisation of work patterns.



 **WARNING!**

Read all safety warnings and all instructions, including those given in the accompanying brochure. Failure to follow the warnings and instructions may result in electric shock, fire and/or serious injury. **Save all warnings and instructions for future reference.**

SAFETY INSTRUCTIONS

 **Danger:**

Keep hands away from cutting area and the blade. Keep your second hand on auxiliary handle, or motor housing. If both hands are holding the saw, they cannot be cut by the blade.

Do not reach underneath the workpiece. The guard cannot protect you from the blade below the workpiece.

Adjust the cutting depth to the thickness of the workpiece. Less than a full tooth of the blade teeth should be visible below the workpiece.

Never hold piece being cut in your hands or across your leg. Secure the workpiece to a stable platform. It is important to support the work properly to minimize body exposure, blade binding, or loss of control.

Hold power tool by insulated gripping surfaces when performing an operation where the cutting accessory may contact hidden wiring or its own cord. Cutting accessory contacting a „live“ wire may make exposed metal parts of the power tool „live“ and could give the operator an electric shock.

When ripping always use a rip fence or straight edge guide.

This improves the accuracy of cut and reduces the chance of blade binding.

Always use blades with correct size and shape (diamond versus round) of arbour holes. Blades that do not match the mounting hardware of the saw will run eccentrically, causing loss of control.

Never use damaged or incorrect blade washers or bolt. The blade washers and bolt were specially designed for your saw, for optimum performance and safety of operation.

Causes and operator prevention of kickback:

- kickback is a sudden reaction to a pinched, bound or misaligned saw blade, causing an uncontrolled saw to lift up and out of the workpiece toward the operator;
- when the blade is pinched or bound tightly by the kerf closing down, the blade stalls and the motor reaction drives the unit rapidly back toward the operator;
- if the blade becomes twisted or misaligned in the cut, the teeth at the back edge of the blade can dig into the top surface of the wood causing the blade to climb out of the kerf and jump back toward the operator.

Kickback is the result of saw misuse and/or incorrect operating procedures or conditions and can be avoided by taking proper precautions as given below.

Maintain a firm grip with both hands on the saw and position your arms to resist kickback forces. Position your body to either side of the blade, but not in line with the blade.

Kickback could cause the saw to jump backwards, but kickback forces can be controlled by the operator, if proper precautions are taken.

When blade is binding, or when interrupting a cut for any reason, release the trigger and hold the saw motionless in the material until the blade comes to a complete stop. Never attempt to remove the saw from the work or pull the saw backward while the blade is in motion or kickback may occur. Investigate and take corrective actions to eliminate the cause of blade binding.

When restarting a saw in the workpiece, centre the saw blade in the kerf and check that saw teeth are not engaged into the material. If saw blade is binding, it may walk up or kickback from the workpiece as the saw is restarted.

Support large panels to minimise the risk of blade pinching and kickback. Large panels tend to sag under their own weight. Supports must be placed under the panel on both sides, near the line of cut and near the edge of the panel.

Do not use dull or damaged blades. Unsharpened or improperly set blades produce narrow kerf causing excessive friction, blade binding and kickback.

Blade depth and bevel adjusting locking levers must be tight and secure before making cut. If blade adjustment shifts while cutting, it may cause binding and kickback.

Use extra caution when making a „plunge cut“ into existing walls or other blind areas. The protruding blade may cut objects that can cause kickback.

Function of the guard

Check guard for proper closing before each use. Do not operate the saw if guard does not move freely and enclose the blade instantly. Never clamp or tie the guard with the blade exposed. If saw is accidentally dropped, guard may be bent. Check to make sure that guard moves freely and does not touch the blade or any other part, in all angles and depths of cut.

Check the operation and condition of the guard return spring. If the guard and the spring are not operating properly, they must be serviced before use. Guard may operate sluggishly due to damaged parts, gummy deposits, or a build-up of debris.

Assure that the guide plate of the saw will not shift while performing the “plunge cut” when the blade bevel setting is not at 90°. Blade shifting sideways will cause binding and likely kick back.

Always observe that the guard is covering the blade before placing saw down on bench or floor. An unprotected, coasting blade will cause the saw to walk backwards, cutting whatever is in its path. Be aware of the time it takes for the blade to stop after switch is released.

Riving knife function

Use the appropriate riving knife for the blade being used. For the riving knife to work, it must be thicker than the body of the blade but thinner than the tooth set of the blade.

Adjust the riving knife as described in this instruction manual. Incorrect spacing, positioning and alignment can make the riving knife ineffective in preventing kickback.

Always use the riving knife, even when „plunge cutting“. The riving knife is being pressed upwards during plunge cutting and springs back automatically into the kerf after plunge cutting when you move the saw forward.

For the riving knife to work, it must be engaged in the workpiece. The riving knife is ineffective in preventing kickback during short cuts.

Do not operate the saw if riving knife is bent. Even a light interference can slow the closing rate of a guard.

Wear ear protectors. Exposure to noise can cause hearing loss.

Use protective equipment. Always wear safety glasses when working with the machine. The use of protective clothing is recommended, such as dust mask, protective gloves, sturdy non-slip footwear, helmet and ear defenders.

The dust produced when using this tool may be harmful to health. Do not inhale the dust. Use a dust absorption system and wear a suitable dust protection mask. Remove deposited dust thoroughly, e.g. with a vacuum cleaner.

Always disconnect the plug from the socket before carrying out any work on the machine.

Only plug-in when machine is switched off.

Keep mains lead clear from working range of the machine. Always lead the cable away behind you.

Before use check machine, cable, and plug for any damages or material fatigue. Repairs should only be carried out by authorised Service Agents.

Do not use inserted tools not corresponding to the key data given in these instructions for use.

Please do not use abrasion disks in this machine!

When sawing aluminium, the following measures must be taken for safety reasons:

- Pre-connect a residual current device (FI, RCD, PRCD).
- Connect the machine to a suitable dust extractor.
- Clean the machine regularly of dust deposits in the motor housing and in the protective cover.
- Aluminium must only be sawed with the special saw blades designed for this purpose.
- When sawing panels, they must be lubricated with petroleum, thin-walled profi les (up to 3 mm) can be sawed without lubrication.



SPECIFIED CONDITIONS OF USE

The plungecut circular saw can be used for sawing solid wood, bonded wood, glued veneer, materials similar to wood, plaster and cement-bonded fibre materials, aluminium profiles, Non-ferrous metals and plastics.

Do not use this product in any other way as stated for normal use.

EC-DECLARATION OF CONFORMITY

We declare under our sole responsibility that this product is in conformity with the following standards or standardized documents. EN 60745, EN 55014-1, EN 55014-2, EN 61000-3-2, EN 61000-3-3, in accordance with the regulations 2006/42/EC, 2004/108/EC



Winnenden, 2010-10-25

Rainer Kumpf
Manager Product Development
Authorized to compile the technical file

MAINS CONNECTION



Connect only to single-phase AC current and only to the system voltage indicated on the rating plate. It is also possible to connect to sockets without an earthing contact as the design conforms to safety class II.

MAINTENANCE

The ventilation slots of the machine must be kept clear at all times.

Clean only with dry cloth. Certain cleaning agents and solvents are harmful to plastics and other insulated parts. Keep the apparatus handle clean, dry and free of oil or grease.

Use only AEG accessories and spare parts. Should components need to be replaced which have not been described, please contact one of our AEG service agents (see our list of guarantee/service addresses). If needed, an exploded view of the tool can be ordered. Please state the Article No. as well as the machine type printed on the label and order the drawing at your local service agents or directly at: AEG Elektrowerkzeuge, Max-Eyth-Straße 10, D-71364 Winnenden, Germany.

SYMBOLS



Please read the instructions carefully before starting the machine.



CAUTION! WARNING! DANGER!



The dust produced when using this tool may be harmful to health. Do not inhale the dust. Wear a suitable dust protection mask.



Always wear goggles when using the machine.



Always disconnect the plug from the socket before carrying out any work on the machine.



Accessory - Not included in standard equipment, available as an accessory.



Solid wood (hard, soft), chipboards and hard fibre boards, laminated wood, blockboards, veneered and coated boards



Plastics, fibre-reinforced plastics paper and fabric acrylic glass



Plaster and cement-bonded fibre boards



Aluminium panels and profiles up to 15 mm



Do not dispose of electric tools together with household waste material! In observance of European Directive 2002/96/EC on waste electrical and electronic equipment and its implementation in accordance with national law, electric tools that have reached the end of their life must be collected separately and returned to an environmentally compatible recycling facility.



TS 55 E

Nennaufnahmeleistung	1500 W
Leerlaufdrehzahl	5500 min ⁻¹
Sägeblatt-ø x Bohrungs-ø	160 x 20 mm
Schnitttiefe bei 45°	39 mm
Schnitttiefe bei 90°	55 mm
Gewicht ohne Netzkabel	5,4 kg

Geräusch/Vibrationsinformation

Messwerte ermittelt entsprechend EN 60 745.

Der A-bewertete Geräuschpegel des Gerätes beträgt typischerweise:

Schalldruckpegel (K = 3 dB(A)) 93 dB (A)

Schalleistungspegel (K = 3 dB(A)) 104 dB (A)

Gehörschutz tragen!

Schwingungsgesamtwerte (Vektorsumme dreier Richtungen) ermittelt entsprechend EN 60745.

Schwingungsemissionswert a_h 4,7 m/s²

Unsicherheit K = 1,5 m/s²



WARNUNG

Der in diesen Anweisungen angegebene Schwingungspegel ist entsprechend einem in EN 60745 genormten Messverfahren gemessen worden und kann für den Vergleich von Elektrowerkzeugen miteinander verwendet werden. Er eignet sich auch für eine vorläufige Einschätzung der Schwingungsbelastung.

Der angegebene Schwingungspegel repräsentiert die hauptsächlichen Anwendungen des Elektrowerkzeugs. Wenn allerdings das Elektrowerkzeug für andere Anwendungen, mit abweichenden Einsatzwerkzeugen oder ungenügender Wartung eingesetzt wird, kann der Schwingungspegel abweichen. Dies kann die Schwingungsbelastung über den gesamten Arbeitszeitraum deutlich erhöhen.

Für eine genaue Abschätzung der Schwingungsbelastung sollten auch die Zeiten berücksichtigt werden, in denen das Gerät abgeschaltet ist oder zwar läuft, aber nicht tatsächlich im Einsatz ist. Dies kann die Schwingungsbelastung über den gesamten Arbeitszeitraum deutlich reduzieren.

Legen Sie zusätzliche Sicherheitsmaßnahmen zum Schutz des Bedieners vor der Wirkung von Schwingungen fest wie zum Beispiel: Wartung von Elektrowerkzeug und Einsatzwerkzeugen, Warmhalten der Hände, Organisation der Arbeitsabläufe.

⚠️ WARNUNG!

Lesen Sie alle Sicherheitshinweise und Anweisungen, auch die in der beiliegenden Broschüre. Versäumnisse bei der Einhaltung der Sicherheitshinweise und Anweisungen können elektrischen Schlag, Brand und/oder schwere Verletzungen verursachen.

Bewahren Sie alle Sicherheitshinweise und Anweisungen für die Zukunft auf.

SPEZIELLE SICHERHEITSHINWEISE

⚠️ Gefahr:

Kommen Sie mit Ihren Händen nicht in den Sägebereich und an das Sägeblatt. Halten Sie mit Ihrer zweiten Hand den Zusatzgriff oder das Motorgehäuse. Wenn beide Hände die Kreissäge halten, kann das Sägeblatt diese nicht verletzen.

Greifen Sie nicht unter das Werkstück. Die Schutzhaube kann Sie unter dem Werkstück nicht vor dem Sägeblatt schützen.

Passen Sie die Schnitttiefe an die Dicke des Werkstücks an. Es sollte weniger als eine volle Zahnhöhe unter dem Werkstück sichtbar sein.

Halten Sie das zu sägende Werkstück niemals in der Hand oder über dem Bein fest. Sichern Sie das Werkstück an einer

stabilen Unterlage. Es ist wichtig, das Werkstück gut zu befestigen, um die Gefahr von Körperkontakt, Klemmen des Sägeblattes oder Verlust der Kontrolle zu minimieren.

Halten Sie das Gerät an den isolierten Griffflächen, wenn Sie Arbeiten ausführen, bei denen das Einsatzwerkzeug verborgene Stromleitungen oder das eigene Gerätekabel treffen kann. Der Kontakt des Einsatzwerkzeuges mit einer spannungsführenden Leitung könnte die metallenen Geräteteile unter Spannung setzen und zu einem elektrischen Schlag führen.

Verwenden Sie beim Längsschneiden immer einen Anschlag oder eine gerade Kantenführung. Dies verbessert die Schnittgenauigkeit und verringert die Möglichkeit, dass das Sägeblatt klemmt.

Verwenden Sie immer Sägeblätter in der richtigen Größe und mit passender Aufnahmebohrung (z.B. sternförmig oder rund). Sägeblätter, die nicht zu den Montageteilen der Säge passen, laufen unrund und führen zum Verlust der Kontrolle.

Verwenden Sie niemals beschädigte oder falsche Sägeblatt-Unterlegscheiben oder -schrauben. Die Sägeblatt-Unterlegscheiben und -schrauben wurden speziell für Ihre Säge konstruiert, für optimale Leistung und Betriebssicherheit.

Ursachen und Vermeidung eines Rückschlags:

– ein Rückschlag ist die plötzliche Reaktion infolge eines hakenden, klemmenden oder falsch ausgerichteten Sägeblattes, die dazu führt, dass eine unkontrollierte Säge abhebt und sich aus dem Werkstück heraus in Richtung der Bedienperson bewegt;

– wenn sich das Sägeblatt in dem sich schließenden Sägespalt verhakt oder verklemmt, blockiert es, und die Motorkraft schlägt das Gerät in Richtung der Bedienperson zurück;

– wird das Sägeblatt im Sägeschnitt verdreht oder falsch ausgerichtet, können sich die Zähne der hinteren Sägeblattkante in der Oberfläche des Werkstücks verhaken, wodurch sich das Sägeblatt aus dem Sägespalt herausbewegt und die Säge in Richtung der Bedienperson zurückspringt.

Ein Rückschlag ist die Folge eines falschen oder fehlerhaften Gebrauchs der Säge. Er kann durch geeignete Vorsichtsmaßnahmen, wie nachfolgend beschrieben, verhindert werden.

Halten Sie die Säge mit beiden Händen fest und bringen Sie Ihre Arme in eine Stellung, in der Sie den Rückschlagkräften standhalten können. Halten Sie sich immer seitlich des Sägeblattes, nie das Sägeblatt in eine Linie mit Ihrem Körper bringen. Bei einem Rückschlag kann die Kreissäge rückwärts springen, jedoch kann die Bedienperson die Rückschlagkräfte beherrschen, wenn geeignete Maßnahmen getroffen wurden.

Falls das Sägeblatt klemmt oder das Sägen aus einem anderen Grund unterbrochen wird, lassen Sie den Ein-Aus-Schalter los und halten Sie die Säge im Werkstoff ruhig, bis das Sägeblatt vollständig stillsteht. Versuchen Sie niemals, die Säge aus dem Werkstück zu entfernen oder sie rückwärts zu ziehen, solange das Sägeblatt sich bewegt oder sich ein Rückschlag ereignen könnte. Finden Sie die Ursache für das Klemmen des Sägeblattes und beseitigen Sie diese durch geeignete Maßnahmen.

Wenn Sie eine Säge, die im Werkstück steckt, wieder starten wollen, zentrieren Sie das Sägeblatt im Sägespalt und überprüfen Sie, ob die Sägezähne nicht im Werkstück verhakt sind. Klemmt das Sägeblatt, kann es sich aus dem Werkstück heraus bewegen oder einen Rückschlag verursachen, wenn die Säge erneut gestartet wird.

Stützen Sie große Platten ab, um das Risiko eines Rückschlags durch ein klemmendes Sägeblatt zu vermindern. Große Platten können sich unter ihrem Eigengewicht durchbiegen. Platten müssen auf beiden Seiten, sowohl in Nähe des Sägespalts als auch am Rand, abgestützt werden.

Verwenden Sie keine stumpfen oder beschädigten Sägeblätter. Sägeblätter mit stumpfen oder falsch ausgerichteten Zähnen verursachen durch einen zu engen Sägespalt eine erhöhte Reibung, Klemmen des Sägeblattes und Rückschlag.

Ziehen Sie vor dem Sägen die Schnitttiefen- und Schnittwinkleinstellungen fest. Wenn sich während des Sägens die Einstellungen verändern, kann sich das Sägeblatt verklemmen und ein Rückschlag auftreten.

Seien Sie besonders vorsichtig, wenn Sie einen „Tauschnschnitt“ in einen verborgenen Bereich, z. B. eine bestehende Wand, ausführen. Das eintauchende Sägeblatt kann beim Sägen in verborgene Objekte blockieren und einen Rückschlag verursachen.

Funktion der Schutzhaube

Überprüfen Sie vor jeder Benutzung, ob die Schutzhaube einwandfrei schließt. Verwenden Sie die Säge nicht, wenn die Schutzhaube nicht frei beweglich ist und sich nicht sofort schließt. Klemmen oder binden Sie die untere Schutzhaube niemals in geöffneter Position fest. Sollte die Säge unbeabsichtigt zu Boden fallen, kann die untere Schutzhaube verbogen werden. Stellen Sie sicher, dass die Schutzhaube sich frei bewegt und bei allen Schnittwinkeln und -tiefen weder Sägeblatt noch andere Teile berührt.

Überprüfen Sie Zustand und Funktion der Feder für die Schutzhaube. Lassen Sie das Gerät vor dem Gebrauch warten, wenn Schutzhaube und Feder nicht einwandfrei arbeiten. Beschädigte Teile, klebrige Ablagerungen oder Anhäufungen von Spänen lassen die untere Schutzhaube verzögert arbeiten.

Sichern Sie beim „Tauschnschnitt“, der nicht rechtwinklig ausgeführt wird, die Führungsplatte der Säge gegen seitliches Verschieben. Ein seitliches Verschieben kann zum Klemmen des Sägeblattes und damit zum Rückschlag führen.

Legen Sie die Säge nicht auf der Werkbank oder dem Boden ab, ohne dass die Schutzhaube das Sägeblatt bedeckt. Ein ungeschütztes, nachlaufendes Sägeblatt bewegt die Säge entgegen der Schnittrichtung und sägt, was ihm im Weg ist. Beachten Sie dabei die Nachlaufzeit der Säge.

Funktion des Spaltkeils

Verwenden Sie den für das eingesetzte Sägeblatt passenden Spaltkeil. Der Spaltkeil muss stärker als die Stammblattdicke des Sägeblattes, aber dünner als die Zahnbreite des Sägeblattes sein.

Justieren Sie den Spaltkeil wie in der Bedienungsanleitung beschrieben. Falsche Stärke, Position und Ausrichtung können der Grund dafür sein, dass der Spaltkeil einen Rückschlag nicht wirksam verhindert.

Verwenden Sie immer den Spaltkeil, auch bei „Tauschnschnitten“. Der Spaltkeil wird beim Eintauchen nach oben gedrückt, und federt nach dem Eintauchen beim Vorschieben der Kreissäge selbstständig in den Sägespalt.

Damit der Spaltkeil wirken kann, muss er sich im Sägespalt befinden. Bei kurzen Schnitten ist der Spaltkeil unwirksam um einen Rückschlag zu verhindern.

Betreiben Sie die Säge nicht mit verbogenem Spaltkeil. Bereits eine geringe Störung kann das Schließen der Schutzhaube verlangsamen.

Tragen Sie Gehörschutz. Die Einwirkung von Lärm kann Hörverlust bewirken.

Schutzausrüstung verwenden. Beim Arbeiten mit der Maschine stets Schutzbrille tragen. Schutzkleidung wie Staubschutzmaske, Schutzhandschuhe, festes und rutschsicheres Schuhwerk, Helm und Gehörschutz werden empfohlen.

Beim Arbeiten entstehender Staub ist oft gesundheitsschädlich und sollte nicht in den Körper gelangen. Staubabsaugung verwenden und zusätzlich geeignete Staubschutzmaske tragen. Abgelagerten Staub gründlich entfernen, z.B. Aufsaugen.

Vor allen Arbeiten an der Maschine Stecker aus der Steckdose ziehen. Maschine nur ausgeschaltet an die Steckdose anschließen.



Anschlusskabel stets vom Wirkungsbereich der Maschine fernhalten. Kabel immer nach hinten von der Maschine wegführen.

Vor jedem Gebrauch Gerät, Anschlusskabel, Verlängerungskabel und Stecker auf Beschädigung und Alterung kontrollieren. Beschädigte Teile nur von einem Fachmann reparieren lassen.

Einsatzwerkzeuge, die nicht den Kenndaten in dieser Gebrauchsanweisung entsprechen, dürfen nicht verwendet werden.

Bitte keine Schleifscheiben einsetzen!

Bei der Bearbeitung von Aluminium sind aus Sicherheitsgründen folgende Maßnahmen einzuhalten:

- Schalten Sie einen Fehlerstrom-Schutzschalter (FI, RCD, PRCD) vor.
- Maschine an ein geeignetes Absauggerät anschließen.
- Maschine regelmäßig von Staubablagerungen im Motorgehäuse und in der Schutzhaube reinigen.
- Aluminium darf nur mit dafür vorgesehenen Spezialsägeblättern gesägt werden.
- Beim Sägen von Platten muss mit Petroleum geschmiert werden, dünnwandige Profile (bis 3 mm) können ohne Schmierung bearbeitet werden.



BESTIMMUNGSGEMÄSSE VERWENDUNG

Die Tauchsäge ist einsetzbar zum Sägen von Massivhölzern, verleimten Hölzern, holzähnlichen Werkstoffen, gips- und zementgebundenen Faserstoffen, Aluminiumprofile, Nichteisenmetalle und Kunststoffen.

Dieses Gerät darf nur wie angegeben bestimmungsgemäß verwendet werden.

CE-KONFORMITÄTSERKLÄRUNG

Wir erklären in alleiniger Verantwortung, dass dieses Produkt mit den folgenden Normen oder normativen Dokumenten übereinstimmt. EN 60745, EN 55014-1, EN 55014-2, EN 61000-3-2, EN 61000-3-3, gemäß den Bestimmungen der Richtlinien 2006/42/EG, 2004/108/EG.



Winnenden, 2010-10-25

Rainer Kumpf
Manager Product Development
Bevollmächtigt die technischen Unterlagen
zusammenzustellen.

NETZANSCHLUSS



Nur an Einphasen-Wechselstrom und nur an die auf dem Leistungsschild angegebene Netzspannung anschließen. Anschluss ist auch an Steckdosen ohne Schutzkontakt möglich, da ein Aufbau der Schutzklasse II vorliegt.

WARTUNG

Stets die Lüftungsschlitze der Maschine sauber halten.

Nur mit einem trockenen Tuch reinigen. Manche Reinigungsmittel beschädigen Kunststoff oder andere isolierte Teile. Das Gerät sauber und trocken halten, frei von Öl und Fett.

Nur AEG Zubehör und Ersatzteile verwenden. Bauteile, deren Austausch nicht beschrieben wurde, bei einer AEG Kundendienststelle auswechseln lassen (Broschüre Garantie/Kundendienstadressen beachten).

Bei Bedarf kann eine Explosionszeichnung des Gerätes unter Angabe der Maschinen Type und der zehnstelligen Nummer auf dem Leistungsschild bei Ihrer Kundendienststelle oder direkt bei AEG Elektrowerkzeuge, Max-Eyth-Straße 10, D-71364 Winnenden, Germany angefordert werden.

SYMBOLE



Bitte lesen Sie die Gebrauchsanweisung vor Inbetriebnahme sorgfältig durch.



ACHTUNG! WARNUNG! GEFAHR!



Beim Arbeiten entstehender Staub ist oft gesundheitsschädlich und sollte nicht in den Körper gelangen. Geeignete Staubschutzmaske tragen.



Beim Arbeiten mit der Maschine stets Schutzbrille tragen.



Vor allen Arbeiten an der Maschine Stecker aus der Steckdose ziehen.



Zubehör - Im Lieferumfang nicht enthalten, empfohlene Ergänzung aus dem Zubehörprogramm.



Vollholz (hart, weich), Span- und Hartfaserplatten, Schichtholz, Tischlerplatten, furnierte und beschichtete Platten



Kunststoffe, faserverstärkte Kunststoffe (GfK), Papier und Gewebe, Acrylglas



Gips- und zementgebundene Faserplatten



Aluminiumplatten und -profile bis 15 mm



Werfen Sie Elektrowerkzeuge nicht in den Hausmüll! Gemäss Europäischer Richtlinie 2002/96/EG über Elektro- und Elektronik- Altgeräte und Umsetzung in nationales Recht müssen verbrauchte Elektrowerkzeuge getrennt gesammelt und einer umweltgerechten Wiederverwertung zugeführt werden.

TS 55 E

Puissance nominale de réception.....	1500 W
Vitesse de rotation à vide.....	5500 min ⁻¹
Ø de la lame de scie et de son alésage.....	160 x 20 mm
Profondeur de coupe à 45°.....	39 mm
Profondeur de coupe à 90°.....	55 mm
Poids sans câble de réseau.....	5,4 kg

Informations sur le bruit et les vibrations

Valeurs de mesure obtenues conformément à la EN 60745.
 Les mesures réelles (A) des niveaux acoustiques de l'appareil sont :
 Niveau de pression acoustique (K = 3 dB(A))..... 93 dB (A)
 Niveau d'intensité acoustique (K = 3 dB(A))..... 104 dB (A)

Toujours porter une protection acoustique!

Valeurs totales des vibrations (somme vectorielle de trois sens) établies conformément à EN 60745.
 Valeur d'émission vibratoire a_h..... 4,7 m/s²
 Incertitude K = 1,5 m/s²


AVERTISSEMENT

Le niveau vibratoire indiqué dans ces instructions a été mesuré selon un procédé de mesure normalisé dans la norme EN 60745 et peut être utilisé pour comparer des outils électriques entre eux. Il convient aussi à une estimation provisoire de la sollicitation par les vibrations.

Le niveau vibratoire indiqué représente les applications principales de l'outil électrique. Toutefois, si l'outil électrique est utilisé pour d'autres applications, avec des outils rapportés qui diffèrent ou une maintenance insuffisante, il se peut que le niveau vibratoire diverge. Cela peut augmenter nettement la sollicitation par les vibrations sur tout l'intervalle de temps du travail.


Pour une estimation précise de la sollicitation par les vibrations, on devrait également tenir compte des temps pendant lesquels l'appareil n'est pas en marche ou tourne sans être réellement en service. Cela peut réduire nettement la sollicitation par les vibrations sur tout l'intervalle de temps du travail.

Définissez des mesures de sécurité supplémentaires pour protéger l'utilisateur contre l'influence des vibrations, comme par exemple : la maintenance de l'outil électrique et des outils rapportés, le maintien au chaud des mains, l'organisation des déroulements de travail.

 **AVERTISSEMENT! Lisez toutes les consignes de sécurité et les instructions, même celles qui se trouvent dans la brochure ci-jointe.** Le non-respect des avertissements et instructions indiqués ci après peut entraîner un choc électrique, un incendie et/ou de graves blessures sur les personnes.

Bien garder tous les avertissements et instructions.

INSTRUCTIONS DE SÉCURITÉ PARTICULIÈRES

 **DANGER Bien garder les mains à distance de la zone de sciage et de la lame de scie. Tenir la poignée supplémentaire ou le carter du moteur de l'autre main.** Si vous tenez la scie circulaire des deux mains, celles-ci ne peuvent pas être blessées par la lame de scie.

Ne pas passer les mains sous la pièce à travailler. Sous la pièce à travailler, le capot de protection ne peut pas vous protéger de la lame de scie.

Adapter la profondeur de coupe à l'épaisseur de la pièce. Moins d'une dent complète devrait apparaître sous la pièce.

Ne jamais tenir la pièce à scier dans la main ou par-dessus la jambe. Fixer la pièce sur un support stable. Il est important de bien fixer la pièce, afin de réduire au minimum les dangers causés par le contact physique, quand la lame de scie se coince ou lorsqu'on perd le contrôle.

Maintenez l'appareil par les surfaces de poignée isolées lorsque vous exécutez des travaux pendant lesquels l'outil de coupe peut toucher des lignes électriques dissimulées ou le propre câble. Le contact de l'outil de coupe avec un câble qui conduit la tension peut mettre les pièces métalliques de l'appareil sous tension et mener à une décharge électrique.

Toujours utiliser une butée ou un guidage droit de bords pour des coupes longitudinales. Ceci améliore la précision de la coupe et réduit le danger de voir la lame de scie se coincer.

Toujours utiliser des lames de scie de la bonne taille qui ont une forme appropriée à l'alésage de fixation (par ex. en étoile ou rond). Les lames de scie qui ne conviennent pas aux parties montées de la scie sont comme voilées et entraînent une perte de contrôle.

Ne jamais utiliser de rondelles ou de vis endommagées ou qui ne conviennent pas à la lame de scie. Les rondelles et vis pour la lame de scie ont spécialement été construites pour votre scie, pour une performance et une sécurité de fonctionnement optimales.

Causes de contrecoups et comment les éviter:

- un contrecoup est une réaction soudaine d'une lame de scie qui est restée accrochée, qui s'est coincée ou qui est mal orientée qui fait que la scie incontrôlée sort de la pièce à travailler et se dirige vers la personne travaillant avec l'appareil;
- si la lame de scie reste accrochée ou se coince dans la fente sciée qui se ferme, elle se bloque et la force du moteur entraîne l'appareil vers la personne travaillant avec l'appareil;
- si la lame de scie est tordue ou mal orientée dans le tracé de la coupe, les dents du bord arrière de la lame de scie risquent de se coincer dans la surface de la pièce, ce qui fait que la lame de scie saute brusquement de la fente et qu'elle est propulsée vers l'arrière où se trouve la personne travaillant avec l'appareil.

Un contrecoup est la suite d'une mauvaise utilisation ou une utilisation incorrecte de la scie. Il peut être évité en prenant les mesures de précaution comme elles sont décrites ci-dessous.



Bien tenir la scie des deux mains et mettre vos bras dans une position vous permettant de résister à des forces de contrecoup. Toujours positionner votre corps latéralement à la lame de scie, ne jamais positionner la lame de scie de façon qu'elle fasse une ligne avec votre corps. Lors d'un contrecoup, la scie circulaire risque d'être propulsée vers l'arrière, la personne travaillant avec l'appareil peut cependant contrôler les forces de contrecoup, quand des mesures appropriées ont été prises au préalable.

Si la lame de scie se coince ou que l'opération de sciage est interrompue pour une raison quelconque, lâcher l'interrupteur Marche/ Arrêt et tenir la scie dans la pièce sans bouger, jusqu'à ce que la lame de scie se soit complètement arrêtée. Ne jamais essayer de sortir la pièce ou de la tirer vers l'arrière tant que la lame de scie bouge ou qu'un contrecoup pourrait se produire. Déterminer la cause pour laquelle la scie s'est coincée et en remédier au problème.

Si une scie qui s'est bloquée dans une pièce, doit être remise en marche, centrer la lame de scie dans la fente et contrôler que les dents de la scie ne soient pas restées accrochées dans la pièce. Si la lame de scie est coincée, elle peut sortir de la pièce ou causer un contrecoup quand la scie est remise en marche.

Soutenir des grands panneaux afin d'éliminer le risque d'un contrecoup causé par une lame de scie coincée. Les grands panneaux risquent de s'arquer sous leur propre poids. Les panneaux doivent être soutenus des deux côtés par des supports, près de la fente de scie ainsi qu'aux bords des panneaux.

Ne pas utiliser de lames de scie émoussées ou endommagées. Les lames de scie dont les dents sont émoussées ou mal orientées entraînent une fente trop étroite et par conséquent une friction élevée, un coinçage de la lame de scie et un contrecoup.

Resserrer les réglages de la profondeur de coupe ainsi que de l'angle de coupe avant le sciage. La lame de scie risque de se coincer et un contrecoup de se produire si les réglages se modifient lors de l'opération de sciage.

Faire preuve d'une prudence particulière lorsqu'une „coupe en plongée“ est effectuée dans un endroit caché, par ex. un mur. Lors du sciage, la lame de scie plongeante risque de scier des objets cachés et de causer un contrecoup.

Fonction du capot de protection

Contrôler avant chaque utilisation que le capot de protection ferme parfaitement. Ne pas utiliser la scie quand le capot de protection ne peut pas librement bouger et ne se ferme pas tout de suite. Ne jamais coincer ou attacher le capot inférieur de protection dans le but de la laisser dans sa position ouverte. Si, par mégarde, la scie tombe par terre, le capot inférieur de protection risque d'être déformé. S'assurer que le capot de protection bouge librement et ne touche ni la lame de scie ni d'autres éléments de l'appareil, et ceci pour tous les angles de coupe ainsi que pour toutes les profondeurs de coupe.

Contrôler le parfait état ainsi que le bon fonctionnement du ressort du capot de protection. Faire effectuer un entretien de l'appareil avant de l'utiliser, si le capot de protection et le ressort ne travaillent pas parfaitement. Les parties endommagées, des restes de colle ou des accumulations de copeaux font que le capot inférieur de protection travaille plus lentement.

Lors d'une « coupe en plongée » qui n'est pas effectuée de façon perpendiculaire, s'assurer que la plaque de base ne bouge pas. Un déplacement latéral peut entraîner un coinçage de la lame de scie et donc un contrecoup.

Ne pas placer la scie sur l'établi ou le sol sans que le capot de protection couvre la lame de scie. Une lame de scie non protégée et qui n'est pas encore à l'arrêt total fait bouger la scie dans le sens contraire à la direction de coupe et scie tout ce qui est sur son chemin. Tenir compte du temps de ralentissement de la scie.

Fonction du guide-lame

Ajuster le coin à refendre approprié à la lame de scie montée. Le coin à refendre doit être plus large que l'épaisseur de la lame, mais plus fin que la largeur de la dent de la lame de scie.

Régler le coin à refendre conformément à la description se trouvant dans les instructions d'utilisation. Une mauvaise largeur, une mauvaise position et une mauvaise direction peuvent être la raison pour laquelle le coin à refendre n'empêche pas de façon effective un contrecoup.

Utilisez toujours le guide-lame, même pour les „coupes plongeantes“. Le guide-lame doit être inséré en exerçant une poussée vers le haut et il se met ensuite sur ressort après insertion par une avance automatique de la scie circulaire dans la fente de la scie.

Le coin à refendre doit être positionné dans la fente pour qu'il puisse être effectif. Pour les coupes courtes le coin à refendre ne peut pas empêcher un contrecoup.

Ne pas travailler avec la scie quand le coin à refendre est déformé. La moindre déformation peut causer un ralentissement de la fermeture du capot de protection.

Portez une protection acoustique. L'influence du bruit peut provoquer la surdité.

Utiliser l'équipement de protection. Toujours porter des lunettes de protection pendant le travail avec la machine. Il est recommandé de porter des articles de protection, tels que masque antipoussière, gants de protection, chaussures tenant bien aux pieds et antidérapantes, casque et protection acoustique.

Les poussières dégagées lors du travail sont souvent nocives (p. ex. lors de travaux effectués sur du bois de chêne ou de hêtre, de la pierre, de la peinture pouvant contenir du plomb ou d'autres substances nocives) et ne devraient pas pénétrer dans le corps. Utiliser un dispositif d'aspiration de poussières et porter en plus un masque de protection approprié. Éliminer soigneusement les dépôts de poussières, p. ex. en les aspirant au moyen d'un système d'aspiration de copeaux.

Avant tous travaux sur la machine extraire la fiche de la prise de courant.

Ne raccorder la machine au réseau que si l'interrupteur est en position arrêté.

Le câble d'alimentation doit toujours se trouver en dehors du champ d'action de la machine. Toujours maintenir le câble d'alimentation à l'arrière de la machine.

Avant toute utilisation, vérifier que la machine, le câble d'alimentation, le câble de rallonge et la fiche ne sont pas endommagés ni usés. Le cas échéant, les faire remplacer par un spécialiste.

Ne pas utiliser de lames de scie qui ne correspondent pas aux caractéristiques indiquées dans ces instructions d'utilisation.



Ne pas utiliser de disques de meulage!

Pour des raisons de sécurité, il convient de respecter les mesures suivantes lors de l'usinage de l'aluminium.

- Branchez en amont un interrupteur de sécurité contre les courants de défaut (FI, RCD, PRCD).
- Branchez la machine à un appareil d'aspiration approprié.
- Nettoyez régulièrement la machine pour supprimer les dépôts de poussière dans le compartiment du moteur et dans le capot de protection.
- L'aluminium doit être scié seulement avec des lames de scie spéciales prévues à cet effet.
- Lors du sciage des panneaux, il convient de lubrifier avec du pétrole; les profilés à paroi mince (jusqu'à 3 mm) peuvent être usinés sans lubrification.

UTILISATION CONFORME AUX PRESCRIPTIONS

La scie circulaire manuelle peut être utilisée pour scier les bois massifs, les bois collés, les matériaux similaires au bois, profilés en aluminium et les matières plastiques.

Comme déjà indiqué, cette machine n'est conçue que pour être utilisée conformément aux prescriptions.

DECLARATION CE DE CONFORMITÉ

Nous déclarons sous notre responsabilité que ce produit est en conformité avec les normes ou documents normalisés suivants EN 60745, EN 55014-1, EN 55014-2, EN 61000-3-2, EN 61000-2-3, conformément aux réglementations 2006/42/CE, 2004/108/CEE



Winnenden, 2010-10-25

Rainer Kumpf
Manager Product Development

Autorisé à compiler la documentation technique.

BRANCHEMENT SECTEUR

Raccorder uniquement à un courant électrique monophasé et uniquement à la tension secteur indiquée sur la plaque signalétique. Le raccordement à des prises de courant sans contact de protection est également possible car la classe de protection II est donnée.

ENTRETIEN

Tenir toujours propres les orifices de ventilation de la machine.

Nettoyer exclusivement avec un chiffon sec. Certains détergents endommagent les matières plastiques ou autres pièces d'isolation. Maintenir l'appareil au propre et au sec, sans huile ni graisse. N'utiliser que des pièces et accessoires AEG. Pour des pièces dont l'échange n'est pas décrit, s'adresser de préférence aux stations de service après-vente AEG (voir brochure Garantie/Adresses des stations de service après-vente).

Si besoin est, une vue éclatée de l'appareil peut être fournie. S'adresser, en indiquant bien le numéro à dix chiffres porté sur la plaque signalétique, à votre station de service après-vente (voir liste jointe) ou directement à AEG Elektrowerkzeuge, Max-Eyth-Straße 10, D-71364 Winnenden, Germany.

SYMBOLES



Veillez lire avec soin le mode d'emploi avant la mise en service



ATTENTION! AVERTISSEMENT! DANGER!



Les poussières qui sont dégagées pendant les travaux sont souvent nocives pour la santé et ne devraient pas pénétrer dans le corps. Porter un masque de protection approprié contre les poussières.



Toujours porter des lunettes protectrices en travaillant avec la machine.



Avant tous travaux sur la machine extraire la fiche de la prise de courant.



Accessoires - Ces pièces ne font pas partie de la livraison. Il s'agit là de compléments recommandés pour votre machine et énumérés dans le catalogue des accessoires.



Bois massif (dur, mou), panneaux d'agglomérés et panneaux en fibres dures, bois lamellé, panneaux de menuiserie, panneaux contreplaqués et enduits.



Matières plastiques, matières plastiques renforcées par des fibres, papier et tissu, verre acrylique



Plaque de placo-plâtre et panneaux de fibres liés au ciment



Panneaux et profilés d'aluminium jusqu'à 15 mm



Ne pas jeter les appareils électriques dans les ordures ménagères ! Conformément à la directive européenne 2002/96/EG relative aux déchets d'équipements électriques ou électroniques (DEEE), et à sa transposition dans la législation nationale, les appareils électriques doivent être collectés à part et être soumis à un recyclage respectueux de l'environnement.



TS 55 E

Potenza assorbita nominale	1500 W
Numero di giri a vuoto	5500 min ⁻¹
Diametro lama x foro lama.....	160 x 20 mm
Profondità di taglio a 45°	39 mm
Profondità di taglio a 90°	55 mm
Peso senza cavo di rete	5,4 kg

Informazioni sulla rumorosità/sulle vibrazioni

Valori misurati conformemente alla norma EN 60 745.

La misurazione A del livello di pressione acustica dell'utensile è di solito di:

Livello di rumorosità (K = 3 dB(A)) 93 dB (A)

Potenza della rumorosità (K = 3 dB(A)) 104 dB (A)

Utilizzare le protezioni per l'udito!

Valori totali delle oscillazioni (somma di vettori in tre direzioni) misurati conformemente alla norma EN 60745

Valore di emissione dell'oscillazione a_w 4,7 m/s²

Incertezza della misura K = 1,5 m/s²

AVVERTENZA

Il livello di vibrazioni indicato nelle presenti istruzioni è stato misurato in conformità con un procedimento di misurazione codificato nella EN 60745 e può essere utilizzato per un confronto tra attrezzi elettrici. Inoltre si può anche utilizzare per una valutazione preliminare della sollecitazione da vibrazioni.

Il livello di vibrazioni indicato rappresenta le applicazioni principali dell'attrezzo elettrico. Se viceversa si utilizza l'attrezzo elettrico per altri scopi, con accessori differenti o con una manutenzione insufficiente, il livello di vibrazioni può risultare diverso. E questo può aumentare decisamente la sollecitazione da vibrazioni lungo l'intero periodo di lavorazione.

Ai fini di una valutazione precisa della sollecitazione da vibrazioni si dovrebbero tenere presente anche i periodi in cui l'apparecchio rimane spento oppure, anche se acceso, non viene effettivamente utilizzato. Ciò può ridurre notevolmente la sollecitazione da vibrazioni lungo l'intero periodo di lavorazione. Stabilite misure di sicurezza supplementari per la tutela dell'operatore dall'effetto delle vibrazioni, come ad esempio: manutenzione dell'attrezzo elettrico e degli accessori, riscaldamento delle mani, organizzazione dei processi di lavoro.

AVVERTENZA! E' necessario leggere tutte le indicazioni di sicurezza e le istruzioni, anche quelle contenute nella brochure allegata. In caso di mancato rispetto delle avvertenze di pericolo e delle istruzioni operative si potrà creare il pericolo di scosse elettriche, incendi e/o incidenti gravi.

Conservare tutte le avvertenze di pericolo e le istruzioni operative per ogni esigenza futura.

NORME DI SICUREZZA**PERICOLO:**

Mai avvicinare le mani alla zona operativa e neppure alla lama di taglio. Utilizzare la seconda mano per afferrare l'impugnatura supplementare oppure la carcassa del motore.

Afferando la sega circolare con entrambe le mani, la lama di taglio non potrà costituire una fonte di pericolo per le stesse.

Mai afferrare con le mani la parte inferiore del pezzo in lavorazione. Nella zona al di sotto del pezzo in lavorazione la calotta di protezione non presenta alcuna protezione contro la lama di taglio.

Adattare la profondità di taglio allo spessore del pezzo in lavorazione. Nella parte inferiore del pezzo in lavorazione dovrebbe essere visibile meno della completa altezza del dente.

Impugnare l'apparecchio sulle superfici di tenuta isolate mentre si eseguono lavori durante i quali l'utensile da taglio potrebbe entrare in contatto con cavi di corrente o con il proprio cavo d'alimentazione. L'eventuale contatto dell'utensile da taglio con un cavo sotto tensione potrebbe mettere sotto tensione le parti metalliche dell'apparecchio e provocare una folgorazione.

In caso di taglio longitudinale utilizzare sempre una battuta oppure una guida angolare dritta. In questo modo è possibile migliorare la precisione del taglio riducendo il pericolo che la lama di taglio possa incepparsi.

Utilizzare sempre lame per segatrice che abbiano la misura corretta ed il foro di montaggio adatto (p.es. a stella oppure rotondo). In caso di lame per segatrice inadatte ai relativi pezzi di montaggio non hanno una rotazione perfettamente circolare e comportano il pericolo di una perdita del controllo.

Mai utilizzare rondelle oppure viti per lama di taglio che non dovessero essere in perfetto stato o che non dovessero essere adatte. Le rondelle e le viti per lama di taglio sono appositamente previste per la Vostra segatrice e sono state realizzate per raggiungere ottimali prestazioni e massima sicurezza di utilizzo.

Possibile causa ed accorgimenti per impedire un contraccolpo:

- Un contraccolpo è la reazione improvvisa provocata da una lama di taglio rimasta agganciata, che si blocca oppure che non è stata regolata correttamente comportando un movimento incontrollato della sega che sbalza dal pezzo in lavorazione e si sposta in direzione dell'operatore.

- Quando la lama di taglio rimane agganciata oppure si inceppa nella fessura di taglio che si restringe, si provoca un blocco e la potenza del motore fa balzare la macchina indietro in direzione dell'operatore;

- Torcendo la lama nella fessura di taglio oppure regolandola in maniera non appropriata vi è il pericolo che i denti del bordo posteriore della lama restano agganciati nella superficie del pezzo

in lavorazione provocando una reazione della lama di taglio che sbalza dalla fessura di taglio e la segatrice salta indietro in direzione dell'operatore.

Un contraccolpo è la conseguenza di un utilizzo non appropriato oppure non corretto della sega. Esso può essere evitato soltanto prendendo misure adatte di sicurezza come dalla descrizione che segue.

Tenere la sega ben ferma afferrandola con entrambe le mani e portare le braccia in una posizione che Vi permetta di resistere bene alla forza di contraccolpi. Tenere sempre una posizione laterale rispetto alla lama di taglio e mai mettere la lama di taglio in una linea con il Vostro corpo. In caso di un contraccolpo la sega circolare può balzare all'indietro; comunque, prendendo delle misure adatte l'operatore può essere in grado di controllare il contraccolpo.

Nel caso in cui la lama di taglio dovesse incepparsi oppure per un qualunque altro motivo l'operazione di taglio con la segatrice dovesse essere interrotta, rilasciare l'interruttore di avvio/arresto e tenere la segatrice in posizione nel materiale fino a quando la lama di taglio non si sarà fermata completamente. Non tentare mai di togliere la segatrice dal pezzo in lavorazione e neppure tirarla all'indietro fintanto che la lama di taglio si muove oppure vi dovesse essere ancora la possibilità di un contraccolpo. Individuare la possibile causa del blocco della lama di taglio ed eliminarla attraverso interventi adatti.

Volendo avviare nuovamente una segatrice che ancora si trova nel pezzo in lavorazione, centrare la lama nella fessura di taglio ed accertarsi che la dentatura della segatrice non sia rimasta agganciata nel pezzo in lavorazione. Una lama di taglio inceppata può balzare fuori dal pezzo in lavorazione oppure provocare un contraccolpo nel momento in cui si avvia nuovamente la segatrice.

Per eliminare il rischio di un contraccolpo dovuto al blocco di una lama di taglio, assicurare bene pannelli di dimensioni maggiori. Pannelli di dimensioni maggiori possono piegarsi sotto il peso proprio. In caso di pannelli è necessario munirli di supporti adatti su entrambi i lati, sia in vicinanza della fessura di taglio che a margine.

Non utilizzare mai lame per segatrice che non siano più affilate oppure il cui stato generale non dovesse essere più perfetto. Lame per segatrice non più affilate oppure deformate implicano un maggiore attrito nella fessura di taglio aumentando il pericolo di blocchi e di contraccolpi della lama di taglio.

Prima di eseguire l'operazione di taglio, determinare la profondità e l'angolatura del taglio. Se durante l'operazione di taglio si modificano le registrazioni è possibile che la lama di taglio si blocchi e che si abbia un contraccolpo.

Si prega di operare con particolare attenzione quando si è in procinto di eseguire un „taglio dal centro“ in una zona nascosta come potrebbe per esempio essere una parete. La lama di taglio che inizia il taglio su oggetti nascosti può bloccarsi e provocare un contraccolpo.

Funzione della cappa protettiva

Prima di ogni intervento operativo accertarsi che la calotta inferiore di protezione chiuda perfettamente. Non utilizzare la segatrice in caso non fosse possibile muovere liberamente la calotta di protezione

e non potesse essere chiusa immediatamente. Mai bloccare oppure legare la calotta di protezione inferiore in posizione aperta. Se la segatrice dovesse accidentalmente cadere a terra è possibile che la calotta di protezione inferiore subisca una deformazione. Accertarsi che la calotta di protezione possa muoversi liberamente e che in ogni profondità ed angolatura di taglio non possa toccare né lama di taglio né nessun altro componente.

Controllare lo stato generale ed il funzionamento della molla per la calotta di protezione. Qualora la calotta di protezione e la molla non dovessero funzionare correttamente, sottoporre la macchina ad un servizio di manutenzione prima di utilizzarla. Componenti danneggiati, depositi di sporcizia appiccicosi oppure accumuli di trucioli comportano una riduzione della funzionalità della calotta inferiore di protezione.

In caso di „taglio dal centro“ non eseguito ad angolo retto assicurare la piastra di guida della segatrice in modo da impedire che possa spostarsi lateralmente. Uno spostamento laterale può implicare un blocco della lama di taglio e quindi la possibilità di un contraccolpo.

Non poggiare la segatrice sul banco di lavoro oppure sul pavimento sotto la calotta di protezione non copre completamente la lama di taglio. Una lama di taglio non protetta ed ancora in fase di arresto sposta la segatrice in senso contrario a quello della direzione di taglio e taglia tutto quello che incontra. Tenere quindi sempre in considerazione la fase di arresto della segatrice.

Funzionamento del cuneo

Utilizzare un cuneo separatore che sia adatto alla lama di taglio impiegata. Lo spessore del cuneo separatore deve essere maggiore dello spessore della lama originale della lama di taglio ma minore della larghezza del dente della lama di taglio.

Regolare il cuneo separatore operando secondo le descrizioni contenute nel Manuale delle istruzioni per l'uso. Uno spessore, una posizione ed un allineamento non conformi possono essere il motivo per cui il cuneo separatore non impedisce efficacemente un contraccolpo.

Utilizzare sempre il cuneo fendilegno, anche per i „tagli ad affondamento“. Durante i tagli ad affondamento, il cuneo fendilegno viene spinto verso l'alto e, dopo l'affondamento nel materiale e con l'avanzare della sega a disco, per mezzo di una molla rientra automaticamente nella fenditura della sega.

Perché il cuneo separatore possa funzionare correttamente è necessario che si trovi nella fessura di taglio. In caso di tagli corti il cuneo separatore resta inefficace ai fini di evitare un contraccolpo.

Mai azionare la segatrice con un cuneo separatore deformato. Una piccola disfunzione può già ridurre il funzionamento della calotta di protezione.

Indossare protezioni acustiche adeguate. L'esposizione prolungata al rumore senza protezione può causare danni all'udito.

Usare dispositivi di protezione. Durante il lavoro con la macchina bisogna sempre portare occhiali di protezione. Si consiglia di indossare indumenti di protezione come maschera antipolvere, guanti di protezione, scarpe antiscivolo robuste, casco e cuffie di protezione acustica.



La polvere provocata durante la lavorazione con questo utensile può essere dannosa alla salute (per es. quando si lavora con legno di quercia o faggio, pietra, vernici, che potrebbero contenere piombo o altre sostanze chimiche) e per questo motivo non devono entrare in contatto con il corpo. Usare un sistema d'aspirazione polvere e indossare una maschera di protezione dalla polvere. Rimuovere i depositi di polvere, per esempio con un aspiratore.

Prima di effettuare qualsiasi lavoro sulla macchina togliere la spina dalla presa di corrente.

Inserire la spina solo con interruttore su posizione „OFF“.

Tenere sempre lontano il cavo di collegamento dall'area di lavoro dell'attrezzo.

Prima di ogni utilizzo controllare che il cavo di alimentazione, eventuali prolunghe e la spina siano integre e senza danni. Eventualmente parti danneggiate devono essere controllate e riparate da un tecnico.

Non utilizzare lame non corrispondenti alle specifiche riportate in queste istruzioni d'uso.

Per favore non utilizzare dischi abrasivi

Durante la lavorazione di alluminio, per motivi di sicurezza devono essere prese le seguenti misure:

- Installare a monte un interruttore di protezione (FI, RCD, PRCD).
- Collegare la macchina ad un idoneo sistema di aspirazione.
- Rimuovere ad intervalli regolari i depositi di polvere dalla scatola del motore e nella cuffia di protezione.
- Tagliare l'alluminio soltanto con le apposite lame speciali.
- Durante il taglio di piastre occorre lubrificare con petrolio, mentre i profilati di spessore sottile (fino 3 mm) potranno essere lavorati senza lubrificazione.

UTILIZZO CONFORME

La sega circolare può essere utilizzata per il taglio di legno massiccio, legno incollato, materiali simili al legno, profili in alluminio, metallo non ferroso e plastica.

Utilizzare il prodotto solo per l'uso per cui è previsto.

DICHIARAZIONE DI CONFORMITÀ CE

Dichiariamo, assumendo la piena responsabilità di tale dichiarazione, che il prodotto è conforme alla seguenti normative e ai relativi documenti: EN 60745, EN 55014-1, EN 55014-2, EN 61000-3-2, EN 61000-3-3, in base alle prescrizioni delle direttive CE 2006/42, CE 2004/108



Winnenden, 2010-10-25

Rainer Kumpf
Manager Product Development
Autorizzato alla preparazione della
documentazione tecnica

COLLEGAMENTO ALLA RETE



Connettere solo corrente alternata mono fase e solo al sistema di voltaggio indicato sulla piastra. E' possibile anche connettere la presa senza un contatto di messa a terra così come prevede lo schema conforme alla norme di sicurezza di classe II.

MANUTENZIONE

Tener sempre ben pulite le fessure di ventilazione dell'apparecchio.

Pulire solo con un panno asciutto. Alcuni agenti detergenti possono danneggiare le plastiche e le parti isolanti. Mantenere la maniglia pulita, asciutta e libera da grassi e olii.

Utilizzare esclusivamente accessori e pezzi di ricambio AEG.

L'installazione di pezzi di ricambio non specificamente prescritti dall'AEG va preferibilmente effettuata dal servizio di assistenza clienti AEG (ved. opuscolo Garanzia/Indirizzi Assistenza tecnica).

In caso di mancanza del disegno esploso, può essere richiesto al seguente indirizzo: AEG Elektrowerkzeuge, Max-Eyth-Straße 10, D-71364 Winnenden, Germany.

SIMBOLI



Leggere attentamente le istruzioni per l'uso prima di mettere in funzione l'elettro utensile.



ATTENZIONE! AVVERTENZA! PERICOLO!



La polvere che si produce durante il lavoro è spesso dannosa per la salute e non dovrebbe essere aspirata. Portare un'adeguata mascherina protettiva.



Durante l'uso dell'apparecchio utilizzare sempre gli occhiali di protezione.



Prima di effettuare qualsiasi lavoro sulla macchina togliere la spina dalla presa di corrente.



Accessorio - Non incluso nella dotazione standard, disponibile a parte come accessorio.



Legno massiccio (duro, morbido), pannelli di masonite e di HDF, legno compensato, pannelli stratificati, pannelli impiallacciati e rivestiti



Materiale sintetico, materiale sintetico rinforzato con fibre (GfK), carta e tessuti, vetro acrilico



Pannelli di fibre legate con gesso e cemento



Pannelli e profilati di alluminio fino a 15 mm



Non gettare le apparecchiature elettriche tra i rifiuti domestici. Secondo la Direttiva Europea 2002/96/CE sui rifiuti di apparecchiature elettriche ed elettroniche e la sua attuazione in conformità alle norme nazionali, le apparecchiature elettriche esauste devono essere accolte separatamente, al fine di essere reimpiegate in modo eco-compatibile.

Italiano

TS 55 E

Potencia de salida nominal	1500 W
Velocidad en vacío.....	5500 min ⁻¹
Disco de sierra - ø x orificio ø	160 x 20 mm
Profundidad de corte a 45°	39 mm
Profundidad de corte a 90°	55 mm
Peso sin cable.....	5,4 kg

Información sobre ruidos / vibraciones

Determinación de los valores de medición según norma EN 60745.

El nivel de ruido típico del aparato determinado con un filtro A corresponde a:

Presión acústica (K = 3 dB(A)).....	93 dB (A)
Resonancia acústica (K = 3 dB(A))	104 dB (A)

Usar protectores auditivos!

Nivel total de vibraciones (suma vectorial de tres direcciones) determinado según EN 60745.

Valor de vibraciones generadas a _w	4,7 m/s ²
Tolerancia K =	1,5 m/s ²

ADVERTENCIA

El nivel vibratorio indicado en estas instrucciones ha sido medido conforme a un método de medición estandarizado en la norma EN 60745, y puede utilizarse para la comparación entre herramientas eléctricas. También es apropiado para una estimación provisional de la carga de vibración.

El nivel vibratorio indicado representa las aplicaciones principales de la herramienta eléctrica. Si, pese a ello, se utiliza la herramienta eléctrica para otras aplicaciones, con útiles adaptables diferentes o con un mantenimiento insuficiente, el nivel vibratorio puede diferir. Esto puede incrementar sensiblemente la carga de vibración durante todo el periodo de trabajo.

Para una estimación exacta de la carga de vibración deberían tenerse en cuenta también los tiempos durante los que el aparato está apagado o, pese a estar en funcionamiento, no está siendo realmente utilizado. Esto puede reducir sustancialmente la carga de vibración durante todo el periodo de trabajo. Adopte medidas de seguridad adicionales para la protección del operador frente al efecto de las vibraciones, como por ejemplo: mantenimiento de la herramienta eléctrica y de los útiles adaptables, mantener las manos calientes, organización de los procesos de trabajo.

⚠ ADVERTENCIA! Rogamos leer las indicaciones de seguridad y las instrucciones, también las que contiene el folleto adjunto. En caso de no atenderse a las advertencias de peligro e instrucciones siguientes, ello puede ocasionar una descarga eléctrica, un incendio y/o lesión grave.

Guardar todas las advertencias de peligro e instrucciones para futuras consultas.

INSTRUCCIONES DE SEGURIDAD**⚠ PELIGRO:**

Mantener las manos alejadas del área de corte y de la hoja de sierra. Sujetar con la otra mano la empuñadura adicional o la carcasa motor. Si la sierra circular se sujeta con ambas manos, éstas no pueden lesionarse con la hoja de sierra.

No tocar por debajo de la pieza de trabajo. La caperuza protectora no le protege del contacto con la hoja de sierra por la parte inferior de la pieza de trabajo.

Adaptar la profundidad de corte al grosor de la pieza de trabajo. La hoja de sierra no deberá sobresalir más de un diente de la pieza de trabajo.

Jamás sujetar la pieza de trabajo con la mano o colocándola sobre sus piernas. Fijar la pieza de trabajo sobre una base de asiento firme. Es importante que la pieza de trabajo quede bien sujeta para reducir el riesgo de accidentarse, a que se atasque la hoja de sierra, o a perder del control sobre el aparato.

Sujete el aparato de las superficies aisladas de agarre al efectuar trabajos en los cuales la perforadora de percusión pueda entrar en contacto con conductores de corriente ocultos o con el propio cable. El contacto de la perforadora de

percusión con un conducto con energía aplicada también podrá poner bajo tensión partes metálicas del aparato y causar un choque eléctrico.

Al realizar cortes longitudinales emplear siempre un tope, o una guía para ángulos rectos. Esto permite un corte más exacto y además reduce el riesgo a que se atasque la hoja de sierra.

Siempre utilizar las hojas de sierra con las dimensiones correctas y el orificio adecuado (p. ej. en forma de estrella o redondo). Las hojas de sierra que no correspondan a los elementos de montaje de ésta, giran excéntricas y pueden hacerle perder el control sobre la sierra.

Jamás emplear arandelas o tornillos de sujeción de la hoja de sierra dañados o incorrectos. Las arandelas y tornillos de sujeción de la hoja de sierra fueron especialmente diseñados para obtener unas prestaciones y seguridad de trabajo máximas.

Causas y prevención contra el rechazo de la sierra:

- El rechazo es una fuerza de reacción brusca que se provoca al engancharse, atascarse o guiarse incorrectamente la hoja de sierra, lo que hace que la sierra se salga de forma incontrolada de la pieza de trabajo y resulte impulsada hacia el usuario;
- Si la hoja de sierra se engancha o atasca al cerrarse la ranura de corte, la hoja de sierra se bloquea y el motor impulsa el aparato hacia el usuario;
- Si la hoja de sierra se gira lateralmente o se desalinea, los dientes de la parte posterior de la hoja de sierra pueden engancharse en la cara superior de la pieza de trabajo haciendo que la hoja de sierra se salga de la ranura de corte, y el aparato salga despedido hacia atrás en dirección al usuario.

**E**

- El rechazo se debe a la utilización inadecuada y/o procedimientos o condiciones de trabajo incorrectos y puede evitarse tomando las precauciones que se detallan a continuación.

Sujetar firmemente la sierra con ambas manos manteniendo los brazos en una posición que le permita oponerse a la fuerza de reacción. Mantener el cuerpo a un lado de la hoja de sierra; jamás colocarse en línea con ella. Si la sierra retrocede bruscamente al ser rechazada, el usuario puede hacer frente a esta fuerza de reacción siempre que haya tomando unas precauciones adecuadas.

Si la hoja de sierra se atasca, o en caso de tener que interrumpir el trabajo por cualquier otro motivo, soltar el interruptor de conexión/desconexión manteniendo inmóvil la sierra, y esperar a que se haya detenido completamente la hoja de sierra. Jamás intentar sacar la sierra de la pieza de trabajo o tirar de ella hacia atrás mientras esté funcionando la hoja de sierra, puesto que resultaría rechazada. Investigar y subsanar convenientemente la causa de atasco de la hoja de sierra.

Para continuar el trabajo con la sierra, centrar primero la hoja de sierra en la ranura y cerciorarse de que los dientes de sierra no toquen la pieza de trabajo. Si la hoja de sierra está atascada, la sierra puede llegar a salirse de la pieza de trabajo o ser rechazada al ponerse en marcha.

Soportar tableros grandes para evitar un rechazo al atascarse la hoja de sierra. Los tableros grandes pueden moverse por su propio peso. Los tableros deberán ser soportados a ambos lados, tanto cerca de la línea de corte como al borde.

No usar hojas de sierra melladas ni dañadas. Las hojas de sierra con dientes mellados o incorrectamente triscados producen una ranura de corte demasiado estrecha, lo que provoca una fricción excesiva y el atasco o rechazo de la hoja de sierra.

Apretar firmemente los dispositivos de ajuste de la profundidad y ángulo de corte antes de comenzar a serrar. Si la sierra llegase a desajustarse durante el trabajo puede que la hoja de sierra se atasque y resulte rechazada.

Prestar especial atención al realizar un “corte por inmersión” en tabiques u otros materiales de composición desconocida. Al ir penetrando la hoja de sierra ésta puede ser bloqueada por objetos ocultos en el material y hacer que la sierra sea rechazada.

Función de la cubierta de protección

Antes de cada utilización cerciorarse de que la caperuza protectora cierre perfectamente. No usar la sierra si la caperuza protectora no gira libremente o no cubre la hoja de sierra instantáneamente. Jamás bloquear o atar la caperuza protectora con la hoja de sierra descubierta. Si la sierra se le cae puede que se deforme la caperuza protectora. Cerciorarse de que la caperuza protectora se mueva libremente sin que llegue a tocar la hoja de sierra ni otras partes en cualquiera de los ángulos y profundidades de corte.

Controlar el funcionamiento y el estado del muelle de recuperación de la caperuza protectora. Antes de su uso hacer reparar el aparato si la caperuza protectora o el resorte no funcionan correctamente. Las piezas deterioradas, el material adherido pegajoso, o las virtutas acumuladas pueden hacer que la caperuza protectora se mueva con dificultad.

Asegurar la placa base contra un desplazamiento lateral al realizar „cortes por inmersión” que no sean a 90°. El desplazamiento lateral de la hoja de sierra puede hacer que ésta se bloquee y sea rechazada.

No depositar la sierra sobre una base si la caperuza protectora no cubre la hoja de sierra. Una hoja de sierra sin proteger, que no esté completamente detenida, hace que la sierra salga despedida hacia atrás, cortando todo lo que encuentra a su paso. Considerar el tiempo de marcha por inercia hasta la detención de la sierra.

Función de la cuña de partir

Usar la cuña separadora apropiada para la hoja de sierra empleada. La cuña separadora deberá ser más gruesa que el disco base, pero de un grosor menor que el ancho del diente de la hoja de sierra.

Ajustar la cuña separadora de la forma indicada en las instrucciones de manejo. Un grosor, posición o alineación incorrectos pueden ser la causa de que la cuña separadora no permita evitar el rechazo del aparato.

Utilice siempre la cuna de partir también al realizar „cortes de inmersión”. La cuna de partir presiona hacia arriba al llevar a cabo incisiones y, una vez finalizadas, se introduce con un movimiento de resorte automático en la ranura de serrado al avanzar la sierra circular.

Para que la cuña separadora cumpla su función, ésta deberá estar alojada en la ranura de corte. Al realizar cortes pequeños, la cuña separadora no trabaja y no evita el rechazo del aparato.

No utilizar la sierra con la cuña separadora deformada. Incluso una ligera deformación puede provocar que la caperuza protectora se cierre más lentamente.

¡Utilice protección auditiva! La exposición a niveles de ruido excesivos puede causar pérdida de audición

Utilice el equipamiento de protección. Mientras trabaje con la máquina lleve siempre gafas protectoras. Se recomienda utilizar ropa de protección como máscara protectora contra el polvo, guantes protectores, calzado resistente y antideslizante, casco y protección para los oídos.

El polvo que se produce cuando se usa esta herramienta puede ser perjudicial para la salud (por ejemplo cuando se trabaja en madera de haya o roble, piedra o pintura que pueda contener plomo u otros productos químicos nocivos). Use un sistema de absorción de polvo y utilice una máscara adecuada de protección contra el polvo. Limpie el polvo depositado, por ejemplo con un aspirador.

Desconecte siempre el enchufe antes de llevar a cabo cualquier trabajo en la máquina.

Enchufar la máquina a la red solamente en posición desconectada.

Mantener siempre el cable separado del radio de acción de la máquina.

Antes de empezar a trabajar compruebe si está dañada la máquina, el cable o el enchufe. Las reparaciones sólo se llevarán a cabo por Agentes de Servicio autorizados.

No se pueden emplear hojas de sierra cuyos datos codificados no corresponden a estas instrucciones de manejo.

Por favor no emplear muelas abrasivas!



E

En caso de serrar aluminio, por razones de seguridad se tienen que adoptar las siguientes medidas:

- Preconectar un interruptor de corriente de defecto (FI, RCD, PRCD).
- Conectar la máquina a un aparato de aspiración apropiado.
- Limpiar periódicamente los depósitos de polvo acumulados en la carcasa del motor y en la caperuza de protección de la máquina.
- El aluminio debe serrarse solamente con las hojas de sierra especiales previstas para tal fin.
- En caso de serrar placas, hay que lubricar con petróleo, los perfiles de capa delgada (hasta 3 mm) se pueden trabajar sin lubricación.

APLICACIÓN DE ACUERDO A LA FINALIDAD

La sierra circular se puede utilizar para cortar madera maciza, maderas encoladas, materias similares a la madera, perfiles de aluminio, metal no férreo y materias plásticas.

No utilice este producto para ninguna otra aplicación que no sea su uso normal.

DECLARACION DE CONFORMIDAD CE

Declaramos bajo nuestra sola responsabilidad que este producto está en conformidad con las normas o documentos normalizados siguientes. EN 60745, EN 55014-1, EN 55014-2, EN 61000-3-2, EN 61000-2-3, de acuerdo con las regulaciones 2006/42/CE, 2004/108/CE



Winnenden, 2010-10-25

Rainer Kumpf

Manager Product Development

Autorizado para la redacción de los documentos técnicos.

CONEXIÓN ELÉCTRICA



Conectar solamente a corriente AC monofásica y sólo al voltaje indicado en la placa de características. También es posible la conexión a enchufes sin toma a tierra, dado que es conforme a la Clase de Seguridad II.

MANTENIMIENTO

Las ranuras de ventilación de la máquina deben estar despejadas en todo momento.

Limpiar sólamnte con un paño seco. Ciertos lipiadores pueden dañar los plásticos y otras superficies aisladas. Mantenga el asa siempre limpia de polvo y grasa

Solo se deben utilizar accesorios y piezas de repuestos AEG. Piezas cuyo recambio no está descrito en las instrucciones de uso, deben sustituirse en un centro de asistencia técnica AEG (Consulte el folleto Garantía/Direcciones de Centros de Asistencia Técnica).

En caso necesario, puede solicitar un despiece de la herramienta. Por favor indique el número de impreso de diez dígitos que hay en la etiqueta y pida el despiece a la siguiente dirección: AEG Elektrowerkzeuge, Max-Eyth-Straße 10, D-71364 Winnenden, Germany.

SÍMBOLOS



Lea las instrucciones detenidamente antes de conectar la herramienta



¡ATENCIÓN! ¡ADVERTENCIA! ¡PELIGRO!



El polvo que se produce durante estos trabajos puede ser nocivo a la salud; es por ello es aconsejable que no penetre al cuerpo. Utilice por ello una máscara protectora contra polvo.



Para trabajar con la máquina, utilizar siempre gafas de protección.



Desconecte siempre el enchufe antes de llevar a cabo cualquier trabajo en la máquina.



Accesorio - No incluido en el equipo estándar, disponible en la gama de accesorios.



Madera maciza (dura, blanda), tableros de virutas y de fibras aglomeradas, madera estratificada, tableros de madera, planchas enchapadas y recubiertas



Plásticos, plásticos reforzados con fibras de vidrio (GFK), papel y tejidos, vidrio acrílico



Tableros de fibras ligados con yeso y cemento



Placas y perfiles de aluminio hasta 15 mm



¡No deseche los aparatos eléctricos junto con los residuos domésticos! De conformidad con la Directiva Europea 2002/96/CE sobre residuos de aparatos eléctricos y electrónicos y su aplicación de acuerdo con la legislación nacional, las herramientas eléctricas cuya vida útil haya llegado a su fin se deberán recoger por separado y trasladar a una planta de reciclaje que cumpla con las exigencias ecológicas.



TS 55 E

Potência absorvida nominal.....	1500 W
Nº de rotações em vazio	5500 min ⁻¹
Ø de disco x Ø da furação	160 x 20 mm
Profundidade de corte a 45°	39 mm
Profundidade de corte a 90°	55 mm
Peso sem cabo de ligação à rede	5,4 kg

Informações sobre ruído/vibração

Valores de medida de acordo com EN 60 745.
 O nível de ruído avaliado A do aparelho é tipicamente:
 Nível da pressão de ruído (K = 3 dB(A)) 93 dB (A)
 Nível da potência de ruído (K = 3 dB(A)) 104 dB (A)

Use protectores auriculares!

Valores totais de vibração (soma dos vectores das três direcções) determinadas conforme EN 60745.
 Valor de emissão de vibração a_h 4,7 m/s²
 Incerteza K = 1,5 m/s²

ATENÇÃO

O nível vibratório indicado nestas instruções foi medido em conformidade com um procedimento de medição normalizado na EN 60745 e pode ser utilizado para comparar entre si ferramentas eléctricas. O mesmo é também adequado para avaliar provisoriamente o esforço vibratório.

O nível vibratório indicado representa as principais aplicações da ferramenta eléctrica. Se, no entanto, a ferramenta eléctrica for utilizada para outras aplicações, com outras ferramentas adaptadas ou uma manutenção insuficiente, o nível vibratório poderá divergir. Isto pode aumentar consideravelmente o esforço vibratório ao longo de todo o período do trabalho.

Para uma avaliação exacta do esforço vibratório devem também ser considerados os tempos durante os quais o aparelho está desligado ou está a funcionar, mas não está efectivamente a ser utilizado. Isto pode reduzir consideravelmente o esforço vibratório ao longo de todo o período do trabalho.

Defina medidas de segurança suplementares para proteger o operador do efeito das vibrações, como por exemplo: manutenção da ferramenta eléctrica e das ferramentas adaptadas, manter as mãos quentes, organização das seqüências de trabalho.



⚠ ATENÇÃO! Leia todas as instruções de segurança e todas as instruções, também aquelas que constam na brochura junta. O desrespeito das advertências e instruções apresentadas abaixo pode causar choque eléctrico, incêndio e/ou graves lesões.
Guarde bem todas as advertências e instruções para futura referência.

INSTRUÇÕES DE SEGURANÇA

⚠ PERIGO:

Mantenha as mãos afastadas da área de corte e da lâmina de corte. Mantenha a sua outra mão segurando o punho adicional ou a carcaça do aparelho. Se ambas as mãos segurarem a serra circular, estas não poderão ser lesadas pela lâmina de serra.

Não toque em baixo da peça a ser trabalhada. A capa de protecção não pode proteger contra a lâmina de serra sob a peça a ser trabalhada.

Adaptar a profundidade de corte à espessura da peça a ser trabalhada. Deveria estar visível por aproximadamente menos do que uma altura de dente abaixo da peça a ser trabalhada.

Jamais segure a peça a ser trabalhada na mão ou sobre a perna. Fixar a peça a ser trabalhada sobre uma base firme. É importante, fixar bem a peça a ser trabalhada, para minimizar o risco de contacto com o corpo, emperramento da lâmina de serra ou perda de controlo.

Segure o aparelho nas superfícies de punho isoladas se estiver a executar trabalhos, nos quais a ferramenta de corte pode tocar em linhas eléctricas escondidas ou no próprio cabo. O contacto da ferramenta de corte com uma linha sob tensão

também pode colocar peças metálicas do aparelho sob tensão e levar a um choque eléctrico.

Utilize sempre um esbarro ou um guia de cantos recto para efectuar cortes longitudinais. Isto melhora a exactidão de corte e reduz a probabilidade da lâmina de serra emperrar.

Utilize sempre lâminas de serrar com o tamanho correcto e com orifício de admissão de forma apropriada (p.ex. em forma de estrela ou redonda). Lâminas de serra que não servem para as peças de montagem da serra, não giram irregularmente e levam à perda do controlo.

Jamais utilizar arruelas planas ou parafusos de lâminas de serra danificados ou não apropriados. As arruelas planas e os parafusos foram construídos especialmente para a sua serra, para uma potência otimizada e segurança operacional.

Causa e prevenção contra um contra-golpe:

- um contra-golpe é uma reacção repentina devido a uma lâmina de serra enganchada, emperrada ou incorrectamente alinhada, que faz com que uma serra descontrolada saia da peça a ser trabalhada e se movimente no sentido da pessoa a operar o aparelho;
- Se a lâmina de serra engancha ou emperra na fenda de corte, está é bloqueada, e a força do motor golpea o aparelho no sentido do operador;
- se a lâmina de serrar for torcida ou incorrectamente alinhada no corte, é possível que os dentes do canto posterior da lâmina de serrar se engatem na superfície da peça a ser trabalhada, de modo que a lâmina de serra se movimente para fora da fenda de corte e pule de volta para a pessoa a operar o aparelho.

Um contra-golpe é o resultado de uma utilização errada ou incorrecta da serra. Ele pode ser evitado com apropriadas medidas de precaução, como descrito a seguir.

Segurar a serra firmemente com ambas as mãos e mantenha os braços numa posição, na qual é capaz de suportar as forças de uma contra-golpe. Posicione-se sempre na lateral da lâmina de serra, jamais colocar a lâmina de serra numa linha com o seu corpo. No caso de um contra-golpe, a serra circular pode pular para trás, no entanto o operador será capaz de dominar a força do contra-golpe se tiver tomado medidas de precaução.

Se a lâmina de serra enganchar ou se o processo de serra for interrompido por qualquer outro motivo, deverá soltar o interruptor de ligar-desligar e segurar a serra imóvel na peça a ser trabalhada, até a lâmina de serra parar completamente. Não tente jamais remover a lâmina de serra da peça a ser trabalhada ou puxá-la para trás, enquanto a lâmina ainda estiver em movimento ou enquanto puder ocorrer um contra-golpe. Encontrar a causa pela qual a lâmina de serra está enganchada e eliminar a causa através de medidas apropriadas.

Se desejar reaccionar uma serra que se encontra na peça a ser trabalhada, deverá centrar a lâmina de serra na fenda de serra e controlar se os dentes da serra não engate na peça a ser trabalhada. Se a lâmina de serra emperrar, poderá movimentar-se para fora da lâmina de serra ou causar um contra-golpe logo que a serra for reaccionada.

Placas grandes devem ser apoiadas, para reduzir o risco de um contra-golpe devido a uma lâmina de serra emperrada.

Placas grandes podem curvar-se devido ao seu próprio peso. Placas devem ser apoiadas em ambos os lados, tanto nas proximidades da fenda de corte, assim como na borda.

Não utilizar lâminas de serra obtusas ou danificadas. Lâminas de serra obtusas ou desalinhas causam devido a uma fenda de corte demasiado estreita, uma fricção elevada, emperramento da lâmina de serra e contra-golpes.

Antes de serrar, deverá apertar os ajustes de profundidade de corte e de ângulo de corte. Se os ajustes se alterarem durante o processo de corte, é possível que a lâmina de serra seja emperrada e que ocorra um contra-golpe.

Tenha especialmente cuidado, ao efectuar um “Corte de imersão” numa área escondida, p.ex. uma parede existente. A lâmina de serra mergulhada pode bloquear-se em objetos escondidos ao serrar e causar um contra-golpe.

Funcionamento da cobertura de protecção

Controlar antes de cada utilização, se a capa de protecção fecha perfeitamente. Não utilizar a serra se a capa de protecção não se movimentar livremente e se não for possível fechá-la imediatamente. Jamais prender ou amarrar a capa de protecção na posição aberta. Se a serra cair inesperadamente no chão, é possível que a capa de protecção inferior seja entortada. Assegurar que se movimenta livremente e não entre em contacto com a lâmina de serra nem com outras partes ao efectuar todos os tipos de cortes angulares e em todas profundidades de corte.

Controlar a situação e a função da mola para a capa de protecção inferior. Permite que seja efectuada uma manutenção do aparelho

antes de utilizá-lo, se a capa de protecção inferior e a mola não estiverem funcionando perfeitamente. Peças danificadas, resíduos aderentes ou acumulações de aparas fazem com que a capa de protecção inferior trabalhe com atraso.

Ao efectuar um „corte por imersão”, não realizado rectangularmente, deverá fixar a placa de guia da serra contra deslocação lateral. Um deslocamento lateral pode emperrar a lâmina de serra e causar um contra-golpe.

Não depositar a serra sobre a bancada de trabalho nem sobre o chão, sem que a capa de protecção encubra a lâmina de serra. Uma lâmina de serra não utilizada, e em movimento por inércia, movimentada a serra no sentido contrário do corte e serra tudo que estiver no seu caminho. Observe o tempo de movimento de inércia da serra.

Função da cunha de fendas

Utilize a cunha abridora apropriada para a lâmina de serra utilizada. A cunha de fenda deve ser mais espessa do que a espessura do tronco da lâmina de serra, mas mais fina do que a largura dos dentes da lâmina de serra.

Ajustar a cunha abridora como descrito na instrução de serviço. Uma espessura, posição e alinhamento errados podem ser a causa pela qual a cunha abridora não seja capaz de evitar um contra-golpe.

Utilize sempre a cunha de fendas, mesmo nos „cortes por incisão”. Ao afundar a serra, a cunha de fendas é impulscionada para cima, entrando por si na fenda de corte, após a incisão, ao mover-se a serra circular para a frente.

Para que a cunha abridora possa ter efeito, é necessário que se encontre na fenda de corte. No caso de cortes curtos, a cunha abridora não tem efeito para evitar contra-golpes.

Não operar a serra com uma cunha abridora torta. Já a menor perturbação pode retardar o fechamento da capa de protecção.

Sempre use a protecção dos ouvidos. A influência de ruídos pode causar surdez.

Utilizar equipamento de protecção. Durante os trabalhos com a máquina, usar sempre óculos de protecção. Vestuário de protecção, bem como máscara de pó, sapatos fechados e antiderrapante, capacete e protecção auditiva são recomendados.

A poeira gerada ao trabalhar com esta ferramenta pode ser perigosa para a saúde (por exemplo, ao trabalhar com madeira de carvalho ou faia, pedras, tinta, que possam conter chumbo ou outros químicos prejudiciais) e por isso não deve atingir o corpo. Utilize um sistema de absorção de poeiras e use uma máscara de protecção. Retire completamente a poeira depositada, por exemplo com um aspirador.

Antes de efectuar qualquer intervenção na máquina, tirar a ficha da tomada.

Ao ligar à rede, a máquina deve estar desligada.

Manter sempre o cabo de ligação fora da zona de acção da máquina.

Antes de cada utilização inspecionar a máquina, o cabo de ligação a extensão e quanto a danos e desgaste. A máquina só deve ser reparada por um técnico especializado.

É inadmissível a utilização de discos de serra que não correspondam às características especificadas nestas instruções de serviço.



Por

É favor não instalar discos de lixar!

No tratamento de alumínio, as seguintes medidas devem ser observadas, por razões de segurança:

- Conecte a jussante um interruptor de protecção de corrente de avaria (FI, RCD, PRCD).
- Conecte a máquina em um dispositivo de aspiração apropriado.
- Limpe a máquina regularmente de depósitos de pó na caixa do motor e na cobertura de protecção.
- Alumínio só deve ser serrado com folhas de serra especiais previstas para tal fim.
- Ao serrar placas, deverá ser lubrificado com petróleo. Perfis de parede fina (até 3 mm) podem ser tratados sem lubrificação.

UTILIZAÇÃO AUTORIZADA

A serra circular manual destina-se ao corte de madeiras maciça, madeira colada, materiais similares com madeira, perfis de alumínio, material não ferroso e materiais plásticos.

Não use este produto de outra maneira sem ser a normal para o qual foi concebido.

DECLARAÇÃO DE CONFORMIDADE CE

Declaramos, sob nossa exclusiva responsabilidade, que este produto cumpre as seguintes normas ou documentos normativos: EN 60745, EN 55014-1, EN 55014-2, EN 61000-3-2, EN 61000-2-3, conforme as disposições das directivas 2006/42/CE, 2004/108/CEE



Winnenden, 2010-10-25

Rainer Kumpf
Manager Product Development
Autorizado a reunir a documentação técnica.

LIGAÇÃO À REDE

Só conectar à corrente alternada monofásica e só à tensão de rede indicada na placa de potência. A conexão às tomadas de rede sem contacto de segurana também é possível, pois trata-se duma construção da classe de protecção II.

MANUTENÇÃO

Mantem desobstruídos os rasgos de ventilação na carcaça da máquina.

Limpe apenas com um pano seco. Alguns produtos de limpeza danificam o plástico ou outras peças isoladas. Mantenha o aparelho limpo, seco e isento de óleo e gordura.

Utilizar unicamente acessórios e peças sobressalentes da AEG. Sempre que a substituição de um componente não tenha sido descrita nas instruções, será de toda a conveniência mandar executar esse trabalho a um Serviço de Assistência AEG (veja o folheto Garantia/Endereços de Serviços de Assistência).

A pedido e mediante indicação da referência de dez números que consta da chapa de características da máquina, pode requerer-se um desenho explosivo da ferramenta eléctrica a: AEG Elektrowerkzeuge, Max-Eyth-Straße 10, D-71364 Winnenden, Germany.

SYMBOLE



Leia atentamente o manual de instruções antes de colocar a máquina em funcionamento.



ATENÇÃO! PERIGO!



O pó que resulta ao trabalhar pode ser nocivo para a saúde, por isso não devendo penetrar no corpo. Use uma máscara de protecção contra pó apropriada.



Usar sempre óculos de protecção ao trabalhar com a máquina.



Antes de efectuar qualquer intervenção na máquina, tirar a ficha da tomada.



Acessório - Não incluído no equipamento normal, disponível como acessório.



Placas de madeira maciça (dura, macia), placas de aglomerado de madeira e de cartão-fibra, madeira estratificada, painéis de contraplacado, placas folheado de madeira e revestidas



Materiais plásticos, plásticos reforçados com fibra (GfK), papel e tecido, vidro acrílico



Placas de fibras ligadas de gesso e cimento



Placas e perfis de alumínio até 15 mm



Não deite ferramentas eléctricas no lixo doméstico! De acordo com a directiva europeia 2002/96/CE sobre ferramentas eléctricas e electrónicas usadas e a transposição para as leis nacionais, as ferramentas eléctricas usadas devem ser recolhidas em separado e encaminhadas a uma instalação de reciclagem dos materiais ecológica.

TS 55 E

Nominaal afgegeven vermogen.....	1500 W
Onbelast toerental	5500 min ⁻¹
Zaagblad ø x boring ø.....	160 x 20 mm
Zaagdiepte bij 45°	39 mm
Zaagdiepte bij 90°	55 mm
Gewicht, zonder snoer.....	5,4 kg

Geluids-/trillingsinformatie

Meetwaarden vastgesteld volgens EN 60 745.

Het kenmerkende A-gewogen geluidsniveau van de machine bedraagt:

Geluidsdrukniveau (K = 3 dB(A)) 93 dB (A)

Geluidsvermogniveau (K = 3 dB(A)) 104 dB (A)

Draag oorbeschermers!

Totale trillingswaarden (vectorsom van drie richtingen) bepaald volgens EN 60745.

Trillingsemisiewaarde $a_{h,v}$ 4,7 m/s²

Onzekerheid K= 1,5 m/s²

WAARSCHUWING

De in deze aanwijzingen vermelde trillingsdruk is gemeten volgens een in EN 60745 genormeerde meetmethode en kan worden gebruikt voor de onderlinge vergelijking van apparaten. Hij is ook geschikt voor een voorlopige inschatting van de trillingsbelasting.

De aangegeven trillingsdruk geldt voor de meest gebruikelijke toepassingen van het elektrische apparaat. Wanneer het elektrische gereedschap echter voor andere doeleinden, met andere dan de voorgeschreven hulpstukken gebruikt of niet naar behoren onderhouden wordt, kan de trillingsdruk afwijken. Dit kan de waarde van de trillingsdruk over de hele werkperiode aanzienlijk verhogen.

Voor een nauwkeurige inschatting van de trillingsdruk moeten ook de tijden in aanmerking worden genomen dat het apparaat uitgeschakeld is of weliswaar loopt, maar niet werkelijk in gebruik is. Dit kan de waarde van de trillingsdruk over de hele werkperiode aanzienlijk verminderen.

Bepaal extra veiligheidsmaatregelen ter bescherming van de bediener tegen de inwerking van trillingen, bijvoorbeeld: onderhoud van elektrische gereedschappen en apparaten, warmhouden van de handen, organisatie van de werkprocessen.

⚠ WAARSCHUWING! Lees alle veiligheidsinstructies en aanwijzingen door - ook die in de bijgeleverde brochure.

Als de waarschuwingen en voorschriften niet worden opgevolgd, kan dit een elektrische schok, brand of ernstig letsel tot gevolg hebben. **Bewaar alle waarschuwingen en voorschriften voor toekomstig gebruik.**

VEILIGHEIDSADVIEZEN**⚠ GEVAAR:**

Houd uw handen uit de buurt van de zaagomgeving en het zaagblad. Houd met uw andere hand de extra handgreep of het motorhuis vast. Als u de cirkelzaag met beide handen vasthoudt, kan het zaagblad deze niet verwonden.

Grijp niet onder het werkstuk. De beschermkap kan u onder het werkstuk niet tegen het zaagblad beschermen.

Pas de zaagdiepte aan de dikte van het werkstuk aan. Er dient minder dan een volledige tandhoogte onder het werkstuk zichtbaar te zijn.

Houdt het te zagen werkstuk nooit in uw hand of op uw been vast. Zet het werkstuk op een stabiele ondergrond vast. Het is belangrijk om het werkstuk goed te bevestigen om het gevaar van contact met het lichaam, vastklemmen van het zaagblad of verlies van de controle te minimaliseren.

Houd het apparaat alléén aan de geïsoleerde grijpvlakken vast, wanneer u werkzaamheden uitvoert waarbij het snijgereedschap verborgen stroomleidingen of de eigen apparaatkabel zou kunnen raken. Het contact van het snijgereedschap met een spanningvoerende leiding kan de metalen apparaatdelen onder spanning zetten en zo tot een elektrische schok leiden.

Gebruik bij het schulpen altijd een aanslag of een rechte randgeleiding. Dit verbetert de zaagnauwkeurigheid en verkleint de mogelijkheid dat het zaagblad vastklemt.

Gebruik altijd zaagbladen met de juiste maat en vorm (stervormig of rond) van het opnameboorgat. Zaagbladen die niet bij de montagegedelen van de zaagmachine passen, lopen niet rond en leiden tot het verliezen van de controle.

Gebruik nooit beschadigde of verkeerde onderleggingen of schroeven voor het zaagblad. De onderleggingen en schroeven voor het zaagblad zijn speciaal geconstrueerd voor deze zaagmachine, voor optimaal vermogen en optimale bedrijfszekerheid.



Oorzaken en voorkoming van een terugslag:

- een terugslag is de plotselinge reactie als gevolg van een vasthakend, klemmend of verkeerd gericht zaagblad, die ertoe leidt dat een ongecontroleerde zaagmachine uit het werkstuk omhoogkomt en in de richting van de bedienende persoon beweegt;

- als het zaagblad in de zich sluitende zaagopening vasthaakt of vastklemt, wordt het geblokkeerd en slaat de motorkracht de machine in de richting van de bedienende persoon terug;

- als het zaagblad in de zaagopening wordt gedraaid of verkeerd wordt gericht, kunnen de tanden van de achterste zaagbladrand in het oppervlak van het werkstuk vasthaken, waardoor het zaagblad uit de zaagopening beweegt en achteruitspringt in de richting van de bedienende persoon.

Een terugslag is het gevolg van het verkeerd gebruik of onjuiste gebruiksomstandigheden van de zaagmachine. Terugslag kan worden voorkomen door geschikte voorzorgsmaatregelen, zoals hieronder beschreven.

Houd de zaagmachine met beide handen vast en houd uw armen zo dat u stand kunt houden ten opzichte van de terugslagkrachten. Blijf altijd opzij van het zaagblad en breng het zaagblad nooit in één lijn met uw lichaam. Bij een terugslag kan de cirkelzaag achteruit springen. De bedienende persoon kan de terugslagkrachten echter beheersen wanneer geschikte maatregelen zijn getroffen.

Als het zaagblad vastklemt of het zagen om een andere reden wordt onderbroken, laat u de aan/uit-schakelaar los en houd u de zaagmachine in het materiaal rustig tot het zaagblad volledig stilstaat. Probeer nooit om de zaagmachine uit het werkstuk te verwijderen of de machine achteruit te trekken zolang het zaagblad beweegt of een terugslag kan optreden. Spoor de oorzaak van het klemmen van het zaagblad op en verwijder deze door geschikte maatregelen.

Als u een zaagmachine die in het werkstuk steekt weer wilt starten, centreert u het zaagblad in de zaagopening en controleert u of de zaagtanden niet in het werkstuk zijn vastgehaakt. Als het zaagblad klemt, kan het uit het werkstuk bewegen of een terugslag veroorzaken als de zaagmachine opnieuw wordt gestart.

Ondersteun grote platen om het risico van een terugslag door een klemmend zaagblad te verminderen. Grote platen kunnen onder hun eigen gewicht doorbuigen. Platen moeten aan beide zijden worden ondersteund, in de buurt van de zaagopening en aan de rand.

Gebruik geen stompe of beschadigde zaagbladen. Zaagbladen met stompe of verkeerd gerichte tanden veroorzaken door een te nauwe zaagopening een verhoogde wrijving, vastklemmen van het zaagblad of terugslag.

Draai voor het zagen de instellingen voor de zaagdiepte en de zaaghoek vast. Als tijdens het zagen de instellingen veranderen, kan het zaagblad vastklemmen kan een terugslag optreden.

Wees bijzonder voorzichtig als u invallend zaagt in een verborgen gedeelte, bijvoorbeeld een bestaande wand. Het invallende zaagblad kan bij het zagen in verborgen objecten blokkeren en een terugslag veroorzaken.

Functie van de beschermkap

Controleer voor elk gebruik of de beschermkap correct sluit. Gebruik de zaagmachine niet als de beschermkap niet vrij kan bewegen en niet onmiddellijk sluit. Klem of bind de onderste beschermkap nooit in de geopende stand vast.

Als de zaagmachine op de vloer valt, kan de onderste beschermkap verbogen worden. Controleer dat de beschermkap vrij beweegt en bij alle zaaghoeken en zaagdiepten het zaagblad of andere delen niet aanraakt.

Controleer de toestand en functie van de veer voor de beschermkap. Laat voor het gebruik van de machine onderhoud uitvoeren als de beschermkap en de veer niet correct werken. Beschadigde delen, plakkende aanslag of ophoping van spanen laten de onderste beschermkap vertraagd werken.

Voorkom dat de geleidingsplaat verschuift als u invallend zaagt en dat niet haaks doet. Zijwaarts verschuiven kan tot vastklemmen van het zaagblad en daarmee tot terugslag leiden.

Leg de zaagmachine niet op de werkbank of op de vloer zonder dat de beschermkap het zaagblad bedekt. Een onbeschermd uitlopend zaagblad beweegt de zaagmachine tegen de zaagrichting en zaagt wat er in de weg komt. Let op de uitlooptijd van de zaagmachine.

Functie van de spouwmes

Gebruik een spouwmes dat bij het ingezette zaagblad past. Het spouwmes moet dikker zijn dan het zaagblad maar dunner dan de tandbreedte van het blad.

Stel het spouwmes in zoals in de gebruiksaanwijzing beschreven. Verkeerde dikte, positie en richting kunnen een reden zijn dat het spouwmes een terugslag niet effectief voorkomt.

Gebruik de splitslijt altijd, ook bij „invalsnedes“. De splitslijt wordt bij de materiaalinalval naar boven gedrukt en veert na de inval bij het naar voren schuiven van de cirkelzaag zelfstandig in de zaagspleet.

Het spouwmes moet zich in de zaagopening bevinden om effectief te kunnen zijn. Bij kort zagen is het spouwmes niet werkzaam ter voorkoming van een terugslag.

Gebruik de zaagmachine niet met een verbogen spouwmes. Reeds een geringe storing kan het sluiten van de beschermkap verlangzamen.

Draag oorbeschermers. Blootstelling aan geluid kan het gehoor beschadigen.

Draag veiligheidsuitrusting. Bij werkzaamheden met de machine dient u altijd een veiligheidsbril te dragen. Veiligheidskleding zoals stofmasker, veiligheidshandschoenen, stevig en slipvast schoeisel, helm en gehoorbescherming worden aanbevolen.

Stof die vrijkomt tijdens het werken (bijvoorbeeld bij het bewerken van eiken- of beukenhout, steen, verflagen die lood of andere gevaarlijke stoffen kunnen bevatten) vormt vaak een gevaar voor de gezondheid en mag niet met het lichaam in aanraking komen. Machines met stofafzuiging gebruiken en tevens geschikte stofmaskers dragen. Vrijgekomen stof grondig verwijderen resp. opzuigen.



Voor alle werkzaamheden aan de machine de stekker uit de kontaktdoos trekken.

Machine alleen uitgeschakeld aan het net aansluiten.

Snoer altijd buiten werkbereik van de machine houden.

Voor alle ombouw- of onderhoudswerkzaamheden, de stekker uit de wandkontaktdoos nemen.

Zaagbladen, waarvan de gegevens niet overeenkomen welke in de gebruiksaanwijzing staan, mogen niet gebruikt worden.

Geen schuurschijven plaatsen!

Bij de bewerking van aluminium moeten om veiligheidsredenen de volgende maatregelen in acht worden genomen:

- schakel een foutstroom-veiligheidsschakelaar (FI, RCD, PRCD) voor.
- sluit de machine aan op een geschikt afzuigapparaat.
- reinig de machine regelmatig van stofaanslag in de motorbehuizing en de veiligheidskap.
- aluminium mag alléén worden gezaagd met de daarvoor bestemde speciale zaagbladen.
- bij het zagen van platen moet worden gesmeerd met petroleum, dunwandige profielen (tot 3 mm) kunnen zonder smering worden bewerkt.

VOORGESCHREVEN GEBRUIK VAN HET SYSTEEM

De handcirkelzaag is geschikt voor het zagen van massief hout, gelijmd hout, met hout vergelijkbare materialen, aluminiumprofielen non-ferro metaal, en kunststoffen.

Dit apparaat uitsluitend gebruiken voor normaal gebruik, zoals aangegeven.

EC - VERKLARING VAN OVEREENSTEMMING

Wij verklaren dat dit product voldoet aan de volgende normen of normatieve documenten: EN 60745, EN 55014-1, EN 55014-2, overeenkomstig de bepalingen van de richtlijnen 2006/42/EG, 2004/108/EEG



Winnenden, 2010-10-25

Rainer Kumpf
Manager Product Development
Gemachtigd voor samenstellen van de technische documenten

NETAANSLUITING

Uitsluitend op éénfase-wisselstroom en uitsluitend op de op het typeplaatje aangegeven netspanning aansluiten. Aansluiting is ook mogelijk op een stekerdoos zonder aardcontact mogelijk, omdat het is ontwerpen volgens veiligheidsklasse II.

ONDERHOUD

Altijd de luchtspleten van de machine schoonhouden.

Uitsluitend met een droge doek reinigen. Bepaalde reinigingsmiddelen beschadigen kunststof of andere geïsoleerde delen. Houd de radio schoon en droog en vrij van olie en vet. Alleen AEG toebehoren en onderdelen gebruiken. Onderdelen welke niet vermeld worden, kunnen het beste door de AEG servicedienst vervisseld worden (zie Serviceadressen).

Onder vermelding van het tiencijferige nummer op het machineplaatje is desgewenst een doorsnedetekening van de machine verkrijgbaar bij: AEG Elektrowerkzeuge, Max-Eyth-Straße 10, D-71364 Winnenden, Germany.

SYMBOLEN



Graag instructies zorgvuldig doorlezen vóórdat u de machine in gebruik neemt.



OPGELET! WAARSCHUWING! GEVAAR!



Het gedurende het werken vrijkomende stof is doorgaans schadelijk voor de gezondheid en mag niet met het lichaam in aanraking komen. Draag derhalve een geschikt stofbeschermsmasker.



Bij het werken met de machine altijd een veiligheidsbril dragen.



Voor alle werkzaamheden aan de machine de stekker uit de kontaktdoos trekken.



Toebehoren - Wordt niet meegeleverd. Is apart leverbaar. Zie hiervoor het toebehorenprogramma.



massief hout (hard, zacht), spaan- en hardvezelplaten, multiplex, meubelplaat, gefineerde en gecoate platen



kunststoffen, vezelversterkte kunststoffen (GVK), papier en weefsel, acrylglas



gips- en cementvezelplaten



aluminiumplaten en -profielen tot 15 mm



Geef elektrisch gereedschap niet met het huisvuil mee! Volgens de Europese richtlijn 2002/96/EG inzake oude elektrische en elektronische apparaten en de toepassing daarvan binnen de nationale wetgeving, dient gebruikt elektrisch gereedschap gescheiden te worden ingezameld en te worden afgevoerd naar een recycle bedrijf dat voldoet aan de geldende milieu-eisen.



TS 55 E

Nominal optagen effekt	1500 W
Omdrejningstal, ubelastet	5500 min ⁻¹
Savklinge- ϕ x hul- ϕ	160 x 20 mm
Skæredybde ved 45°	39 mm
Skæredybde ved 90°	55 mm
Vægt uden netledning	5,4 kg

Støj/Vibrationsinformation

Måleværdier beregnes iht. EN 60 745.

Værktøjets A-vurderede støjniveau er typisk:

Lydtrykniveau (K = 3 dB(A)) 93 dB (A)

Lydeffekt niveau (K = 3 dB(A)) 104 dB (A)

Brug høreværn!

Samlede vibrationsværdier (værdisum for tre retninger) beregnet iht. EN 60745.

Vibrationseksponering a_h 4,7 m/s²

Usikkerhed K = 1,5 m/s²

ADVARSEL

Svingningsniveauet, som er angivet i disse anvisninger, er målt i henhold til standardiseret måleprocedure ifølge EN 60745 og kan anvendes til indbyrdes sammenligning mellem el-værktøjer. Svingningsniveauet er ligeledes egnet som foreløbigt skøn over svingningsbelastningen.

Det angivne svingningsniveau er baseret på el-værktøjets primære anvendelsesformål. Hvis el-værktøjet benyttes til andre formål, med andet indsatsværktøj eller ikke vedligeholdes tilstrækkeligt, kan svingningsniveauet afvige. Dette kan øge svingningsbelastningen over den samlede arbejdsperiode betydeligt.

For en nøjagtig vurdering af svingningsbelastningen skal der også tages højde for de tidsperioder, hvor apparatet er slukket, eller hvor apparatet kører, men uden at være i anvendelse. Dette kan reducere svingningsbelastningen over den samlede arbejdsperiode betydeligt.

Supplerende sikkerhedsforanstaltninger til beskyttelse af brugeren mod påvirkninger fra svingninger skal iværksættes, f.eks.: Vedligeholdelse af el-værktøj og indsatsværktøj, varmholdelse af hænder, organisering af arbejdsprocesser.

⚠ ADVARSEL! Læs alle sikkerhedsanvisninger og øvrige vejledninger, også i den vedlagte brochure. I tilfælde af manglende overholdelse af advarselshenvisningerne og instrukserne er der risiko for elektrisk stød, brand og/eller alvorlige kvæstelser.

Opbevar alle advarselshenvisninger og instrukser til senere brug.

SIKKERHEDSHENVISNINGER**⚠ FARE:**

Stik aldrig hånden ind i skærområdet eller ind til savklingen. Tag fat om støttegrebet eller motorhuset med den anden hånd. Når man holder rundsaven med begge hænder, kan man ikke komme til at skære fingrene på klingen.

Stik aldrig hånden ind under arbejdsområdet.

Beskyttelsesskærmen giver ingen beskyttelse mod klingen på emnets underside.

Tilpas skæredybden efter arbejdsområdets tykkelse. Der må maksimalt være en hel tandhøjde synlig under emnet.

Hold aldrig et arbejdsområde i hånden eller over et knæ, når der skal saves i det. Emnet skal fikseres på et stabilt underlag. Det er vigtigt at emnet er gjort godt fast, for at minimere risikoen for at komme til at save sig selv og for at klingen sætter sig fast eller kommer ud af kontrol.

Hold maskinen fast i de isolerede gribeblade, når du udfører arbejde, hvor der er risiko for, at skæreværktøjet kan ramme skjulte strømledninger eller værktøjets egen ledning.

Kommer skæreværktøjet i kontakt med en strømførende ledning, kan maskinens metaldele komme under spænding og give elektrisk stød.

Anvend altid et anslag eller et lige landstyr ved skæring på langs. Det vil forbedre skærepræcisionen og reducere muligheden for, at savklinken kan sætte sig fast.

Anvend altid en savklinge i den rigtige størrelse og med det passende spændehul (f.eks. stjerneformet eller rund).

Savklinger, der ikke passer til monteringsdele på saven, vil køre ujævnt og kan nemt få maskinen til at gå ud af kontrol.

Anvend aldrig beskadigede eller forkerte underlagsskiver eller skruer til savklingen. Underlagsskiver og skruer til savklinger bliver konstrueret specielt til den enkelte sav, så man opnår optimal ydelse og driftssikkerhed.

Årsager til og undgåelse af kast (kickback):

- kast betyder en pludselig reaktion på grund af at savklingen er klemt fast, sætter sig fast eller er monteret forkert, og som bevirker, at man mister kontrollen over saven, der bliver løftet opad og ud af arbejdsområdet og bliver slynget op mod brugeren;

- hvis klingen binder eller sætter sig fast i savsnittet, der lukker sig, bliver den blokeret, og motorkraften slynger maskinen tilbage mod brugeren;

- hvis savklingen drejes eller rettes forkert ind i savsnittet, kan tænderne i den bageste del af savklingen bide sig fast i arbejdsområdets overflade, og derefter vil klingen arbejde sig ud af snittet og saven blive slynget tilbage mod brugeren.

Et kast (kickback) opstår som følge af forkert brug eller misbrug af maskinen. Det kan undgås ved at tage nedenstående forholdsregler.

Hold fast på saven med begge hænder og hold armene i en stilling, hvor De kan opfange styrken fra et kast. Stå altid på den ene side af savklingen, savklingen må aldrig stå på linje med kroppen. Ved et kast kan rundsaven springe bagud, men brugeren kan opfange tilbageslagskraften, hvis man forholder sig rigtigt.

Hvis savklingen binder eller savningen skal afbrydes af en anden grund, så slip start-/stop-kontakten og lad saven blive siddende i emnet, indtil savklingen står helt stille. Prøv aldrig på at tage saven ud af emnet eller at trække den tilbage, så længe savklingen bevæger sig eller der er risiko for kast. Find ud af, hvorfor savklingen har sat sig fast, og træf egnede forholdsregler, så det ikke kan ske igen.

Når man igen vil starte en sav, som har sat sig fast i emnet, skal savklingen centeres i savsnittet, hvorefter man kontrollerer, at savtænderne ikke har sat sig fast i emnet. Hvis savklingen binder, kan den arbejde sig ud af arbejdsområdet og forårsage et kast, når man starter saven igen.

Store plader skal afstøttes for at mindske risikoen for kast, på grund af at savklingen sætter sig fast. Store plader har en tendens til at bøje ned i midten på grund af deres egenvægt. Plader skal afstøttes på begge sider, både i nærheden af savsnittet og ved pladens kant.

Anvend aldrig en sløv eller beskadiget savklinge. En savklinge med sløve eller forkert rettede tænder giver et smal savsnit, som kan give en for høj friktion, få klingens til at sætte sig fast og forårsage kast.

Skæredybden og skærevinklen skal indstilles og spændes fast, før man begynder at save. Hvis indstillingen ændres under savningen, kan savklingen sætte sig fast og der kan opstå kast.

Vær især forsigtig, hvis der skal udføres et „dyksnit“ i et uoverskueligt område, f.eks. i en eksisterende væg. Savklingen, der skal dykke ned, kan blive blokeret i skjulte genstande og give kast.

Den beskyttelsesskærm funktion

Kontroller først, om beskyttelseskappen lukker korrekt, hver gang maskinen skal bruges. Anvend aldrig saven, hvis beskyttelseskappen ikke kan bevæges frit og ikke lukker sig øjeblikkeligt. Den nederste beskyttelseskappe må aldrig klemmes eller bindes fast i åbnet stilling. Hvis saven falder ned ved et uheld, kan den nederste beskyttelseskappe blive bøjet. Overbevis Dem om, at beskyttelseskappen kan bevæges frit og hverken berører savklingen eller andre dele ved alle skærevinkler og -dybder.

Kontroller at fjedrene til beskyttelseskappen er i orden og fungerer korrekt. Få udført service på maskinen, før den bruges igen, hvis beskyttelseskappen og fjederen ikke fungerer korrekt. Den nederste beskyttelseskappe kan gå trægt, hvis der er beskadigede dele, klæbrige rester eller større spånafløjninger i kappen.

Overbevis Dem om før et „dyksnit“, der ikke skal udføres i en ret vinkel, at savens styreplade ikke kan forskyde sig sideværts. En sideværts forskydning kan medføre, at savklingen sætter sig fast, og dermed give kast.

Læg aldrig saven fra Dem på et arbejdsbord eller på jorden, uden at beskyttelseskappen dækker savklingen. En ubeskyttet savklinge med efterløb vil få saven til at flytte sig baglæns og vil save i alting, der kommer i vejen for den. Derfor er det vigtigt at holde øje med savens efterløbstdid.

Spalteknivens funktion

Anvend en spaltekniv, der passer til den isatte savklinge.

Spaltekniven skal være tykkere end klingens krop, men tyndere end klingens tandbredde.

Juster spaltekniven, som beskrevet i betjeningsvejledningen.

En forkert tykkelse, position og justering kan være grunden til, at spaltekniven ikke kan forhindre et kast effektivt.

Brug altid spaltekniven, også ved „dybdesnit“. Spaltekniven trykkes opad ved neddykningen og fjederer efter neddykningen automatisk ind i savspalten, når rundsaven skubbes frem.

For at spaltekniven skal kunne virke, skal den sidde i savsnittet. Ved korte snit er spaltekniven uvirksom og kan ikke forhindre et kast.

Saven må aldrig bruges, hvis spaltekniven er bøjet. Bare en lille fejl kan få beskyttelseskappen til at lukke sig langsommere.

Bær høreværn. Støjpåvirkning kan bevirke tab af hørelse.

Brug beskyttelsesudstyr. Bær altid sikkerhedsbriller, når du arbejder med maskinen. Vi anbefaler desuden brug af personlig beskyttelsesudrustning, såsom støvmaske, sikkerhedshandsker, hørelse og skridsikker skotøj, hjelm og høreværn.

Støv, som opstår i forbindelse med fræsearbejdet, er ofte sundhedsskadeligt (f.eks. ved bearbejdning af ege- og bøgetræ, sten, gamle laklag/lag maling, som indeholder bly eller andre skadelige stoffer) og må ikke trænge ind i kroppen. Brug en støvsuger og bær egnet støvbeskyttelsesmaske. Fjern grundigt afløjet støv (f.eks. ved opsugning).

Før ethvert arbejde med maskinen skal stikket tages ud af stikdåsen. Maskinen slutes kun udkoblet til stikdåsen.

Tilslutningskablet holdes hele tiden væk fra maskinens arbejdsområde. Kablet ledes altid bort bag om maskinen.

Kontroller hvergang, før laderen anvendes, at tilslutningskabel, forlænger kabel og stik er i orden. Dele der er beskadiget bør kun repareres hos et autoriseret værksted.

Savklinger, som ikke svarer til data i denne brugsanvisning, må ikke anvendes.

Slibeskiver må ikke indsættes

Ved bearbejdning af aluminium skal følgende forholdsregler overholdes af sikkerhedsgrunde:

- Foretag seriekobling af et fejlstrømsrelæ (FI, RCD, PRCD).
- Slut maskinen til en egnet udsugningsenhed.
- Maskinen skal med jævne mellemrum renholdes for støvaflejninger i motorhuset og i beskyttelseskappen.
- Savning i aluminium må kun ske med dertil beregnede specialklinger.
- Ved savning i plader skal der smøres med petroleum, tyndvæggede profiler (op til 3 mm) kan bearbejdes uden smøring.



TILTÆNKT FORMÅL

Rundsaven er beregnet til savning af massivt træ, limet træ, træliggende materialer, aluminiumsprofiler, uædle metaller og plastmaterialer.

Produktet må ikke anvendes på anden måde og til andre formål end foreskrevet.

CE-KONFORMITETSERKLÆRING

Vi erklærer under almindeligt ansvar, at dette produkt er i overensstemmelse med følgende normer eller normative dokumenter. EN 60745, EN 55014-1, EN 55014-2, i henhold til bestemmelserne i direktiverne 2006/42/EF, 2004/108/EØF



Winnenden, 2010-10-25

Rainer Kumpf
Manager Product Development
Autoriseret til at udarbejde de tekniske dokumenter.



NETTILSLUTNING

Tilslutning må kun foretages til enfaset vekselstrøm og kun til en netspænding, som er i overensstemmelse med angivelsen på mærkepladen. Tilslutning kan også ske til stikdåser uden beskyttelseskontakt, da kapslingsklasse II foreligger.

VEDLIGEHOLDELSE

Hold altid maskinens ventilationsåbninger rene.

Må udelukkende renses med en tør klud. Nogle rengøringsmidler beskadiger kunststof eller andre isolerede dele. Apparatet skal holdes rent og tørt, frit for olie og fedt.

Brug kun AEG tilbehør og reservedele. Lad de komponenter, hvis udskiftning ikke er blevet beskrevet, udskifte hos Atlas Copco service (se kundeserviceadresser).

Ved opgivelse af type nr. der er angivet på maskinens effektskilt, kan De requirere en reservedelstegning, ved henvendelse til: AEG Elektrowerkezeuge, Max-Eyth-Straße 10, D-71364 Winnenden, Germany.

SYMBOLER



Læs brugsanvisningen nøje før ibrugtagning.



VIGTIGT! ADVARSEL! FARE!



Støv, som opstår under arbejdet, er ofte sundhedsfarligt og bør ikke trænge ind i kroppen. Benyt egnet åndedrætsværn.



Når der arbejdes med maskinen, skal man have beskyttelsesbriller på.



Før ethvert arbejde ved maskinen skal stikket tages ud af stikdåsen.



Tilbehør - Ikke inkluderet i leveringsomfanget, køb købes som tilbehør.



Massivt træ (hårdt, blødt), spånplader og hårde træfiberplader, limtræ, møbelplader, finerede og laminerede plader



Kunststoffer, fiberarmerede kunststoffer (GfK), papir og væv, acrylglas



Gips- og cementbundne fiberplader



Aluminiumsplader og -profiler op til 15 mm



Elværktøj må ikke bortskaffes som almindeligt affald! I henhold til det europæiske direktiv 2002/96/EF om bortskaffelse af elektriske og elektroniske produkter og gældende national lovgivning skal brugt værktøj indsamles separat og bortskaffes på en måde, der skåner miljøet mest muligt.

TS 55 E

Nominell inngangseffekt	1500 W
Tomgangsturtall	5500 min ⁻¹
Sagblad- ϕ x hull- ϕ	160 x 20 mm
Kuttedybde ved 45°	39 mm
Kuttedybde ved 90°	55 mm
Vekt uten nettkabel	5,4 kg

Støy/Vibrasjonsinformasjon

Måleverdier fastslått i samsvar med EN 60 745.

Det typiske A-bødemte støynivået for maskinen er:

Lydtrykknivå (K = 3 dB(A)) 93 dB (A)

Lydeffektnivå (K = 3 dB(A)) 104 dB (A)

Bruk hørselsvern!

Totalt svingningsverdier (vektorsum fra tre retninger) beregnet jf. EN 60745.

Svingningsemisjonsverdi a_h 4,7 m/s²

Usikkerhet K = 1,5 m/s²

ADVARSEL

Svingningsnivået som er angitt i denne instruksjonen er målt i overensstemmelse med målemetoden normert i direktiv EN 60745 og kan brukes til å sammenligne elektromaskiner med hverandre. Den egner seg også for en foreløbig vurdering av svingningsbelastningen.

Det angitte svingningsnivået representerer de hovedsaklige bruk av elektroverktøyet. Men anvendes elektroverktøyet for andre bruk med avvikende utskiftbare verktøy eller vedlikeholdet er utilstrekkelig, kan svingningsnivået være avvikende.

Dette kan forhøye svingningsbelastning betydelig over hele arbeidsperioden. For en nøyaktig vurdering av svingningsbelastningen må også det tas hensyn til tiden apparatet er avslått eller står på, men ikke er i bruk. Dette kan redusere svingningsbelastningen betydelig over hele arbeidsperioden.

Innfør også ekstra sikkerhetstiltak for å beskytte bruker mot utvirkingen av svingningene. Disse kan f.eks. være: vedlikehold av elektroverktøyet og det utskiftbare verktøyet, holde hendene varme, organisasjon av arbeidsforløpet.

⚠ ADVARSEL! Les alle sikkerhetsinstrukser og bruksanvisninger, også de i den vedlagte brosjyren. Feil ved overholdelsen av advarslene og nedenstående anvisninger kan medføre elektriske støt, brann og/eller alvorlige skader.

Ta godt vare på alle advarslene og informasjonene.

SPESIELLE SIKKERHETSHENVISNINGER

⚠ FARE:

Pass på at hendene ikke kommer inn i sagområdet og opp i sagbladet. Hold ekstrahåndtaket eller motorhuset fast med den andre hånden. Når begge hendene holder sirkelsagen, kan sagbladet ikke skade hendene.

Ikke grip under arbeidsstykket. Verneedselet kan ikke beskytte deg mot sagbladet under arbeidsstykket.

Tilpass skjæredybden til tykkelsen på arbeidsstykket. Det skal være mindre enn en full tannhøyde synlig under arbeidsstykket.

Hold aldri arbeidsstykket som skal sages fast med hånden eller over benet. Sikre arbeidsstykket på et stabilt underlag.

Det er viktig å feste arbeidsstykket godt for å minimere faren ved kroppskontakt, fastklemming av sagbladet eller hvis du mister kontrollen.

Hold apparatet i de isolerte holdeflatene, når det arbeides på steder hvor elektroverktøyet kan treffe skjulte strømledninger eller verktøyets egen kabel. Kontakt med en ledning som er under spenning, kan også sette metalleder til apparatet under spenning og føre til et elektrisk slag.

Ved langskjæring må du alltid bruke et anlegg eller en rett kantføring. Dette forbedrer skjærenøyaktigheten og reduserer muligheten til at sagbladet klemmer.

Bruk alltid sagblad med rett størrelse og med passende festehull (f.eks. stjerne-formet eller rund). Sagblad som ikke passer sammen med sagens montasjedeler, går urundt og fører til tap av kontrollen.

Bruk aldri skadede eller gale sagblad-underlagsskiver eller -skruer. Sagblad-underlagsskivene og -skruene ble spesielt konstruert for denne sagen, slik at det oppnås en optimal ytelse og driftssikkerhet.

Årsaker til tilbakeslag og hvordan tilbakeslag kan unngås.

- Et tilbakeslag er en plutselig reaksjon fra et sagblad som har hengt seg opp, klemt seg fast eller er galt innrettet, og som fører til at en ukontrollert sag løftes opp og beveger seg ut av arbeidsstykket og i retning av brukeren.

- Hvis et sagblad henger seg opp eller klemmer seg fast i en sagespalte som lukkes, blokkerer sagen og motorkraften slår sagen tilbake i retning av brukeren.

- Hvis et sagblad dreies galt eller rettes galt opp i sagsnittet, kan tennene til bakre sagbladkant kile seg fast i overflaten til arbeidsstykket, slik at sagbladet beveger seg ut av sagespalten og sagen springer tilbake i retning av brukeren.

Et tilbakeslag er resultat av en gal eller feilaktig bruk av sagen. Det kan unngås ved å følge egnede sikkerhetstiltak som beskrevet nedenstående.



Nor

Hold sagen godt fast og plasser armene dine i en stilling som kan ta imot tilbakeslagskrefter. Opphold deg alltid på siden av et sagblad, la aldri sagbladet være i en linje med kroppen din. Ved et tilbakeslag kan sirkelsagen rykke bakover, men brukeren kan beherske tilbakeslagskreftene, hvis det ble utført egnede tiltak.

Hvis et sagblad klemmer fast eller sagingen avbrytes av andre grunner må du slippe på -/av-bryteren og holde sagen rolig i materialet til sagbladet står helt stille. Forsøk aldri å fjerne sagen fra et arbeidsstykke eller trekke den bakover så lenge sagbladet beveger seg eller det kan oppstå et tilbakeslag. Finn årsaken til at sagbladet er klemt fast og fjern denne årsaken med egnede tiltak.

Hvis du vil starte en sag som står fast i arbeidsstykket igjen, sentrerer du sagbladet i sagespalten og kontrollerer om sagtennene ikke har kilt seg fast i arbeidsstykket. Hvis sagbladet klemmer seg fast, kan det bevege seg ut av arbeidsstykket eller forårsake et tilbakeslag når sagen starter igjen.

Støtt store plater for å redusere risikoen for tilbakeslag fra et fastklemt sagblad. Store plater kan bøyes av sin egen vekt. Platene må støttes på begge sider, både i nærheten av sagespalten og på kanten.

Bruk ikke butte eller skadede sagblad. I en for smal sagespalte forårsaker sagblad med butte eller galt opprettede tenner stor friksjon, fastklemming av sagbladet eller tilbakeslag.

Trekk fast skjæredybde- og skjærevinkelinnstillingene fast før sagingen. Hvis innstillingene forandrer seg i løpet av sagingen, kan sagbladet klemmes fast og det kan oppstå et tilbakeslag.

Vær spesielt forsiktig når du utfører en „innstikksaging“ i et skjult område, f.eks. en eksisterende vegg. Det innstikkende sagbladet kan blokkere ved saging i skjulte objekter og forårsake et tilbakeslag.

Funksjonen til den vernehetten

Før hver bruk må du kontrollere om verneakselet stenger helt. Ikke bruk sagen hvis verneakselet ikke kan beveges fritt og ikke stenger straks. Klem og bind nedre verneakselet aldri fast i åpningsposisjon. Hvis sagen skulle falle ned på bakken ved en feiltagelse, kan det nedre verneakselet bøyes. Pass på at verneakselet kan beveges fritt og ikke berører verken sagblad eller andre deler i alle skjærevinkler og -dybder.

Kontroller fjærens funksjon og tilstand for nedre verneakselet. La maskinen gjennomgå service før bruk, hvis verneakselet og fjær ikke virker feifritt. Skadede deler, klebrige avleiringer eller sponhauger medfører at nedre verneakselet reagerer forsinket.

Ved en „innstikksaging“ som ikke utføres rettvinklet må du sikre føringsplaten til sagen mot en forskyvning mot siden. En forskyvning mot siden kan føre til at sagbladet klemmes fast og slik utløse et tilbakeslag.

Legg ikke sagen på arbeidsbenken eller gulvet uten at verneakselet dekker til sagbladet. Et ubeskyttet sagblad som fortsatt roterer, beveger sagen i motsatt retning av skjærerretningen og sager alt som er i veien. Ta hensyn til tiden sagen fortsatt roterer etter at den er slått av.

Spaltekilens funksjon

Bruk en passende spaltekniv for det innsatte sagbladet.

Spaltekniven må være tykkere enn stambladtykkelsen til sagbladet, men tynnere enn tannbredden til sagbladet.

Juster spaltekniven som beskrevet i bruksanvisningen. Gal tykkelse, posisjon og oppretting kan være grunnen til at spaltekniven ikke virkelig forhindrer et tilbakeslag.

Bruk alltid spaltekilens, også ved nedsen kingskutt. Spaltekilens trykkes opp under nedsenkingen, og fjærer tilbake i sagsporet av seg selv når sirkelsagen skyves forover.

Spaltekniven må befinne seg i sagespalten for at den kan virke. Ved korte snitt virker ikke spaltekniven, slik at tilbakeslag forhindres.

Ikke bruk sagen med bøyd spaltekniv. Allerede en liten forstyrrelse kan forårsake at verneakselet stenger langsommere.

Bruk hørselsvern. Støy kan føre til tap av hørselen

Bruk vernebekledning. Ta alltid på vernebrille ved bruk av maskinen. Vernebekledning så vel som støvmaske, vernehansker, fast og sklisikkert skotøy, hjem og hørselsvern er anbefalt.

Støv som oppstår under arbeidet er ofte helsefarlig (f.eks. ved bearbeiding av eike- og boketre, steinarter, malingstrøk, som kan inneholde bly eller andre skadelige stoffer) og bør ikke komme inn i kroppen. Bruk støvavsug og i tillegg egnede støvbeskyttelsesmasker. Fjern oppsamlet støv grundig, f.eks. oppsuging.

Trekk støpslet ut av stikkkontakten før du begynner arbeidet på maskinen.

Maskinen må være slått av når den koples til stikkkontakten.

Hold ledningen alltid vekk fra maskinens virkeområde. Før ledningen alltid bakover fra maskinen.

Kontroller apparat, tilkopplingsledning, skjøteledning og støpsel for skader og aldring før bruk. La en fagmann reparere skadete deler.

Ikke bruk sagblad som ikke er i tråd med egenskapene i denne bruksanvisningen.

Bruk ikke slipeskiver.

Ved saging av aluminium må man av sikkerhetsgrunner ta hensyn til følgende forholdsregler:

- Koble foran til en feilstrømsavbryter (FI; RCD; PRCD).
- Koble maskinen til et egnet avsningsapparat.
- Rengjør maskinen regelmessig for støv i motorkassen og i vernehetten.
- Aluminium skal bare sages med de spesialsagebladene som er laget for dette.
- Ved saging av plater skal disse smøres med petroleum, profiler med tynne vegger (til 3 mm tykkelse) kan sages uten smøring.

FORMÅLSMESSIG BRUK

Sirkelsagen er egnet for saging av massivt tre, sammenlimt tre, tre lignende materiale, aluminiumprofiler, uedelte metall og kunststoff.

Dette apparatet må kun brukes til de oppgitte formål.



CE-SAMSVARERKLÆRING

Vi erklærer på eget ansvar at dette produktet stemmer overens med de følgende normer eller normative dokumenter. EN 60745, EN 55014-1, EN 55014-2, EN 61000-3-2, EN 61000-2-3, i henhold til bestemmelsene i direktivene 2006/42/EF, 2004/108/EF



Winnenden, 2010-10-25

Rainer Kumpf
Manager Product Development
Autorisert til å utarbeide den tekniske dokumentasjonen

NETTILKOPLING

Skal bare tilsluttes enfasevekselstrøm og bare til den på skiltet angitte nettspenning. Tilslutning til stikkontakter uten jordet kontakt er mulig fordi beskyttelse beskyttelsesklasse II er forhanden.

VEDLIKEHOLD

Hold alltid lufteåpningene på maskinen rene.

Må kun rengjøres med en tørr klut. Mange typer rengjøringsmidler skader plast eller andre isolerte deler. Hold apparatet rent og tørt og fritt for olje og fett.

Bruk kun AEG tilbehør og reservedeler. Komponenter der utskiftning ikke er beskrevet skal skiftes ut hos AEG kundeservice (se brosjyre garanti/kundeserviceadresser).

Ved behov kan du be om en eksplosjonstegning av apparatet hos din kundeservice eller direkte hos AEG Elektrowerzeuge, Max-Eyth-Strasse 10, D-71364 Winnenden, Germany. Oppgi maskintype og det tilsifrete nummeret på typeskiltet.

SYMBOLER



Les nøye gjennom bruksanvisningen før maskinen tas i bruk.



OBS! ADVARSEL! FARE!



Støvet som oppstår ved arbeidet er ofte helsefarlig og skal ikke komme i kontakt med kroppen. Bruk derfor verneemaske som er egnet for støv.



Bruk alltid vernebrille når du arbeider med maskinen.



Trekk støpslet ut av stikkkontakten før du begynner arbeidet på maskinen.



Tilbehør - inngår ikke i leveransen, anbefalt komplettering fra tilbehørsprogrammet.



Massivt tre (hardt, mykt), spon- og trefiberplater, laminert tre, stavplater (hobbyplater), finer- og laminerte plater.



Plastikk, fiberforsterket plastikk (GFK), papir og stoff, akrylglas.



Gipsplater og sementfiberplater



Aluminiumplater og profiler til en tykkelse til 15 mm



Kast aldri elektroverktøy i husholdningsavfallet! I henhold til EU-direktiv 2002/96/EF om kasserte elektriske og elektroniske produkter og direktivets iverksetting i nasjonal rett, må elektroverktøy som ikke lenger skal brukes, samles separat og returneres til et miljøvennlig gjenvinningsanlegg.



Nor

TS 55 E

Nominell upptagen effekt.....	1500 W
Obelastat varvtal.....	5500 min ⁻¹
Sågklinga- \emptyset x hål- \emptyset	160 x 20 mm
Skärdjup vid 45°.....	39 mm
Skärdjup vid 90°.....	55 mm
Vikt utan nätkabel.....	5,4 kg

Buller-/vibrationsinformation

Mätvärdena har tagits fram baserade på EN 60745.

A-värdet av maskinens ljudnivå utgör:

Ljudtrycksnivå (K = 3 dB(A))..... 93 dB (A)

Ljudeffektsnivå (K = 3 dB(A))..... 104 dB (A)

Använd hörselskydd!

Totala vibrationsvärdet (vektorsumma ur tre riktningar) framtaget enligt EN 60745.

Vibrationsemissionsvärde a_h 4,7 m/s²

Onoggrannhet K =..... 1,5 m/s²

**VARNING**

Den i de här anvisningarna angivna vibrationsnivån har uppmätts enligt ett i EN 60745 normerat mätförfarande och kan användas vid jämförelse mellan olika elverktyg. Nivån är även lämplig att använda vid en preliminär bedömning av vibrationsbelastningen.

Den angivna vibrationsnivån representerar den huvudsakliga användningen av det aktuella elverktyget. Men om elverktyget ska användas i andra användningsområden, tillsammans med avvikande insatsverktyg eller efter otillräckligt underhåll, kan vibrationsnivån skilja sig. Det kan öka vibrationsbelastningen betydligt under hela arbetstiden.

För att få en exaktare bedömning av vibrationsbelastningen ska även den tid beaktas, under vilken elverktyget är avstängt eller är påslaget, utan att det verkligen används. Det kan reducera vibrationsbelastningen betydligt under hela arbetstiden.

Lägg som skydd för användaren fast extra säkerhetsåtgärder mot vibrationernas verkan, som till exempel: underhåll av elverktyg och insatsverktyg, varmhållning av händer och organisering av arbetsflöpp.

⚠️ VARNING! Läs alla säkerhetsanvisningar och andra tillhörande anvisningar, även de i den medföljande broschyren. Fel som uppstår till följd av att anvisningarna nedan inte följts kan orsaka elstöt, brand och/eller allvarliga kroppsskador.
Förvara alla varningar och anvisningar för framtida bruk.

SÄKERHETSUTRUSTNING**⚠️ FARA:**

Håll händerna på betryggande avstånd från sågområdet och sågklingan. Håll andra handen på stödhandtaget eller motorhuset. Om båda händerna hålls på sågen kan de inte skadas av sågklingan.

För inte in handen under arbetsstycket. Klingskyddet kan under arbetsstycket inte skydda handen mot sågklingan.

Anpassa sågdjupet till arbetsstyckets tjocklek. Den synliga delen av en tand under arbetsstycket måste vara mindre än en hel tand.

Arbetsstycket som ska sägas får aldrig hållas i handen eller över benen. Säkra arbetsstycket på ett stabilt underlag. Det är viktigt att arbetsstycket hålls fast ordentligt för undvikande av kontakt med kroppen, inklemning av sågklinga eller förlorad kontroll över sågen.

Håll fast apparaten med hjälp av de isolerade greppytorna när du utför arbeten där arbetsverktyget skulle kunna träffa på dolda elledningar eller kablar. Om man kommer i kontakt med en spänningsförande ledning, så kan även de delar på verktyget som är av metall bli spänningsförande och leda till att man får en elektrisk stöt.

Vid längsriktad sågning ska alltid ett anslag eller en rak kantsstyrning användas. Detta förbättrar snittnoggrannheten och minskar risken för att sågklingan kommer i kläm.

Använd alltid sågklingor med rätt storlek och lämpligt infästningshål (t.ex. i stjärnform eller rund). Sågklingor som inte passar till sågens monteringskomponenter roterar orunt och leder till att kontrollen förloras över sågen.

Använd aldrig skadade eller felaktiga underlägsbrickor eller skruvar för sågklingan. Underlägsbrickorna och skruvarna för sågklingan har konstruerats speciellt för denna såg för optimal effekt och driftsäkerhet.

Orsaker för och eliminering av bakslag:

- ett bakslag är en plötslig reaktion hos en sågklinga som hakat upp sig, klämts fast eller är fel inriktad och som leder till att sågen okontrollerat lyfts upp ur arbetsstycket och kastas mot användaren;
- om sågklingan hakar upp sig eller kläms fast i sågspåret som går ihop, kommer klingan att blockera varefter motorkraften kastar sågen i riktning mot användaren;
- om sågklingan snedvrids i sågspåret eller är fel inriktad, kan tänderna på sågklingans bakre kant haka upp sig i arbetsstyckets yta varvid sågklingan går ur sågspåret och hoppar bakåt mot användaren.

Bakslag uppstår till följd av missbruk eller felaktig hantering av sågen. Detta kan undvikas genom skyddsåtgärder som beskrivs nedan.

Håll stadigt i sågen med båda händerna och håll armarna i ett läge som möjliggör att hålla stånd mot de bakslagskrafter som eventuellt uppstår. Stå alltid på sidan om sågklingan; håll aldrig sågklingan i linje med kroppen. Vid ett bakslag kan cirkelsågen hoppa bakåt men användaren kan behålla bakslagskraften om lämpliga åtgärder vidtagits.

Om sågklingan kommer i kläm eller sågning avbryts av annan orsak, släpp Till-Från strömställaren och håll kvar sågen i arbetsstycket tills sågklingan stannat fullständigt. Försök aldrig dra sågen ur arbetsstycket eller bakåt så länge sågklingan roterar eller risk finns för att bakslag uppstår. Lokalisera orsaken för inklämd sågklinga och avhjälp felet.

Vill du återstarta en såg som sitter i arbetsstycket centrera sågklingan i sågsparret och kontrollera att sågklingans tänder inte hakat upp sig i arbetsstycket. Är sågklingan inklämd kan den gå upp ur arbetsstycket eller orsaka bakslag vid återstart av sågen.

Stöd stora skivor för att reducera risken för ett bakslag till följd av inklämd sågklinga. Stora och tunga skivor kan böjas ut. Skivorna måste därför stödas på båda sidorna både i närheten av sågsparret och vid skivans kanter.

Använd inte oskarpa eller skadade sågklingor. Sågklingor med oskarpa eller fel inriktade tänder medför till följd av ett för smalt sågspår ökad friktion, inklämning av sågklingan och bakslag.

Före sågning påbörjas dra stadigt fast inställningsanordningarna för sågdjup och snittvinkel. Om inställningarna förändras under sågning kan sågklingan klämmas fast och orsaka bakslag.

Var speciellt försiktig vid „insågning“ på ett dolt område, t.ex. i en färdig vägg. Den inträngande sågklingan kan blockera vid sågning i dolda objekt och förorsaka bakslag.

Funktion för den skyddshuven

Kontrollera innan sågen används att klingskyddet stängs felfritt. Sågen får inte tas i bruk om klingskyddet inte är fritt rörligt och inte stängs omedelbart. Kläm eller bind inte fast det undre klingskyddet i öppet läge. Om sågen av misstag faller ner på golvet kan det undre klingskyddet deformeras. Kontrollera att klingskyddet är fritt rörligt och att det vid alla snittvinklar och sågdjup varken berör sågklingan eller andra delar.

Kontrollera tillståndet och funktionen på fjädern till klingskyddet. Låt sågen repareras innan den tas i bruk om klingskyddet eller fjädern inte fungerar felfritt. Skadade delar, klibbiga avlagringar eller anhopning av spån kan hindra det undre klingskyddets rörelse.

Säkra sågens styrplatta mot förskjutning vid „insågning“ som inte utförs lodrätt. En förskjutning åt sidan kan medföra att sågklingan kläms fast och leder till bakslag.

Se till att sågklingan skyddas av klingskyddet när sågen läggs bort på arbetsbänk eller golv. En oskyddad och roterande sågklinga förflyttar sågen bakåt och kan säga allt som är i vägen. Beakta även sågens eftergång.

Klyvknivens funktion

Använd endast den klyvkniv som passar till aktuell sågklinga. Klyvkniven måste vara tjockare än sågklingans stamblad men tunnare än tandbredden på sågklingan.

Justera klyvkniven enligt beskrivning i bruksanvisningen. Fel tjocklek, läge och inriktning kan vara orsaken till att klyvkniven inte effektivt förhindrar ett bakslag.

Använd alltid klyvkilen även vid sänksnitt. Klyvkilen trycks uppåt vid sänkningen och fjädrar in i sågsparret efter nedsänkningen, när man skjuter sågen framåt.

För att klyvkniven ska fungera måste den sitta i sågsparret. Vid korta snitt kan klyvkniven inte förhindra ett bakslag.

Sågen får inte användas med deformerad klyvkniv. Redan en liten störning kan bromsa upp klingskyddets stängning.

Bär hörselskydd. Bullerbelastning kan orsaka hörselskador.

Använd skyddsutrustning. Använd alltid skyddsglasögon när du använder maskinen. Som skyddsutrustning rekommenderar vi t.ex. en dammskyddsmask, skyddshandskar, stabila och halksäkra skor, hjälm och hörselskydd.

Damm som uppkommer vid arbeten med denna maskin kan vara skadligt för hälsan (t.ex. vid bearbetning av ek eller bok, sten, färg, som kan innehålla bly eller andra skadliga kemikalier) om de når kroppen. Använd ett utsugningssystem och bär skyddsmask. Avlägsna kvarblivande damm med t.ex. en dammsugare.

Drag alltid ur kontakten när du utför arbeten på maskinen.

Maskinen skall vara fränkopplad innan den anslutes till väggurtag.

Nätkabeln skall alltid hållas ifrån arbetsområdet. Lägg kabeln bakåt i förhållande till arbetsriktningen.

Bryt alltid strömmen vid ombyggnads- och servicearbeten.

Sågklinga, vars värden inte överensstämmer med data i denna bruksanvisning, får ej användas.

Slipskivor får inte användas!

Vid bearbetning av aluminium ska av säkerhetsskäl följande åtgärder vidtas:

- Förkoppla en felström-skyddsbrytare (FI, RCD, PRCD).
- Anslut maskinen till en lämplig utsugningsutrustning.
- Rengör maskinen regelbundet från dammavlagringar i motorhuset och skyddsskåpan.
- Aluminium får endast sägas med för detta ändamål godkända sågblad.
- När du säger skivor och plattor krävs smörjning med fotogen. Profiler med tunna väggar (upp till 3 mm) kan bearbetas utan smörjning.

ANVÄND MASKINEN ENLIGT ANVISNINGARNA

Cirkelsågen kan användas för att säga massivt trä, limmat trä, träliknande material, aluminiumprofiler, mjukt metall och plast.

Maskinen får endast användas för angiven tillämpning.



CE-FÖRSÄKRAN

Vi intygar och ansvarar för, att denna produkt överensstämmer med följande norm och dokument EN 60745, EN 55014-1, EN 55014-2, enl. bestämmelser och riktlinjerna 2006/42/EG, 2004/108/EEG



Winnenden, 2010-10-25

Rainer Kumpf
Manager Product Development
Befullmäktigad att sammanställa teknisk
dokumentation.

NÄTANSLUTNING

Får endast anslutas till 1-fas växelström och till den spänning som anges på dataskylten. Anslutning kan även ske till eluttag utan skyddskontakt, eftersom konstruktionen motsvarar skyddsklass II.

SKÖTSEL

Se till att motorhöljets luftslitsar är rena.

Rengör endast med en torr duk. Många rengöringsmedel skadar plast och andra isolerade delar. Håll apparaten ren och torr, fri från olja och fett.

Använd endast AEG tillbehör och reservdelar. Reservdelar vars utbyte ej beskrivs byts bäst av AEG auktoriserad serviceverkstad (se broschyr Garanti/Kundtjänstadresser).

Vid behov av sprängskiss, kan en sådan, genom att uppgä maskinens art. nr. (som finns på typskylten) erhållas från: AEG Elektrowerkzeuge, Max-Eyth-Straße 10, D-71364 Winnenden, Germany.

SYMBOLER



Läs instruktionen noga innan du startar maskinen.



OBSERVERA! VARNING! FARA!



Det damm som bildas under arbetets gång är ofta hälsofarligt och det ska inte komma in i kroppen. Bär därför lämplig skyddsmask.



Använd alltid skyddsglasögon.



Drag alltid ur kontakten när du utför arbeten på maskinen.



Tillbehör - Ingår ej i leveransomfånget, erhålles som tillbehör.



Massivt trä (hårt, mjukt), spån- eller hårdfiberskivor, sandwichskivor, lamellträ, fanérskivor och skivor med beläggning



Plast, fiberarmerad plast (GfK), papper och väv, akrylglas



Gips- och cementbundna fiberskivor



Aluminiumskivor och -profiler upp till 15 mm



Elektriska verktyg får inte kastas i hushållsoporna! Enligt direktivet 2002/96/EG som avser äldre elektrisk och elektronisk utrustning och dess tillämpning enligt nationell lagstiftning ska uttjänta elektriska verktyg sorteras separat och lämnas till miljövänlig återvinning.

TS 55 E

Nimellinen teho	1500 W
Kuormittamaton kierrosluku	5500 min ⁻¹
Sahanterän ø x reiän ø	160 x 20 mm
Leikkaussyvyys 45°	39 mm
Leikkaussyvyys 90°	55 mm
Paino ilman verkkojohtoa	5,4 kg

Melunpäästö-/tärinätiedot

Mitta-arvot määritetty EN 60 745 mukaan.

Koneen tyyppinen A-luokitettu melutaso:

Melutaso (K = 3 dB(A)) 93 dB (A)

Äänenvoimakkuus (K = 3 dB(A)) 104 dB (A)

Käytä kuulussuojaimia!

Värähtelyn yhteisarvot (kolmen suunnan vektorisumma) mitattuna EN 60745 mukaan.

Värähtelyemissioarvo a_w 4,7 m/s²

Epävarmuus K = 1,5 m/s²

VAROITUS

Näissä ohjeissa mainittu värähtelytaso on mitattu EN 60745 -standardin mukaisella mittausmenetelmällä ja sitä voidaan käyttää sähkötyökalujen vertaamiseen. Sitä voidaan käyttää myös värähtelyrasituksen väliaikaiseen arvioointiin.

Mainittu värähtelytaso edustaa sähkötyökalun pääasiallista käyttöä. Jos sähkötyökalua kuitenkin käytetään muihin tehtäviin, poikkeavin työkaluun tai riittämättömästi huoltaen, värähtelytaso voi olla erilainen. Se voi korottaa värähtelyrasitusta koko työajan osalta.

Tarkan värähtelyrasituksen toteamiseen tulee ottaa huomioon aika, jona laite on kytketty pois tai on kylläkin päällä, mutta ei käytössä. Se voi pienentää värähtelyrasitusta koko työajan osalta.

Määrittele lisäturvatoimenpiteitä käyttäjän suojaamiseksi värinöiden vaikutukselta, kuten esimerkiksi: sähkötyökalujen ja käyttötyökalujen huolto, käsien lämpiminä pitäminen, työväiheidin organisaatio.

VAROITUS! Lue kaikki, myös oheistetussa esitteessä annetut turvallisuusmääräykset ja käyttöohjeet.

Turvallisuusohjeiden noudattamisen laiminlyönti saattaa johtaa sähköiskuun, tulipaloon ja/tai vakavaan loukkaantumiseen.

Säilytä kaikki turvallisuus- ja muut ohjeet tulevaisuutta varten.

TURVALLISUUSOHJEET**VAARA**

Pidä kädet loitolla sahausalueelta ja sahanterästä. Pidä toinen käsi lisäkavassa tai moottorikotelossa. Kun molemmat kädet pitelevät pyörösahaa, sahanterä ei pysty vahingoittamaan niitä.

Älä pane käsiä työkappaleen alle. Suojus ei pysty suojaamaan käsiä sahanterältä, jos ne ovat työkappaleen alapuolella.

Aseta leikkaussyvyys työkappaleen paksuuden mukaan. Työkappaleen alla tulisi terää näkyä korkeintaan täysi hammaskorkeus.

Älä koskaan pidä sahattavaa työkappaletta kädessä tai jalkojen päällä. Tue työkappaletta tukevaa alustaa vasten. On tärkeää kiinnittää työkappale hyvin, jotta kosketus kehoon, sahanterän jääminen puristukseen ja hallinnan menettäminen estyisi.

Pitele laitetta vain eristetyistä tarttumapinnoista, kun suoritat sellaisia töitä, joissa leikkaustyökalu saattaa osua pilossa oleviin sähköjohtoihin tai omaan liitäntäjohtoon. Leikkaustyökalun yhteys jännitteelliseen johtoon saattaa tehdä laitteen metalliset osat jännitteellisiksi ja aiheuttaa sähköiskun.

Käytä aina oikean kokoisia sahanteriä sopivalla kiinnitysreiallä (timantinmuotoinen tai pyöreä). Tämä parantaa sahausarkkuutta ja pienentää riskin, että sahanterä jää puristukseen.

Käytä aina oikean kokoisia ja kiinnityslaippaan sopivia sahanteriä (timantinmuotoinen tai pyöreä). Sahanterät, jotka eivät sovi sahan asennusosiin pyörivät epäkeskeisesti ja johtavat sahan hallinnan menettämiseen.

Älä koskaan käytä vaurioituneita sahanterän kiinnityslaattoja tai -pulttia. Sahanterän kiinnityslaatat ja -pultit on suunniteltu erityisesti sahasi varten, antaen parasta mahdollista tehokkuutta ja toimintavarmuutta.

Takaiskun syy ja miten sen estät:

- takaisku on äkillinen reaktio, joka johtuu kiinni tarttuneesta, puristukseen jääneestä tai väärin suunnatusta sahanterästä, joka saa hallitsemattoman sahan ponnahtelemaan ylös työkappaleesta käyttäjää kohti;

- jos sahanterä tarttuu tai jää puristukseen sulkeutuvaan sahausuraan, sitä jarrutetaan voimakkaasti ja moottorin voima saattaa sahan ponnahtamaan taaksepäin käyttäjää kohti;

- jos sahanterä kääntyy tai suunnataan väärin sahausurassa, saattavat sahanterän takareunan hampaat tarttua työkappaleen yläpintaan, jolloin sahanterä kiipeää ylös urasta ja saha hypähtää käyttäjää kohti.

Takaisku johtuu sahan väärinkäytöstä tai sahan käytöstä väärään tarkoitukseen tai väärissä olosuhteissa. Se voidaan estää sopivin varotoimin, joita selostetaan seuraavassa.

**Suo**

Pidä sahaa tukevasti kaksin käsin ja saata käsivarret asentoon, jossa voit vastustaa takaiskun voimaa. Pidä kehosi jommallakummalla puolella sahanterää, mutta ei linjalla sahanterän kanssa. Takaiskussa sinkoutuu pyörösaha taaksepäin, käyttäjä voi kuitenkin hallita takaiskuvoimia, jos vain noudatetaan määrättyjä varotoimia.

Jos sahanterä jää puristukseen tai jos sahaus keskeytetään muusta syystä, tulee päästää ote käynnistyskytkimestä ja pitää saha paikoillaan, kunnes terä on pysähtynyt täysin. Älä koskaan koeta vetää sahanterää ylös työkappaleesta tai taaksepäin niin kauan kuin sahanterä pyörii, se saattaa johtaa takaiskuun. Etsi syy sahanterän puristukseen ja poista se sopivin toimenpitein.

Kun tahdot käynnistää uudelleen sahan, joka on työkappaleessa, keskitä sahanterä sahausurassa ja tarkista, että hampaat eivät ole tarttuneet työkappaleeseen. Jos sahanterä on puristuksessa, se saattaa kivetä ylös työkappaleesta tai aiheuttaa takaiskun, kun saha käynnistetään.

Tue isot levyt, sahanterän puristuksen aiheuttaman takaiskuvaran minimoimiseksi. Suurilla levyillä on taipumus taipua oman painonsa takia. Levyt tulee tukea molemmilta puolilta, sekä sahanterän vierestä, että reunoista.

Älä käytä tylsiä tai vaurioituneita sahanterä. Sahanterät, joissa on tylsät tai väärin suunnatut hampaat tekevät liian ahtaan sahausuran, mikä johtaa liialliseen kitkaan, sahanterän puristukseen ja takaiskuun.

Kiristä sahausvyydyden ja leikkauskulman säätöruuvit kiinni. Jos muutat säätöjä sahausajan aikana, saattaa se johtaa sahanterän puristukseen ja takaiskuun.

Ole erityisen varovainen kun sahaat ”opposahauksen” peitossa olevaan alueeseen, esim. seinään. Sahanterä saattaa upotessaan osua piilossa oleviin kohteisiin, jotka aiheuttavat takaiskun.

Alemman suojakuvun toiminta

Tarkista ennen jokaista käyttöä, että alempi suojus sulkeutuu moitteettomasti. Älä käytä sahaa, jos alempi suojus ei liiku vapaasti ja sulkeudu välittömästi. Älä koskaan purista tai sido alemmaa suojusta auki-asentoon. Jos saha tahattomasti putoaa lattiaan, saattaa alempi suojus taipua. Varmista, että suojus liikkuu vapaasti, eikä kosketa sahanterää tai muita osia missään sahauskulmassa.

Tarkista alemman suojuksen jousen toiminta. Anna huoltaa saha, jos alempi suojus tai jousi ei toimi moitteettomasti. Alempi suojus saattaa toimia jäykkäliikkeisesti johtuen vioittuneista osista, tahmeista kerrostumista tai lastukasaantumista.

Varmista ”opposahauksessa” muussa kuin 90 asteen kulmassa, ettei pohjalevy pääse liikkumaan sivuttain. Sivuttainen liike saattaa johtaa sahanterän puristumiseen ja siten takaiskuun.

Älä aseta sahaa työpenkille tai lattialle, ellei alempi suojus peitä sahanterää. Suojaamaton jälkikäyvä sahanterä kuljettaa sahataa taaksepäin ja sahata kaiken, mikä osuu sen tielle. Ota huomioon, että kestää vähän aikaa ennen kuin sahanterä pysähtyy, virran katkaisun jälkeen.

Halkaisukiilan toiminta

Käytä halkaisukiilaa, joka sopii käytössä olevalle sahanterälle. Halkaisukiilan on oltava sahanterän runkoa paksumpi, mutta hammasleyveyttä kapeampi.

Säädä halkaisukiilaa käyttöohjeessa selostetulla tavalla. Väärä paksuus, asento tai suuntaus saattaa johtaa siihen, että halkaisukiila toimii tehottomasti takaiskun estämiseksi.

Käytä aina halkaisukiilaa myös ”upotussahauksessa”. Halkaisukiilaa painetaan upotuksessa ylhäältä päin ja se ponnahtaa upotuksen jälkeen pyörösaha siirrettäessä itsestään sahausrakoon.

Halkaisukiilan tulee sijaita sahausurassa, voidakseen toimia. Lyhyissä sahausissa ei halkaisukiila auta takaiskun estämisessä.

Älä käytä sahaa, jos halkaisukiila on taipunut. Pienikin häiriö saattaa hidastaa suojuksen sulkeutumista.

Käytä korvasuojia. Altistuminen melulle voi vahingoittaa kuuloa.

Käytä suojaruosteita. Käytä aina suojaruosteita käyttäessäsi konetta. Suosittelemme suojaruosteiden käyttöä, näihin kuuluvat pölysuojanaamarit, työkasineet, tukevat, luistamattomat jalkineet, kypärä ja kuulosuojukset.

Työstössä syntyvä pöly saattaa olla terveydelle vahingollista (esimerkiksi tammii, pyökki, kivi, ljyijä tai muita myrkyllisiä kemikaaleja sisältävä maali), joten sen koskettaminen tai hengittäminen tulisi välttää. Liitä kone koheidumjärjestelmään ja käytä sopivaa pölysuojaa kasvoilla. Poista laskeutunut pöly huolellisesti esimerkiksi pölynimurilla.

Irrota aina pistotulppa seinäkoskettimesta ennen koneeseen tehtäviä toimenpiteitä.

Varmista, että kone on sammutettu ennen kytkemistä sähköverkkoon.

Pidä sähköjohto poissa koneen käyttöalueelta. Siirrä se aina taaksesi.

Tarkista ennen jokaista käyttökertaa, ettei laitteessa, liitäntäjohdossa, jatkojohdossa ja pistotulppassa ole vaurioita eikä niissä ole tapahtunut muutoksia. Viallisia osia saa korjata vain alan ammattilainen..

Sahanterä, joiden tunnustetiedot erivät tästä käyttöohjeesta, ei saa käyttää.

Ei saa käyttää hiomalaikkoja!

Alumiinilla käsiteltäessä on turvallisuussyistä suoritettava seuraavat toimenpiteet:

- Käytä vikavirtasuojajykintä (FI, RCD, PRCD).
- Yhdistä kone sopivaan imulaitteeseen.
- Puhdista säännöllisesti pöly koneen kotelosta ja suojakuvusta.
- Alumiinilla saa sahata vain erityisesti sille tarkoitetuilla sahanterillä.
- Levyjä sahattaessa ne on voideltava paloöljyllä, ohuita profiileja (kork. 3 mm) voi käsitellä ilman voitelua.

TARKOITUKSEN MUKAINEN KÄYTTÖ

Pyörösaha saa käyttää umpipuun, liimatun puun, puunkaltaisten raaka-ainesten, alumiiniprofiileihin, muu kuin rautametalli ja muovien sahaamiseen.

Älä käytä tuotetta ohjeiden vastaisesti.



Suo

TODISTUS CE-STANDARDINMUKAISUUDESTA

Todistamme täten ja vastaamme yksin siitä, että tämä tuote on allalueteltujen standardien ja standardoimisasiakirjojen vaatimusten mukainen. EN 60745, EN 55014-1, EN 55014-2, seuraavien sääntöjen mukaisesti: 2006/42/EY, 2004/108/ETY



Winnenden, 2010-10-25

Rainer Kumpf
Manager Product Development
Valtuutettu kokoamaan tekniset dokumentit.

VERKKOLIITÄNTÄ



Yhdistä ainoastaan yksivaiheiseen vaihtovirtaan, jonka verkkojännite on sama kuin tyyppikilvessä ilmoitettu. Myös liittäminen maadoittamattomiin pistorasioihin on mahdollista, sillä rakenne vastaa turvallisuusluokkaa II.

HUOLTO

Pidä moottorin ilmanottoaukot puhtaina.

Puhdista ainoastaan kuivalla rievulla. Tietyt puhdistusaineet ja liuottimet ovat vahingollisia muoviosille ja eristysaineille. Pidä kädensijaa puhtaana ja kuivana sekä vapaana öljystä ja rasvasta. Käytä vain AEG:n lisälaitteita ja varaosia. Käytä ammattitaitoisten AEG-huoltosopimusliikkeiden palveluja muiden kuin käyttöohjeessa kuvattujen osien vaihdossa. (esite takuu/huoltoliikeluettelo).

Tarpeen vaatiessa voit pyytää lähettämään laitteen kokoonpanopiirustuksen ilmoittamalla arvokilven kymmennumeroisen numeron seuraavasta osoitteesta: AEG Elektrowerkezeuge, Max-Eyth-Straße 10, D-71364 Winnenden, Germany.

SYMBOLIT



Lue käyttöohjeet huolellisesti, ennen koneen käynnistämistä.



HUOMIO! VAROITUS! VAARA!



Koneen käytöstä aiheutuva pöly ja jäte voi olla haitallista terveydelle eikä sen vuoksi tulisi päästä kosketukseen ihon kanssa. Koneella työskennellessä on käytettävä sopivaa suojainta.



Käytä laitteella työskennellessäsi aina suojalaseja.



Irrota aina pistotulppa seinäkoskettimesta ennen koneeseen tehtäviä toimenpiteitä.



Lisälaitte - Ei sisälly vakiovarustukseen, saatavana lisätarvikkeena.



Puu (kova, pehmeä), lastu- ja kuitulevyt, liimapuu, rimalevyt, vaneroidut ja päällystetyt levyt



Muovit, lujitemuovit, paperi ja kangas, akryylilasi



Kipsi- ja betonikuitulevyt



15 mm:n alumiinilevyt ja -profiilit



Älä hävitä sähköjokalua tavallisen kotitalousjätteen mukana! Vanhoja sähkö- ja elektroniikkalaitteita koskevan EU-direktiivin 2002/96/ETY ja sen maakohtaisten sovellusten mukaisesti käytetyt sähköjokalut on toimitettava ongelmajätteen keräyspisteeseen ja ohjattava ympäristöystävälliseen kierrätykseen.



Suo

TS 55 E

Όνομαστική ισχύς.....	1500	W
Αριθμός στροφών χωρίς φορτίο.....	5500	min ⁻¹
Διάμετρος λεπίδας πριονιού w		
διάμετρος διάτρησης		
.....	160 x 20	mm
Βάθος τομής στους 45°.....	39	mm
Βάθος τομής στους 90°.....	55	mm
Βάρος χωρίς καλώδιο.....	5,4	kg

Πληροφορίες θορύβου/δονήσεων

Τιμές μέτρησης εξακριβωμένες κατά EN 60 745.
 Η σύμφωνα με την καμπύλη A εκτιμηθείσα στάθμη θορύβου του μηχανήματος αναφέρεται σε:
 Στάθμη ηχητικής πίεσης (K = 3 dB(A))..... 93 dB (A)
 Στάθμη ηχητικής ισχύος (K = 3 dB(A))..... 104 dB (A)
 Φοράτε προστασία ακοής (ωτασπίδες)!

Υλικές τιμές κραδασμών (άθροισμα διανυσμάτων τριών διευθύνσεων) εξακριβώθηκαν σύμφωνα με τα πρότυπα EN 60745.

Τιμή εκπομπής δονήσεων a_h..... 4,7 m/s²
 Ανασφάλεια K =..... 1,5 m/s²



ΠΡΟΕΙΔΟΠΟΙΗΣΗ

Το αναφερόμενο σ' αυτές τις οδηγίες επίπεδο δονήσεων έχει μετρηθεί με μια τυποποιημένη σύμφωνα με το EN 60745 μέθοδο μέτρησης και μπορεί να χρησιμοποιηθεί για τη σύγκριση των ηλεκτρικών εργαλείων μεταξύ τους. Αυτό είναι επίσης κατάλληλο για μια προσωρινή εκτίμηση της επιβάρυνση των δονήσεων.

Το αναφερόμενο επίπεδο δονήσεων αντιπροσωπεύει τις κύριες χρήσεις του ηλεκτρικού εργαλείου. Εάν όμως το ηλεκτρικό χρησιμοποιείται σε άλλες χρήσεις, με διαφορετικά εργαλεία εφαρμογής ή ανεπαρκή συντήρηση, μπορεί να υπάρξει απόκλιση του επιπέδου δονήσεων. Αυτό μπορεί να αυξήσει σημαντικά την επιβάρυνση των δονήσεων για τη συνολική διάρκεια της εργασίας.

Για μια ακριβή εκτίμηση της επιβάρυνσης των δονήσεων οφείλουν επίσης να λαμβάνονται υπόψη οι χρόνοι, στους οποίους η συσκευή είναι απενεργοποιημένη ή είναι μεν ενεργοποιημένη αλλά δεν χρησιμοποιείται πραγματικά. Αυτό μπορεί να μειώσει σημαντικά την επιβάρυνση των δονήσεων για τη συνολική διάρκεια της εργασίας.

Καθορίζετε πρόσθετα μέτρα ασφαλείας για την προστασία του χειριστή από την επίδραση των δονήσεων όπως για παράδειγμα: Συντήρηση του ηλεκτρικού εργαλείου και των εργαλείων εφαρμογής, διατηρείτε ζεστά τα χέρια, οργάνωση των διαδικασιών εργασίας.

⚠ ΠΡΟΕΙΔΟΠΟΙΗΣΗ! Διαβάστε όλες τις Υποδείξεις ασφαλείας και τις Οδηγίες, και αυτές στο επισυναπτόμενο φυλλάδιο. Αμέλειες κατά την τήρηση των προειδοποιητικών υποδείξεων μπορεί να προκαλέσουν ηλεκτροπληξία, κίνδυνο πυρκαγιάς ή/και σοβαρούς τραυματισμούς.
Φυλάξτε όλες τις προειδοποιητικές υποδείξεις και οδηγίες για κάθε μελλοντική χρήση.

ΕΙΔΙΚΕΣ ΥΠΟΔΕΙΞΕΙΣ ΑΣΦΑΛΕΙΑΣ

⚠ ΚΙΝΔΥΝΟΣ:

Μη βάζετε τα χέρια σας στην περιοχή του πριονιού ή στον πριονόδισκο. Κρατάτε με το άλλο [το δεύτερο] χέρι σας την πρόσθετη λαβή ή το περίβλημα του κινητήρα.

Όταν κρατάτε το δισκοπρίονο και με τα δυο σας χέρια τότε ο πριονόδισκος δεν μπορεί να σας τραυματίσει.

Μη βάζετε τα χέρια σας κάτω από το υπό κατεργασία τεμάχιο. Ο προφυλακτήρας δεν μπορεί να τα προστατέψει από τον πριονόδισκο όταν αυτά βρίσκονται κάτω από το υπό κατεργασία τεμάχιο.

Προσαρμόστε το βάθος κοπής στο πάχος του υπό κατεργασία τεμαχίου. Κάτω το υπό κατεργασία τεμάχιο πρέπει να φαίνεται λιγότερο από ένα ολόκληρο δόντι του πριονόδισκου.

Μη συγκρατείτε ποτέ το υπό κατεργασία τεμάχιο με το χέρι και μην το ακουμπάτε ποτέ στα πόδια [τα σκέλη] σας. Ασφαλίστε το υπό κατεργασία τεμάχιο επάνω σε μια

σταθερή επιφάνεια. Το καλό στερέωμα του υπό κατεργασία τεμαχίου είναι πολύ σημαντικό επειδή έτσι μειώνεται στο ελάχιστο ο κίνδυνος της επαφής του με το σώμα σας, το μπλοκάρισμα του πριονόδισκου ή η απώλεια του ελέγχου του.

Να πιάνετε τη συσκευή στις μονωμένες χειρολαβές όταν εκτελείτε εργασίες κατά τις οποίες τα κοπτικά εργαλεία θα μπορούσαν να πέσουν επάνω σε κρυμμένα καλώδια ρεύματος ή στο δικό της καλώδιο. Η επαφή των κοπτικών εργαλείων με αγωγό τροφοδοσίας τάσης μπορεί να θέσει τα μεταλλικά τμήματα της συσκευής υπ' όταση και να προκαλέσει ηλεκτροπληξία.

Όταν διεξάγετε διαμήκεις [μακρουλές] κοπές χρησιμοποιείτε πάντοτε έναν οδηγό κοπής ή μια διάταξη ευθυγράμμισης της τομής. Μ' αυτόν τον τρόπο βελτιώνεται η ακρίβεια της τομής και ελαττώνονται οι πιθανότητες σφηνώματος του πριονόδισκου

Χρησιμοποιείτε πάντοτε πριονόδισκους με το σωστό μέγεθος και με κατάλληλη τρύπα υποδοχής (π. χ. με στρογγυλή ή αστεροειδή τρύπα). Πριονόδισκοι που δεν ταιριάζουν με τα εξαρτήματα συναρμολόγησης του πριονιού περιστρέφονται ασύμμετρα και οδηγούν στην απώλεια του ελέγχου του μηχανήματος.

Μη χρησιμοποιήσετε ποτέ χαλασμένους ή ακατάλληλους πριονόδισκους, ακατάλληλες ροδέλες ή βίδες. Οι ροδέλες και οι βίδες κατασκευάζονται ειδικά για τον εκάστοτε πριονόδισκο και εξασφαλίζουν έτσι τη μέγιστη δυνατή απόδοση και ασφάλεια λειτουργίας.

Ατίες και αποφυγή κλοστήματος:

- το κλότσημα είναι η απροσδόκητη αντίδραση του πριονόδικου όταν αυτός „σκοντίζει” ή μπλοκάρει ή όταν είναι λάθος συναρμολογημένος· αυτό προκαλεί το ανασήκωμα του ανεξέλεγκτου πλέον πριονιού από το υπό καταργασία τεμάχιο και στην κίνησή του με κατεύθυνση προς το χειριστή·

-όταν ο πριονόδικος ή σφηνώνει στη σχισμή πριονίσματος όταν αυτή κλείνει, τότε αυτός μπλοκάρει και η δύναμη του κινητήρα „κλότσο” το μηχανήμα με κατεύθυνση προς το χειριστή·

- όταν ο πριονόδικος στρεβλώσει ή όταν είναι λάθος συναρμολογημένος, τότε δεν αποκλείεται τα δόντια στην πίσω ακμή του πριονόδικου να σφηνωθούν στην επιφάνεια του υπό καταργασία τεμαχίου κι έτσι ο πριονόδικος να πεταχτεί έξω από το υπό καταργασία τεμάχιο και το πριόνι να εκτιναχτεί με κατεύθυνση προς ο χειριστή·

Το κλότσημα αποτελεί συνέπεια ενός εσφαλμένου ή ελλιπού χειρισμού του πριονιού. Μπορεί να αποφευχθεί με κατάλληλα προληπτικά μέτρα, όπως αυτά που περιγράφονται παρακάτω.

Να κρατάτε το πριόνι και με τα δυο σας χέρια και να δίνετε στους βραχιόνες σας μια θέση, στην οποία θα μπορέσετε να αντιμετωπίσετε τυχόν αντιδραστικές δυνάμεις [κλότσηματα] του μηχανήματος. Να στέκεστε πάντα δίπλα από τον πριονόδισκο και ποτέ στην ίδια γραμμή μ' αυτόν. Σε περίπτωση κλοστήματος το διακοπρίονο μπορεί μιν να εκτιναχτεί προς τα πίσω, όμως, όταν έχουν ληφθεί κατάλληλα προληπτικά μέτρα, ο χειριστής μπορεί να αντιμετωπίσει με επιτυχία το κλότσημα.

Σε περίπτωση που ο πριονόδικος μπλοκάρει ή το πριόνισμα διακοπεί από οποιοδήποτε άλλη αιτία, τότε αφήστε το διακόπτη ON/OFF ελεύθερο και κρατήστε το πριόνι με ηρεμία μέσα στο υλικό μέχρι να ακινητοποιηθεί εντελώς ο πριονόδικος. Μην προσπαθήσετε ποτέ να απομακρύνετε το πριόνι από το υπό καταργασία τεμάχιο ή να το τραβήξετε προς τα πίσω όσο ο πριονόδικος κινείται ή όταν υπάρχει ακόμη κίνδυνος κλοστήματος. Εξакριβώςτε την αιτία του μπλοκαρισμένου πριονόδικου και εξουδετερώστε την με τα κατάλληλα μέτρα.

Όταν θελήσετε να εκκινήσετε πάλι ένα ακινητοποιημένο πριόνι του οποίου ο πριονόδικος βρίσκεται μέσα στο υπό καταργασία τεμάχιο, ευθυγραμμίστε τον πριονόδισκο μέσα στη σχισμή κοπής κι ελέγξτε, μήπως τα δόντια του είναι σφηνωμένα μέσα στο υπό καταργασία τεμάχιο. Όταν ο πριονόδικος είναι μπλοκαρισμένος μπορεί να πεταχτεί έξω από το υπό καταργασία τεμάχιο ή να κλοτηήσει όταν το πριόνι τεθεί πάλι σε λειτουργία.

Μεγάλες υπό καταργασία πλάκες πρέπει να υποστηρίζονται για να μειωθεί ο κίνδυνος κλοστήματος από έναν τυχόν σφηνωμένο πριονόδισκο. Οι μεγάλες πλάκες μπορεί να λυγίσουν από το ίδιο τους το βάρος. Οι πλάκες πρέπει να υποστηρίζονται και στις δυο πλευρές τους, και κοντά στον πριονόδισκο και στα άκρα τους.

Μη χρησιμοποιείτε αμβλείς ή χαλασμένους πριονόδικους. Πριονόδισκοι με μη κοφτερά ή με λάθος ευθυγραμμισμένα δόντια προκαλούν, εξαιτίας της πολύ στενής σχισμής πριονίσματος, αύξηση της τριβής, σφηνώματα του πριονόδικου και κλότσημα.

Πριν το πριόνισμα σφίξτε καλά τις διατάξεις ρύθμισης του βάθους και της γωνίας κοπής. Σε περίπτωση που οι ρυθμίσεις μεταβληθούν κατά τη διάρκεια του πριονίσματος μπορεί να μπλοκάρει ο πριονόδικος και να οδηγήσει έτσι σε κλότσημα.

Προσέχετε ιδιαίτερα όταν διεξάγετε „κοπές βύθισης” σε

μη ορατούς τομείς, π. χ. σ' έναν ήδη υπάρχοντα τοίχο. Ο βυθιζόμενος πριονόδικος μπορεί να μπλοκάρει σε μη ορατά αντικείμενα και να οδηγήσει έτσι σε κλότσημα.

Λειτουργία του κάτω καλύμματος προστασίας

Ελέγχετε πριν από κάθε χρήση αν κλείνει άψοφα ο κάτω προφυλακτήρας. Μη χρησιμοποιήσετε το πριόνι όταν ο κάτω προφυλακτήρας δεν κινείται ελεύθερα και δεν κλείνει αμέσως. Μη σφηνώνετε και μη δένετε ποτέ τον κάτω προφυλακτήρα για να παραμείνει ανοιχτός. Ο κάτω προφυλακτήρας μπορεί να στρεβλωθεί σε περίπτωση που το πριόνι πέσει αθέλητα στο έδαφος. Βεβαιωθείτε ότι ο προφυλακτήρας κινείται ελεύθερα καθώς και ότι δεν ενοχλούν τον πριονόδισκο ή άλλα τμήματα του πριονιού, σε οποιαδήποτε βάρδος ή γωνία κοπής κι αν ρυθμιστεί.

Ελέγξτε τη λειτουργία του ελατηρίου του κάτω προφυλακτήρα. Δώστε το μηχανήμα για συντήρηση πριν το χρησιμοποιήσετε σε περίπτωση που ο κάτω προφυλακτήρας ή/και το ελατήριο δε λειτουργούν άψοφα. Χαλασμένα εξαρτήματα, κολλώδη ιζήματα ή συσσωρευμένες γρεζιών ή ροκανισμένων επιβραδύνουν την κίνηση του προφυλακτήρα.

Όταν διεξάγετε μια μη ορθογώνια „Κοπή βύθισης” ασφαλίστε την πλάκα οδήγησης από μια ενδεχόμενη μετατόπιση. Μια τυχόν μετατόπιση προς τα πλάγια μπορεί να οδηγήσει σε μπλοκάρισμα του πριονόδικου και σε κλότσημα του μηχανήματος.

Μην αποδέστε το πριόνι επάνω στο τραπέζι εργασίας ή στο δάπεδο χωρίς ο κάτω προφυλακτήρας να καλύπτει τον πριονόδισκο. Ένας ακάλυπτος πριονόδικος που συνεχίζει να περιστρέφεται, κινεί το πριόνι με φορά αντίθετη της φοράς κοπής και πριονίζει ότι συναντήσει στο δρόμο του. Λάβετε υπόψη σας το χρόνο που χρειάζεται μέχρι να ακινητοποιηθεί εντελώς το πριόνι [χρόνος ιχνηλασίας].

Λειτουργία της σφήνας διακένου

Χρησιμοποιείτε πάντοτε την κατάλληλη σφήνα τον εκάστοτε χρησιμοποιούμενο πριονόδισκο. Η σφήνα πρέπει να είναι χαυτήρη από το συμπαγές τμήμα του πριονόδικου και λεπτότερη από το πλάτος της οδόντωσης του πριονόδικου.

Ρυθμίξτε τη σφήνα όπως περιγράφεται στις οδηγίες χειρισμού. Λάθος πάχος, θέση ή ευθυγράμμιση της σφήνας μπορεί να γίνουν αιτία η σφήνα να μην εμποδίζει αποτελεσματικά το κλότσημα.

Χρησιμοποιείτε πάντοτε τη σφήνα διακένου, επίσης και στο „πριόνισμα με βύθισμα”. Η σφήνα διακένου κατά το βύθισμα στρώχεται προς τα επάνω και περνά μετά το βύθισμα στην προώθηση του διακοπρίονου από μόνη της μέσα στη σχισμή πριονίσματος.

Η σφήνα πρέπει να βρίσκεται μέσα στη σχισμή πριονίσματος για να μπορέσει να δράσει αποτελεσματικά. Στις σύντομες κοπές η σφήνα παραμένει αδρανής και δεν είναι σε θέση να εμποδίσει ένα ενδεχόμενο κλότσημα.

Μη χρησιμοποιήσετε το πριόνι όταν η σφήνα είναι στρεβλωμένη. Ακόμη και το πιο μικρό εμπόδιο μπορεί να επιβραδύνει το κλείσιμο του προφυλακτήρα.

Φοράτε ωτοασπίδες. Η επίδραση θορύβου μπορεί να προκαλέσει απώλεια ακοής.

Χρησιμοποιείτε προστατευτικό εξοπλισμό. Κατά την εργασία με τη μηχανή φοράτε πάντα προστατευτικά γυαλιά. Συνιστούμε επίσης προστατευτική ενδυμασία όπως επίσης μάσκα προστασίας αναπνοής, προστατευτικά γάντια, σταθερά και ασφαλή στην ολισθήση υποδήματα, κράνος και ωτοασπίδες.



Η δημιουργούμενη κατά την εργασία σκόνη είναι συχνά επιβλαβής για την υγεία (π.χ. κατά την επεξεργασία ξύλου δρυός και οβιάς, πετρωμάτων, χρωμάτων που μπορεί να εμπεριέχουν μόλυβδο ή άλλες βλαβερές ουσίες) και δεν πρέπει να έρχεται σε επαφή με το σώμα. Χρησιμοποιείτε μια διάταξη αναρρόφησης της σκόνης και φοράτε επιπλέον μια κατάλληλη προσωπική προστασία από τη σκόνη. Απομακρύνετε επιμελώς τη μαζεμένη σκόνη, π.χ. με αναρρόφηση.

Πριν από κάθε εργασία στη μηχανή τραβάτε το φως από την πρίζα.

Συνδέετε τη μηχανή στην πρίζα μόνο, εφόσον βρίσκεται απενεργοποιημένη.

Κρατάτε το καλώδιο σύνδεσης πάντοτε μακριά από την περιοχή δράσης της μηχανής. Περνάτε το καλώδιο πάντοτε πίσω από τη μηχανή.

Πριν από κάθε χρήση ελέγχετε τη συσκευή, το καλώδιο σύνδεσης, το καλώδιο επέκτασης (μπαλαντζέα) και το φως για τυχόν ζημιά και γήρανση. Αναθέστε την επισκευή των κατεστραμμένων εξαρτημάτων μόνο σ' έναν ειδικευμένο τεχνίτη.

Οι λεπίδες πριονιού, που δεν αντιστοιχούν με τα χαρακτηριστικά στοιχεία σε αυτές τις οδηγίες χρήσης, δεν επιτρέπεται να χρησιμοποιηθούν.

Παρακαλώ, μην τοποθετείτε λειαντικούς δίσκους!

Κατά την επεξεργασία αλουμινίου για λόγους ασφαλείας πρέπει να λαμβάνονται τα ακόλουθα μέτρα:

- Συνδέετε προηγούμενως ένα διακόπτη προστασίας έναντι ρεύματος διαφυγής (FI, RCD, PRCD).
- Συνδέετε τη μηχανή σε μια κατάλληλη συσκευή αναρρόφησης.
- Καθαρίζετε τη μηχανή σε τακτά διαστήματα από εναποθέσεις σκόνης στο περιβλήμα του κινητήρα και στον προφυλακτήρα.
- Το αλουμίνιο επιτρέπεται να κοπεί μόνο με τους προβλεπόμενους για το σκοπό αυτό ειδικούς πριονοδίσκους.
- Σε πριόνισμα πλακών πρέπει να γίνεται λίπανση με πετρέλαιο, λεπτού τοιχώματος προφίλ (μέχρι 3 mm) μπορούν να επεξεργαστούν χωρίς λίπανση.

ΧΡΗΣΗ ΣΥΜΦΩΝΑ ΜΕ ΤΟ ΣΚΟΠΟ ΠΡΟΟΡΙΣΜΟΥ

Το κυκλικό πριόνι χειρός χρησιμοποιείται για το πριόνισμα ξύλων μασίφ, ξύλων με επάλειψη κόλλας, υλικών που μοιάζουν με το ξύλο και πλαστικών.

Αυτή η συσκευή επιτρέπεται να χρησιμοποιηθεί μόνο σύμφωνα με τον αναφερόμενο σκοπό προορισμού.

ΔΗΛΩΣΗ ΠΙΣΤΟΤΗΤΑΣ ΕΚ

Δηλώνουμε με αποκλειστική μας ευθύνη, ότι αυτό το πριόνι ανταποκρίνεται στα ακόλουθα πρότυπα ή έγγραφα τυποποίησης: EN 60745, EN 55014-1, EN 55014-2, EN 61000-3-2, EN 61000-2-3, σύμφωνα με τις διατάξεις των οδηγιών 2006/42/ΕΚ 2004/108/ΕΟΚ



Winnenden, 2010-10-25

Rainer Kumpf
Manager Product Development

Εξουσιοδοτημένος να συντάξει τον τεχνικό φάκελο.

ΣΥΝΔΕΣΗ ΣΤΟ ΗΛΕΚΤΡΙΚΟ ΔΙΚΤΥΟ

- ☐ Συνδέετε μόνο σε μονοφασικό εναλλασσόμενο ρεύμα και μόνο σε τάση δικτύου όπως αναφέρεται στην πινακίδα τεχνικών χαρακτηριστικών. Η σύνδεση είναι επίσης εφικτή σε πρίζες χωρίς προστασία επαφής, διότι υπάρχει μια δομή της κατηγορίας προστασίας II.

ΣΥΝΤΗΡΗΣΗ

Διατηρείτε πάντοτε τις σχισμές εξερισμού στη μηχανή καθαρές. Χρησιμοποιείτε μόνο πρόσθ. εξαρτήματα Νιμφαφλε και ανταλλακτικά Νιμφαφλε. Κασασκ. τμήματα, που η αλλαγή τους δεν περιγράφεται, αντικαθιστώνται σε μια τεχνική υποστήριξη της Milwaukee (βλέπε φυλλάδιο εγγύηση/ διευθύνσεις τεχνικής υποστήριξης).

Όταν χρειάζεται, μπορείτε να ζητήσετε ένα σχέδιο συναρμολόγησης της συσκευής, δίνοντας τον τύπο της μηχανής και το δεκαψήφιο αριθμό στην πινακίδα ισχύος, από το κέντρο σέρβις ή απευθείας από τη φίρμα Milwaukee Electric Tool, Max-Eyth-Straße 10, D-71364 Winnenden, Germany.

ΣΥΜΒΟΛΑ



Παρακαλώ διαβάστε σχολαστικά τις οδηγίες χρήσης πριν από την έναρξη λειτουργίας.



ΠΡΟΣΟΧΗ! ΠΡΟΕΙΔΟΠΟΙΗΣΗ! ΚΙΝΔΥΝΟΣ!



Η σκόνη που δημιουργείται κατά την εργασία είναι συχνά επιβλαβής για την υγεία και δεν επιτρέπεται να έλθει στο σώμα. Να φοράτε κατάλληλη μάσκα προστασίας από σκόνη.



Στις εργασίες με τη μηχανή φοράτε πάντοτε προστατευτικά γυαλιά.



Πριν από κάθε εργασία στη μηχανή τραβάτε το φως από την πρίζα.



Εξαρτήματα - Δεν περιλαμβάνονται στα υλικά παράδοσης, συνιστούμενη προσθήκη από το πρόγραμμα εξαρτημάτων.



Συμπαγές ξύλο (σκληρό, μαλακό), μορισσανίδες και ινοσανίδες, κοντραπλακέ, πηχοσανίδες, ξυλόπλακες με καπλάμα και επενδεδυμένες



Συνθετικά υλικά, συνθετικά υλικά ενισχυμένα με υαλόνημα (GfK), χαρτί και ύφασμα, ακρυλικό γυαλί



Ινóπλακες με βάση το γύψο και το τσιμέντο



Πλάκες και προφίλ αλουμινίου μέχρι 15 mm



Μην πετάτε τα ηλεκτρικά εργαλεία στον κάδο οικιακών απορριμμάτων! Σύμφωνα με την ευρωπαϊκή οδηγία 2002/96/ΕΚ περί ηλεκτρικών και ηλεκτρονικών συσκευών και την ενσωμάτωσή της στο εθνικό δίκαιο, τα ηλεκτρικά εργαλεία πρέπει να συλλέγονται ξεχωριστά και να πιστρέφονται για ανακύκλωση με τρόπο φιλικό προς το περιβάλλον.

Ελληνικά

TS 55 E

Giriş gücü	1500 W
Boştaki devir sayısı	5500 min ⁻¹
Testere bıçağı çapı x delik çapı	160 x 20 mm
45° de kesme derinliği	39 mm
90° de kesme derinliği	55 mm
Ağırlığı, şebeke kablosuz	5,4 kg

UYARI

Bu talimatlarda belirtilen titreşim seviyesi, EN 60745 standardına uygun bir ölçme metodu ile ölçülmüştür ve elektrikli el aletleri birbiriyle karşılaştırmak için kullanılabilir. Ölçüm sonuçları ayrıca titreşim yükünün geçici değerlendirmesi için de uygundur.

Belirtilen titreşim seviyesi, elektrikli el aletin genel uygulamaları için geçerlidir. Ancak elektrikli el aleti başka uygulamalar için, farklı eklenti parçalarıyla ya da yetersiz bakım koşullarında kullanılırsa, titreşim seviyesi farklılık gösterebilir. Bu durumda, titreşim yükü toplam çalışma zaman aralığı içerisinde belirgin ölçüde yükselebilir.

Titreşim yükünün tam bir değerlendirmesi için ayrıca cihazın kapalı olduğu süreler ve cihazın çalışır durumda olduğu, ancak gerçek kullanımda bulunmadığı süreler de dikkate alınmalıdır. Böylelikle, toplam çalışma zamanı aralığı boyunca meydana gelen titreşim yükü belirgin ölçüde azaltılabilir.

Kullanıcı titreşimlerin etkisinden korunmak üzere, örneğin elektrikli el aletlerinin ve eklenti parçalarının bakımı, ellerin sıcak tutulması ve iş akışlarının organizasyonu gibi ek güvenlik tedbirleri belirleyiniz.

⚠ UYARI! Güvenlikle ilgili bütün açıklamaları, talimatları ve ilişikteki broşürde yazılı bulunan hususları okuyunuz.

Açıklanan uyarılara ve talimat hükümlerine uyulmadığı takdirde elektrik çarpmalarına, yangınlara ve/veya ağır yaralanmalara neden olunabilir.

Bütün uyarıları ve talimat hükümlerini ileride kullanmak üzere saklayın.

GÜVENLİĞİNİZ İÇİN TALIMATLAR

⚠ TEHLİKE:

Ellerinizi kesilen yere ve testere bıçağına yaklaştırmayın.

İkinci elinizle ek tutamağı veya motor gövdesini tutun. Her iki elinizde daire testereyi tutarsa, testere bıçağı ellerinizi yaralayamaz.

İş parçasının altını kavramayın. Korumacı kapak sizi iş parçası altında sizi testere bıçağından koruyamaz.

Kesme derinliğini iş parçasının kalınlığına göre ayarlayın. İş parçası altında tam dış uzunluğunun daha azı görünmelidir.

Kesilen iş parçasını hiçbir zaman elinizle tutmayın veya bacağına üzerine koymayın. İş parçasını sağlam bir zeminde emniyete alın. Bedenle teması önlemek, testere bıçağına sıkışması veya aletin kontrolünün kaybedilmesinin minimum düzeye indirilmesi açısından iş parçasının iyice tespit edilip sıkılması önemlidir.

Kesme aletinin eğrilmiş elektrik kabloları veya kendi kablo ile temas eden çalışmalar yapılırken cihazı izole edilmiş kollarından tutun. Kesme aletinin içinden elektrik akımı geçen kablo ile temas etmesi durumunda elektrik akımı cihazın metal kısımlarına geçer ve elektrik çarpmasına sebebiyet verebilir.

Gürültü/Vibrasyon bilgileri

Ölçüm değerleri EN 60745 e göre belirlenmektedir.

Aletin, frekansa bağımlı uluslararası ses basıncı seviyesi değerlendirme eğrisi A'ya göre tipik gürültü seviyesi:

Ses basıncı seviyesi (K = 3 dB(A))..... 93 dB (A)

Akustik kapasite seviyesi (K = 3 dB(A)) 104 dB (A)

Korumacı kulaklık kullanın!

Toplam titreşim değeri (üç yönün vektör toplamı) EN 60745'e göre belirlenmektedir:

titreşim emisyon değeri a_w 4,7 m/s²

Tolerans K = 1,5 m/s²

**Tür**

Uzunlamasına kesme yaparken daima bir dayamak veya düz bir kenar kılavuzu kullanın. Bu, kesme hassasiyetini iyileştirir ve testere bıçağına sıkışma olasılığını azaltır.

Daima doğru büyüklükte ve biçimi bağlama flanşına uygun testere bıçakları kullanın (ağ şeklinde veya yuvarlak).

Testerenin montaj parçalarına uymayan testere bıçaklar, balanssız çalışır ve aletin kontrol dışına çıkma olasılığını artırır.

Hiçbir zaman hasarlı testere bıçağı alt besleme diski veya vida kullanmayın. Testere bıçağı alt besleme diski ve vidalar, işletme güvenliğini optimum düzeye getirmek üzere özel olarak tasarlanmış ve üretilmiştir.

Geri tepme kuvvetinin nedenleri ve buna karşı alınacak önlemler:

- Bir geri tepme kuvveti, takılan, sıkışan veya yanlış doğrultulan bir testere bıçağına beklenmedik reaksiyonudur. Bu durum, aletin kontrolden ve iş parçasından çıkarak kullanıcıya doğru hareket etmesine neden olabilir;

- Testere bıçağı kesilen hat içinde takılır veya sıkışır, bloke olur. Böyle bir durumda motor kuvveti aleti kullanıcıya doğru geri iter;

- Testere bıçağı kesme hattında açılma yapar veya yanlış doğrultulursa, testere bıçağına arka taraftaki dişler iş parçasının üst yüzeyine takılabilir ve bunun sonucunda da testere bıçağı kesme hattından dışarı çıkarak, geriye doğru kullanıcıya doğru sıçrama yapar.

Bir geri tepme kuvvet, testerenin yanlış veya hatalı kullanımı sonucu ortaya çıkar. Geri tepme kuvvetleri aşağıda açıklanan uygun önlemlerle önlenir.

Testereyi iki elinizle birlikte sıkıca tutun ve ellerinizi geri tepme kuvvetini karşılayabilecek konumda tutun. Daima testere bıçağının yan tarafında durun, hiçbir zaman testere bıçağı ile aynı hatta bulunmayın. Geri tepme halinde daire testere geri doğru sıçrar, ancak kullanıcı personel uygun önlemleri almışsa bu geri tepme kuvvetlerini tehlikesiz biçimde karşılayabilir.

Testere bıçağı sıkışır veya kesme işlemi başka herhangi bir nedenle kesilirse, açma/kapama şalterini bırakın ve testere bıçağı tam duruncaya kadar testereyi malzeme içinde sakınca tutun. Testere bıçağı hareket ettiği sürece ve geri tepme kuvveti kendini hissettirdiği sürece hiçbir zaman testereyi iş parçasından dışarı çıkarmayı denemeyin veya geri çekmeyin. Testere bıçağının sıkışma nedenini bulun ve bunu uygun önlemlerle giderin.

İş parçası içinde bulunan bir testereyi tekrar çalıştırmak isterseniz, testere bıçağını kesme hattında içinde merkezleyn ve testere dışlarının iş parçasına takılı olup olmadığını kontrol edin. Testere bıçağı sıkışır (bloke olur) ve tekrar çalıştırılacak olursa iş parçasından dışarı çıkabilir veya bir geri tepme kuvvetine neden olabilir.

Testere bıçağının sıkışır geri tepme tehlikesi yaratmaması için büyük boyutlu levhaları keserken güvenli bir biçimde destekleyin. Büyük boyutlu levhalar kendi ağırlıkları nedeniyle bükülebilir. Bu levhalar her iki yandan, hem kesme hattının yakınından hem de kenardan desteklenmelidir.

Körelmiş veya hasarlı testere bıçakları kullanılmayın. Körelmiş veya yanlış doğrultulmuş testere bıçakları dar kesme hattında büyük bir sürtünme kuvvetinin oluşmasına, testere bıçağının sıkışmasına ve geri tepme kuvvetlerinin oluşmasına neden olurlar.

Kesme işlemine başlamadan önce kesme derinliği ve kesme hızı ayarlarını tam ve hassas biçimde ayarlayarak tespit edin. Kesme sırasında ayarlar değişecek olursa, testere bıçağı sıkışabilir ve geri tepme kuvveti oluşabilir.

İçini görmediğiniz bir yerde, örneğin bir duvarda, içten kesme“ işlerinde özellikle dikkatli olun. Malzeme içine dalan testere bıçağı görünmeyen nesnelere nedeniyle bloke olabilir ve geri tepme kuvvetlerine neden olabilir.

Alt koruyucu kapağın fonksiyonu

Her kullanımdan önce koruyucu kapağın kusursuz olarak kapanıp kapanmadığını kontrol edin. Koruyucu kapak serbest hareket etmiyorsa ve hemen kapanmıyorsa testereyi kullanmayın. Alt koruyucu kapağı açık konumda iken hiçbir zaman sıkmayın veya yapıştırmayın. Testere yanlışlıkla yere düşecek olursa, alt koruyucu kapak bükülebilir. Koruyucu kapağı geri çekme kolu ile açın ve serbest hareket edip etmediğini ve bütün kesme açısı ve kesme derinliklerinde ne testere bıçağına ne de diğer parçalara temas edip etmediğini kontrol edin.

Alt koruyucu kapağın yayını kontrol edin. Eğer alt koruyucu kapak ve yayı kusursuz olarak çalışmıyorsa aletinizi bakıma gönderin. Hasarlı parçalar, yapışkan birikintiler veya talaş birikimleri alt koruyucu kapağın gecikmeli olarak işlev görmesine neden olur.

Dik olarak yapılmayan „Malzeme içine dalarak kesme“ işleminde taban levhasını kaymaya karşı emniyete alın. Yana doğru kayma testere bıçağının sıkışmasına ve dolayısı ile geri tepme kuvvetlerinin oluşmasına neden olabilir.

Alt koruyucu kapak testere bıçağını kapatmadığı sürece testereyi tezgaha veya yere bırakmayın. Korunmayan ve serbest dönüştüğü testere bıçağı testereyi kesme yönünün tersine hareket ettirir ve önüne gelen malzemeyi keser. Bu sırada testerenin serbest dönüş süresine dikkat edin.

Alt yarma kamasını fonksiyonu

Kesme yaptığınız testere bıçağına uygun yarma kaması kullanın. Yarma kaması testere bıçağı gövdesinden daha kalın, ancak testere bıçağı dışlarının genişliğinden daha ince olmalıdır.

Yarma kamasını kullanın kılavuzunda açıklandığı gibi ayarlayın. Yanlış kalınlık, pozisyon ve doğrultma yarma kamasının geri tepme kuvvetini etkin biçimde önlemesine engel olabilir.

Yarma kamasının etkin olabilmesi için kesme hattının içinde bulunmalıdır. Kısa kesme işlerinde yarma kaması geri tepme kuvvetini önlemede etkisizdir.

Bükülmüş yarma kaması ile testereyi kullanmayın. En küçük bir aksamada koruyucu kapağın kapanması yavaşlar.

Koruyucu kulaklık kullanın. Çalışırken çıkan gürültü işitme kayıplarına neden olabilir.

Koruma teçhizatı kullanın. Makinada çalışırken devamlı surette koruyucu gözlük takın. Koruyucu elbise ve tozdan koruma maskesi, emniyet eldivenleri ve sağlam ve kaymaya mukavim ayakkabı giyin. Başlık ve kulaklık tavsiye edilir.

Tahtalar uzun süre işlenirken veya sağlığa zararlı toz çıkaran malzemeler profesyonel olarak işlenirken alet uygun bir toz emme donanımına bağlanmak zorundadır. Profesyonel kullanıcılar diğer malzemelere ilişkin hükümleri yetkili meslek kuruluşu ile açıklığa kavuşturmak zorundadır.

Aletin kendinde bir çalışma yapmadan önce fişi prizden çekin.

Aleti sadece kapalı iken prize takın.

Bağlantı kablosunu aletten uzak tutun. Kablo daima aletin arkasında olmalıdır ve toplanmamalıdır.

Her kullanımdan önce alet, bağlantı kablosu, uzatma kablosu ve fişin hasarlı olup olmadığını ve eskiyip eskimediğini kontrol edin. Hasarlı parçaları sadece uzmanına onartın.

Tanıtım verileri bu kullanım kılavuzunda belirtilmemiş tertere bıçaklarını kullanmayın.

Lütfen cihazların içinde taşıma levhaları (diskleri) monte ederek kullanmayın!

Alüminyumun işleniş esnasında emniyet sebeplerinden dolayı aşağıdaki tedbirlerin alınması gerekir:

- Hatalı akım koruma şalterini (FI, RCD, PRCD) devreye sokun.
- Makineyi uygun bir emme cihazına bağlayın.
- Motor muhafazasını ve koruma başlığını temizleyin.
- Alüminyum sadece bu iş için öngörülmuş bulunan özel testere yapıları ile yontulabilir.
- Plakaların yontulması esnasında petrol ile yağlanabilir, ince duvarlı profiller (3 mm'ye kadar) yağsız olarak işleme tabi tutulabilir.



KULLANIM

Bu daire testere masif ağaçların traşlanması için kullanılır, ahşap ve ahşap benzeri maddeleri, alüminyum profil, renkli metalde ve plastik maddeleri ufalar.

Bu alet sadece belirttiği gibi ve usulüne uygun olarak kullanılabilir.

CE UYGUNLUK BEYANI

Tek sorumlu olarak bu ürünün 2006/42/EC, 2004/108/EC yönetmelik hükümleri uyarınca aşağıdaki normlara ve norm dokümanlarına uygunluğunu beyan ederiz: EN 60745, EN 55014-1, EN 55014-2, EN 61000-3-2, EN 61000-3-3.



Winnenden, 2010-10-25

Rainer Kumpf
Manager Product Development
Teknik evrakları hazırlamakla görevlendirilmiştir.

ŞEBEKE BAĞLANTISI

Aleti sadece tek fazlı alternatif akıma ve tip etiketi üzerinde belirtilen şebeke gerilimine bağlayın. yapısı Koruma sınıfı II'ye girdiğinden alet koruyucu kontaksız prize de bağlanabilir.

BAKIM

Aletin havalandırma aralıklarını daima temiz tutun.

Sadece kuru bir bez veya havlu ile temizleyin. Bazı deterjan ve temizlik maddeleri plastik ve izolasyonlu parçalara hasar verebilir. Aleti temiz ve kuru tutun, yağlanmasını önleyin.

Sadece AEG aksesuarını ve yedek parçalarını kullanın. Değiştirilmesi açıklanmamış olan parçaları bir AEG müşteri servisinde değiştirin (Garanti broşürüne ve müşteri servisi adreslerine dikkat edin).

Gerektiği takdirde aletin dağınık görünüş şeması, alet tipinin ve tip etiketi üzerindeki on hanelik sayının bildirilmesi koşuluyla müşteri servisinden veya doğrudan AEG Elektrowerkzeuge, Max-Eyth-Straße 10, D-71364 Winnenden, Germany adresinden istenebilir.

SEMBOLLER



Lütfen aleti çalıştırmadan önce kullanma kılavuzunu dikkatli biçimde okuyun.



DİKKAT! UYARI! TEHLİKE!



Çalışma sırasında ortaya çıkan toz genellikle sağlığa zararlıdır ve bedeninize temas etmemelidir. Uygun bir koruyucu toz maskesi kullanın



Aletle çalışırken daima koruyucu gözlük kullanın.



Aletin kendinde bir çalışma yapmadan önce fişi prizden çekin.



Aksesuar - Teslimat kapsamında değildir, önerilen tamamlamalar aksesuar programında.



Tamamen ahşap olan plakalar, (sert ve yumuşak) germe ve sert lifli plakalar, ağaç kaplama plakalar, marangoz plakaları, kaplama yapılmış plakalar



Plastik maddeler, lifleri takviye edilen plastik maddeler (GfK), kağıt ve dokuma, akrilik cam



Alçı ve çimentoya bağlı lifli plakalar



Alüminyum plakaları ve profilleri 15 mm'ye kadardır.



Elektrikli el aletlerini evdeki çöp kutusuna atmayınız! Kullanılmış elektrikli aletleri, elektrik ve elektrikli eski cihazlar hakkındaki

2002/96/EC Avrupa yönergelerine göre ve bu yönergeler ulusal hukuk kurallarına göre uyarlanarak, ayrı olarak toplanmalı ve çevre şartlarına uygun bir şekilde tekrar değerlendirilmeye gönderilmelidir.



TS 55 E

Jmenovitý příkon	1500 W
Počet otáček při běhu naprázdno	5500 min ⁻¹
Pilový kotouč ø x díra ø	160 x 20 mm
Hloubka řezu při 45°	39 mm
Hloubka řezu při 90°	55 mm
Hmotnost bez kabelu	5,4 kg

Informace o hluku / vibracích

Naměřené hodnoty odpovídají EN 60745.

V třídě A posuzovaná hladina hluku přístroje činí typicky:

Hladina akustického tlaku (K = 3 dB(A)) 93 dB (A)

Hladina akustického výkonu (K = 3 dB(A)) 104 dB (A)

Používejte chrániče sluchu !

Celkové hodnoty vibrací (vektorový součet tří směrů) zjištěné ve smyslu EN 60745.

Hodnota vibračních emisí a_h 4,7 m/s²

Kořisavost K 1,5 m/s²

VAROVÁN

Úroveň chvění uvedená v tomto návodu byla naměřena podle metody měření stanovené normou EN 60745 a může být použita pro porovnání elektrického nářadí. Hodí se také pro průběžný odhad zatížení chvěním.

Uvedená úroveň chvění představuje hlavní účely použití elektrického nářadí. Jestliže se ale elektrické nářadí používá pro jiné účely, s odlišnými nástroji nebo s nedostatečnou údržbou, může se úroveň chvění odlišovat. To může značně zvýšit zatížení chvěním během celé pracovní doby.

Pro přesný odhad zatížení chvěním se musí také zohlednit časy, během kterých je přístroj vypnutý nebo kdy je sice v chodu, ale skutečně se s ním nepracuje. To může zatížení chvěním během celé pracovní doby značně snížit.

Stanovte doplňková bezpečnostní opatření pro ochranu obsluhy před účinky chvění jako například: technická údržba elektrického nářadí a nástrojů, udržování teploty rukou, organizace pracovních procesů.

VAROVÁNÍ! Seznamte se se všemi bezpečnostními pokyny a sice i s pokyny v příložené brožůře. Zanedbání při dodržování varovných upozornění a pokynů mohou mít za následek úder elektrickým proudem, požár a/nebo těžká poranění.

Všechna varovná upozornění a pokyny do budoucna uschovejte.

SPECIÁLNÍ BEZPEČNOSTNÍ UPOZORNĚNÍ

NEBEZPEČÍ:

Mějte své ruce mimo oblast řezání a mimo pilový kotouč. Se svou druhou rukou držte přídavné držadlo nebo motorovou skříň. Pokud obě ruce drží kotoučovou pilu, nemůže je pilový kotouč poranit.

Nesahejte pod obrobek. Ochranný kryt Vás pod obrobkem nemůže chránit před pilovým kotoučem.

Přizpůsobte hloubku řezu tloušťce obrobku. Pod obrobkem by měla být viditelná méně než celá výška zubu.

Řezaný obrobek nikdy nadržte v ruce nebo přes nohu. Obrobek zajistěte na stabilní podložce. Je důležité obrobek dobře upevnit, aby byl minimalizován kontakt s tělem, přičemž pilového kotouče nebo ztráta kontroly.

Při provádění prací, při kterých nástroj může narazit na skryta elektrická vedení nebo na vlastní kabel, držte přístroj za izolované přídržovací plošky. Kontakt řezného nástroje s vedením pod napětím může vést k přenosu napětí na kovové části přístroje a k úrazu elektrickým proudem.

Při podélných řezech používejte vždy vodítko nebo přímé vedení podél hrany. To zlepší přesnost řezu a snižuje možnost, že se pilový kotouč vzpříčí.

Používejte vždy pilové kotouče ve správné velikosti a s vhodným upínacím otvorem (např. v hvězdicovém tvaru nebo kruhový). Pilové kotouče, jež se nehodí k montážním dílům pily, běží nekruhově a vedou ke ztrátě kontroly.

Nikdy nepoužívejte poškozené nebo špatné podložky nebo šrouby kotouče. Podložky a šrouby pilových kotoučů byly zkonstruovány speciálně pro Vaši pilu, pro optimální výkon a provozní bezpečnost.

Příčiny a vyvarování se zpětného rázu:

- zpětný ráz je náhlá reakce v důsledku zaseknutí, vzpříčení nebo špatného vyrovnání pilového kotouče, která vede k tomu, že se pila nekontrolovatelně nadzvedne z obrobku a pohybuje se ve směru obsluhující osoby;

- když se pilový kotouč zasekne nebo vzpříčí do svírající se řezané mezery, zablokuje se a síla motoru udeří strojem zpět ve směru obsluhující osoby;

- pokud se pilový kotouč v řezu stočí nebo je špatně vyrovnán, mohou se zuby zadní hrany pilového kotouče zaseknout do povrchu obrobku, čímž se pilový kotouč nadzvedne z řezané mezery a pila vyskočí zpět ve směru obsluhující osoby.

Zpětný ráz je důsledek špatného nebo chybného použití pily. Lze mu vhodnými preventivními opatřeními, jak je následovně popsáno, zabránit.

Pilu držte pevně oběma rukama a paže dejte do takové polohy, ve které můžete čelit síle zpětného rázu. Držte se vždy stranou pilového kotouče, nedávejte pilový kotouč do jedné přímky s Vaším tělem. Při zpětném rázu může kotoučová pila skočit vzad, ale obsluhující osoba může síly zpětného rázu překonat, pokud byla učiněna vhodná opatření.

Jestliže se pilový kotouč vzpříčí nebo je-li řezání přerušeno z jiného důvodu, uvolněte spínač a pilu držte klidně v materiálu, až se pilový kotouč zcela zastaví. Nikdy se nepokoušejte odstranit pilu z obrobku nebo ji stáhnout zpět, dokud se pilový kotouč pohybuje nebo by mohl nastat zpětný ráz. Najděte příčinu vzpříčení pilového kotouče a odstraňte ji vhodnými opatřeními.

Pokud chcete pilu, která je vsazena do obrobku, znovu zapnout, vystředte pilový kotouč v řezané mezeře a zkontrolujte, zda nejsou pilové zuby zaseknuty v obrobku.

Je-li pilový kotouč vzpříčený, může se, pokud se pila znovu zapne, pohnout ven z obrobku nebo způsobit zpětný ráz.

Velké desky podepřete, aby jste zabránili riziku zpětného rázu sevřením pilového kotouče. Velké desky se mohou vlastní vahou prohnut. Desky musí být podepřeny jak na obou stranách, tak i v blízkosti řezané mezery mezi nimi.

Nepoužívejte žádné tupé nebo poškozené pilové kotouče.

Pilové kotouče s tupými nebo špatně vyvonalými zuby způsobí díky úzké pilové mezeře zvýšené tření, svírání pilového kotouče a zpětný ráz.

Před řezáním utáhněte nastavení hloubky a úhlu řezu. Pokud se během řezání změní nastavení, může se pilový kotouč vzpříčit a nastat zpětný ráz.

Budte obzvláště opatrní, pokud provádíte "zаноřovací řez" do skrytých prostorů, např. stávající stěna. Zanořující se pilový kotouč se může při řezání zablokovat ve skrytých objektech a způsobit zpětný ráz.

Funkce spodního ochranného krytu

Před každým použitím zkontrolujte, zda se ochranný kryt bezvadně uzavírá. Pílu nepoužívejte, pokud se ochranný kryt nepohybuje volně a neuzavře-li se okamžitě. Spodní ochranný kryt nikdy neupevňujte nebo nepřivazujte napevno v otevřené poloze. Pokud pila neúmyslně upadne na podlahu, může se spodní ochranný kryt zprohýbat. Zajistěte, aby se ochranný kryt volně pohyboval a nedotýkal se pilového kotouče ani jiných dílů při všech různých úhlech a hloubkách.

Zkontrolujte stav a funkci pružiny pro ochranný kryt. Nechte stroj před použitím zkontrolovat, pokud ochranný kryt a pružina nepracují bezvadně. Poškozené díly, lepkavé usazeniny nebo nahromaděné třísky brzdí spodní ochranný kryt při práci.

Zajistěte při "zаноřovacím řezu", který nebude proveden pravouhle, vodící desku pily proti bočnímu posunu. Boční posun může vést ke vzpříčení pilového kotouče a tím ke zpětnému rázu.

Pílu neodkládejte na pracovní stůl nebo podlahu bez toho, aby ochranný kryt zakrýval pilový kotouč. Nechráněný, dobíhající pilový kotouč pohybuje pilou proti směru řezání a řeže vše co mu stojí v cestě. Respektujte při tom dobu doběhu pily.

Funkce rozvíracího klínu

Pro nasazený pilový kotouč použijte vhodný rozpěrný klín. Rozpěrný klín musí být silnější než základní tloušťka kotouče, ale tenčí než šířka zubů pilového kotouče.

Rozpěrný klín zajistěte tak, jak je popsáno v návodu k obsluze. Nesprávná tloušťka, poloha a vyrovnání mohou být příčinou, že rozpěrný klín nezabrání účinně zpětnému rázu.

Používejte rozvírací klín vždy, i u „øezu zаноřením“. Rozvírací klín se při zаноření zatlačí vzhůru, a při pøedsunutí okružní pily po jejím vynošení samoøínni vypruží do øezu.

Aby rozpěrný klín mohl působit, musí se nacházet v řezané mezeře. U krátkých řezů je rozpěrný klín neúčinný, aby zabránil zpětnému rázu.

Pílu neprovazujte se zprohýbaným rozpěrným klínem. Již malá závada může zpomalit uzavírání ochranného krytu.

Používejte chrániče sluchu. Působením hluku může dojít k poškození sluchu.

Použijte ochranné vybavení. Při práci s elektrickým nářadím používejte vždy ochranné brýle. Doporučujeme rovněž použití součástí ochranného øøevu a ochranné øuvi, jako protiprašné masky, ochranných rukavic, pevné a nekoužající øuvi, ochranné prilby a ochrany sluchu.

Prach vznikající při práci bývá zdraví økodlivý (např. při opracování dubového a bukového øeva, kamene, nebo barevných nátørů, jež mohou obsahovat olovo nebo jiné økodliviny), a proto by se neměly vdechovat. Používejte odsávání prachu a navíc se chraňte vhodnou ochrannou maskou. Usazený prach dobře odstraňte, např. odsátím. Před zahájením veøkerých prací na stroji vytáhnout síťovou záøtrčku ze zásuvky.

Stroj zapínat do zásuvky pouze když je vypnutý.

Neustále dbát na to, aby byl kabel pro pøípojení k elektrické síti mimo dosah stroje. Kabel věst vždy smørem dozadu od stroje.

Před každým použitím pøekontrolujte stroj, kabel, prodlužovací kabel i záøtrčky, zda nenesou stopy øøkození nebo stárnutí. Poøkozené souøástky dejte opravit pouze odborníkovi.

Pilové kotouče, které neodpovídají požadavkùm podle tohoto návodu se nesmí používat.

Nepoužívejte prosím s brusnými kotouèi!

Při práci s hliníkem je třeba z bezpečnostních důvodů dodržovat následující opatření:

- Předáøte ochranný spínač svodového proudu (FI, RCD, PRCD).
- Pøípojte stroj na vhodný odsávací pøístroj.
- Čistěte pravidelně stroj od prachových usazenin ve økřínì motoru a v ochranném krytu.
- Hliník se smí řezat jen speciálními a k tomu určenými listy pily
- Při řezání desek se musí mazat petrolejem, tenkostønné profily (do 3 mm) se mohou zpracovávat bez mazání.



OBLAST VYUŽITÍ

Okružní pila se používá k řezání masivního dřeva, klíženého dřeva, materiálu s podobnými vlastnostmi, hliníkových profilů, barevné kovy a plastu.

Toto zařízení lze používat jen pro uvedený účel.

CE-PROHLÁŠENÍ O SHODĚ

Se vši zodpovědností prohlašujeme, že tento výrobek odpovídá následujícím normám a normativním dokumentům:

EN 60745, EN 55014-1, EN 55014-2, EN 61000-3-2, EN 61000-2-3, v souladu se směrnici EHS č. 2006/42/E, 2004/108/EWG



Winnenden, 2010-10-25

Rainer Kumpf
Manager Product Development

Způsobilý pro sestavení technických podkladů.

PŘIPOJENÍ NA SÍŤ

Připojit pouze do jednofázové střídavé sítě o napětí uvedeném na štítku. Lze připojit i do zásuvky bez ochranného kontaktu neboť spotřebič je třídy II.

ÚDRŽBA

Větrací štěrbyin nářadí udržujeme stále čisté.

Čistíte pouze čistým hadříkem. Některé čisticí prostředky poškozují umělou hmotu krytu či jiné izolační díly. Přístroj udržujte čistý a suchý, chráňte před olejem a tuky.

Používejte výhradně náhradní díly a příslušenství AEG. Díly, jejichž výměna nebyla popsána, nechávejte vyměnit v odborném servisu AEG. (Viz záruční list.)

Při potřebě podrobného rozkresu konstrukce, oslovte informaci o typu a desetimístném objednacím čísle přímo servis a nebo výrobce, AEG Elektrowerkzeuge, Max-Eyth-Straße 10, D-71364 Winnenden, Germany.

SYMBOLY



Před spuštěním stroje si pečlivě přečtěte návod k používání.



POZOR! VAROVÁNÍ! NEBEZPEČÍ!



Prach vznikající při práci s tímto nářadím může být zdraví škodlivý. Proto by neměl přijít do styku s tělem. Používejte při práci vhodnou ochranou masku.



Při práci se strojem neustále nosit ochranné brýle.



Před zahájením veškerých prací na vrtačím klavíru vytáhnout síťovou zástrčku ze zásuvky.



Příslušenství není součástí dodávky, viz program příslušenství.



Masivní dřevo (tvrdé, měkké), dřevotříska, tvrdá dřevovláknitá deska, překližka, truhlářské desky, dýhované a potahované desky



Plasty, lamináty, papír a tkaniny, akrylové sklo



Sádou a cementem spojené vláknité desky



Hliníkové desky a profily do 15 mmj



Elektrické nářadí nevyhazujte do komunálního odpadu! Podle evropské směrnice 2002/96/EC o nakládání s použitými elektrickými a elektronickými zařízeními a odpovídajících ustanovení právních předpisů jednotlivých zemí se použité elektrické nářadí musí sbírat odděleně od ostatního odpadu a podrobit ekologicky šetrnému recyklování.

TS 55 E

Menovitý príkon.....	1500 W
Otáčky naprázdno	5500 min ⁻¹
Priemer pílového listu x priemer diery	160 x 20 mm
Hĺbka rezu pri 45°	39 mm
Hĺbka rezu pri 90°	55 mm
Hmotnosť bez sieťového kábla	5,4 kg

Informácia o hluku / vibráciách

Namerané hodnoty určené v súlade s EN 60745.

V triede A posudzovaná hladina hluku prístroja činí typicky:

Hladina akustického tlaku ($K = 3 \text{ dB(A)}$) 93 dB (A)

Hladina akustického výkonu ($K = 3 \text{ dB(A)}$) 104 dB (A)

Používajte ochranu sluchu!

Celkové hodnoty vibrácií (vektorový súčet troch smerov) zistené v zmysle EN 60745.

Hodnota vibračných emisií a_h 4,7 m/s²

Koľníkovosť K 1,5 m/s²

POZOR

Úroveň vibrácií uvedená v týchto pokynoch bola nameraná meracou metódou, ktorú stanovuje norma EN 60745 a je možné ju použiť na vzájomné porovnanie elektrického náradia. Hodí sa aj na predbežné posúdenie kmitavého namáhania.

Uvedená úroveň vibrácií reprezentuje hlavné aplikácie elektrického náradia. Ak sa však elektrické náradie používa pre iné aplikácie, s odlišnými vložnými nástrojmi alebo s nedostatočnou údržbou, môže sa úroveň vibrácií líšiť. Toto môže kmitavé namáhanie v priebehu celej pracovnej doby podstatne zvýšiť.

Pre presný odhad kmitavého namáhania by sa mali tiež zohľadniť doby, v ktorých je náradie vypnuté alebo je síce v chode, ale v skutočnosti sa nepoužíva. Toto môže kmitavé namáhanie v priebehu celej pracovnej doby zreteľne redukovať.

Stanovte dodatočné bezpečnostné opatrenia pre ochranu obsluhy pred účinkami vibrácií, ako napríklad: údržba elektrického náradia a vložných nástrojov, udržiavanie teploty rúk, organizácia pracovných postupov.

⚠ POZOR! Zoznámte sa so všetkými bezpečnostnými pokynmi a síce aj s pokynmi v priloženej brožúre. Zanedbanie dodržiavania Výstražných upozornení a pokynov uvedených v nasledujúcom texte môže mať za následok zásah elektrickým prúdom, spôsobiť požiar a/alebo ťažké poranenie.

Tieto Výstražné upozornenia a bezpečnostné pokyny starostlivo uschovajte na budúce použitie.

ŠPECIÁLNE BEZPEČNOSTNÉ POKYNY

⚠ NEBEZPEČENSTVO:

Nedávajte ruky do pracovného priestoru píly ani k pílovému listu. Druhou rukou držte prídavnú rukoväť alebo teleso motora. Ak kotúčovú pílu držia obe ruky, pílový list ich nemôže poraniť.

Nesiahajte pod obrobok. Ochranný kryt vás pod obrobkom nemôže ochraňovať pred pílovým listom.

Hrúbku rezu prispôbte hrúbke obrobka. Pod obrobkom by malo byť vidieť menej pílového listu ako plnú výšku zuba píly.

Nikdy nedržte pri rezaní obrobok v ruke ani ho nepridržujte nad nohou. Zabezpečte obrobok na stabilnom podklade. Je dôležité, aby bol obrobok dobre upevnený, aby sa na minimum zmenšilo nebezpečenstvo kontaktu s telom, zablokovania pílového listu alebo straty kontroly.

Pri realizovaní prác, pri ktorých nástroj môže naraziť na skryté elektrické vedenie alebo na vlastný kábel, držte prístroj za izolované pridrôzovacie plošky. Kontakt rezného nástroja s vedením pod napätím môže viesť k prenosu napätia na kovové časti prístroja a k úrazu elektrickým prúdom.

Pri pozdĺžnom rezaní vždy používajte doraz, alebo vedte náradie pozdĺž rovnej hrany. To zlepšuje presnosť rezu a znižuje možnosť zablokovania pílového listu.

Používajte vždy pílové listy správnej veľkosti a s vhodným upínacím otvorom (napríklad hviezdicovým alebo okrúhlym).

Pílové listy, ktoré sa nehodia k montážnym súčiastkam píly, nebežia celkom rotačne a spôsobia stratu kontroly obsluhy na náradí.

Nikdy nepoužívajte poškodené podložky alebo nesprávne upevňovacie skrutky pílových listov. Podložky a upevňovacie skrutky pílových listov boli skonštruované špeciálne pre túto pílu, aby dosahovala optimálny výkon a mala optimálnu bezpečnosť prevádzky.

Dôvody spätných rázov a predchádzanie spätným rázom:

- spätný ráz je náhlu reakciou zablokovaného, vzpričeného alebo nesprávne nastaveného pílového listu, ktorý má za následok nekontrolované zdvihnutie píly a jej pohyb od obrobku smerom k obsluhujúcej osobe;

- keď sa pílový list zasekne alebo vzpriechi v uzavierajúcej sa štrbine rezu, zablokuje sa a sila motora vyhodí náradie smerom na obsluhujúcu osobu;

- keď je pílový list v reze natočený alebo nesprávne nastavený, môžu sa zuby zadnej hrany pílového listu zahryznúť do povrchovej plochy obrobku, čím sa pílový list vysunie z rezacej štrbiny a píla poskočí smerom k obsluhujúcej osobe.

Spätný ráz je následkom nesprávneho a chybného používania píly. Vhodnými preventívnymi opatreniami, ktoré popisujeme v nasledujúcom texte, mu možno zabrániť.



Držte pílu dobre oboma rukami a majte paže v takej polohe, v ktorej budete vedieť prípadnú silu spätného rázu zvládnuť. Vždy stojte v bočnej polohe k rovine pilového listu, nikdy nedávajte pilový list do jednej línie so svojím telom. Pri spätnom ráze môže píla skočiť smerom dozadu, avšak keď sa urobia potrebné opatrenia, môže obsluhujúca osoba silu spätného rázu zvládnuť.

Ak sa pilový list zablokuje alebo ak sa pílenie preruší z iného dôvodu, uvoľníte vypínač a držte pílu v materiáli obrobku dovtedy, kým sa pilový list celkom zastaví. Nikdy sa nepokúšajte vyberať pílu z obrobku alebo ju ťahať smerom dozadu, kým sa pilový list pohybuje alebo kým môže vzniknúť spätný ráz. Nájdite príčinu zablokovania pilového listu a pomocou vhodných opatrení ju odstráňte.

Keď chcete znova spustiť pílu, ktorá je v obrobku, vycentrujte pilový list v štrbine rezu a skontrolujte, či nie sú zuby píly zaseknuté v materiáli obrobku. Keď je pilový list zablokovaný, nedá sa v obrobku pohnúť, alebo môže spôsobiť spätný ráz, ak by sa píla znova spustila.

Veľké platne pri pílení podoprite, aby ste znížili riziko spätného rázu zablokovaním pilového listu. Veľké platne sa môžu následkom vlastnej hmotnosti prehnúť. Platne treba podpierať na oboch stranách, aj v blízkosti štrbiny rezu aj na kraji.

Nepožívajte tupé ani poškodené pilové listy. Pilové listy s otupenými zubami alebo s nesprávne nastavenými zubami vytvárajú príliš úzku štrbinu rezu a tým spôsobujú zvýšené trenie, blokovanie pilového listu alebo vyvolanie spätného

Pred pílením dobre utiahnite nastavenia hĺbky rezu a uhla rezu. Keď sa počas pílenia nastavenie zmení, môže sa pilový list zablokovať a spôsobiť spätný ráz náradia.

Osobitne opatrný buďte pri používaní rezania "zapichovaním" (zanorovaním) do skrytého priestoru, napríklad do existujúcej steny. Zapichovaný pilový list môžu pri pílení zablokovať rôzne skryté objekty, čo môže spôsobiť spätný ráz.

Funkcia spodného ochranného krytu

Pred každým použitím náradia skontrolujte, či bezchybne pracuje ochranný kryt. Nepoužívajte kotúčovú pílu, keď sa dolný ochranný kryt nedá voľne pohybovať a keď okamžite automaticky neuzatvára. Nikdy nezablkujte ani neprivádzajte dolný ochranný kryt v otvorenej polohe. Ak vám píla náhodou neúmyselne spadla na zem, mohol by sa dolný ochranný kryt skriviť. Zabezpečte, aby sa dal dolný ochranný kryt voľne pohybovať a nedotýkal sa pilového listu ani ostatných súčiastok pri žiadnej možnej hĺbke rezu ani pri žiadnom z nastavitelných uhlov rezu

Skontrolujte stav a činnosť pružiny dolného ochranného krytu. Dajte vykonať na náradí pred jeho použitím opravu, ak dolný ochranný kryt a pružina nepracujú bezchybne.

Poškodené súčiastky, lepkavé usadeniny alebo nakopenia triesok spôsobujú, že dolný ochranný kryt pracuje spomalene.

Pri rezaní „zapichovaním“ (zanorením) s iným ako pravým uhlom zabezpečte vodiacu dosku píly proti bočnému posúvaniu.“ Bočné posunutie môže spôsobiť zablokovanie pilového listu a tým vyvolať spätný ráz.

Nikdy nekladte pílu na pracovný stôl ani na podlahu bez toho, aby bol pilový list krytý dolným ochranným krytom. Nechránený dobiehajúci pilový list spôsobí pohyb píly proti smeru rezu a reže všetko, čo mu stojí v ceste. Pamätajte na dobu dobehu pilového listu.

Funkcia štrbinového klinu

Používajte pre použitý pilový list vždy vhodný štrbinový klin. Štrbinový klin musí byť hrubší ako hrúbka základného telesa pilového listu, ale tenší ako šírka zubov pilového listu.

Štrbinový klin justujte podľa popisu uvedenom v Návode na požívanie. Nesprávna hrúbka, chybná poloha alebo nesprávne nastavenie štrbinového klinu môžu mať za následok, že štrbinový klin nebude môcť účinne zabrániť spätnému rázu.

Štrbinový klin používajte vždy, aj pri vytváraní zárezov.

Štrbinový klin sa pri zarezaní zatlačí nahor a po zarezaní pri pohybe píly vpred automaticky pruží do rezu.

Aby bol štrbinový klin účinný, musí sa nachádzať v štrbine rezu. Pri krátkych rezoch je štrbinový klin pri zabraňovaní vzniku spätného rázu neúčinný.

Nepoužívajte pílu so skriveným štrbinovým klinom. Už drobná porucha môže uzavieranie ochranného krytu spomaliť.

Používajte ochranu sluchu. Pôsobenie hluku môže spôsobiť stratu sluchu.

Použite ochranné vybavenie. Pri práci s elektrickým náradím používajte vždy ochranné okuliare. Doporučujeme taktiež použitie súčastí ochranného odevu a ochrannej obuvi, ako sú protiprašná maska, ochranné rukavice, pevná a neklzajúca obuv, ochranná prilba a ochrana sluchu.

Prach, ktorý vzniká pri práci je často zdraviu škodlivý (napr. pri opracovávaní bukového a dubového dreva, kameňa, farbových náterov, ktoré môžu obsahovať olovo alebo iné škodlivé látky) a nemal by sa dostať do tela. používajte odsávac prachu a nosite vhodnú masku proti prachu. Uskladnený prach dôkladne odstráňte, napr. vysať.



Slov

Pred každou prácou na stroji vytiahnite zástrčku zo zásuvky.

Len vypnutý stroj pripájajte do zásuvky.

Pripojovací kábel držte mimo pracovnej oblasti stroja. Kábel smerujte vždy smerom dozadu od stroja.

Pred každým použitím skontrolovať prístroj, pripojovací kábel, predlžovací kábel a zástrčku, či nedošlo k poškodeniu alebo zostatnutiu. Poškodené časti nechať opraviť odborníkom.

Pilové listy, ktoré nezodpovedajú charakteristikám uvedeným v návode na použitie, nesmú sa použiť.

Nepoužívajte prosím s brusnými kotúčmi!

Pri spracovaní hliníka je potrebné z bezpečnostných dôvodov dodržiavať nasledujúce opatrenia:

- Zapnite spínač poruchovo-ochranného prúdu (FI, RCD, PRCD).
- Stroj pripojte na vhodný odsávací prístroj.
- Stroj pravidelne čistite od nánosov prachu na plášti motora a na ochrannom kryte.
- Hliník sa smie rezať len s použitím k tomu určených špeciálnych rezačích listov.
- Pri rezaní dosiek je potrebné mazanie petrolejom. Tenkostenné profily (do 3 mm) je možné spracovať bez mazania.

POUŽITIE PODĽA PREDPISOV

Ručná okružná píla sa používa k rezaniu masívneho dreva, glejeného dreva, materiálu s podobnými vlastnosťami, hliníkové profily, neželezný kov a plasty.

Tento prístroj sa smie používať len v súlade s uvedenými predpismi.

CE - VYHLÁSENIE KONFORMITY

Vyhlasujeme v našej výhradnej zodpovednosti, že tento produkt zodpovedá nasledovným normám alebo normatívnym dokumentom. EN 60745, EN 55014-1, EN 55014-2, EN 61000-3-2, EN 61000-2-3, podľa predpisov smerníc 2006/42/EC, 2004/108/EEC



Winnenden, 2010-10-25

Rainer Kumpf
Manager Product Development
Splnomocnený zostaviť technické podklady.

SIETOVÁ PRÍPOJKA



Pripájať len na jednofázový striedavý prúd a na sieťové napätie uvedené na štítku. Pripojenie je možné aj do zásuviek bez ochranného kontaktu, pretože ide o konštrukciu ochrannej triedy II.

ÚDRZBA

Vetracie otvory udržiavať stále v čistote.

Čistiť len suchou handrou. Niektoré čistiace prostriedky poškodzujú plasty alebo iné izolované časti. Prístroj udržiňte v čistote a suchu, bez oleja a masti.

Používať len AEG príslušenstvo a náhradné diely. Súčiastky bez návodu na výmenu treba dat vymeniť v jednom z AEG zákazníckych centier (viď brožúru Záruka/Adresy zákazníckych centier).

Pri udaní typu stroja a desaťmiestneho čísla nachádzajúceho sa na štítku dá sa v prípade potreby vyžiadať explozívna schéma prístroja od Vášho zákazníckeho centra alebo priamo v AEG Elektrowerkezeuge, Max-Eyth-Straße 10, D-71364 Winnenden, Germany.

SYMBOLY



Pred prvým použitím prístroja si pozorne prečítajte návod na obsluhu.



POZOR! NEBEZPEČENSTVO!



Prach vznikajúci pri práci môže byť škodlivý zdraviu. Pri práci nosiť vhodnú ochrannú masku, aby sa nedostal do ľudského organizmu.



Pri práci so strojom vždy noste ochranné okuliare.



Pred každou prácou na stroji vytiahnuť zástrčku zo zásuvky.



Príslušenstvo - nie je súčasťou štandardnej výbavy, odporúčané doplnenie z programu príslušenstva.



Massívne drevo (tvrdé, mäkké), drevotriessky a dosky z tvrdých vlákien. Vrstvené drevo. Stolárske dosky a povrstvené dosky



Plasty, vláknami spevnené plasty, papier a tkaniny, akrylové sklo



Sádrové a cementové vláknové dosky



Hliníkové dosky a profily do 15 mm



Elektrické náradie nevyhadzujte do komunálneho odpadu! Podľa európskej smernice 2002/96/ES o nakladaní s použitými elektrickými a elektronickými zariadeniami a zodpovedajúcich ustanovení právnych predpisov jednotlivých krajín sa použité elektrické náradie musí zbierať oddelene od ostatného odpadu a podobrit ekologicky šetrnej recyklácii.



TS 55 E

Znamionowa moc wyjściowa	1500 W
Prędkość bez obciążenia	5500 min ⁻¹
Średnica ostrza piły x średnica otworu	160 x 20 mm
Głębokość cięcia pod kątem 45°	39 mm
Głębokość cięcia pod kątem 90°	55 mm
Ciążar bez kabla	5,4 kg

Informacja dotycząca szumów/wibracji

Zmierzone wartości wyznaczone zgodnie z normą EN 60 745.
 Poziom szumów urządzenia oszacowany jako A wynosi typowo:
 Poziom ciśnienia akustycznego (K = 3 dB(A)) 93 dB (A)
 Poziom mocy akustycznej (K = 3 dB(A)) 104 dB (A)
Należy używać ochroniaku uszu!

Wartości łączne drgań (suma wektorowa trzech kierunków)
 wyznaczone zgodnie z normą EN 60745

Wartość emisji drgań a_h 4,7 m/s²
 Niepewność K = 1,5 m/s²

OSTRZEŻENIE

Podany w niniejszych instrukcjach poziom drgań został zmierzony za pomocą metody pomiarowej zgodnej z normą EN 60745 i może być użyty do porównania ze sobą elektronarzędzi. Nadaje się on również do tymczasowej oceny obciążenia wibracyjnego.

Podany poziom drgań reprezentuje główne zastosowania elektronarzędzia. Jeśli jednakże elektronarzędzie użyte zostanie do innych celów z innym narzędziami roboczymi lub nie jest dostatecznie konserwowane, wtedy poziom drgań może wykazywać odchylenia. Może to wyrazić zwiększyć obciążenie wibracjami przez cały okres pracy.

Dla dokładnego określenia obciążenia wibracjami należy uwzględnić również czasy, w których urządzenie jest wyłączone względnie jest włączone, lecz w rzeczywistości nie pracuje. Może to spowodować wyraźną redukcję obciążenia wibracyjnego w całym okresie pracy.

Należy wprowadzić dodatkowe środki zapobiegawcze celem ochrony obsługującego przed oddziaływaniem drgań, jak na przykład: konserwacja narzędzi roboczych i elektronarzędzi, nagrzanie rąk, organizacja przebiegu pracy.

⚠ OSTRZEŻENIE! Prosimy o przeczytanie wskaźówek bezpieczeństwa i zaleceń, również tych, które zawarte są w załączonej broszurze. Błędy w przestrzeganiu poniższych wskaźówek mogą spowodować porażenie prądem, pożar i/lub ciężkie obrażenia ciała.

Należy starannie przechowywać wszystkie przepisy i wskaźówki bezpieczeństwa dla dalszego zastosowania.

INSTRUKCJE DOTYCZĄCE BEZPIECZEŃSTWA

⚠ NIEBEZPIECZEŃSTWO:

Należy uważać, by ręce nie dostały się w zasięg piłowania i nie dotknęły brzeszczotu. Drugą ręką należy trzymać uchwyty dodatkowy lub obudowę silnika. Gdy obydwie ręce trzymają piłę tartową, brzeszczot nie może ich zranić.

Nie należy chwycić niczego pod obrabianym przedmiotem.

Oszona ochronna nie może chronić Państwa przed brzeszczotem pod obrabianym przedmiotem.

Głębokość cięcia należy dopasować do grubości obrabianego przedmiotu. Powinno być widoczne mniej jak pełna wysokość zębów pod obrabianym przedmiotem.

Nie należy nigdy trzymać przedmiotu do piłowania w ręce lub podtrzymywać nogą. Obrabiany przedmiot należy zabezpieczyć na stabilnym podłożu. Ważne jest, by obrabiany przedmiot dobrze umocować, aby zmniejszyć niebezpieczeństwo kontaktu z ciałem, zablokowanie się brzeszczotu lub utraty kontroli nad urządzeniem.

Trzymaj urządzenie za izolowane powierzchnie chwytne gdy wykonujesz roboty, w trakcie których narzędzie skrawające może natrafić na ukryte przewody prądowe lub na własny kabel. Styczność narzędzia skrawającego z będącym pod napięciem przewodem może spowodować podłączenie części metalowych urządzenia do napięcia i prowadzić do porażenia prądem

elektrycznym.

Przy cięciach wzdłużnych należy używać zawsze oporu lub prostej prowadnicy krawędzi. Polepsza to dokładność cięcia i zmniejsza możliwość, że brzeszczot się zablokuje.

Należy używać zawsze brzeszczotów odpowiedniej wielkości i z pasującym otworem zamocowania (np. gwiazdowym lub okrągłym). Brzeszczoty, które nie pasują do części montażowych piły kręcą się nierównomiernie i prowadzą do utraty kontroli nad urządzeniem.

Nie należy używać nigdy uszkodzonych lub złych podkładek lub śrub do brzeszczotu. Podkładki i śruby do brzeszczotu zostały skonstruowane specjalnie dla Państwa piły, w celu optymalnej wydajności i bezpieczeństwa pracy.

Przyczyny i uniknięcie odbicia zwrotnego:

- Odbicie zwrotne jest nagłą reakcją jako następstw haczących się, zablokowanych lub nieprawidłowo nastawionych brzeszczotów, które prowadzi do tego, że niekontrolowana piła podnosi się i porusza wysuwając z obrabianego przedmiotu w kierunku osoby obsługującej urządzenie;
- Gdy brzeszczot zahaczy się lub zablokuje w zamykającym się rzazie, brzeszczot blokuje się a siła silnika odbija urządzenie w kierunku osoby obsługującej urządzenie;
- Gdy brzeszczot zostanie przekręcony lub nieprawidłowo ustawiony w rzazie, zęby tylnej krawędzi brzeszczotu mogą się zahaczyć na powierzchni obrabianego przedmiotu, przez co brzeszczot wysuwa się z rzazu, a piła odskakuje w kierunku osoby obsługującej urządzenie.

Odbicie zwrotne jest następstwem nieprawidłowego lub błędnego używania piły. Można mu zapobiec stosując odpowiednie środki ostrożności, tak jak opisano niżej.

Piłę należy trzymać obydwojema rękami a ramiona powinny zająć taką pozycję, w której można oprzeć się siłom odbicia zwrotnego. Należy przyjąć pozycję zawsze z boku brzeszczotu, nigdy nie doprowadzić do tego, by brzeszczot znajdował się na jednej linii z ciałem. Przy odbiciu zwrotnym piła może odskoczyć do tyłu, jednak osoba ją obsługująca może zapanować nad siłami odbicia zwrotnego, gdy zostały przedsięwzięte odpowiednie środki zaradcze.

W przypadku, gdy brzeszczot zablokował się lub piłowanie zostało przerwane z innego powodu, należy zwolnić włącznik/wyłącznik i piłę trzymać spokojnie w obrabianym materiale, aż do momentu, gdy brzeszczot znajduje się całkowicie w bezruchu. Nie należy nigdy próbować wyjęcia piły z obrabianego przedmiotu lub ciągnięcia jej do tyłu tak długo, jak długo brzeszczot znajduje się w ruchu, lub mógłoby zdarzyć się odbicie zwrotne. Należy wykryć przyczynę zablokowania się brzeszczotu i usunąć ją odpowiednimi środkami zaradczymi.

Gdy chce się ponownie włączyć piłę, która tkwi w obrabianym przedmiocie, należy brzeszczot wycentrować w rzazie i skontrolować, czy zęby piły nie są zahaczone w obrabianym przedmiocie. W przypadku, gdy brzeszczot jest zablokowany, może on wypaść z obrabianego przedmiotu lub spowodować odbicie zwrotne, gdy piła zostanie ponownie włączona.

Duże płyty należy podprzeć, aby zmniejszyć ryzyko odbicia zwrotnego spowodowane zablokowaniem brzeszczotem. Duże płyty mogą się przegiąć pod ciężarem własnym. Płyty muszą być z dwóch stron podparte, zarówno w pobliżu rzazu, jak i na krawędzi.

Nie należy używać tępych lub uszkodzonych brzeszczotów.

Brzeszczoty z tępymi lub nieprawidłowo ustawionymi zębami powodują podwyższone tarcie, zablokowanie i odbicie zwrotne, spowodowane za wąskim rzazem.

Przed piłowaniem należy dokręcić nastawienia głębokości i kąta cięcia. W przypadku, gdy nastawienia zmienia się podczas piłowania, brzeszczot może się zablokować i tym samym wystąpić odbicie zwrotne.

Należy być szczególnie ostrożnym przy wykonywaniu „ciącia wgłębne” w ukrytym zasięgu pracy, np. w isniejącej ścianie. Wgłębiając się brzeszczot może się przy cięciu w ukrytych obiektach zablokować i spowodować odbicie zwrotne.

Funkcja dolnej osłony

Przed każdym użyciem należy skontrolować, czy osłona ochronna zamyka się prawidłowo. Nie należy używać piły, gdy osłona ochronna nie daje się poruszać bez przeszkód i nie zamyka się natychmiast. Nie dozwolone jest blokowanie lub przysiąganie dolnej osłony ochronnej w pozycji otwartej. Gdy piła upadnie niezamierzenie na podłoże, osłona ochronna może się skrzywić. Należy zabezpieczyć, by osłona ochronna pozostała się bez przeszkód i przy wszystkich kątach i głębokościach cięcia nie dotykała zarówno brzeszczotu jak i innych części.

Należy skontrolować stan i funkcjonowanie sprężyny do osłony ochronnej. Przed użyciem należy urządzenie oddać do oglądu, gdy osłona ochronna i sprężyna pracują nieprawidłowo. Uszkodzone części, klejące się osady lub spiętrzone wióry powodują opóźnioną pracę dolnej osłony ochronnej.

Przy „ciąciach wgłębnych”, które wykonuje się nie pod kątem prostym należy zabezpieczyć płytę prowadzącą piłę przed

przesunięciem bocznym. Boczne przesunięcie może doprowadzić do zablokowania się brzeszczotu i tym samym do odbicia wstecznego. **Piły nie należy odkładać na stole roboczym lub podłożu, gdy osłona ochronna nie zakrywa brzeszczotu.** Niezabezpieczony, będący w wybiegu brzeszczot porusza piłę w kierunku odwrotnym do kierunku cięcia i tnie wszystko, co stoi na przeszkodzie. Przy tym należy uważać na czas opóźnienia wybiegu piły.

Funkcja klina rozdzielnika

Należy używać pasującego do używanego brzeszczotu klina rozczepiającego. Klin rozczepiający musi być grubszy jak grubość nakładanego brzeszczotu, lecz cieńszy niż szerokość zębów brzeszczotu.

Klin rozczepiający należy wyjustować jak opisane zostało to w instrukcji obsługi. Zła grubość, pozycja i ustawienie mogą być przyczyną tego, że klin rozczepiający nie zapobiegnie skutecznie odbiciu wstecznemu.

Klin rozdzielnik należy stosować zawsze, rywnieł przy „ciąciach zagłębionych”. Przy zagłębieniu w materiał klin rozdzielnik dociskany jest do gyry, a po zagłębieniu, przy przesuwaniu w ilarki do przodu, wchodzi samoczynnie w szczelinę kicia.

Aby klin rozczepiający mógł działać, musi on znajdować się w rzazie. Przy krótkich cięciach klin rozczepiający jest bezskuteczny aby zapobiec odbiciu wstecznemu.

Nie należy używać piły z przekrzywionym klinem rozczepiającym. Już małe zakłócenie może opóźnić zamknięcie się osłony ochronnej.

Stosować środki ochrony słuchu! Narażenie na hałas może spowodować utratę słuchu.

Stosować wyposażenie ochronne. Przy pracy maszyną zawsze nosić okulary ochronne. Zalecana jest odzież ochronna, jak maska pyłochronna, rękawice ochronne, mocne i chroniące przed poślizgiem obuwie, kask i ochronniki słuchu.

Pył wydzielający się podczas pracy z elektronarzędziem może być szkodliwy dla zdrowia (np. podczas pracy z takimi materiałami, jak drewno dębowe lub bukowe, kamień, farby mogące zawierać ołów lub inne szkodliwe związki chemiczne) i dlatego też nie powinien on mieć kontaktu z ciałem. Stosować układ pochłaniania pyłu i nosić odpowiednią maskę ochronną. Dokładnie usunąć nagromadzony pył np. przy pomocy odkurzacza.

Przed przystąpieniem do jakichkolwiek prac związanych z elektronarzędziem należy wyjąć wtyczkę z gniazdka.

Elektronarzędzie można podłączać do gniazdka sieciowego tylko wtedy, kiedy jest wyłączone.

Kabel zasilający nie może znajdować się w obszarze roboczym elektronarzędzia. Powinien on się zawsze znajdować za operatorem.

Przed rozpoczęciem pracy sprawdzić, czy na elektronarzędziu, kablu i wtyczce nie ma oznak uszkodzeń lub zmęczenia materiału. Naprawy mogą być przeprowadzane wyłącznie przez upoważnionych Przedstawicieli Serwisu.

Nie używać ostrzy nie odpowiadających głównym parametrom podanym w instrukcji obsługi.

Prześ nie stosować tarcz szlifierskich

Podczas obróbki aluminium, ze względów bezpieczeństwa należy przedsięwziąć następujące środki:



- Należy podłączyć wyłącznik ochronny różnicowy (FI, RCD, PRCD).
- Do maszyny należy podłączyć odpowiednie urządzenie odpylające.
- Maszynie należy regularnie czyścić z nagromadzonego pyłu w obudowie silnika i w pokrywie ochronnej.
- Aluminium można ciąć tylko przewidzianymi do tego celu specjalnymi piłami.
- Podczas cięcia płyt do smarowania należy używać nafty, profile cienkościenne (do 3 mm) można obrabiać bez smarowania.

WARUNKI UŻYTKOWANIA

Pilarka tarczowa może być używana do cięcia drewna litego, drewna klejonego, materiałów drewnopochodnych, profile aluminiowe, metale nieżelazne i tworzyw sztucznych.

Produkt można użytkować wyłącznie zgodnie z jego normalnym przeznaczeniem.

DEKLARACJA ZGODNOŚCI CE


Oświadczamy z pełną odpowiedzialnością, że produkt ten odpowiada wymaganiom następujących norm i dokumentów normatywnych EN 50 144, EN 55 014-1, EN 55 014-2 i jest zgodny z wymaganiami dyrektyw 2006/42/WE, 2004/108/EWG



Winnenden, 2010-10-25

Rainer Kumpf
Manager Product Development
Upelnomocniony do zestawienia danych
technicznych

PODŁĄCZENIE DO SIECI

 Podłączyć tylko do źródła zasilania prądem zmiennym jednofazowym i wyłącznie o napięciu podanym na tabliczce znamionowej. Możliwe jest również podłączenie do gniazdka bez uziemienia, ponieważ konstrukcja odpowiada II klasie bezpieczeństwa.

UTRZYMANIE I KONSERWACJA

Otwory wentylacyjne elektronarzędzia muszą być zawsze drożne.

Czyścić wyłącznie suchą ściereczką. Niektóre środki czyszczące i rozpuszczalniki oddziałują szkodliwie na tworzywa sztuczne i inne izolowane części. Uchwyt urządzenia powinien być czysty, suchy i niezanieczyszczony olejem ani smarem.

Należy stosować wyłącznie wyposażenie dodatkowe i części zamienne AEG. W przypadku konieczności wymiany części, dla których nie podano opisu, należy skontaktować się z przedstawicielami serwisu AEG (patrz lista punktów obsługi gwarancyjnej/serwisowej).

Na życzenie można otrzymać rysunek widoku zespołu rozebranego. Przy zamawianiu należy podać dziesięciocyfrowy numer oraz typ elektronarzędzia umieszczony na tabliczce znamionowej. Zamówienia można dokonać albo u lokalnych przedstawicieli serwisu, albo bezpośrednio w AEG Elektrowerkzeuge, Max-Eyth-Straße 10, D-71364 Winnenden, Germany.

SYMBOLE



Przed uruchomieniem elektronarzędzia zapoznać się uważnie z treścią instrukcji.



UWAGA! OSTRZEŻENIE NIEBEZPIECZYSTWO!



Kurz powstający przy pracy z tym elektronarzędziem może być szkodliwy dla zdrowia, w związku z tym nie powinien dotrzeć do ciała. Nosić odpowiednią maskę przeciwpyłową.



Podczas pracy należy zawsze nosić okulary ochronne.



Przed przystąpieniem do jakichkolwiek prac przy elektronarzędziu należy wyjąć wtyczkę z kontaktu.



Wyposażenie dodatkowe dostępne osobno.



Drewno lite (twarde, miękkie), płyty wiórowe, płyty pilśniowe twarde, sklejkę, płyty stolarskie, płyty fornirowane i laminowane



Tworzywa sztuczne, tworzywa sztuczne wzmocnione włóknami sztucznymi, papier i tkaniny, szkło akrylowe



Płyty pilśniowe ze spoiwem gipsowym i cementowym



Płyty i profile aluminiowe do 15 mm



Nie wyrzucaj elektronarzędzi wraz z odpadami z gospodarstwa domowego! Zgodnie z Europejską Dyrektywą 2002/96/WE w sprawie zużytego sprzętu elektrotechnicznego i elektronicznego oraz dostosowaniem jej do prawa krajowego, zużyte elektronarzędzia należy posegregować i zutylizować w sposób przyjazny dla środowiska.

TS 55 E

Névleges teljesítményfelvétel	1500 W
Üresjáratú fordulatszám	5500 min ⁻¹
Fűrészlap átmérő x lyukátmérő.	160 x 20 mm
Vágási mélység 45 foknál	39 mm
Vágási mélység 90 foknál	55 mm
Súly hálózati kábel nélkül	5,4 kg

Zaj-/Vibráció-információ

A közölt értékek megfelelnek az EN 60 745 szabványnak.

A készülék munkahelyi zajszintje tipikusan:

Hangnyomás szint (K = 3 dB(A))..... 93 dB (A)

Hangteljesítmény szint (K = 3 dB(A)) 104 dB (A)

Hallásvédő eszköz használata ajánlott!

Összesített rezgésértékek (három irány vektoriális összege) az EN 60745-nek megfelelően meghatározva.

a_h rezgésemisszió érték 4,7 m/s²

K bizonytalanság = 1,5 m/s²

FIGYELMEZTETÉS

A jelen utasításokban megadott rezgésszint értéke az EN 60745-ben szabályozott mérési eljárásnak megfelelően került leírásra, és használható elektromos számszámokkal történő összehasonlításához. Az érték alkalmas a rezgésterhelés előzetes megbecsülésére is.

A megadott rezgésszint-érték az elektromos számszám legfőbb alkalmazásait reprezentálja. Ha az elektromos számszámot azonban más alkalmazásokhoz, eltérő használt számszámokkal vagy nem elegendő karbantartással használják, a rezgésszint értéke eltérő lehet. Ez jelentősen megnövelheti a rezgésterhelést a munkavégzés teljes időtartama alatt.

A rezgésterhelés pontos megbecsüléséhez azokat az időket is figyelembe kell venni, melyekben a készülék lekapcsolódik, vagy ugyan működik, azonban ténylegesen nincs használatban. Ez jelentősen csökkentheti a rezgésterhelést a munkavégzés teljes időtartama alatt.

Határozzon meg további biztonsági intézkedéseket a kezelő védelmére a rezgések hatása ellen, például: az elektromos és a használt számszámok karbantartásával, a kezek melegen tartásával, a munkafolyamatok megszervezésével.

⚠ FIGYELMEZTETÉS! Olvasson el minden biztonsági útmutatót és utasítást, a mellékelt brosúrában találhatóakat is. A következőkben leírt előírások betartásának elmulasztása áramütésekhez, tűzhöz és/vagy súlyos testi sérülésekhez vezethet.

Kérjük a későbbi használatra gondosan őrizze meg ezeket az előírásokat.

KÜLÖNLEGES BIZTONSÁGI TUDNIVALÓK

⚠ VESZÉLY:

Sohase tegye be a kezét a fűrészelési területre és sohase érjen hozzá a fűrészlaphoz. Fogja meg a másik kezével a pótfogantyút vagy a motorházat. Ha mindkét kezével tartja a körfűrész, akkor az nem tudja megsérteni a kezét.

Sohase nyúljon be a munkadarab alá. A védőburkolat a munkadarab alatt nem nyújt védelmet a fűrészlappal szemben.

A vágási mélységet a munkadarab vastagságának megfelelően kell megválasztani. A fűrészlapból a munkadarab alatt kevesebb mind egy teljes fogmagasságnynak kell kilátszania.

Sohase a kezével vagy a lábán vagy a lábával próbálja meg a fűrészelésre kerülő munkadarabot lefogni. A megmunkálásra kerülő munkadarabot mindig egy stabil alapra rögzítse.

Nagyon fontos, hogy a munkadarabot biztonságosan rögzítse, hogy csökkentse a fűrészlap beékelődésekor felmerülő veszélyeket, mindenekelőtt annak veszélyét, hogy a munkadarab vagy a készülék nekivágódjon valamelyik testrésznek.

A készüléket a szigetelt markolatfelületeket fogva tartsa, ha olyan munkákat végez, melyeknél a vágószerszám rejtett elektromos vezetékbe vagy saját vezetékébe ütközhet.

A vágószerszám feszültségvezető vezetékkel való érintkezések az készülék fém részei is feszültség alá kerülhetnek, és elektromos áramütés következhet be.

Hosszirányú vágásokhoz használjon mindig egy ütközőt vagy egy egyenes vezetőlécet. Ez megnöveli a vágás pontosságát és csökkenti a fűrészlap beakadásának lehetőségét.

Mindig csak a helyes méretű és a készüléknek megfelelő rögzítő (például csillagalakú vagy körkeresztmetszetű) nyílással ellátott fűrészlapokat használjon. Azok a fűrészlapok, amelyek nem illeszkednek a fűrész rögzítő alkatrészeihez, nem futnak körkörösön és ahhoz vezetnek, hogy a kezelő elveszti a készülék feletti uralmát.

Sohase használjon megrongálódott vagy hibás fűrészlap-alátétárcsákat vagy -csavarokat. A fűrészlap-alátétárcsák és -csavarok kifejezetten az Ön fűrészéhez kerültek kifejlesztésre és hozzájárulnak annak optimális teljesítményéhez és biztonságához.



Égy visszarugás okai és megelőzésének módja:

- egy visszarugás a beakadó, beékelődő, vagy hibás helyzetbe állított fűrészlap következtében fellépő hirtelen reakció, amely ahhoz vezet, hogy a fűrész, amely felett a kezelő elvesztette az uralmát, akaratlanul kiemelkedik a munkadarabból és a kezelő személy felé mutató irányba mozdul;

- ha a fűrészlap az összezáródó fűrészelési részbe beakad vagy beékelődik és leblokkol, és a motor ereje az egész készüléket a kezelő személy irányába rántja vissza;

- ha a fűrészlapot megfordítva vagy hibás irányba állítva teszik be a vágásba, a fűrészlap hátsó élén elhelyezkedő fűrészfogak beakadhatnak a munkadarab felületébe, melynek következtében a fűrészlap kilép a vágásból és a fűrész hátrafelé, a kezelő személy felé mutató irányba ugrik.

Égy visszarugás mindig a fűrész hibás vagy helytelen használatának következménye. Ezt az alábbiakban leírásra kerülő megfelelő óvatossági intézkedésekkel meg lehet gátolni.

Tartsa a fűrész mindkét kezével szorosan fogva és hozza a karjait olyan helyzetbe, amelyben a visszaütő erőket jobban fel tudja venni. A fűrészlaphoz viszonyítva mindig oldalt álljon, sohasem hozza a fűrészlapot a testével egy síkba. Egy visszarugás esetén a körfűrész hátrafelé is tehet egy ugrást, de megfelelő intézkedések meghozatala esetén a kezelő személy a visszaütő erőket fel tudja fogni.

Ha a fűrészlap beszorul, vagy a fűrészelési folyamat valami más okból megszakad, engedje el a be-/kikapcsolót és tartsa nyugodtan a fűrész a munkadarabban, amíg a fűrészlap teljesen le nem áll. Sohasem próbálja meg kivenni a fűrész a munkadarabból, vagy hátrafelé húzni, amíg a fűrészlap még mozgásban van és amíg még egy visszarugás léphet fel. Keresse meg a fűrészlap beszorulásának okát és megfelelő intézkedéssel hárítsa el a hibát.

Ha a munkadarabban álló fűrészlapot újra el akarja indítani, először hozza a fűrészlapot a fűrészelési rész középeré, és ellenőrizze, nincs-e beakadva egy vagy több fog a munkadarabba. Ha a fűrészlap be van szorulva, akkor az újraindításkor kiugorhat a munkadarabból, vagy egy visszarugást is okozhat.

Nagyobb lapok megmunkálásánál támassza ezt megfelelően alá, nehogy egy beszorult fűrészlap következtében visszarugás lépjen fel. A nagyobb méretű lapok saját súlyuk alatt leléghatnak, illetve meggöngyölhetnek. A lapokat mindkét oldalukon, mind a fűrészelési rés közelében, mind a szélükön alá kell támasztani.

Sohasem használjon életlen vagy megrongálódott fűrészlapokat. Az életlen vagy hibásan beállított fogú fűrészlapok egy túl keskeny vágási résben megnövekedett súrlódáshoz, a fűrészlap beragadásához és visszarugásokhoz vezetnek.

A fűrészelés előtt húzza meg szorossra a vágási mélység és vágási szög beállító elemeket. Ha a fűrészelés során megváltoznak a beállítások, a fűrészlap beékelődhet és a fűrész visszarúghat.

Különösen óvatosan kell dolgozni, ha egy nem átlátható területen, például egy fal egyik oldalán hajt végre „súlyesztő vágást”. Az anyagba besüllyedő fűrészlap a fűrészelés közben kívülről nem látható akadályokban megakadhat és ez egy visszarugáshoz vezethet.

Az alsó védősapka funkciója

Ellenőrizze minden használat előtt, hogy a védőburkolat tökéletesen zár-e. Ne használja a fűrész, ha a védőburkolat nem mozog szabadon és nem zár azonnal. Sohasem akassza be vagy kösse meg nyitott helyzetben az alsó védőburkolatot. Ha a fűrész véletlenül leesik a padlóra, a védőburkolat meggöngyölhet. Gondoskodjon arról, hogy a védőburkolat szabadon mozogjon és semmilyen vágási szögnel és vágási mélységnél sem érintse meg sem a fűrészlapot, sem a berendezés egyéb alkatrészeit.

Ellenőrizze használat előtt a védőburkolat és a rugó állapotát és működését. Ha a védőburkolat és annak mozgató rugója nem működik tökéletesen, akkor végeztesse el a megfelelő karbantartási munkákat. Megrongálódott alkatrészek, ragasztós lerakódások, vagy forgácsok lelassítják az alsó védőburkolat működését.

A nem merőleges irányban végrehajtott „súlyesztő vágás” előtt biztosítsa be a fűrész vezetőlapját oldalirányú eltoldódás ellen.

Sohase tegye le a fűrész a munkapadra vagy a padlóra, ha a védőburkolat nem borítja be teljesen a fűrészlapot. Egy véletlen, utánfutó fűrészlap a vágási irányval ellenkező irányba mozog és mindenbe belevág, ami az útjába kerül. Ügyeljen ekkor a fűrész utánfutási idejére.

A védőök funkciója

Mindig az alkalmazásra kerülő fűrészlaphoz pontosan illő feszítőöket használjon. A feszítőöeknek vastagabbnak kell lennie a fűrészlap magvastagságánál (a fűrésztelep vastagságánál), de ugyanakkor vékonyabbnak kell maradnia a fűrészfogak szélességénél.

A Kezelési Utasításban leírtaknak megfelelően állítsa be a feszítőöket. Egy helytelenül megválasztott vastagságú, helyzetű és irányú feszítőök nem tudja hatatosan meggátolni a visszarugást.

Mindig használja a védőöket, „merülő vágás” esetén is. A védőök bemezőkor felfelé nyomódik majd bemezős után a fűrész előre tolásakor automatikusan visszarugózik a vágási hézagba.

A feszítőök csak akkor képes kifejteni a hatását, ha benne van a fűrészelési résben. Egy rövid vágás esetén a feszítőök még nem fejti a hatását és nem képes megakadályozni a visszarugást.

Ha a feszítőök elgöngyöl, ne használja a fűrész. Már egy kis kitérés is lelassíthatja a védőburkolat bezáródását.

Viseljen hallásvédőt. A zajhatás a hallás elvesztését eredményezheti.

Használjon védőfelszerelést! Ha a gépen dolgozik, mindig hordjon védőszemüveget! Javasoljuk a védőruházat, úgymint porvédő maszk, védőcipő, erős és csúszásbiztos lábbeli, sisak és hallásvédő használatát.

A munkavégzők keletkező por (pl. tölgy-, bükkfa, közetek, lakkfestékek, amelyek olmot vagy más káros anyagot tartalmazhatnak) az egészségre ártalmas lehet. Ilyen esetben ajánlatos a megfelelő elszívó berendezés és a védőmaszk használata. A munkaterületen lerakódott port alaposan el kell takarítani.

Bármilyen jellegű karbantartás vagy javítás előtt a készüléket áramtalanítani kell.

A készüléket csak kikapcsolt állapotban szabad ismét áram alá helyezni.

Munka közben a hálózati csatlakozókábelrel a sérülés elkerülése



érdekében a munkaterülettől, illetve a készüléktől távol kell tartani. Használat előtt a készüléket, hálózati csatlakozó- és hosszabbítókábeleket, valamint a csatlakozódugót sérülés és esetleges elhasználódás szempontjából felülről kell vizsgálni és szükség esetén szakemberrel meg kell javíttatni.

Ne használjon olyan fűrészlapot, ami nem egyezik meg a használati útmutatóban feltüntetettekkel.

Ne használjuk csiszolókoronggal!

Alumínium megmunkálásakor biztonsági okokból a következő intézkedéseket kell betartani:

- Kapcsoljon a készülék elé hibaáram-védőkapcsolót (FI, RCD, PRCD).
- Csatlakoztassa a gépet megfelelő elszívó készülékre.
- Tisztítsa meg a gépet rendszeresen a motorházban és a védőburkolatban kialakult porlerakódásoktól.
- Alumíniumot csak az arra előirányzott speciális fűrészlappal szabad fűrészelni.
- Lemezek fűrészelésekor petróleum kenést kell használni, vékonyfalú profilok (3 mm-ig) kenés nélkül megmunkálhatók.

RENDELTETTÉSSZERŰ HASZNÁLAT

A körfűrész használható tömör fák, ragasztott fák, fához hasonló anyagok és műanyagok fűrészelésére használható, alumínium profil, színesfém.

A készüléket kizárólag az alábbiakban leírtaknak megfelelően szabad használni.

CE-AZONOSSÁGI NYILATKOZAT


Teljes felelősségünk tudatában kijelentjük, hogy jelen termék megfelel a következő szabványoknak vagy szabványossági dokumentumoknak: EN 60745, EN 55014-1, EN 55014-2, EN 61000-3-2, EN 61000-2-3, a 2006/42/EK, 2004/108/EGK



Winnenden, 2010-10-25

Rainer Kumpf
Manager Product Development
Műszaki dokumentáció összeállításra
felhatalmazva

HÁLÓZATI CSATLAKOZTATÁS

 A készüléket csak egyfázisú váltóáramra és a teljesítménytáblán megadott hálózati feszültségre csatlakoztassa. A csatlakoztatás védőérintkező nélküli dugaszolóaljzatokra is lehetséges, mivel a készülék felépítése II. védettségű osztályú.

KARBANTARTÁS

A készülék szellőzőnyílásait mindig tisztán kell tartani.

Száraz ruhával tisztítsa. Néhány tisztítószert árthat a műanyagoknak és más szigetelt résznek. Tartsa a készülék fogantyúját tisztán, olaj- és zsírmentesen.

Javításhoz, karbantartáshoz kizárólag AEG alkatrészeket és tartozékokat szabad használni. A készülék azon részeinek cseréjét, amit a kezelési útmutató nem engedélyez, kizárólag a javításra feljogosított márkaszerviz végezheti. (Lásd a szervizlistát)

Szükség esetén a készülékek robbantott ábráját - a készülék típusa és tízjegyű azonosító száma alapján a területileg illetékes AEG márkaszerviztől vagy közvetlenül a gyártótól (AEG Elektrowerkzeuge, Max-Eyth-Straße 10, D-71364 Winnenden, Germany) lehet kérni.

SZIMBÓLUMOK



Kérjük alaposan olvassa el a tájékoztatót mielőtt a gépet használja.



FIGYELEM! FIGYELMEZTETÉSI VESZÉLY!



A munka során keletkező por gyakran egészségre káros, ezért ne kerüljön a szervezetbe. Hordjon e célra alkalmas porvédőmaszkot.



Munkavégzés közben ajánlatos védőszemüveget viselni.



Karbantartás, javítás, tisztítás, stb. előtt előtt a készüléket áramtalanítani kell.



Azokat a tartozékokat, amelyek gyárilag nincsenek a készülékhez mellékelve, külön lehet megrendelni.



Tömör fa (kemény, puha), forgács- és kemény farostlemezek, laminált fa, bútortalapok, furnérozott és bevont lapok



Műanyagok, szálerezítésű műanyagok (GfK), papír és szövet, akrilüveg



Gipsz- és cementkötésű rostlemezek



Alumínium lemezek és profilok 15 mm-ig



Az elektromos kéziszerszámokat ne dobja a háztartási szemétkébe! A használt villamos és elektronikai készülékekről szóló 2002/96/EK irányelv és annak a nemzeti jogba való átültetése szerint az elhasznált elektromos kéziszerszámokat külön kell gyűjteni, és környezetbarát módon újra kell hasznosítani.



TS 55 E

Nazivna sprejemna moč.....	1500 W
Število vrtljajev v prostem teku.....	5500 min ⁻¹
List žage ø x vrtlalni ø.....	160 x 20 mm
Globina reza pri 45°.....	39 mm
Globina reza pri 90°.....	55 mm
Teža brez omrežnega kabla.....	5,4 kg

Informacije o hrupnosti/vibracijah

Vrednosti merjenja ugotovljene ustrezno z EN 60 745.

Raven hrupnosti naprave ovrednotena z A, znaša tipično:

Nivo zvočnega tlaka (K = 3 dB(A)) 93 dB (A)

Višina zvočnega tlaka (K = 3 dB(A)) 104 dB (A)

Nosite zaščito za sluh!

Skupna vibracijska vrednost (Vektorska vsota treh smeri) določena ustrezno EN 60745.

Vibracijska vrednost emisij a_{ah} 4,7 m/s²

Nevarnost K = 1,5 m/s²

**OPOZORILO**

V teh navodilih navedena raven treslajev je bila izmerjena po EN60745 normiranem merilnih postopku in lahko služi medsebojni primerjavi električnih orodij. Prav tako je primeren za predhodno oceno obremenitve s treslajji.

Navedena raven treslajev navaja najpomembnejše vrste rabe električnega orodja. Kadar se električno orodje uporablja za drugačne namene, z odstopajočimi orodji ali pa z nezadostnim vzdrževanjem, lahko raven treslajev tudi odstopa. Le to lahko čez celoten delovni čas znatno zviša obremenitev s tresenjem.

Za natančno oceno obremenitve s treslajji naj bi se upošteval tudi čas v katerem je naprava izklopljena ali sicer teče, vendar dejansko ni v rabi. Le to lahko obremenitev s treslajji čez celoten delovni čas znatno zmanjša.

Za zaščito upravljalca pred učinkom treslajev uvedite dodatne zaščitne ukrepe npr.: Vzdrževanje električnega orodja in orodja, delo s toplimi rokami, organizacija delovnih potekov.

⚠ OPOZORILO! Preberite vsa varnostna opozorila in navodila, tudi tista v priloženi brošuri. Napake zaradi neupoštevanja spodaj navedenih opozoril in napotil lahko povzročijo električni udar, požar in/ali težke telesne poškodbe.

Vsa opozorila in napotila shranite, ker jih boste v prihodnje še potrebovali.

SPECIALNI VARNOSTNI NAPOTKI**⚠ NEVARNO:**

Ne segajte z rokami v območje žaganja in v bližini žaginega lista. Z drugo roko držite dodatni ročaj ali ohišje motorja. Če boste krožno žago držali z obema rokama, žagin list ne bo mogel poškodovati Vaših rok.

Ne segajte pod obdelovanec. Zaščitni okrov vas v tem primeru ne bo mogel zavarovati pred vrtečim se žaginim listom.

Prosimo, da globino reza prilagodite debelini obdelovanca. Znaša naj manj kot višina zoba, ki je vidna pod obdelovancem.

Obdelovanca nikoli ne držite v roki ali čez nogo, ampak ga na stabilni podlagi zavarujte proti premikanju. Dobra pritrditve obdelovanca je zelo pomembna, saj je tako nevarnost, da bi prišlo do telesnega stika, zatikanja žaginega lista ali izgube nadzora, minimalna.

Kadar izvajate dela pri katerih lahko orodje zadane prikrito električno napeljavo ali lasten vodnik, je napravo potrebno držati za izolirane prijemalne površine. Stik rezalnega orodja z napetostnim vodnikom napeljave lahko privede kovinske dele naprave pod napetost in vodi do električnega udara.

Pri vzdolžnih rezih vedno uporabljajte prislon ali ravno robno vodilo. To bo zagotovilo večjo točnost reza in zmanjšalo nevarnost zatikanja žaginega lista.

Vedno uporabljajte žagine liste pravilne velikosti, ki se prilegajo obliki prijemalne prirobnice (rombasta ali okrogla). Žagini listi, ki se ne ujemajo z montažnimi deli žage, se vrtijo neenakomerno in povzročijo izgubo nadzora nad napravo.

Nikoli ne uporabljajte poškodovanih oziroma napačnih podložk ali vijakov žaginega lista. Podložke in vijaki žaginega lista so bili konstruirani posebej za Vašo žago, z namenom doseganja njene optimalne zmogljivost in varnega delovanja.

Vzroki in preprečevanje povratnega udara:

- povratni udarec je nepričakovana reakcija zagozdenega, zataknjenega ali napačno poravnane žaginega lista, zaradi česar se lahko žaga, ki ni več pod nadzorom, premakne iz obdelovanca proti osebi, ki upravlja z žago;

- žagin list se lahko zatakne ali zagozdi v rezu, kar povzroči njegovo blokiranje, moč motorja pa potisne napravo nazaj, proti osebi, ki z njo upravlja;

- če žagin list, ki se nahaja v rezu, zasukate ali če žagin list ni bil pravilno naravnani, se lahko zobje zadnjega roba žaginega lista zataknejo, žagin list skozi iz zarez in odleti vzvratno proti osebi, ki upravlja z žago.

Povratni udarec je posledica napačne uporabe žage. Preprečite ga lahko s primernimi previdnostnimi ukrepi, ki so opisani v nadaljevanju besedila.

Z obema rokama trdno držite žago. Roke premaknite v položaj, v katerem boste lahko kljubovali povratnim udarcem. Vedno stojite ob strani žaginega lista in se nikoli ne premaknite v položaj, v katerem bi bila Vaše telo in žagin list v isti črti. Pri povratnem udarcu lahko krožna žaga skoči nazaj, vendar pa lahko upravljalec povratne udarce obvlada, če je prej primerno ukrepal.

Če žagin list obtiči ali se žaganje prekine iz drugega razloga, spustite vklopno-izklopno stikalo in mirno držite žago v obdelovancu, dokler se žagin list popolnoma ne ustavi. Nikoli ne poskušajte žage odstraniti iz obdelovanca ali jo potegniti nazaj, dokler se žagin list premika ali dokler bi lahko prišlo do povratnega udarca. Poiščite vzrok za zatikanje žaginega lista in ga na ustrezen način odstranite.

Če želite žago, ki je obtičala v obdelovancu, ponovno zagnati, centrirajte žagin list v rezu in preverite, če niso zobje zatakneni v obdelovancu. Zataknen žagin list se lahko izmakne iz obdelovanca in povzroči povratni udarec v trenutku, ko žago ponovno zaženete.

Večje plošče ustrezno podprite in tako zmanjšajte tveganje za nastanek povratnega udarca zaradi zataknenega žaginega lista. Velike plošče se zaradi lastne teže lahko upognejo, zato jih morate podpreti na obeh straneh, torej blizu reza in na robu.

Ne uporabljajte topih ali poškodovanih žaginih listov. Žagini listi s topimi ali napačno poravnanimi zobmi zaradi preozkega reza povzročajo večje trenje, zatikanje žaginega lista in povratni udarec.

Pred žaganjem trdno privijte nastavitev za globino reza in rezalni kot. Če se nastavitev med rezanjem spremenijo, se lahko žagin list zatakne in povzroči povratni udarec.

Še posebno previdni bodite pri »potopnem žaganju« v skrito področje, na primer v obstoječo steno. Žagin list lahko pri potopnem žaganju skritih predmetov blokira in povzroči povratni udarec.

Funkcija spodnjega zaščitnega pokrova

Pred vsako uporabo naprave preverite brezhibno zapiranje spodnjega zaščitnega okrova. Ne uporabljajte žage, če spodnji zaščitni okrov ni prosto gibljiv in se takoj ne zapre. Spodnjega zaščitnega okrova nikoli ne zatikajte ali fiksirajte v odprtem položaju. Če pade žaga nenamerno na tla, se lahko spodnji zaščitni okrov zvije. Odprite ga z ročico za odmik in se prepričajte ali je prosto gibljiv. Zaščitni okrov se pri vseh rezalnih kotih in vseh globinah reza ne sme dotikati niti žaginega lista niti drugih delov žage.

Preglejte delovanje vzmeti za spodnji zaščitni okrov. Če spodnji zaščitni okrov in vzmeti ne delujejo brezhibno, oddajte napravo v popravilo. Poškodovani deli, lepljive obloge ali nabitranje ostružkov so vzrok za upočasnjeno delovanje spodnjega zaščitnega okrova.

Pri »potopnem rezanju«, ki ga ne izvajate navpično, zavarujte osnovno ploščo proti premikanju. Stranski premik lahko povzroči zatikanje žaginega lista in s tem povratni udarec.

Ne odlagajte žage na delovno mizo ali na tla, če spodnji zaščitni okrov ne pokriva žaginega lista. Nezavaran, vrteč se žagin list premakne žago v protismeri reza in žaga vse, kar mu je na poti. Upoštevajte čas izteka žage.

Delovanje klina za razpiranje reže

Uporabljajte zagozdo, ki se prilaga vpetemu žaginemu listu. Zagozda mora biti debelejša od debela žaginega lista, vendar tanjša od širine njegovih zob.

Zagozdo nastavite tako, kot je opisano v navodilu za uporabo. Napačna debelina, položaj in poravnatost so lahko vzrok za to, da zagozda ne bo učinkovito preprečila povratnega udarca.

Klin za razmikanje reže uporabljajte vedno, tudi pri »potopnih rezih«. Klin za razmikanje reže se pri prodiranju pritiska navzgor in se pri pomikanju krožne žage po prodiranju s pomočjo vzmeti avtomatsko namesti v rezo.

Zagozda je učinkovita takrat, ko se nahaja v rezeh. Pri kratkih rezih zagozda ne more preprečiti povratnega udarca.

Žage z zvito zagozdo ne uporabljajte. Že najmanjša motnja lahko upočasnji zapiranje zaščitnega okrova.

Nosite zaščito za sluh. Razvijanje hrupa lahko povzroči izgubo sluha.

Uporabite zaščitno opremo. Pri delu s strojem vedno nosite zaščitna očala. Priporočajo se zaščitna oblačila, kot npr. maska za zaščito proti prahu, zaščitne rokavice, trdno in nedrseče obualo, čelada in zaščita za sluh.

Prah, ki nastaja pri delu, je pogosto zdravju škodljiv (npr. pri obdelovanju hrastovega in bukovega lesa, kamenja, barvnih premazov, ki lahko vsebujejo svinec in druge škodljive snovi) in naj ne zaide v telo. Uporabljajte odsesavanje prahu in dodatno nosite primerno masko za zaščito proti prahu. Prah, ki se usede, temeljito očistite, npr. posesajte.

Pred vsemi deli na stroju izvlecite vtičak iz vtičnice.

Stroj priklopite na vtičnico samo v izklopljenem stanju.

Vedno pazite, da se priključni kabel ne približa področju delovanja stroja. Kabel vedno vodite za strojem.

Pred vsako uporabo kontrolirajte napravo, priključni kabel, kabel za podaljšek in vtičak glede poškodb in obrabe. Poskrbite, da poškodovane dele popravi izključno strokovnjak.

Listi za žago, ki ne odgovarjajo podatkom o značilnosti v tem navodilu za uporabo, se ne smejo uporabiti.

Ne uporabljati brusne plošče

Pri predelavi aluminija je potrebno zaradi varnostnih razlogov upoštevati sledeče ukrepe:

- Predklopite zaščitno stikalo na diferenčni tok (FI, RCD, PRCD).

- Stroj priklopite na primerno sesalno napravo.

- Stroj redno očistite prašnih usedlin v ohišju motorja in v zaščitnem okrovu.

- Aluminij je dovoljeno zgolj žagati s pomočjo za ta namen predvidenimi žaginimi listi.

- Pri žaganju plošč je potrebno mazanje s petrolejem, tankostene profile (do 3 mm) lahko obdelujemo tudi brez mazanja.



UPORABA V SKLADU Z NAMEMBOSTJO

Ročna krožna žaga je uporabna za žaganje masivnega lesa, aluminjski profili, zlepljenih surovin, barvna kovina in umetnih mas.

Ta naprava se sme uporabiti samo v skladu z namembnostjo uporabiti samo za navede namene.

CE-IZJAVA O KONFORMNOSTI

Z lastno odgovornostjo izjavljamo, da je ta produkt skladen z naslednjimi normami ali normativnimi dokumenti. EN 60745, EN 55014-1, EN 55014-2, EN 61000-3-2, EN 61000-2-3, v skladu z določili smernic 2006/42/EC, 2004/108/EEC



Winnenden, 2010-10-25

Rainer Kumpf
Manager Product Development
Pooblaščen za izdelavo spisov tehnične dokumentacije.

OMREŽNI PRIKLJUČEK

Priključite samo na enofazni izmenični tok in samo na omrežno napetost, ki je označena na tipski ploščici. Priključitev je možna tudi na vtičnice brez zaščitnega kontakta, ker obstaja nadgradnja zaščitnega razreda.

VZDRŽEVANJE

Pazite na to, da so prežračevalne reže stroja vedno čiste.

Čistite samo s suho krpo. Marsikatera čistilna sredstva poškodujejo umetno maso ali druge izolirane dele. Skrbite, da bo aparat čist, brez olja in masti.

Uporabljajte samo AEG pribor in nadomestne dele. Poskrbite, da sestavne dele, katerih zamenjava ni opisana, zamenjajo v AEG servisni službi (upoštevajte brošuro Garancija/Naslovi servisnih služb).

Po potrebi se lahko pri vaši servisni službi ali direktno pri AEG Elektrowerkzeuge naroči eksplozijska risba naprave ob navedbi tipa stroja in desetmestne številke s tipske ploščice AEG Elektrowerkzeuge, Max-Eyth-Straße 10, D-71364 Winnenden, Germany.

SIMBOLI



Prosimo, da pred uporabo pozorno preberete to navodilo za uporabo.



POZOR! OPOZORILO! NEVARNO!



Prah, ki nastaja pri delu, je pogosto zdravju škodljiv in naj ne zaide v telo. Nosite ustrezno masko proti prahu.



Pri delu s strojem vedno nosite zaščitna očala.



Pred vsemi deli na stroju izvlcite vtičnice.



Oprema – ni vsebovana v obsegu dobave, priporočeno dopolnilo iz programa opreme.



Masivni les (trd, mehak), iverne plošče in lesonit, vezan les, mizarske plošče, furnirane in prevlečene ploče



Umetne mase, z vlakni ojačane umetne mase (GfK), papir in tkiva, akrilno steklo



Mavčne in cementne vezane vlaknene plošče



Aluminijeve plošče in profili do 15 mm



Elektricnega orodja ne odstranjujte s hišnimi odpadki! V skladu z Evropsko direktivo 2002/96/EC o odpadni električni in elektronski opremitvi in z njenim izvajanjem v nacionalni zakonodaji je treba električna orodja ob koncu njihove življenjske dobe loceno zbirati in jih predati v postopek okolju prijaznega recikliranja.

TS 55 E

Snaga nominalnog prijema.....	1500 W
Broj okretaja praznog hoda.....	5500 min ⁻¹
List pile- ϕ x Bušenje- ϕ	160 x 20 mm
Dubina reza kod 40°.....	39 mm
Dubina reza kod 90°.....	55 mm
Težina bez mrežnog kabla.....	5,4 kg

Informacije o buci/vibracijama

Mjerne vrijednosti utvrđene odgovarajuće EN 60745.

A-ocijenjeni nivo buke aparata iznosi tipično:

nivo pritiska zvuka (K = 3 dB(A)).....	93 dB (A)
nivo učinka zvuka (K = 3 dB(A)).....	104 dB (A)

Nositi zaštitu sluha!

Ukupne vrijednosti vibracije (Vektor suma tri smjera) su odmjerene odgovarajuće EN 60745

Vrijednost emisije vibracije a_h	4,7 m/s ²
Nesigurnost K =.....	1,5 m/s ²

UPOZORENIE

Ova u ovim uputama navedena razina titranja je bila izmjerena odgovarajuće jednom u EN 60745 normiranom mjernom postupku i može se upotrijebiti za usporedbu električnog alata međusobno. Ona je prikladna i za privremenu procjenu titrajnog opterećenja.

Navedena razina titranja reprezentira glavne primjene električnog alata. Ukoliko se električni alat upotrebljava u druge svrhe sa odstupajućim primijenjenim alatima ili nedovoljnim održavanjem, onda razina titranja može odstupati. To može titrajno opterećenje kroz cijeli period rada bitno povisiti.

Za točnu procjenu titrajnog opterećenja se moraju uzeti u obzir i vremena u kojima je uređaj isključen ili u kojima doduše radi, ali nije i stvarno u upotrebi. To može titrajno opterećenje bitno smanjiti za vrijeme cijelog radnog perioda.

Utvrđite dodatne sigurnosne mjere za zaštitu poslužioaca protiv djelovanja titranja kao npr.: Održavanje električnih alata i upotrebljenih alata, održavanje topline ruku, organizacija i radne postupke.

⚠ UPOZORENIE! Pročitajte sigurnosne upute i uputnice, isto i one iz priložene brošure. Ako se ne bi poštivale napomene o sigurnosti i upute to bi moglo uzrokovati strujni udar, požar i/ili teške ozljede.

Sačuvajte sve napomene o sigurnosti i upute za buduću primjenu.

SPECIJALNE SIGURNOSNE UPUTE

⚠ OPASNOST

Rukama ne zalazite u područje rezanja i do lista pile. Držite s obje ruke dodatnu ruku ili kućiste motora. Ako se obim rukama drži kružna pila, list pile ih ne može ozlijediti.

Ne stavljajte prste ispod izratka. Ispod izratka štitnik ih ne može zaštititi od lista pile.

Prilagodite dubinu rezanja debljini izratka. Ispod izratka treba biti vidljiv manje od jedan puni zub.

Piljeni izradak nikada ne držite u rukama ili preko nogu.

Izradak osigurajte na stabilnoj podlozi. Važno je da izradak bude dobro pričvršćen, kako bi se na minimum smanjile opasnosti od dodira s tijelom, uklještenje lista pile ili gubitak kontrole nad njim.

Držite spravu na izoliranim držačkim površinama kada izvodite radove kod kojih rezački alat može pogoditi skrivene vodove struje ili osobni kabel. Kontakt rezačkog alata sa vodovima koji sprovode naponom može metalne dijelove sprave dovesti pod napon i tako dovesti do električnog udara.

Kod uzdužnog rezanja koristite uvijek graničnik ili ravnu vodilicu ruba. Time se poboljšava točnost rezanja i smanjuje mogućnost uklještenja lista pile.

Koristite uvijek listove pile odgovarajuće veličine i odgovarajućeg steznog otvora (npr. zvjezdastog ili okruglog). Listovi pile koji ne odgovaraju montažnim dijelovima pile, okretat će se neokruglo i mogu dovesti do gubitka kontrole nad pilom.

Ne koristite nikada oštećene ili pogrešne podložne pločice lista pile ili vijke. Podložne pločice lista pile i vijci specijalno su konstruirani za vašu pilu, za postizanje optimalnog učinka i radne sigurnosti.

Uzroci i izbjegavanje povratnog udara:

- povratni udar je neočekivana reakcija lista pile koji se je uklješćio, zaglavio ili je loše uravnotežen, što može dovesti do toga da se list pile može nekontrolirano izvući iz izratka i pomaknuti u smjeru osobe koja radi s uređajem;

- ako bi se list pile uklješćio, zaglavio ili blokirao u rasporu piljenja koji se zatvara i ako bi sila motora povratno udarila u uređaj, u smjeru osobe koja s njim radi;

- ako bi se list pile u rezu iskrenuo ili pogrešno izravnao, mogli bi zubi stražnjeg ruba lista pile zahvatiti površinu izratka, zbog čega bi list pile iskočilo iz raspora pile i odskočilo natrag u smjeru osobe koja radi s pilom.

Povratni udar je posljedica pogrešne ili neispravne uporabe pile. On se može spriječiti prikladnim mjerama opreza, koje su opisane u daljnjem tekstu.



Držite pilu čvrsto s obje ruke i postavite vaše ruke u položaj u kojem se mogu podnijeti sile povratnog udara. Postavite se uvijek bočno uz list pile, a nikada tako da list pile bude u liniji s vašim tijelom. Kod povratnog udara kružna pila bi mogla odskočiti natrag, a osoba koja radi s kružnom pilom ne bi mogla savladati sile povratnog udara ako se ne bi poduzele prikladne mjere.

Ukoliko bi se list pile zaglavio ili bi se piljenje prekinulo iz nekog drugog razloga, otpustite prekidač za uključivanje za uključivanje-isključivanje i držite pilu mirno u materijalu sve dok se list pile potpuno ne zaustavi. Ne pokušavajte pilu vaditi iz izratka ili je potezati u natrag, sve dok se list pile pomiče ili bi se mogao dogoditi povratni udar. Pronađite uzrok uklještenja pile i otklonite ga prikladnim mjerama.

Ako pilu koja se je zaglavila u izratku želite ponovno pokrenuti, centrirajte list pile u rasporu piljenja i provjerite da zubi pile nisu zahvatili izradak. Ako bi se uklješčio list pile, on se može pomaknuti iz izratka ili pokušati povratni udar ako će se pila ponovno pokrenuti.

Velike ploče poduprite, kako bi se izbjegla opasnost od povratnog udara zbog uklještenja lista pile. Velike ploče se mogu saviti pod djelovanjem vlastite težine. Ploče se moraju osloniti na obje strane, kako blizu raspora piljenja, tako i na rubu.

Ne koristite tupe ili oštećene listove pile. Listovi pile s tupim ili pogrešno izravnatim zubima, uzrokuju zbog uskog raspora piljenja povećano trenje, uklještenje lista pile i povratni udar.

Prije piljenja ustanovite dubine rezanja i namještanja kuta rezanja. Ako bi se tijekom piljenja promijenila podešavanja, list pile bi se mogao uklješćiti ili dovesti do povratnog udara.

Budite posebno oprezni ako izvodite „prerezivanje“ u skrivenom području, npr. u postojećem zidu. Zarezani list pile bi se kod piljenja u skrivenim objektima mogao blokirati i uzrokovati povratni udar.

Funkcija donjeg sigurnosnog poklopca

Prije svake uporabe provjerite da li štitnik besprijekorno zatvara. Ne koristite pilu ako štitnik nije slobodno pomičan i ako se odmah ne zatvara. Donji štitnik nikada ne uklješćite ili učvrstite u otvorenom položaju. Ako bi se pila nehotično pala na pod, donji štitnik bi se mogao saviti. Treba osigurati da se štitnik može slobodno pomicati i da kod svih kutova i dubina rezanja ne dodiruje list pile niti ostale dijelove.

Provjerite stanje i djelovanje opruge za štitnik. Ako štitnik i opruga ne djeluju besprijekorno, uređaj treba popraviti prije uporabe. Oštećeni dijelovi, ljepljive naslage ili nakupine strugotine mogli bi dovesti do usporenog kretanja donjeg štitnika.

Kod „prerezivanja“ koje se ne izvodi pod pravim kutom, vodeću ploču pile osigurajte od bočnog pomicanja. Bočno pomicanje moglo bi dovesti do uklještenja lista pile a time i do povratnog udara.

Pilu ne odlažite na radni stol ili pod, ako donji štitnik ne pokriva list pile. Nezaštićeni list pile koji se zaustavlja pod inercijom, mogao bi pilu pomaknuti suprotno smjeru rezanja i zarezati sve što mu se nađe na putu. Kod toga treba paziti na vrijeme zaustavljanja lista pile pod djelovanjem inercije.

Funkcija klina za propiljak

Za korištenje list pile upotrijebite odgovarajući klin raspora. Klin raspora mora biti deblji od osnovnog lista, ali i tanji od širine zuba lista pile.

Podesite klin raspora kako je opisano u uputama za uporabu. Pogrešne debljine, pozicija i izravnavanje mogu biti razlog da klin raspora ne može djelotvorno spriječiti povratni udar.

Uporabite uvijek klin za propiljak, i kod rezova uranjanjem. Klin za propiljak potiskuje se kod uranjanja prema gore i pruža se nakon uranjanja, prilikom gibanja kružne pile prema naprijed, samostalno u propiljak.

Da bi klin raspora bio djelotvoran, mora se nalaziti u rasporu pile. Kod kratkih rezova klin raspora je nedjelotvoran, kako bi se spriječilo povratni udar.

Ne radite s pilom ako je klin raspora savijen. Već i manja smetnja u radu može usporiti zatvaranje štitnika.

Nosite zaštitu za sluh. Djelovanje buke može dovesti do gubitka sluha.

Upotrebljavati zaštitnu opremu. Kod radova sa strojem uvijek nositi zaštitne naočale. Preporučuje se zaštitna odjeća, kao zaštitna maska protiv prašine, zaštitne rukavice, čvrste i protiv klijanja sigurne cipele, šljem i zaštitu sluha.

Prašina koja nastaje kod rada je često štetna po zdravlje (npr. kod radova sa hrastovinom, bukovinom, kamenjem, premaznim bojama koje mogu sadržavati olovo ili druge štetne tvari) i ne bi smjela dospjeti u tijelo. Primijeniti usisavanje prašine i dodatno nositi prikladnu zaštitnu masku protiv prašine. Sleglu prašinu temeljito odstraniti, npr. usisati.

Prije radova na stroju izvući utikač iz utičnice.

Samo isključeni stroj priključiti na utičnicu.

Priključni kabel uvijek držati udaljenim sa područja djelovanja. Kabel uvijek voditi od stroja prema nazad.

Prije svake upotrebe uređaj, priključni kabel, produžni kabel i utikač provjeriti u svezi oštećenja i starenja. Oštećene dijelove dati popraviti od strane stručnjaka.

Listovi pile, koji ne odgovaraju karakterističnim podacima u ovoj uputi o upotrebi, se ne smiju upotrebljavati.

Ne upotrebljavati brusne ploče!

Kod obrade aluminijske se iz sigurnosnih razloga moraju poštivati slijedeće mjere:

- Predspojite zaštitnu sklopku struje kvara (FI, RCD, PRCD).

- Stroj priključiti na jedan prikladan usisni uređaj.

- Stroj redovito čistiti od naslaga prašine u kućištu motora i u zaštitnoj haubi.

- Aluminijske se smije piliti samo sa za to predviđenim specijalnim listovima pile.

- Kod piljenja ploča se mora podmazati petrolejom, tankopriljni zidovi (do 3 mm) se mogu obrađivati bez podmazivanja.



PROPISNJA UPOTREBA

Ručna kružna pila je upotrebijiva za piljenje masivnog drva, ljepljenih drva, materijala sličnih drvu, aluminijske profile, obojeni metal i plastičnih tvari.

Ovaj aparat se smije upotrijebiti samo u određene svrhe kao što je navedeno.

CE-IZJAVA KONFORMNOSTI

Izjavljujemo na osobnu odgovornost, da se ovaj proizvod slaže sa slijedećim normama ili normativnim dokumentima. EN 60745, EN 55014-1, EN 55014-2, EN 61000-3-2, EN 61000-3-3, po odredbama smjernica 2006/42/EC, 2004/108/EEC




Winnenden, 2010-10-25

Rainer Kumpf
Manager Product Development

Ovlašten za formiranje tehničke dokumentacije.

PRIKLJUČAK NA MREŽU

 Priključiti samo na jednofaznu naizmjeničnu struju i samo na napon struje, naveden na pločici snage. Priključak je moguć i na utičnice bez zaštitnog kontakta, jer postoji dogradnja zaštitne klase II.

ODRŽAVANJE

Prereze za prozračivanje stroja uvijek držati čistima.

Čistiti samo jednom suhom krpom. Neka sredstva za čišćenje oštećuju plastiku i druge izolirane dijelove. Aparat držati čistim i na suhom, bez ulja i masti.

Primijeniti samo AEG opremu i rezervne dijelove. Sastavne dijelove, čija zamjena nije opisana, dati zamijeniti kod jedne od AEG servisnih službi (poštivati brošuru Garancija/Adrese servisa).

Po potrebi se može zatražiti crtež eksplozije aparata uz davanje podataka o tipu stroja i desetoznamenkastog broja na pločici snage kod Vaše servisne službe ili direktno kod AEG Elektrowerkzeuge, Max-Eyth-Straße 10, D-71364 Winnenden, Germany.

SIMBOLI



Molimo da pažljivo pročitate uputu o upotrebi prije puštanja u rad.



PAŽNJA! UPOZORENIE! OPASNOST!



Prasina koja nastaje prilikom rada je često nezdrava i ne bi smijela dospjeti u tijelo. Nositi prikladnu zaštitnu masku protiv prašine.



Kod radova na stroju uvijek nositi zaštitne naočale.



Prije svih radova na stroju utikač izvući iz utičnice.



Oprema - u opsegu isporuke nije sadržana, preporučena dopuna iz programa opreme.



Masivno drvo (tvrdo, meko), vlaknaste ploče iverice i vlaknaste tvrde ploče, uslojeno drvo, stolarske ploče, furnirane i obložene ploče



Plastika, vlaknom pojačane plastike (GfK), papir i tkanika, akrilno staklo



Gipsne i cementno povezane vlaknaste ploče



Aluminijske ploče i profili do 15 mm



Elektricne alate ne odlažite u kućne otpatke! Prema Europskoj direktivi 2002/96/EC o starim električnim i elektroničkim strojevima i preuzimanju u nacionalno pravo moraju se istrošeni električni alati sakupljati odvojeno i odvesti u pogon za reciklažu.



Hrv

Atsitiēna cēloīi un tā novērdāna:

- atsitiēns ir iestrēguā, iespiēta vai nepareizi orientēta zāla asmens pēkēā reakcija, kuras rezultātā zāis var tikt nekontrolējami mēst augēup un pārvietoties prom no zāijamā priekēmeta;

- ja zāla asmens pēkēdēi iestrēgst vai tiek iespiēsts zāijumā, dzinēja spēks izraisa instrumenta pārvietoānos lietotāja virzienā;

- ja zāla asmens zāijumā tiek pagriezts vai nepareizi orientēts, zāla asmens aizmugurējā malā izvietotie zobi vai aizsitiēns aiz zāijamā priekēmeta virsmas, kā rezultātā zāis var tikt izsviests no zāijuma, liekot zāim pārvietoties lietotāja virzienā.

Atsitiēns ir zāla kūdāinas vai nepareizas lietoānas sekas. No tā var izvairīties, veicot zināmus piesardzības pasākumus, kas aprakstīti turpmākajā izklāstā.

Stingri turiet zāi ar abām rokām, novietojot rokas tādā stāvoklī, lai varētu pretoties reaktīvajam spēkam, kas rodas atsitiēna brīdī. Vienmēr stāviet sādus no zāla asmens, nepieļaujot, lai asmens plakne atrastos uz vienas taisnes ar kādu no iermeā daīām. Atsitiēna brīdī zāis var pārvietoties atpakaīvirzienā, tomēr lietotājs spēj veiksmīgi tikt galā ar reaktīvo spēku, veicot zināmus piesardzības pasākumus.

Ja zāla asmens tiek iespiēsts zāijumā vai zāiēdāna tiek pārtraukta kāda cita iemesla dē, atļaidiet instrumenta ieslēdzēju un mierīgi turiet zāi, līdz tas pilnīgi apstājas. Nekad nemēģiniet izēemt zāla asmeni no zāijuma vai vilkt instrumentu atpakaīvirzienā laikā, kamēr asmens atrodas kustībā, jo tas var izsaukt atsitiēnu. Atrodiet asmens iespieānas cēloni, un to novērsiet, veicot atbilstošus pasākumus.

Ja vēlaties iedarbināt zāi, kura asmens atrodas zāijumā, iecentrijiet asmeni attiecībā pret zāijumu un pārliecinieties, ka tā zobi nav ieīruēies zāijamajā priekēmetā. Ja zāla asmens ir iespiēsts vai ieīruēis, izvelciet to no zāijuma, pretējā gadījumā zāla iedarbināānas brīdī var notikt atsitiēns.

Ja tiek zāiētas liēla izmēra plāksnes, atbalstiet tās, ēdāi samazinot atsitiēna risku, asmenim tiekot iespiēstam zāijumā. Liēla izmēra plāksnes zāiēānas laikā var izliēkties sava svāra iespaidā. Tāpēc plāksnēm jābūt atbalstītām abās pusēs zāijumam, kā arī malas tuvumā.

Neizmantojiet neasus vai bojātus zāla asmeēus. Zāla asmeēi ar neasiem vai nepareizi izliēktiem zobiem veido ēauru zāijumu, kas rada pastiprinātu berzi, var izsaukt zāla asmens iespieānu zāijumā un izraisīt atsitiēnu.

Pirms zāiēānas stingri pieskrūvējiet stipriņēdās skrūves, ar kurām tiek fiksēts zāiēānas dzīlums un leōis. Ja zāiēānas laikā patvaīīgi izmainās zāla iestādījumi, tas var izsaukt asmens iespieānu zāijumā un izraisīt atsitiēnu.

Ievērojiet īpaēdu piesardzību, veicot zāiēānu ar asmens „iegremēdānu” skatienam slēptās vietās, piemēram, sienu tuvumā. Iegremēdātais asmens zāiēānas laikā var iestrēgt slēptajā objektā, izraisot atsitiēnu.

Apakšējā aizsargpārsēga darbība

Lk reizi pirms zāla lietoānas pārbaudiet, vai apakējais asmens aizsargs netraucējis aizveras. Nelietojiet zāi, ja aizsarga pārvietoānās ir traucētas un tas neaizveras pilnīgi un uzreiz. Nekādā gadījumā nemēģiniet piesiet vai citādi nostiprināt aizsargu atvērtā stāvoklī. Ja zāis nejaudē nokrīt uz grīdas, apakējais aizsargs var saliekties. Pārliecinieties, ka aizsargs brīvi pārvietojas, neskarot zāla asmeni vai citas daīas pie jebkura zāiēānas leōia un dzīiūma.

Pārbaudiet aizsarga atspēres stāvokli un pareizu funkcionēānu. Ja aizsargs un/vai tā atspere funkcionē ar traucējumiem, pirms instrumenta lietoānas veiciet tā tehniko apkalpoānu. Aizsarga pārvietoānos var traucēt bojātās daīas, gultēos sacietējus smērvēla vai skaidu uzkrāānās.

Veicot zāiēānu ar asmens „iegremēdānu”, nodroīniet, lai asmens iegremēdāānas laikā netiktu noliekts sāniski un nepārvietotos sānu virzienā, balstplāksnei piespiepties apstrādājamā priekēmeta virsmai. Mēģinājums pārbīdīt asmeni sānu virzienā var izsaukt tā iespieānu zāijumā un izraisīt atsitiēnu.

Nenovietojiet zāi uz darbēgaldā vai uz grīdas, ja apakējais aizsargs nenosedz zāla asmeni. Nenosegts asmens, kas pēc instrumenta izslēgēānas turpina griezties, pārvietē zāi pretējā zāiēānas virzienā, pārzāiēcot visu, kas gadās ceīā. Izslēdzot instrumentu, ēmriet vērā zāla asmens izskrējēna laikā.

ēīēģināzis aizsargpārsēga darbība

Lietojiet ēīēģināzi, kas atbilst iestiprinātajam zāla asmenim. ēīēģināzim jābūt biezākam par zāla asmeni pamatni, tēu plānākam par zāla asmens zobu platumu.

Veiciet ēīēģināba regulēānu, kā norādīts lietoānas pamācībā. Nepareizs ēīēģināba biezums, novietojums un uzstādījums var būt par cēloni ēīēģināba nespējai efektīvi pasargāt lietotāju no atsitiēna.

Visuomet naudokite prapjovos platinimo peilā, taip pat ir „giluminiams pjovimams”. Pjaunant gilyn, prapjovos platinimo peilis spaudpiamas ā virēē ir po panirimo stumiant pjūklā automātēkai ēlenda ā pjovimo plybā.

Lai ēīēģināzis efektīvi veiktu savu uzdevumu, tam zāiēānas laikā jāatrodas zāijumā. Ja zāijums ir īss, ēīēģināzis nespēj efektīvi novērst atsitiēnu.

Nelietojiet zāi, ja tā ēīēģināzis ir saliektis. Jau pie neliēla traucējuma aizsarga aizvērdānās ātrums var samazināties.

Nēsājiet ausu aizsargus. Trokšņa iedarbības rezultātā var rasties dzirdes traucējumi.

Jāizmanto aizsargapriekojums. Strādājot ar mašīnu, vienmēr jānēsā aizsargbrilles. Ieteicams nēsāt aizsargapērbu, kā piemēram, aizsargmasku, aizsargcimdus, kurpes no stingra un neslidēga materiāla, ķiveri un ausu aizsargus.

Putekļi, kas rodas strādājot, bieži ir kaitīgi veselībai (piem. apstrādājot ozolu vai skabārzu koksi, akmeni vai detaļas, kas pārklātas ar svīnu vai citas kaitēgas vielas saturošu krāsu), un tiem nevajadzētu nokļūt ķermenī. Vajag izmantot putekļusūcēju un bez tam nēsāt masku, kas pasargā no putekļiem. Nosēdušos putekļus vajag aizvēkt, piem. nosūknēt.



Pirms jebkādiem darbiem, kas attiecas uz mašīnas apkopi, mašīnu noteikti vajag atvienot no kontaktlīdzdas.

Mašīnu pievienot kontaktlīdzdai tikai izslēgtā stāvoklī.

Pievienojuma kabeli vienmēr turēt atstatus no mašīnas darbības lauka. Kabelim vienmēr jāatrodas aiz mašīnas.

Pirms katras Instrumenta lietošanas pārbaudīt, vai nav bojāts pievienojuma kabelis, pagarinājuma kabelis un kontaktdakša. Bojātās detaļas drīkst remontēt tikai speciālisti.

Zāģu ripas, kas neatbilst šīnī lietošanas pamācībā minētajiem datiem, nedrīkst izmantot.

Nedrīkst lietot slīpripas!

Zāģējot alumīniju, drošības iemeslu dēļ jāievēro šādi noteikumi:

- Iepriekš pievienojiet paliekošās strāvas ierīci (FI, RCD, PRCD).
- Pievienojiet ierīci piemērotam putekļu izvades aparātam.
- Regulāri tīriet ierīci no putekļiem motorā un tā aizsargvākā.
- Alumīnijs ir jāzāģē tikai ar speciāliem zāģa asmeņiem, kas ir izgatavoti tieši šim iemeslam.
- Zāģējot paneļus, tiem jābūt lubricētiem ar petroleju, plānsienu profili (lidz 3 mm) var tikt zāģēti bez lubrikācijas.

NOTEIKUMIEM ATBILSTOŠS IZMANTOJUMS

Rokas ripzāģis ir piemērots veselū koku, limētas koksnes, kokveidīgu sagatavju, alumīnija profilu, krāsainais metāls un plastmasas zāģēšanai.

Šo instrumentu drīkst izmantot tikai saskaņā ar minētajiem lietošanas noteikumiem.

ATBILSTĪBA CE NORMĀM

Ar šo apliecinām, ka esam atbildīgi par to, lai šis produkts atbilstu sekojošām normām vai normatīvajiem dokumentiem: EN 60745, EN 55014-1, EN 55014-2, EN 61000-3-2, EN 61000-2-3, saskaņā ar direktīvu 2006/42/EK, 2004/108/EEK



Winnenden, 2010-10-25

Rainer Kumpf
Manager Product Development
Pilnvarotais tehnikās dokumentācijas sastādītājs.

TĪKLA PIESLĒGUMS

Pieslēgt tikai vienpola mainstrāvas tīklam un tikai spriegumam, kas norādīts uz jaudas paneļa. Pieslēgums iespējams arī kontaktlīdzdām bez aizsargkontaktiem, jo runa ir par uzbūvi, kas atbilst II. aizsargklasei.

APKOPE

Vajag vienmēr uzmanīti, lai būtu tīras dzesēšanas atveres.

Tīrīt tikai ar sausu drānu. Daži tīrītāji var sabojāt plastmasas un citas izolētās detaļas. Aparātu uzturēt tīru un nesmērēt ar eļļu vai taukiem. Izmantojiet tikai firmu AEG piederumus un firmas rezerves daļas. Lieciet nomainīt detaļas, kuru nomaīņa nav aprakstīta, kādā no firmu AEG klientu apkalpošanas servisiem. (Skat. brošūru „Garantija/klientu apkalpošanas serviss“.)

Ja nepieciešams, klientu apkalpošanas servīsa vai tieši pie firmas AEG Elektrowerzeuge, Max-Eyth-StrāBe 10, D-71364 Winnenden, Germany, var pieprasīt instrumenta eksplozijas zīmējumu, šim nolūkam jāuzrāda mašīnas tips un desmitvietīgais numurs, kas norādīts uz jaudas paneļa.

SIMBOLI



Pirms sākt lietot instrumentu, lūdzū, izlasiet lietošanas pamācību.



UZMANĪBU! BĪSTAMI!



Putekļi, kas rodas darba gaitā, bieži ir kaitīgi veselībai un tiem nevajadzētu nokļūt organismā. Jānēsā piemērota maska, kas pasargā no putekļiem.



Strādājot ar mašīnu, vienmēr jānēsā aizsargbrilles.



Pirms veicat jebkādas darbības attiecībā uz mašīnas apkopi, atvienojiet kontaktdakšu no kontaktlīdzdas.



Piederumi - standartaprikojumā neietvertās, bet ieteicamās papildus komplektācijas detaļas no piederumu programmas.



Masīva koksne (cieta, miksta), kokskaidu plātne un cietas šķiedru plātnes, laminēts koks, plātnes ar vidusdaļu no statenisķi limētiem finieriem, finierētas un pārklātas plātnes



Plastmasa, šķiedru plastmasas papīrs un rūpnīcas pleksistīks



Sausās un cementa šķiedru apmetuma plātnes.



Alumīnija paneļi un profili līdz 15 mm



Neizmetiet elektroiekartas sadzīves atkritumos! Saskaņā ar Eiropas Direktīvu 2002/96/EK par lietotajām iekroiekartām, elektronikas iekartām un tas iekļaušanu valsts likumdošana lietotas iekroiekartas ir jāsavāc atsevišķi un jānogada otrreizējai pārstrādei videi draudzīga veida.

Latviski

TS 55 E

Vardinė imamoji galia	1500 W
Sūkių skaičius laisva eiga.....	5500 min ⁻¹
Pjovimo disko \varnothing x gręžinio \varnothing	160 x 20 mm
Pjūvio gylis, esant 45°	39 mm
Pjūvio gylis, esant 90°	55 mm
Svoris be maitinimo laido.....	5,4 kg

Informacija apie triukšmą/vibraciją

Vertės matuotos pagal EN 60 745.

Įvertintas A įrenginio keliamo triukšmo lygis dažniausiai sudaro:

Garso slėgio lygis (K = 3 dB(A))..... 93 dB (A)

Garso galios lygis (K = 3 dB(A))..... 104 dB (A)

Nešioti klausos apsaugines priemones!

Bendroji svyravimų reikšmė (trijų krypčių vektorių suma), nustatyta remiantis EN 60745.

Vibravimų emisijos reikšmė a_h 4,7 m/s²

Paklaida K = 1,5 m/s²

Instrukcijoje nurodyta svyravimų ribinė vertė yra išmatuota remiantis standartu EN 60745; ji gali būti naudojama keliems elektriniams instrumentams palyginti. Ji taikoma ir laikinai įvertinti svyravimų apkravą.

Nurodyta svyravimų ribinė vertė yra taikoma pagrindinėse elektrinio instrumento naudojimo srityse. Svyravimų ribinė vertė gali skirtis naudojant elektrinį instrumentą kitose srityse, papildomai naudojant netinkamus elektrinius instrumentus arba juos nepakankamai techniškai prižiūrint. Dėl to viso darbo metu gali žymiai padidėti svyravimų apkrava.

Siekiant tiksliai nustatyti svyravimų apkravą, būtina atsižvelgti ir į laikotarpį, kai įrenginys yra išjungtas arba jungtas, tačiau faktiškai nenaudojamas. Dėl to viso darbo metu gali žymiai sumažėti svyravimų apkrava.

Siekiant apsaugoti vartotojus nuo svyravimo įtakos naudojamoms papildomos saugos priemonės, pavyzdžiui, elektrinių darbo instrumentų techninė priežiūra, rankų šilumos palaikymas, darbo procesų organizavimas.

⚠ DĖMESIO! Perskaitykite visas saugumo pastabas ir nurodymus, esančius pridėtoje brošiūroje. Jei nepaisysite žemiau pateiktų saugos nuorodų ir reikalavimų, gali trenkti elektros smūgis, kilti gaisras ir/arba galite sunkiai susižaloti arba sužaloti kitus asmenis.

Išsaugokite šias saugos nuorodas ir reikalavimus, kad ir ateityje galėtumėte jais pasinaudoti.

YPATINGOS SAUGUMO NUORODOS

⚠ PAVOJUS:

Nekliokite rankų prie pjūvio vietos ir prie pjūklo disko. Antrąją ranką laikykite priekinėje rankeną arba variklio korpusą. Jei abiem rankom laikysite pjūklą, pjūklo diskas jo negalės supešti.

Nekliokite rankų po apdirbamu ruođiniu. Apsauginis gaubtas neapsaugos jūsų nuo ruođinio apaėioje iđlindusio pjūklo disko.

Pjovimo gylį tinkamai nustatykite pagal ruođinio storą. Ruođinio apaėioje turi matytis điek tiek mađiau, nei per visą pjūklo danties aukđtą, iđlindusi disko dalis.

Pjaunamo ruođinio niekada nelaikykite rankose ar pasidėje ant kojos. Padėkite ruođiną ant stabilaus pagrindo. Labai svarbu ruođiną tinkamai atvirtinti, kad išvengtumėte kūno kontakto su disku, neupstrigtų pjūklo diskas ar neprarastumėte kontrolės.

Dirbdami laikykite prietaisą už izoliuotų vietų, kuriose pjovimo įrenginys pats galėtų liesti paslėptus laidus arba savo paties laidą. Pjovimo įrenginio kontaktas su įtampas laidais gali įelektrinti metalines prietaiso dalis, o tai gali sukelti elektros iškrovą.

Atlikdami iđilginą pjūvą, visada naudokite lygiagrečią atramą arba kreipianėją linuotę. Tuomet pjausite tiksliau ir

sumapinsite galimybę pjūklui ađtrigti.

Naudokite tik tinkamo dydžio diskus. Pjūklo disko skylė turi būti reikiamo dydžio ir formos (pvz., pvaigždės formos arba apskrita). Pjūklo diskai, kurie neatitinka pjūklo tvirtinimo detalės formos, sukasi ekscentriškai, todėl yra prarandama pjūvio kontrolė.

Niekada nenaudokite papeistų ar netinkamų pjūklo disko tarpinio poverplė ir varptų. Pjūklo disko tarpinės poverplės ir varptai buvo sukonstruoti specialiai Jūsų pjūklui, kad būtų garantuoti optimalūs rezultatai ir saugus darbas.

ATATRANKOS PRIEPASTYS IR BŪDAI JOS IĐVENGTI:

- Atatranka yra staigi pjūklo reakcija, atsirandanti tuomet, kai pjūklo diskas upkliūva, ađstringa ar yra blogai nukreipiamas ruođinyje, dėl kurios prietaisas gali nekontroliuojamai iđdokti iđ ruođinio;
- jei pjūklas yra upspaudžiamas pjūvio vietoje, upkliūva arba upsiblokuoja, variklio jėga staiga sviedžia pjūklą atgal, link naudotojo;
- jei pjūklo diskas perkreipiamas ar neteisingai nukreipiamas pjūvio plyđyje, galinės disko dalies dantys gali ađskabinti a ruođinio pavirđiū, todėl pjūklo diskas „iđlipa“ iđ pjūvio plyđio ir pjūklas staiga atđoka link naudotojo.

Atatranka yra netinkamo prietaiso naudojimo arba klaidingo valdymo rezultatas. Atitinkamos priemonės (pr. pemiau) leidžia jos išvengti.

Pjūklą visada tvirtai suspauskite abiem rankom ir rankas laikykite tokioje padėtyje, kad galėtumėte ąveikti atatrankos jėgas. Atsitraukite a šalį nuo pjūklo disko, kad Jūs kūnas jokiū būdu nebūtų vienoje linijoje su pjūklo disku. Dėl atatrankos pjūklas gali atđokti atgal, bet naudojotas turi galimybę suvaldyti atatrankos jėgas, jei imsis atitinkamų priemonių.



Liet

Jei pjūklo diskas upstringa arba jei dėl kokios nors prieštasties pjovimo procesas yra nutraukiamas, išjunkite jungiklį ir pjūklo netraukite iš ruošinio tol, kol pjūklo diskas visiškai nesustos. Niekada nebandykite pjūklo disko ištraukti iš ruošinio ar pjūklą traukti atgal, kol pjūklo diskas dar sukasi, nes tai gali sąlygoti atitrąšką. Suraskite pjūklo disko strigimo priežastį ir imkitės priemonių jai pašalinti.

Jei norite vėl sujungti ruošinyje paliktą pjūklą, centruokite pjūklo diską pjūvio plydyje ir patikrinkite, ar pjūklo dantys nėra išsikabinę a ruošiną. Jei pjūklo diskas stringa, vėl įjungus pjūklą, jis gali išdžioti iš ruošinio arba gali išvykti atitrąška.

Pjaudami didesles plokštes, jas paremkite iš apačios. Taip sumažinsite pjūklo disko strigimo ir atitrąškos riziką. Didelės plokštės dėl savo svorio išlinksta. Plokštės reikia atremti abiejose pusėse, t.y., dalia pjūvio linijos ir dalia plokštės krašto.

Nenaudokite atdūpusių ar papeistų pjūklo diskų. Neadtrūs ar blogai sureguliuoti pjūklo dantys palieka siauresnį pjovimo taką, todėl atsiranda per didelę trintį, atitrąška, stringa pjūklo diskas.

Prieš pjaunant būtina tvirtai ir patikimai užperpti svirtelės, kuriomis reguliuojamas pjovimo gylis ir pjūklo disko posvirio kampas. Jei pjaunant keičiasi pjūklo disko padėtis, pjūklo diskas gali išstrigti ir atsirasti atitrąška.

Darydami apjovos sienose ar kituose nepermatomuose paviršiuose, pvz., sienose, elkitės ypą atsargiai. Išigilinantis pjūklo diskas pjaunant gali upkliūti up paslėptų objektų ir sukelti atitrąšką.

Apatinio apsauginio gaubto veikimas

Prieš kiekvieną naudojimą patikrinkite, ar apsauginis gaubtas tinkamai upsidaro. Nenaudokite pjūklo, jei apsauginis gaubtas negali laisvai judėti ir tuojau savaime neupsidaro. Niekuomet nebandykite upfiksuoti apatinio apsauginio gaubto atidarytoje padėtyje, ką nors ten išsprausdami ar ją pririđdami. Jei pjūklas netyčia nukristų ant kieto pagrindo, gali sulinkti apatinis apsauginis gaubtas. Išitinkinkite, kad apsauginis gaubtas juda laisvai ir neliečia nei pjūklo disko, nei kurios nors kitos dalies, pakreipiant pjūklo diską išvairiais kampais ir nustatant išvairų pjovimo gylį.

Patikrinkite, ar tinkamai veikia apsauginio gaubto spyruoklė. Jei apsauginis gaubtas ir spyruoklė veikia netinkamai, prieš naudojimą prietaisui reikia atlikti techninę profilaktiką. Dėl papeistų dalių, lipnių nuosėdų arba susikaupusių droplių apatinis gaubtas gali sunkiau judėti.

Atlikdami apjovos viduryje ruošinio, kuomet pjaunate ne stačią kampą, saugokitės, kad pjūklo atraminė plokštė nepasislinktų a šalį. Pasislinkus pjūklo atraminei plokštei, gali išstrigti pjūklo diskas ir sukelti atitrąšką.

Prieš padėdami pjūklą ant darbastalo ar ant grindų visada išitinkinkite, kad apsauginis gaubtas updengė pjūklo diską. Jei apsauginis gaubtas neupsidaro, iš inercijos besisukantis pjūklo diskas stumia pjūklą atgal ir pjauna viską, kas pasitaiko jo kelyje. Atminkite, kad, atleidus jungiklį, pjūklo diskas visiškai sustoja tik po kurio laiko.

Skaldiją darbiba

Naudokite sumontuotam pjūklo diskui tinkantą skeliamąją peilą. Pjūklo disko dantų takas turi būti platesnis, o pjūklo disko korpusas plonesnis, nei skeliamojo peilio stori s.

Sureguliuokite skeliamąją peilą, kaip aprađyta naudojimo instrukcijoje. Netinkamas skeliamojo peilio storis, padėtis bei kryptis gali tapti atitrąškos priežastimi.

Vienmę izmantuojiet išeltili, ari „niršanas žaięumos“. Iezaięiot, išlis tiek atspiests zu augšu, un pęę iezaięjuma, ripzaiim pabidodties uz priekšu, pats atsperięi novietojas žaiia vilę.

Skeliamasis peilis yra veiksmingas tik tuomet, kai jis yra pjūvio plydyje. Atliekant trumpus pjūvius, skeliamasis peilis neapsaugo nuo atitrąškos.

Nenaudokite pjūklo su sulenktu skeliamuoju peiliu. Netęi nedidelę kliūtis gali trukdyti apsauginiam gaubtui upsidaryti savaime.

Neišikite klausos apsaugos priemonės. Triukšmo poveikyje galima netekti klausos.

Dėvėkite apsaugines priemones. Dirbdami su mašina visada užsidėkite apsauginius akinius. Rekomenduotina dėvėti apsaugines priemones: apsaugos nuo dulkių respiratorius, apsauges pirštines, kietus batus neslidžiais padais, šalną ir klausos apsaugos priemones.

Darbo metu kylančios dulksės dažnai kenkia sveikatai (pvz., apdorojant ažuolo ir buko medieną, uolienas, daų sluoksnius, kurių sudėtyje yra švino ar kitų kenksmingų medžiagų), todėl turėtų nepatekti į organizmą. Naudokite dulkių nusiurbimą, papildomai neišikite tinkamą apsaugos nuo dulkių kaukę. Kruopščiai pašalinkite, pvz. nusiurbkite, nusėdusias dulkes.

Prieš atlikdami bet kokius įrenginyje, ištraukite iš lizdo kištuką.

Kištuką į lizdą įstatykite, tik kai įrenginys išjungtas.

Maitinimo kabelis turi nebūti įrenginio poveikio srityje. Kabelį visada nuveskite iš galinės įrenginio pusės.

Kiekvieną kartą prieš naudojimą patikrinkite, ar ant prietaiso, maitinimo kabelio, prailginimo kabelio ir kištuko nematyti pažeidimų ar senėjimo požymių. Sugedusias dalis leiskite taisyti tik specialistams.

Draudžiama naudoti pjovimo diskus, kurie neatitinka šioje naudojimo instrukcijoje nurodytų žyminių duomenų.

Nedėkite šilfavimo diskų!

Pjaustant aliuminį, saugumo sumetimais reikia imtis šių priemonių:

- Prijunkite liekamosios srovės prietaisą (FI, RCD, PRCD).

- Prijunkite aparatą prie tinkamo dulkių siurblio.

- Iš aparato reguliariai valykite dulkių sankaupas, susikaupusias variklio korpuse ir apsauginiame gaubte.

- Pjaustyti aliuminį galima tik specialiomis, skirtomis šiam tikslui, pjūklų geležtėmis.

- Prieš pjaustant plokštes, jas reikia sutepti techniniu tepalu; plonasieneis profiliais (iki 3 mm) galima pjaustyti nesutepus.



NAUDOJIMAS PAGAL PASKIRTĮ

Rankiniu diskiniu su gaubtu naudojamas masyviai ir klijuotai medienai, kitoms panašioms į medį gamybinėms medžiagoms, aluminija profils, spalvotuosius metalus ir plastikui pjauti.

Šį prietaisą leidžiama naudoti tik pagal nurodytą paskirtį.

CE ATITIKTIES PAREIŠKIMAS

Mes atsakingai pareiškiamo, kad šis gaminys atitinka tokias normas arba normatyvinius dokumentus: EN 60745, EN 55014-1, EN 55014-2, pagal direktyvų 2006/42/EB, 2004/108/EEB



Winnenden, 2010-10-25

Rainer Kumpf
Manager Product Development
Įgaliojotas parengti techninius dokumentus.

ELEKTROS TINKLO JUNGTIŠ



Jungti tik prie vienfazės kintamos elektros srovės ir tik į specifikacijų lentelėje nurodytos įtamos elektros tinklą. Konstrukcijos saugos klasė II, todėl galima jungti ir į lizdus be apsauginio kontakto.

TECHNINIS APTARNAVIMAS

Įrenginio vėdinimo angos visada turi būti švarios.

Valykite tik sausu skuduru. Kai kurie valikliai gadina plastiką arba izoliuotas dalis. Prietaisą laikykite švarioje ir sausoje vietoje, be alyvos ir tepalų.

Naudokite tik AEG priedus ir atsargines dalis. Dalis, kurių keitimas neaprašytas, leidžiama keisti tik AEG klientų aptarnavimo skyriams (žr. garantiją/klientų aptarnavimo skyrių adresus brošiūroje).

Jei reikia, nurodant įrenginio tipą bei specifikacijų lentelėje esantį dešimtženklį numerį, iš klientų aptarnavimo skyriaus arba tiesiai iš AEG Elektrowerkzeuge, Max-Eyth-Straße 10, D-71364 Winnenden, Germany, galima užsisakyti prietaiso surinkimo brėžinius.

SIMBOLIAI



Prieš pradėdami dirbti su prietaisu, atidžiai perskaitykite jo naudojimo instrukciją.



DĖMESIO! ĮSPĖJIMAS! PAVOJUS!



Darbo metu susidarančios dulksės yra dažnai kenksmingos sveikatai ir todėl turėtų nepatekti į organizmą. Dėvėti tinkamą apsauginę kaukę nuo dulkių.



Dirbdami su įrenginiu visada nešiokite apsauginius akinius.



Prieš atikdami bet kokius darbus įrenginyje, ištraukite kištuką iš lizdo.



Priedas – neįeina į tiekimo komplektaciją, rekomenduojamas papildymas iš priedų asortimento.



Vientisa mediena (kieta, minkšta), medienos drožlių plokštės ir tvirtu pluošto plokštės, laminuota mediena, staliaus plokštės, faneruotos ir dengtos plokštės



Plastikas, pluoštu sutvirtintas plastikinis popierius ir akrilinis stiklas



Gipsu ir cementu surišto pluošto plokštės



Aliumininės plokštės ir profiliai iki 15 mm



Neišmeskite elektros įrengimu ir buitinius šiukšlynus! Pagal ES Direktyva 2002/96/EB dėl naudotų įrengimų, elektros įrengimu ir ju ištraukimo ir valstybinius įstatymus naudotus įrengimus būtina suringti atskirai ir nugabenti antriniu žaliavų perdirbimui aplinkai nekenksmingu būdu.



Liet

TS 55 E

Nimitarbimine	1500 W
Pöörlemiskiirus tühjoosul	5500 min ⁻¹
Saelehe ø x puuri ø	160 x 20 mm
Löikesügavus 45° puhul.....	39 mm
Löikesügavus 90° puhul.....	55 mm
Kaal ilma võrgujuhtmeta	5,4 kg

TÄHELEPANU

Antud juhendis toodud võnketase on mõõdetud EN 60745 standardile vastava mõõtesüsteemiga ning

seda võib kasutada erinevate elektriseadmete omavahelises võrdlemises. Antud näitaja sobib ka esmaseks võnkekoormuse hindamiseks.

Antud võnketase kehtib elektriseadme kasutamisel sihtotstarbeliselt. Kui elektriseadet kasutatakse muudel otstarvetel, muude tööriistadega või seda ei hooldata piisavalt võib võnketase siintoodust erineda. Eeltoodu võib võnketaset märkimisväärselt tõsta terves töökeskkonnas.

Võnketaseme täpseks hindamiseks tuleks arvestada ka aega, mil seade on välja lülitatud või on küll sisse lülitatud, kuid ei ole otseselt kasutuses. See võib märgatavalt vähendada kogu töökeskkonna võnketaset.

Rakendage spetsiaalseid ettevaatusabinõusid töötajate suhtes, kes puutuvad töö käigus palju kokku vibratsiooniga. Nendeks abinõudeks võivad olla, näiteks: elektri- ja tööseadmete korraline hooldus, käte soojendamine, töövoo parem organiseerimine.

⚠ TÄHELEPANU! Lugege kõik ohutusnõuanded ja juhendid läbi, ka juures olevast brošüürist. Ohutusnõuete ja juhiste eiramise tagajärjeks võib olla elektrilöök, tulekahju ja/või rasked vigastused.

Hoidke kõik ohutusnõuded ja juhised edasiseks kasutamiseks hoolikalt alles.

SPETSIAALSSED TURVAJUHISED

⚠ OHUD:

Hoidke käed löikepiirkonnast ja saekettast eemal. Hoidke teise käega lisakäepidest või mootorikorpus. Kui hoiate ketassaagi mõlema käega, ei jää käed saeketta ette.

Ärge viige kätt tooriku alla. Tooriku all ei saa kettakaitse Teid saeketta eest kaitsta.

Kohandage löikesügavus tooriku paksusega. Saeketas võib tooriku alt vähem kui ühe täishamba võrra välja ulatuda.

Ärge kunagi hoidke saetavat toorikut käes või jalgade peal.

Kinnitage toorik stabiilsele alusele. Tooriku korralik kinnitamine on oluline, et ohustada võimalikult vähe keha ning piirata saeketta kinnikiildumise ja tööriista kontrolli alt väljumise oht miinimumini.

Tööde puhul, kus löikeseade võib minna vastu peidetud elektrijuhtmeid või seadme enda toitejuhet, hoidke kinni seadme isoleeritud käepidemetest. Kokkupuude pingestatud juhtmega võib pingestada ka löikeseadme metallist osad ning põhjustada elektrilöögi.

Pikisaagimisel kasutage alati paralleeljuhikut või juhtlauda. See suurendab löike täpsust ja vähendab saeketta kinnikiildumise ohtu.

Müra/vibratsiooni andmed

Mööteväärtused on kindlaks tehtud vastavalt normile EN 60745.

Seadme tüüpiline hinnanguline (A) müratase:

Helirõhutase (K = 3 dB(A))..... 93 dB (A)

Helivõimsuse tase (K = 3 dB(A))..... 104 dB (A)

Kandke kaitseks kõrvaklappe!

Vibratsiooni koguväärtus (kolme suuna vektorsumma) mõõdetud EN 60745 järgi.

Vibratsiooni emissiooni väärtus a_v 4,7 m/s²

Määramatus K = 1,5 m/s²

Kasutage alati saekettaid, mille siseava suurus ja kuju on õiged (romb või ümar). Saekettad, mis ei sobi sae võlliga, pöörlevad eksentriliselt ja põhjustavad tööriista väljumise kasutaja kontrolli alt.

Ärge kunagi kasutage kahjustatud või mittesobivaid saeketta aluseid või polte. Saeketta aluseid ja polte on konstrueeritud spetsiaalselt Teie sae jaoks, tagamaks selle optimaalset jõudlust ja tööohutust.

Tagasilöögi põhjused ja vältimine:

- tagasilöök on sae ootamatu vastureaktsioon, mis tekib, kui saeketas on kinnikiildunud, kõverdunud või selle liikumine on takistatud ning mille tagajärjel tõuseb saag kontrollimatult töödeldavast detailist välja ja „hüppab“ sae kasutaja poole;

- kui sulguv löikejalg saeketta kinni kiilub või selle liikumist takistab, aeglustub saeketta pöörlemine ja mootori vastumõju tulemusel liigub saag kiiresti kasutaja poole;

- kui saeketas löikejäljes vändub või kõverdub, võivad saeketta tagumised hambad jääda puidu pealisse kihti kinni, mille tagajärjel tuleb saeketas löikejäljest välja ja „hüppab“ tagasi sae kasutaja poole.

Tagasilöök on tööriista väärkasutamise ja/või valede töövõtete tagajärg. Seda saab vältida, võttes tarvitusele sobivad ettevaatusabinõud, mis on toodud allpool.

Hoidke saagi tugevalt mõlema käega ja asetage käed sellisel, et suudaksite seista vastu tagasilöögiga kaasnevatele jõududele. Seiske nii, et Teie keha oleks saekettast paremal või vasakul, kuid mitte sellega ühel joonel. Tagasilöögi mõjul võib saag hüpata tagasi, kuid kasutajal on võimalik tagasilöögiga kaasnevaid jõude kontrollida, võttes tarvitusele sobivad ettevaatusabinõud.



Est

Saeketta kinnikiildumisel või lõikamise katkemisel mingil teisel põhjusel vabastage lüliti ja hoidke saagi toorikus liikumatult, kuni saeketas täielikult seiskub. Ärge kunagi püüdke saagi toorikust eemaldada või tagasi tõmmata, kui saeketas pöörleb või kui võib toimuda tagasilöökk. Selgitage välja saeketta kinnikiildumise põhjus ja võtke tarvitusele sobivad meetmed.

Kui soovite tooriku sees olevat saagi uuesti käivitada, sättige saag lõikejälje keskele ja kontrollige, et saehambad ei ole toorikusse haardunud. Kinnikiildunud saeketas võib liikuda üles või tekitada tagasilöögi, kui saag uuesti käivitatakse.

Selleks, et piirata saeketta kinnikiildumise ja tagasilöögi ohtu miinimumini, peab suured plaadid toestama. Suured plaadid kipuvad omaenda kaalu all painduma. Toestused tuleb paigutada plaadi alla mõlemale küljele, lõikejälje lähedale ja plaadi serva äärde.

Ärge kasutage nüri või kahjustatud saeketast. Teritamata või valesti paigaldatud saekettast tekib kitsas lõikejalg, mis põhjustab liigset hõõrdumist, saeketta kinnikiildumist ja tagasilööke.

Enne lõike tegemist peavad lõikesügavuse ja -nurga reguleerimise lukustushoovad olema kindlalt kinnitatud. Kui saeketta seadistused saagimise ajal muutuvad, võib see põhjustada kinnikiildumise ja tagasilöögi.

Olge eriti tähelepanelik, kui teete uputuslõikeid seintes või muudes varjatud piirkondades. Esileulatav saeketas võib varjatud objektide lõikamisel blokeeruda, mille tagajärjeks on tagasilöökk.

Alumise kaitsekatte funktsioon

Iga kord enne kasutamist kontrollige, kas alumine kettakaitse sulgub korralikult. Ärge kasutage saagi, kui alumine kettakaitse ei liigu vabalt ega sulgu koheselt.

Alumist kettakaitset ei tohi avatud asendis kinni kiiluda ega siduda. Kui saag kogemata maha kukub, võib alumine kettakaitse väänduda. Veenduge, et kettakaitse liigub vabalt ja ei puuduta saeketast ega muid detaile mistahes lõikenurkade ja -sügavuste juures.

Kontrollige alumise kettakaitse vedru seisundit ja funktsioneerimist. Kui alumine kettakaitse ja vedru ei funktsioneeri korralikult, tuleb need enne kasutamist parandada lasta. Kahjustatud osade, kleepuvate sadestuste või saepuru kuhjumise tõttu võib alumise kettakaitse töö aeglustuda.

Uputuslõike puhul, mida ei teostata vertikaalselt, veenduge, et alusplaat ei nihku paigast. Külgsuunas nihkumine võib põhjustada saeketta kinnikiildumise ja tagasilöögi.

Enne sae asetamist tööpingile või pörandale jälgige alati, et alumine kettakaitse saeketast katab. Kaitsmata, järelepöörlev saeketas põhjustab sae liikumise tagasi, löigates kõike, mis teele jääb. Pöörake tähelepanu sae järelepöörlemise ajale.

Lõikekiilu funktsioon

Kasutage paigaldatud saeketta jaoks sobivat lõikekiilu.

Lõikekiil peab olema paksem kui saeketas, kuid õhem kui saeketta hambalaius.

Justeeri lõikekiil kasutusjuhendis toodud viisil. Vale paksuse, asendi ja seadistuse tõttu ei pruugi lõikekiil tagasilööki tõhusalt ära hoida.

Kasutage alati lõikekiilu, ka „uputuslõigete“ puhul. Lõikekiil surutakse uputamisel üles ja see vetrub pärast saeketta uputamist sae ettenihutamisel lõikejälge automaatselt tagasi.

Et lõikekiil saaks toimida, peab ta asuma lõikejäljes. Lühikeste lõigete puhul ei suuda lõikekiil tagasilööki ära hoida.

Ärge kasutage saagi, mille lõikekiil on väändunud. Juba väike häire võib kettakaitse sulgumist aeglustada.

Kandke kaitseks kõrvaklappe. Müra mõju võib kutsuda esile kuulmise kaotuse.

Kasutada kaitsevarustust. Masinaga töötamisel kanda alati kaitseprille. Kaitseriietusena soovitakse kasutada tolmumaski kaitsekindaid, kinniseid ja libisemisvastase tallaga jalanõusid, kiivrit ja kuulmisteede kaitset.

Töötamisel tekkiv tolm on sageli tervistkahjustav (nt tamme- ja pöögipuidu, kivimite, värvkatete töötlemisel, mis võivad sisaldada pliidi või muid kahjulikke aineid) ning ei tohiks organismi sattuda. Kasutage tolmü äraimemist ning kandke täiendavalt sobivat tolmukaitsemaski. Kogunenud tolm eemaldage põhjalikult, nt imemisega.

Enne kõiki töid masina kallal tõmmake pistik pistikupesast välja.

Masin peab pistikupesast ühendamisega olema alati väljalülitatud seisundis.

Hoidke ühendusjuhe alati masina tööpiirkonnast eemal. Vedage juhe alati masinast tahapoole.

Enne iga kasutamist kontrollige seadet, ühendusjuhtmeid, pikendusjuhtmeid ja pistikuid, et poleks kahjustusi ega materjali väsimist. Kahjustatud osi laske parandada ainult spetsialistil.

Saelehti, mis ei vasta käesoleva kasutamise juhendi karakteristikutele, ei tohi kasutada.

Lihvimiskettaid ei tohi kasutada!

Saagides alumiiniumi, ohutuse tagamiseks tuleb järgida järgmisi tingimusi:

- Eelnevalt ühenda diferentsiaalvoolu seade (FI, RCD, PRCD).

- Ühendada seadet sobiva tolmü ekstraktori juurde.

- Regulaarselt puhastada seadet tolmü setetest mootoris ja kaitsekaanes.

- Alumiiniumi tuleb saakida spetsiaalse saagiteraga, mis on valmistatud selleks eesmärgiks.

- Paneelide saagimiseks neid tuleb lubritseerida petrooleumiga, õhukese seinaprofiilid (kuni 3 mm) võivad olla saagitud ilma lubritseerimiseta.



KASUTAMINE VASTAVALT OTSTARBELE

Käsitreissaagi saab rakendada massiivpuidu, liimpuidu, puidusarnaste materjalide, alumiiniumprofiilidesse, värviline metall ja plasti saagimiseks.

Antud seadet tohib kasutada ainult vastavalt äranäidatud otstarbele.

EÜ VASTAVUSAVALDUS

Me deklareerime ainuvastutajatena, et antud toode on kooskõlas järgmiste normide või normdokumentidega: EN 60745, EN 55014-1, EN 55014-2, EN 61000-3-2, EN 61000-2-3, vastavalt direktiivide 2006/42/EÜ, 2004/108/EMÜ



Winnenden, 2010-10-25

Rainer Kumpf
Manager Product Development

On volitatud koostama tehnilist dokumentatsiooni.

VÕRKU ÜHENDAMINE

Ühendage ainult ühefaasilise vahelduvvooluga ning ainult andmesildil toodud võrgupingega. Ühendada on võimalik ka kaitsekontaktita pistikupesadesse, kuna nende konstruktsioon vastab kaitseklassile II.

HOOLDUS

Hoidke masina õhutuspilud alati puhtad.

Puhastage ainult kuiva rätikuga. Mõned puhastusvahendid kahjustavad plasti või teisi isoleeritud osi. Hoidke seadet puhta ja kuivana, eemal õlist ja rasvast.

Kasutage ainult AEG tarvikuid ja tagavaraosi. Detailid, mille väljavahetamist pole kirjeldatud, laske välja vahetada AEG klienditeeninduspunktis (vaadake brošüüri garantii / klienditeeninduste aadressid).

Vajaduse korral võite tellida seadme läbilõikejoonise, näidates ära masina tüübi ja andmesildil oleva kümnekojalise numbriga. Selleks pöörduge klienditeeninduspunkti või otse: AEG Elektrowerkzeuge, Max-Eyth-Strabe 10, D-71364 Winnenden, Germany.

SÜMBOLID



Palun lugege enne käiklaskmist kasutusjuhend hoolikalt läbi.



ETTEVAATUST! TÄHELEPANU! OHUD!



Töö ajal tekkiv tolm on sageli tervistkahjustav ning ei tohiks sattuda organismi. Kanda sobivat kaitsemaski.



Masina töötaades kandke alati kaitseprille.



Enne kõiki töid masina kallal tõmmake pistik pistikupesast välja.



Tarvikud - ei kuulu tarne komplekti, soovitatav täiendus on saadaval tarvikute programmis.



Täispuid (tugev, õrn), laastplaadid ja tugevad puidkiudplaadid, lamineeritud puu, plokplaat, vineeritud ja kaetud plaadid.



Plastmass, kiduplastmassi paber ja tehase plexiklaas



Kips ja tsemendi kiud krohvplaat



Alumiiniumpaneelid ja profiilid kuni 15 mm



Ärge käidelda kasutuskõlbmatuks muutunud elektrilisi tööriistu koos olmejäätmetega! Vastavalt Euroopa Parlamendi ja nõukogu direktiivile 2002/96/EÜ elektri- ja elektroonikaseadmete jäätmete kohta ning direktiivi nõuete kohaldamisele liikmesriikides tuleb asutuskõlbmatuks muutunud elektrilised tööriistad koguda eraldi ja keskkonnasäästlikult korduskasutada või ringlusse võtta.

TS 55 E

Номинальная выходная мощность	1500 W
Число оборотов без нагрузки (об/мин).....	5500 min ⁻¹
Диаметр диска пилы x диаметр отверстия.....	160 x 20 mm
Глубина пиления при 45°	39 mm
Глубина пиления при 90°	55 mm
Вес без кабеля	5,4 kg

Информация по шумам/вибрации

Значения замерялись в соответствии со стандартом EN 60 745. Уровень шума прибора, определенный по показателю A, обычно составляет:

Уровень звукового давления (K = 3 dB(A))	93 dB (A)
Уровень звуковой мощности (K = 3 dB(A)).....	104 dB (A)

Пользуйтесь приспособлениями для защиты слуха.

Общие значения вибрации (векторная сумма трех направлений) определены в соответствии с EN 60745.

Значение вибрационной эмиссии a _w	4,7 m/s ²
Небезопасность K =	1,5 m/s ²

ВНИМАНИЕ

Указанный в настоящем руководстве уровень вибрации измерен в соответствии с технологией измерения, установленной стандартом EN 60745 и может использоваться для сравнения электроинструментов друг с другом. Он также подходит для предварительной оценки вибрационной нагрузки.

Указанный уровень вибрации представляет основные виды использования электроинструмента. Но если электроинструмент используется для других целей, используемый инструмент отклоняется от указанного или техническое обслуживание было недостаточным, то уровень вибрации может отклоняться от указанного. В этом случае вибрационная нагрузка в течение всего периода работы значительно увеличивается.

Для точной оценки вибрационной нагрузки необходимо также учитывать время, в течение которого прибор отключен или включен, но фактически не используется. В этом случае вибрационная нагрузка в течение всего периода работы может существенно уменьшиться.

Установите дополнительные меры безопасности для защиты пользователя от воздействия вибрации, например: техническое обслуживание электроинструмента и используемого инструмента, поддержание рук в теплом состоянии, организация рабочих процессов.

⚠ ВНИМАНИЕ! Ознакомьтесь со всеми указаниями по безопасности и инструкциями, в том числе с инструкциями, содержащимися в прилагающейся брошюре. Упущения, допущенные при соблюдении указаний и инструкций по технике безопасности, могут стать причиной электрического поражения, пожара и тяжелых травм.

Сохраняйте эти инструкции и указания для будущего использования.

РЕКОМЕНДАЦИИ ПО ТЕХНИКЕ БЕЗОПАСНОСТИ

⚠ ОПАСНОСТЬ:

Держите Ваши руки в стороне от пропила и пыльного полотна. Держите Вашей второй рукой пилу за дополнительную рукоятку или корпус мотора. Если Вы обеими руками держите дисковую пилу, то пыльное полотно не может ранить Вам руки.

Не подхватывайте деталь. Защитный коллак не может защитить под деталью от пыльного полотна.

Установливайте глубину реза в соответствии с толщиной детали. Под деталью пыльное полотно не должно высовываться более чем на один зуб.

Никогда не держите распиливаемую деталь в руке или над ногой. Деталь должна надежно лежать на прочной опоре. Важно хорошо закрепить деталь, чтобы сократить до минимума опасность контакта с телом, заклинивания пыльного полотна или потери контроля.

Если Вы выполняете работы, при которых режущий инструмент может зацепить скрытую электропроводку или собственный кабель, инструмент следует держать за специально предназначенные для этого изолированные поверхности. Контакт режущего инструмента с токоведущим проводом может ставить под напряжение металлические части прибора, а также приводить к удару электрическим током.

Используйте всегда при продольном резании упор или прямую направляющую кромку. Это улучшает точность реза и снижает возможность заклинивания пыльного полотна.

Всегда применяйте пыльные полотна с правильными размерами и соответствующим отверстием крепления.

Никогда не применяйте поврежденные или неправильные подкладочные шайбы для пыльных дисков или крепежные винты. Подкладочные шайбы для пыльных дисков и крепежные винты специально сконструированы для Вашей пилы, для оптимальной производительности и эксплуатационной безопасности.

Причины и предотвращение обратного удара:

- обратный удар это неожиданная реакция вследствие цепляющегося, заклинивающегося или неправильно выверенного пыльного полотна, которая ведет к выходу неконтролируемой пилы из детали в направлении оператора.

- если пыльное полотно зацепится или заклинить в замыкающемся пропиле, то сила мотора выбивает прибор назад в направлении оператора.



- если пильное полотно будет перекошено или неправильно выверено в пропилах, то зубья задней кромки пилы могут врезаться в поверхность детали, что ведет к выходу пильного полотна из пропила и резкому выбросу пилы в направлении оператора.

Обратный удар является следствием неправильного или ошибочного использования пилы. Он может быть предотвращен соответствующими мерами предосторожности, описанными ниже.

Держите пилу крепко обеими руками и расположите при этом руки так, чтобы Вы могли бы противостоять силам обратного удара. Стойте всегда в стороне от оси пильного полотна, не ведите никогда пильное полотно по оси Вашего тела. При обратном ударе пила может выскочить назад, однако, оператор может противостоять силам обратного удара, если были приняты соответствующие меры.

При заклинивании пильного полотна или, если резание будет прервано по другой причине, отпустите выключатель и держите пилу спокойно в детали до полной остановки пильного полотна. Никогда не пытайтесь вынуть пильное полотно из детали, вынести его назад пока оно находится во вращении или если может возникнуть обратный удар. Найдите причину заклинивания пильного полотна и устраните ее соответствующими мерами.

Если Вы хотите опять включить застрявшую в детали пилу, то сначала отцентрируйте пильное полотно в пропилах и проверьте свободу зубьев полотна. Заклиненное пильное полотно может выйти из детали или вызвать обратный удар при повторном включении пилы.

Большие плиты должны лежать на опорах для уменьшения риска обратного удара при заклинивании пильного полотна. Большие плиты могут прогибаться под собственным весом. Плиты должны лежать на опорах с обеих сторон, как вблизи пропила, так и с края.

Не пользуйтесь тупыми или поврежденными пильными полотнами. Пильные полотна с тупыми или неправильно выверенными зубьями ведут в результате очень узкого пропила к повышенному трению, заклиниванию пильного полотна и обратному удару.

Перед распиливанием затяните крепко установочное устройство глубины реза и угла пропила. Если при распиливании настройка изменится, то пильное полотно может заклинить и возникнуть обратный удар.

Будьте особенно осторожны при выполнении пропила «погружением» в скрытом диапазоне, например в готовой стене. Погружающееся пильное полотно может при пилении заблокироваться в скрытом объекте и вызвать обратный удар.

Функция нижнего защитного кожуха

Перед каждым включением проверяйте безупречное замыкание нижнего защитного колпака. Не пользуйтесь пилой, если движение нижнего защитного колпака ограничено и он не сразу закрывается. Никогда не заклинивайте и не завязывайте нижний защитный колпак в открытом положении. Если пила случайно упадет на пол, то нижний защитный колпак может быть погнут. Обеспечьте свободный ход защитного колпака и исключение соприкосновения пильного полотна с другими частями при всех углах распиловки и любой глубины пропила.

Проверьте функцию пружины для нижнего защитного колпака. При неисправной функции нижнего защитного колпака и пружины сдайте электроинструмент на техническое обслуживание до начала работы.

Поврежденные части, склеивающиеся отложения или скопления стружки являются причиной замедленного срабатывания нижнего защитного колпака.

При выполнении пропила с погружением и не под прямым углом направляющая плита пилы должна быть предохранена от бокового смещения.

Не кладите пилу на верстак или на пол, не закрыв предварительно пильное полотно защитным колпаком. Незащищенное пильное полотно на выбеге двигает пилу против направления реза и распиливает все, что стоит на пути. Учитывайте при этом продолжительность выбега пилы.

Функция разжимного клина

Применяйте распорный клин, отвечающий используемому пильному полотну. Распорный клин должен быть шире чем толщина основы пильного полотна, но тоньше, чем ширина зубьев пильного полотна.

Установите распорный клин согласно описанию в руководстве по эксплуатации. Неправильная толщина, позиция и выверка могут быть причиной неэффективного предотвращения обратного удара распорным клином.

Всегда используйте клин, в том числе при «пропилах с погружением». При погружении клин подается вверх и пружинит после погружения циркулярной пилы в пропил.

Распорный клин действует только если он находится в пропилах. В коротких резах распорный клин не может предотвратить обратный удар.

Не работайте с пилой с погнутым распорным клином. Ужe незначительная помеха может вызвать замедление закрытия защитного колпака.

Используйте наушники! Воздействие шума может привести к потере слуха.

Пользоваться средствами защиты. Работать с инструментом всегда в защитных очках. Рекомендуется спецодежда: пылезащитная маска, защитные перчатки, прочная и нескользящая обувь, каска и наушники.

Пыль, образующаяся при работе с данным инструментом, может быть вредна для здоровья (напр. при работе с дубом или буком, камнями, краской, которая может содержать свинец или другие вредные химикаты) и попасть на тело. Пользуйтесь системой пылеудаления и надевайте подходящую защитную маску. Тщательно убирайте скапливающуюся пыль (напр. пылесосом).

Перед выполнением каких-либо работ по обслуживанию инструмента всегда вынимайте вилку из розетки.

Вставляйте вилку в розетку только при выключенном инструменте.

Держите силовой провод вне рабочей зоны инструмента. Всегда прокладывайте кабель за спиной.

Перед включением проверьте инструмент, кабель и вилку на предмет повреждений или усталости материала. Ремонт может производиться только уполномоченными Сервисными Организациями.

Не применяйте диски, не соответствующих параметрам, приведенным в настоящей инструкции по эксплуатации.

Не использовать шлифовальные круги!



В целях безопасности при обработке алюминия необходимо соблюдать следующие меры:

- Подключите на входе автомат защитного отключения тока утечки (FI, RCD, PRCD).
- Подключите машину к подходящему отсасывающему устройству.
- Регулярно очищайте машину от отложений пыли в корпусе электродвигателя и в защитном кожухе.
- Алюминий разрешается пилить только при помощи подходящих для этого специальных пыльных полотен.
- При пилении листов их следует смазывать керосином. Тонкостенный профиль (толщиной до 3 мм) можно обрабатывать без смазки.

ИСПОЛЬЗОВАНИЕ

Циркулярная пила может использоваться для пиления деревянного массива, деревянных связей, многослойной фанеры, материалов схожих с деревом и пластика.

Не пользуйтесь данным инструментом способом, отличным от указанного для нормального применения.

ДЕКЛАРАЦИЯ О СООТВЕТСТВИИ СТАНДАРТАМ ЕС

Мы заявляем что этот продукт соответствует следующим стандартам: EN 60745, EN 55014-1, EN 55014-2, EN 61000-3-2, EN 61000-2-3, в соответствии с правилами 2006/42/EC, 2004/108/EEC



Winnenden, 2010-10-25

Rainer Kumpf
Manager Product Development

Уполномочен на составление технической документации.

ПОДКЛЮЧЕНИЕ К ЭЛЕКТРОСЕТИ



Подсоединять только к однофазной сети переменного тока с напряжением, соответствующим указанному на инструменте. Электроинструмент имеет второй класс защиты, что позволяет подключать его к розеткам электропитания без заземляющего вывода.

ОБСЛУЖИВАНИЕ

Всегда держите охлаждающие отверстия чистыми.

Производите очистку только сухой тканью. Некоторые очищающие вещества и растворители губительны для пластика и других частей аппарата. Защищайте рукоятку от попадания масла и смазки, содержите ее в чистоте и сухости.

Пользуйтесь аксессуарами и запасными частями только фирмы AEG. В случае возникновения необходимости в замене, которая не была описана, пожалуйста, обращайтесь на один из сервисных центров (см. список наших гарантийных/сервисных организаций).

При необходимости может быть заказан чертеж инструмента с трехмерным изображением деталей. Пожалуйста, укажите десятизначный номер и тип инструмента и закажите чертеж у Ваших местных агентов или непосредственно у AEG Elektrowerkzeuge, Max-Eyth-Straße 10, D-71364 Winnenden, Germany.

СИМВОЛЫ



Пожалуйста, внимательно прочтите инструкцию по использованию перед началом любых операций с инструментом.



ВНИМАНИЕ! ПРЕДУПРЕЖДЕНИЕ! ОПАСНОСТЬ!



Пыль, возникающая при работе данным инструментом, может нанести вред здоровью. Не следует допускать её попадания в организм. Надевайте противопылевой респиратор.



При работе с инструментом всегда надевайте защитные очки.



Перед выполнением каких-либо работ по обслуживанию инструмента всегда вынимайте вилку из розетки.



Дополнитель - В стандартную комплектацию не входит, поставляется в качестве дополнительной принадлежности.



Массив древесины (твердая, мягкая), ДСП, твердые ДВП, клееная древесина, столярные плиты, плиты с облицовкой и покрытием



Пластик, стеклопластик, бумага и ткани, акриловое стекло



Гипсо- и цементно-волокнистые листы



Алюминиевые листы и профиль до 15 мм



Не выбрасывайте электроинструмент с бытовыми отходами! Согласно Европейской директиве 2002/96/EC по отходам от электрического и электронного оборудования и соответствующим нормам национального права вышедшие из употребления электроинструменты подлежат сбору отдельно для экологически безопасной утилизации.



TS 55 E

Номинална консумирана мощност.....	1500 W
Обороти на празен ход.....	5500 min ⁻¹
Ø на режещия диск x Ø на отвора	160 x 20 mm
Дълбочина на рязане при 45°.....	39 mm
Дълбочина на рязане при 90°.....	55 mm
Тегло без мрежов кабел.....	5,4 kg

Информация за шума/вибрациите

Измерените стойности са получени съобразно EN 60745.

Оцененото с A ниво на шума на уреда е съответно:

Ниво на звукова мощност (K = 3 dB(A)) 93 dB (A)

Ниво на звукова мощност (K = 3 dB(A)) 104 dB (A)

Да се носи предпазно средство за слуха!

Общите стойности на вибрациите (векторна сума на три посоки) са определени в съответствие с EN 60745.

Стойност на емисии на вибрациите a_v..... 4,7 m/s²

Несигурност K = 1,5 m/s²

ВНИМАНИЕ

Посоченото в тези инструкции ниво на вибрациите е измерено в съответствие със стандартизиран в EN 60745 измервателен метод и може да се използва за сравнение на електрически инструменти помежду им. Подходящ е и за временна оценка на вибрационното натоварване.

Посоченото ниво на вибрациите представя основните приложения на електрическия инструмент. Ако обаче електрическият инструмент се използва с друго предназначение, с различни сменяеми инструменти или при недостатъчна техническа поддръжка, нивото на вибрациите може да е различно. Това чувствително може да увеличи вибрационното натоварване по време на целия работен цикъл.

За точната оценка на вибрационното натоварване трябва да се вземат предвид и периодите от време, в които уредът е изключен или работи, но в действителност не се използва. Това чувствително може да намали вибрационното натоварване по време на целия работен цикъл.

Определете допълнителни мерки по техника на безопасност в защита на обслужващия работник от въздействието на вибрациите като например: техническа поддръжка на електрическия инструмент и сменяемите инструменти, поддържане на ръцете топли, организация на работния цикъл.

⚠ ВНИМАНИЕ! Прочетете указанията за безопасност и съветите в приложената брошура. Неспазването на приведените по-долу указания може да доведе до токов удар, пожар и/или тежки травми.

Съхранявайте тези указания на сигурно място.

СПЕЦИАЛНИ УКАЗАНИЯ ЗА БЕЗОПАСНОСТ

⚠ ОПАСНОСТ: Дръжте ръцете си на разстояние от зоната на рязане и от циркулярния диск. Свотрата си ръка дръжте спомагателната ръкохватка или корпуса на електродвигателя. Когато държите циркуляра с двете си ръце, няма опасност да ги нараните с режещия диск.

Не пхайте ръцете си под обработвания детайл. Предпазният кожух не може да Ви защити в зоната под обработвания детайл.

Винаги настройвайте дълбочината на рязане съобразно дебелината на стената на обработвания детайл. От обратната страна на детайла дискът трябва да се подава на разстояние, по-малко от една височина на зъба.

Никога не задържайте обработвания детайл с ръка или на коляното си. Застопорявайте го към стабилна основа. За да ограничите опасността от нараняване, заклиняване на циркулярния диск или загуба на контрол на електроинструмента, е изключително важно детайлът да бъде застопорен правилно.

Дръжте уреда за изолираните ръкохватки, когато извършвате работи, при които режещият инструмент може да засегне скрити електроинсталационни кабели

или собствения си кабел. Контактът на режещия инструмент с тоководещ проводник може да предаде напрежението върху метални части на уреда и да доведе до токов удар.

При надлъжно разрязване винаги използвайте направляваща опора или прав водещ ръб. Така точността на рязане ще се подобри, а опасността от заклиняване на циркулярния диск ще се намали.

Винаги използвайте циркулярни дискове с подходящ размер и форма на присъединителния отвор (звездобразен или кръгъл). Циркулярни дискове, които не пасват точно на стъпалото на вала, имат биене и могат да предизвикат загуба на контрол над електроинструмента.

Никога не използвайте повредени или неподходящи подложни шайби, респ. винтове при застопоряване на циркулярните дискове. Подложните шайби и винтове са конструирани специално за Вашия циркуляр и осигуряват максимална безопасност и производителност.

Причини за възникване на откат и начини на предотвратяването му:

- откатът е внезапна и неочаквана реакция на циркулярния диск в резултат на заклиняването му или обръщането му в неправилна посока, в следствие на която неконтролируемият циркуляр може да излезе от междината на рязане и да се отклони към оператора;

- когато режещият диск се заклини в затварящата се междина на рязане, в резултат на блокирането на въртенето му електроинструментът внезапно се измества назад по посока на оператора;

- ако режещият диск бъде завъртян или наклонен в среза, зъбите от задната му страна се връзват в повърхността на обработвания детайл, в резултат на което режещият диск излиза от междината и циркулярът отскача назад по посока на оператора; Откатът е резултат от неправилното използване и/или бравене с електроинструмента.

Чрез взимането на подходящи предпазни мерки, както е описано по-долу, той може да бъде предотвратен.

Дръжте електроинструмента здраво с двете си ръце и заемайте положение, при което ръцете Ви са насочени да противодействат на евентуално възникнал откат. Тялото Ви трябва да е разположено странично на равнината на въртене на диска, в никакъв случай фронтално срещу него. При възникване на откат циркулярът може да отскочи назад, но, ако са били взети подходящи предварителни мерки, операторът може да овладее положението.

Ако режещият диск се заклини или разрязването бъде прекъснато по някаква друга причина, отпуснете пусковия прекъсвач и задръжте циркуляра неподвижно в обработвания детайл, докато въртенето на диска спре напълно. Никога не се опитвайте да извадите електроинструмента от разрязваната междина, докато режещият диск се върти или съществува опасност от възникване на откат. Намерете причината за заклиняването на диска и я отстранете.

Когато включвате повторно циркуляра, докато режещият диск е в разрязваната междина, го центрирайте в нея и предварително се уверете, че зъбите не допират до детайла. Ако режещият диск се заклини, при повторното включване на електроинструмента той може да излезе от разрязваната междина или да предизвика откат.

За да ограничите опасността от възникване на откат, подпирайте големи плоскости по подходящ начин. При разрязване големите плоскости имат стремеж да се огънат под действие на собствената си сила на тежестта. Те трябва да бъдат подпирани от двете страни на среза, в близост до него и в близост до отдалечения им край.

Не използвайте затъпени или повредени циркулярни дискове. Когато дисковете са затъпени или обърнати в неправилната посока, разрязваната междина е тясна, поради което силно се увеличават триенето, както и опасността от заклиняване и откат.

Преди да започнете разрязването, се уверете, че механизмите за регулиране на дълбочината и наклона на разрязване са затегнати здраво. Ако по време на рязане под действие на възникващите сили настройките се променят, това може да доведе до заклиняване и откат на електроинструмента.

Когато връзвате диска в стена или други повърхности, под които могат да се крият опасности, бъдете изключително предпазливи. Режещият диск може да влезе в съприкосновение със скрити под повърхността предмети, да блокира и да предизвика откат.

Функция на долния предпазен капак

Винаги преди употреба проверявайте дали предпазният кожух се затваря правилно. Не използвайте циркуляра, ако предпазният кожух не се движи свободно и не покрива веднага режещия диск. Никога не задръжжайте и не завързвайте предпазния кожух в отворено положение. Ако циркулярът бъде изтърван по невнимание, предпазният кожух може да се изкриви. Уверете се, че предпазният кожух се движи свободно и при никой от

възможните наклони и дълбочини на рязане не допира до циркулярния диск или други подвижни детайли.

Проверявайте състоянието и функционирането на пружината на предпазния кожух. Ако предпазният кожух и/или пружината му не работят правилно, преди да бъде използван, електроинструментът трябва да бъде ремонтиран. В резултат на повреждане на детайли, отлагане на лепливи вещества или натрупване на стърготини предпазният кожух може да започне да се движи забавено.

При разрязване с пробиване под наклон осигурявайте направляващата плоча на циркулярната машина срещу странично изместване. Страничното изместване на диска предизвиква заклиняване, в резултат на което е възможно да възникне откат.

Не оставайте циркуляра на работния плот или на земята, ако предпазният кожух не е покрив режещия диск. Незащитен циркулярен диск, който се върти, придвижва циркуляра в обратна посока и разрязва намиращите се на пътя му предмети. Затова се съобразявайте с необходимото за спирането на въртенето по инерция време.

Функция на ножа за разклиняване

Използвайте подходящ за режещия диск разтварящ клин. Разтварящият клин трябва да е по-дебел от тялото на диска, но по-тънък от широчината на режещите му зъби.

Настройвайте разтварящия клин по начина, описан в ръководството за експлоатация. Неправилни разстояние, позиция или подравняване могат да направят разтварящият клин неефективен в основната му функция – да предотвратява възникването на откат.

Използвайте винаги нож за заклиняване, освен в случая на „врязване“. При врязване ножът за заклиняване се натиска нагоре и след врязването при движението на циркулярния трион напред пружинира самостоятелно обратно в прореза.

За да може разтварящият клин да действа, той трябва да се намира в разрязваната междина. Разтварящият клин е неефективен в предотвратяването на откат при къси срезове.

Не използвайте циркуляра с огънат разтварящ клин.

Дори и малки отклонения могат да забавят силно затварянето на предпазния кожух.

Носете средство за защита на слуха. Въздействието на шума може да предизвика загуба на слуха.

Да се използват предпазни средства. При работа с машината винаги носете предпазни очила. Препоръчват се защитно облекло и прахозащитна маска, защитни ръкавици, здрави и нехлъзгащи се обувки, каска и предпазни средства за слуха.

При работа се образува прах, който често е вреден за здравето (напр. при обработка на дъбово и буково дърво, камък, покрития от боя, които могат да съдържат олово или други вредни вещества) и не бива да попада в тялото. Да се използват прахоуловител и допълнително да се носи прахозащитна маска. Отложеният се прах да се почиства основно, напр. със засмукване.

Преди каквито и да е работи по машината извадете щепсела от контакта.

Свързвайте машината към контакта само в изключено положение.

Свързващият кабел винаги да се държи извън работния обхват на машината. Кабелът да се отвежда от машината винаги назад.



БЪЛ

Преди всяко използване проверете за повреда и стареене уреда, свързващия кабел, удължителния кабел и щепсела. Повредените части да се ремонтират само от специалист.

Режещи дискове, които не отговарят на параметрите в настоящето упътване за експлоатация, не бива да се използват.

Моля не използвайте шлифовъчни дискове!

При обработка на алуминий от съображения за безопасност трябва да бъдат спазвани следните указания:

- Свържете предварително предпазител за дефектнотокова защита (FI, RCD, PRCD).
- Свържете машината към подходящ уред за изсмукване.
- Редовно почиствайте машината от наслагвания на прах по корпуса на двигателя и в предпазния капак.
- Алуминият може да се реже само със специално предвидените за целта режещи ленти.
- При рязане на плоскости трябва да бъде извършено смазване с петрол, тънкостенните профили (до 3 мм) могат да бъдат обработвани и без смазване.



БЪЛ

ИЗПОЛЗВАНЕ ПО ПРЕДНАЗНАЧЕНИЕ

Ръчният циркулярен трион може да се използва за рязане на масивен дървен материал, фурнир, подобни на дървен материал материали, алуминиеви профили, цветни метали и пластмаса.

Този уред може да се използва по предназначение само както е посочено.

СЕ - ДЕКЛАРАЦИЯ ЗА СЪОТВЕТСТВИЕ

Декларираме на собствена отговорност, че този продукт съответства на следните стандарти или нормативни документи: EN 60745, EN 55014-1, EN 55014-2, EN 61000-3-2, EN 61000-2-3, съобразно предписанията на директивите 2006/42/ЕО, 2004/108/ЕО



Winnenden, 2010-10-25

Rainer Kumpf
Manager Product Development
Упълномощен за съставяне на техническата документация

ЗАЩИТА НА ДВИГАТЕЛЯ В ЗАВИСИМОСТ ОТ НАТОВАРВАНЕТО



Да се свързва само към еднофазен променлив ток и само към мрежово напрежение, посочено върху заводската табелка. Възможно е и свързване към контакт, който не е от тип „шукко“, понеже конструкцията е от защитен клас II.

ПОДДРЪЖКА

Вентилационните шлицы на машината да се поддържат винаги чисти.

Почиствайте само със суха кърпа. Някои почистващи препарати повреждат пластмаса или други изолирани части. Поддържайте уреда чист и сух, по него да няма масло и грес.

Да се използват само аксесоари на AEG и резервни части на.

Елементи, чията подмяна не е описана, да се дадат за подмяна в сервис на AEG (вижте брошура „Гаранция и адреси на сервиси“).

При необходимост можете да поискате за уреда от Вашия сервис или директно от AEG Elektrowerkzeuge, Max-Eyth-Straße 10, D-71364 Winnenden, Germany, чертеж за в случай на експлозия, като посочите типа на машината и десетцифрения номер върху заводската табелка.

СИМВОЛИ



Преди пускане на уреда в действие моля прочетете внимателно инструкцията за използване.



ВНИМАНИЕ! ПРЕДУПРЕЖДЕНИЕ! ОПАСНОСТ



Прахът, който се образува при работа, често е вреден за здравето и не бива да попада в тялото. Да се носи подходяща прахозащитна маска.



При работа с машината винаги носете предпазни очила.



Преди всякакви работи по машината извадете щепсела от контакта.



Аксесоари - Не се съдържат в обема на доставката, препоръчвано допълнение от програмата за аксесоари.



Цели дървени трупи (твърди, меки), талашитени плоскости и плоскости от твърди нееластомерни влакна, многослонови плоскости, плоскости за мебели, фурнири и покрити със слой плоскости



Пластмаси, подсилени пластмаси (GfK), хартия и тъкани, плексиглас



Свързани с гипс или цимент плоскости от влакна



Алуминиеви плоскости и профили до 15 мм



Не изхвърляйте електроинструменти при битовите отпадъци! Съобразно Европейска директива 2002/96/ЕО за стари електрически и електронни уреди и нейното реализиране в националното законодателство изхабените електроинструменти трябва да се събират отделно и да се предават в пункт за екологосъобразно рециклиране.

TS 55 E

Putere nominală de ieșire.....	1500 W
Viteza la mers în gol	5500 min ⁻¹
Diametru lamă x diametru orificiu	160 x 20 mm
Adâncime de tăiere la 45°.....	39 mm
Adâncime de tăiere la 90°.....	55 mm
Greutate fără cablu.....	5,4 kg

Informație privind zgomotul/vibrațiile

Valori măsurate determinate conform EN 60 745.

Nivelul de zgomot evaluat cu A al aparatului este tipic de:

Nivelul presiunii sonore (K = 3 dB(A))..... 93 dB (A)

Nivelul sunetului (K = 3 dB(A)) 104 dB (A)

Purtați căști de protecție

Valorile totale de oscilație (suma vectorială pe trei direcții) determinate conform normei EN 60745.

Valoarea emisiei de oscilații a_h 4,7 m/s²

Nesiguranță K = 1,5 m/s²

AVERTISMENT

Gradul de oscilație indicat în prezentele instrucțiuni a fost măsurat în conformitate cu o procedură de măsurare normată prin norma EN 60745 și poate fi folosit pentru a compara unelte electrice între ele. El se pretează și pentru o evaluare provizorie a solicitării la oscilații.

Gradul de oscilație indicat reprezintă aplicațiile principale ale uneltelor electrice. În cazul în care însă uneltelor electrice au fost folosite pentru alte aplicații, ori au fost folosite unelte de muncă diferite ori acestea nu au fost supuse unei suficiente inspecții de întreținere, gradul de oscilație poate fi diferit. Acest fapt poate duce la o creștere netă a solicitărilor la oscilații dealungul întregii perioade de lucru.

În scopul unei evaluări exacte a solicitării la oscilații, urmează să fie luate în considerație și perioadele de timp în care aparatul a fost oprit ori funcționează dar, în realitate, el nu este folosit în mod practic. Acest fapt poate duce la o reducere netă a solicitărilor la oscilații dealungul întregii perioade de lucru.

Stabiliți măsuri de siguranță suplimentare în scopul protecției utilizatorului de efectele oscilațiilor, de exemplu: inspecție de întreținere a uneltelor electrice și a celor de muncă, păstrarea caldă a mâinilor, organizarea proceselor de muncă.

 **AVERTISMENT! Citiți toate avizele de siguranță și indicațiile, chiar și cele din borșura alăturată.** Nerespectarea indicațiilor de avertizare și a instrucțiunilor poate provoca electrocutare, incendii și/sau răniri grave.

Păstrați toate indicațiile de avertizare și instrucțiunile în vederea utilizărilor viitoare.

INSTRUCȚIUNI DE SECURITATE

 **PERICOL:**

Țineți mâinile departe de zona de tăiere și de pânda de ferăstrău. Cea de-a doua mână țineți-o pe mânerul suplimentar sau pe carcasa motorului. Dacă țineți ferăstrăul circular cu ambele mâini, pânda de ferăstrău nu le poate răni.

Nu introduceți mâna sub piesa de lucru. Apărătorea nu vă poate proteja sub piesa de lucru.

Adaptați adâncimea de tăiere la grosimea piesei de lucru. Sub piesa de lucru ar trebui să se vadă mai puțin de înălțimea întreagă a unui dinte.

Nu țineți niciodată în mână sau pe picior piesa de lucru.

Asigurați piesa de lucru pe o platformă stabilă. Este important ca piesa de lucru să fie bine fixată pentru a reduce la minimum pericolul de contact corporal, blocare a pânzei de ferăstrău sau de pierdere a controlului.

Țineți aparatul de mânerul izolate când executați lucrări la care scula tăietoare poate nimeri peste conductori electrici ascunși sau peste cablul propriu. Intrarea în contact a sculei tăietoare cu o linie electrică prin care circulă curent poate pune sub tensiune și componente metalice ale aparatului și să ducă la electrocutare.

La tăierea longitudinală folosiți întotdeauna un opritor sau un limitator paralel pentru margini. Acesta sporește precizia de tăiere și diminuează posibilitatea blocării pânzei de ferăstrău.

Folosiți întotdeauna pânze de ferăstrău de mărime corespunzătoare și cu orificiu de prindere adecvat (de ex în formă de stea sau rotund). Pânzele de ferăstrău care nu se potrivesc elementelor de montaj ale ferăstrăului, se vor roti excentric și vor duce la pierderea controlului.

Nu folosiți niciodată șaibe suport sau șuruburi deteriorate sau greșite pentru pânzele de ferăstrău. Șaibele suport și șuruburile pentru pânzele de ferăstrău au fost special construite pentru ferăstrăul dv., în vederea atingerii unor performanțe și a unei siguranțe optime în exploatare.



Cauzele și evitarea unui recul:

- reculul este o reacție bruscă provocată de o pânză de ferăstrău înțepenită, blocată sau aliniată greșit, care face ca un ferăstrău necontrolat să se ridice și să iasă afară din piesa de lucru deplasându-se în direcția operatorului;

- dacă pânza de ferăstrău se agață sau se înțepenește în făgașul de tăiere, ea se blochează iar puterea motorului aruncă mașina înapoi, în direcția operatorului;

- dacă pânza de ferăstrău se răsuște sau se aliniază greșit în tăietură, dinții muchiei posterioare a pânzei de ferăstrău se apot agața în suprafața piesei de lucru, ceea ce face ca pânza de ferăstrău să iasă afară din făgașul de tăiere iar ferăstrăul să sară înapoi, în direcția operatorului.

Reculul este consecința utilizării greșite sau defectuoase a ferăstrăului. El poate fi împiedicat prin măsuri de prevenire adecvate, conform celor descrise în cele ce urmează.

Apucați întotdeauna strâns ferăstrăul cu ambele mâini și aduceți-vă brațele într-o poziție, în care să reziste forțelor de recul. Stați întotdeauna lateral față de pânza de ferăstrău, nu aduceți niciodată pânza de ferăstrău pe aceeași linie cu corpul dv. În caz de recul ferăstrăul circular poate sări înapoi, însă operatorul are posibilitatea de a stăpâni forțele de recul dacă au fost adoptate măsuri adecvate.

Dacă pânza de ferăstrău se înțepenește sau dacă tăierea este întreruptă dintr-un anumit motiv, eliberați întrerupătorul pornit-oprit și lăsați ferăstrăul nemișcat în materialul de prelucrat, până când pânza de ferăstrău se oprește complet. Nu încercați niciodată să îndepărtați ferăstrăul din material sau să-l trageți înapoi, atât timp cât pânza de ferăstrău se mai mișcă sau cât mai există încă riscul producerii de recul. Găsiți cauza înțepenirii pânzei de ferăstrău și înlăturați-o prin măsuri adecvate.

Atunci când dorți să reporniți ferăstrăul rămas în piesa de lucru, centrați pânza de ferăstrău în făgașul de tăiere și verificați dacă dinții acesteia nu sunt agațați în piesa de lucru. Dacă pânza de ferăstrău este înțepenită, ea poate ieși afară din piesa de lucru sau provoca un recul la repornirea ferăstrăului.

Sprrijiniți plăcile mari pentru a diminua riscul unui recul provocat de o pânză de ferăstrău înțepenită. Plăcile mari se pot îndoi sub propria lor greutate. Plăcile trebuie sprrijinite pe ambele laturi, atât în apropierea făgașului de tăiere cât și la margine.

Nu folosiți pânze de ferăstrău tocite sau deteriorate. Pânzele de ferăstrău cu dinții tociți sau aliniați greșit produc, din cauza făgașului de tăiere prea îngust, o frecare crescută, înțepenirea pânzei de ferăstrău și recul.

Înainte de tăiere fixați prin strângere dispozitivele de reglare a adâncimii și unghiului de tăiere. Dacă în timpul tăierii reglajele se modifică, pânza de ferăstrău se poate înțepeni și provoca apariția reculului.

Fiți foarte precauți atunci când executați o tăiere cu penetrare directă în material într—un sector ascuns, de ex. într-un perete. Pânza de ferăstrău care pătrunde în perete se poate bloca în obiecte ascunse și provoca recul.

Funcția capacului de protecție

Înainte de fiecare utilizare verificați dacă apărătoarea se închide impecabil. Nu întrebuițați ferăstrăul dacă apărătoarea nu se mișcă liber și nu se închide instantaneu. Nu fixați și nu legați apărătoarea inferioară în poziție deschisă. Dacă ferăstrăul cade accidental pe jos, apărătoarea inferioară se poate îndoi. Asigurați-vă că apărătoarea se poate mișca și că în toate unghiurile și adâncimile de tăiere nu atinge nici pânza de ferăstrău și nici celelalte componente.

Verificați starea și funcționarea arcului apărătoarei. Înainte de întrebuițarea întrețineți mașina în caz că apărătoarea inferioară și arcul nu lucrează impecabil. Componentele deteriorate, depunerile vâscoase sau aglomerările de așchii duc la acțiunea întârziată a apărătoarei inferioare.

La "tăierea cu penetrare directă în material" care nu se execută în unghi drept, asigurați placa de ghidare a ferăstrăului pentru a nu se deplasa lateral.

Nu puneți ferăstrăul pe bancul de lucru sau pe podea, fără ca apărătoarea inferioară să acopere pânza de ferăstrău. O pânză de ferăstrău neprotejată, care se mai învârtă din inerție, mișcă ferăstrăul în sens contrar direcției de tăiere și taie tot ce îi stă în cale. Respectați timpul de oprire al ferăstrăului.

Funcția penei de despicat

Folosiți o pană de despicat adecvată pânzei de ferăstrău întrebuințate. Pana de despicat trebuie să fie mai groasă decât corpul pânzei de ferăstrău fără dinți, dar mai subțire decât lățimea dintelui de ferăstrău.

Ajustați pana de despicat conform celor descrise în instrucțiunile de folosire. O grosime, poziție și aliniere greșită pot fi motivul pentru care pana de despicat nu împiedică eficient un recul.

Utilizați întotdeauna pana de despicat, chiar și la „tăieri îngropate”. Pana de despicat este apăsată în sus la penetrare și se arcuiește de la sine în fanta tăiată la avansul ferăstrăului circular.

Pentru ca pana de despicat să aibă efect, ea trebuie să se afle în făgașul de tăiere. La tăierile scurte pana de despicat este ineficientă în împiedicarea reculului.

Nu folosiți ferăstrăul cu pana de despicat indoită. Un deranjament cât de mic poate încetini închiderea apărătoarei.

Purtați aparatoare de urechi. Expunerea la zgomot poate produce pierderea auzului.

Folosiți echipament de protecție. Purtați întotdeauna ochelari de protecție când lucrați cu mașina. Se recomandă utilizarea hainelor de protecție ca de ex. Măști contra prafului, mănuși de protecție, încălțăminte stabilă nealunecoasă, cască și apărătoare de urechi.

Praful care apare când se lucrează cu această sculă poate fi dăunător sănătății (de ex. când se prelucrează stejar sau lemn de fag , piatră, vopsea, care pot conține plumb sau alte chimicale dăunătoare) și prin urmare nu trebuie să atingă corpul. Utilizați un sistem de absorbție a prafului și purtați o mască de protecție împotriva prafului. Îndepărtați cu grijă praful depozitat , de ex. cu un aspirator.

Întotdeauna scoateți steclarul din priză înainte de a efectua intervenții la mașină.

Conectați la rețea numai când mașina este oprită.



Pastrati cablul de alimentare la o distanță de aria de lucru a mașinii. Întotdeauna țineți cablul în spatele dvs.

Înainte de utilizare verificați mașina, cablul și stecarul pentru orice defecțiuni sau uzură a materialului. Reparațiile trebuie efectuate numai de către agenții de service autorizați.

Nu utilizați lamele care nu corespund datelor oferite în prezentele Instrucțiuni de utilizare.

Montarea unor discuri abrazive este interzisă!

Din motive de siguranță, în cazul prelucrării aluminiului trebuie respectate următoarele măsuri:

- Interconectați un întrerupător de protecție contra curenților de defect (FI, RCD, PRCD).
- Racordați mașina la un aspirator adecvat.
- Curățați mașina în mod regulat de depunerile de praf din carcasa motorului și din capota de protecție
- Tăierea aluminiului este permisă numai cu pânzele de ferăstrău special prevăzute pentru aceasta.
- La tăierea plăcilor, trebuie gresat cu petrol, profile cu pereți subțiri (până la 3 mm) pot fi prelucrate fără ungere.

CONDIȚII DE UTILIZARE SPECIFICATE

Ferăstraul circular poate fi folosit pentru a rețea lemn masiv, lemn înclieat, materiale de lucru asemănătoare lemnului, profile din aluminiu, metal neferos și materiale plastice.

Nu utilizați acest produs în alt mod decât cel stabilit pentru utilizare normală

DECLARAȚIE DE CONFORMITATE

Declarăm pe propria răspundere că acest produs este în conformitate cu următoarele standarde sau documente standardizate EN 60745, EN 55014-1, EN 55014-2, EN 61000-3-2, EN 61000-2-3, în conformitate cu regulamentele 2006/42/EC, 2004/108/EEC



Winnenden, 2010-10-25

Rainer Kumpf
Manager Product Development

Împuternicit să elaboreze documentația tehnică.

ALIMENTARE DE LA REȚEA

Conectați numai la prizele de curent alternativ monofazat și numai la tensiunea specificată pe placuța indicatoare. Se permite conectarea și la prize fără împământare dacă modelul se conformează clasei II de securitate.

INTREȚINERE

Fantele de aerisire ale mașinii trebuie să fie menținute libere tot timpul

A se curăța numai cu o cârpă uscată. Unii agenți de curățare atacă masa plastică sau alte elemente izolate. Mențineți aparatul curat și uscat, fără urme de ulei sau unsoiri.

Utilizați numai accesorii și piese de schimb AEG. Dacă unele din componente care nu au fost descrise trebuie înlocuite, vă rugăm contactați unul din agenții de service AEG (vezi lista noastră pentru service / garanție)

Dacă este necesară, se poate comanda o imagine descompusă a sculei. Vă rugăm menționați numărul art. Precum și tipul mașinii tipărit pe etichetă și comandați desenul la agenții de service locali sau direct la AEG Elektrowerkzeuge, Max-Eyth-Straße 10, D-71364 Winnenden, Germany.

SIMBOLURI



Va rugăm citiți cu atenție instrucțiunile înainte de pornirea mașinii



PERICOL! AVERTIZARE! ATENȚIE!



Praful care apare când se lucrează cu această sculă poate fi dăunător sănătății și prin urmare nu trebuie să atingă corpul. Purtați o mască de protecție corespunzătoare împotriva prafului.



Purtați întotdeauna ochelari de protecție când utilizați mașina.



Întotdeauna scoateți stecherul din priză înainte de a efectua intervenții la mașină.



Accesorii - Nu este inclus în echipamentul standard, disponibil ca accesoriu



Lemn masiv (esență tare sau moale), plăci de placaj sau din fibră dură, lemn laminat, paneele, plăci furniruite sau melaminat



Materiale plastice, materiale plastice armate cu fibră de sticlă, hârtie și țesături, sticlă acrilică



Plăci din fibre legate cu gips sau ciment



Plăci și profile de aluminiu până la 15 mm



Nu aruncați scule electrice în gunoii menajer! Conform directivei europene nr. 2002/96/EC referitor la aparate electrice și electronice uzate precum și la transpunerea acestora în drept național, sculele electrice trebuie colectate separat și introduse într-un circuit de reciclare ecologic.



TS 55 E

Определен внес	1500 W
Брзина без оптоварување	5500 min ⁻¹
Сечило на пила дијаметар x дијаметар на отвор .160 x 20 mm	
Длабочина на сечење при 45o	39 mm
Длабочина на сечење при 90o	55 mm
Тежина без кабел	5,4 kg

ПРЕДУПРЕДУВАЊЕ

Нивото на осцилација наведено во овие инструкции е измерено во согласност со мерните постапки нормирани во EN 60745 и може да биде употребено за меѓусебна споредба на електро-алати. Ова ниво може да се употреби и за привремена проценка на оптоварувањето на осцилацијата.

Наведеното ниво на осцилација ги репрезентира главните намени на електро-алатот. Но, доколку електро-алатот се употребува за други намени, со отстапувачки додатоци или со несоодветно одржување, нивото на осцилација може да отстапи. Тоа може значително да го зголеми оптоварувањето на осцилацијата за време на целиот работен период.

За прецизна проценка на оптоварувањето на осцилацијата предвид треба да бидат земени и времињата, во коишто апаратот е исклучен или работи, но фактички не се употребува. Тоа може значително да го намали оптоварувањето на осцилацијата за време на целиот работен период.

Утврдете дополнителни безбедносни мерки за заштита на операторот од влијанието на осцилациите, како на пример: одржување на електро-алатот и на додатоци кон електро-алатот, одржување топли раце, организација на работните процеси.

⚠ ПРЕДУПРЕДУВАЊЕ! Прочитајте ги сите безбедносни упатства и инструкции. Заборавање на почитувањето на безбедносните упатства и инструкции можат да предизвикаат електричен удар, пожар и/или тешки повреди.

Сочувајте ги сите безбедносни упатства и инструкции за во иднина.

УПАТСТВО ЗА УПОТРЕБА

⚠ Опасност:

Држете ги рацете настрана од зоната на сечење. Држете ја другата рака на помошната рачка или куќиштето на моторот. Доколку пилата ја држите со двете раце, не можете да се пресечете од сечилото.

Не пресегајте под обработуваното парче. Заштитата не може да Ве заштити од сечилото под обработуваното парче.

Прилагодете ја длабочината на засекот во зависност од густината на обработуваното парче. Нешто помалку од цел забец од сечилото треба да биде видлив под работното парче.

Никогаш не го држете парчето кое се обработува со раце или преку нога. Обезбедете го на стабилна површина. Важно е соодветно да ја потпирате работата како би ја минимизирале телесната изложеност, виткањето на сечилото или губењето контрола.

Држете го електричниот алат за издадените површини при изведување на операции при кои алатот за сечење можат да дојдат во контакт со скриени жици или сопствениот гјатан. Контакт со жица под напон исто така ќе

Информација за бучавата/вибрациите

Измерените вредности се одредени согласно стандардот EN 60745.

A-оценетото ниво на бучава на апаратот типично изнесува:

Ниво на звучен притисок. (K = 3 dB(A)) 93 dB (A)

Ниво на јачина на звук. (K = 3 dB(A)) 104 dB (A)

Носте штитник за уши.

Вкупни вибрациски вредности (векторски збир на трите насоки) пресметани согласно EN 60745.

Вибрациска емисиона вредност a_v 4,7 m/s²

Несигурност K = 1,5 m/s²

направи проводници од металните делови и оној кој ракува со алатот ќе доживее струен удар.

При ракување со рачна пила користете бариера или водилка под прав агол. Ова ја подобрува прецизноста на резот и го намалува ризикот од свиткување на сечилото.

Секогаш користете сечила со соодветна големина и форма (дијамантски наспроти кружни) или крунски пили. Сечила кои не одговараат на монтираниот хардвер на пилата ќе се движат неправилно предизвикувајќи губење на контролата.

Никогаш не користете оштетени или несоодветни средства за чистење или ... Тие средства и... Се специјално наменети за вашата пила, за оптимални перформанси и сигурност при користењето.

Причини и начин на спречување на повратен ефект.

повратниот ефект е ненадејна реакција при откршување, свиткување или изместување на сечилото, и предизвикува неконтролираното сечило од пилата да се крене и да излезе од обработуваното парче кон оној кој работи.

кога сечилото е откриено или цврсто завиткано од ...затворањето, запците на сечилото и реакцијата на моторот ја турка брзо назад кон оној кој работи со неа.

доколку сечилото се извитка или се измести во сечењето, забецот на надворешниот раб на сечилото може да се зарие во горната површина на дрвото правејќи сечилото да излезе од лежиште и да скокне кон оној кој работи.

Повратниот ефект е резултат на неправилна употреба на пилата и/или некоректни работни процедури или услови и може да биде избегнат со превземање на соодветни претпазливи постапки наведени подолу.

Држете цврсто со двете раце кои се поставени да пружат отпор при повратен удар. Поставете го вашето тело од било која страна на сечилото, но не во негова линија.

Повратниот удар може да предизвика пилата да потскокне на назад, но јачината на повратниот удар може да биде контролирана од операторот доколку се преземени соодветни мерки на претпазливост.

Кога сечилото се свиткало, или прекин на сечењето од било која причина, ослободете го прекинувачот и држете го ножот во материјалот без да делувате, се додека не дојде до потполно запирање на сечилото. Никогаши не се обидувајте да ја тргнете пилата или да ја повлечете на назад додека сечилото се движи или може да се појави повратен удар. Испитајте ги и преземете корективни чекори за да ја елиминирате причината за свиткување на сечилото.

По рестартирање на пилата во обарботуваното парче, центраирајте го сечилото на пилата во крвината и проверете запците на пилата да не се навлезени во материјалот. Доколку сечилото на пилата е свиткано, може да тргне нагоре или да излезе од обработуваното парче, кога таа ќе се стартува.

Потпирајте ги големите панели како би го минимизирале ризикот од свиткување на сечилото и повратен удар.

Големите панели имаат тенденција да се свиткаат под сопствената тежина. Мора да биде поставена потпора под панелот од двете страни, блиску до линијата на сечење и блиску до работ на панелот.

Не користете отапени или оштетени сечила. Ненаострните или не соодветно поставените сечила создаваат остра кривина која предизвикува интензивно триење, виткање на сечилото и повратен удар.

Длабочината на сечилото и прилагодливиот заклучувач на рачката мора да биде стегнат и обезбеден пред да се сече. Доколку се промени подесувањето за време на сечењето може да дојде со свиткување и повратен удар.

Бидете екстремно претпазливи при рез со забодување во постоечки ѕидови или други армирани површини.

Функција на долниот заштитен поклопец

Проверете го соодветното затворање на заштитата пред секоја употреба. Не ја вклучувајте ја пилата ако заштитата не се движи слободно и не го затвора сечилото моментно. Никогаши не ја затегнувајте ниту врвзувајте ја заштитата со отворено сечило. Доколку пилата падне ненамерно, заштитата може да се свитка. Проверете дали заштитата се движи слободно и не го допира сечилото или било кој друг дел под било кој агол и длабочина на засек.

Проверете ја работата и состојбата на повратната спона на заштитата. Доколку заштитата и споната не функционираат соодветно, пред употреба мора да бидат сервисирани. Заштитата може да функционира тромо поради

оштетените делови, лепливи остатоци или насобрани делчиња.

Осигурете се дека плочката за правец на пилата нема да се подигне додека правце „резови со забодување“, кога поставеноста на косото сечило не е под агол од 90°.

Страничното подигање на сечилото предизвикува свиткување и најверојатно повратен отпор.

Секогаш гледајте заштитата да го покрива сечилото пред пилата да ја спуштите на маса или под. Незаштитено лизгање на сечилото ќе предизвика пилата да тргне на назад, сечејќи се што ќе се најде на патот. Бидете свесни за потребното време за кое сечило.

Употребете соодветен нож за острење на употребуваното сечило. За да работи ножот за острење, мора да биде погуст од телото на сечилото но потенок од поставените запци на сечилото.

Наштелувајте го ножот за острење како што е наведено во овој прирачник. Несоодветно растојание, поставување и редене може да го направи ножот за острење неефикасен при спречување на повратен удар.

За ... Нож да работи, мора да биде внесен во парчето кое се обработува. ...нож е неефикасен во спречувањето на повратен удар за при кратки резови.

Не работете со пилата доколку...нож е свиткан. Дури и најмали пречки можат да го успорат интервалот на затворање на заштитата.

Носете штитник за уши. Изложеноста на бука може да предизвика губење на слухот.

Употребувајте заштитна опрема. При работа со машината постојано носете заштитни очила. Се препорачува заштитна облека како: маска за заштита од прашина, заштитни ракавици, цврсти чевли што не се лизгаат, кацига и заштита за уши.

Пршината која се создава при користење на овој алат може да биде штетна по здравјето (пр: при обработка на дабово дрво, камен, боени површини кои содржат олово или штетни хемикалии). Не го вдишувајте. Користете систем за абсорбирање на прашина и носете соодветна заштитна маска. Одстранете ја целосно наталожената прашина, пр: со правосмукалка.

Секогаш кога преземате активности врз машината исклучете го кабелот од струјата.

Вклучувањето на кабелот во струја се прави исклучиво машината е исклучена.

Чувајте го кабелот за напојување подалеку од работната површина. Секогаш водете го кабелот позади вас.

Пред употреба проверете ја машината, кабелот и приклучокот од било какви оштетувања или замор на материјалот. Поправките треба да бидат спроведувани исклучиво од овластени сервисери.

Не користете сечила кои не одговараат на пропишаните параметри дадени во овој прирачник за употреба.

Ве молиме не користете абразивни дискови-шмиргли на оваа машина!

При обработка на алуминиум да се почитуваат следните мерки од безбедносни причини:



Mak

- Приклучете претходно еден заштитен прекинувач за погрешна струја (FI, RCD, PRCD) vor.
- Приклучете ја машината на соодветен апарат за всмукување.
- Чистете ја машината редовно од таложења на прашина во кукиштето од моторот и во заштитната хауба.
- Алуминиум смее да се сече само со специјални дискови за сечење предвидени за таа намена.
- При сечење плочи мора да се подмачкува со петролеум, додека профили со тенки сидови (до 3 mm) можат да се обработуваат без подмачкување.

СПЕЦИФИЦИРАНИ УСЛОВИ НА УПОТРЕБА

Циркуларното сечило може да биде употребено за пилење цврсто дрво, залепени дрва како и за материјали слични на дрво, алуминиумски профили, не рѓачки метал и пластика.

Не го користете овој производ на било кој друг начин освен пропишаниот за нормална употреба.

ЕУ-ДЕКЛАРАЦИЈА ЗА СООБРАЗНОСТ

Ние во целосна одговорност изјавуваме дека овој производ е во сообразност со следните стандарди и стандардизирани документи. EN 50144, EN 55014-1, EN 55014-2, и е во согласност со прописите 2006/42/EC, 2004/108/EEC




Winnenden, 2010-10-25

Rainer Kumpf
Manager Product Development

Ополномоштен за составување на техничката документација.

ГЛАВНИ ВРСКИ

 Да се спои само за една фаза АС коло и само на главниот напон наведен на плочката. Можно е исто така и поврзување на приклучок без заземјување доколку изведбата соодветствува на безбедност од 2 класа.

ОДРЖУВАЊЕ

Вентилациските отвори на машината мора да бидат комплетно отворени постојано.

Чистете го само со сува крпа. Некои средства за шистење и раствори се штетни за пластичните и дргите изолирани делови. Одржувајте ја неговата рачкачиста, сува и незамастена. Користете само АЕГ додатоци и резервни делови. Доколку некои од компонентите кои не се опишани треба да бидат заменети, Ве молиме контактирајте ги сервисните агенти на АЕГ (консултирајте ја листата на адреси).

Доколку е потребно можно е да биде набавен детален приказ на алатот. Ве молиме наведете го бројот на артиклот како и типот на машина кој е отпечатан на етикетата и порачајте ја скицата кај локалниот застапник или директно кај: AEG Elektrowerkzeuge, Max-Eyth-Straße 10, D-71364 Winnenden, Germany.

СИМБОЛИ



Ве молиме пред да ја стартувате машината обрнете внимание на упатствата за употреба.



ВНИМАНИЕ! ПРЕДУПРЕДУВАЊЕ! ОПАСНОСТ!



Прштина која се создава при користење на овој алат може да биде штетна по здравјето. Не ја вдишувајте. Носете соодветна заштитна маска.



Секогаш при користење на машината носете ракавици.



Секогаш пред спроведување на каков и да е зафат врз машината исклучете го кабелот од приклучокот.



Дополнителна опрема - Не е вклучена во стандардната, а достапна е како додаток.



Полно дрво (тврдо, меко), шперплочи и плочи со тврдо влакно, тишлер-плочи, фурнирани и обложени плочи



Пластики, пластики појачани со влакно (GfK), хартија и ткаенини, акрилно стакло



Гипсани и цементно поврзани влакнени плочи



Алуминиумски плочи и профили до 15 mm



Не ги фрлајте електричните апарати заедно со другиот домашен отпад! Европска регулатива 2002/96/EC за одлагање на електрична и електронска опрема и се применува согласно националните закони. Електричните апарати кои го достигнале крајот на својот животен век мора да бидат одвоено собрани и вратени во соодветна рециклажна установа.

TS 55 E

输入功率.....	1500 W
无负载转速.....	5500 min ⁻¹
锯刀直径 x 锯刀孔直径.....	160 x 20 mm
切深在 45 度.....	39 mm
切深在 90 度.....	55 mm
不含电缆重量.....	5,4 kg

噪音/振动信息

本测量值符合 EN 60 745 条文的规定。

器械的标准A-值噪音级为：

音压值 (K = 3 dB(A))..... 93 dB (A)

音量值 (K = 3 dB(A))..... 104 dB (A)

请戴上护耳罩！

依欧盟EN 60745 标准确定的振荡总值 (三方向矢量和)。

ah-振荡发射值..... 4,7 m/s²

K-不可靠性..... 1,5 m/s²

注意

本规程列出的依欧盟EN 60745 标准一项标准测量方法测量的振荡级也可用于电动工具比较并适合于临时振荡负荷估计。

该振荡级代表电动工具的主要应用。电动工具的其他应用，不正确的工作工具或欠缺维护可造成振荡级偏差。此可明确提高总工作期间的振荡负荷。

正确地估计一定工作期间的振荡负荷也要考虑到工具关闭或接通而不使用的期间。此可明确减少总工作期间的振荡负荷。

为提高操作人员对振荡作用的保护得规定补充安全措施：电动工具及工作工具的维护，温手，工作过程组织等。

⚠ 注意！ 务必仔细阅读所有安全说明和安全指示 (应注意阅读附上的小册子)。如未确实遵循警告提示和指示，可能导致电击、火灾并且/或其他的严重伤害。

妥善保存所有的警告提示和指示，以便日后查阅。

特殊安全指示

⚠ 危险 双手必须摆在切割范围之外并且远离锯片。操作机器时，第二隻手要握牢辅助手柄或放在马达壳上。如果使用双手握持圆锯，便不会被锯片割伤。

不可以把手放在工件的下面。防护罩无法保护摆在工件下面的手。

根据工件的厚度设定锯深。不可以让锯齿完全突出於工件之外。

不可以把正在切割的工件拿在手上或放在腿上。工件必须固定在稳固的平台上。固定好工件之后，不仅可以防止身体意外接触刀片，並且可以降低锯片被卡住或操纵失控的情况。

切割工具会碰到隐藏电线或自己的电缆时，得将器械握住于其绝缘把手表面。

切割工具接触到通电电线可将电压加到器械的金属部分并造成电击。

纵割时必须使用档块或直角导引。如此不仅可以增加锯割的准确度，而且可以降低锯片被卡住的机会。

必须使用固定孔尺寸和大小正确的锯片，而且锯片中心的孔要和接头法兰的形状一致 (星形或圆形)。锯片的安装孔，如果不能配合锯片的安装部件，开动机器后锯片会偏心运转，甚至会发生失控的状况。

切勿使用损坏的或不合适的锯片垫圈、锯片螺钉。锯片垫圈和锯片螺钉，都是针对个别圆锯经过特别设计。使用了正确的垫圈和螺钉不仅可以提高工作效率，更能够确保操作安全。



反弹的原因和如何避免反弹

- 所谓反弹，指的是一种突然的机器反应。导致机器反弹的原因可能是，锯片被钩住了、卡住了或者锯片的安装方式错误。此时，失控的机器会从工件中滑出，並朝著操作者的方向移动；

- 如果锯片被钩住后卡在锯缝中，锯片转速顿时降低，此时马达的强大反衝力，会急速地把机器弹向操作者；

- 如果锯片在锯缝中扭曲了或者未安装正确，可能导致锯片后端的锯齿卡在工件表面上，更进而把整个锯片从锯缝中拔出，並且锯片也会猛烈地朝著操作者的方向弹跳。

使用错误或操作不当，都会导致圆锯反弹，为了避免上述情况，请确实遵循以下各安全措施。

使用双手握紧圆锯，持机的姿势必须能够抵挡住机器强大的反弹力道。操作机器时要站在机器的侧面，千万不可以让锯片和身体站在同一直线上。反弹时圆锯会向后衝撞，但操作者如正确采取正确的防范措施，便能够及时控制住弹力。

如果锯片卡住了，或锯割过程因为任何原因突然中断了，必须马上放鬆起停开关，並静待插在工件中的锯片完全停止运动。只要锯片仍继续运动，千万不可尝试著从工件中拔出锯片，或向后抽拉圆锯，否则可能发生反弹。找出导致锯片卡住的原因，並设法排除障碍。

重新开动插在工件中的圆锯时，必须先把锯片放在锯缝的中心，然后检查是否仍有锯齿陷在工件中。如果锯片被卡住了，重新开动机器时，锯片可能滑出锯缝或者导致机器反弹。

固定好大的平板，以防止锯片被卡住以及机器反弹。大的平板由于自身重量容易向下弯曲，必须在平板下端的两侧安排支撑，一个放在锯线的附近，一个放在平板的边缘。

不可使用已经变钝或受损的锯片。锯齿如果已经变钝或位置不正，容易因为锯缝过窄，而提高锯割时的磨擦、卡住锯片並引起反弹。

锯割之前必须收紧锯深调整杆和锯角调整杆。如果锯割时设定突然改变了，可能导致锯片被卡牢並且引起反弹。

在墙壁和隐蔽处进行潜锯时必须特别留心。突出的锯片可能接触会引起反弹的物品。

下面保护罩的功能

使用机器之前先检查防护罩是否能正确关闭。切勿使用防护罩无法自由移动、无法马上关闭的机器。千万不可以夹住或绑著防护罩，进而曝露出刀片。如果不小心让圆锯掉落地面，防护罩可能弯曲变形。检查防护罩是否能自由移动。在任何锯割角度和锯割深度，防护罩都不能接触锯片或其它的机件。

检查防护罩回转弹簧的运作功能和状况。如果防护罩和弹簧无法正常运作，则必须在使用之前把机器送给专业人员维修。损坏的零件、残留在防护罩上的树脂或锯屑，都会减缓防护罩的反应速度。

进行潜锯时，如果锯角不是设定为90度，必须固定好底盘，不可以让底盘滑动。如果锯片朝侧面滑开了，容易卡住，更进而导致机器反弹。

把圆锯放在工作台或地板上之前，务必检查防护罩是否已经完全遮盖住锯片。如果防护罩未关闭，而锯片仍继续转动，整个电锯会向后滑走，並割坏所有锯线范围内的物品。注意关机后锯片继续转动至完全停止所需的时间。

根据所使用的锯片选择合适的开缝楔子。选用的开缝楔子必须比刀体还厚，但是又不能大过锯刃的宽度。

根据使用说明书上的描述调整开缝楔子。留错空隙、位置不正确和校准错误，都会影响开缝楔子防止反弹的功能。

开缝楔子必须安装在锯缝中才能发挥功效。在短的锯线中安装开缝楔，不具备防止反弹的功能。

如果发现开缝楔弯曲了，切勿操作圆锯。极小的干扰都会降低防护罩的关闭速度。



请戴上耳罩。工作噪音会损坏听力。

使用防护装备。操作机器时务必佩戴护目镜。最好也使用下列的防护装备，例如防尘面具、护手套、坚固而且止滑的工作鞋、安全头盔和耳罩等。

工作中产生的粉尘往往有害健康（例如加工橡木、山毛榉，石材以及上了颜料的工件；颜料中可能含铅或其它有害物质），最好不要让此类物质接触身体。操作机器时请使用吸尘装置并佩戴防尘面罩。彻底清除堆积的灰尘，例如使用吸尘器。

在机器上进行任何修护工作之前，务必从插座上拔出插头。

确定机器已经关闭了才可以插上插头。

电源线必须远离机器的作业范围。操作机器时电线必须摆在机身后端。

使用之前，先检查机器、电源电线、延长线和插头是否有任何损坏。损坏的零件只能交给专业电工换修。

锯刀片的规格如果与本说明书提供的规格不符，请勿使用。

不可安装研磨片。

由于安全原因，加工铝材时应遵守下列措施：


- 应预接故障电流保护开关（FI，RCD，PRCD）。
- 应把适合的吸尘器连接到机器。
- 应经常清除电动机外壳与保护罩内的灰尘积。
- 只能用专用锯片锯切铝材。
- 锯切板材时应用煤油润滑，较薄的板材（厚度不超过3毫米）可以不用润滑加工。

正确地使用机器

本电动手提圆刀锯，适合割锯实木、胶粘木、仿木材料和塑料等。

请依照本说明书的指示使用此机器。

电源插头

 只能连接单相交流电，只能连接机器铭牌上规定的电压。本机器也可以连接在没有接地装置的插座上，因为本机器的结构符合第II级绝缘。

维修

机器的通气孔必须随时保持清洁。

只能使用干燥的布擦拭机器。某些清洁剂会侵蚀机器上的塑料或绝缘零件。机器必须维持清洁并保持干燥。机器上不可沾染油或润滑油。

只能使用 AEG 的配件和零件。缺少检修说明的机件如果损坏了，必须交给 AEG 的顾客服务中心更换（参考手册“保证书/顾客服务中心地址”）。

如果需要机器的分解图，可以向您的顾客服务中心或直接向 AEG Elektrowerkzeuge, Max-Eyth-Straße 10, D-71364 Winnenden, Germany. 案件时必须提供以下资料：机型和机器铭牌上的十位数号码。

符号



使用本机器之前请详细阅读使用说明书。



请注意！警告！危险！



工作尘往往有害健康，不可以让工作尘接触身体。工作时请佩戴合适的防尘面具。



操作机器时务必佩戴护目镜。



在机器上进行任何修护工作之前，务必从插座上拔出插头。



配件 - 不包含在供货范围中。请另外从配件目录选购。



实木（硬或软）、木屑板与硬纤维板、层压板、桌面板、胶合板和涂层板



塑料、玻璃纤维增强热固塑料（GfK）、纸与布、丙烯玻璃



石膏和混凝土纤维板



厚度不大于15毫米的铝板和铝型材



不可以把损坏的电动工具丢弃在家庭垃圾中！根据被欧盟各国引用的有关旧电子机器的欧洲法规2002/96/EC，必须另外收集旧电子机器，並以符合环保规定的方式回收再利用。



AEG

POWERTOOLS

www.aeg-pt.com

(10.10)
4931 4252 06



057



ME77



AEG Elektrowerkzeuge
Max-Eyth-Straße 10
D-71364 Winnenden
Germany