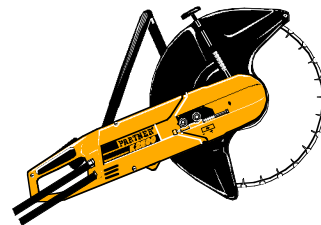


PARTNER



IPL, K 2500, K 2500 RAIL, 2003-10, 106 26 30-63

K 2500

K 2500 RAIL

Reservdelar

Spare parts

Ersatzteile

Pieces de rechange

Piezas de repuesto

Ricambi

Peças

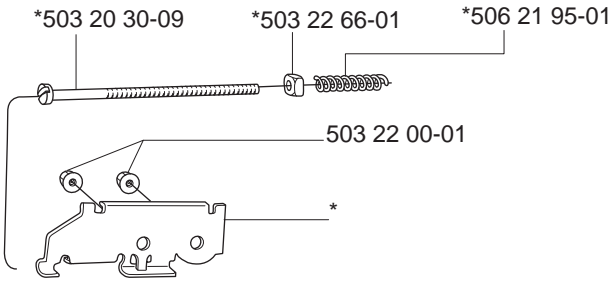
sobresselente

106 26 30-63

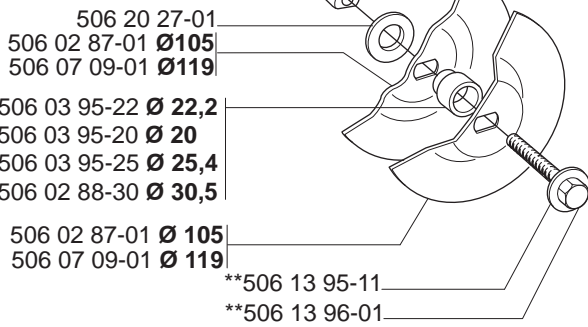
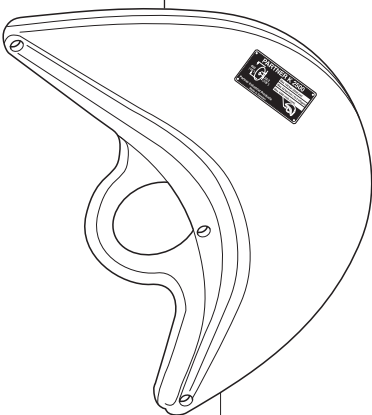
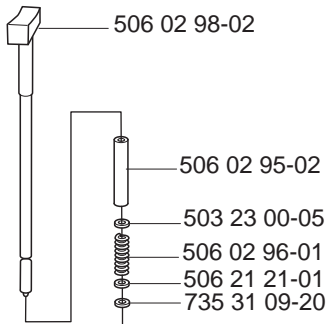
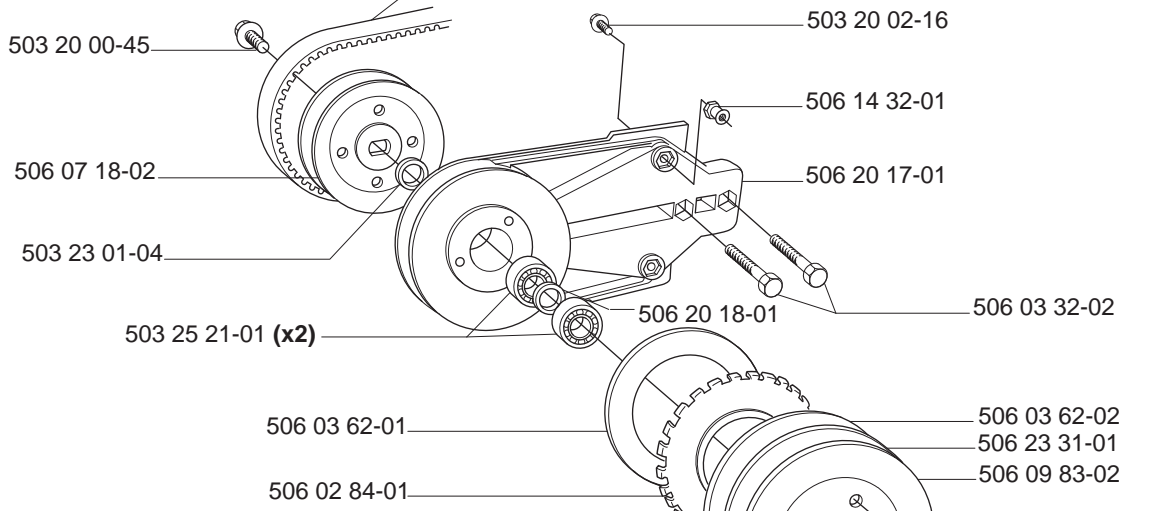
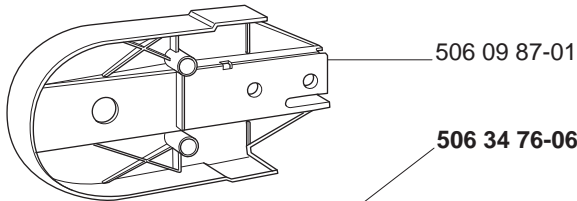
PARTNER[™]

No.	Pos.	Description	No.	Pos.	Description
501 62 89-03	B	Handle cover	506 20 33-01	B	Throttle rod
501 69 17-02	F	Comb.tool	506 20 34-02	B	Throttle trigger
502 21 58-01	F	Allen key	506 20 36-01	B	Chassis
503 20 00-45	A	Screw M8X16	506 20 38-01	C	Spring
503 20 02-16	AB	Screw M5X16	506 21 16-01	C	Pulley
503 20 02-20	C	Screw M5X20	506 21 21-01	A	Washer
503 20 02-40	B	Screw M5X40	506 21 59-01	C	Valve splindle
503 20 02-45	C	Screw M5X45	506 21 60-01	C	Sleeve
503 20 30-09	A	Screw M6X120	506 21 63-01	B	Decal
503 21 06-19	G	Screw	506 21 80-01	C	Valve
503 21 28-10	B	Screw	506 21 81-01	C	Spring
503 22 00-01	A	Nut,M6MF M8	506 21 82-01	C	Piston
503 22 65-04	B	Nut,M5	506 21 83-01	C	Spring
503 22 66-01	A	Nut,M6	506 21 85-01	C	Valve set
503 23 00-05	A	Washer 6.5X11	506 21 95-01	A	Spring
503 23 00-24	C	Washer 6,4X18X1,5	506 22 75-01	E	Sleeve
503 23 01-04	A	Washer 15X21	506 23 08-01	E	Housing cpl
503 24 07-01	C	Pin	506 23 09-02	C	Cover
503 25 21-01	AE	Ball bearing	506 23 31-01	A	Spacer
503 26 30-21	G	O-ring	506 23 35-01	C	Housing
503 26 30-28	C	O-ring	506 29 56-01	G	Nipple
506 01 45-05	B	Throttle catch	506 29 57-01	G	Nipple
506 02 84-01	A	Washer	506 29 83-71	AE	Shaft
506 02 87-01	A	Washer	506 29 88-01	G	Screen
506 02 88-30	A	Bushing	506 30 11-14	C	Sealing, kit
506 02 95-02	A	Hose	506 31 77-11	G	Valve cpl
506 02 96-01	A	Spring	506 32 00-02	C	Shaft
506 02 98-02	A	Control knob	506 32 87-01	G	Y-tube
506 03 06-02	A	Adjuster	506 32 89-03	G	Wet cutting kit
506 03 32-02	AE	Screw M8X37	506 34 76-06	A	Belt
506 03 46-45	A	Label	506 34 67-05	C	Drive shaft
506 03 46-46	A	Label	720 13 10-00	B	Pin 5X20
506 03 62-01	A	Spacer	724 32 19-05	B	Screw MFX 3X5
506 03 62-02	A	Spacer	725 53 27-55	AB	Screw M 5X12
506 03 88-01	A	Warning lable	725 53 31-55	C	Screw M 5X20
506 03 95-20	A	Bushing	725 53 41-55	B	Screw M 5X50
506 03 95-22	A	Bushing	725 53 74-55	C	Screw M 6X30
506 03 95-25	A	Bushing	732 25 12-01	C	Nut M4
506 07 09-01	A	Washer	735 31 08-20	C	E-ring 4
506 07 18-02	A	Pulley	735 31 09-20	A	E-ring 5
506 09 56-02	G	Clamp	735 31 14-00	C	Seeger clip SGA12
506 09 83-02	A	Washer	735 31 31-10	C	Retaining ring
506 09 87-01	A	Protector	735 88 06-00	C	Woodruff key
506 10 95-02	D	Hydraulic hose	738 22 01-25	C	Ball Bearing 6201-C3
506 10 96-21	D	Coupler FF female	740 38 27-01	D	Sealing washer 1/4"
506 10 98-21	D	Coupler FF male	740 38 34-01	D	Sealing washer 3/8"
506 11 03-01	C	O-ring	740 42 03-00	C	O-ring 5,1X1,6
506 11 05-01	C	Bearing	740 43 02-00	C	O-ring 4,3X2,4
506 13 83-01	A	Guard 16"	740 43 11-00	C	O-ring 13,3X2,4
506 13 95-11	A	Washer			
506 13 96-01	A	Screw M8X37			
506 14 32-01	A	Catch			
506 19 87-04	C	Hydraulic motor			
506 20 16-01	B	Handle			
506 20 17-01	A	Housing			
506 20 18-01	AE	Spacer			
506 20 27-01	AC	Flange			
506 20 28-01	B	Protector			
506 20 29-01	B	Handle			
506 20 31-01	C	Lever			

A *compl 506 03 06-02



506 03 88-01



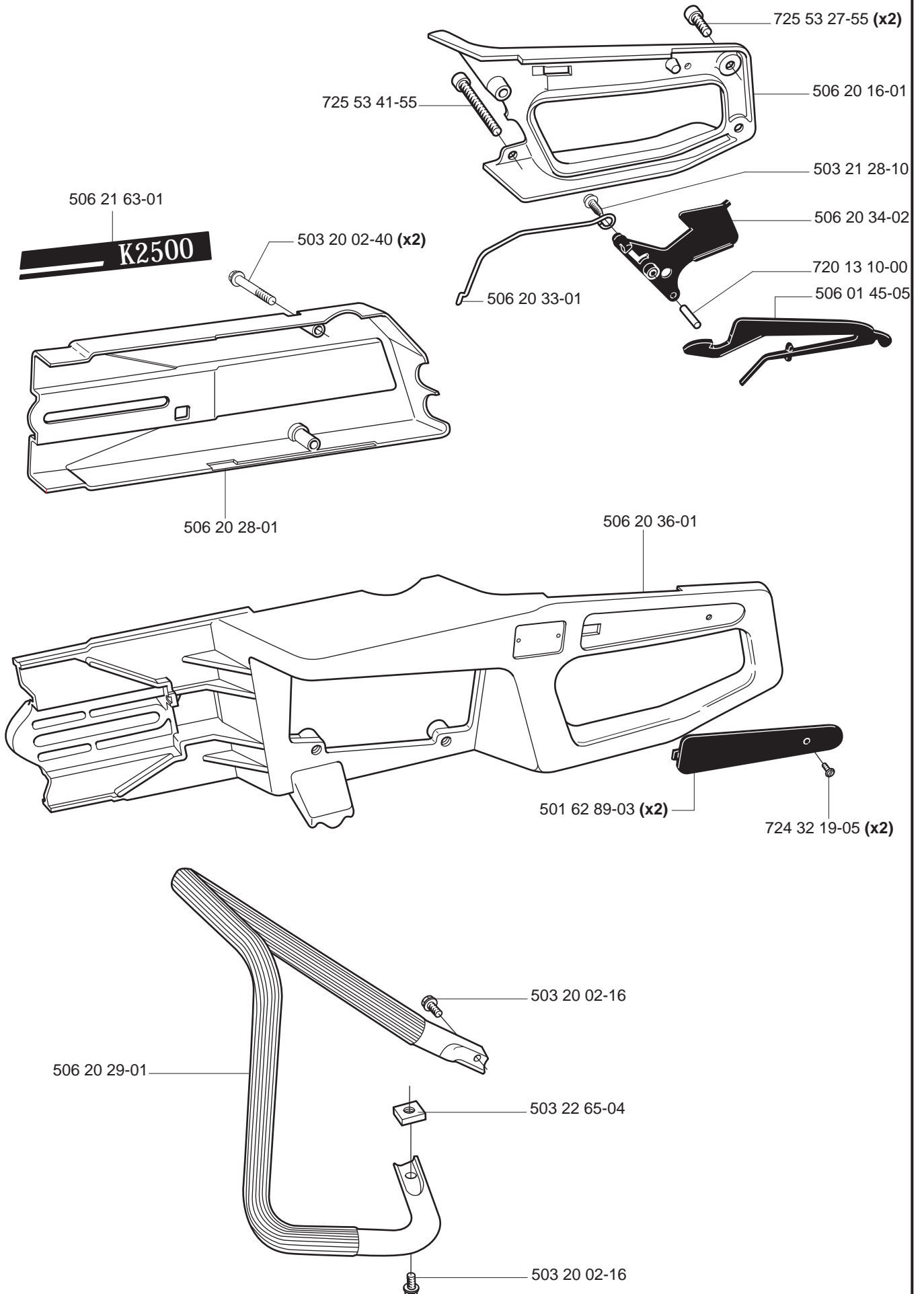
506 03 46-45 Ø 20,0



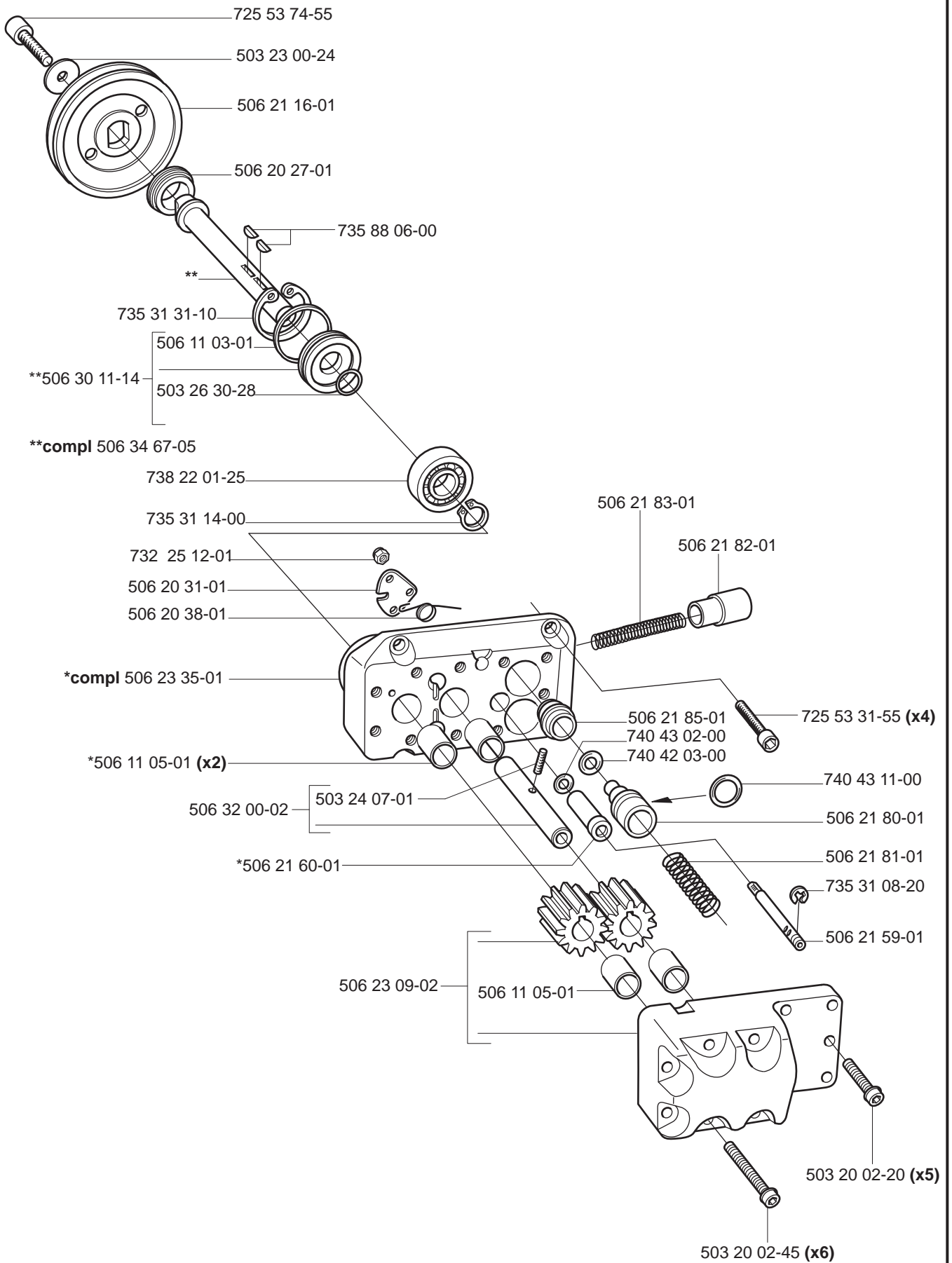
506 03 46-46 Ø 1"

compl 506 13 83-01 16"

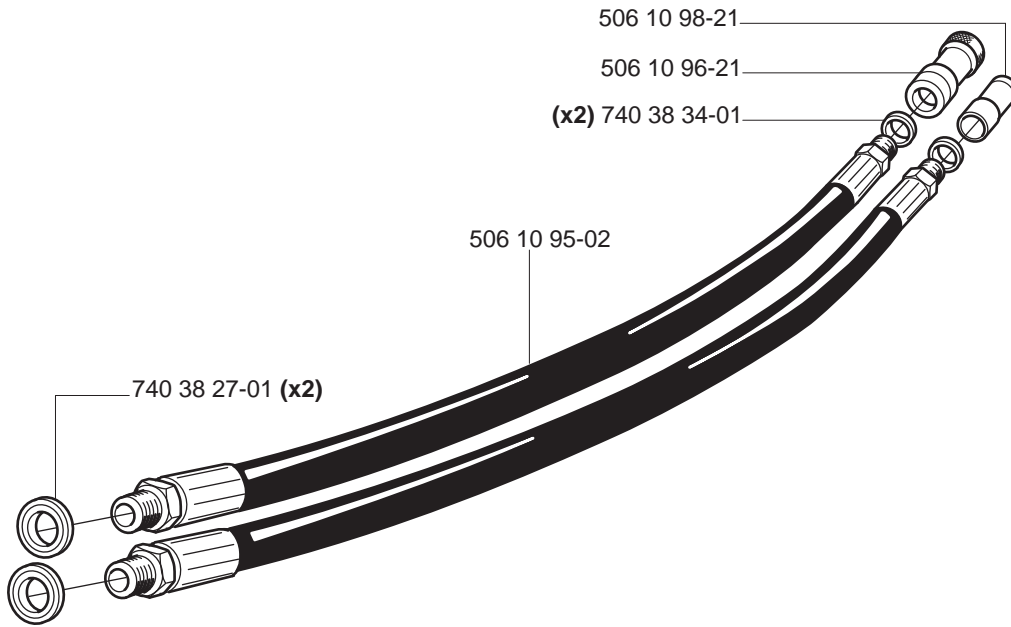
B



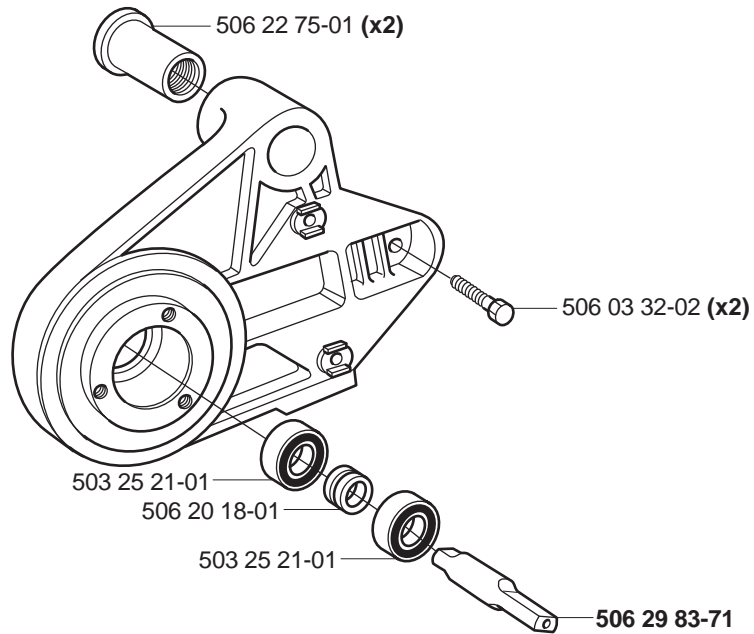
**C Hydraulic motor
compl 506 19 87-04**



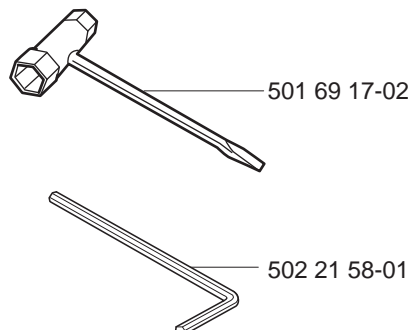
D



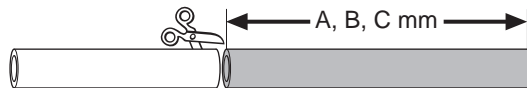
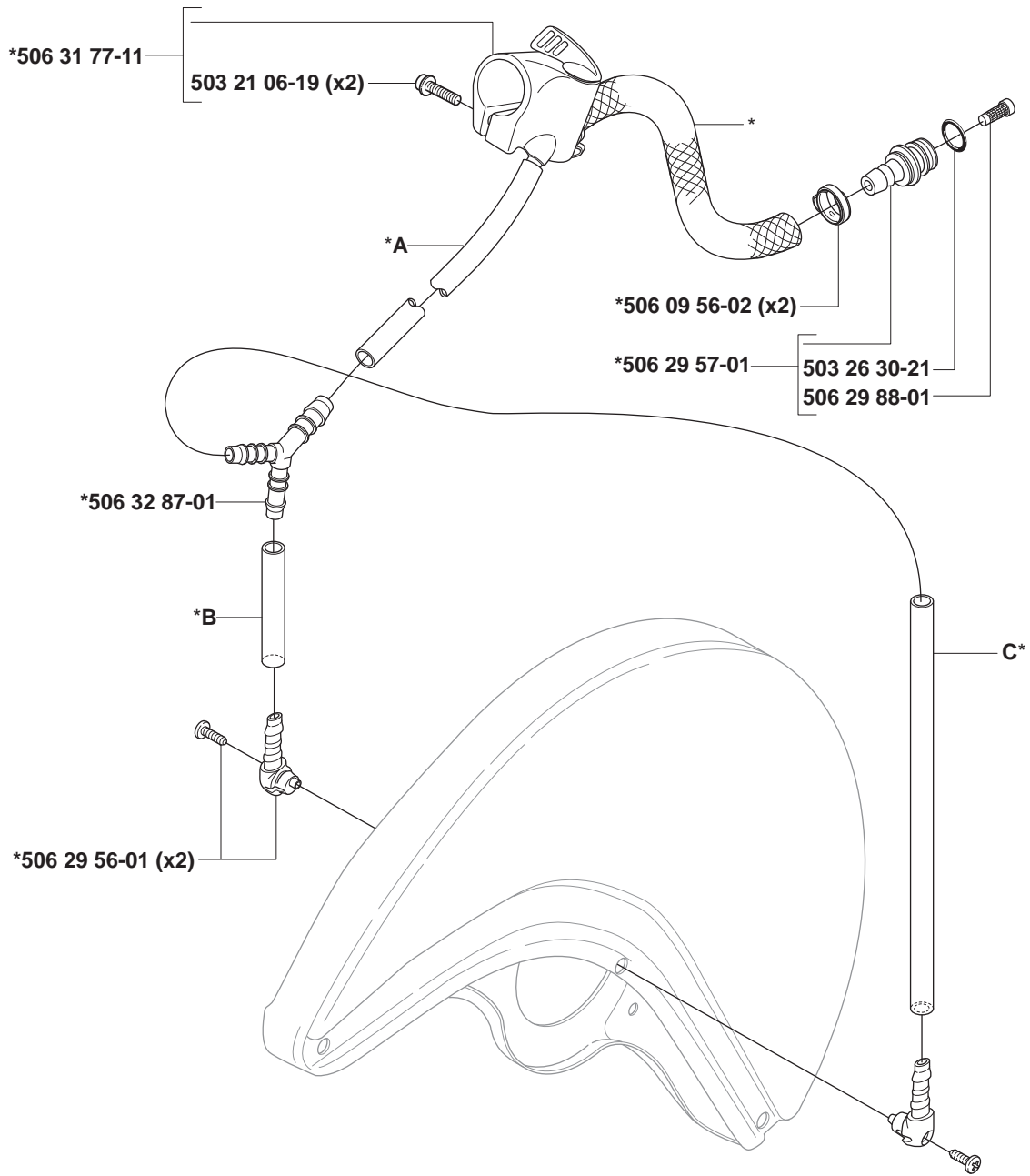
E K2500 RAIL compl 506 23 08-01



F Accessories Zubehöre Accessoires Acessorios Tillbehör



G Wet cutting kit
 *compl 506 32 89-03



Product		A (mm)	B (mm)	C (mm)
K2500	16"	240	45	360