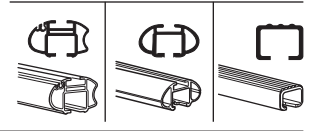
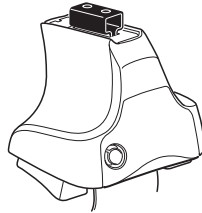


Kit 1085

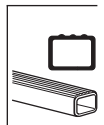
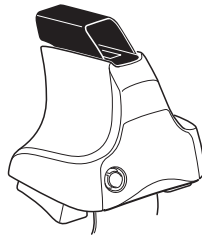
TOYOTA 4 Runner, 3-dr SUV, 90-95

TOYOTA 4 Runner, 5-dr SUV, 90-95

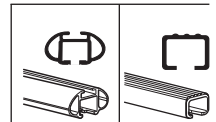
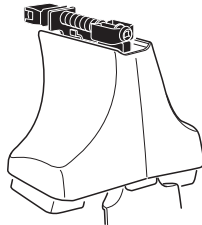
480R
754




480


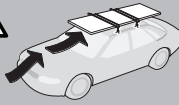
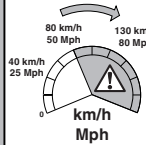


750






 $xx \text{ kg} + 7 \text{ kg} / 15,4 \text{ lbs} =$
 $xx \text{ lbs} + 3 \text{ kg} / 6,6 \text{ lbs} =$



Max. 75kg
Max. 165 lbs

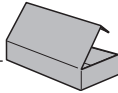

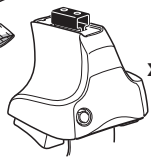







80 km/h 130 km/h
 50 Mph 80 Mph
 40 km/h 25 Mph
km/h Mph

THULE



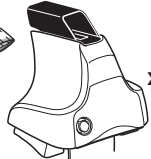


Kit XXXX
 instructions



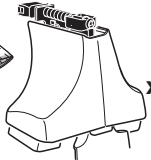

x1 **x4** **x4** **x4**

480R/754

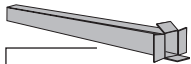
x1 **x4** **x4** **x4**







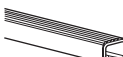




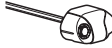




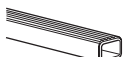
480

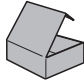





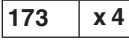
x1 **x4** **x4**

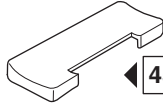
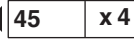
750

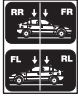


  x2  x2  x2  x4	  x2	  x2  x2  x4  x4	  x2  x2	  x2
---	--	--	---	--

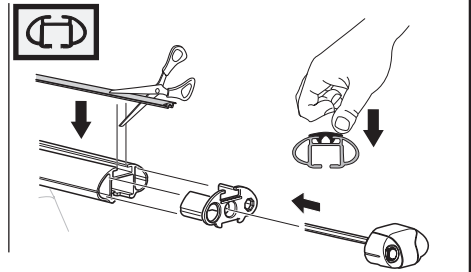
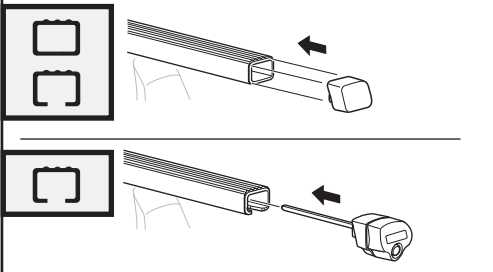
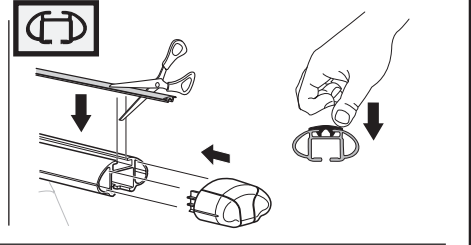
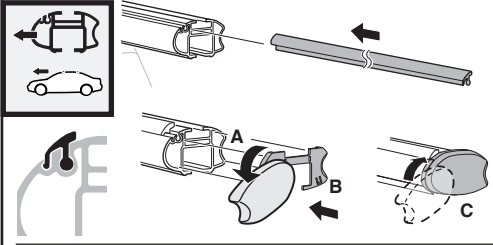
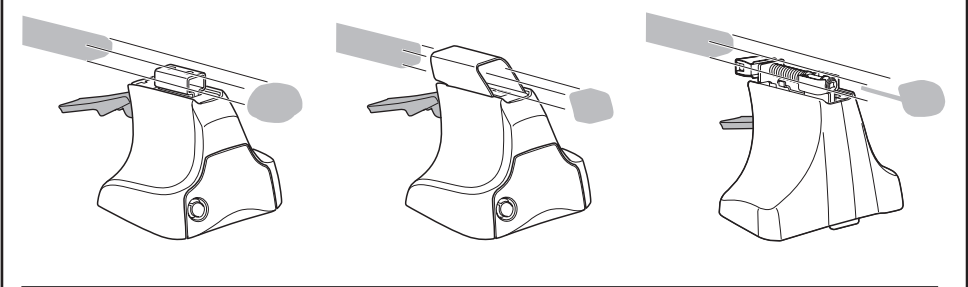
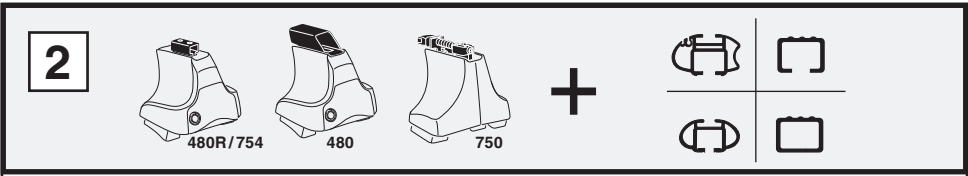
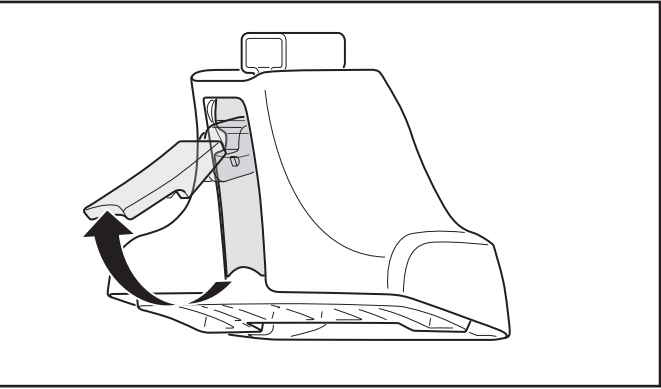
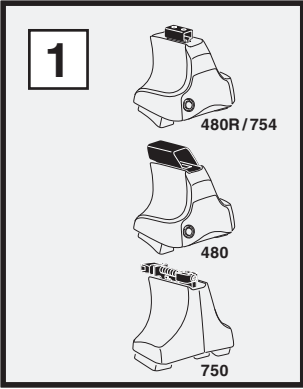




173 x4

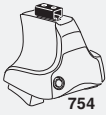


45 x4


x1

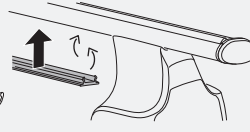
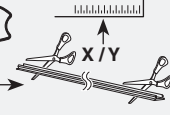
Kit



3



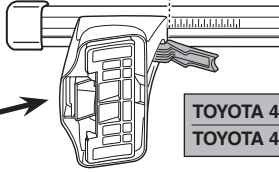
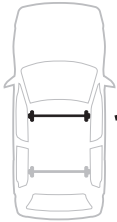
754



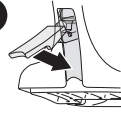
750



1

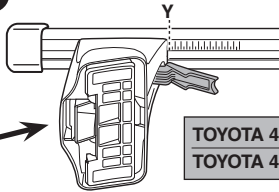


2

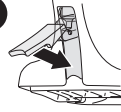


	X
TOYOTA 4 Runner, 3-dr SUV, 90-95	31,5
TOYOTA 4 Runner, 5-dr SUV, 90-95	31,5

1



2



	Y
TOYOTA 4 Runner, 3-dr SUV, 90-95	30,5
TOYOTA 4 Runner, 5-dr SUV, 90-95	30,5

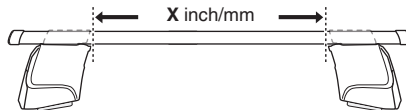
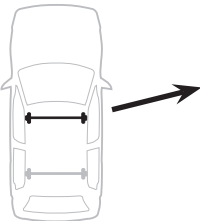


480R



480

1

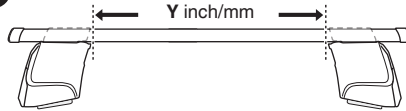
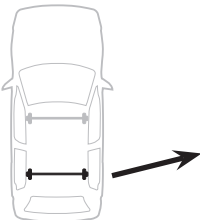


2

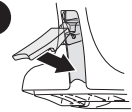


	X inch	X mm
TOYOTA 4 Runner, 3-dr SUV, 90-95	38"	966 mm
TOYOTA 4 Runner, 5-dr SUV, 90-95	38"	966 mm

1



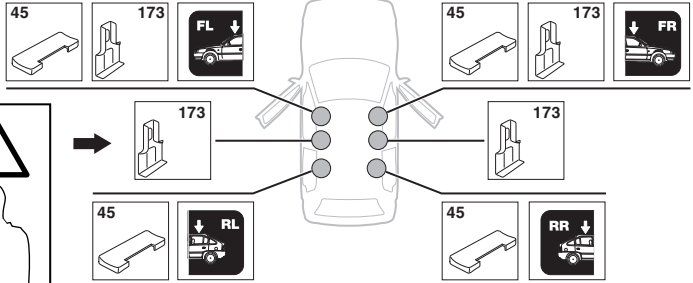
2



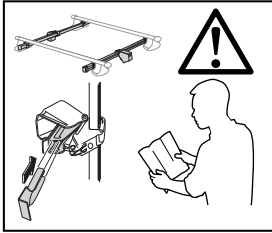
	Y inch	Y mm
TOYOTA 4 Runner, 3-dr SUV, 90-95	37 ⁵ / ₈ "	956 mm
TOYOTA 4 Runner, 5-dr SUV, 90-95	37 ⁵ / ₈ "	956 mm

4

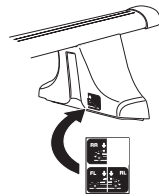
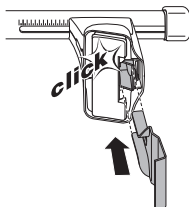
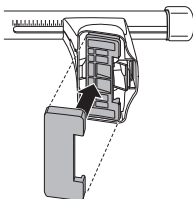
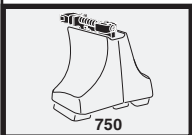
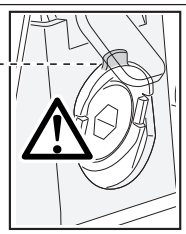
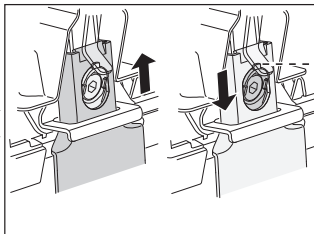
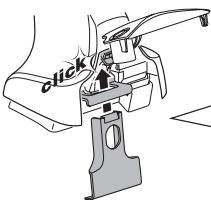
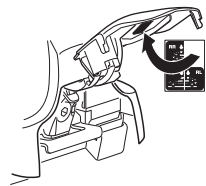
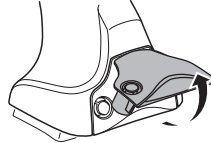
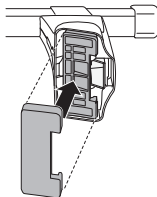
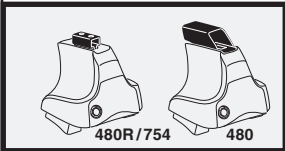
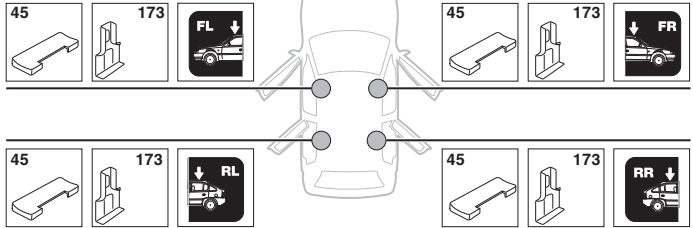
TOYOTA 4 Runner, 3-dr SUV, 90-95



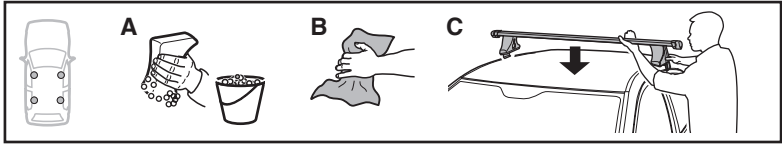
SRA



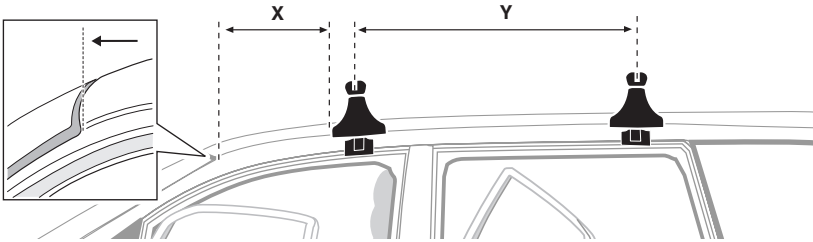
TOYOTA 4 Runner, 5-dr SUV, 90-95



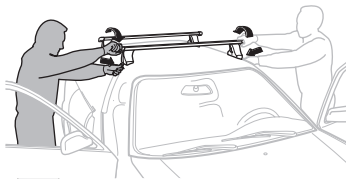
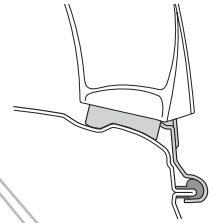
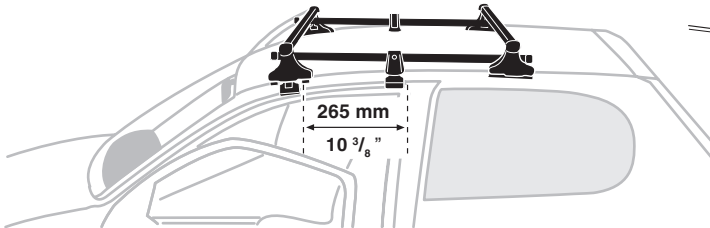
5



	X mm	Y mm	X inch	Y inch
TOYOTA 4 Runner, 3-dr SUV, 90-95	200 mm	700 mm	7 7/8"	27 1/2"
TOYOTA 4 Runner, 5-dr SUV, 90-95	300 mm	700 mm	11 3/4"	27 1/2"



TOYOTA 4 Runner, 3-dr SUV, 90-95



GB/US Tighten alternately

D Die Schrauben abwechselnd anziehen

F Serrer alternativement chaque côté

NL Afwisselend aan de linker- en de rechterkant aandraaien

I Alternare il serraggio delle viti

E Serrare alternativamente

PT Aperte alternadamente

S Dra åt växelvis

FIN Kierrä vuorotellen

EST Pinguldage vaheldumisi

LAT Pielvelciēt pamīšus

LIT Užsukinėkite pakaitomis

PL Śruby dokręcaj naprzemiennie

RU Затягивайте попеременно

CZ Pokręťta bagažníka dokręcaj dokręcaj naprzemiennie.

SK Doťahujte striedavo

SLO Privijajte izmenično.

HR Naizmjenično zategnite

HU Egymástól függetlenül szorítandó

GR Σφιγγετε εναλλάξ

TR Dönüşümlü sıkın

中文 交替拧紧

한국어 번갈아 가며 조이십시오.

日本語 交互に締め付けてください。

ไทย ชั้้นในแบบสลับ

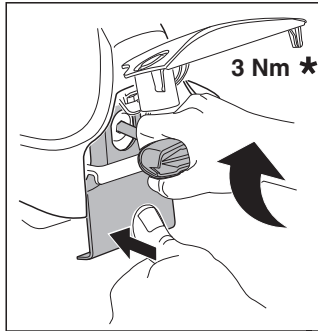
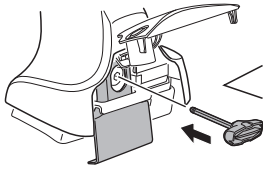
6



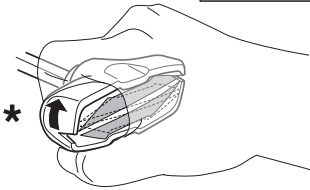
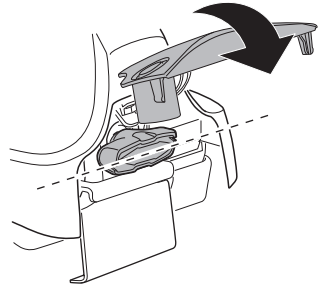
480R/754



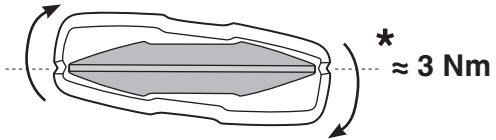
480



3 Nm *



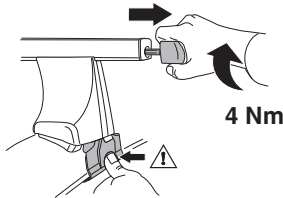
*



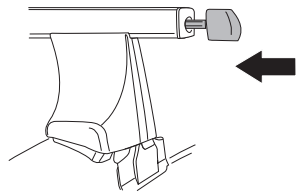
* ≈ 3 Nm



750



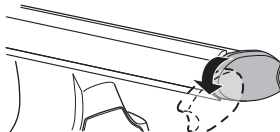
4 Nm



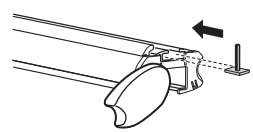
i



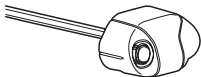
1



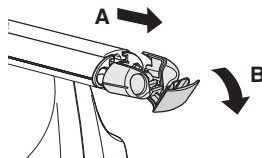
2



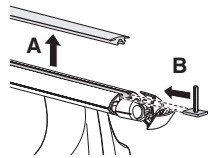
i



1



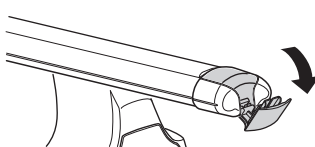
2



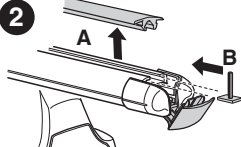
i

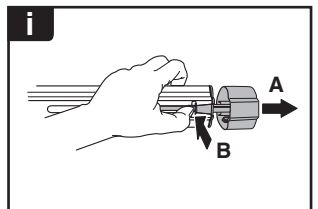
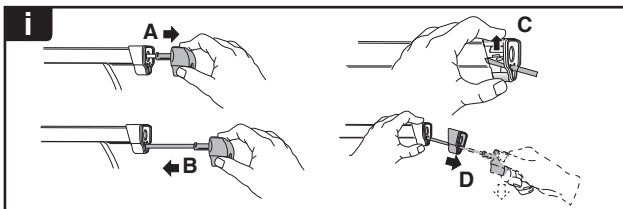
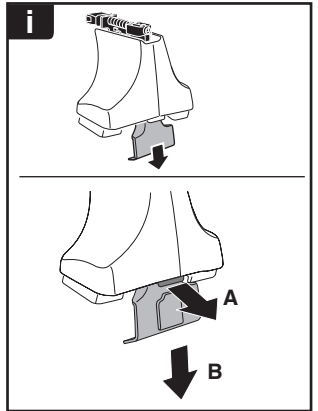
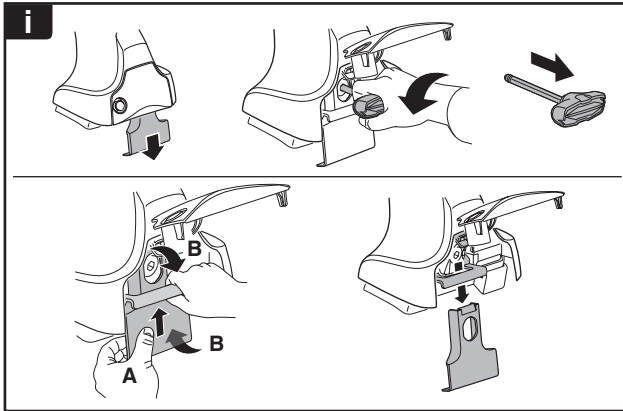
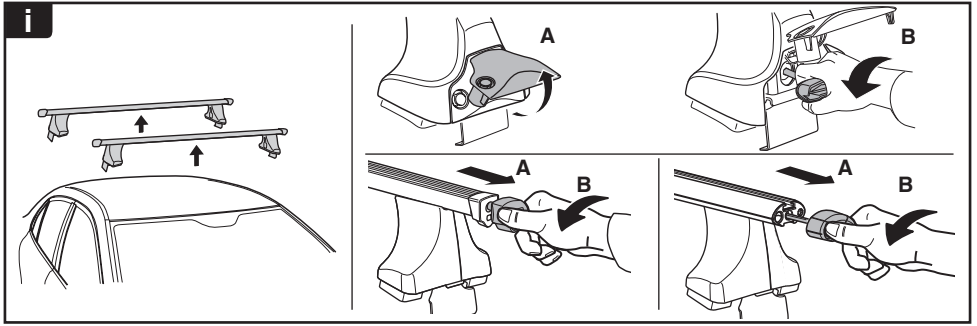


1

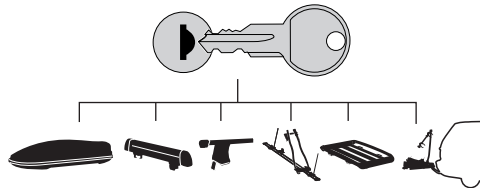


2

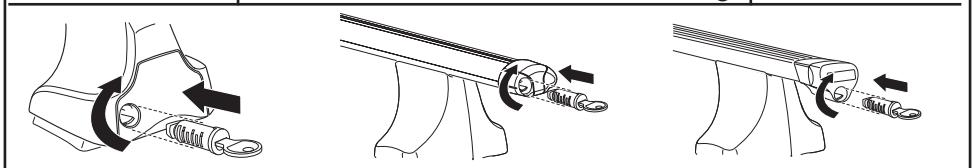




THULE
SWEDEN
**ONE
KEY
SYSTEM**



		(x4)
		(x6)
		(x8)
NA		(x10)
EUR		(x12)
ASIA		(x12)



WW ▶ Thule Sweden AB, Box 69, 330 33 Hillerstorp, SWEDEN
NA ▶ Thule Inc., 42 Silvermine Road, Seymour, Connecticut 06483, USA

info@thule.com
customer.service@thule.com

www.thule.com