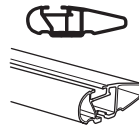
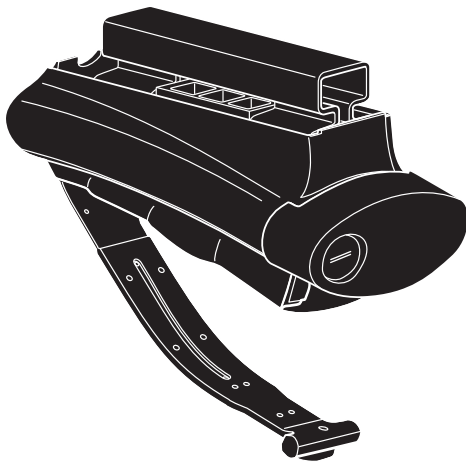
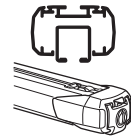


## Thule Rapid System 775

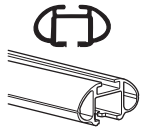
# > Instructions



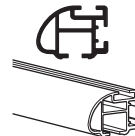
WingBar



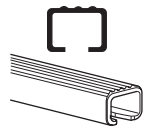
SlideBar



AeroBar



ProBar



SquareBar

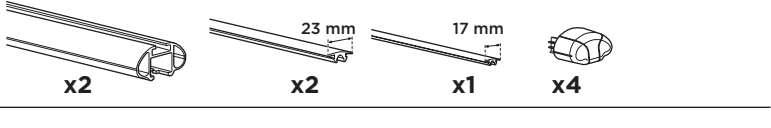
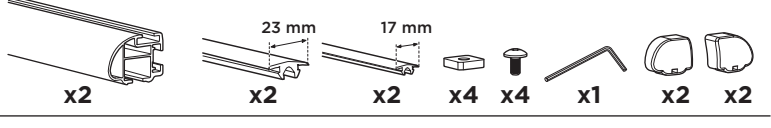
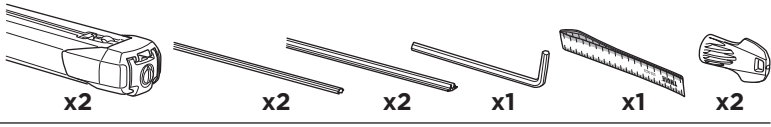
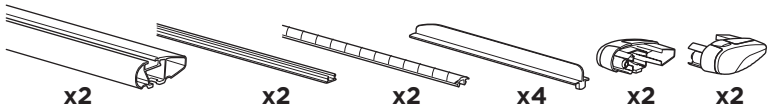
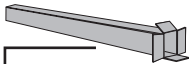
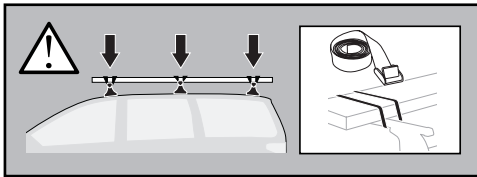
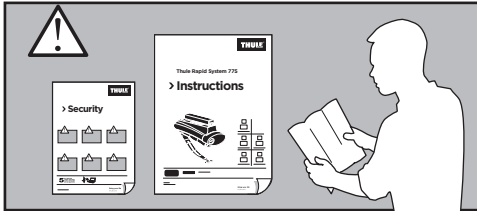
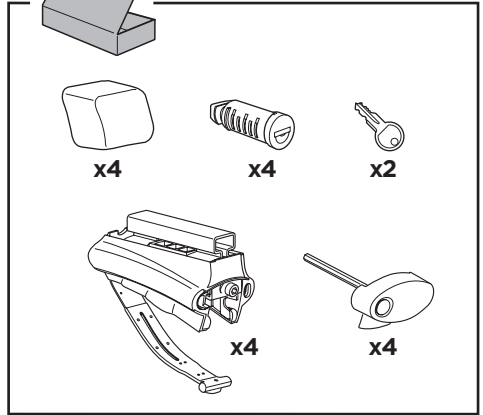
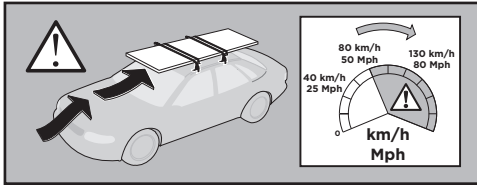


**CITY CRASH** ISO 11154-E

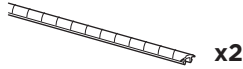
Complies with ISO norm

**775000**

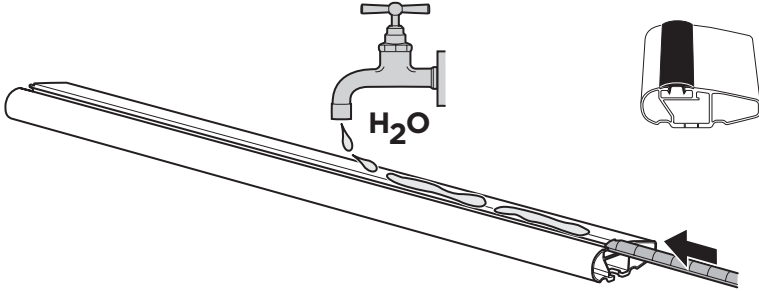
C.20120330  
501-6882-05



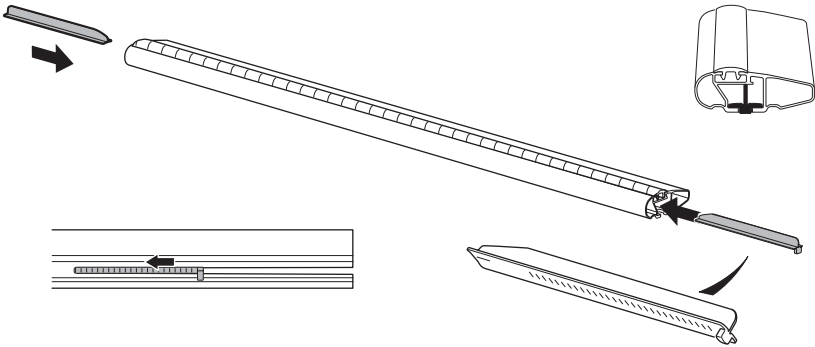
1



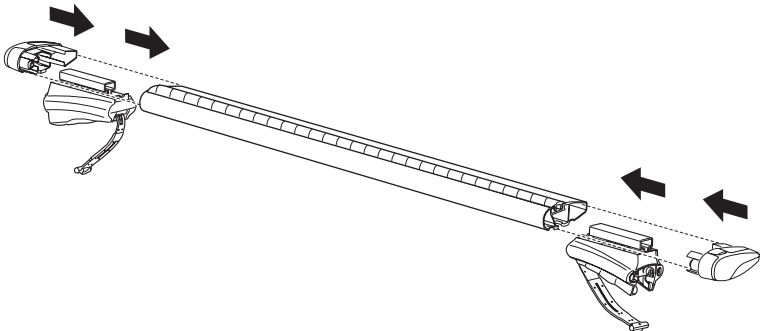
A



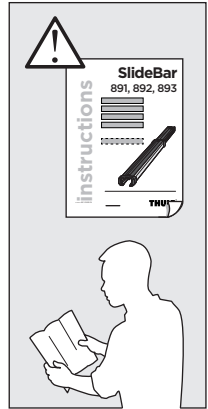
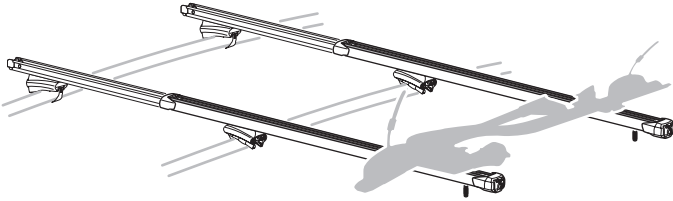
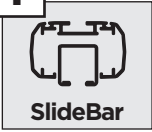
B



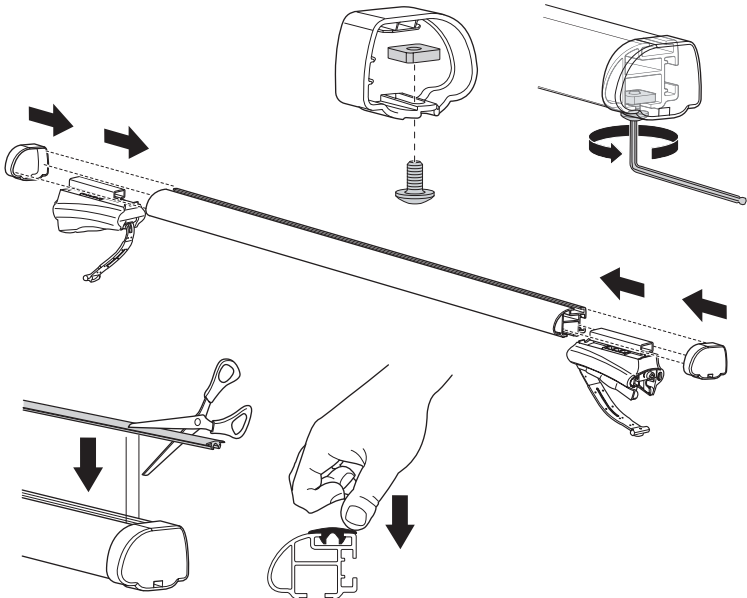
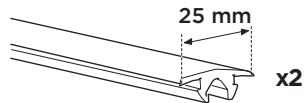
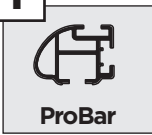
C



1



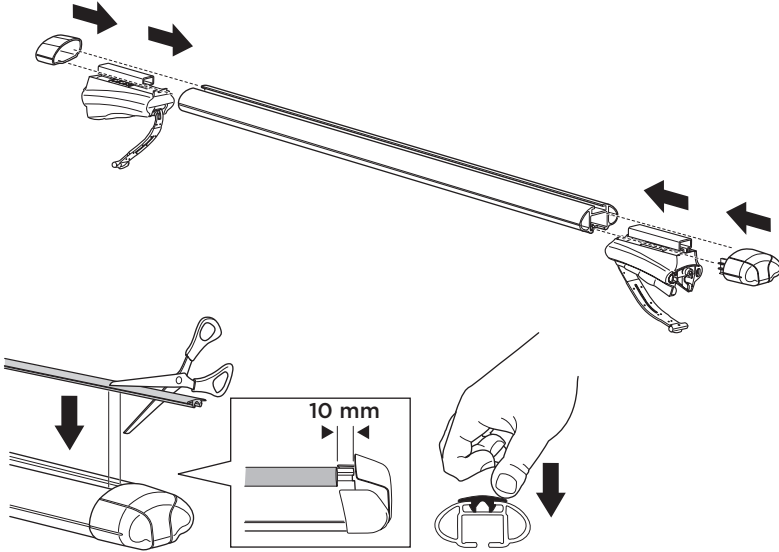
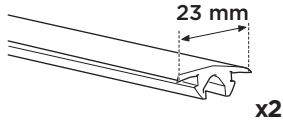
1



1



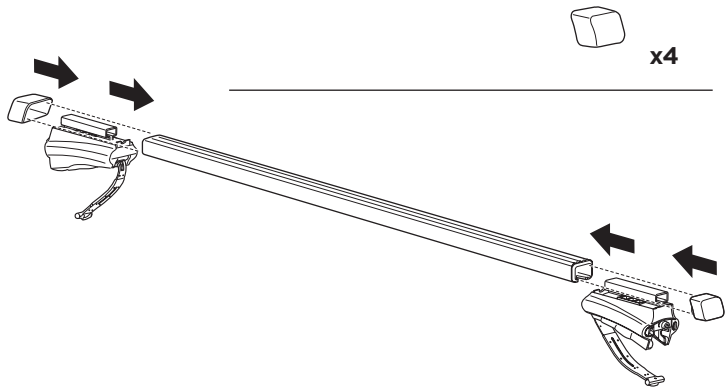
AeroBar

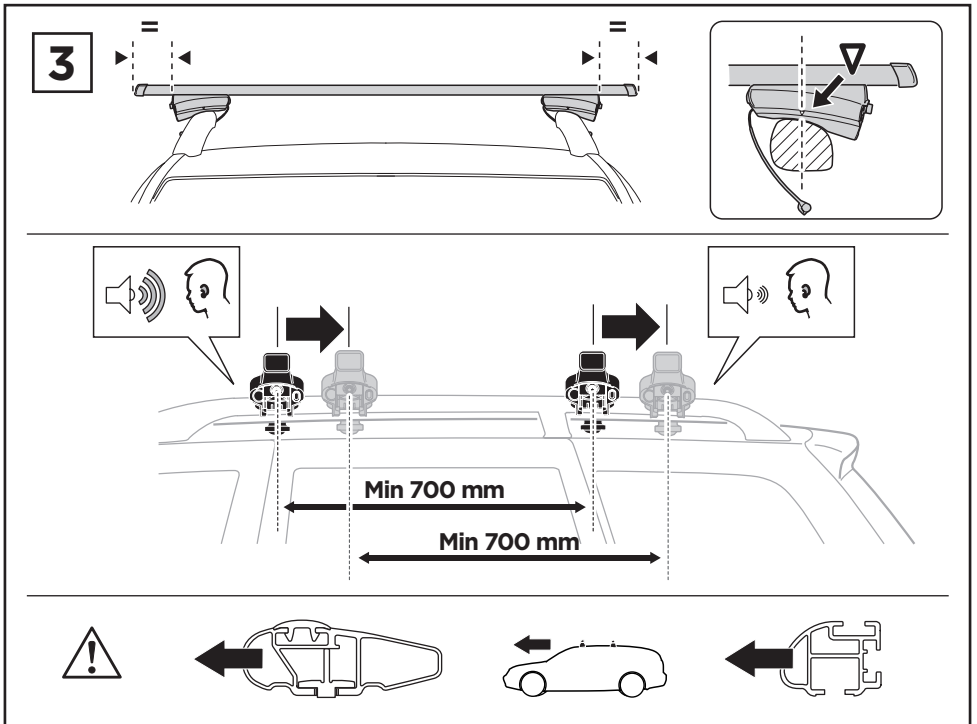
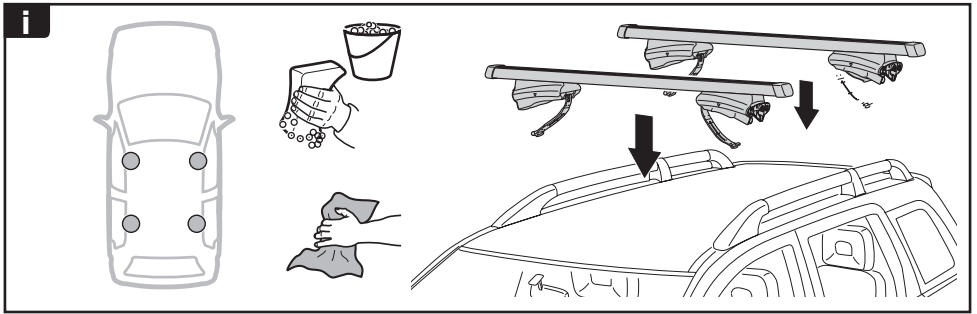
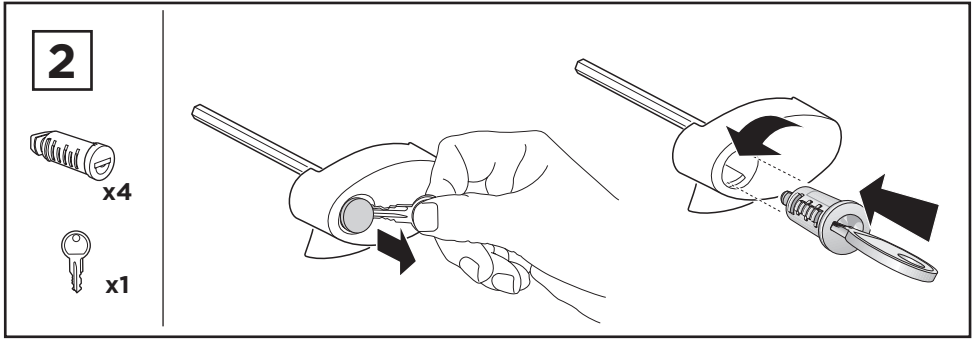


1

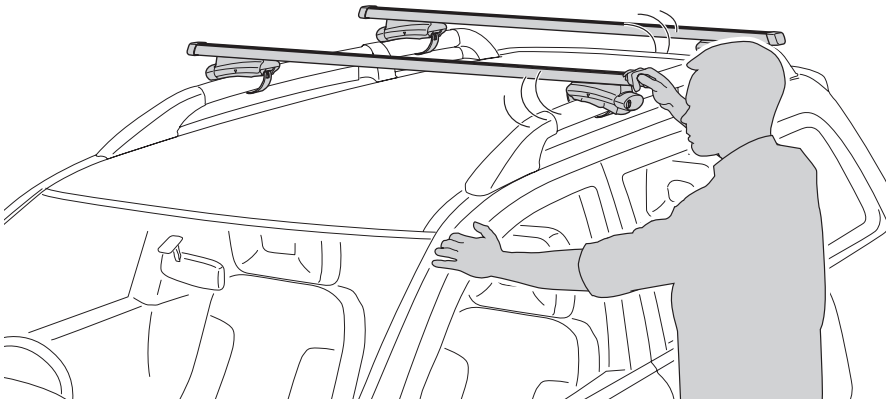
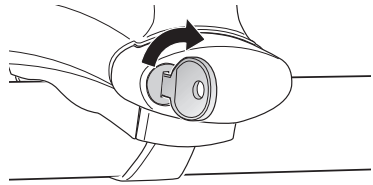
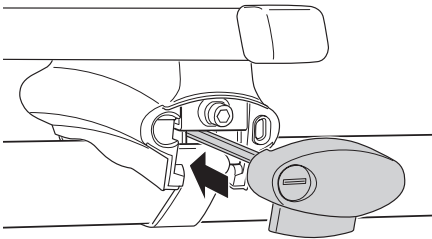
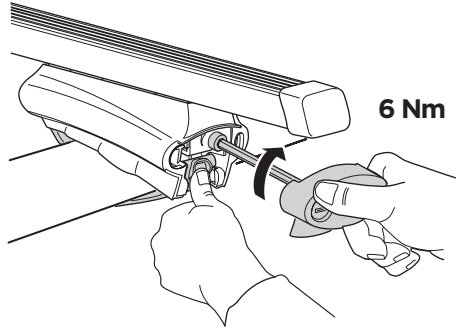
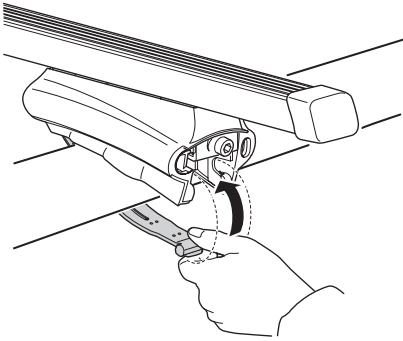


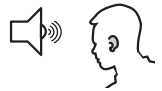
SquareBar



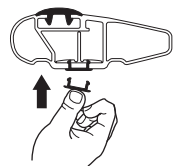
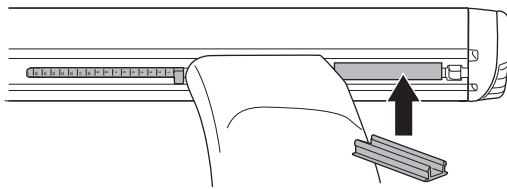
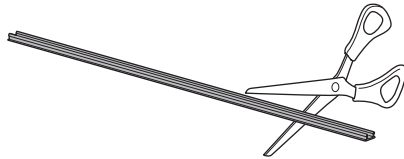
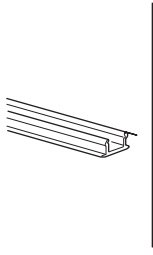


4

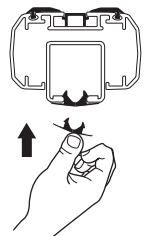
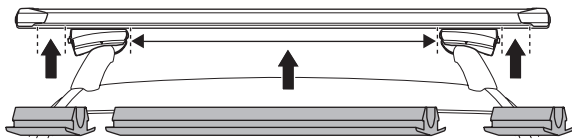
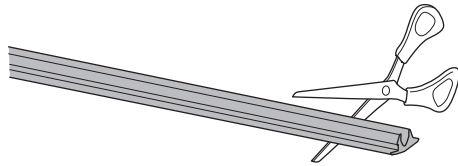
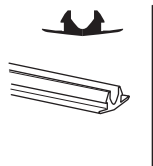




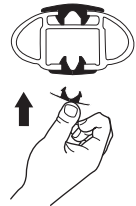
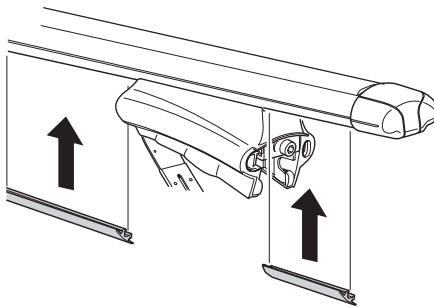
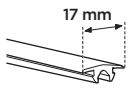
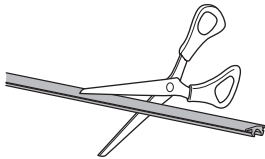
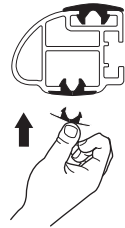
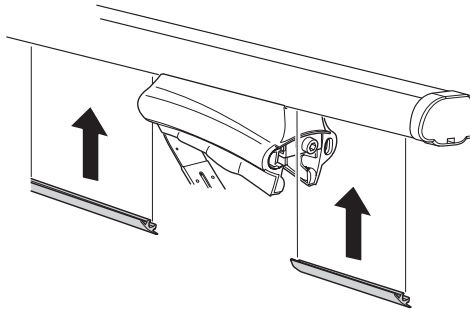
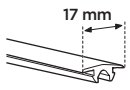
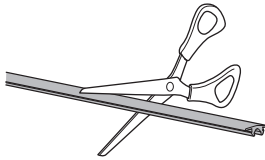
**WingBar**



**SlideBar**

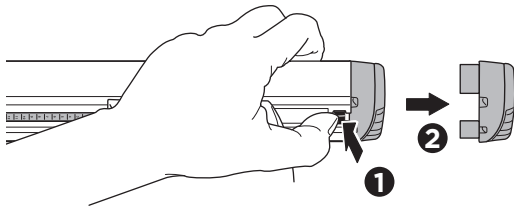
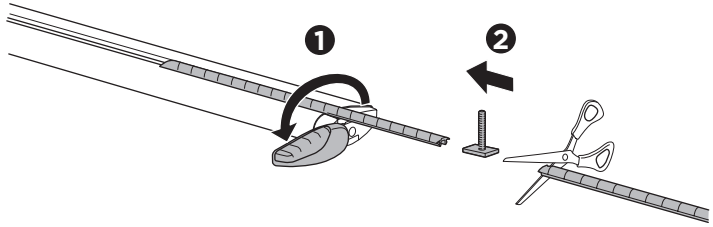




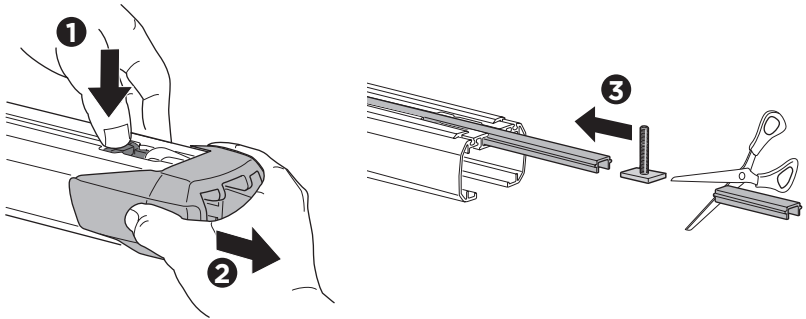




**WingBar**

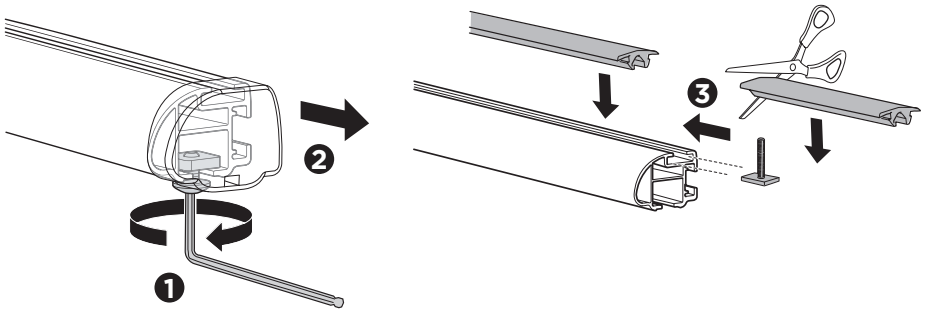


**SlideBar**

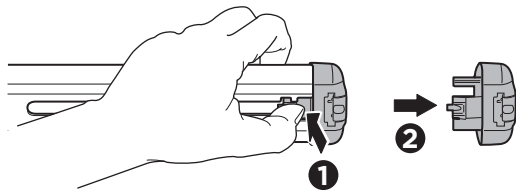
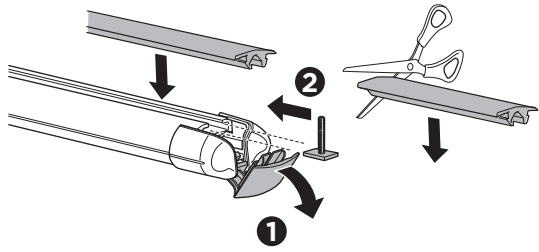




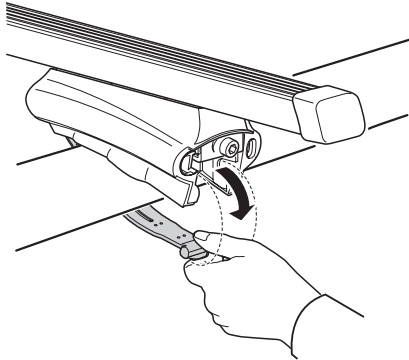
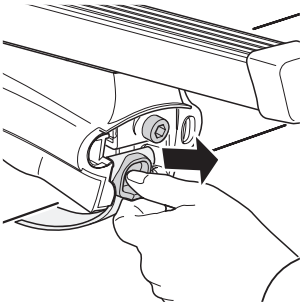
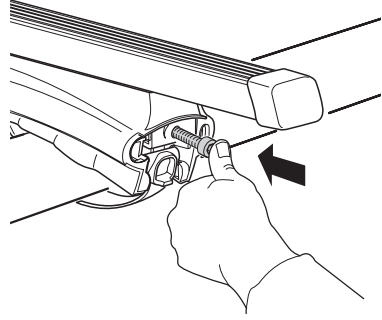
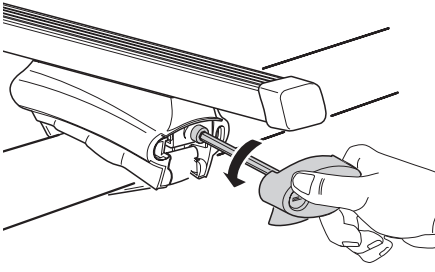
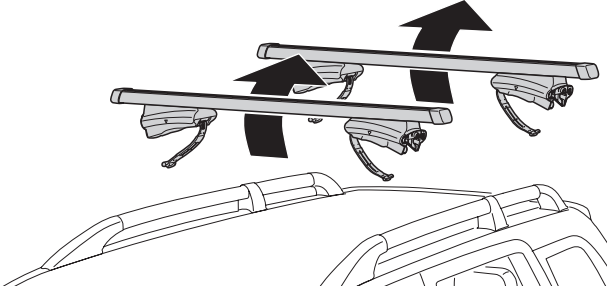
**ProBar**



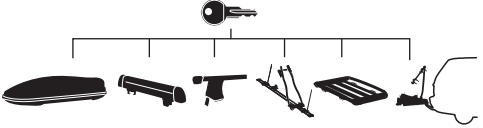
**AeroBar**







i



### Thule One-Key System



- 544**  (x4)
- 596**  (x6)
- 588**  (x8)
- 452**  (x12)