



## Dimplex Line Voltage Electric Heat Thermostat

### FEATURES

Clean, attractive style suits any decor  
wall-mount design sits flush against wall  
Includes both °C and °F control dials



### SPECIFICATIONS

#### Electrical Ratings:

Electrical Ratings  
0 - 2640 watts max. at  
120 volts (22 amps)  
0 - 4576/5280 watts at  
208/240 volts (22 amps)  
0 - 4986 watts at  
277 volts (18 amps)

#### Sensing Element:

Bimetal

#### Temperature Operating Range:

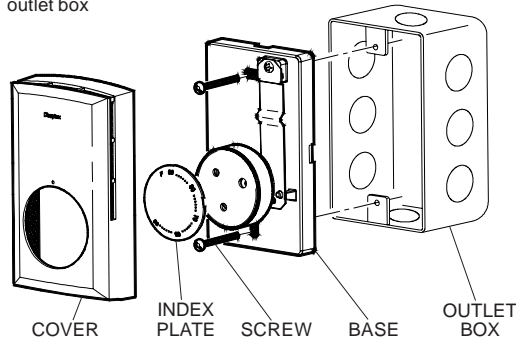
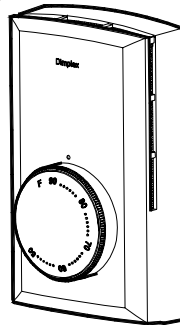
5° - 35°C  
41° - 95°F

#### Approvals:

Underwriters Laboratories Inc No.: E105830  
Canadian Standards Association No.: LR30410

#### Mounting:

Mounts directly into a standard 2 x 4 inch vertical electrical outlet box



### SINGLE POLE THERMOSTAT INSTALLATION

#### WARNING

The installation of the thermostat must comply with the applicable Local and/or National Electrical Codes and utility requirements. This installation should be entrusted to duly qualified personnel where required by law.

#### WARNING

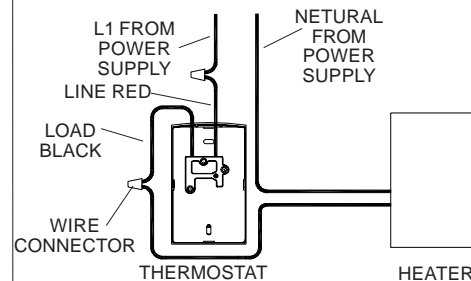
Ensure that all wiring connections to the thermostat are correct and tight to prevent electrical shorts. Use the appropriate wire to meet local and national electrical codes for rated power consumption.

1. Disconnect power supply to prevent electrical shock or product damage.
2. Run line voltage wiring to the thermostat location.
3. Do not remove the thermostat cover.
4. Connect the red LINE lead on the thermostat to the L1

5. Connect the black LOAD lead from the thermostat to the line lead on the heater.
6. Connect the N Neutral (or L2) line to the remaining line of the heater.
7. Secure the ground wire to the ground screw provided in the outlet box.
8. Ensure that all connections are tight.
9. Insert wires into the outlet box taking care not to damage the sensing device or wiring.
10. Remove the thermostat cover by grasping the cover by the sides and pulling it away from the thermostat base.
11. Mount the thermostat base into the wall box and secure using the two supplied screws.

#### NOTE:

Do not over tighten mounting screws  
12. Replace thermostat cover.



### DOUBLE POLE THERMOSTAT INSTALLATION

#### WARNING

The installation of the thermostat must comply with the applicable Local and/or National Electrical Codes and utility requirements. This installation should be entrusted to duly qualified personnel where required by law.

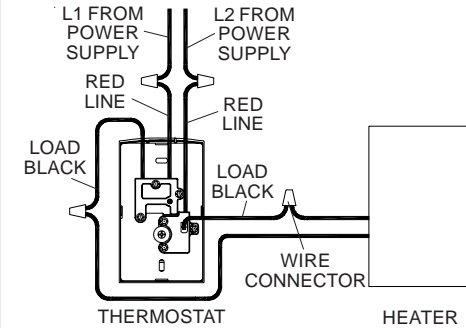
#### WARNING

Ensure that all wiring connections to the thermostat are correct and tight to prevent electrical shorts. Use the appropriate wire to meet local and national electrical codes for rated power consumption.

1. Disconnect power supply to prevent electrical shock or product damage.
2. Run line voltage wiring to the thermostat location.
3. Do not remove the thermostat cover.
4. Connect the black LOAD leads on the thermostat to the leads on the heater.
5. Connect the red LINE leads on the thermostat to the line leads from the power supply panel.
6. Ensure that all connections are tight.
7. Insert wires into the outlet box taking care not to damage the sensing device or wiring.
8. Secure the ground wire to the ground screw provided in the outlet box.
9. Remove the thermostat cover by grasping the cover by the sides and pulling it away from the thermostat base.
10. Mount the thermostat into the wall box and secure using the two supplied screws.

#### NOTE:

Do not over tighten mounting screws  
11. Replace thermostat cover.

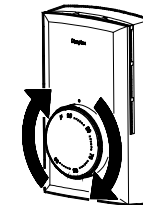


#### OPERATION

To adjust the temperature to your individual requirements, turn the thermostat control clockwise all the way to turn on the heater. When the room reaches the desired temperature, turn the thermostat knob counter clockwise until you hear a click. Leave in this position to maintain the room temperature at this setting. For additional heat, turn clockwise until you hear the click again and the heater will turn on.

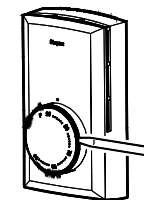
**For single pole models:-** Turning the knob fully counter clockwise will set the temperature rating to 5°C (41°F).

**For double pole models:-** Turning the knob fully counter clockwise will disconnect the power to the heater.



#### INDEX PLATE REMOVAL

Using a small flat screwdriver or other suitable tool gently pry up on one of the slots located on the index plate. To install line up the index plate pins with the holes in the thermostat knob and push until the index plate is flush with the thermostat knob.



7207610100rev00