



ОПИСАНИЕ

2920 ПЪДЕСТАЛ ДЛЯ КОМПЛЕКТАЦИИ С РАКОВИНАМИ NAUTIC И LOGIC
GB1129200100

[ГДЕ КУПИТЬ](#)



| ARTICLE NAME | ARTICLE NUMBER | EAN |
|--------------|----------------|---------------|
| 2920 | GB1129200100 | 7391530054254 |



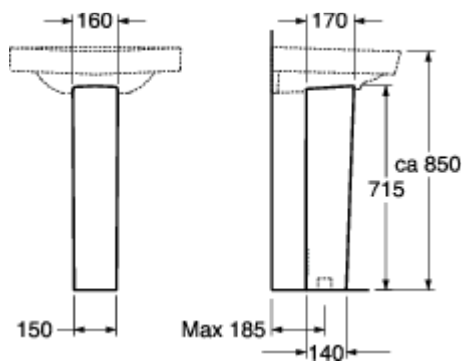
A MEMBER OF THE
VILLEROY & BOCH GROUP

Villeroy & Boch Gustavsberg AB
Box 400, 134 29 GUSTAVSBERG
Phone +46 8 570 391 00 | Fax +46 8 570 366 58
www.gustavsberg.com | info@gustavsberg.com



ОПИСАНИЕ

DRAWING



[ГДЕ КУПИТЬ](#)



A MEMBER OF THE
VILLEROY & BOCH GROUP

Villeroy & Boch Gustavsberg AB
Box 400, 134 29 GUSTAVSBERG
Phone +46 8 570 391 00 | Fax +46 8 570 366 58
www.gustavsberg.com | info@gustavsberg.com