

Operating manual
Coating thickness tester
Model: ZCT 888



Table of contents

1. General information	3
Functions	3
Application	3
Description of the gauge	4
Complete set	4
Probe	4
Specifications	5
Features	6
LCD display	7
2. Ready to start	8
3. Settings	10
4. Trouble shooting	15
5. Warranty	16
6. Exceptions from responsibility	16

Appendix 1: Warranty card**Appendix 2:** Certificate of acceptance and sale

1. General information

The coating thickness gauges work either on the magnetic induction principle or on the eddy current principle, depending on the type of probe used. You can select the type of probe via MENU system, or it will work automatically.

Functions

- Measured Coatings: Non-magnetic coatings (e.g. paint, zinc) on steel; Insulating coatings (e.g. paint, anodizing coatings) on non-ferrous metals
- Operating with MENU easily
- Memory for 2500 readings
- Delete single readings and all group readings easily
- Error indication
- Data transferred to PC via Bluetooth for analysis
- Disable Auto-Power-off function via MENU setting

Application

- This compact and handy gauge is designed for non-destructive, fast and precise coating thickness measurements. The principal applications lie in the field of corrosion protection. It is ideal for manufacturers and their customers, for offices and specialist advisers, for paint shops and electroplaters, for the chemical, automobile, shipbuilding and aircraft industries and for light and heavy engineering.
- ZCT 888 gauge is suitable for laboratory, workshop and outdoor use.
- The probe can work on both principles, magnetic induction and on the eddy current principle. One probe only is required for coating measurement both on ferrous and non-ferrous metal substrates.

It is adaptable to specific tasks: i.e. they can be used on special geometries or on materials with special properties.

- Automatic shutdown function
- LCD backlight functionUNI-1
- The function of displaying maximum / minimum value
- Data hold function
- Data storage function

Description of the Gauge

- For measurement on steel substrates, the gauge works on the magnetic induction principle, for measurement on non-ferrous metal substrates, it works on the eddy current principle.
- Measured values and user information are shown on LCD. The display with backlight ensures easy reading of screen data in dark conditions.

Complete set

- Gauge with two AAA 1.5V batteries, plastics carrying case, operating instructions, steel and aluminum substrate, and standard flake for calibration.

Probe

The Probe systems are spring-mounted in the probe sleeve. This ensures safe and stable positioning of the probe and constant contact pressure. A V-groove in the sleeve of the probes facilitates reliable readings on small cylindrical parts. The hemispherical tip of the probe is made of hard and durable material. Hold the probe by the spring mounted sleeve and put on measuring object.

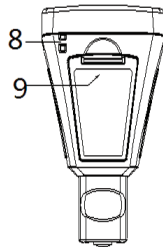
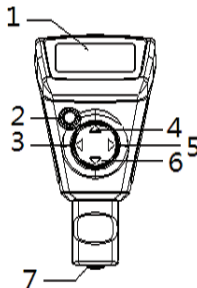
Specifications

Sensor probe	F	N
Working principle	Magnetic induction	Eddy current principle
Measuring range	0~2000μm 0~78.7mils	0~2000μm 0~78.7mils
Guaranteed tolerance(of reading)	0 ~ 1000 um (±2%±2um) 1000~ 2000 um (±3.5%) 0~39.3mils(±2%±0.08 mils) 39.3~78.7mils(±3.5)	0 ~ 1000 um (±2%±2um) 1000~ 2000 um (±3.5%) 0~39.3mils(±2%±0.08 mils) 39.3~78.7mils(±3.5)
Precision	0~100um (0.1um) 100um~1000um(1um) 1000um~2000um(0.01mm) 0~10mils(0.01 mils) 10~78.7mils(0.1 mils)	0~100um (0.1um) 100um~1000um(1um) 1000um~2000um(0.01mm) 0~10mils(0.01 mils) 10~78.7mils(0.1 mils)
Minimum curvature radius	1.5mm	3mm
Diameter of Minimum area	7mm	5mm
Minimum measurable thickness	0.5mm	0.3mm

Overload display	---	---
Working temperature	0°C~40°C(32°F~104°F)	
Working relative humidity	20%~90%	

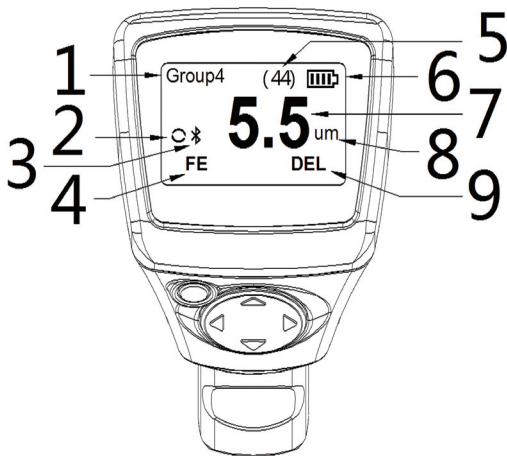
Features

- 1) LCD display
- 2) Power ON/OFF key
- 3) Left Key: For choose and OK
- 4) Up key: For upward selection and working mode switch
- 5) Right Key: For return or delete the last measured data
- 6) Down key: For downward selection or working mode switch
- 7) Probe
- 8) Lanyard hole
- 9) Battery cover




LCD Display

- 1) Working mode
- 2) Auto measure mode
- 3) Bluetooth indication
- 4) Ferrous or No-ferrous metals being measured. It will change automatically in the Auto measure mode
- 5) Measured data quantity in the working mode
- 6) Battery indication
- 7) Measure data
- 8) Unit
- 9) Delete data, press right button to delete the current data



2. Ready to start

Power Supply

For power on, please press and hold  button. If no LCD display: please check if the battery is correctly installed or it is in low battery.

 Display: Please replace battery immediately.

Note that the gauge will make faulty measurements if the voltage is very low.


Note: When power on, please away from any metal at least 10 cm above. Before each measurement, zero calibration is recommended.

Replacing the Battery

- Power off the meter.
- Open the battery cover.
- Remove battery.
- Insert new battery.
- Close the battery cover.

Caution: Make sure the anode and cathode are correctly positioned.

Menu System and Basic Settings

Press  to power on; the gauge will work in measuring mode. Press left button into MENU mode. See following MENU system arrangement.

Function and operation instruction

(1) SELECT WORKING MODE

Working mode: There are 51 working modes in this gauge. Measure data would not be stored in the gauge in Group0 measure mode.

In the other 50 working modes, 50 measured data can be stored in each mode in cycle.

- A: Press left button to enter the menu
- B: Press Up/down button to select working mode
- C: Press left button to enter working mode
- D: Press up/down button to select working mode
- E: Press left button for OK.

(2) SELECT MEASURE MODE (Probe)

The probe can work in three modes:

AUTO: The probe can automatically select the working mode. When placed on steel (magnetic substrates), it will work in magnetic induction principle. When placed on no-ferrous metals, it will work in eddy current principle.

Fe: The probe works in magnetic induction principle.

No-Fe: The probe works in eddy current principle.

- A: Press left button to enter the menu
- B: Press Up/down button to select working mode
- C: Press left button to enter working mode

- D : Press up/down button to select working mode
- E: Press left button for OK.

3. Settings

Unit setting

Select unit.

- A: Press left button to enter the menu
- B: Press up/down button to select the setting
- C: Press left button to enter the setting
- D: Press up/down button to select Unit
- E: Press left button to enter
- F: Press up/down button to select
- G: Press left button for ok

Backlight setting

Adjust the brightness of the backlight.

- A: Press left button to enter the menu
- B: Press up/down button to select the setting
- C: Press left button to enter the setting
- D: Press up/down button to select backlight
- E: Press left button to enter

F: Press up/down button to adjust the brightness of the backlight

G: Press right button to return.

Auto power off

You can disable Auto-power-off via MENU system or the gauge will power off automatically in about 10 minutes if no measurement or operation.

A: Press left button to enter the menu

B: Press up/down button to select the setting

C: Press left button to enter the setting

D: Press up/down button to select Auto-power-off

E: Press left button to enter

F: Press up/down button to select

G: Press left button for ok

Turn on/off Bluetooth

Turn on Bluetooth, data can be transferred to PC or phone or other Bluetooth receiving device.

Turn on Bluetooth, measure data will be sent automatically via Bluetooth. You can also download measured data via software by PC or phone or other Bluetooth receiving device in working mode.

Note: Turn on Bluetooth, battery power will loss quickly; please do not turn it on when there is not necessary.

When the first connection between the phone/PC and the device is being established, a prompt for the Pin-code of the device may be displayed. In the case, enter the code 0000 into your phone/PC.

- A: Press left button to enter the menu
- B: Press up/down button to select the setting
- C: Press left button to enter the setting
- D: Press up/down button to select Bluetooth
- E: Press left button to enter
- F: Press up/down button to select
- G: Press left button for ok

Adjust gray scale (contrast)

The grayscale adjustment: dot matrix LCD display may not be good in different temperature & humidity, than you can adjust gray scale to get good LCD display.

- A: Press left button to enter the menu
- B: Press up/down button to select the setting
- C: Press left button to enter the setting
- D: Press up/down button to select gray scale
- E: Press left button to enter
- F: Press up/down button to adjust gray scale
- G: Press left button for ok

System information

System version number and gauge serial number display

- A: Press left button to enter the menu

- B: Press up/down button to select the setting
- C: Press left button to enter the setting
- D: Press up/down button to select information
- E: Press left button to enter
- F: View the system information, then press right button to return.

Data View

View the stored measured data in each mode.

All-delete: Delete all measured data in group.

- A: Press left button to enter the menu
- B: Press up/down button to select view
- C: Press left button to enter view
- D: Press up/down button to select working mode
- E: Press left button to enter
- F: Press up/down button to view each data
- G: Press right button to return or press left button to delete this group data.

Calibration and Measurement

The gauge can calibrate Zero-point of Fe or Non-Fe, or delete wrong calibrated zero-point of Fe or Non-Fe. It suggested that zero-point be calibrated before use.

Zero-point calibration of Fe or Non-Fe

A: Press left button to enter the menu

B: Press up/down button to select calibration

C: Press left button to enter view

D: Press up/down button to select zero-point calibration of Fe or Non-Fe

E: Press left button to enter

F: Press right button to return the measurement interface

G: Measure directly on Fe or Non-Fe matrix (can measure many times, last measure is effective)

H: Press left button to confirm the calibration

Also you can press and hold the down button to enter the Zero-point calibration of Fe in measuring mode. Also you can press and hold the up button to enter the Zero-point calibration of Non-Fe in measuring mode.

Delete Fe or Non-Fe Zero-point

A: Press left button to enter the menu

B: Press up/down button to select calibration

C: Press left button to enter calibration

D: Press up/down button to delete zero-point of Fe or Non-Fe

E: Press left button for Ok

F: Press right button to return

Delete Functions

In MENU system, you can find following function:

- Delete current data: in measurement interface, you can delete the last data by pressing right button.
- Delete all data: Enter menu-view; you can delete all data and statistics of the Current
- Delete Group data: Enter menu-view-group data; you can delete this group data by pressing left button

Transfer data to PC or phone or other Bluetooth receiving device.

Enter Menu-setting, then turn on Bluetooth, measure data will be sent automatically via Bluetooth, you can also read all stored measured in all mode.

4. Trouble Shooting

The following list of error messages explains how to identify and eliminate faults.

Err1: Fe probe fault

Err2: Non-Fe probe fault

Err3: Both probes.

Err4: Fe probe fault

Err5: Non-Fe probe fault

Warranty

This product is warranted by the manufacturer to the original purchaser to be free from defects in material and workmanship under normal use for a period of two (2) years from the date of purchase.

During the warranty period, and upon proof of purchase, the product will be repaired or replaced (with the same or similar model at manufacturer's option), without charge for either parts of labour.

In case of a defect please contact the dealer where you originally purchased this product. The warranty will not apply to this product if it has been misused, abused or altered. Without limiting the foregoing, leakage of the battery, bending or dropping the unit are presumed to be defects resulting from misuse or abuse.

Exceptions from responsibility

The user of this product is expected to follow the instructions given in operators' manual.

Although all instruments left our warehouse in perfect condition and adjustment the user is expected to carry out periodic checks of the product's accuracy and general performance.

The manufacturer, or its representatives, assumes no responsibility of results of a faulty or intentional usage or misuse including any direct, indirect, consequential damage, and loss of profits.

The manufacturer, or its representatives, assumes no responsibility for consequential damage, and loss of profits by any disaster (earthquake, storm, flood ...), fire, accident, or an act of a third party and/or a usage in other than usual conditions.

The manufacturer, or its representatives, assumes no responsibility for any damage, and loss of profits due to a change of data, loss of data and interruption of business etc., caused by using the product or an unusable product.

The manufacturer, or its representatives, assumes no responsibility for any damage, and loss of profits caused by usage other than explained in the users' manual.

The manufacturer, or its representatives, assumes no responsibility for damage caused by wrong movement or action due to connecting with other products.

WARRANTY DOESN'T EXTEND TO FOLLOWING CASES:

1. If the standard or serial product number will be changed, erased, removed or will be unreadable.
2. Periodic maintenance, repair or changing parts as a result of their normal runout.
3. All adaptations and modifications with the purpose of improvement and expansion of normal sphere of product application, mentioned in the service instruction, without tentative written agreement of the expert provider.
4. Service by anyone other than an authorized service center.
5. Damage to products or parts caused by misuse, including, without limitation, misapplication or negligence of the terms of service instruction.
6. Power supply units, chargers, accessories, wearing parts.
7. Products, damaged from mishandling, faulty adjustment, maintenance with low-quality and non-standard materials, presence of any liquids and foreign objects inside the product.
8. Acts of God and/or actions of third persons.
9. In case of unwarranted repair till the end of warranty period because of damages during the operation of the product, its transportation and storing, warranty doesn't resume.

WARRANTY CARD

Name and model of the product _____

Serial number _____ date of sale _____

Name of commercial organization _____ stamp of commercial organization

Warranty period for the instrument exploitation is 24 months after the date of original retail purchase.

During this warranty period the owner of the product has the right for free repair of his instrument in case of manufacturing defects.

Warranty is valid only with original warranty card, fully and clear filled (stamp or mark of the seller is obligatory).

Technical examination of instruments for fault identification which is under the warranty, is made only in the authorized service center.

In no event shall manufacturer be liable before the client for direct or consequential damages, loss of profit or any other damage which occur in the result of the instrument outage.

The product is received in the state of operability, without any visible damages, in full completeness. It is tested in my presence. I have no complaints to the product quality. I am familiar with the conditions of warranty service and I agree.

purchaser signature _____

Before operating you should read service instruction!

If you have any questions about the warranty service and technical support contact seller of this product

Certificate of acceptance and sale

_____ **No** _____

name and model of the instrument

Corresponds to _____

designation of standard and technical requirements

Data of issue _____

Stamp of quality control department

Price

Sold _____ Date of sale _____

name of commercial establishment

**ADA
MEASUREMENT FOUNDATION**

WWW.ADAINSTRUMENTS.COM

Руководство по эксплуатации

Толщиномер покрытий

Модель: ZCT 888



Содержание

1. Общая информация	23
Функции	23
Применение	23
Описание	24
Комплектация	24
Датчик	24
Характеристики	25
Устройство	26
LCD дисплей	27
2. Готовность к работе	28
3. Установки	29
4. Ошибки	34
5. Гарантия	35
6. Освобождение от ответственности	35

Приложение 1: Гарантийный талон

Приложение 2: Свидетельство о приемке и продаже

1. Общая информация

В зависимости от типа датчика, толщиномер работает либо по принципу магнитной индукции, либо по принципу вихревых токов. С помощью МЕНЮ вы можете выбрать вид датчика или прибор выберет его автоматически.

Функции

Измеряемые покрытия: немагнитные покрытия (например, краска, цинк) на стали; изолирующие покрытия (например, анодированные покрытия) на цветных металлах.

Функции: - работа через МЕНЮ

- память на 2500 измерений
- удаление одного измерения или группы измерений
- индикация ошибки
- передача данных на ПК с помощью Bluetooth
- отключение функции автоматического отключения через установку в МЕНЮ.

Применение

Толщиномер предназначен для работы в лабораториях, мастерских, в химической, автомобильной, судостроительной и авиационной промышленности.

Универсальный датчик толщиномера работает по двум принципам: магнитная индукция и вихревой поток. Он предназначен для измерения покрытий на черных и цветных металлах.

Описание

Толщиномер позволяет измерять толщину покрытий как на магнитных, так и на немагнитных металлических основаниях. В зависимости от вида датчика толщиномер может работать по принципу магнитной индукции или по принципу вихревого тока. При вихревом методе контроля генерируется внешнее электромагнитное поле, которое наводит вихревые токи в объекте контроля. Анализ взаимодействия внешнего и наведенного полей позволяет получить информацию о толщине.

Измеренные значения и информация для пользователя отображаются на дисплее. Благодаря подсветке, вы можете прочитать данные при плохом освещении.

Комплектация

Толщиномер, батареи 2xAAA 1.5V, пластиковый кейс для транспортировки, инструкция по применению, стальной и алюминиевый образцы, стандартные пластинки для калибровки. Производитель оставляет за собой право вносить изменения в комплектацию без предварительного уведомления.

Датчик

Измерительный датчик расположен в нижней части прибора. Благодаря такой конструкции, проведение измерений удобно и пользователь легко добивается устойчивого положения толщиномера и постоянного давления в области контакта. V-образная форма прибора облегчает измерения на небольших и цилиндрических частях. Полусферический наконечник датчика сделан из твердого, высокопрочного материала.

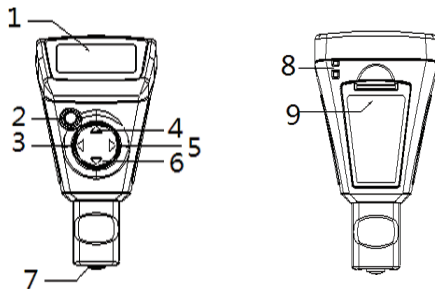
Характеристики

Датчик	F	N
Принцип измерения	магнитная индукция	вихревой ток
Диапазон измерения	0~2000μm (мкм) 0~78.7mils	0~2000μm (мкм) 0~78.7mils
Точность	0 ~ 1000 um (±2%±2um) 1000~ 2000 um (±3.5%) 0~39.3mils(±2%±0.08 mils) 39.3~78.7mils(±3.5)	0 ~ 1000 um (±2%±2um) 1000~ 2000 um (±3.5%) 0~39.3mils(±2%±0.08 mils) 39.3~78.7mils(±3.5)
Разрешение	0~100um (0.1um) 100um~1000um(1um) 1000um~2000um(0.01mm) 0~10mils(0.01 mils) 10~78.7mils(0.1 mils)	0~100um (0.1um) 100um~1000um(1um) 1000um~2000um(0.01mm) 0~10mils(0.01 mils) 10~78.7mils(0.1 mils)
Минимальный радиус закругления поверхности	1.5 мм	3 мм
Диаметр минимальной площади поверхности	7 мм	5 мм

Минимальная толщина основания	0.5 мм	0.3 мм
Рабочая температура	0°C~40°C(32°F~104°F)	
Рабочая влажность	20%~90%	

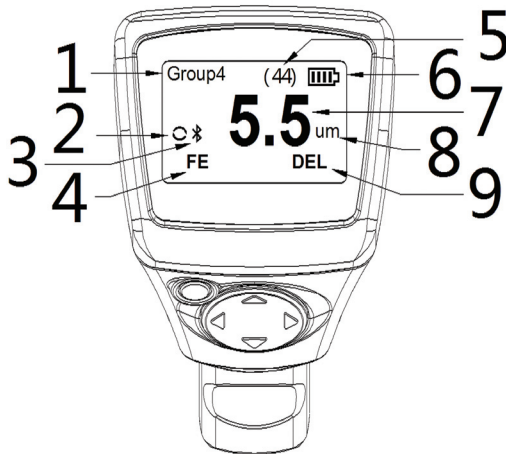
Устройство

- 1) LCD дисплей
- 2) Кнопка ВКЛ/ВЫКЛ
- 3) Левая клавиша: Кнопка выбора и подтверждения
- 4) Верхняя клавиша: Для выбора вверх и переключение режимов работы
- 5) Правая клавиша: Для возврата или удаления последнего измерения
- 6) Клавиша вниз: Для выбора вниз или переключение рабочего режима
- 7) Датчик
- 8) Место крепления ремешка
- 9) Крышка батарейного отсека




LCD дисплей

- 1) Номер группы измерений
- 2) Автоматический режим измерения (выбор датчика)
- 3) Индикация включения Bluetooth
- 4) Индикация измерений на цветных (ЦМ) или на черных (ЧМ) металлах. Она будет автоматически меняться в автоматическом режиме измерения.
- 5) Количество измеренных данных в группе
- 6) Индикация заряда батареи
- 7) Данные измерения
- 8) Единицы измерения
- 9) Удаление данных. Нажмите на правую кнопку чтобы удалить текущие данные.



2. Готовность к работе

Источник питания

Для включения прибора нажмите и удерживайте кнопку . Если дисплей не включается, проверьте правильно ли вставлены батареи или уровень заряда батарей низкий.

: Замените батареи

Важно: при низком заряде батареи, прибор может делать ошибочные измерения.

Важно: При включении питания, держите прибор над металлическими объектами на расстоянии 10 см. Перед каждым измерением рекомендуется проводить калибровку нуля.

Замена батарей

Выключите прибор. Откройте крышку батарейного отсека. Выньте старую батарею и вставьте новую. Закройте крышку батарейного отсека.

Внимание: Соблюдайте полярность

Меню и Установки

Нажмите на кнопку , чтобы включить прибор; Прибор начнет работать в режим измерения. Нажмите на клавишу влево, чтобы войти в режим МЕНЮ.

(1) ВЫБОР ГРУППЫ ИЗМЕРЕНИЯ

Режим работы: в данном приборе можно сохранять данные в 51 рабочей группе.

Данные измерения не будут сохраняться в режиме измерения Группа0. В остальных 50 группах — данные измерения сохраняются.

- A: нажмите на левую кнопку чтобы войти в меню
- B: Нажмите на кнопку Вверх/вниз чтобы выбрать Выбор групп.
- C: Нажмите на левую кнопку чтобы войти в этот режим.
- D: Нажмите на кнопку вверх/вниз, чтобы выбрать группу.
- E: Нажмите левую кнопку чтобы подтвердить выбор.

(2) ВЫБОР РЕЖИМА ИЗМЕРЕНИЯ (Датчик)

Датчик может работать в трех режимах:

АВТО: датчик автоматически выбирает режим работы. Если вам надо измерить стальную поверхность, датчик будет работать по принципу магнитной индукции. Если вы работаете с цветными металлами, датчик будет работать по принципу вихревого тока.

ЧМ: Датчик работает по принципу магнитной индукции.

ЦМ: Датчик работает по принципу вихревого тока.

- A: нажмите на левую кнопку чтобы войти в меню.
- B: нажмите на кнопку вверх/вниз, чтобы выбрать Режим измерений.
- C: нажмите на левую кнопку чтобы войти в Режим измерений.
- D: нажмите на кнопку вверх/вниз чтобы выбрать режим работы датчика.
- E: нажмите на левую кнопку для подтверждения.

3. Установки

Установка единиц измерения

Выбор единицы измерения.

- A: Нажмите на левую кнопку чтобы войти в меню
- B: Нажмите на кнопку вверх/вниз чтобы выбрать установки Уст
- C: Нажмите на левую кнопку чтобы войти в установки
- D: Нажмите на кнопку вверх/вниз чтобы выбрать единицу измерения Ед.
- E: Нажмите левую кнопку для входа
- F: Нажмите кнопку вверх/вниз для выбора μm (мкм) или mil
- G: Нажмите левую кнопку для подтверждения

Установка подсветки

Настройка яркости подсветки.

- A: нажмите на левую кнопку чтобы войти в меню
- B: нажмите на кнопку вверх/вниз чтобы выбрать установки Уст
- C: нажмите на левую кнопку чтобы войти в установки
- D: нажмите на кнопку вверх/вниз чтобы выбрать Подсветка
- E: Нажмите на левую кнопку чтобы войти
- F: Нажмите на кнопку вверх/вниз чтобы настроить яркость подсветки
- G: Нажмите на правую кнопку чтобы возвратиться в меню

Автоматическое отключение

Прибор автоматически отключится через 10 мин бездействия. Вы можете отключить автоматическое отключение через МЕНЮ.

- A: Нажмите левую кнопку чтобы войти в меню.
- B: Нажмите на кнопку вверх/вниз чтобы выбрать установки Уст

- C: Нажмите на левую кнопку чтобы войти в установки
- D: Нажмите на кнопку вверх/вниз чтобы выбрать автоматическое отключение АВТОВЫКЛ
- E: Нажмите левую кнопку чтобы войти
- F: Нажмите кнопку вверх/вниз для выбора
- G: Нажмите левую кнопку для подтверждения

Включение/выключение Bluetooth

Включите Bluetooth. Теперь вы можете передавать данные на ПК, телефон или другое устройство, принимающее по Bluetooth. При включении Bluetooth, данные об измерении будут автоматически передаваться по каналу Bluetooth. Вы можете загрузить данные об измерении через ПО на ПК. **Важно:** при включенном Bluetooth, батарея быстро садится. Включайте Bluetooth только по необходимости. Когда установится первое соединение между устройством и ПК, на дисплее может отобразиться просьба о подтверждении Pin-code. В этом случае введите 0000 на вашем ПК.

- A: Нажмите левую кнопку чтобы войти в меню
- B: Нажмите кнопку вверх/вниз чтобы выбрать установку Уст
- C: Нажмите левую кнопку чтобы войти в установку
- D: нажмите кнопку вверх/вниз чтобы выбрать Bluetooth
- E: Нажмите левую кнопку чтобы войти
- F: Нажмите кнопку вверх/вниз для выбора
- G: Нажмите левую кнопку для подтверждения

Настройка контраста

- A: Нажмите на левую кнопку, чтобы войти в меню

- V: Нажмите кнопку вверх/вниз чтобы выбрать установки Уст
- C: Нажмите левую кнопку чтобы войти в установки
- D: Нажмите кнопку вверх/вниз чтобы выбрать Контраст
- E: Нажмите левую кнопку чтобы войти
- F: Нажмите кнопку вверх/вниз чтобы настроить контраст
- G: Нажмите левую кнопку для подтверждения

Информация по системе

Отображение номера системной версии и серийного номера прибора.

- A: Нажмите на левую кнопку чтобы войти в меню
- V: Нажмите на кнопку вверх/вниз чтобы выбрать установки Уст
- C: Нажмите на левую кнопку чтобы войти в установки
- D: Нажмите на кнопку вверх/вниз чтобы выбрать информацию Инфо
- E: Нажмите левую кнопку чтобы войти
- F: Просмотр системной информации. Для возврата нажмите на правую кнопку.

Обзор данных

Вы можете посмотреть сохраненные данные об измерении в каждом режиме.

Удл. Все: Удаляет все измеренные данные в группе.

- A: Нажмите на левую кнопку чтобы войти в меню
- V: Нажмите кнопку вверх/вниз чтобы выбрать Память
- C: Нажмите левую кнопку чтобы войти в обзор
- D: Нажмите на кнопку вверх/вниз чтобы выбрать группу измерений Груп. X

- E: Нажмите левую кнопку чтобы войти
- F: Нажмите кнопку вверх/вниз чтобы увидеть данные
- G: Нажмите правую кнопку для возврата или нажмите левую кнопку чтобы удалить эту группу данных.

Калибровка и измерение

У прибора есть калибровка нуля цветного или не цветного металла, удаление ошибочной калибровки нуля цветного или не цветного металла. Перед использованием проведите калибровку нуля.

Калибровка нуля цветного или не цветного металла.

- A: Нажмите на левую кнопку чтобы войти в меню
- B: Нажмите на кнопку вверх/вниз чтобы выбрать калибровку Калибровка
- C: Нажмите на левую кнопку для входа в режим калибровки
- D: Нажмите кнопку вверх/вниз чтобы выбрать калибровку нуля цветного (ЦМ) или не цветного (ЧМ) металла.
- E. Нажмите левую кнопку чтобы войти
- F: Нажмите правую кнопку чтобы вернуться на дисплей измерения
- G: Измерьте металлический образец для режима калибровки 0 ЧМ или алюминиевый образец для режима калибровки 0 ЦМ. (можно измерять много раз, последнее измерение результативное).
- H: Нажмите левую кнопку чтобы подтвердить калибровку.

Удаление нуля цветного и не цветного металла

- A: Нажмите левую кнопку чтобы войти в меню
- B: Нажмите кнопку вверх/вниз чтобы выбрать калибровку

C: Нажмите левую кнопку чтобы войти в калибровку

D: Нажмите кнопку вверх/вниз чтобы удалить точку нуля цветного или не цветного металла.

E: Нажмите левую кнопку для подтверждения

F: Нажмите правую кнопку для возврата

Удаление

Удаление данных:

- удаление текущих данных: в режиме измерения вы можете удалить последнее измерение, нажав правую кнопку Удл.

- удаление всех данных: войдите в меню-память; вы можете удалить все данные и статистику текущих данных.

- удаление группы данных: войдите в меню-память-группа данных. Вы можете удалить эту группу данных, нажав на левую кнопку.

4. Ошибки

Во время работы могут возникать ошибки: Err

Err1: ЧМ датчик

Err2: ЦМ датчик

Err3: Оба датчика

Err4: ЧМ датчик

Err5: ЦМ датчик

Гарантия

Производитель предоставляет гарантию на продукцию покупателю в случае дефектов материала или качества его изготовления во время использования оборудования с соблюдением инструкции пользователя на срок до 2 лет со дня покупки. Во время гарантийного срока, при предъявлении доказательства покупки, прибор будет починен или заменен на такую же или аналогичную модель бесплатно. Гарантийные обязательства также распространяются и на запасные части.

В случае дефекта, пожалуйста, свяжитесь с дилером, у которого вы приобрели прибор. Гарантия не распространяется на продукт, если повреждения возникли в результате деформации, неправильного использования или ненадлежащего обращения.

Все вышеизложенные безо всяких ограничений причины, а также утечка батареи, деформация прибора являются дефектами, которые возникли в результате неправильного использования или плохого обращения.

Освобождение от ответственности

Пользователю данного продукта необходимо следовать инструкциям, которые приведены в руководстве по эксплуатации. Даже, несмотря на то, что все приборы проверены производителем, пользователь должен проверять точность прибора и его работу.

Производитель или его представители не несут ответственности за прямые или косвенные убытки, упущенную выгоду или иной ущерб, возникший в результате неправильного обращения с прибором.

Производитель или его представители не несут ответственности за косвенные убытки, упущенную выгоду, возникшие в результате катастроф (землетрясение, шторм, наводнение и т.д.), пожара, несчастных случаев, действия третьих лиц и/или использование прибора в необычных условиях.

Производитель или его представители не несут ответственности за косвенные убытки, упущенную выгоду, возникшие в результате изменения данных, потери данных и временной приостановки бизнеса и т.д., вызванных применением прибора.

Производитель или его представители не несут ответственности за косвенные убытки, упущенную выгоду, возникшие в результате использования прибора не по инструкции.

ГАРАНТИЙНЫЕ ОБЯЗАТЕЛЬСТВА НЕ РАСПРОСТРАНЯЮТСЯ НА СЛЕДУЮЩИЕ СЛУЧАИ:

1. Если будет изменен, стерт, удален или будет неразборчив типовой или серийный номер на изделии;
2. Периодическое обслуживание и ремонт или замену запчастей в связи с их нормальным износом;
3. Любые адаптации и изменения с целью усовершенствования и расширения обычной сферы применения изделия, указанной в инструкции по эксплуатации, без предварительного письменного соглашения специалиста поставщика;
4. Ремонт, произведенный не уполномоченным на то сервисным центром;
5. Ущерб в результате неправильной эксплуатации, включая, но не ограничиваясь этим, следующее: использование изделия не по назначению или не в соответствии с инструкцией по эксплуатации на прибор;
6. На элементы питания, зарядные устройства, комплектующие, быстроизнашивающиеся и запасные части;
7. Изделия, поврежденные в результате небрежного отношения, неправильной регулировки, ненадлежащего технического обслуживания с применением некачественных и нестандартных расходных материалов, попадания жидкостей и посторонних предметов внутрь.
8. Воздействие факторов непреодолимой силы и/или действие третьих лиц;
9. В случае негарантийного ремонта прибора до окончания гарантийного срока, произошедшего по причине полученных повреждений в ходе эксплуатации, транспортировки или хранения, и не возобновляется.

ГАРАНТИЙНЫЙ ТАЛОН

Наименование изделия и модель _____

Серийный номер _____ Дата продажи _____

Наименование торговой организации _____ Штамп торговой организации мп.

Гарантийный срок эксплуатации приборов составляет 24 месяца со дня продажи.

В течении гарантийного срока владелец имеет право на бесплатный ремонт изделия по неисправностям, являющимся следствием производственных дефектов.

Гарантийные обязательства действительны только по предъявлении оригинального талона, заполненного полностью и четко (наличие печати и штампа с наименованием и формой собственности продавца обязательно).

Техническое освидетельствование приборов (дефектация) на предмет установления гарантийного случая производится только в авторизованной мастерской.

Производитель не несет ответственности перед клиентом за прямые или косвенные убытки, упущенную выгоду или иной ущерб, возникшие в результате выхода из строя приобретенного оборудования.

Правовой основой настоящих гарантийных обязательств является действующее законодательство, в частности, Федеральный закон РФ “О защите прав потребителя” и Гражданский кодекс РФ ч.II ст. 454-491.

Товар получен в исправном состоянии, без видимых повреждений, в полной комплектности, проверен в моем присутствии, претензий по качеству товара не имею. С условиями гарантийного обслуживания ознакомлен и согласен.

Подпись получателя _____

Перед началом эксплуатации внимательно ознакомьтесь с инструкцией по эксплуатации!

СВИДЕТЕЛЬСТВО О ПРИЕМКЕ И ПРОДАЖЕ

№ _____

НАИМЕНОВАНИЕ И ТИП ПРИБОРА

Соответствует _____
обозначение стандарта и технических условий

Дата выпуска _____

Штамп ОТК (клеймо приемщика)

Цена

Продан(а) _____ Дата продажи _____

**ADA
MEASUREMENT FOUNDATION**

WWW.ADAINSTRUMENTS.COM