

Operating manual
Ground drill
Model: GroundDrill - 12



Table of contents

1. Introduction	3
2. Precautions.....	3
3. Features.....	5
4. Specifications.....	6
5. Preparation before operation.....	6
6. Operation	8
7. Stopping.....	9
8. Daily maintenance	9
9. Long term storage.....	12
10. Warranty	13
11. Exceptions from responsibility	13

Appendix 1. “Warranty card”.

Appendix 2. “Certificate of acceptance and sale”.

1. Introduction

Power auger Ground Drill 12 is used for work with two operators. During operation seizure of the auger may occur and the equipment may rotate in reverse. That's why both operators must be very careful during operation and know and follow all precautions and possible risks. Return stroke is partly reduced by the power auger structure. You should know how to use the instrument to avoid damages.

2. Precautions

Wear a long-sleeved shirt and long pants closed at the cuff.

Do not wear neck-tie or other loosely dangling garments. Such articles may become entangled in the drill when working.

Wear protective goggles.

Wear helmet when working.

Wear work shoes equipped with no-slip tread.

Wear ear plugs to protect the ear drum from noise.

Do not work for long periods of time in summer and winter. Take breaks frequently.

Do not use the auger in the rain. The possibility of your slipping is increased when the ground is wet.

Do not use the auger indoors or in poorly ventilated places.

Do not smoke in the vicinity of the auger. This equipment runs on gasoline. Keep the equipment from flames and sparks.

Do not remove the gas cap or refuel while the engine is running or hot.

Wipe the auger body of any spilled gasoline after refueling.

Store fuel in approved containers and keep in a cool place.

CHECK BEFORE START-UP

Check all bolts and nuts are securely tight. Tighten where necessary.

Check the cutting blades to avoid chipping, cracking or bending. NEVER use a drill when damaged.

CAUTIONS DURING USAGE

Do not allow other persons within 5 meters of the worksite. IT IS DANGEROUS for pets and children to be near the equipment when operating.

Be careful when drilling through rocky ground. This equipment may rotate in reverse and damage.

Work only in a stable position.

Be sure to stop the engine before allowing persons to approach within 5 m of the equipment.

Do not allow children or anyone who is unskilled in equipment usage to operate the equipment.

Never touch the drill bit when the engine is running. Be sure the engine is off and the drill has stopped rotating before handling.

Beware of the rotating drill bit.

Be sure the drill bit has stopped moving before placing on the ground.

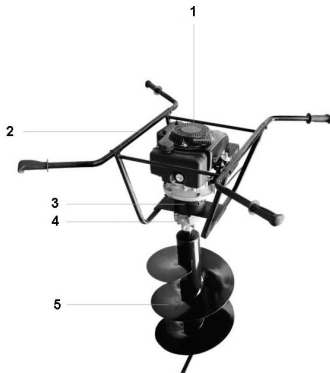
When deep drilling, do not attempt to complete work in one stretch. Extract soil in 2 or 3 steps.

Before servicing the auger or making repairs, always stop the engine, remove the plug cap from the spark plug and allow the engine to cool down.

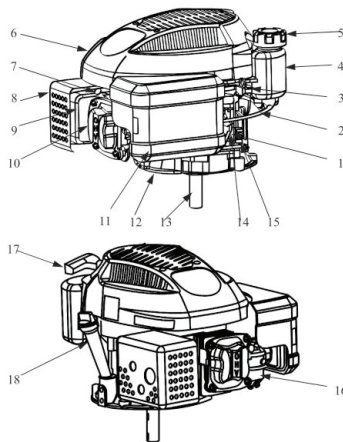
Before storing the auger drain all remaining fuel and wipe the equipment clean of dirt and debris.

NEVER store the auger near live flames.

3. Features



1. Engine
2. Handle
3. Frame
4. Reduction gear
5. Drill



1. Throttle lever
2. Fuel line
3. Check button
4. Fuel tank
5. Fuel tank cap
6. Return mechanism of the starter line
7. Spark plug
8. Muffler protector
9. Muffler
10. Cylinder head
11. Air filter
12. Case cap
13. Driving shaft
14. Crank case of the engine
15. Bracket of the throttle cable
16. Carburetor
17. Starter handle
18. Oil filler cap

4. Specifications

Engine type	4 stroke, air-cooled
Air-fuel mixture	unleaded gasoline with a minimum of 92 octane
Displacement	159 cc
Ignition	TCI
Power	5.5 HP / 3600 rpm
Carburetor	Diaphragmtype
Fuel tank capacity	1,0 L
Oil capacity in the engine	0,6 L
Max rotational moment	7,5 Nm / 2800 rpm
Weight	23,5 kg

5. Preparation before operation

Set handles on the frame of the auger: handle with throttle lever arm should be at the left of the fuel tank. Screw bolts into the holes of the handles and frame and tighten. Tighten with the help of the instrument that comes with the equipment.

CHOKER CABLE CONNECTION

Connect cable of the choker to the control lever.

WIRING LEADS

Connect leads (x2) between engine and button of turning off the ignition. Make sure colors match and connections are securely tight.

CONNECTION OF THE AUGER TO THE REDUCTION GEAR

Match power shaft of the reduction gear and drill shank. Place power shaft into the shank. Fix the connection with the bolt.

AUGER CHECKUP

1. Check parts are not loose nor missing. This goes especially for the spark plug.
2. Check the air intake and outlet for clogging.
3. The auger uses an air-cooled engine. If the air passage is blocked, the engine may overheat.
4. Check the air filter for dirt. A dirty air cleaner will cause the auger to burn excess fuel.
5. Check the spark plug for spark.

ENGINE OIL

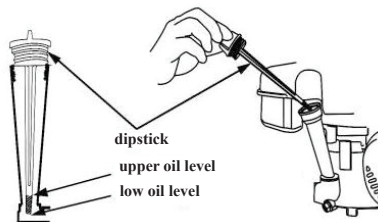
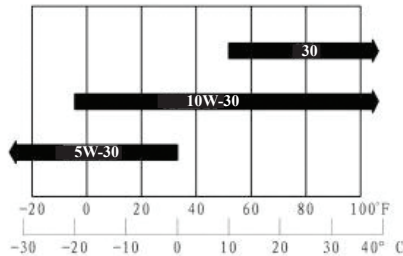
Caution: Oil is a major factor affecting performance and service life. Use detergent oil. It's not recommended to use vegetable-based fluid. Check the engine oil level with the engine stopped and in a level position.

Note: SAE 10W-30 is recommended for general use. Use oil SAE Synthetic 5W-30 when the average temperature in your area is within the recommended range.

Check the engine with the engine stopped and in a level position.

1. Remove the oil filler cap/dipstick and wipe it clean.
2. Insert the oil filler cap/dipstick into the oil filler neck as shown, but do not screw it in, then remove it to check the oil level.
3. If the oil level is near or below the lower limit mark on the dipstick.

Note: Don't start engine if the oil level is below the lower limit mark. It can damage the engine.



FUEL

1. Remove the fuel tank cap and check fuel lever. If necessary add some fuel.
2. Use only motor gasoline (with a minimum of 92 octane or unleaded or low leaded gasoline). Never use mixture of oil-fuel or sour gasoline. Avoid getting dirt or water in the fuel tank.

STARTING ENGINE

1. Turn main switch to ON
2. Move choke lever to the position “4” for cold starts to block air flow to carburetor
3. Pump primer ball near the air filter several times
4. Grasp handle of pull start chord and pull quickly
5. Move choke lever to the position “2” when the engine warms.

6. Operation

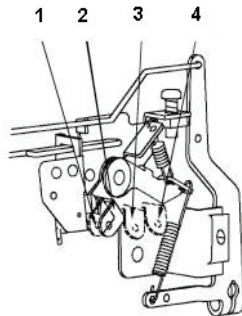
1. Let engine warm for at least 1 min.
2. Press or release throttle lever to get desired rpms. If the engine reduce rpms on load, adjust the position of throttle lever.

Important!

Do not work without workmate. Otherwise it can lead to the damages.

Avoid running at high rpms for long periods. The unit needs time for lubricant to get to all internal parts.

Do not run the motor at high rpms without load.



Position of choke lever:

1. Stop
2. Idling
3. Fast
4. High rpm

7. Stopping

1. Release throttle to idle speed.
2. Move main switch on/off to OFF.

Note: When storing for long periods, remove all fuel from the gas tank. Do not leave the gas tank at an angle. The pressure inside the tank can cause the gas to spill out. The working parts of the engine can get very hot.

8. Daily maintenance

Make sure the engine is off before you begin any maintenance or repairs. To prevent accidental engine start disconnect spark plug cap.
Note: Check and adjust regularly the engine if you want to achieve high performance of it. Regularly maintenance extends engine life. In the table below there is a maintenance schedule with regular service periods.

Elements to checkup/ period		Before each use	First month or 5 Hrs.	Every 3 months or 25 Hrs.	Every 3 months or 50 Hrs.	Every 100 Hrs.
Oil	check	*				
	change		*			
Air filter	check	*				
	clean			*	*	*
Spark plug	check - clean					*
Fuel tank and filter	clean					*
Fuel line	check	Every 2 years (Replace if necessary)				

Note:

- (1) Clean more often under dusty conditions or when airborne debris is present.
- (2) Change engine oil every 25 hours when used under heavy load or in high ambient temperatures.

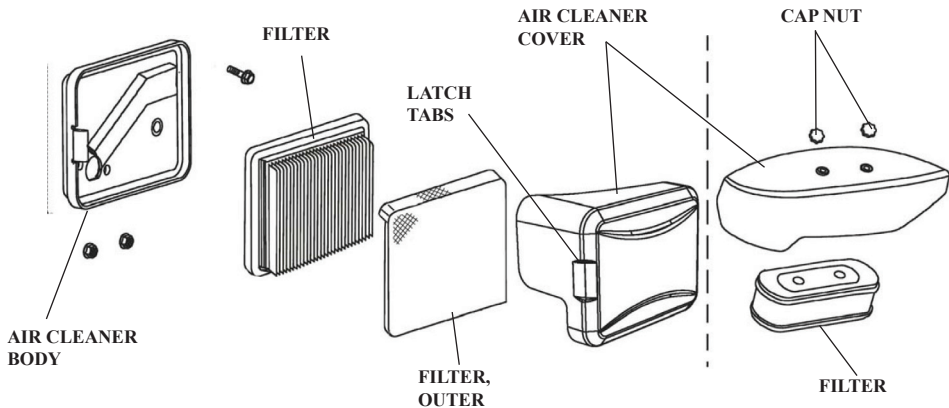
CHANGE ENGINE OIL

1. Drain the used oil while the engine is warm.
2. Remove the filler cap/dipstick, the drain bolt and sealing washer. Drain oil.
3. Reinstall the drain bolt and sealing washer, and tighten it securely.
4. With the engine in a level position, fill to the upper limit mark on the dipstick with the recommended oil. Check the oil level.
5. Reinstall the oil filler cap/dipstick securely.

MAINTENANCE OF AIR FILTER

A dirty air filter will restrict air flow to the carburetor, reducing engine performance. If you operate the engine in very dusty areas, clean the air filter more often than specified in the maintenance schedule.

Caution: Never use gasoline or other solvents to clean air filter. Ignition could result. Operating the engine without an air filter, or with a damaged air filter, will allow dirt to enter the engine, causing rapid engine wear.



FUEL FILTER CLEANING

Caution: Gasoline and its vapors are extremely flammable and explosive. Fire or explosion can cause severe burns or death. Don't smoke on the worksite. Keep gasoline away from sparks, open flames, pilot lights, heat, and other ignition sources.

1. Remove fuel filter and fuel line.
2. Clean fuel filter (remove dirt from the grid of the filter and check the grid for damages).

SPARK PLUG SERVICE

Recommended spark plugs: F7RTC or other equivalents.

Caution: An incorrect spark plug can cause engine damage. Install spark plug with correct electrode gap. Avoid thin coating on it.

1. Remove the spark plug with a spark plug wrench.

Caution: Muffler is very hot during engine running. Be careful, don't touch it until it gets cold.

2. Inspect the spark plug.

3. Replace it if the electrodes are worn, or if the insulator is cracked or chipped.

4. Measure the spark plug electrode gap with a suitable gauge. The gap should be 0.70 - 0.80 mm. Correct the gap, if necessary, by carefully bending the side electrode.

5. Install the spark plug carefully, by hand, to avoid cross-threading. Tighten the spark plug with a spark plug wrench.

Note: If installing a new spark plug, tighten 1/2 turn after the spark plug seats. If reinstalling the used spark plug, tighten 1/8 - 1/4 turn after the spark plug seats.

Caution: A loose spark plug can overheat and damage the engine. Over tightening the spark plug can damage the threads in the cylinder head.

9. Long term storage

When storing for more than a month:

1. Remove a fuel from tank.

2. Run engine until it runs out of fuel.

3. Clean the inside of fuel tank and fuel filter with clean gasoline.

4. Remove the spark plug and put small amount of clean motor oil in the spark plug oil.

5. Pull the starter about 2 or 3 times, then stop pulling when the piston is at the top. Replace the plug.

6. Clean the external part of the motor with a cloth soaked in oil.

7. Store the motor in a dry place away from fire and heat.

Warranty

This product is warranted by the manufacturer to the original purchaser to be free from defects in material and workmanship under normal use for a period of two (2) years from the date of purchase.

During the warranty period, and upon proof of purchase, the product will be repaired or replaced (with the same or similar model at manufacturer's option), without charge for either parts or labour.

In case of a defect please contact the dealer where you originally purchased this product. The warranty will not apply to this product if it has been misused, abused or altered. Without limiting the foregoing, leakage of the battery, bending or dropping the unit are presumed to be defects resulting from misuse or abuse.

Exceptions from responsibility

The user of this product is expected to follow the instructions given in operators' manual.

Although all instruments left our warehouse in perfect condition and adjustment the user is expected to carry out periodic checks of the product's accuracy and general performance.

The manufacturer, or its representatives, assumes no responsibility of results of a faulty or intentional usage or misuse including any direct, indirect, consequential damage, and loss of profits.

The manufacturer, or its representatives, assumes no responsibility for consequential damage, and loss of profits by any disaster (earthquake, storm, flood ...), fire, accident, or an act of a third party and/or a usage in other than usual conditions.

The manufacturer, or its representatives, assumes no responsibility for any damage, and loss of profits due to a change of data, loss of data and interruption of business etc., caused by using the product or an unusable product.

The manufacturer, or its representatives, assumes no responsibility for any damage, and loss of profits caused by usage other than explained in the users' manual.

The manufacturer, or its representatives, assumes no responsibility for damage caused by wrong movement or action due to connecting with other products.

WARRANTY DOESN'T EXTEND TO FOLLOWING CASES:

1. If the standard or serial product number will be changed, erased, removed or will be unreadable.
2. Periodic maintenance, repair or changing parts as a result of their normal runout.
3. All adaptations and modifications with the purpose of improvement and expansion of normal sphere of product application, mentioned in the service instruction, without tentative written agreement of the expert provider.
4. Service by anyone other than an authorized service center.
5. Damage to products or parts caused by misuse, including, without limitation, misapplication or negligence of the terms of service instruction.
6. Power supply units, chargers, accessories, wearing parts.
7. Products, damaged from mishandling, faulty adjustment, maintenance with low-quality and non-standard materials, presence of any liquids and foreign objects inside the product.
8. Acts of God and/or actions of third persons.
9. In case of unwarranted repair till the end of warranty period because of damages during the operation of the product, its transportation and storing, warranty doesn't resume.

For more information you can visit our website WWW.ADAINSTRUMENTS.COM
or write the letter with your questions on info@adainstruments.com

WARRANTY CARD

Name and model of the product _____

Serial number _____ date of sale _____

Name of commercial organization _____ stamp of commercial organization

Warranty period for the instrument exploitation is 24 months after the date of original retail purchase. It extends to the equipment, imported on the RF territory by official importer.

During this warranty period the owner of the product has the right for free repair of his instrument in case of manufacturing defects.

Warranty is valid only with original warranty card, fully and clear filled (stamp or mark of the seller is obligatory).

Technical examination of instruments for fault identification which is under the warranty, is made only in the authorized service center.

In no event shall manufacturer be liable before the client for direct or consequential damages, loss of profit or any other damage which occur in the result of the instrument outage.

The product is received in the state of operability, without any visible damages, in full completeness. It is tested in my presence. I have no complaints to the product quality. I am familiar with the conditions of warranty service and I agree.

purchaser signature _____

Before operating you should read service instruction!

If you have any questions about the warranty service and technical support contact seller of this product

Certificate of acceptance and sale

_____ **No** _____
name and model of the instrument

Corresponds to _____
designation of standard and technical requirements

Data of issue _____

Stamp of quality control department

Price

Sold _____ Date of sale _____
name of commercial establishment

Руководство по эксплуатации

Мотобур

Модель: Ground Drill - 12



RUS

Содержание

1. Введение.....	19
2. Инструкция по безопасности	19
3. Техническое описание	21
4. Технические характеристики	22
5. Подготовка к работе	22
6. Работа	25
7. Конец работы.....	25
8. Ежедневное техобслуживание	25
9. Подготовка к консервации	29
10. Гарантия	30
11. Освобождение от ответственности	30

Приложение 1. “Гарантийный талон”.

Приложение 2. “Свидетельство о приемке и продаже”.

1. Введение

Мотобур Ground Drill 12 предназначен для работы с двумя операторами. При работе возможно заклинивание шнекового бура и обратный удар. Поэтому оба оператора должны быть внимательны во время работы и знать все правила безопасности и возможные риски. Обратный удар, возможный при сверлении, частично гасится конструкцией мотобура. Вы должны уметь использовать мотобур, чтобы избежать возможных травм.

2. Инструкция по безопасности

Надевайте одежду с длинными рукавами и длинные брюки с закрытыми отворотами.

Не надевайте галстук, шарфы, украшения или что-то подобное. Эти предметы могут намотаться на бур в процессе работы.

Используйте защитные очки.

Надевайте шлем во время работы.

Надевайте обувь с не скользящей подошвой.

Используйте защитные наушники для защиты от сильного шума.

Не работайте долгое время летом и зимой. Делайте перерывы в работе.

Не работайте в дождь. Так как поверхность земли влажная и вы можете подскользнуться.

Не работайте внутри помещения или в плохо проветриваемом помещении.

Не курите вблизи бура. Инструмент работает на бензине. Держите бур подальше от огня.

Не снимайте крышку топливного бака и не пытайтесь дозаправиться топливом, если бур работает или нагрет.

Если вы дозаправили бур, протрите поверхность от пролитого топлива.

Храните топливо во взрывобезопасных контейнерах в прохладном месте.

ПРОВЕРКА БУРА ПЕРЕД РАБОТОЙ

Проверьте все болты и гайки. Они должны быть плотно затянуты. При необходимости затяните болты.

Проверьте лезвие шнека на наличие изъянов, трещин, изгибов.
НИКОГДА не пользуйтесь буром, если лезвие шнека повреждено.

ПРЕДУПРЕЖДЕНИЯ ВО ВРЕМЯ ИСПОЛЬЗОВАНИЯ БУРА

Не позволяйте посторонним людям подходить менее, чем на 5м к рабочему месту. ОПАСНО для детей и животных находиться около инструмента во время его работы.

Будьте осторожны при работе на каменистом грунте. Шнек может заклинить и бур может вырваться из рук и причинить травмы.

При работе с буром операторы должны крепко стоять на ногах.

Заглушите двигатель, если к вам приближается посторонний человек.

Не позволяйте детям и не обученным людям работать с инструментом.

Не дотрагивайтесь до шнека при включенном двигателе. При транспортировке всегда выключайте двигатель и дождитесь, пока шнек прекратит вращение.

Во время вращения шнека находитеься на безопасном расстоянии от него.

Перед тем, как бур положить на землю, убедитесь, что шнек прекратил вращаться.

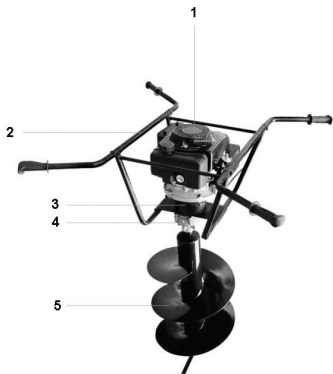
Если вам необходимо глубоко пробурить землю, не пытайтесь это сделать за один раз. Сделайте это за 2-3 попытки.

Во время технического обслуживания или замене частей, заглушите двигатель, снимите колпачок свечи зажигания и дайте двигателю охладиться.

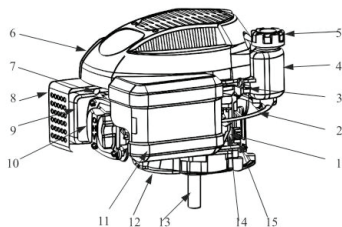
Храните инструмент в чистом виде. Промойте бур от остатков топлива.

НИКОГДА не храните бур около огня.

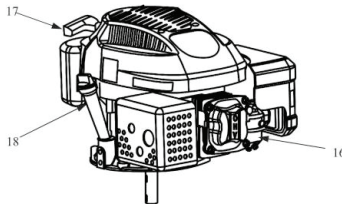
3. Техническое описание



1. Двигатель
2. Рукоятка
3. Рама
4. Редуктор
5. Винтовое сверло (шнек)



1. Рычаг дросселя
2. Топливопровод
3. Контрольная кнопка
4. Топливный бак
5. Крышка топливного бака
6. Возвратный механизм стартерного шнура
7. Свеча зажигания
8. Протектор глушителя
9. Глушитель
10. Крышка цилиндра
11. Воздушный фильтр
12. Крышка картера
13. Приводной вал
14. Картер двигателя в сборе
15. Кронштейн тросика газа
16. Карбюратор
17. Ручка стартера
18. Крышка маслозаливного отверстия / шуп



4. Технические характеристики

Тип двигателя	4-х тактный, возд. охлаждения
Объем двигателя	159 см ³
Топливная смесь	неэтилированный АИ-92
Зажигание	ТСИ
Мощность	5.5 л.с / 3600 об/мин
Карбюратор	тип перегородка
Объем топливного бака	1,0 л
Объем масла в двигателе	0,6 л
Максимальный крутящий момент	7,5 Нм / 2800 об/мин
Вес	23,5 кг

5. Подготовка к работе

Установите ручки на раму бура таким образом, что бы ручка с рычагом газа располагалась со стороны бензобака слева от него. Вкрутите винты в отверстия ручек и рамы и закрепите гайками. Затяните крепления инструментом из комплекта.

ПОДКЛЮЧЕНИЕ ТРОСИКА ДРОССЕЛЬНОЙ ЗАСЛОНКИ

Подсоедините тросик дроссельной заслонки к рычагу управления.

ПОДКЛЮЧЕНИЕ ЭЛЕКТРОПРОВОДКИ

Соедините электропроводку (x2) между двигателем и кнопкой выключения зажигания.

Убедитесь, что цвета совпадают и соединения электропроводки надежное.

ПОДСОЕДИНЕНИЕ ШНЕКА К РЕДУКТОРУ

Совместите приводной вал редуктора и хвостовик шнека. Вставьте вал в хвостовик. Зафиксируйте соединение болтом.

ПРОВЕРКА СОСТОЯНИЯ БУРА

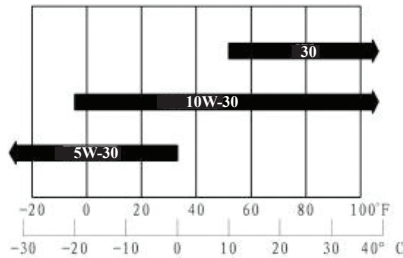
1. Осмотрите инструмент на наличие всех частей. Особенно это касается свечи зажигания.
2. Проверьте отсутствие загрязнений воздухозаборника и выхлопной трубы.
3. Мотобур работает на двигателе с воздушным охлаждением. Если воздухозаборник засорен, двигатель может перегреться.
4. Проверьте воздушный фильтр на наличие грязи. Если воздушный фильтр загрязнен, мотобур будет расходовать больше топлива.
5. Проверьте свечу зажигания на наличие искры.

УРОВЕНЬ МАСЛА В ДВИГАТЕЛЕ

Предупреждение: Моторное масло является основным фактором, влияющим на характеристики и ресурс работы двигателя. Масла, не обладающие моющими свойствами, и растительные масла применять не рекомендуется. Производить проверку уровня моторного масла в картере на ровной поверхности при неработающем двигателе.

Примечание: Для обычной работы в соответствующем температурном диапазоне рекомендуется применять масло SAE 10W-30. При низких температурах рекомендуется применять синтетическое масло SAE Synthetic 5W-30.

Осуществляйте проверку двигателя, только когда он выключен и находится на горизонтальной поверхности.



1. Открутите крышку масло – заливного отверстия картера и тщательно вытрите встроенный в нее щуп.
2. Не закручивая вставить щуп в заливную горловину масляного картера до упора.
3. Если уровень низкий, долить рекомендуемое масло до верхней риски на щупе.

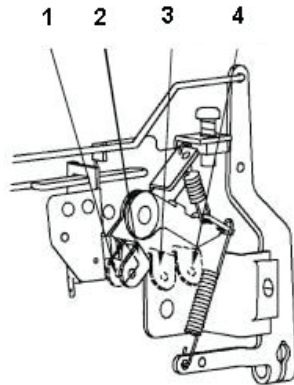
Примечание: Запуск двигателя при недостаточном количестве масла может привести к повреждению двигателя.

ТОПЛИВО

1. Выкрутите крышку топливного бака и проверьте уровень топлива в баке. Если уровень топлива в баке недостаточный, долейте топливо в бак.
2. Используйте только автомобильный бензин (предпочтительно бензин Аи-92 или неэтилированный или низкоэтилированный бензин, что сводит к минимуму образование нагара в камере сгорания). Никогда не используйте смесь масло-бензин или неочищенный бензин. Избегайте попадания в топливный бак грязи, пыли или воды.

ПУСК

1. Поверните переключатель зажигания в положение ON
2. Поверните рычаг дросселя в положение «4» (когда двигатель холодный), чтобы перекрыть поступления воздуха в карбюратор.
3. Несколько раз нажмите воздушную помпу для подкачки возле воздушного фильтра.
4. Возьмитесь за ручку ручного стартера и быстро потяните за нее.
5. Поверните рычаг дросселя «2», когда двигатель нагреется.



Положения дроссельного рычага:

1. Стоп
2. Холостой ход
3. Быстро
4. Высокие обороты

6. Работа

1. Дайте двигателю прогреться около 1 мин.
2. Нажимайте и отпускайте рукоятку дроссельной заслонки (рычаг газа) до достижения желаемых оборотов. Если двигатель снижает обороты под нагрузкой отрегулируйте положение рычага дросселя.

Важно!

Не работайте без напарника, так как это может привести к травмам.

Не работайте на высоких оборотах долгое время, так как инструменту нужно время, чтобы смазать все внутренние части.

Не работайте на высоких оборотах без нагрузки.

7. Конец работы

1. Отпустите ручку газа до скорости холостого хода.
2. Поверните переключатель в положение OFF.

Важно!

Мотобур следует хранить без топлива в топливном баке.

Бензобак не должен находиться в наклонном состоянии. В противном случае топливо может пролиться.

Работающие части двигателя могут быть очень горячими.

8. Ежедневное техобслуживание

Заглушите двигатель, прежде чем проводить какой-либо ремонт. Чтобы предотвратить случайное включение двигателя, отсоедините колпак свечи зажигания.

Примечание: Если Вы хотите добиться высокого уровня работы двигателя, важно периодически проводить его осмотр и регулировку. Регулярный техосмотр будет способствовать также увеличению срока эксплуатации двигателя.

В таблице технического обслуживания приводятся необходимые интервалы между осмотрами и техническим обслуживанием.

Проверяемые элементы / срок		При каждом включении	Первый месяц или через 5 часов	Каждый сезон или через 25 часов	Каждый сезон или через 50 часов	Каждые 100 часов
Масло	проверить	*				
	заменить		*			
Воздушный фильтр	проверить	*				
	почистить			*	*	*
Свеча зажигания	Проверить - прочистить					*
Топливный бак и фильтр	прочистить					*
Топливопровод	проверить	Каждые 2 года (замена в случае необходимости)				

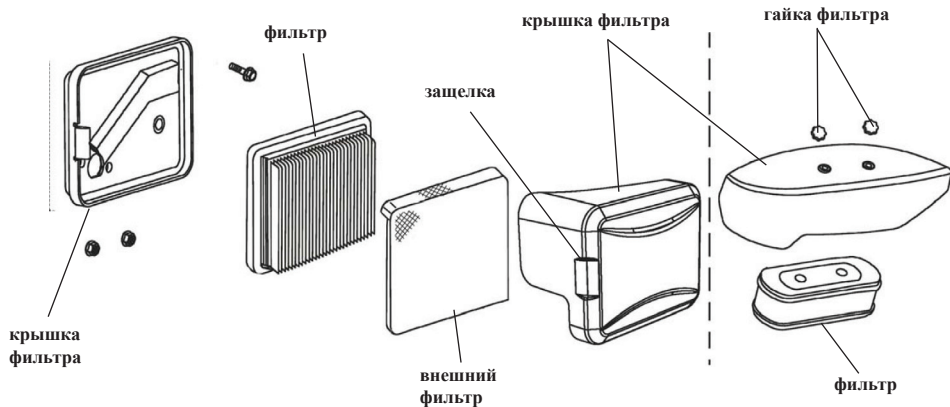
Примечание:

- (1) Осматривайте чаще, если используете двигатель в пыльных районах.
- (2) При использовании двигателя в режиме сильной нагрузки или при высокой окружающей температуре производите смену масла каждые 25 часов.

ЗАМЕНА МАСЛА

1. Сливайте масло из двигателя, пока он не остыл.
2. Выверните крышку маслозаливного отверстия и пробку, слейте масло.
3. Вновь установите пробку и тщательно ее затяните.
4. Наполните картер рекомендуемым видом масла и проверьте уровень масла.
5. Установите обратно крышку маслозаливного отверстия.

ТЕХНИЧЕСКОЕ ОБСЛУЖИВАНИЕ ВОЗДУШНОГО ФИЛЬТРА



Загрязненный фильтр затруднит приток воздуха в карбюратор. Во избежание неисправностей в работе карбюратора, регулярно чистите фильтр. Делайте это чаще, если двигатель работает на пыльных территориях.

Предупреждение: Никогда не используйте для чистки воздушного фильтра бензин или другие растворители. Это может привести к возгоранию.

Никогда не включайте двигатель без воздушного фильтра. Это приведет к быстрому изнашиванию двигателя.

ОЧИСТКА ТОПЛИВНОГО ФИЛЬТРА

Предупреждение: В определенных условиях бензин является чрезвычайно пожаро- и взрывоопасным веществом. Не курите и не допускайте появления искр и пламени на рабочей территории.

1. Снимите топливный фильтр и топливопровод.
2. Прочистите топливный фильтр. (Удалите с него грязь, забившуюся в решетку фильтра, и проверьте, что решетка нигде не повреждена).

ТЕХНИЧЕСКОЕ ОБСЛУЖИВАНИЕ СВЕЧИ ЗАЖИГАНИЯ

Рекомендуемые свечи: F7RTC или аналогичные

Предупреждение: Никогда не используйте свечи, рассчитанные на другой тепловой режим. Чтобы двигатель работал нормально, свеча должна быть установлена с правильным зазором и на ней не должно быть налета.

1. Снимите наконечник высоковольтного провода со свечи и выверните ее с помощью свечного ключа.

Предупреждение: Во время работы двигателя, глушитель сильно разогревается. Будьте внимательны и не прикасайтесь к нему, пока он не остынет.

2. Осмотрите свечу.
3. Замените свечу, если она выглядит изношенной или если изоляция треснула или крошится. В случае, если свечу еще можно использовать, почистите ее щеткой.
4. Измерьте зазор свечи щупом для измерения зазоров. Отрегулируйте расстояние, сгибая боковой электрод. Зазор должен быть: 0,70 - 0,80 мм.

5. Проверьте, чтобы шайба свечи была в хорошем состоянии и ввинтите свечу рукой так, чтобы избежать перекоса резьбы. Затяните свечу ключом, чтобы сжать шайбу.

Внимание: Когда Вы устанавливаете новую свечу, для прижатия шайбы затяните ее еще на 1/2 оборота. Если вы устанавливаете свечу, которой вы пользовались ранее, затяните на 1/8-1/4 оборота.

Предупреждение: Свеча должна быть тщательно установлена и прижата. Недостаточно прижатая свеча может очень сильно разогреться и повредить двигатель.

9. Подготовка к консервации

При хранении больше месяца:

1. Слить все топливо из топливного бака.
2. Завести двигатель и дать ему поработать для полной остановки.
3. Промойте внутреннюю часть топливного бака и топливный фильтр чистым бензином.
4. Уберите свечу зажигания и капните чистого моторного масла в отверстие свечи зажигания.
5. Прокрутите двигатель 2 или 3 раза, затем остановитесь, когда поршень будет находится наверху. Поместите обратно свечу зажигания.
6. Протрите внешнюю часть двигателя тканью, пропитанную маслом.
7. Храните двигатель в сухом месте подальше от огня и жары.

Гарантия

Производитель предоставляет гарантию на продукцию покупателю в случае дефектов материала или качества его изготовления во время использования оборудования с соблюдением инструкции пользователя на срок до 1 года со дня покупки. Во время гарантийного срока, при предъявлении доказательства покупки, прибор будет починен или заменен на такую же или аналогичную модель бесплатно. Гарантийные обязательства также распространяются и на запасные части.

В случае дефекта, пожалуйста, свяжитесь с дилером, у которого вы приобрели прибор. Гарантия не распространяется на продукт, если повреждения возникли в результате деформации, неправильного использования или ненадлежащего обращения.

Все вышеизложенные безо всяких ограничений причины, а также утечка батареи, деформация прибора являются дефектами, которые возникли в результате неправильного использования или плохого обращения.

Освобождение от ответственности

Пользователю данного продукта необходимо следовать инструкциям, которые приведены в руководстве по эксплуатации. Даже, несмотря на то, что все приборы проверены производителем, пользователь должен проверять точность прибора и его работу.

Производитель или его представители не несут ответственности за прямые или косвенные убытки, упущенную выгоду или иной ущерб, возникший в результате неправильного обращения с прибором.

Производитель или его представители не несут ответственности за косвенные убытки, упущенную выгоду, возникшие в результате катастроф (землетрясение, шторм, наводнение и т.д.), пожара, несчастных случаев, действия третьих лиц и/или использование прибора в необычных условиях.

Производитель или его представители не несут ответственности за косвенные убытки, упущенную выгоду, возникшие в результате изменения данных, потери данных и временной приостановки бизнеса и т.д., вызванных применением прибора.

Производитель или его представители не несут ответственности за косвенные убытки, упущенную выгоду, возникшие в результате использования прибора не по инструкции.

ГАРАНТИЙНЫЕ ОБЯЗАТЕЛЬСТВА НЕ РАСПРОСТРАНЯЮТСЯ НА СЛЕДУЮЩИЕ СЛУЧАИ:

1. Если будет изменен, стерт, удален или будет неразборчив типовой или серийный номер на изделии;
2. Периодическое обслуживание и ремонт или замену запчастей в связи с их нормальным износом;
3. Любые адаптации и изменения с целью усовершенствования и расширения обычной сферы применения изделия, указанной в инструкции по эксплуатации, без предварительного письменного соглашения специалиста поставщика;
4. Ремонт, произведенный не уполномоченным на то сервисным центром;
5. Ущерб в результате неправильной эксплуатации, включая, но не ограничиваясь этим, следующее: использование изделия не по назначению или не в соответствии с инструкцией по эксплуатации на прибор;
6. На элементы питания, зарядные устройства, комплектующие, быстроизнашивающиеся и запасные части;
7. Изделия, поврежденные в результате небрежного отношения, неправильной регулировки, ненадлежащего технического обслуживания с применением некачественных и нестандартных расходных материалов, попадания жидкостей и посторонних предметов внутрь.
8. Воздействие факторов непреодолимой силы и/или действие третьих лиц;
9. В случае негарантийного ремонта прибора до окончания гарантийного срока, произошедшего по причине полученных повреждений в ходе эксплуатации, транспортировки или хранения, и не возобновляется.

Для получения дополнительной информации Вы можете посетить наш Интернет сайт WWW.ADAINSTRUMENTS.COM или написать письмо с интересующими Вас вопросами на электронный адрес info@adainstruments.com

ГАРАНТИЙНЫЙ ТАЛОН

Наименование изделия и модель _____

Серийный номер _____ Дата продажи _____

Наименование торговой организации _____ Штамп торговой организации мп.

Гарантийный срок эксплуатации приборов составляет 24 месяца со дня продажи и распространяется на оборудование, ввезенное на территорию РФ официальным импортером.

В течении гарантийного срока владелец имеет право на бесплатный ремонт изделия по неисправностям, являющимся следствием производственных дефектов.

Гарантийные обязательства действительны только по предъявлении оригинального талона, заполненного полностью и четко (наличие печати и штампа с наименованием и формой собственности продавца обязательно).

Техническое освидетельствование приборов (дефектация) на предмет установления гарантийного случая производится только в авторизованной мастерской.

Производитель не несет ответственности перед клиентом за прямые или косвенные убытки, упущенную выгоду или иной ущерб, возникшие в результате выхода из строя приобретенного оборудования.

Правовой основой настоящих гарантийных обязательств является действующее законодательство, в частности, Федеральный закон РФ “О защите прав потребителя” и Гражданский кодекс РФ ч.II ст. 454-491.

Товар получен в исправном состоянии, без видимых повреждений, в полной комплектности, проверен в моем присутствии, претензий по качеству товара не имею. С условиями гарантийного обслуживания ознакомлен и согласен.

Подпись получателя _____

Перед началом эксплуатации внимательно ознакомьтесь с инструкцией по эксплуатации!

По вопросам гарантийного обслуживания и технической поддержки обращаться к продавцу данного товара

СВИДЕТЕЛЬСТВО О ПРИЕМКЕ И ПРОДАЖЕ

№ _____

НАИМЕНОВАНИЕ И ТИП ПРИБОРА

Соответствует _____
обозначение стандарта и технических условий

Дата выпуска _____

Штамп ОТК (клеймо приемщика)

Цена

Продан(а) _____ Дата продажи _____

**ADA
MEASUREMENT FOUNDATION**

WWW.ADAINSTRUMENTS.COM