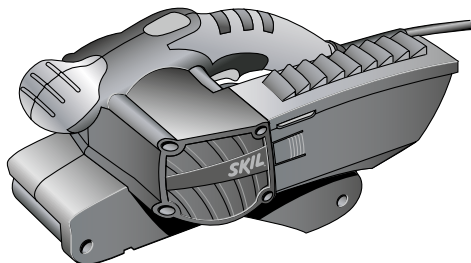
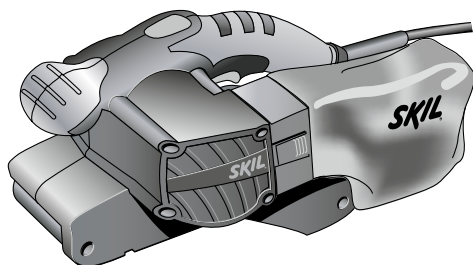


SKIL®

BELT SANDER 1210 (F0151210..) 1215 (F0151215..)




GB	ORIGINAL INSTRUCTIONS	5	UA	ОРИГІНАЛЬНА ІНСТРУКЦІЯ З ЕКСПЛУАТАЦІЇ	56
F	NOTICE ORIGINALE	7	GR	ΠΡΩΤΟΤΥΠΟ ΟΔΗΓΙΩΝ ΧΡΗΣΗΣ	59
D	ORIGINALBETRIEBSANLEITUNG	11	RO	INSTRUCȚIUNI DE FOLOSIRE ORIGINALE	63
NL	ORIGINELE GEBRUIKSAANWIJZING	14	BG	ОРИГИНАЛНО РЪКОВОДСТВО ЗА ЕКСПЛОАТАЦИЯ	66
S	BRUKSANVISNING I ORIGINAL	17	SK	PŔVODNÝ NÁVOD NA POUŽITIE	70
DK	ORIGINAL BRUGSANVISNING	20	HR	ORIGINALNE UPUTE ZA RAD	73
N	ORIGINAL BRUKSANVISNING	23	SRB	ORIGINALNO UPUTSTVO ZA RAD	76
FIN	ALKUPERÄISET OHJEET	26	SLO	IZVIRNA NAVODILA	79
E	MANUAL ORIGINAL	29	EST	ALGUPÄRANE KASUTUSJUHEND	82
P	MANUAL ORIGINAL	32	LV	ORIĢINĀLĀ LIETOŠANAS PAMĀCĪBA	85
I	ISTRUZIONI ORIGINALI	36	LT	ORIGINALI INSTRUKCIJA	88
H	EREDETI HASZNÁLATI UTASÍTÁS	39	MK	ИЗБОРНО УПАТСТВО ЗА РАБОТА	91
CZ	PŔVODNÍM NÁVODEM K POUŽÍVÁNÍ	42	AL	UDHËZIMET ORIGINALE	95
TR	ORİJİNAL İŞLETME TALİMATI	45	AR	دليل الاستعمال	104
PL	INSTRUKCJA ORYGINALNA	48	FA	راهنمای اصلی	102
RU	ПОДЛИННИК РУКОВОДСТВА ПО ЭКСПЛУАТАЦИИ	52			

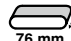
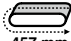


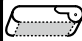
1


1210

650
Watt


2,8 kg
EPTA 01/2003


76 mm

457 mm



130x76 mm

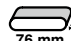


300
m/min

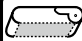
230
-
240
V~
50-60 Hz

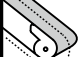
1215

650
Watt


2,9 kg
EPTA 01/2003

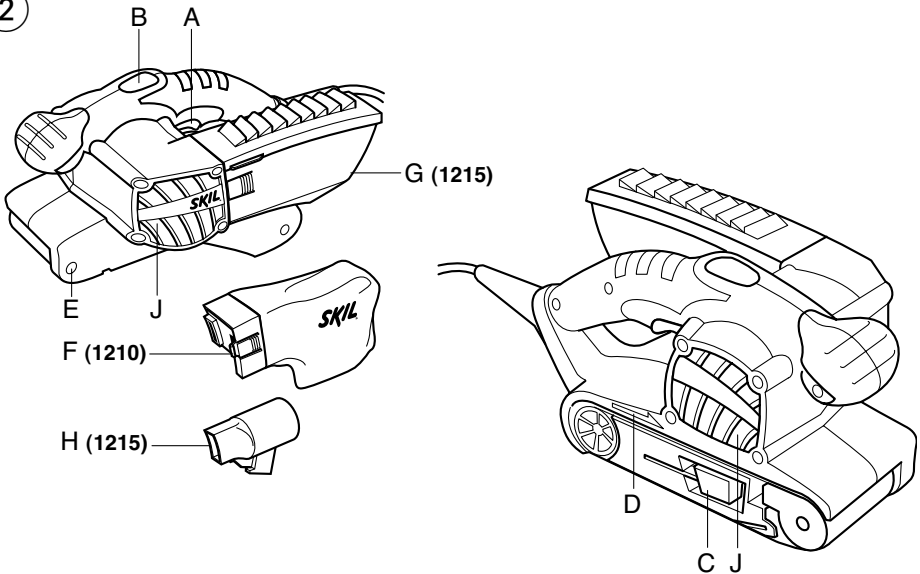

76 mm

457 mm


130x76 mm


300
m/min

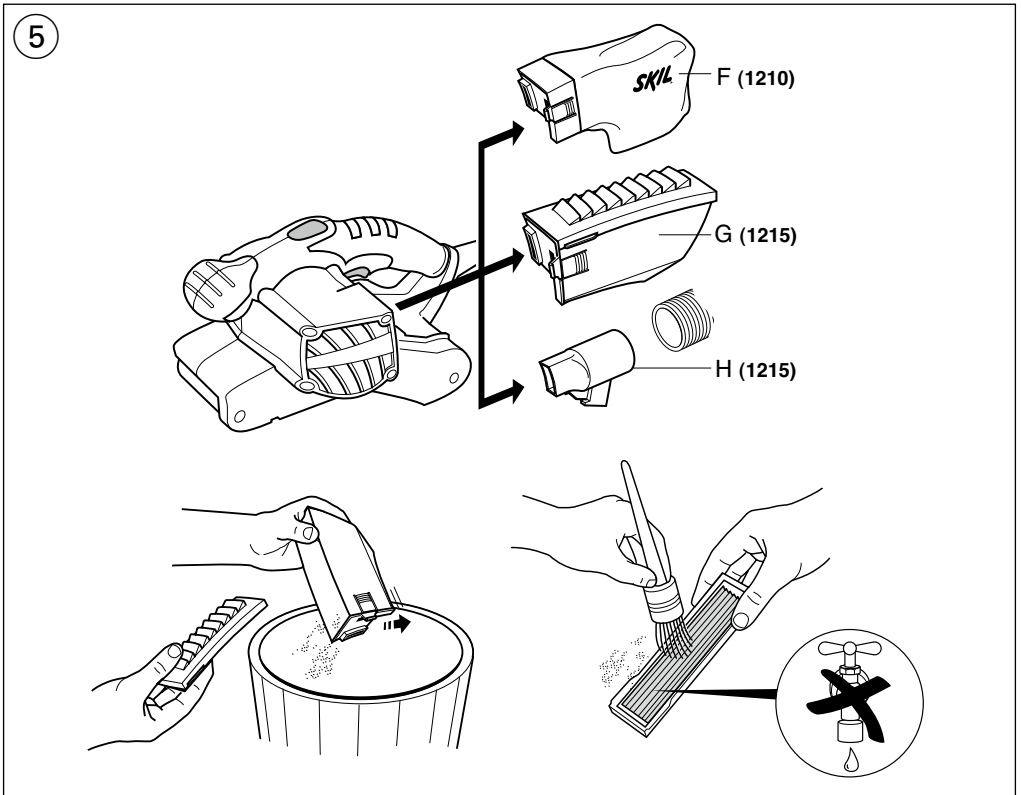
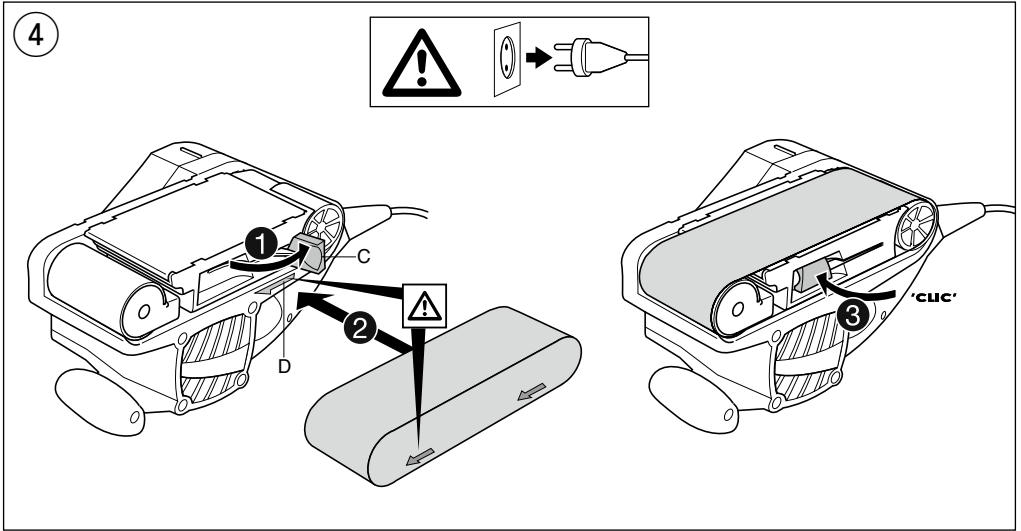
230
-
240
V~
50-60 Hz

2

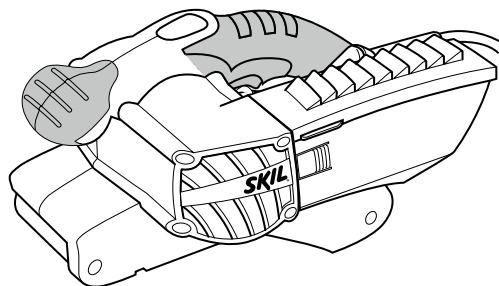


3

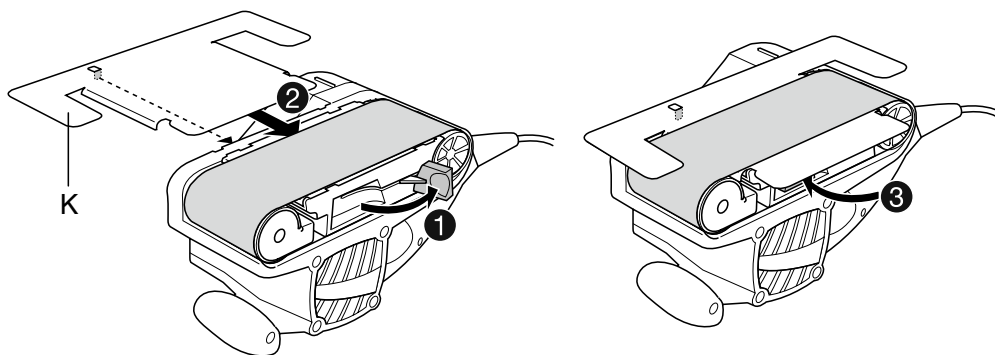




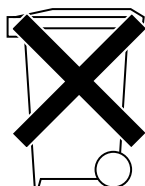
6



7



8



ACCESSORIES



WWW.SKIL.COM

Belt sander

1210/1215

INTRODUCTION

- This tool is intended for dry sanding with high removal performance of wood, plastic, metal, filler and painted surfaces
- This tool is not intended for professional use
- Read and save this instruction manual ③

TECHNICAL DATA ①

TOOL ELEMENTS ②

- A On/off switch
- B Knob for locking on/off switch
- C Lever for changing sanding belt
- D Arrow
- E Screw for adjusting belt centering
- F Dust bag
- G Dust box
- H Vacuum cleaner adapter
- J Ventilation slots
- K Sanding frame

SAFETY

GENERAL SAFETY INSTRUCTIONS

⚠ WARNING! Read all safety warnings and all instructions. Failure to follow the warnings and instructions may result in electric shock, fire and/or serious injury. **Save all warnings and instructions for future reference.** The term "power tool" in the warnings refers to your mains-operated (corded) power tool or battery-operated (cordless) power tool.

1) WORK AREA SAFETY

- a) **Keep work area clean and well lit.** Cluttered or dark areas invite accidents.
- b) **Do not operate power tools in explosive atmospheres, such as in the presence of flammable liquids, gases or dust.** Power tools create sparks which may ignite the dust or fumes.
- c) **Keep children and bystanders away while operating a power tool.** Distractions can cause you to lose control.

2) ELECTRICAL SAFETY

- a) **Power tool plugs must match the outlet. Never modify the plug in any way. Do not use any adapter plugs with earthed (grounded) power tools.** Unmodified plugs and matching outlets will reduce risk of electric shock.
- b) **Avoid body contact with earthed or grounded surfaces such as pipes, radiators, ranges and refrigerators.** There is an increased risk of electric shock if your body is earthed or grounded.
- c) **Do not expose power tools to rain or wet conditions.** Water entering a power tool will increase the risk of electric shock.

- d) **Do not abuse the cord. Never use the cord for carrying, pulling or unplugging the power tool. Keep cord away from heat, oil, sharp edges or moving parts.** Damaged or entangled cords increase the risk of electric shock.
- e) **When operating a power tool outdoors, use an extension cord suitable for outdoor use.** Use of a cord suitable for outdoor use reduces the risk of electric shock.
- f) **If operating a power tool in a damp location is unavoidable, use an earth leakage circuit breaker.** Use of an earth leakage circuit breaker reduces the risk of electric shock.

3) PERSONAL SAFETY

- a) **Stay alert, watch what you are doing and use common sense when operating a power tool. Do not use a power tool while you are tired or under the influence of drugs, alcohol or medication.** A moment of inattention while operating power tools may result in serious personal injury.
 - b) **Use personal protective equipment. Always wear eye protection.** Protective equipment such as dust mask, non-skid safety shoes, hard hat, or hearing protection used for appropriate conditions will reduce personal injuries.
 - c) **Prevent unintentional starting. Ensure the switch is in the off-position before connecting to power source and/or battery pack, picking up or carrying the tool.** Carrying power tools with your finger on the switch or energising power tools that have the switch on invites accidents.
 - d) **Remove any adjusting key or wrench before turning the power tool on.** A wrench or a key left attached to a rotating part of the power tool may result in personal injury.
 - e) **Do not overreach. Keep proper footing and balance at all times.** This enables better control of the power tool in unexpected situations.
 - f) **Dress properly. Do not wear loose clothing or jewelry. Keep your hair, clothing and gloves away from moving parts.** Loose clothes, jewelry or long hair can be caught in moving parts.
 - g) **If devices are provided for the connection of dust extraction and collection facilities, ensure these are connected and properly used.** Use of dust collection can reduce dust-related hazards.
- #### 4) POWER TOOL USE AND CARE
- a) **Do not force the power tool. Use the correct power tool for your application.** The correct power tool will do the job better and safer at the rate for which it was designed.
 - b) **Do not use the power tool if the switch does not turn it on and off.** Any power tool that cannot be controlled with the switch is dangerous and must be repaired.
 - c) **Disconnect the plug from the power source and/or the battery pack from the power tool before making any adjustments, changing accessories, or storing power tools.** Such preventive safety measures reduce the risk of starting the power tool accidentally.
 - d) **Store idle power tools out of the reach of children and do not allow persons unfamiliar with the power tool or these instructions to operate the power tool.** Power tools are dangerous in the hands of untrained users.

- e) **Maintain power tools. Check for misalignment or binding of moving parts, breakage of parts and any other condition that may affect the power tool's operation. If damaged, have the power tool repaired before use.** Many accidents are caused by poorly maintained power tools.
 - f) **Keep cutting tools sharp and clean.** Properly maintained cutting tools with sharp cutting edges are less likely to bind and are easier to control.
 - g) **Use the power tool, accessories and tool bits etc., in accordance with these instructions, taking into account the working conditions and the work to be performed.** Use of the power tool for operations different from those intended could result in a hazardous situation.
- 5) SERVICE**
- a) **Have your power tool serviced by a qualified repair person using only identical replacement parts.** This will ensure that the safety of the power tool is maintained.

SAFETY INSTRUCTIONS FOR SANDERS

- Avoid damage that can be caused by screws, nails and other elements in your workpiece; remove them before you start working
- Always keep the cord away from moving parts of the tool; direct the cord to the rear, away from the tool
- **Secure the workpiece** (a workpiece clamped with clamping devices or in a vice is held more securely than by hand)
- When you put away the tool, switch off the motor and ensure that all moving parts have come to a complete standstill
- Use completely unrolled and safe extension cords with a capacity of 16 Amps (U.K. 13 Amps)
- In case of electrical or mechanical malfunction, immediately switch off the tool and disconnect the plug
- SKIL can assure flawless functioning of the tool only when original accessories are used
- This tool should not be used by people under the age of 16 years
- The noise level when working can exceed 85 dB(A); wear ear protection
- **Hold power tool by insulated gripping surfaces, because the belt may contact its own cord** (cutting a "live" wire may make exposed metal parts of the power tool "live" and could give the operator an electric shock)
- If the cord is damaged or cut through while working, do not touch the cord, but immediately disconnect the plug
- Never use the tool when cord is damaged; have it replaced by a qualified person
- Always check that the supply voltage is the same as the voltage indicated on the nameplate of the tool (tools with a rating of 230V or 240V can also be connected to a 220V supply)
- This tool is not suitable for wet sanding
- **Do not work materials containing asbestos** (asbestos is considered carcinogenic)
- Dust from material such as paint containing lead, some wood species, minerals and metal may be harmful (contact with or inhalation of the dust may cause allergic reactions and/or respiratory diseases to the operator or bystanders); **wear a dust mask and work with a dust extraction device when connectable**

- Certain kinds of dust are classified as carcinogenic (such as oak and beech dust) especially in conjunction with additives for wood conditioning; **wear a dust mask and work with a dust extraction device when connectable**
 - Follow the dust-related national requirements for the materials you want to work with
 - When sanding metal, sparks are generated; do not use dustbag/dustbox/vacuum cleaner and keep other persons and combustible material from work area
 - Do not touch the running sanding belt
 - Do not continue to use worn, torn or heavily clogged sanding belts
 - Wear protective gloves, safety glasses, close-fitting clothes and hair protection (for long hair)
 - **Always disconnect plug from power source before making any adjustment or changing any accessory**
- WHEN CONNECTING NEW 3-PIN PLUG (U.K. ONLY):
- Do not connect the blue (= neutral) or brown (= live) wire in the cord of this tool to the earth terminal of the plug
 - If for any reason the old plug is cut off the cord of this tool, it must be disposed of safely and not left unattended

USE

- On/off switch
 - switch on/off the tool by pulling/releasing trigger A ②
 - ! **before the sanding surface reaches the workpiece, you should switch on the tool**
 - ! **before switching off the tool, you should lift it from the workpiece**
- Switch locking for continuous use
 - pull trigger A ②
 - press knob B ② with your thumb
 - release the trigger
 - unlock the switch by pulling again trigger A ② and then releasing it
- Quick-changing of sanding belts (CLIC system) ④
 - ! **disconnect the plug**
 - lift lever C
 - remove sanding belt
 - insert new belt with arrows printed at inner side of belt pointing in same direction as arrow D on tool
 - push lever back
 - ! **change sanding belts in time**
 - ! **never fold sanding belts**
- Automatic belt centering (ABC)
 - centers belt automatically when switching on tool
 - keeps belt centered while sanding

In case belt runs off tool (mostly caused by inferior belt quality), you should

 - switch on the tool
 - adjust screw E ② till the sanding belt is running in line with the flat side of the tool
 - use new belt, if belt still runs off tool
- Dust suction ⑤
 - empty dustbox G/dustbag F regularly for optimal dust pick-up performance
 - when using tool with vacuum cleaner, mount vacuum cleaner adaptor H as illustrated (1215)
 - when necessary, also clean the filter as illustrated
 - ! **do not use dustbox/dustbag/vacuum cleaner when sanding metal**

- Holding and guiding the tool ⑥
 - guide the tool parallel to the working surface
 - ! **while working, always hold the tool at the grey-coloured grip area(s)**
 - ! **do not apply too much pressure on the tool; let the sanding surface do the work for you**
 - do not tilt the tool in order to avoid unwanted sanding marks
 - keep ventilation slots J ② uncovered

APPLICATION ADVICE

- For sanding bare wood surfaces move the tool in straight movements in line with the grain
- For sanding all other surfaces move the tool in oval movements over the material
- Mount sanding frame K (SKIL accessory 2610398244) for equalizing surfaces without scratches or grooves, and ensure it is in place securely ⑦
 - ! **sanding frame K becomes hot during use; do not touch it before it has cooled down**
- Never use the same sanding belt for wood and metal
- Recommended sanding belt grits:
 - coarse - for removing paint; for sanding of extremely rough wood
 - medium - for sanding of rough or plain wood
 - fine - for smoothing of wood; for finishing of bare wood; for smoothing surfaces with old paint
- Use different grit sizes when the working surface is rough:
 - start sanding with coarse or medium grit
 - finish with fine grit
- For more tips see www.skil.com

MAINTENANCE / SERVICE

- This tool is not intended for professional use
- Always keep tool and cord clean (especially ventilation slots J ②)
 - remove adhering sanding dust with a brush
 - ! **disconnect the plug before cleaning**
- If the tool should fail despite the care taken in manufacturing and testing procedures, repair should be carried out by an after-sales service centre for SKIL power tools
 - send the tool **undismantled** together with proof of purchase to your dealer or the nearest SKIL service station (addresses as well as the service diagram of the tool are listed on www.skil.com)

ENVIRONMENT

- **Do not dispose of electric tools, accessories and packaging together with household waste material** (only for EU countries)
 - in observance of European Directive 2012/19/EC on waste of electric and electronic equipment and its implementation in accordance with national law, electric tools that have reached the end of their life must be collected separately and returned to an environmentally compatible recycling facility
 - symbol ⑧ will remind you of this when the need for disposing occurs

DECLARATION OF CONFORMITY ①

- We declare under our sole responsibility that the product described under "Technical data" is in conformity with the following standards or standardization documents: EN 60745, EN 61000, EN 55014, in accordance with the provisions of the directives 2004/108/EC, 2006/42/EC, 2011/65/EU
- **Technical file at:** SKIL Europe BV (PT-SEU/ENG1), 4825 BD Breda, NL

Marijn van der Hoofden
Operations & Engineering

Olaf Dijkgraaf
Approval Manager




SKIL Europe BV, 4825 BD Breda, NL

09.12.2013

NOISE/VIBRATION

- Measured in accordance with EN 60745 the sound pressure level of this tool is 87 dB(A) and the sound power level 98 dB(A) (standard deviation: 3 dB), and the vibration 2.1 m/s² (hand-arm method; uncertainty K = 1.5 m/s²)
- The vibration emission level has been measured in accordance with a standardised test given in EN 60745; it may be used to compare one tool with another and as a preliminary assessment of exposure to vibration when using the tool for the applications mentioned
 - using the tool for different applications, or with different or poorly maintained accessories, may significantly **increase** the exposure level
 - the times when the tool is switched off or when it is running but not actually doing the job, may significantly **reduce** the exposure level
- ! **protect yourself against the effects of vibration by maintaining the tool and its accessories, keeping your hands warm, and organizing your work patterns**

F

Ponceuse à bande

1210/1215

INTRODUCTION

- Cet outil est conçu pour le ponçage à sec avec une grande capacité à enlever la matière du bois, plastique, métal et mastic et des surfaces peintes
- Cet outil n'est conçu pour un usage professionnel
- Lisez et conservez ce manuel d'instruction ③

CARACTERISTIQUES TECHNIQUES ①

ELEMENTS DE L'OUTIL ②

A Interrupteur marche/arrêt

B Bouton de verrouillage de l'interrupteur marche/arrêt

C Levier pour changer la bande de ponçage

D Flèche

- E Vis pour régler le centrage de la bande
- F Sac à poussière
- G Réservoir à poussière
- H Adaptateur de l'aspirateur
- J Fentes de ventilation
- K Support de ponçage

SECURITE

INSTRUCTIONS GENERALES DE SECURITE

⚠ ATTENTION! Lisez tous les avertissements de sécurité et toutes les instructions. Ne pas suivre les avertissements et instructions peut entraîner un choc électrique, un incendie et/ou de graves blessures sur les personnes. **Conservez tous les avertissements et toutes les instructions pour pouvoir s'y reporter ultérieurement.** La notion d'"outil électroportatif" dans les avertissements se rapporte à des outils électriques raccordés au secteur (avec câble de raccordement) et à des outils électriques à batterie (sans câble de raccordement).

1) SECURITE DE LA ZONE DE TRAVAIL

- a) **Maintenez l'endroit de travail propre et bien éclairé.**
Un lieu de travail en désordre ou mal éclairé augmente le risque d'accidents.
- b) **N'utilisez pas l'appareil dans un environnement présentant des risques d'explosion et où se trouvent des liquides, des gaz ou poussières inflammables.** Les outils électroportatifs génèrent des étincelles risquant d'enflammer les poussières ou les vapeurs.
- c) **Tenez les enfants et autres personnes éloignés durant l'utilisation de l'outil électroportatif.** En cas d'inattention vous risquez de perdre le contrôle sur l'appareil.

2) SECURITE RELATIVE AU SYSTEME ELECTRIQUE

- a) **La fiche de secteur de l'outil électroportatif doit être appropriée à la prise de courant. Ne modifiez en aucun cas la fiche. N'utilisez pas de fiches d'adaptateur avec des appareils avec mise à la terre.** Les fiches non modifiées et les prises de courant appropriées réduisent le risque de choc électrique.
- b) **Évitez le contact physique avec des surfaces mises à la terre telles que tuyaux, radiateurs, fours et réfrigérateurs.** Il y a un risque élevé de choc électrique au cas où votre corps serait relié à la terre.
- c) **N'exposez pas l'outil électroportatif à la pluie ou à l'humidité.** La pénétration d'eau dans un outil électroportatif augmente le risque d'un choc électrique.
- d) **N'utilisez pas le câble à d'autres fins que celles prévues, n'utilisez pas le câble pour porter l'appareil ou pour l'accrocher ou encore pour le débrancher de la prise de courant. Maintenez le câble éloigné des sources de chaleur, des parties grasses, des bords tranchants ou des parties de l'appareil en rotation.** Un câble endommagé ou torsadé augmente le risque d'un choc électrique.
- e) **Au cas où vous utiliseriez l'outil électroportatif à l'extérieur, utilisez une rallonge autorisée homologuée pour les applications extérieures.**

L'utilisation d'une rallonge électrique homologuée pour les applications extérieures réduit le risque d'un choc électrique.

- f) **Si l'usage d'un outil dans un emplacement humide est inévitable, utilisez un disjoncteur de fuite à la terre.** L'utilisation d'un disjoncteur de fuite à la terre réduit le risque de choc électrique.

3) SECURITE DES PERSONNES

- a) **Restez vigilant, surveillez ce que vous faites. Faites preuve de bon sens en utilisant l'outil électroportatif. N'utilisez pas l'appareil lorsque vous êtes fatigué ou après avoir consommé de l'alcool, des drogues ou avoir pris des médicaments.** Un moment d'inattention lors de l'utilisation de l'appareil peut entraîner de graves blessures sur les personnes.
 - b) **Portez des équipements de protection. Portez toujours des lunettes de protection.** Le fait de porter des équipements de protection personnels tels que masque anti-poussières, chaussures de sécurité antidérapantes, casque de protection ou protection acoustique suivant le travail à effectuer, réduit le risque de blessures.
 - c) **Évitez tout démarrage intempestif. S'assurez que l'interrupteur est en position arrêt avant de brancher l'outil au secteur et/ou au bloc de batteries, de le ramasser ou de le porter.** Porter les outils en ayant le doigt sur l'interrupteur ou brancher des outils dont l'interrupteur est en position marche est source d'accidents.
 - d) **Enlevez tout outil de réglage ou toute clé avant de mettre l'appareil en fonctionnement.** Une clé ou un outil se trouvant sur une partie en rotation peut causer des blessures.
 - e) **Ne surestimez pas vos capacités. Veillez à garder toujours une position stable et équilibrée.** Ceci vous permet de mieux contrôler l'appareil dans des situations inattendues.
 - f) **Portez des vêtements appropriés. Ne portez pas de vêtements amples ni de bijoux. Maintenez cheveux, vêtements et gants éloignés des parties de l'appareil en rotation.** Des vêtements amples, des bijoux ou des cheveux longs peuvent être happés par des pièces en mouvement.
 - g) **Si des dispositifs servant à aspirer ou à recueillir les poussières doivent être utilisés, vérifiez que ceux-ci soient effectivement raccordés et qu'ils sont correctement utilisés.** L'utilisation des collecteurs de poussière réduit les dangers dus aux poussières.
- #### 4) UTILISATION ET EMPLOI SOIGNEUX DE L'OUTIL ELECTROPORTATIF
- a) **Ne surchargez pas l'appareil. Utilisez l'outil électroportatif approprié au travail à effectuer.** Avec l'outil électroportatif approprié, vous travaillerez mieux et avec plus de sécurité à la vitesse pour laquelle il est prévu.
 - b) **N'utilisez pas un outil électroportatif dont l'interrupteur est défectueux.** Un outil électroportatif qui ne peut plus être mis en ou hors fonctionnement est dangereux et doit être réparé.
 - c) **Débranchez la fiche de la source d'alimentation en courant et/ou le bloc de batteries de l'outil avant tout réglage, changement d'accessoires ou avant de**

ranger l'outil. Cette mesure de précaution empêche une mise en fonctionnement par mégarde.

- d) **Gardez les outils électroportatifs non utilisés hors de portée des enfants. Ne permettez pas l'utilisation de l'appareil à des personnes qui ne se sont pas familiarisées avec celui-ci ou qui n'ont pas lu ces instructions.** Les outils électroportatifs sont dangereux lorsqu'ils sont utilisés par des personnes non initiées.
- e) **Prenez soin des outils électroportatifs. Vérifiez que les parties en mouvement fonctionnent correctement et qu'elles ne soient pas coincées, et contrôlez si des parties sont cassées ou endommagées de telle sorte que le bon fonctionnement de l'appareil s'en trouve entravé. Faites réparer les parties endommagées avant d'utiliser l'appareil.** De nombreux accidents sont dus à des outils électroportatifs mal entretenus.
- f) **Maintenez les outils de coupe aiguisés et propres.** Des outils soigneusement entretenus avec des bords tranchants bien aiguisés se coincent moins souvent et peuvent être guidés plus facilement.
- g) **Utilisez les outils électroportatifs, les accessoires, les outils à monter etc. conformément à ces instructions. Tenez compte également des conditions de travail et du travail à effectuer.** L'utilisation des outils électroportatifs à d'autres fins que celles prévues peut entraîner des situations dangereuses.

5) SERVICE

- a) **Ne faites réparer votre outil électroportatif que par un personnel qualifié et seulement avec des pièces de rechange d'origine.** Ceci permet d'assurer la sécurité de l'appareil.

INSTRUCTIONS DE SECURITE POUR PONCEUSES

- Faites attention aux vis, clous ou autres éléments qui pourraient se trouver dans la pièce à travailler et qui risqueraient d'endommager très fortement votre outil; enlevez-les avant de commencer le travail
- Tenez toujours le câble éloigné des parties mobiles de l'outil; orientez le câble vers l'arrière le plus loin possible de l'outil
- Fixez solidement la pièce à travailler** (une pièce fixée à l'aide de dispositifs de fixation est davantage assurée que si elle était tenue à la main)
- Lorsque vous rangez votre outil, le moteur doit être coupé et les pièces mobiles complètement arrêtées
- Utilisez un câble de prolongement complètement déroulé et de bonne qualité d'une capacité de 16 A
- En cas de dysfonctionnement électrique ou mécanique, mettez directement l'outil hors service et débranchez la fiche
- SKIL ne peut se porter garant du bon fonctionnement de cet outil que s'il a été utilisé avec les accessoires d'origine
- Cet outil ne doit pas être utilisé par des personnes de moins de 16 ans
- Le niveau sonore en fonctionnement peut dépasser 85 dB(A); munissez-vous de casques anti-bruit
- Tenez l'outil aux poignées isolées, car la bande peut entrer en contact avec son propre câble** (couper un fil sous tension peut mettre sous tension les parties

métalliques exposées, ce qui pourrait électrocuter l'utilisateur)

- Si le câble est endommagé ou rompu pendant le travail, n'y touchez pas, mais débranchez immédiatement la prise
- N'utilisez jamais d'outil avec un câble endommagé; faites-le remplacer par un technicien qualifié
- Contrôlez toujours si la tension secteur correspond à la tension indiquée sur la plaquette signalétique de l'outil (les outils conçus pour une tension de 230V ou 240V peuvent également être branchés sur 220V)
- Cet outil ne convient pas pour des surfaces à poncer imperméabilisées
- Ne travaillez pas de matériaux contenant de l'amiante** (l'amiante est considérée comme étant cancérigène)
- La poussière de matériaux, tels que la peinture contenant du plomb, certaines espèces de bois, certains minéraux et différents métaux, peut être nocive (le contact avec la poussière ou son inhalation peut provoquer des réactions allergiques et/ou des maladies respiratoires chez l'opérateur ou des personnes se trouvant à proximité); **portez un masque antipoussières et travaillez avec un appareil de dépolluissage lorsqu'il est possible d'en connecter un**
- Certains types de poussières sont classifiés comme étant cancérigènes (tels que la poussière de chêne ou de hêtre), en particulier en combinaison avec des additifs de traitement du bois; **portez un masque antipoussières et travaillez avec un appareil de dépolluissage lorsqu'il est possible d'en connecter un**
- Suivez les directives nationales relatives au dépolluissage pour les matériaux à travailler
- Lorsque vous poncez du métal, des étincelles se produisent; n'utilisez pas le sac à poussière/le réservoir à poussière// aspirateur et tenez toute autre personne ou tout matériel combustible éloignés de votre lieu de travail
- Ne touchez pas la bande de ponçage en rotation
- N'utilisez plus les bandes de ponçage usées, fissurées ou fortement encrassées
- Portez des gants de protection, des lunettes de protection, des vêtements près du corps et un protège cheveux (pour des cheveux longs)
- Débranchez toujours l'outil avant tout réglage ou changement d'accessoire**

UTILISATION

- Interrupteur marche/arrêt
 - mettez en marche/arrêtez votre outil en poussant/relâchant la gâchette A ②
- ! l'outil doit être mis en marche avant que la surface de ponçage ne touche la pièce à poncer**
- ! avant d'arrêter l'outil, vous devriez le soulever de la pièce à travailler**
- Blocage de l'interrupteur pour marche continue
 - appuyez sur la gâchette A ②
 - poussez le bouton B ② à l'aide du pouce
 - relâchez la gâchette
 - déverrouillez l'interrupteur en appuyant à nouveau sur la gâchette A ②

- Remplacement rapide des bandes de ponçage (système CLIC) ④

! débranchez la fiche

- soulevez le levier C
- démontez la bande de ponçage
- insérez la nouvelle bande, les flèches imprimées à l'intérieur de la bande pointées dans la même direction que la flèche D située sur l'outil
- rabaissez le levier

! procédez à temps au changement des bandes de ponçage

! ne jamais pliez les bandes de ponçage

- Centrage automatique de la bande (ABC)
 - centre la bande automatiquement dès que l'équipement est mis en marche
 - maintient la bande centrée pendant le ponçage
- Au cas où la bande se déroule de l'outil (généralement suite à une qualité inférieure de bande):
 - mettez en marche l'outil
 - réglez la vis E ② jusqu'à ce que la bande de ponçage s'aligne avec le côté plat de l'outil
 - renouvelez la bande dans le cas où elle continue à se dérouler de l'outil

- Aspiration de poussières ⑤

- videz le réservoir G/le sac F régulièrement pour une récupération optimale des poussières
- lorsque vous utilisez l'outil avec un aspirateur, montez l'adaptateur de l'aspirateur H comme illustré (1215)
- si nécessaire, nettoyez aussi le filtre, comme illustré

! n'utilisez pas le réservoir à poussière/le sac à poussière/l'aspirateur pour le ponçage des métaux

- Tenue et guidage de l'outil ⑥

- le guidage doit se faire parallèlement à la surface à travailler

! lorsque vous travaillez, tenez toujours l'outil par la(les) zone(s) de couleur grise

! n'appliquez pas une pression excessive sur l'outil; le ponçage se fait de lui-même

- n'inclinez pas trop l'outil pour éviter toute marque de ponçage
- veillez à ce que les fentes de ventilation J ② soient découvertes

CONSEILS D'UTILISATION

- Pour poncer des surfaces de bois nu, déplacez l'outil en mouvements droits dans le sens du grain
- Pour poncer toutes les autres surfaces, faites des mouvements circulaires
- Installez le support de ponçage K (accessoire SKIL 2610398244) pour poncer les surfaces sans produire de rayures, et vérifiez qu'il est bien enclenché ⑦
- ! à l'usage, le support de ponçage K s'échauffe; ne pas y touchez avant qu'il ne se soit refroidi**
- Ne jamais travaillez le bois et le métal avec une même bande de ponçage
- Grain de bandes de ponçage recommandé:

gros-	pour enlever de la peinture; pour poncer du bois très brut
moyen-	pour poncer du bois brut ou commun
fin-	pour polir du bois; pour finir du bois nu; pour polir des vieilles surfaces peintes

- Procédez par étapes, quand la surface à travailler est brute:
 - commencez à poncer avec du grain gros ou moyen
 - terminez par du grain fin
- Pour des suggestions complémentaires voyez www.skil.com

ENTRETIEN / SERVICE APRES-VENTE

- Cet outil n'est pas conçu pour un usage professionnel
- Gardez toujours votre outil et le câble propres (spécialement les aérations J ②)
 - éliminez les poussières de ponçage qui adhèrent à l'outil avec un pinceau
- ! débranchez la fiche avant le nettoyage**
- Si, malgré tous les soins apportés à la fabrication et au contrôle de l'outil, celui-ci devait avoir un défaut, la réparation ne doit être confiée qu'à une station de service après-vente agréée pour outillage SKIL
 - retournez l'outil **non démonté** avec votre preuve d'achat au revendeur ou au centre de service après-vente SKIL le plus proche (les adresses ainsi que la vue éclatée de l'outil figurent sur www.skil.com)

ENVIRONNEMENT

- **Ne jetez pas les outils électriques, les accessoires et l'emballage dans les ordures ménagères** (pour les pays européens uniquement)
 - conformément à la directive européenne 2012/19/EG relative aux déchets d'équipements électriques ou électroniques, et à sa transposition dans la législation nationale, les outils électriques usés doivent être collectés séparément et faire l'objet d'un recyclage respectueux de l'environnement
 - le symbole ⑧ vous le rappellera au moment de la mise au rebut de l'outil

DÉCLARATION DE CONFORMITÉ CE

- Nous déclarons sous notre propre responsabilité que le produit décrit sous "Caractéristiques techniques" est en conformité avec les normes ou documents normatifs suivants: EN 60745, EN 61000, EN 55014, conformément aux termes des réglementations en vigueur 2004/108/CE, 2006/42/CE, 2011/65/UE
- **Dossier technique auprès de:** SKIL Europe BV (PT-SEU/ENG1), 4825 BD Breda, NL

Marijn van der Hoofden Olaf Dijkgraaf
Operations & Engineering Approval Manager




SKIL Europe BV, 4825 BD Breda, NL

09.12.2013

BRUIT/VIBRATION

- Mesuré selon EN 60745 le niveau de la pression sonore de cet outil est 87 dB(A) et le niveau de la puissance sonore 98 dB(A) (déviation standard: 3 dB), et la vibration 2,1 m/s² (méthode main-bras; incertitude K = 1,5 m/s²)

- Le niveau de vibrations émises a été mesuré conformément à l'essai normalisé de la norme EN 60745; il peut être utilisé pour comparer plusieurs outils et pour réaliser une évaluation préliminaire de l'exposition aux vibrations lors de l'utilisation de l'outil pour les applications mentionnées
 - l'utilisation de l'outil dans d'autres applications, ou avec des accessoires différents ou mal entretenus, peut considérablement **augmenter** le niveau d'exposition
 - la mise hors tension de l'outil et sa non-utilisation pendant qu'il est allumé peuvent considérablement **réduire** le niveau d'exposition
- ! **protégez-vous contre les effets des vibrations par un entretien correct de l'outil et de ses accessoires, en gardant vos mains chaudes et en structurant vos schémas de travail**

D

Bandschleifer

1210/1215

EINLEITUNG

- Dieses Werkzeug ist bestimmt zum trockenen Schleifen mit hoher Abtragsleistung von Holz, Kunststoff, Metall, Spachtelmasse und lackierten Oberflächen
- Dieses Werkzeug eignet sich nicht für den professionellen Einsatz
- Bitte diese Bedienungsanleitung sorgfältig lesen und aufbewahren ③

TECHNISCHE DATEN ①

WERKZEUGKOMPONENTEN ②

- A Ein/Aus-Schalter
- B Knopf zum Verriegeln des Ein/Aus-Schalters
- C Hebel zum Wechseln des Schleifbands
- D Pfeil
- E Schraube zum Justieren der Bandzentrierung
- F Staubbeutel
- G Staubbox
- H Staubsaugeranschluß
- J Lüftungsschlitze
- K Schleifrahmen

SICHERHEIT

ALLGEMEINE SICHERHEITSHINWEISE

⚠ ACHTUNG! Lesen Sie alle Sicherheitshinweise und Anweisungen. Versäumnisse bei der Einhaltung der Sicherheitshinweise und Anweisungen können elektrischen Schlag, Brand und/oder schwere Verletzungen verursachen. **Bewahren Sie alle Sicherheitshinweise und Anweisungen für die Zukunft auf.** Der in den Sicherheitshinweisen verwendete Begriff "Elektrowerkzeug" bezieht sich auf netzbetriebene Elektrowerkzeuge (mit Netzkabel) und auf akkubetriebene Elektrowerkzeuge (ohne Netzkabel).

1) ARBEITSPLATZSICHERHEIT

- a) **Halten Sie Ihren Arbeitsbereich sauber und gut beleuchtet.** Unordnung oder unbeleuchtete Arbeitsbereiche können zu Unfällen führen.
- b) **Arbeiten Sie mit dem Gerät nicht in explosionsgefährdeter Umgebung, in der hoch brennbare Flüssigkeiten, Gase oder Stäube befinden.** Elektrowerkzeuge erzeugen Funken, die den Staub oder die Dämpfe entzünden können.
- c) **Halten Sie Kinder und andere Personen während der Benutzung des Elektrowerkzeugs fern.** Bei Ablenkung können Sie die Kontrolle über das Gerät verlieren.

2) ELEKRISCHE SICHERHEIT

- a) **Der Anschlussstecker des Gerätes muss in die Steckdose passen. Der Stecker darf in keiner Weise verändert werden. Verwenden Sie keine Adapterstecker gemeinsam mit schutzgeerdeten Geräten.** Unveränderte Stecker und passende Steckdosen verringern das Risiko eines elektrischen Schlages.
- b) **Vermeiden Sie Körperkontakt mit geerdeten Oberflächen, wie von Rohren, Heizungen, Herden und Kühlschränken.** Es besteht ein erhöhtes Risiko durch elektrischen Schlag, wenn Ihr Körper geerdet ist.
- c) **Halten Sie das Gerät von Regen oder Nässe fern.** Das Eindringen von Wasser in ein Elektrogerät erhöht das Risiko eines elektrischen Schlages.
- d) **Zweckfremden Sie das Kabel nicht, um das Gerät zu tragen, aufzuhängen oder um den Stecker aus der Steckdose zu ziehen. Halten Sie das Kabel fern von Hitze, Öl, scharfen Kanten oder sich bewegendem Geräteteilen.** Beschädigte oder verwinkelte Kabel erhöhen das Risiko eines elektrischen Schlages.
- e) **Wenn Sie mit einem Elektrowerkzeug im Freien arbeiten, verwenden Sie nur Verlängerungskabel, die auch für den Außenbereich zugelassen sind.** Die Anwendung eines für den Außenbereich geeigneten Verlängerungskabels verringert das Risiko eines elektrischen Schlages.
- f) **Wenn der Betrieb des Elektrowerkzeuges in feuchter Umgebung nicht vermeidbar ist, verwenden Sie einen Fehlerstromschutzschalter.** Der Einsatz eines Fehlerstromschutzschalters vermindert das Risiko eines elektrischen Schlages.

3) SICHERHEIT VON PERSONEN

- a) **Seien Sie aufmerksam, achten Sie darauf, was Sie tun, und gehen Sie mit Vernunft an die Arbeit mit einem Elektrowerkzeug. Benutzen Sie das Gerät nicht, wenn Sie müde sind oder unter dem Einfluss von Drogen, Alkohol oder Medikamenten stehen.** Ein Moment der Unachtsamkeit beim Gebrauch des Gerätes kann zu ernsthaften Verletzungen führen.
- b) **Tragen Sie persönliche Schutzausrüstung und immer eine Schutzbrille.** Das Tragen persönlicher Schutzausrüstung, wie Staubmaske, rutschfeste Sicherheitsschuhe, Schutzhelm oder Gehörschutz, je nach Art und Einsatz des Elektrowerkzeuges, verringert das Risiko von Verletzungen.
- c) **Vermeiden Sie eine unbeabsichtigte Inbetriebnahme. Vergewissern Sie sich, dass das Elektrowerkzeug ausgeschaltet ist, bevor Sie es an**

die Stromversorgung und/oder den Akku anschließen, es aufnehmen oder tragen. Wenn Sie beim Tragen des Elektrowerkzeuges den Finger am Schalter haben oder das Gerät eingeschaltet an die Stromversorgung anschließen, kann dies zu Unfällen führen.

- d) **Entfernen Sie Einstellwerkzeuge oder Schraubenschlüssel, bevor Sie das Gerät einschalten.** Ein Werkzeug oder Schlüssel, der sich in einem drehenden Geräteteil befindet, kann zu Verletzungen führen.
- e) **Überschätzen Sie sich nicht. Sorgen Sie für einen sicheren Stand und halten Sie jederzeit das Gleichgewicht.** Dadurch können Sie das Gerät in unerwarteten Situationen besser kontrollieren.
- f) **Tragen Sie geeignete Kleidung. Tragen Sie keine weite Kleidung oder Schmuck. Halten Sie Haare, Kleidung und Handschuhe fern von sich bewegenden Teilen.** Lockere Kleidung, Schmuck oder lange Haare können von sich bewegenden Teilen erfasst werden.
- g) **Wenn Staubabsaug- und -auffangeinrichtungen montiert werden können, vergewissern Sie sich, dass diese angeschlossen sind und richtig verwendet werden.** Verwendung einer Staubabsaugung verringert Gefährdungen durch Staub.
- 4) SORGFÄLTIGER UMGANG UND GEBRAUCH VON ELEKTROWERKZEUGEN**
- a) **Überlasten Sie das Gerät nicht. Verwenden Sie für Ihre Arbeit das dafür bestimmte Elektrowerkzeug.** Mit dem passenden Elektrowerkzeug arbeiten Sie besser und sicherer im angegebenen Leistungsbereich.
- b) **Benutzen Sie kein Elektrowerkzeug, dessen Schalter defekt ist.** Ein Elektrowerkzeug, das sich nicht mehr ein- oder ausschalten lässt, ist gefährlich und muss repariert werden.
- c) **Ziehen Sie den Stecker aus der Steckdose und/oder entfernen Sie den Akku, bevor Sie Geräteeinstellungen vornehmen, Zubehörteile wechseln oder das Gerät weglegen.** Diese Vorsichtsmaßnahme verhindert den unbeabsichtigten Start des Geräts.
- d) **Bewahren Sie unbenutzte Elektrowerkzeuge außerhalb der Reichweite von Kindern auf. Lassen Sie Personen das Gerät nicht benutzen, die mit diesem nicht vertraut sind oder diese Anweisungen nicht gelesen haben.** Elektrowerkzeuge sind gefährlich, wenn Sie von unerfahrenen Personen benutzt werden.
- e) **Pflegen Sie das Gerät mit Sorgfalt. Kontrollieren Sie, ob bewegliche Geräteteile einwandfrei funktionieren und nicht klemmen, ob Teile gebrochen oder so beschädigt sind, dass die Funktion des Gerätes beeinträchtigt ist. Lassen Sie beschädigte Teile vor dem Einsatz des Geräts reparieren.** Viele Unfälle haben ihre Ursache in schlecht gewarteten Elektrowerkzeugen.
- f) **Halten Sie Schneidwerkzeuge scharf und sauber.** Sorgfältig gepflegte Schneidwerkzeuge mit scharfen Schneidkanten verkleben sich weniger und sind leichter zu führen.
- g) **Verwenden Sie Elektrowerkzeug, Zubehör, Einsatzwerkzeuge usw. entsprechend diesen Anweisungen. Berücksichtigen Sie dabei die**

Arbeitsbedingungen und die auszuführende Tätigkeit. Der Gebrauch von Elektrowerkzeugen für andere als die vorgesehenen Anwendungen kann zu gefährlichen Situationen führen.

5) SERVICE

- a) **Lassen Sie Ihr Gerät nur von qualifiziertem Fachpersonal und nur mit Original-Ersatzteilen reparieren.** Damit wird sichergestellt, dass die Sicherheit des Geräts erhalten bleibt.

SICHERHEITSHINWEISE FÜR SCHLEIFER

- Beschädigungen durch Schrauben, Nägel und ähnliches an Ihrem Werkstück vermeiden; diese vor Arbeitsbeginn entfernen
- Das Kabel immer von umlaufenden Teilen des Werkzeuges fernhalten; das Kabel nach hinten vom Werkzeug weg führen
- **Sichern Sie das Werkstück** (ein mit Spannvorrichtungen oder Schraubstock festgehaltenes Werkstück ist sicherer gehalten als mit der Hand)
- Sobald Sie sich von Ihrem Werkzeug entfernen, sollte dieses ausgeschaltet werden und die sich bewegenden Teile vollkommen zum Stillstand gekommen sein
- Bei Benutzung von Verlängerungskabeln ist darauf zu achten, daß das Kabel vollständig abgerollt ist und eine Kapazität von 16 A hat
- Bei elektrischer oder mechanischer Fehlfunktion das Werkzeug sofort ausschalten und den Netzstecker ziehen
- SKIL kann nur dann die einwandfreie Funktion des Werkzeuges zusichern, wenn Original-Zubehör verwendet wird
- Der Benutzer dieses Werkzeuges sollte älter als 16 Jahre sein
- Der Geräuschpegel beim Arbeiten kann 85 dB(A) überschreiten; Gehörschutz tragen
- **Fassen Sie das Elektrowerkzeug nur an den isolierten Griffflächen an, da das Band mit seinem eigenen Netzkabel in Berührung kommen kann** (ein Einschneiden eines spannungsführenden Kabels kann zu einer Spannungsübertragung auf die ungeschützten Metallteile des Werkzeuges führen und kann so dem Bediener einen Stromschlag versetzen)
- Wird bei der Arbeit das Kabel beschädigt oder durchtrennt, Kabel nicht berühren, sondern sofort den Netzstecker ziehen
- Werkzeug nicht weiter verwenden, wenn das Kabel beschädigt ist; lassen Sie dieses von einem anerkannten Elektrofachmann ersetzen
- Stets nachprüfen, daß die Netzspannung mit der auf dem Typenschild des Werkzeuges angegebenen Spannung übereinstimmt (mit 230V oder 240V beschriftete Werkzeuge können auch an 220V betrieben werden)
- Dieses Werkzeug ist für Naßschleifen nicht geeignet
- **Bearbeiten Sie kein asbesthaltiges Material** (Asbest gilt als krebserregend)
- Staub von Materialien wie Farbe, die Blei enthält, einigen Holzarten, Mineralien und Metall kann schädlich sein (Kontakt mit oder Einatmen des Staubs kann zu allergischen Reaktionen und/oder Atemwegserkrankheiten beim Bediener oder Umstehenden führen); **tragen Sie eine Staubmaske und arbeiten Sie mit einem**

Staubabsaugungssystem, wenn ein solches angeschlossen werden kann

- Bestimmte Arten von Staub sind als karzinogen klassifiziert (beispielsweise Eichen- und Buchenholzstaub), insbesondere in Verbindung mit Zusätzen für die Holzvorbehandlung; **tragen Sie eine Staubmaske und arbeiten Sie mit einem Staubabsaugungssystem, wenn ein solches angeschlossen werden kann**
- Beachten Sie die für Ihr verwendetes Verbrauchsmaterial gültigen nationalen Staubschutzvorgaben
- Beim Schleifen von Metall entstehen Funken; verwenden Sie den Staubbeutel/die Staubbox/den Staubsauger nicht und halten Sie andere Personen sowie brennbare Materialien von Ihrem Arbeitsbereich fern
- Nicht mit dem laufenden Schleifband in Berührung kommen
- Verwenden Sie verschlissene, eingerissene oder stark zugesetzte Schleifbänder nicht weiter
- Tragen Sie Schutzhandschuhe, Schutzbrille, enganliegende Kleidung und Haarschutz (bei langen Haaren)
- **Ziehen Sie grundsätzlich den Netzstecker, bevor Sie beliebige Änderungen an den Einstellungen oder einen Zubehörwechsel vornehmen**

BEDIENUNG

- Ein/Aus-Schalter
 - das Werkzeug wird durch Druck auf/Loslassen von Schalter A ② ein-/ausgeschaltet
 - ! **bevor die Schleiffläche das Werkstück berührt, muß Ihr Werkzeug erst eingeschaltet werden**
 - ! **vor dem Ausschalten des Werkzeuges sollte dieses vom Werkstück abgenommen werden**
- Arretierung des Schalters für Dauerlauf
 - Schalter A ② drücken
 - Knopf B ② mit Ihrem Daumen drücken
 - Schalter lösen
 - lösen Sie die Feststellung durch wieder auf Schalter A ② zu drücken und diese dann loszulassen
- Schneller Wechsel von Schleifbändern (CLIC-System) ④
 - ! **Netzstecker ziehen**
 - Hebel C lösen
 - Schleifband herausnehmen
 - neues Schleifband einlegen mit den Pfeilen an der Innenseite des Bandes in gleicher Richtung zeigend wie der Pfeil D auf dem Werkzeug
 - Hebel zurückdrücken
 - ! **Schleifband rechtzeitig wechseln**
 - ! **Schleifband nie knicken**
- Automatische Bandzentrierung (ABC)
 - zentriert das Band beim Einschalten des Werkzeuges automatisch
 - hält das Band beim Schleifen zentriertWenn das Band vom Werkzeug wegläuft (zumeist durch mangelnde Bandqualität verursacht), sollten Sie
 - das Werkzeug einschalten
 - Schraube E ② drehen bis das Schleifband in etwa mit der Bandseitenfläche des Werkzeuges abschließt
 - ein neues Band benutzen, wenn das Band immer noch vom Werkzeug wegläuft

- Staubabsaugung ⑥
 - regelmäßige Entleerung der Staubbox G/des Staubbeutels F sorgt für optimale Staubaufnahme
 - beim Gebrauch des Werkzeuges mit Staubsauger, Staubsaugeranschluß H wie dargestellt montieren (1215)
 - gegebenenfalls auch das Filter laut Darstellung reinigen
 - ! **Staubbox/Staubbeutel/Staubsauger nicht beim Schleifen von Metall verwenden**
- Halten und Führen des Werkzeuges ⑥
 - halten Sie Ihr Werkzeug parallel zu der zu bearbeitenden Oberfläche
 - ! **Werkzeug beim Arbeiten immer am grauen Griffbereich fassen**
 - ! **nicht zu viel Druck auf das Werkzeug ausüben; lassen Sie die Schleiffläche für Sie arbeiten**
 - verkanten Sie das Werkzeug nicht, damit ungewollte Schleifspuren vermieden werden
 - Lüftungsschlitze J ② unbedeckt halten

ANWENDUNGSHINWEISE

- Für das Abschleifen von unbehandelten Holzoberflächen, bewegen Sie das Werkzeug in geraden Bewegungen entlang der Maserung
- Zum Schleifen anderer Oberflächen das Werkzeug in ovalen Bewegungen über das Material bewegen
- Zum Ausgleichen von Oberflächen ohne Kratzer oder Nuten den Schleifrahmen K (SKIL Zubehör 2610398244) montieren, und darauf achten, dass er sicher angebracht ist ⑦
 - ! **Schleifrahmen K wird bei Gebrauch heiß; nicht berühren, bevor er abgekühlt ist**
- Nie mit demselben Schleifband Holz und Metall bearbeiten
- Empfohlene Schleifbandkörnung
 - grob- zum Entfernen von Farbe; zum Schleifen von äußerst rohem Holz
 - mittel- zum Schleifen von Rohholz oder einfachem Holz
 - fein- zum Glätten von Holz; zum Abschleifen von unbehandeltem Holz; zum Glätten von Oberflächen mit alter Farbe
- Verwenden Sie verschiedene Körnunggröße wenn die zu bearbeitende Oberfläche roh ist:
 - schleifen Sie anfangs mit der Grob- oder Mittelkörnung
 - beenden Sie mit der Feinkörnung
- Für mehr Tips siehe www.skil.com

WARTUNG / SERVICE

- Dieses Werkzeug eignet sich nicht für den professionellen Einsatz
- Halten Sie Werkzeug und Kabel immer sauber (insbesondere die Lüftungsschlitze J ②)
 - anhaftenden Schleifstaub mit einem Pinsel entfernen
 - ! **Netzstecker vor dem Säubern ziehen**
- Sollte das Elektrowerkzeug trotz sorgfältiger Herstellungs- und Prüfverfahren einmal ausfallen, ist die Reparatur von einer autorisierten Kundendienststelle für SKIL-Elektrowerkzeuge ausführen zu lassen

- das Werkzeug **unzerlegt**, zusammen mit dem Kaufbeleg, an den Lieferer oder die nächste SKIL-Vertragswerkstätte senden (die Anschriften so wie die Ersatzteilzeichnung des Werkzeuges finden Sie unter www.skil.com)

UMWELT

- **Elektrowerkzeuge, Zubehör und Verpackungen nicht in den Hausmüll werfen** (nur für EU-Länder)
 - gemäss Europäischer Richtlinie 2012/19/EG über Elektro- und Elektronik- Altgeräte und Umsetzung in nationales Recht müssen nicht mehr gebrauchsfähige Elektrowerkzeuge getrennt gesammelt und einer umweltgerechten Wiederverwertung zugeführt werden
 - hieran soll Sie Symbol ③ erinnern

KONFORMITÄTSERKLÄRUNG CE

- Wir erklären in alleiniger Verantwortung, daß das unter "Technische Daten" beschriebene Produkt mit den folgenden Normen oder normativen Dokumenten übereinstimmt: EN 60745, EN 61000, EN 55014, gemäß den Bestimmungen der Richtlinien 2004/108/EG, 2006/42/EG, 2011/65/EU
- **Technische Unterlagen bei:** SKIL Europe BV (PT-SEU/ENG1), 4825 BD Breda, NL

Marijn van der Hoofden Olaf Dijkgraaf
Operations & Engineering Approval Manager




SKIL Europe BV, 4825 BD Breda, NL

09.12.2013

GERÄUSCH/VIBRATION

- Gemessen gemäß EN 60745 beträgt der Schalldruckpegel dieses Gerätes 87 dB(A) und der Schalleistungspegel 98 dB(A) (Standardabweichung: 3 dB), und die Vibration 2,1 m/s² (Hand-Arm Methode; Unsicherheit K = 1,5 m/s²)
 - Die Vibrationsemissionsstufe wurde mit einem standardisierten Test gemäß EN 60745 gemessen; Sie kann verwendet werden, um ein Werkzeug mit einem anderen zu vergleichen und als vorläufige Beurteilung der Vibrationsexposition bei Verwendung des Werkzeugs für die angegebenen Anwendungszwecke
 - die Verwendung des Werkzeugs für andere Anwendungen oder mit anderem oder schlecht gewartetem Zubehör kann die Expositionsstufe erheblich **erhöhen**
 - Zeiten, zu denen das Werkzeug ausgeschaltet ist, oder wenn es läuft aber eigentlich nicht eingesetzt wird, können die Expositionsstufe erheblich **verringern**
- ! schützen Sie sich vor den Auswirkungen der Vibration durch Wartung des Werkzeugs und des Zubehörs, halten Sie Ihre Hände warm und organisieren Sie Ihren Arbeitsablauf**

NL

Bandschuurmachine

1210/1215

INTRODUCTIE

- Deze machine is bestemd voor het droog schuren met een groot afnamevermogen van hout, kunststof, metaal, plamuur en gelakte oppervlakken
- Deze machine is niet bedoeld voor professioneel gebruik
- Lees en bewaar deze gebruiksaanwijzing ③

TECHNISCHE GEGEVENS ①

MACHINE-ELEMENTEN ②

- A Aan/uit schakelaar
- B Knop voor vergrendelen van aan/uit schakelaar
- C Hendel voor verwisselen van schuurband
- D Pijl
- E Schroef voor bijstellen van bandcentrering
- F Stofzak
- G Stofcontainer
- H Stofzuigeraansluitstuk
- J Ventilatie-openingen
- K Schuurraam

VEILIGHEID

ALGEMENE VEILIGHEIDSVoORSCHRIFTEN

⚠ LET OP! Lees alle veiligheids waarschuwingen en alle voorschriften. Als de waarschuwingen en voorschriften niet worden opgevolgd, kan dit een elektrische schok, brand of ernstig letsel tot gevolg hebben. **Bewaar alle waarschuwingen en voorschriften voor toekomstig gebruik.** Het in de waarschuwingen gebruikte begrip "elektrisch gereedschap" heeft betrekking op elektrische gereedschappen voor gebruik op het stroomnet (met netsnoer) en op elektrische gereedschappen voor gebruik met een accu (zonder netsnoer).

1) VEILIGHEID VAN DE WERKOMGEVING

- a) **Houd uw werkomgeving schoon en opgeruimd.** Een rommelige of onverlichte werkomgeving kan tot ongevallen leiden.
- b) **Werk met het gereedschap niet in een omgeving met explosiegevaar waarin zich brandbare vloeistoffen, gasen of stof bevinden.** Elektrische gereedschappen veroorzaken vonken die het stof of de dampen tot ontsteking kunnen brengen.
- c) **Houd kinderen en andere personen tijdens het gebruik van het elektrische gereedschap uit de buurt.** Wanneer u wordt afgeleid, kunt u de controle over het gereedschap verliezen.

2) ELEKTRISCHE VEILIGHEID

- a) **De aansluitstekker van het gereedschap moet in het stopcontact passen. De stekker mag in geen geval worden veranderd. Gebruik geen adapterstekkers in combinatie met geaarde gereedschappen.** Onveranderde stekkers en passende stopcontacten beperken het risico van een elektrische schok.

- b) **Voorkom aanraking van het lichaam met gearde oppervlakken, bijvoorbeeld van buizen, verwarmingen, fornuizen en koelkasten.** Er bestaat een verhoogd risico door een elektrische schok wanneer uw lichaam geaard is.
- c) **Houd het gereedschap uit de buurt van regen en vocht.** Het binnendringen van water in het elektrische gereedschap vergroot het risico van een elektrische schok.
- d) **Gebruik de kabel niet voor een verkeerd doel, om het gereedschap te dragen of op te hangen of om de stekker uit het stopcontact te trekken. Houd de kabel uit de buurt van hitte, olie, scherpe randen en bewegende gereedschapsdelen.** Beschadigde of in de war geraakte kabels vergroten het risico van een elektrische schok.
- e) **Wanneer u buitenshuis met elektrisch gereedschap werkt, dient u alleen verlengkabels te gebruiken die voor gebruik buitenshuis zijn goedgekeurd.** Het gebruik van een voor gebruik buitenshuis geschikte verlengkabel beperkt het risico van een elektrische schok.
- f) **Als het gebruik van het elektrische gereedschap in een vochtige omgeving onvermijdelijk is, dient u een aardlekschakelaar te gebruiken.** Het gebruik van een aardlekschakelaar vermindert het risico van een elektrische schok.

3) VEILIGHEID VAN PERSONEN

- a) **Wees alert, let goed op wat u doet en ga met verstand te werk bij het gebruik van het elektrische gereedschap. Gebruik het gereedschap niet wanneer u moe bent of onder invloed staat van drugs, alcohol of medicijnen.** Een moment van onoplettendheid bij het gebruik van het gereedschap kan tot ernstige verwondingen leiden.
- b) **Draag persoonlijke beschermende uitrusting en altijd een veiligheidsbril.** Het dragen van persoonlijke beschermende uitrusting zoals een stofmasker, slipvaste werkschoenen, een veiligheidshelm of gehoorbescherming, afhankelijk van de aard en het gebruik van het elektrische gereedschap, vermindert het risico van verwondingen.
- c) **Voorkom per ongeluk inschakelen. Controleer dat het elektrische gereedschap uitgeschakeld is voordat u de stekker in het stopcontact steekt of de accu aansluit en voordat u het gereedschap oppakt of draagt.** Wanneer u bij het dragen van het elektrische gereedschap uw vinger aan de schakelaar hebt of wanneer u het gereedschap ingeschakeld op de stroomvoorziening aansluit, kan dit tot ongevallen leiden.
- d) **Verwijder instelgereedschappen of schroefslutels voordat u het gereedschap inschakelt.** Een instelgereedschap of sleutel in een draaiend deel van het gereedschap kan tot verwondingen leiden.
- e) **Probeer niet ver te reiken. Zorg ervoor dat u stevig staat en steeds in evenwicht blijft.** Daardoor kunt u het gereedschap in onverwachte situaties beter onder controle houden.
- f) **Draag geschikte kleding. Draag geen loshangende kleding of sieraden. Houd haren, kleding en handschoenen uit de buurt van bewegende delen.** Loshangende kleding, sieraden en lange haren kunnen door bewegende delen worden meegenomen.

- g) **Wanneer stofafzuigings- of stofopvangvoorzieningen kunnen worden gemonteerd, dient u zich ervan te verzekeren dat deze zijn aangesloten en juist worden gebruikt.** Het gebruik van een stofafzuiging beperkt het gevaar door stof.

4) GEBRUIK EN ONDERHOUD VAN ELEKTRISCHE GEREEDSCHAPPEN

- a) **Overbelast het gereedschap niet. Gebruik voor uw werkzaamheden het daarvoor bestemde elektrische gereedschap.** Met het passende elektrische gereedschap werkt u beter en veiliger binnen het aangegeven capaciteitsbereik.
- b) **Gebruik geen elektrisch gereedschap waarvan de schakelaar defect is.** Elektrisch gereedschap dat niet meer kan worden in- of uitgeschakeld, is gevaarlijk en moet worden gerepareerd.
- c) **Trek de stekker uit het stopcontact of neem de accu uit het elektrische gereedschap voordat u het gereedschap instelt, toebehoren wisselt of het gereedschap weglegt.** Deze voorzorgsmaatregel voorkomt onbedoeld starten van het gereedschap.
- d) **Bewaar niet-gebruikte elektrische gereedschappen buiten bereik van kinderen. Laat het gereedschap niet gebruiken door personen die er niet mee vertrouwd zijn en deze aanwijzingen niet hebben gelezen.** Elektrische gereedschappen zijn gevaarlijk wanneer deze door onervaren personen worden gebruikt.
- e) **Verzorg het gereedschap zorgvuldig. Controleer of bewegende delen van het gereedschap correct functioneren en niet vastklemmen en of onderdelen zodanig gebroken of beschadigd zijn dat de werking van het gereedschap nadelig wordt beïnvloed. Laat beschadigde delen repareren voordat u het gereedschap gebruikt.** Veel ongevallen hebben hun oorzaak in slecht onderhouden elektrische gereedschappen.
- f) **Houd snijdende inzetgereedschappen scherp en schoon.** Zorgvuldig onderhouden snijdende inzetgereedschappen met scherpe snijkanten klemmen minder snel vast en zijn gemakkelijker te geleiden.
- g) **Gebruik elektrische gereedschappen, toebehoren, inzetgereedschappen en dergelijke volgens deze aanwijzingen. Let daarbij op de arbeidsomstandigheden en de uit te voeren werkzaamheden.** Het gebruik van elektrische gereedschappen voor andere dan de voorziene toepassingen kan tot gevaarlijke situaties leiden.

5) SERVICE

- a) **Laat het gereedschap alleen repareren door gekwalificeerd en vakkundig personeel en alleen met originele vervangingsonderdelen.** Daarmee wordt gewaarborgd dat de veiligheid van het gereedschap in stand blijft.

VEILIGHEIDSVoORSCHRIFTEN VOOR SCHUURMACHINES

- Voorkom schade, die kan ontstaan door schroeven, spijkers en andere voorwerpen in uw werkstuk; verwijder deze, voordat u aan een karwei begint
- Houd het snoer altijd verwijderd van de bewegende delen van uw machine; richt het snoer naar achteren, van de machine weg

- **Zet het werkstuk vast** (een werkstuk, dat is vastgezet met klemmen of in een bankschroef, zit steviger vast dan wanneer het met de hand wordt vastgehouden)
- Als u de machine wegzet moet de motor uitgeschakeld zijn en de bewegende delen tot stilstand zijn gekomen
- Gebruik volledig uitgerolde en veilige verlengsnoeren met een capaciteit van 16 Ampère
- In geval van elektrische of mechanische storing, de machine onmiddellijk uitschakelen en de stekker uit het stopcontact trekken
- SKIL kan alleen een correcte werking van de machine garanderen, indien originele accessoires worden gebruikt
- Deze machine mag niet worden gebruikt door personen onder de 16 jaar
- Tijdens het werken kan het geluidsniveau 85 dB(A) overschrijden; draag oorbeschermers
- **Houd de elektrische machine vast aan de geïsoleerde greepvlakken omdat de band contact kan maken met het snoer** (het doorslijpen van een onder spanning staande leiding zet ook de metalen delen van de elektrische machine onder spanning waardoor de gebruiker een schok kan krijgen)
- Raak het snoer niet aan, als dit tijdens de werkzaamheden wordt beschadigd of doorgesneden, maar trek onmiddellijk de stekker uit het stopcontact
- Gebruik de machine niet, wanneer het snoer beschadigd is; laat dit door een erkende vakman vervangen
- Controleer altijd of het voltage, dat vermeld staat op het typeplaatje van de machine, overeenkomt met de netspanning (met 230V of 240V aangeduide machines kunnen ook op 220V aangesloten worden)
- Deze machine is niet geschikt voor schuren met water
- **Bewerk geen asbesthoudend materiaal** (asbest geldt als kankerverwekkend)
- Stof van materiaal zoals loodhoudende verf, sommige houtsoorten, mineralen en metaal kunnen schadelijk zijn (contact met of inademing van de stof kan allergische reacties en/of ademhalingsziekten bij gebruiker of omstanders veroorzaken); **draag een stofmasker en werk met een stofopvang-voorziening als die kan worden aangesloten**
- Bepaalde soorten stof zijn geclassificeerd als kankerverwekkend (zoals stof van eiken en beuken), met name in combinatie met toevoegingsmiddelen voor houtverzorging; **draag een stofmasker en werk met een stofopvang-voorziening als die kan worden aangesloten**
- Neem voor de door u te bewerken materialen de nationale voorschriften aangaande stofopvang in acht
- Bij het schuren van metaal ontstaan vonken; gebruik de stofzak/stofcontainer/stofzuiger niet en houd andere personen en brandbaar materiaal van het werkgebied weg
- Kom niet in aanraking met de draaiende schuurband
- Gebruik versleten, gescheurde of ernstig beschadigde schuurbanden niet meer
- Draag beschermende handschoenen, veiligheidsbril, nauw sluitende kleding en haarbescherming (bij lange haren)
- **Trek altijd de stekker uit het stopcontact voordat u een instelling verandert of een accessoire verwisselt**

GEBRUIK

- Aan/uit schakelaar
 - zet uw machine aan/uit door schakelaar A ② in te drukken/los te laten
 - ! **voordat het schuuroppervlak in aanraking komt met het werkstuk, moet u de machine aanzetten**
 - ! **voordat u de machine uitschakelt, dient u deze van het werkstuk op te lichten**
- Vastzetten van schakelaar voor continu gebruik
 - druk trekker A ② in
 - druk op knop B ② met uw duim
 - laat trekker los
 - ontgrendel schakelaar door trekker A ② nog eens in te drukken en dan los te laten
- Snel verwisselen van schuurbanden (CLIC-systeem) ④
 - ! **trek de stekker uit het stopcontact**
 - licht hendel C op
 - verwijder schuurband
 - breng nieuwe schuurband aan met pijlen aan binnenkant van band in dezelfde richting wijzend als pijl D op machine
 - druk hendel weer op zijn plaats
 - ! **schuurband tijdig verwisselen**
 - ! **schuurband nooit wouwen**
- Automatische bandcentering (ABC)
 - centreert schuurband automatisch bij aanzetten van machine
 - houdt schuurband gecentreerd tijdens het schuren

Als schuurband van machine af loopt (meestal veroorzaakt door slechte kwaliteit van band)

 - zet de machine aan
 - stel schroef E ② zodanig in, dat schuurband parallel loopt met platte zijkant van machine
 - gebruik een nieuwe band, als de band van de machine af blijft lopen
- Stofafzuiging ⑤
 - ledig stofcontainer G/stofzak F regelmatig voor optimale stofafzuiging
 - bij gebruik van de machine met stofzuiger stofzuigeraansluitstuk H zoals afgebeeld bevestigen (1215)
 - maak ook het filter schoon, indien nodig
 - ! **gebruik stofcontainer/stofzak/stofzuiger niet bij het schuren van metaal**
- Vasthouden en leiden van de machine ⑥
 - geleid uw machine parallel aan het werkoppervlak
 - ! **houd de machine tijdens het werk altijd vast bij het(de) grijs-gekleurde greepvlak(ken)**
 - ! **oefen niet te veel druk uit op de machine; laat het schuuroppervlak het werk voor u doen**
 - zet uw machine niet schuin op het werkstuk ter voorkoming van ongewenste schuursporen
 - houd ventilatie-openingen J ② onbedekt

TOEPASSINGSADVIES

- Bij kale houten oppervlakken geeft een rechtlijnige beweging met de nerf van het hout mee het beste resultaat
- Bij alle andere oppervlakken de machine in ovale bewegingen over het materiaal bewegen

- Monteer schuurraam K (SKIL accessoire 2610398244) voor het egaliseren van oppervlakken zonder krassen of groeven, en zorg dat het stevig vast zit ⑦
! **schuurraam K wordt heel tijdens gebruik; raak het niet aan voordat het is afgekoeld**
- Gebruik nooit dezelfde schuurband voor hout en metaal
- Aanbevolen schuurbandkorrel:
 - grof- voor verwijderen van verf; voor schuren van uiterst ruw hout
 - middel- voor schuren van ruw of gewoon hout
 - fijn- voor glad maken van hout; voor afwerken van kaal hout; voor glad maken van oppervlakken met oude verf
- Gebruik verschillende korrelgroottes, wanneer het te schuren oppervlak ruw is:
 - begin te schuren met korrel grof of middel
 - eindig met korrel fijn
- Voor meer tips zie www.skil.com

ONDERHOUD / SERVICE

- Deze machine is niet bedoeld voor professioneel gebruik
- Houd machine en snoer altijd schoon (met name de ventilatie-openingen J ②)
 - veeg achtergebleven schuurstof met een kwast weg
- ! **trek de stekker uit het stopcontact vóór het reinigen**
- Mocht het elektrische gereedschap ondanks zorgvuldige fabricage- en testmethoden toch defect raken, dient de reparatie te worden uitgevoerd door een erkende klantenservice voor SKIL elektrische gereedschappen
 - stuur de machine **ongedemonteerd**, samen met het aankoopbewijs, naar het verkoopadres of het dichtstbijzijnde SKIL service-station (de adressen evenals de onderdeelentekening van de machine vindt u op www.skil.com)

MILIEU

- **Geef elektrisch gereedschap, accessoires en verpakkingen niet met het huisvuil mee** (alleen voor EU-landen)
 - volgens de Europese richtlijn 2012/19/EG inzake oude elektrische en elektronische apparaten en de toepassing daarvan binnen de nationale wetgeving, dient afgedankt elektrisch gereedschap gescheiden te worden ingezameld en te worden afgevoerd naar een recycle-bedrijf, dat voldoet aan de geldende milieu-eisen
 - symbool ③ zal u in het afdankstadium hieraan herinneren

CONFORMITEITSVERKLARING CE

- Wij verklaren als alleen verantwoordelijke, dat het onder "Technische gegevens" beschreven product voldoet aan de volgende normen of normatieve documenten: EN 60745, EN 61000, EN 55014, overeenkomstig de bepalingen van de richtlijnen 2004/108/EG, 2006/42/EG, 2011/65/EU

- **Technisch dossier bij:** SKIL Europe BV (PT-SEU/ENG1), 4825 BD Breda, NL

Marijn van der Hoofden
Operations & Engineering

Olaf Dijkgraaf
Approval Manager

SKIL Europe BV, 4825 BD Breda, NL

09.12.2013

GELUID/VIBRATIE

- Gemeten volgens EN 60745 bedraagt het geluidsdrumniveau van deze machine 87 dB(A) en het geluidsvermogen-niveau 98 dB(A) (standaard deviatie: 3 dB), en de vibratie 2,1 m/s² (hand-arm methode; onzekerheid K = 1,5 m/s²)
- Het trillingsemissieniveau is gemeten in overeenstemming met een gestandaardiseerde test volgens EN 60745; deze mag worden gebruikt om twee machines met elkaar te vergelijken en als voorlopige beoordeling van de blootstelling aan trilling bij gebruik van de machine voor de vermelde toepassingen
 - gebruik van de machine voor andere toepassingen, of met andere of slecht onderhouden accessoires, kan het blootstellingsniveau aanzienlijk **verhogen**
 - wanneer de machine is uitgeschakeld of wanneer deze loopt maar geen werk verricht, kan dit het blootstellingsniveau aanzienlijk **reduceren**
- ! **bescherm uzelf tegen de gevolgen van trilling door de machine en de accessoires te onderhouden, uw handen warm te houden en uw werkwijze te organiseren**

S

Bandslipmaskin

1210/1215

INTRODUKTION

- Denna maskin är avsedd för torr slipning vid hög nedslipningseffekt av trä, plast, metall, fyllmassa och målade ytor
- Det här verktyget är inte avsedd för yrkesmässig användning
- Läs och spara denna instruktionsbok ③

TEKNISKA DATA ①

VERKTYGSELEMENT ②

- A Till/från strömbrytare
- B Låsknapp för strömbrytare
- C Spak för slippbandsbyte
- D Pil
- E Skruv för bandcentering
- F Dammpås
- G Dammuppsamlare
- H Dammsugaradapter
- J Ventilationsöppningar
- K Slipram

SÄKERHET

ALLMÄNNA SÄKERHETSANVISNINGAR

⚠ OBS! Läs noga igenom alla anvisningar. Fel som uppstår till följd av att anvisningarna nedan inte följts kan orsaka elstöt, brand och/eller allvarliga kroppsskador.

Förvara alla varningar och anvisningar för framtida bruk. Nedan använt begrepp "elverktyg" hänför sig till nätdrivna elverktyg (med nätsladd) och till batteridrivna elverktyg (sladdlösa).

1) ARBETSPLATSSÄKERHET

- Håll arbetsplatsen ren och välbelyst.** Oordning på arbetsplatsen eller dåligt belyst arbetsområde kan leda till olyckor.
- Använd inte elverktyget i explosionsfarlig omgivning med brännbara vätskor, gaser eller damm.** Elverktygen alstrar gnistor som kan antända dammet eller gaserna.
- Håll under arbetet med elverktyget barn och obehöriga personer på betryggande avstånd.** Om du störs av obehöriga personer kan du förlora kontrollen över elverktyget.

2) ELEKTRISK SÄKERHET

- Elverktygets stickpropp måste passa till vägguttaget. Stickproppen får absolut inte förändras. Använd inte adapterkontakter tillsammans med skyddsjordade elverktyg.** Oförändrade stickproppar och passande vägguttag reducerar risken för elektriskt slag.
- Undvik kroppskontakt med jordade ytor som t. ex. rör, värmeelement, spisar och kylskåp.** Det finns en större risk för elektriskt slag om din kropp är jordad.
- Skydda elverktyget mot regn och väta.** Tränger vatten in i ett elverktyg ökar risken för elektriskt slag.
- Missbruka inte nätsladden och använd den inte för att bära eller hänga upp elverktyget och inte heller för att dra stickproppen ur vägguttaget. Håll nätsladden på avstånd från värme, olja, skarpa kanter och rörliga maskindelar.** Skadade eller tillrasslade ledningar ökar risken för elektriskt slag.
- När du arbetar med ett elverktyg utomhus använd endast förlängningssladdar som är godkända för utomhusbruk.** Om en lämplig förlängningssladd för utomhusbruk används minskar risken för elektriskt slag.
- Använd en jordfelsbrytare om det inte är möjligt att undvika elverktygets användning i fuktig miljö.** Genom att använda en jordfelsbrytare minskar risken för elstöt.

3) PERSONSÄKERHET

- Var uppmärksam, kontrollera vad du gör och använd elverktyget med förnuft. Använd inte elverktyget när du är trött eller om du är påverkad av droger, alkohol eller mediciner.** Under användning av elverktyg kan även en kort uppmärksamhet leda till allvarliga kroppsskador.
- Bär alltid personlig skyddsutrustning och skyddsglasögon.** Användning av personlig skyddsutrustning som t. ex. dammfiltermask, halkfria säkerhetsskor, skyddshjälm och hörselskydd reducerar alltefter elverktygets typ och användning risken för kroppsskada.

- Undvik oavsiktlig igångsättning. Kontrollera att elverktyget är fränkopplat innan du ansluter stickproppen till vägguttaget och/eller ansluter/tar bort batteriet, tar upp eller bär elverktyget.** Om du bär elverktyget med fingret på strömställaren eller ansluter påkopplat elverktyg till nätströmmen kan olycka uppstå.
 - Ta bort alla inställningsverktyg och skruvnycklar innan du kopplar på elverktyget.** Ett verktyg eller en nyckel i en roterande komponent kan medföra kroppsskada.
 - Överskatta inte din förmåga. Se till att du står stadigt och håller balansen.** I detta fall kan du lättare kontrollera elverktyget i oväntade situationer.
 - Bär lämpliga kläder. Bär inte löst hängande kläder eller smycken. Håll håret, kläderna och handskarna på avstånd från rörliga delar.** Löst hängande kläder, smycken och långt hår kan dras in av roterande delar.
 - Vid elverktyg med dammsugnings- och -uppsamlingsutrustning kontrollera att anordningarna är rätt monterade och används på korrekt sätt.** Användning av dammsugning minskar de risker damm orsakar.
- ### 4) OMSORGSFULL HANTERING OCH ANVÄNDNING AV ELVERKTYG
- Överbelasta inte elverktyget. Använd för aktuellt arbete avsett elverktyg.** Med ett lämpligt elverktyg kan du arbeta bättre och säkrare inom angivet effektområde.
 - Ett elverktyg med defekt strömställare får inte längre användas.** Ett elverktyg som inte kan kopplas in eller ur är farligt och måste repareras.
 - Driv stickproppen ur vägguttaget och/eller ta bort batteriet innan inställningar utförs, tillbehörsdelar byts ut eller elverktyget lagras.** Denna skyddsåtgärd förhindrar oavsiktlig inkoppling av elverktyget.
 - Förvara elverktygen oätkomliga för barn. Låt elverktyget inte användas av personer som inte är förtrogna med dess användning eller inte läst denna anvisning.** Elverktygen är farliga om de används av oerfarna personer.
 - Sköt elverktyget omsorgsfullt. Kontrollera att rörliga komponenter fungerar felfritt och inte kärvar, att komponenter inte brustit eller skadats; orsaker som kan leda till att elverktygets funktioner påverkas menligt. Låt skadade delar repareras innan elverktyget återanvänds.** Många olyckor orsakas av dåligt skötta elverktyg.
 - Håll skärverktygen skarpa och rena.** Omsorgsfullt skötta skärverktyg med skarpa eggar kommer inte så lätt i kläm och går lättare att styra.
 - Använd elverktyget, tillbehör, insatsverktyg osv. enligt dessa anvisningar. Ta hänsyn till arbetsvillkoren och arbetsmomenten.** Används elverktyget på icke ändamålsenligt sätt kan farliga situationer uppstå.

5) SERVICE

- Låt elverktyget repareras endast av kvalificerad fackpersonal och med originalreservdelar.** Detta garanterar att elverktygets säkerhet upprätthålls.

SÄKERHETSANVISNINGAR FÖR SLIPMASKINER

- Undvik skador genom att ta bort skruvar, spikar eller andra föremål ur arbetsstycket; ta dem bort innan du startar ett arbete
- Håll alltid sladden på säkert avstånd från rörliga maskindelar; för sladden bakåt bort från maskinen
- **Sätt fast arbetsstycket** (ett arbetsstycke fastsatt med skruvtingar eller i ett skruvstöd är mera stabilt än om det hålls fast för hand)
- När du ställer ifrån dig maskinen måste motorn vara frånslagen och de rörliga delarna ska ha stannat fullständigt
- Använd helt uttrullade och säkra förlängningsladdar med kapacitet på 16 A
- I händelse av onormala elektriska eller mekaniska störningar, stäng genast av maskinen och dra ur stickkontakten
- SKIL kan endast garantera att maskinen fungerar felfritt om originaltillbehör används
- Den här maskinen ska inte användas av personer under 16 år
- Ljudnivån vid arbete kan överskrida 85 dB(A); använd hörselskydd
- **Håll det elektriska verktyget i de isolerade handtagen/ytorna eftersom bandet kan komma i kontakt med elsladden** (om en strömförande sladd skadas kan metalldelar i verktyget också bli strömförande vilket kan ge användaren en elektrisk stöt)
- Skadas eller kapas nätsladden under arbetet, rör inte vid sladden utan dra genast ut stickkontakten
- Använd ej maskinen om sladden är trasig; låt den byta ut av en kvalificerad person
- Kontrollera alltid att den tillförda strömtypen stämmer med spänningen som anges på maskinens märkplåt (maskiner med beteckningen 230V eller 240V kan även anslutas till 220V)
- Denna maskin är inte lämplig till vattenslipning
- **Asbesthaltigt material får inte bearbetas** (asbest anses vara cancerframkallande)
- Vissa typ av damm, exempelvis färg som innehåller bly, vissa träsorter, mineraler och metaller kan vara hälsovådliga om de inhaleras (hudkontakt eller inandning kan ge allergisk reaktion och/eller luftvägsproblem/sjukdom hos personer i närheten); **använd andningsskydd och arbeta med en dammuppsamlare om sådan anslutning finns**
- Vissa typer av damm är klassificerade så som carcinogena (t.ex. ek- och björkdamm) särskilt i kombination med tillsatser för träbehandling; **använd andningsskydd och arbeta med en dammuppsamlare om sådan anslutning finns**
- Följ de nationella krav, som finns angående damm, för de material du skall arbeta med
- Vid slipning av metall bildas gnistor; använd inte dammpåsen/dammuppsamlaren/dammsugare och håll andra personer och antändbart material på avstånd från arbetsområdet
- Berör inte roterande slipband
- Förslitna, rivna eller kraftigt igensatta slipband får ej användas

- Använd skyddshandskar, skyddsglasögon, åtsittande kläder och härmät (för långt hår)
- **Dra alltid ur stickkontakten från väggurtaget innan du gör någon justering eller byter tillbehör**

ANVÄNDNING

- Till/från strömbrytare
 - starta/stäng av maskinen genom att trycka in/släppa på avtryckaren A ②
 - **! innan sliptyn sätts till arbetsstycket skall maskinen ha startats**
 - **! maskinen skall tas bort från arbetsstycket innan den stängs av**
 - Låsning av strömbrytare för kontinuerlig drift
 - tryck in avtryckaren A ②
 - tryck in knappen B ② med tummen
 - släpp avtryckaren
 - koppla ur låsningen genom att trycka in avtryckaren A ② en gång till och sedan släppa den igen
 - Snabbbyte av slipband (CLIC system) ④
 - **! drag ur stickkontakten**
 - lyft spaken C
 - tag bort slipbandet
 - sätt i det nya bandet med pilen, som finns på innersidan av bandet, pekande i samma riktning som pilen D på maskinen
 - tryck tillbaka spaken
 - **! byt slipbanden i tid**
 - **! knäck aldrig slipbanden**
 - Automatisk slipbandcentrering (ABC)
 - centererar automatiskt slipbandet när maskinen kopplas på
 - håller bandet centrerat under slipningen
- Om bandet lossnar från maskinen (oftast på grund av låg bandkvalitet) gör du följande:
- starta maskinen
 - justera skruven E ② tills slipbandet sitter i linje med utsidan av maskinen
 - använd ett nytt band om bandet lossnar igen
- Dammuppsugning ⑤
 - töm dammuppsamlaren G/dammpåsen F regelbundet för att få bäst dammuppsugning
 - vid användning av maskinen med dammsugare, monter dammsugartillbehör H som bilden visar (1215)
 - rengör också vid behov filtret, enligt bilden
 - **! använd inte dammuppsamlaren/dammpåsen/dammsugare när du slipar metall**
 - Fattning och styrning av maskinen ⑥
 - styr maskinen parallellt mot arbetsytan
 - **! under arbetet, håll alltid verktyget i det grå greppet**
 - **! lägg inte för mycket tryck på maskinen; låt sliptyn göra arbetet åt dig**
 - luta ej maskinen för att unvika oönskade slipmärken
 - håll ventilationsöppningarna J ② ej övertäckta

ANVÄNDNINGSTIPS

- Vid slipning av naturträ som ej ska efterbehandlas, ska maskinen föras långs med ådringen i virket
- Vid slipning av alla andra ytor skall maskinen röras i ovala rörelser över slipmaterialet

- Montera slipramen K (SKIL tillbehör 2610398244) för planslipning av ytor, utan repor och spår, och se till att den sitter stadigt ⑦
- ! **slipram K blir varm under användningen; vidrör den inte förrän den har svalnat**
- Använd aldrig samma slipband för trä och metall
- Rekommenderade slipbandkorn:
 - grov- vid borttagning av färg; vid slipning av extremt ohyvlat trä
 - medium- vid slipning av hyvlat eller ohyvlat trä
 - fin- vid fin-bearbetning av trä; vid yt-behandling av naturträ; vid fin-slipning av ytor med gammal färg
- Använd olika korn vid arbete med ohyvlade ytor:
 - börja slipa med grov eller medium korn
 - avsluta med fin korn
- För fler tips se www.skil.com

UNDERHÅLL / SERVICE

- Det här verktyget är inte avsedd för yrkesmässig användning
- Håll alltid din maskin och sladden ren (speciellt ventilationsöppningarna J ②)
 - avlägsna med en pensel slipdamm som sätter sig på maskinen
- ! **drag ur stickkontakten innan rengöring**
- Om i elverktyget trots exakt tillverkning och sträng kontroll störning skulle uppstå, bör reparation utföras av auktoriserad serviceverkstad för SKIL elverktyg
 - sänd in verktyget i **odemonterat skick** tillsammans med inköpsbevis till försäljaren eller till närmaste SKIL serviceverkstad (adresser till servicestationer och sprängskisser av maskiner finns på www.skil.com)

MILJÖ

- **Elektriska verktyg, tillbehör och förpackning får inte kastas i hushållssoporna** (gäller endast EU-länder)
 - enligt direktivet 2012/19/EG som avser äldre elektrisk och elektronisk utrustning och dess tillämpning enligt nationell lagstiftning ska uttjänta elektriska verktyg sorteras separat och lämnas till miljövänlig återvinning
 - symbolen ⑥ kommer att påminna om detta när det är tid att kassera

FÖRSÄKRAN OM ÖVERENSSTÄMMELSE C €

- Vi försäkrar härmed under exklusivt ansvar att denna produkt som beskrivs i "Tekniska data" överensstämmer med följande normer eller normativa dokument: EN 60745, EN 61000, EN 55014, enligt bestämmelserna i direktiven 2004/108/EG, 2006/42/EG, 2011/65/EU

- **Teknisk tillverkningsdokumentation finns hos:**
SKIL Europe BV (PT-SEU/ENG1), 4825 BD Breda, NL

Marijn van der Hoofden
Operations & Engineering

Olaf Dijkgraaf
Approval Manager




SKIL Europe BV, 4825 BD Breda, NL

09.12.2013

LJUD/VIBRATION

- Ljudtrycksnivån som uppmätts enligt EN 60745 är på denna maskin 87 dB(A) och ljudeffektnivån 98 dB(A) (standard deviation: 3 dB), och vibration 2,1 m/s² (hand-arm metod; onoggrannhet K = 1,5 m/s²)
- Vibrationsemissionsvärdet har uppmätts enligt ett standardiserat test i enlighet med EN 60745; detta värde kan användas för att jämföra vibrationen hos olika verktyg och som en ungefärlig uppskattning av hur stor vibration användaren utsätts för när verktyget används enligt det avsedda syftet
 - om verktyget används på ett annat än det avsedda syftet eller med fel eller dåligt underhållna tillbehör kan detta drastiskt **öka** vibrationsnivån
 - när verktyget stängs av eller är på men inte används, kan detta avsevärt **minska** vibrationsnivån
- ! **skydda dig mot vibration genom att underhålla verktyget och dess tillbehör, hålla händerna varma och styra upp ditt arbetssätt**

DK

Båndpudser

1210/1215

INLEDNING

- Dette værktøj er beregnet til tør slibning med stor afslibningsevne af træ, plast, metal, spartelmasse og lakerede overflader
- Dette værktøj er ikke beregnet til professionelt brug
- Læs og gem denne betjeningsvejledning ③

TEKNISKE DATA ①

VÆRKTØJETS DELE ②

- A Taend/sluk afbryder
- B Knap til fastlåsning af taend/sluk afbryderen
- C Arm til skift af slibebånd
- D Pål
- E Skrue til justering af båndcentering
- F Støvpose
- G Støvboks
- H Støvsugeradaptore
- J Ventilationshuller
- K Sliberamme

SIKKERHED

GENERALE SIKKERHEDSINSTRUKSER

⚠ VIGTIGT! Læs alle advarselshenvisninger og instrukser. I tilfælde af manglende overholdelse af advarselshenvisningerne og instrukserne er der risiko for elektrisk stød, brand og/eller alvorlige kvæstelser. **Opbevar alle advarselshenvisninger og instrukser til senere brug.** Det i advarselshenvisningerne benyttede begreb "el værktøj" refererer til netdrevet el værktøj (med netkabel) og akkudrevet el værktøj (uden netkabel).

1) SIKKERHED PÅ ARBEJDSPLADSEN

- Sørg for, at arbejdsområdet er rent og ryddeligt.**
Uorden eller uoplyste arbejdsområder øger faren for uheld.
- Brug ikke maskinen i eksplosionstruede omgivelser, hvor der er brændbare væsker, gasser eller støv.**
El-værktøj kan slå gnister, der kan antænde støv eller dampe.
- Sørg for, at andre personer og ikke mindst børn holdes væk fra arbejdsområdet, når maskinen er i brug.** Hvis man distraheres, kan man miste kontrollen over maskinen.

2) ELEKTRISK SIKKERHED

- Maskinens stik skal passe til kontakten. Stikket må under ingen omstændigheder ændres. Brug ikke adapterstik sammen med jordforbundne maskiner.**
Uændrede stik, der passer til kontakterne, nedsætter risikoen for elektrisk stød.
- Undgå kropskontakt med jordforbundne overflader som f.eks. rør, radiatorer, komfurer og køleskabe.**
Hvis din krop er jordforbundet, øges risikoen for elektrisk stød.
- Maskinen må ikke udsættes for regn eller fugt.**
Indtrængning af vand i maskinen øger risikoen for elektrisk stød.
- Brug ikke ledningen til formål, den ikke er beregnet til (f.eks. må man aldrig bære maskinen i ledningen, hænge maskinen op i ledningen eller rykke i ledningen for at trække stikket ud af kontakten). Beskyt ledningen mod varme, olie, skarpe kanter eller maskindele, der er i bevægelse.** Beskadigede eller indviklede ledninger øger risikoen for elektrisk stød.
- Hvis maskinen benyttes i det fri, må der kun benyttes en forlængerledning, der er godkendt til udendørs brug.** Brug af forlængerledning til udendørs brug nedsætter risikoen for elektrisk stød.
- Hvis det ikke kan undgås at bruge maskinen i fugtige omgivelser, skal der bruges et HFI-relæ.** Brug af et HFI-relæ reducerer risikoen for at få elektrisk stød.

3) PERSONLIG SIKKERHED

- Det er vigtigt at være opmærksom, se, hvad man laver, og bruge maskinen fornuftigt. Man bør ikke bruge maskinen, hvis man er træt, har nydt alkohol eller er påvirket af medicin eller euforiserende stoffer.** Få sekunders uopmærksomhed ved brug af maskinen kan føre til alvorlige personskader.
- Brug beskyttelsesudstyr og hav altid beskyttelsesbriller på.** Brug af sikkerhedsudstyr som f. eks. støvmaske, skridsikret fodtøj, beskyttelseshjelm

eller høreværn afhængig af maskintype og anvendelse nedsætter risikoen for personskader.

- Undgå utilsigtet igangsætning. Kontrollér, at el værktøjet er slukket, før du tilslutter det til strømtilførslen og/eller akkuen, løfter eller bærer det.** Undgå at bære el værktøjet med fingeren på afbryderen og sørg for, at el værktøjet ikke er tændt, når det slutes til nettet, da dette øger risikoen for personskader.
 - Fjern indstillingsværktøj eller skruenøgle, inden maskinen tændes.** Hvis et stykke værktøj eller en nøgle sidder i en roterende maskindel, er der risiko for personskader.
 - Overvurder ikke dig selv. Sørg for at stå sikkert, mens der arbejdes, og kom ikke ud af balance.** Det er derved nemmere at kontrollere maskinen, hvis der skulle opstå uventede situationer.
 - Brug egnet arbejdstøj. Undgå løse beklædningsgenstande eller smykker. Hold hår, tøj og handsker væk fra dele, der bevæger sig.** Dele, der er i bevægelse, kan gribe fat i løstsiddende tøj, smykker eller langt hår.
 - Hvis støvudsugnings- og opsamlingsudstyr kan monteres, er det vigtigt, at dette tilsluttes og benyttes korrekt.** Brug af en støvopsugning nedsætter risikoen for personskader som følge af støv.
- ### 4) OMHYGGELIG OMGANG MED OG BRUG AF EL-VÆRKTØJ
- Undgå overbelastning af maskinen. Brug altid en maskine, der er beregnet til det stykke arbejde, der skal udføres.** Med den rigtige maskine arbejder man bedst og mest sikkert inden for det angivne effektområde.
 - Brug ikke en maskine, hvis afbryder er defekt.** En maskine, der ikke kan startes og stoppes, er farlig og skal repareres.
 - Træk stikket ud af stikkontakten og/eller fjern akkuen, inden maskinen indstilles, der skiftes tilbehørsdele, eller maskinen lægges fra.** Disse sikkerhedsforanstaltninger forhindrer utilsigtet start af maskinen.
 - Opbevar ubenyttet el-værktøj uden for børns rækkevidde. Lad aldrig personer, der ikke er fortrolige med maskinen eller ikke har gennemlæst disse instrukser, benytte maskinen.** El-værktøj er farligt, hvis det benyttes af ukundige personer.
 - Maskinen bør vedligeholdes omhyggeligt. Kontroller, om bevægelige dele fungerer korrekt og ikke sidder fast, og om delene er brækket eller beskadiget, således at maskinens funktion påvirkes. Få beskadigede dele repareret, inden maskinen tages i brug.** Mange uheld skyldes dårligt vedligeholdte maskiner.
 - Sørg for, at skæreværktøjet er skarpe og rene.** Omhyggeligt vedligeholdte skæreværktøjet med skarpe skærekanten sætter sig ikke så hurtigt fast og er nemmere at føre.
 - Brug el-værktøj, tilbehør, indsatsværktøj osv. iht. disse instrukser. Tag hensyn til arbejdsforholdene og det arbejde, der skal udføres.** I tilfælde af anvendelse af værktøjet til formål, som ligger uden for det fastsatte anvendelsesområde, kan der opstå farlige situationer.

5) SERVICE

- a) **Sørg for, at maskinen kun reparerer af kvalificerede fagfolk, og at der kun benyttes originale reservedele.** Dermed sikres størst mulig maskinsikkerhed.

SIKKERHEDSINSTRUKSER FOR SLIBEMASKINER

- Undgå skader forårsaget af skruer, søm eller andre materialer i arbejdsstykket; fjern disse før De begynder at arbejde
- Hold altid ledningen væk fra værktøjets bevægelige dele; før altid ledningen bagud, væk fra værktøjet
- **Fastgør emnet** (det er sikrere at holde emner i en fastgøringsanordning eller skruestik end med hånden)
- Efter endt arbejde skal afbryderen afbrydes og alle bevægelige dele være stoppet før værktøjet sættes til side
- Anvend helt udrullede og sikre forlængerledninger med en kapacitet på 16 A
- I tilfælde af elektrisk eller mekanisk fejlfunktion skal afbryderen straks afbrydes og stikket tages ud af kontakten
- SKIL kan kun sikre en korrekt funktion af værktøjet, hvis der benyttes originalt tilbehør
- Dette værktøj må ikke bruges af personer under 16 år
- Under arbejde med værktøjet kan lydniveauet overstige 85 dB(A); brug høreværn
- **Hold elværktøjet i de isolerede greb, fordi båndet kan berøre sin egen ledning** (hvis der slibes i et "levende" kabel, kan det gøre udsatte metaldele på elværktøjet "levende" og kan give operatøren elektrisk stød)
- Hvis kablet beskadiges eller skæres over under arbejdet, ikke berør kablet, og straks træk ud stikket
- Brug ikke værktøjet, hvis kablet er beskadiget; få det skiftet ud af en anerkendt fagmand
- Kontrollér altid at forsyningsspændingen er den samme som den spænding, der er anført på værktøjets navneskilt (værktøj med betegnelsen 230V eller 240V kan også tilsluttes til 220V)
- Denne værktøj er ikke egnet til vandslibning
- **Bearbejd ikke asbestholdigt materiale** (asbest er kræftfremkaldende)
- Støv fra materiale som f.eks. maling, der indeholder bly, nogle træsorter, mineraler og metal kan være skadeligt (kontakt med eller indånding af støvet kan forårsage allergiske reaktioner og/eller sygdomme i luftvejene hos den, der anvender værktøjet, eller hos omkringstående); **bær en støvmaske og arbejd med en støvudsugningsanordning, hvor en sådan kan sluttes til**
- Visse slags støv er klassificeret som kræftfremkaldende (som f.eks. støv fra eg og bøg) især i forbindelse med tilsætningsstoffer til træbehandling; **bær en støvmaske og arbejd med en støvudsugningsanordning, hvor en sådan kan sluttes til**
- Følg de nationale krav, hvad angår støv, for de materialer, du ønsker at arbejde med
- Ved slibning af metal, opstår gnister; brug ikke støvpose/støvboks/støvsuger og hold andre personer, såvel som brandbare materialer væk fra arbejdsstedet
- Undgå berøring med det løbende slibebånd

- Slidte, revnede eller hårdt angrebne slibebånd må ikke benyttes
- Bær beskyttelseshandsker, beskyttelsesbriller, tætsiddende tøj og hårbeskyttelse (for langt hår)
- **Fjern altid først stikket fra kontakten, før De foretager nogle ændringer eller skifter tilbehør**

BETJENING

- Tænd/sluk afbryder
 - start/sluk værktøj ved at trække/slippe aftrækker A ②
 - ! **tænd for værktøjet før det berører arbejdsemnet**
 - ! **før der slukkes for værktøjet, skal det løftes op fra arbejdsemnet**
- Fastlåsning af afbryderen til vedvarende drift
 - træk aftrækker A ②
 - tryk knappen B ② ind med tommelfingeren
 - giv slip på aftrækkeren
 - fastlåsningen udløses ved at trække på aftrækker A ② igen og derefter slippe den
- Hurtigt skift af slibebånd (CLIC system) ④
 - ! **træk stikket ud af kontakten**
 - løft armen C
 - aftag slibebåndet
 - påsæt nyt bånd med pilen D trykt på indersiden af båndet pegende i samme retning som pilen på værktøjet
 - tryk armen på plads igen
 - ! **skift slibebånd i tide**
 - ! **knæk ikke slibebånd**
- Automatisk centrering af slibebånd (ABC)
 - slibebåndet centrerer automatisk, når der tændes for værktøjet
 - holder slibebåndet centreret under slibning
 - I tilfælde af at slibebåndet løber af værktøjet (skyldes hovedsagelig dårlig kvalitet af slibebånd), gøres følgende
 - tænd værktøjet
 - juster med skruen E ② indtil båndet kører parallelt med værktøjets flade side
 - brug et nyt slibebånd, hvis båndet stadig løber af værktøjet
- Støvopsugning ⑤
 - tøm støvboks G/støvpose F med regelmæssige mellemrum for optimal støvopsugning
 - når værktøjet benyttes med støvsuger, monter støvsugeradapter H som vist på tegningen (1215)
 - rens også filteret som vist, når det er nødvendigt
 - ! **brug ikke støvboks/støvpose/støvsuger når metal slibes**
- Håndtering og styring af værktøjet ⑥
 - hold altid værktøjet parallelt med emnets overflade
 - ! **under arbejde, hold altid om værktøjet på de grå markerede grebsområde(r)**
 - ! **pres ikke for hårdt på værktøjet; lad slibefladen gøre arbejdet for dig**
 - rejs ikke dit værktøj lodret, hvis slibemærker i emnet vil undgås
 - hold ventilationshullerne J ② utildækkede

GODE RÅD

- Ved slibning af ubehandlet træ, anbefales at slibe langs med årener i træet
- Ved slibning af alle andre flader bør værktøjet bevæges i ovale bevægelser over materialet
- Monter sliberammen K (SKIL tilbehør 2610398244) for at glatte fladerne uden skrammer eller fordybninger, og sørg for at den sidder godt fast ⑦
- ! **sliberamme K bliver meget varm under brug, rør ikke ved den før den er kølet af**
- Brug aldrig det samme slibebånd til slibning af metal og træ
- Anbefalet slibebåndkorn:
 - gro - ved else af maling; ved slibning af meget ru træ
 - mellem- ved slibning af ru eller almindelig træ
 - fin - ved pudsnings af træ; ved finpudsnings af ubehandlet træ; for pudsnings af overflader med gammel maling
- Brug forskellige kornstørrelser når arbejdsemnets overflade er ru
 - begynd at slibe med en grov eller mellem kornstørrelse
 - slut med en fin kornstørrelse
- For flere tips se www.skil.com

VEDLIGEHOLDELSE/SERVICE

- Dette værktøj er ikke beregnet til professionelt brug
- Hold værktøjet og ledningen ren (især ventilationshullerne J ②)
 - fjern fasthængende slibestøv med en pensel
- ! **træk stikket ud før rensning**
- Skulle el værktøjet trods omhyggelig fabrikation og kontrol holde op med at fungere, skal reparationen udføres af et autoriseret serviceværksted for SKIL-elektroværktøj
 - send den **uskilte** værktøjet sammen med et købsbevis til forhandleren eller nærmeste SKIL serviceværksted (adresser og reservedelstegning af værktøjet findes på www.skil.com)

MILJØ

- **Elværktøj, tilbehør og emballage må ikke bortkaffes som almindeligt affald** (kun for EU-lande)
 - i henhold til det europæiske direktiv 2012/19/EF om bortskaffelse af elektriske og elektroniske produkter og gældende national lovgivning, skal brugt elværktøj indsamles separat og bortkaffes på en måde, der skåner miljøet mest muligt
 - symbolet ⑧ erindrer dig om dette, når udskiftning er nødvendig

OVERENSSTEMMELSESERKLÆRING CE

- Vi erklærer under almindeligt ansvar, at det produkt, der er beskrevet under "Tekniske data", er i overensstemmelse med følgende standarder eller normative dokumenter: EN 60745, EN 61000, EN 55014, i henhold til bestemmelserne i direktiverne 2004/108/EF, 2006/42/EF, 2011/65/EU

- **Teknisk dossier hos:** SKIL Europe BV (PT-SEU/ENG1), 4825 BD Breda, NL

Marijn van der Hoofden Olaf Dijkgraaf
Operations & Engineering Approval Manager

SKIL Europe BV, 4825 BD Breda, NL

09.12.2013

STØJ/VIBRATION

- Måles efter EN 60745 er lydtrykniveau af dette værktøj 87 dB(A) og lyd effektniveau 98 dB(A) (standard deviation: 3 dB), og vibrationsniveauet 2,1 m/s² (hånd-arm metoden; usikkerhed K = 1,5 m/s²)
- Det vibrationsniveau er målt i henhold til den standardiserede test som anført i EN 60745; den kan benyttes til at sammenligne to stykker værktøj og som en foreløbig bedømmelse af udsættelsen for vibrationer, når værktøjet anvendes til de nævnte formål
 - anvendes værktøjet til andre formål eller med andet eller dårligt vedligeholdet tilbehør, kan dette **øge** udsættelsesniveauet betydeligt
 - de tidsrum, hvor værktøjet er slukket, eller hvor det kører uden reelt at udføre noget arbejde, kan **reducere** udsættelsesniveauet betydeligt
- ! **beskyt dig selv imod virkningerne af vibrationer ved at vedligeholde værktøjet og dets tilbehør, ved at holde dine hænder varme og ved at organisere dine arbejdsmønstre**

N

Båndsliper

1210/1215

INTRODUKSJON

- Dette verktøyet er beregnet til tørr sliping med høy slipeeffekt av tre, plast, metall, sparkelmasse og lakkerte overflater
- Dette verktøyet er ikke beregnet på profesjonell bruk
- Les og ta vare på denne brukerveiledningen ③

TEKNISKE DATA ①

VERKTØYELEMENTER ②

- A Av/på bryter
- B Knapp til låsing av av/på-bryter
- C Hendel til skifting av slipebånd
- D Pål
- E Skruer til sentrering av båndet
- F Støvpøse
- G Støvboks
- H Støvsugeradapter
- J Ventilasjonsåpninger
- K Sliperamme

SIKKERHET

GENERELLE SIKKERHETSANVISNINGER

⚠ OBS! Les gjennom alle advarslene og anvisningene.

Feil ved overholdelsen av advarslene og nedenstående anvisninger kan medføre elektriske støt, brann og/eller alvorlige skader. **Ta godt vare på alle advarslene og informasjonene.** Det nedenstående anvendte uttrykket "elektroverktøy" gjelder for strømdrevne elektroverktøy (med ledning) og batteridrevne elektroverktøy (uten ledning).

1) SIKKERHET PÅ ARBEIDSPLASSEN

- Hold arbeidsområdet rent og ryddig.** Rotete arbeidsområder eller arbeidsområder uten lys kan føre til ulykker.
- Ikke arbeid med maskinen i eksplosjonsutsatte omgivelser – der det befinner seg brennbare væsker, gass eller støv.** Elektroverktøy lager gnister som kan antenne støv eller damper.
- Hold barn og andre personer unna når elektroverktøyet brukes.** Hvis du blir forstyrret under arbeidet, kan du miste kontrollen over maskinen.

2) ELEKTRISK SIKKERHET

- Støpselet til maskinen må passe inn i stikkkontakten. Støpselet må ikke forandres på noen som helst måte. Ikke bruk adapterstøpsler sammen med jordede maskiner.** Bruk av støpsler som ikke er forandret på og passende stikkontakter reduserer risikoen for elektriske støt.
- Unngå kroppskontakt med jordede overflater slik som rør, ovner, komfyrer og kjøleskap.** Det er større fare ved elektriske støt hvis kroppen din er jordat.
- Hold maskinen unna regn eller fuktighet.** Dersom det kommer vann i et elektroverktøy, øker risikoen for elektriske støt.
- Ikke bruk ledningen til andre formål, f.eks. til å bære maskinen, henge den opp eller trekke den ut av stikkkontakten.** Hold ledningen unna varme, olje, skarpe kanter eller maskindeler som beveger seg. Med skadede eller opphopede ledninger øker risikoen for elektriske støt.
- Når du arbeider utendørs med et elektroverktøy, må du kun bruke en skjoteledning som er godkjent til utendørs bruk.** Når du bruker en skjoteledning som er egnet for utendørs bruk, reduseres risikoen for elektriske støt.
- Hvis det ikke kan unngås å bruke elektroverktøyet i fuktige omgivelser, må du bruke en jordfeilbryter.** Bruk av en jordfeilbryter reduserer risikoen for elektriske støt.

3) PERSONSIKKERHET

- Vær oppmerksom, pass på hva du gjør, gå fornuftig frem når du arbeider med et elektroverktøy. Ikke bruk maskinen når du er trett eller er påvirket av narkotika, alkohol eller medikamenter.** Et øyeblikks uoppmerksomhet ved bruk av maskinen kan føre til alvorlige skader.
- Bruk personlig verneutstyr og husk alltid å bruke vernebriller.** Bruk av personlig sikkerhetsutstyr som støvmaske, sklifaste arbeidssko, hjelm eller hørselvern – avhengig av type og bruk av elektroverktøyet – reduserer risikoen for skader.
- Unngå å starte verktøyet ved en feiltagelse. Forvis deg om at elektroverktøyet er slått av før du kobler**

det til strømmen og/eller batteriet, løfter det opp eller bærer det. Hvis du holder fingeren på bryteren når du bærer elektroverktøyet eller kobler elektroverktøyet til strømmen i innkoblet tilstand, kan dette føre til uhell.

- Fjern innstillingsverktøy eller skrunøkler før du slår på elektroverktøyet.** Et verktøy eller en nøkkel som befinner seg i en roterende maskindel, kan føre til skader.
- Ikke overvurder deg selv. Sørg for å stå stødig og i balanse.** Dermed kan du kontrollere maskinen bedre i uventede situasjoner.
- Bruk alltid egnete klær. Ikke bruk vide klær eller smykker. Hold hår, tøy og hansker unna deler som beveger seg.** Løstsittende tøy, smykker eller langt hår kan komme inn i deler som beveger seg.
- Hvis det kan monteres støvavsug- og oppsamlingsinnretninger, må du forvise deg om at disse er tilkoblet og brukes på korrekt måte.** Bruk av et støvavsug reduserer faren på grunn av støv.

4) AKTSOM HÅNTERING OG BRUK AV ELEKTROVERKTØY

- Ikke overbelast maskinen. Bruk et elektroverktøy som er beregnet til den type arbeid du vil utføre.** Med et passende elektroverktøy arbeider du bedre og sikrere i det angitte effektområdet.
 - Ikke bruk elektroverktøy med defekt på-/avbryter.** Et elektroverktøy som ikke lenger kan slås av eller på, er farlig og må repareres.
 - Trekk støpselet ut av stikkkontakten og/eller fjern batteriet før du utfører innstillinger på elektroverktøyet, skifter tilbehørsdeler eller legger maskinen bort.** Disse tiltakene forhindrer en utilsiktet startung av maskinen.
 - Elektroverktøy som ikke er i bruk må oppbevares utilgjengelig for barn. Ikke la maskinen brukes av personer som ikke er fortrolig med dette eller ikke har lest disse anvisningene.** Elektroverktøy er farlige når de brukes av uerfarne personer.
 - Vær nøye med vedlikeholdet av maskinen. Kontroller om bevegelige maskindeler fungerer feilfritt og ikke klemmes fast, og om deler er brukket eller skadet, slik at dette innvirker på maskinens funksjon. La skadede deler repareres før maskinen brukes.** Dårlig vedlikeholdte elektroverktøy er årsaken til mange uhell.
 - Hold skjæreverktøyene skarpe og rene.** Godt stelte skjæreverktøy med skarpe skjær setter seg ikke så ofte fast og er lettere å føre.
 - Bruk elektroverktøy, tilbehør, verktøy osv. i henhold til disse anvisningene. Ta hensyn til arbeidsforholdene og arbeidet som skal utføres.** Bruk av elektroverktøy til andre formål enn det som er angitt kan føre til farlige situasjoner.
- ### 5) SERVICE
- Maskinen din skal alltid kun repareres av kvalifisert fagpersonale og kun med originale reservedeler.** Slik opprettholdes maskinens sikkerhet.

SIKKERHETSANVISNINGER FOR SLIPERE

- Ungå skade p.g.a. skruer, spiker eller andre elementer i arbeidsstykket; fjernes før man starter jobben
- Hold alltid kabelaen borte fra bevegelige deler på verktøyet; for kabelaen bakover bort fra verktøyet

- **Sett fast arbeidsstykket** (et arbeidsstykke som er sikret med klemmer, sitter sikrere enn om det holdes fast for hånd)
- Når du setter bort verktøyet må bryteren slås av, bevegelige deler må være helt stoppet
- Bruk helt utrullet og sikker skjoteledning med en kapasitet på 16 A
- I tilfelle en elektrisk eller mekanisk svikt, skal verktøyet med en gang slås av og støpslet trekkes ut
- SKIL kan kun garantere et feilfritt verktøy dersom original-tilbehør brukes
- Verktøyet må ikke brukes av personer under 16 år
- Støynivået under arbeid kan overskride 85 dB(A); bruk hørselvern
- **Ta kun tak i elektroverktøyet på de isolerte gripeflatene, for båndet kan komme i berøring med ledningen** (hvis en strømførende ledning kuttes, kan metalldeleler på elektroverktøyet bli strømførende og brukeren kan få elektrisk støt)
- Hvis kabelaen skades eller kappes under arbeid må kabelaen ikke berøres, men støpselet straks trekkes ut
- Bruk ikke verktøyet dersom kabel er skadet; få den skiftet ud af en anerkendt fagmand
- Sjekk alltid at tilført spenningen er den samme som oppgitt på verktøyet merkeplate (verktøy som er betegnet med 230V eller 240V kan også koples til et 220V strømuttak)
- Dette verktøyet passer ikke for vannslipning
- **Ikke bearbeid asbestholdig material** (asbest kan fremkalle kreft)
- Støv fra materialer som blyholdig maling, visse tresorter, mineraler og metall kan være skadelig (kontakt med eller inhalering av støv kan gi allergiske reaksjoner og/eller sykdommer i åndedretsorganene for brukeren eller personer i nærheten); **bruk støvmaske og arbeid med støvfjerningsutstyr når det er mulig**
- Visse typer støv er klassifisert som kreftfremkallende (som f.eks. støv fra eik og bøk), spesielt sammen med tilsetningsstoffer for trebehandling; **bruk støvmaske og arbeid med støvfjerningsutstyr når det er mulig**
- Følg de nasjonale krav, når det gjelder støv for de materialer du ønsker å arbeide med
- Ved sliping av metall vil det gnistre; bruk ikke støvposen/støvboks/støvsuger og hold andre personer og brennbart materiale unna arbeidsområdet
- Ikke berør pussebåndet når det er igang
- Slitte, revnede eller svært belastede pussebånd må ikke brukes videre
- Bruk beskyttelseshansker, vernebriller, tettsittende klær og hårnnett (ved langt hår)
- **Ta alltid ut kontakten før du forandrer innstillinger på sagen eller skifter tilbehør**

BRUK

- Av/på bryter
 - slå på/av verktøyet ved å trekke inn/frigjøre bryter A ②
 - ! **før slipeflate kommer i kontakt med arbeidsstykket, bør du slå på verktøyet**
 - ! **før verktøyet slås av, løft det bort fra arbeidsstykket**
- Låsning av bryteren for permanent drift
 - trykk inn bryteren A ②
 - trykk inn knappen B ② med tommelen

- løsne bryteren
- løsne låsen ved å trykke inn bryter A ② og frigjøre den
- Rask bytting av pussebånd (CLIC system) ④
 - ! **trekk ut støpslet av stikkkontakten**
 - løft hendel C
 - ta bort pussebåndet
 - sett i nytt papir med pilen på innersiden pekende i samme retning som pilen D på verktøyet
 - dytt hendel på plass
 - ! **bytt pussebåndet i tide**
 - ! **brett aldri pussebåndet**
- Automatisk sentrering av pussebånd (ABC)
 - sentrerer båndet automatisk når verktøyet slås på
 - holder båndet sentrert under pussing/sliping
 Hvis pussebåndet kommer av verktøyet (vanligvis p.g.s. dårlig beltekvallitet), bør du
 - slå på verktøyet
 - juster skruen E ② til pussebåndet løper i kant med den flate siden av verktøyet
 - bruke nytt belte hvis det fremdeles kommer av
- Støvpopsuging ⑤
 - tøm støvboksen G/støvposen F regelmessig for optimalt støvavsug
 - ved bruk av verktøy med støvsugeren, monter støvsugeradapter H som vist på tegningen (1215)
 - når det er nødvendig, regjør også filteret som vist
 - ! **bruk ikke støvboksen/støvposen/støvsugeren ved sliping av metall**
- Grep og styring av verktøyet ⑥
 - før verktøyet parallelt med arbeidsoverflaten
 - ! **under arbeid, hold verktøyet alltid i grått(gråe) grepsområde(r)**
 - ! **ikke øv for mye press på verktøyet; la slipeflaten gjøre jobben for deg**
 - unngå å føre verktøyet på skrå, da dette vil føre til riper
 - hold ventilasjonsåpningen J ② utildekket

BRUKER TIPS

- Ved pussing av tre overflater som skal lakkeres før verktøyet rett frem og tilbake med veden
- For all annen pussing av overflate før verktøyet i ovale bevegelser over materialet
- Monter sliperamme K (SKIL tilbehør 2610398244) for utjevning av overflater uten riper eller spor, og sørg for at den sitter på plass ⑦
 - ! **sliperamme K blir meget varm mens den er i bruk; må ikke røres før den er avkjølt**
- Berbeid aldri tre og metall med samme pussebånd
- Anbefalt pussebånd korning:

grov-	ved fjerning av maling; ved sliping av ekstremt ujevnt tre
medium-	ved sliping av jevnt eller ujevnt tre
fin-	ved sliping av plane treflater; ved finishing av bare treflater; ved matting av malte flater
- Bruk forskjellig korning når arbeidsflaten er ujevn:
 - start slipingen med grov eller medium korning
 - avslutt med fin korning
- Se flere tips på www.skil.com

VEDLIKEHOLD / SERVICE

- Dette verktøyet er ikke beregnet på profesjonell bruk
- Hold alltid verktøyet og kabelen ren (spesielt ventilasjonshullene J ②)
 - fjern slipestøv med en pensel
- ! **dra ut støpselet før rengjøring**
- Hvis elektroverktøyet til tross for omhyggelige produksjons- og kontrollmetoder en gang skulle svikte, må reparasjonen utføres av et autorisert serviceverksted for SKIL-elektroverktøy
 - send verktøyet i **montert** tilstand sammen med kjøpebevis til forhandleren eller nærmeste SKIL servicecenter (adresser liksom service diagram av verktøyet finner du på www.skil.com)

MILJØ

- **Kast aldri elektroverktøy, tilbehør og emballasje i husholdningsavfallet** (kun for EU-land)
 - i henhold til EU-direktiv 2012/19/EF om kasserte elektriske og elektroniske produkter og direktivets iverksetting i nasjonal rett, må elektroverktøy som ikke lenger skal brukes, samles separat og returneres til et miljøvennlig gjenvinningsanlegg
 - symbolet ⑧ er påtrykt som en påminnelse når utskiftning er nødvendig

SAMSVARERKLÆRING CE

- Vi erklærer som eneansvarlig at produktet som beskrives under "Tekniske data" stemmer overens med følgende normer eller normative dokumenter: EN 60745, EN 61000, EN 55014, jf. bestemmelsene i direktivene 2004/108/EF, 2006/42/EF, 2011/65/EU
- **Tekniske underlag hos:** SKIL Europe BV (PT-SEU/ENG1), 4825 BD Breda, NL

Marijn van der Hoofden
Operations & Engineering

Olaf Dijkgraaf
Approval Manager

SKIL Europe BV, 4825 BD Breda, NL

09.12.2013

STØY/VIBRASJON

- Målt ifølge EN 60745 er lydtryknivået av dette verktøyet 87 dB(A) og lydstyrkenivået 98 dB(A) (standard deviasjon: 3 dB), og vibrasjonsnivået 2,1 m/s² (hånd-arm metode; usikkerhet K = 1,5 m/s²)
- Det avgitte vibrasjonsnivået er blitt målt i samsvar med en standardisert test som er angitt i EN 60745; den kan brukes til å sammenligne et verktøy med et annet, og som et foreløpig overslag over eksponering for vibrasjoner ved bruk av verktøyet til de oppgavene som er nevnt
 - bruk av verktøyet til andre oppgaver, eller med annet eller mangelfullt vedlikeholdt utstyr, kan gi en vesentlig **økning** av eksponeringsnivået

- tidsrommene når verktøyet er avslått eller når det går men ikke arbeider, kan gi en vesentlig **reduksjon** av eksponeringsnivået
- ! **beskytt deg selv mot virkningene av vibrasjoner ved å vedlikeholde verktøyet og utstyret, holde hendene varme og organisere arbeidsmåten din**

FIN

Nauhahiomakone

1210/1215

ESITTELY

- Koneet on tarkoitettu puun, muovin, metallin, spakkelin ja lakattujen pintojen kuivahiontaan suurella hiomateholla
- Tämä työkalua ei ole tarkoitettu ammattikäyttöön
- Lue ja säilytä tämä ohjekirja ③

TEKNISET TIEDOT ①

LAITTEEN OSAT ②

- A Virtakytkin
- B Virtakytkimen lukitusnappi
- C Vipu hiomanauhojen vaihtamiseksi
- D Nuoli
- E Nauhan keskityksen säätöruuvi
- F Pölypussi
- G Pölylaatikko
- H Pölynimurin sovitin
- J Ilmanvaihto-aukot
- K Hiontakehys

TURVALLISUUS

YLEISET TURVALLISUUSOHJEET

HUOMIO! Lue kaikki turvallisuus- ja muut ohjeet.

Turvallisuusohjeiden noudattamisen laiminlyönti saattaa johtaa sähköiskukaan, tulipaloon ja/tai vakavaan loukkaantumiseen. **Säilytä kaikki turvallisuus- ja muut ohjeet tulevaisuutta varten.** Turvallisuusohjeissa käytetty käsite "sähkötyökalu" käsittää verkkokäyttöisiä sähkötyökaluja (verkkojohdolla) ja akkukäyttöisiä sähkötyökaluja (ilman verkkojohtoa).

1) TYÖPAIKAN TURVALLISUUS

- a) **Pidä työskentelyalue puhtaana ja hyvin valaistuna.** Työpaikan epäjärjestys tai valaisemattomat työalueet voivat johtaa tapaturmiin.
- b) **Älä työskentele sähkötyökalulla räjähdysalttiissa ympäristössä, jossa on palavaa nestettä, kaasua tai pölyä.** Sähkötyökalu muodostaa kipinöitä, jotka saattavat sytyttää pölyn tai höyryt.
- c) **Pidä lapset ja sivulliset loitolla sähkötyökalua käyttäessäsi.** Voit menettää laitteesi hallinnan, huomiosi suuntautuu muualle.

2) SÄHKÖTURVALLISUUS

- a) **Sähkötyökalun pistotulpan tulee sopia pistorasiaan. Pistotulppaa ei saa muuttaa millään tavalla. Älä käytä mitään pistorasia-adaptoreita maadoitettujen sähkötyökalujen kanssa.** Alkuperäisessä kunnossa

- olevat pistotulpat ja sopivat pistorasiat vähentävät sähköiskun vaaraa.
- b) **Vältä koskettamista maadoitettuja pintoja, kuten putkia, pattereita, liesiä tai jääkaappeja.** Sähköiskun vaara kasvaa, jos kehoosi on maadoitettu.
- c) **Älä aseta sähkötyökalua alttiiksi satelleille tai kosteudelle.** Veden tunkeutuminen sähkötyökalun sisään kasvattaa sähköiskun riskiä.
- d) **Älä käytä verkkojohtoa väärin. Älä käytä sitä sähkötyökalun kantamiseen, vetämiseen tai pistotulpan irrottamiseen pistorasiasta.** Pidä johto loitolla kuumuudesta, öljystä, terävistä reunoista ja liikkuvista osista. Vahingoittuneet tai sotkeutuneet johdot kasvattavat sähköiskun vaaraa.
- e) **Käyttäessäsi sähkötyökalua ulkona, käytä ainoastaan ulkokäyttöön soveltuvaa jatkojohtoa.** Ulkokäyttöön soveltuvan jatkojohdon käyttö pienentää sähköiskun vaaraa.
- f) **Jos sähkötyökalun käyttö kosteassa ympäristössä ei ole vältettävissä, tulee käyttää maavuotokatkaisijaa.** Maavuotokatkaisijan käyttö vähentää sähköiskun vaaraa.
- 3) HENKILÖTURVALLISUUS**
- a) **Ole valpas, kiinnitä huomiota työskentelyysi ja noudata tervettä järkeä sähkötyökalua käyttäessäsi. Älä käytä sähkötyökalua, jos olet väsynyt tai huumeiden, alkoholin tai lääkkeiden vaikutuksen alaisena.** Hetken tarkkaamattomuus sähkötyökalua käytettäessä, saattaa johtaa vakavaan loukkaantumiseen.
- b) **Käytä suojavarusteita. Käytä aina suojalaseja.** Henkilökohtaisen suojavarustuksen käyttö, kuten pölynaamarin, luistamattomien turvakenkien, suojakypärän tai kuulonsuojaimien, riippuen sähkötyökalun lajista ja käyttötavasta, vähentää loukkaantumiskärsiä.
- c) **Vältä tahatonta käynnistämistä. Varmista, että sähkötyökalu on poiskytketty, ennen kuin liität sen sähköverkkoon ja/tai liität akun, otat sen käteen tai kannat sitä.** Jos kannat sähkötyökalua sormi käynnistyskytkimellä tai kytket sähkötyökalun pistotulpan pistorasiaan, käynnistyskytkimen ollessa käyntiasennossa, altistat itsesi onnettomuuksille.
- d) **Poista kaikki säätötyökalut ja ruuvitaltat, ennen kuin käynnistät sähkötyökalun.** Työkalu tai avain, joka sijaitsee laitteen pyörivässä osassa, saattaa johtaa loukkaantumiseen.
- e) **Älä yliarvioid itseäsi. Huolehdi aina tukevasta seisoma-asennosta ja tasapainosta.** Täten voit paremmin hallita sähkötyökalua odottamattomissa tilanteissa.
- f) **Käytä tarkoitukseen soveltuvia vaatteita. Älä käytä löysiä työvaatteita tai koruja. Pidä hiukset, vaatteet ja käsineet loitolla liikkuvista osista.** Väljät vaatteet, korut ja pitkät hiukset voivat takertua liikkuviin osiin.
- g) **Jos pölynimu- ja keräilylaitteita voidaan asentaa, tulee sinun tarkistaa, että ne on liitettävä ja että ne käytetään oikealla tavalla.** Pölynimulaitteiston käyttö vähentää pölyn aiheuttamia vaaroja.
- 4) SÄHKÖTYÖKALUJEN KÄYTTÖ JA HOITO**
- a) **Älä ylikuormita laitetta. Käytä kyseiseen työhön tarkoitettua sähkötyökalua.** Sopivaa sähkötyökalua

- käyttäen työskentelet paremmin ja varmemmin tehoalueella, jolle sähkötyökalu on tarkoitettu.
- b) **Älä käytä sähkötyökalua, jota ei voida käynnistää ja pysäyttää käynnistyskytkimestä.** Sähkötyökalu, jota ei enää voida käynnistää ja pysäyttää käynnistyskytkimellä, on vaarallinen ja se täytyy korjata.
- c) **Irrota pistotulppa pistorasiasta, ennen kuin suoritat säätöjä, vaihdat tarvikkeita tai siirrat sähkötyökalun varastoitavaksi.** Nämä turvatoimenpiteet pienentävät sähkötyökalun tahattoman käynnistysriskin.
- d) **Säilytä sähkötyökalut poissa lasten ulottuvilta, kun niitä ei käytetä. Älä anna sellaisena henkilöiden käyttää sähkötyökalua, jotka eivät tunne sitä tai jotka eivät ole lukeneet tätä käyttöohjetta.** Sähkötyökalut ovat vaarallisia, jos niitä käyttävät kokemattomat henkilöt.
- e) **Hoida sähkötyökalusi huolella. Tarkista, että liikkuvat osat toimivat moitteettomasti, eivätkä ole puristuksessa sekä, että siinä ei ole murtuneita tai vahingoittuneita osia, jotka saattaisivat vaikuttaa haitallisesti sähkötyökalun toimintaan. Anna korjauttaa mahdolliset viat ennen käyttöönottoa.** Monen tapaturman syyt löytyvät huonosti huolletuista laitteista.
- f) **Pidä leikkausterät terävinä ja puhtaina.** Huolellisesti hoidetut leikkaustyökalut, joiden leikkausreunat ovat teräviä, eivät tartu helposti kiinni ja niitä on helpompi hallita.
- g) **Käytä sähkötyökaluja, tarvikkeita, vaihtotyökaluja jne. näiden ohjeiden mukaisesti. Ota tällöin huomioon työolosuhteet ja suoritettava toimenpide.** Sähkötyökalun käyttö muuhun kuin sille määrättyyn käyttöön, saattaa johtaa vaarallisiin tilanteisiin.
- 5) HUOLTO**
- a) **Anna koulutettujen ammattihenkilöiden korjata sähkötyökalusi ja hyväksy korjauksiin vain alkuperäisiä varaosia.** Täten varmistat, että sähkötyökalu säilyy turvallisena.

HIOMAKONEEN TURVALLISUUSOHJEET

- Vältä vaaralliset vahingot, jotka voivat aiheutua nauloista, ruuveista tai muista aineista työstettävissä materiaalissa; poista ne ennen työskentely aloittamista
- Pidä johto aina poissa työkalun liikkuvien osien läheisyydestä; kohdistu johto takaosaa kohti pois työkalusta
- **Kiinnitä työstettävä kappale** (kiinnittimeen tai puristimeen kiinnitetty työstettävä kappale pysyy tukevammin paikoillaan kuin käsin pidettäessä)
- Kun panet koneen pois, sammuta moottori ja varmista, että kaikki liikkuvat osat ovat pysähtyneet
- Käytä täysin rullaamattomia ja turvallisia jatkejohtoja, joiden kapasiteetti on 16 ampeeria
- Jos huomaat sähköisen tai mekaanisen vian, sammuta kone heti ja irrota liitosjohto pistorasiasta
- SKIL pystyy takaamaan työkalun moitteettoman toiminnan vain, kun käytetään alkuperäisiä tarvikkeita
- Tätä työkalua saavat käyttää vain 16 vuotta täyttäneet henkilöt
- Työkenneltäessä melutaso saattaa ylittää 85 dB(A); jolloin suositellaan kuulonsuojaimien käyttöä

- **Pidä kiinni laitteen eristetyistä tartuntapinnoista, koska nauha voi koskea laitteen johtoon** (jos jännitteinen johto vaurioituu, laitteen paljaisiin metalliosiin voi tulla jännite ja laitteen käyttäjä voi saada sähköiskun)
- Jos sähköjohto vahingoittuu tai katkeaa työn aikana ei johtoa saa koskettaa, vaan pistotulppa on välittömästi irrotettava pistorasiasta
- Älä käytä työkalua, kun johto on vioittunut; vaan toimita se valtuutettuun huoltoliikkeeseen
- Tarkista aina, että syöttöjännite on sama kuin työkalun nimilaatan osoittama jännite (työkalut, joiden jännitetaso on 230V tai 240V, voidaan kytkeä myös 220V tason jännitteeseen)
- Tämä kone ei ole tarkoitettu vesihiontaan
- **Älä koskaan työstä asbestipitoista ainetta** (asbestia pidetään karsinogeenisena)
- Materiaaleista, kuten lyijypitoinen maali, jotkut puulajit, mineraalit ja metalli, tuleva pöly voi olla vahingollista (kosketuksiin joutuminen pölyn kanssa tai sen sisään hengittäminen voi aiheuttaa käyttäjälle tai sivustakatsojille allergiareaktioita ja/tai hengitysvaivoja); **käytä pölynaamaria ja työskentele pölynpoistolaitteen kanssa, kun sellainen on liitettävissä**
- Tietänyttyypiset pölyt on luokiteltu karsinogeenisiksi (kuten tammi- ja pyökkipöly) erityisesti puun käsittelyyn käytettävien lisäaineiden yhteydessä; **käytä pölynaamaria ja työskentele pölynpoistolaitteen kanssa, kun sellainen on liitettävissä**
- Noudata maakohtaisia pölyyn liittyviä sääntöjä
- Metallia hiottaessa syntyy kipinöitä; älä käytä pölypussia/ pölylaatikkoa/pölynimuria ja huolehdi siitä, ettei lähellä ole muita henkilöitä eikä tulenarkoja materiaaleja
- Älä kosketa liikkuvaa hiomanauhua
- Älä jatka kuluneiden, repeytyneiden tai voimakkaasti tukkeutuneiden nauhojen käyttämistä
- Käytä suojakäsineitä, suojalasit, vartalonmukaista vaateetusta ja suojaa pitkät hiukset
- **Irrota aina pistotulppa pistorasiasta, ennen kuin suoritat laitteelle mitään säätöjä tai vaihdat tarviketta**

KÄYTTÖ

- Virtakytkin
 - käynnistä/sammuta koneesi painamalla/vapauttamalla kytkintä A ②
 - ! **koneen tulee olla käynnissä ennen kuin se koskettaa työkalua**
 - ! **ennen koneen sammuttamista se tulee nostaa irti työkalusta**
- Kytkimen lukitseminen jatkuvaa käyttöä varten
 - paina kytkintä A ②
 - paina nuppia B ② peukalollasi
 - vapauta kytkintä
 - irrota lukitus painamalla uudelleen kytkintä A ② ja vapauttamalla se
- Hiomanauhojen nopea vaihtaminen (CLIC-järjestelmä) ④
 - ! **vedä pistoke pistorasiasta**
 - nosta vipu C
 - irrota hiomanauha
 - asenna uusi nauha siinä olevien nuolien osoittamaan pyörimissuuntaan koneen nuolien D mukaisesti
 - paina vipu takaisin

- ! **vaihda hiomanauhat uusiin ajoissa**
- ! **älä koskaan taivuta hiomanauhoja**
- Automaattinen nauhan keskeytys (ABC)
 - keskeyttää nauhan automaattisesti työkalu kytkettäessä
 - pitää nauhan keskitettyä hionnan aikana
- Jos nauha vierii pois työkalusta (yleensä heikkolaatuisen nauhan aiheuttamana), suorita seuraavat toimenpiteet
 - käynnistä kone
 - käännä ruuvista E ② niin, että nauha pyörii koneen suoran sivun tasalla
 - käytä uutta nauhaa, jos nauha edelleen vierii pois
- Pölynimi ⑤
 - tyhjennä pölylaatikkoa G/pölypussi F säännöllisesti optimaalisen pölynimurin saavuttamiseksi
 - käyttäessäsi konetta pölynimurin kanssa pölynimuria, asenna pölynimurin adapteri H kuvan mukaisesti (1215)
 - kun tarpeen, puhdistu myös suodatinta kuvatulla tavalla
- ! **älä käytä pölylaatikkoa/pölypussi/pölynimuria metallihionnassa**
- Koneen pitäminen ja ohjaaminen ⑥
 - ohjaa koneen työstettävän pinnan suuntaisesti
- ! **pidä työkalusta kiinni aina työskentelien aikana harmaan värisestä kädensija(o)ista**
- ! **älä kohdistu liian paljon painetta työkaluun, anna sen tehdä työtä puolestasi**
- älä kallista konetta, kallistaminen voi aiheuttaa syviä ei-toivottuja hiontajälkiä
- pidä ilmanvaihto-aukkoja J ② peittämättöminä

VINKKEJÄ

- Hiottaessa paljaita puupintoja liikuta konetta puun syiden suuntaisesti
- Muita pintoja hiottaessa liikuta konetta soikein liikkein
- Asenna hiontakehys K (SKIL tarvikkeita 2610398244) naarmuttomien tai urattomien pintojen tasaamista varten, ja varmista, että se on kunnolla paikallaan ⑦
- ! **hiontakehys K kuumenee käytön aikana; älä koske kehukseen ennen kuin se on jäähtynyt**
- Älä koskaan hio puuta ja metallia samalla hiomanauhalla
- Hiomanauhat karkeus suositus:


karkea-	poistettaessa maalia; hiottaessa erittäin karkeaa puuta
keskikarkea-	hiottaessa karkeaa tai höylättyä puuta
hieno-	tasoitettaessa maalipintaa; viimeisteltäessä; puuta tai maalipintaa
- Käytä eri hiomapaperikarkeuksia kun hiot karkeaa pintaa:
 - aloita karkealla tai keskikarkealla
 - viimeistele työ hienolla
- Lisävinkkejä on tarjolla web-osoitteessa www.skil.com

HOITO / HUOLTO

- Tätä työkalua ei ole tarkoitettu ammattikäyttöön
- Pidä työkalu ja johto puhtaina (varmista erityisesti ilma-aukkojen puhtaus J ②)
- poista kiinnitettynyt pöly siveltimellä
- ! **irrota liitosjohto aina puhdistuksen ajaksi pistorasiasta**

- Jos sähkötyökalussa, huolellisesta valmistuksesta ja koestusmenettelystä huolimatta esiintyy vikaa, tulee korjaus antaa SKIL sopimushuollon tehtäväksi
 - toimita työkalu sitä osiin **purkamatta** lähimpään SKIL-huoltoon (osoitteet ja työkalun huoltokaava ovat tarjolla web-osoitteessa www.skil.com) ostotodiste mukaan liitettynä

YMPÄRISTÖNSUOJELU

- **Älä hävitä sähkötyökalua, tarvikkeita tai pakkausta tavallisen kotitalousjätteen mukana** (koskee vain EU-maita)
 - vanhoja sähkö- ja elektroniikkalaitteita koskevan EU-direktiivin 2012/19/ETY ja sen maaehtoisten sovellusten mukaisesti käytetyt sähkötyökalut on toimitettava ongelmajätteen keräyspisteeseen ja ohjattava ympäristöstävälliseen kierrätykseen
 - symboli  muistuttaa tästä, kun käytöstä poisto tulee ajankohtaiseksi

VAATIMUSTEN- MUKAISUUSVAKUUTUS

- Vakuutamme yksin vastaavamme siitä, että kohdassa "Tekniset tiedot" selostettu tuote vastaa seuraavia standardeja tai standardoituja asiakirjoja: EN 60745, EN 61000, EN 55014 direktiivien 2004/108/EY, 2006/42/EY, 2011/65/EU määräysten mukaan
- **Tekninen tiedosto kohdasta:** SKIL Europe BV (PT-SEU/ENG1), 4825 BD Breda, NL

Marijn van der Hoofden
Operations & Engineering

Olaf Dijkgraaf
Approval Manager

SKIL Europe BV, 4825 BD Breda, NL

09.12.2013

MELU/TÄRINÄ


- Mitattuna EN 60745 mukaan työkalun melutaso on 87 dB(A) ja yleensä työkalun äänen voimakkuus on 98 dB(A) (keskihajonta: 3 dB), ja tärinän voimakkuus 2,1 m/s² (käsi-käsiavari metodi; epävarmuus K = 1,5 m/s²)
- Tärinäsaiteilytaso on mitattu standardin EN 60745 mukaisen standarditestin mukaisesti; sitä voidaan käyttää verrattaessa yhtä laitetta toiseen sekä alustavana tärinälle altistumisen arviona käytettäessä laitetta manituissa käyttötarkoituksissa
 - laitteen käyttö eri käyttötarkoituksiin tai erilaisten tai huonosti ylläpidettyjen lisälaitteiden kanssa voi **lisätä** merkittävästi altistumistasoa
 - laitteen ollessa sammuksissa tai kun se on käynnissä, mutta sillä ei tehdä työtä, altistumistaso voi olla huomattavasti **pienempi**
- ! **suojaudu tärinän vaikutuksilta ylläpitämällä laite ja sen lisävarusteet, pitämällä kädet lämpiminä ja järjestämällä työmenetelmät**

E

Lijadora de banda

1210/1215

INTRODUCCIÓN

- Esta herramienta está diseñada para lijar en seco madera, materiales plásticos, metal, emplastecido y superficies pintadas, con un elevado rendimiento en el arranque de material
- Esta herramienta no está concebida para uso profesional
- Lea y conserve este manual de instrucciones 


DATOS TÉCNICOS

ELEMENTOS DE LA HERRAMIENTA

- A Interruptor de activación/desactivación
- B Botón de bloqueo del interruptor On/off
- C Palanca para cambiar la banda de lija
- D Flecha
- E Tornillo para ajustar el centrado de la banda
- F Bolsa de polvo
- G Caja de polvo
- H Adaptador para aspirador
- J Ranuras de ventilación
- K Marco de lijado

SEGURIDAD

INSTRUCCIONES GENERALES DE SEGURIDAD

 **¡ATENCIÓN! Lea íntegramente estas advertencias de peligro e instrucciones.** En caso de no atenerse a las advertencias de peligro e instrucciones siguientes, ello puede ocasionar una descarga eléctrica, un incendio y/o lesión grave. **Guardar todas las advertencias de peligro e instrucciones para futuras consultas.** El término "herramienta eléctrica" empleado en las siguientes advertencias de peligro se refiere a herramientas eléctricas de conexión a la red (con cable de red) y a herramientas eléctricas accionadas por acumulador (o sea, sin cable de red).

1) SEGURIDAD DEL PUESTO DE TRABAJO

- a) **Mantenga limpia y bien iluminada su área de trabajo.** El desorden o una iluminación deficiente en las áreas de trabajo pueden provocar accidentes.
- b) **No utilice la herramienta eléctrica en un entorno con peligro de explosión, en el que se encuentren combustibles líquidos, gases o material en polvo.** Las herramientas eléctricas producen chispas que pueden llegar a inflamar los materiales en polvo o vapores.
- c) **Mantenga alejados a los niños y otras personas de su área de trabajo al emplear la herramienta eléctrica.** Una distracción le puede hacer perder el control sobre la herramienta.

2) SEGURIDAD ELÉCTRICA

- a) **El enchufe de la herramienta debe corresponder a la toma de corriente utilizada. No es admisible modificar el enchufe en forma alguna. No emplear**

adaptadores en herramientas dotadas con una toma de tierra. Los enchufes sin modificar adecuados a las respectivas tomas de corriente reducen el riesgo de una descarga eléctrica.

- b) **Evite que su cuerpo toque partes conectadas a tierra como tuberías, radiadores, cocinas y refrigeradores.** El riesgo a quedar expuesto a una descarga eléctrica es mayor si su cuerpo tiene contacto con tomas de tierra.
- c) **No exponga las herramientas eléctricas a la lluvia o a condiciones de humedad.** Existe el peligro de recibir una descarga eléctrica si penetran líquidos en la herramienta.
- d) **No utilice el cable de red para transportar o colgar la herramienta, ni tire de él para sacar el enchufe de la toma de corriente. Mantenga el cable de red alejado del calor, aceite, esquinas cortantes o piezas móviles.** Los cables de red dañados o enredados pueden provocar una descarga eléctrica.
- e) **Al trabajar con la herramienta eléctrica en la intemperie utilice solamente cables de prolongación homologados para su uso en exteriores.** La utilización de un cable de prolongación adecuado para su uso en exteriores reduce el riesgo de una descarga eléctrica.
- f) **Si el funcionamiento de una herramienta eléctrica en un lugar húmedo fuese inevitable, utilice un cortacircuito de fuga a tierra.** El uso de un cortacircuito de fuga a tierra reduce el riesgo de descarga eléctrica.

3) SEGURIDAD DE PERSONAS

- a) **Esté atento y emplee la herramienta con prudencia. No utilice la herramienta eléctrica si estuviese cansado, ni bajo los efectos de alcohol, drogas o medicamentos.** El no estar atento durante el uso de una herramienta eléctrica puede provocarle serias lesiones.
- b) **Utilice un equipo de protección personal y en todo caso unas gafas de protección.** El riesgo a lesionarse se reduce considerablemente si, dependiendo del tipo y la aplicación de la herramienta eléctrica empleada, se utiliza un equipo de protección adecuado como una mascarilla antipolvo, zapatos de seguridad con suela antideslizante, casco, o protectores auditivos.
- c) **Evite una puesta en marcha fortuita. Asegurarse de que la herramienta eléctrica esté desconectada antes de conectarla a la toma de corriente y/o al montar el acumulador, al recogerla, y al transportarla.** Si transporta la herramienta eléctrica sujetándola por el interruptor de conexión/desconexión, o si introduce el enchufe en la toma de corriente con la herramienta eléctrica conectada, ello puede dar lugar a un accidente.
- d) **Retire las herramientas de ajuste o llaves fijas antes de conectar la herramienta eléctrica.** Una herramienta o llave colocada en una pieza rotativa puede producir lesiones graves al accionar la herramienta eléctrica.
- e) **Sea precavido. Trabaje sobre una base firme y mantenga el equilibrio en todo momento.** Ello le permitirá controlar mejor la herramienta eléctrica en caso de presentarse una situación inesperada.
- f) **Lleve puesta una vestimenta de trabajo adecuada. No utilice vestimenta amplia ni joyas. Mantenga su**

pelo, vestimenta y guantes alejados de las piezas móviles. La vestimenta suelta, las joyas y el pelo largo se pueden enganchar con las piezas en movimiento.

- g) **Siempre que sea posible utilizar equipos de aspiración o captación de polvo, asegúrese que éstos estén montados y que sean utilizados correctamente.** El empleo de estos equipos reduce los riesgos derivados del polvo.

4) CUIDADO Y UTILIZACIÓN DE HERRAMIENTAS ELÉCTRICAS

- a) **No sobrecargue la herramienta. Use la herramienta prevista para el trabajo a realizar.** Con la herramienta adecuada podrá trabajar mejor y con mayor seguridad dentro del margen de potencia indicado.
- b) **No utilice herramientas con un interruptor defectuoso.** Las herramientas que no se puedan conectar o desconectar son peligrosas y deben repararse.
- c) **Saque el enchufe de la red y/o desmonte el acumulador antes de realizar un ajuste en la herramienta eléctrica, cambiar de accesorio o al guardar la herramienta eléctrica.** Esta medida preventiva reduce el riesgo de conectar accidentalmente la herramienta.
- d) **Guarde las herramientas fuera del alcance de los niños y de las personas que no estén familiarizadas con su uso.** Las herramientas utilizadas por personas inexpertas son peligrosas.
- e) **Cuide sus herramientas con esmero. Controle si funcionan correctamente, sin atascarse, las partes móviles de la herramienta, y si existen partes rotas o deterioradas que pudieran afectar al funcionamiento de la herramienta. Si la herramienta eléctrica estuviese defectuosa haga repararla antes de volver a utilizarla.** Muchos de los accidentes se deben a herramientas con un mantenimiento deficiente.
- f) **Mantenga los útiles limpios y afilados.** Los útiles mantenidos correctamente se dejan guiar y controlar mejor.
- g) **Utilice herramientas eléctricas, accesorios, útiles, etc. de acuerdo con estas instrucciones, teniendo en cuenta las condiciones de trabajo y la tarea a realizar.** El uso de herramientas eléctricas para trabajos diferentes de aquellos para los que han sido concebidas puede resultar peligroso.

5) SERVICIO

- a) **Únicamente haga reparar su herramienta eléctrica por un profesional, empleando exclusivamente piezas de repuesto originales.** Solamente así se mantiene la seguridad de la herramienta eléctrica.

INSTRUCCIONES DE SEGURIDAD PARA LIJADORAS

- Evite los daños que puedan causar los tornillos, clavos y otros objetos sobre la pieza de trabajo; retírelos antes de empezar a trabajar
- Mantenga siempre el cable lejos de las partes móviles de la herramienta; mantenga el cable detrás de usted, lejos de la herramienta
- **Asegure la pieza de trabajo** (una pieza de trabajo fijada con unos dispositivos de sujeción o en un tornillo de banco, se mantiene sujeta de forma mucho más segura que con la mano)

- Ponga atención al guardar su herramienta de que el motor está apagado y las partes móviles están parados
- Utilice cables de extensión seguros y completamente desenrollados con una capacidad de 16 amperios
- En el caso de que se produjera un mal funcionamiento eléctrico o mecánico, apague inmediatamente la herramienta y desconecte el enchufe
- SKIL únicamente puede garantizar un funcionamiento correcto de la herramienta al emplear accesorios originales
- Esta herramienta no debe utilizarse por personas menores de 16 años
- El nivel de ruido, con la herramienta trabajando, podrá sobrepasar 85 dB(A); usar protectores auditivos
- **Sujete la herramienta por las superficies de agarre aisladas, ya que es posible que la banda haga contacto con su propio cable de alimentación** (cortar un cable bajo tensión también puede conectar las partes metálicas expuestas de la herramienta y podría dar una sacudida eléctrica al operario)
- Si llega a dañarse o cortarse el cable eléctrico durante el trabajo, no tocar el cable, sino extraer inmediatamente el enchufe de la red
- No utilizar la herramienta cuando el cable esté dañado; hágalo cambiar por una persona calificada
- Compruebe siempre que la tensión de alimentación es la misma que la indicada en la placa de características de la herramienta (las herramientas de 230V o 240V pueden conectarse también a 220V)
- Esta herramienta no es adecuada para lijar con agua
- **No trabaje materiales que contengan amianto** (el amianto es cancerígeno)
- El polvo del material, como por ejemplo la pintura que contiene plomo, algunas especies de madera, minerales y metal podrían ser dañinos (el contacto o inhalación del polvo podría producir reacciones alérgicas y/o trastornos respiratorios al operador u otras personas cerca); **utilice una máscara contra el polvo y trabaje con un dispositivo de extracción de polvo cuando lo conecte**
- Ciertos tipos de polvo están catalogados como cancerígenos (por ejemplo el polvo de roble y de haya) especialmente junto con aditivos para el acondicionamiento de la madera; **utilice una máscara contra el polvo y trabaje con un dispositivo de extracción de polvo cuando lo conecte**
- Siga la normativa nacional en cuanto a extracción de polvo, en función de los materiales que vayan a ser utilizados
- Al lijar metal se generen chispas; no utilice la bolsa de polvo/la caja de polvo/el aspirador y mantenga otras personas y materiales combustibles alejados de la zona de trabajo
- Evitar el contacto con la banda de lijado en marcha
- No utilizar bandas de lijado desgastadas, desgarradas o excesivamente embazadas
- Llevar guantes protectores, gafas de protección, vestimenta ceñida al cuerpo y protección adecuada para pelo largo
- **Desenchufar siempre la herramienta antes de realizar cualquier ajuste o cambiar algún accesorio**

USO

- Interruptor On/Off
 - ponga en marcha/pare su herramienta apretando/ soltando el gatillo A ②
 - ! **antes de trabajar sobre una pieza, se debe poner en marcha su herramienta**
 - ! **antes de desactivar la herramienta, debe retirarla de la pieza de trabajo**
- Bloqueo del interruptor para uso permanente
 - apriete el gatillo A ②
 - apriete el botón B ② con su dedo pulgar
 - suelte el gatillo
 - apaga la herramienta apretando el gatillo A ② una vez más y luego soltándolo
- Para cambiar rápidamente las bandas de lijado (sistema CLIC) ④
 - ! **desenchufar la herramienta**
 - levante la palanca C
 - desmonte la banda de lijado
 - introduzca una nueva banda, de modo que las flechas estampadas en el lado interior de la banda apunten en la misma dirección que la flecha D en la herramienta
 - baje la palanca
 - ! **cambiar a tiempo las bandas de lijado**
 - ! **no doblar jamás las bandas de lijado**
- Centrado automático de las bandas (ABC)
 - cuando se enciende la herramienta, se centra la banda automáticamente
 - mantiene centrada la banda durante el lijado

En caso de que la banda se desprenda de la herramienta (causado casi siempre por bandas de calidad inferior), deberá

 - ponga en marcha la herramienta
 - ajuste el tornillo E ② hasta que la banda de lijado entre con el lado bajo de la herramienta
 - utilice una banda nueva si se sigue desprendiendo
- Aspiración de polvo ⑤
 - vacíe la caja G/la bolsa F con regularidad para una aspiración optimal del polvo
 - cuando use su herramienta con el aspirador, monte el adaptador para el aspirador H tal como se muestra en la ilustración (1215)
 - cuando sea necesario, limpie también el filtro de la forma ilustrada
 - ! **no utilice la caja de polvo/la bolsa de polvo/el aspirador al lijar metal**
- Sujeción y manejo de la herramienta ⑥
 - guíe su herramienta paralela a la superficie de trabajo
 - ! **durante el trabajo, sujete siempre la herramienta por la(s) zona(s) de empuñadura de color gris**
 - ! **no ejerza demasiada presión en la herramienta; deje que la dimensión de la base haga su trabajo**
 - no incline su herramienta para evitar marcas de lijado no deseadas
 - mantenga las ranuras de ventilación J ② descubiertas

CONSEJOS DE APLICACIÓN

- Para los superficies de madera no pintadas es un movimiento rectilíneo en dirección de la nervadura da un mayor rendimiento

- Para lijar otro tipo de superficies mueva la herramienta sobre el material con movimientos ovales
- Monte el marco de lijado K (accesorio SKIL 2610398244) para igualar superficies sin arañazos ni surcos, y asegúrese de que esté bien sujeto ⑦
! el marco de lijado K se calienta durante su uso; no lo toque hasta que se haya enfriado
- No tratar jamás madera y metal con la misma banda de lija
- Grano recomendado de las bandas de lijado:
basto- para quitar pintura; para lijar madera muy basta
medio- para lijar madera en crudo o lisa
fino- para pulir madera; para acabado de madera no pintada; para el pulido de superficies con pintura vieja
- Utilice diferentes granos de lija si la superficie a trabajar es basta:
 - empiece con el grano basto o medio
 - acabe con grano fino
- Para más consejos vea www.skil.com

MANTENIMIENTO / SERVICIO

- Esta herramienta no está concebida para uso profesional
- Mantenga limpio el cable eléctrico y la herramienta (sobre todo las ranuras de ventilación J ②)
 - eliminar el polvo adherido con un pincel
- **! desenchufar la herramienta antes de limpiar**
- Si a pesar de los esmerados procesos de fabricación y control, la herramienta llegase a averiarse, la reparación deberá encargarse a un servicio técnico autorizado para herramientas eléctricas SKIL
 - envíe la herramienta **sin desmontar** junto con una prueba de su compra a su distribuidor o a la estación de servicio más cercana de SKIL (los nombres así como el despiece de piezas de la herramienta figuran en www.skil.com)

AMBIENTE

- **No deseche las herramientas eléctricas, los accesorios y embalajes junto con los residuos domésticos** (sólo para países de la Unión Europea)
 - de conformidad con la Directiva Europea 2012/19/CE sobre residuos de aparatos eléctricos y electrónicos y su aplicación de acuerdo con la legislación nacional, las herramientas eléctricas cuya vida útil haya llegado a su fin se deberán recoger por separado y trasladar a una planta de reciclaje que cumpla con las exigencias ecológicas
 - símbolo ⑧ llamará su atención en caso de necesidad de tirarlas

DECLARACIÓN DE CONFORMIDAD CE

- Declaramos bajo nuestra sola responsabilidad que el producto descrito bajo "Datos técnicos" está en conformidad con las normas o documentos normalizados siguientes: EN 60745, EN 61000, EN 55014, de acuerdo con las disposiciones en las directivas 2004/108/CE, 2006/42/CE, 2011/65/EU

- **Expediente técnico en:** SKIL Europe BV (PT-SEU/ENG1), 4825 BD Breda, NL

Marijn van der Hoofden Olaf Dijkgraaf
Operations & Engineering Approval Manager




SKIL Europe BV, 4825 BD Breda, NL

09.12.2013

RUIDOS/VIBRACIONES

- Medido según EN 60745 el nivel de la presión acústica de esta herramienta se eleva a 87 dB(A) y el nivel de la potencia acústica a 98 dB(A) (desviación estándar: 3 dB), y la vibración a 2,1 m/s² (método brazo-mano; incertidumbre K = 1,5 m/s²)
- El nivel de emisión de vibraciones ha sido medido según una prueba estándar proporcionada en EN 60745; puede utilizarse para comparar una herramienta con otra y como valoración preliminar de la exposición a las vibraciones al utilizar la herramienta con las aplicaciones mencionadas
 - al utilizarla para distintas aplicaciones o con accesorios diferentes o con un mantenimiento deficiente, podría **aumentar** de forma notable el nivel de exposición
 - en las ocasiones en que se apaga la herramienta o cuando está funcionando pero no está realizando ningún trabajo, se podría **reducir** el nivel de exposición de forma importante
- **! protéjase contra los efectos de la vibración realizando el mantenimiento de la herramienta y sus accesorios, manteniendo sus manos calientes y organizando sus patrones de trabajo**



P

Lixadeira de rolos 1210/1215

INTRODUÇÃO

- Esta ferramenta é determinada para lixar a seco madeira, plástico, metal, mastique e superfícies pintadas, com alta força abrasiva
- Esta ferramenta não se destina a utilização profissional
- Leia e guarde este manual de instruções ③

DADOS TÉCNICOS ①

ELEMENTOS DA FERRAMENTA ②

- A Interruptor para ligar/desligar
- B Botão do interruptor para bloquear/desbloquear
- C Patilha para mudar a cinta da lixadeira

- D Seta
- E Parafuso para regular a centragem da cinta
- F Saco do pó
- G Caixa do pó
- H Adaptador para aspirador
- J Aberturas de ventilação
- K Marco da lixadeira

SEGURANÇA

INSTRUÇÕES GERAIS DE SEGURANÇA

⚠ ATENÇÃO! Devem ser lidas todas as indicações de advertência e todas as instruções. O desrespeito das advertências e instruções apresentadas abaixo pode causar choque eléctrico, incêndio e/ou graves lesões. **Guarde bem todas as advertências e instruções para futura referência.** O termo "ferramenta eléctrica" utilizado a seguir nas indicações de advertência, refere-se a ferramentas eléctricas operadas com corrente de rede (com cabo de rede) e a ferramentas eléctricas operadas com acumulador (sem cabo de rede).

1) SEGURANÇA DA ÁREA DE TRABALHO

- a) **Mantenha a sua área de trabalho limpa e arrumada.** Desordem ou áreas de trabalho com fraca iluminação podem causar acidentes.
- b) **Não trabalhar com a ferramenta eléctrica em áreas com risco de explosão, nas quais se encontrem líquidos, gases ou pós inflamáveis.** Ferramentas eléctricas produzem faíscas que podem provocar a ignição de pó e vapores.
- c) **Mantenha crianças e outras pessoas afastadas da ferramenta eléctrica durante o trabalho com a ferramenta.** Distrações podem causar a falta de controle sobre o aparelho.

2) SEGURANÇA ELÉCTRICA

- a) **A ficha da ferramentas eléctricas devem caber na tomada. A ficha não deve ser modificada de modo algum. Não utilize quaisquer fichas de adaptação junto com ferramentas eléctricas ligadas à terra.** Fichas sem modificações e tomadas adequadas reduzem o risco de choques eléctricos.
- b) **Evite que o corpo entre em contacto com superfícies ligadas à terra, como por exemplo tubos, radiadores, fogões e geladeiras.** Há um risco elevado de choques eléctricos, caso o corpo for ligado à terra.
- c) **A ferramenta eléctrica não deve ser exposta à chuva nem humidade.** A penetração de água na ferramenta eléctrica aumenta o risco de choques eléctricos.
- d) **O cabo do aparelho não deve ser utilizado para o transporte, para pendurar o aparelho, nem para puxar a ficha da tomada. Mantenha o cabo afastado de calor, óleo, cantos afiados ou partes em movimento do aparelho.** Cabos danificados ou torcidos aumentam o risco de choques eléctricos.
- e) **Ao trabalhar com a ferramenta eléctrica ao ar livre, use um cabo de extensão apropriado para áreas externas.** O uso de um cabo apropriado para áreas externas reduz o risco de choques eléctricos.

- f) **Se não for possível evitar o funcionamento da ferramenta eléctrica em áreas húmidas, deverá ser utilizado um disjuntor de corrente de avaria.** A utilização de um disjuntor de corrente de avaria reduz o risco de um choque eléctrico.

3) SEGURANÇA DE PESSOAS

- a) **Esteja alerta, observe o que está a fazer, e tenha prudência ao trabalhar com a a ferramenta eléctrica. Não use a ferramenta eléctrica se estiver fatigado ou sob a influência de drogas, álcool ou medicamentos.** Um momento de falta de atenção durante a operação da ferramenta eléctrica pode causar graves lesões.
- b) **Utilizar equipamento de protecção pessoal e sempre óculos de protecção.** A utilização de equipamento de protecção pessoal, como máscara de protecção contra pó, sapatos de segurança antiderrapantes, capacete de segurança ou protecção auricular, de acordo com o tipo e aplicação da ferramenta eléctrica, reduz o risco de lesões.
- c) **Evitar uma colocação em funcionamento involuntária. Assegure se de que a ferramenta eléctrica esteja desligada, antes de conectá-la à alimentação de rede e/ou ao acumulador, antes de levantá-la ou de transportá-la.** Se tiver o dedo no interruptor ao transportar a ferramenta eléctrica ou se o aparelho for conectado à alimentação de rede enquanto estiver ligado, poderão ocorrer acidentes.
- d) **Remover chaves de ajustes ou chaves de fenda, antes de ligar a ferramenta eléctrica.** Uma chave de fenda ou chave de ajuste que se encontre numa parte móvel do aparelho, pode levar a lesões.
- e) **Não se sobreestime. Mantenha uma posição firme e mantenha sempre o equilíbrio.** Desta forma poderá ser mais fácil controlar o aparelho em situações inesperadas.
- f) **Use roupa apropriada. Não use roupa larga ou jóias. Mantenha o cabelo, roupa e luvas afastadas de partes em movimento.** Roupas largas, jóias ou cabelos longos podem ser agarradas por partes em movimento.
- g) **Se for prevista a montagem de dispositivos de aspiração de pó e de dispositivos de recolha, assegure-se de que estão conectados e que sejam utilizados de forma correcta.** A utilização de uma aspiração de pó pode reduzir o perigo devido ao pó.

4) USO E TRATAMENTO DE FERRAMENTAS ELÉCTRICAS

- a) **Não sobrecarregue a ferramenta eléctrica. Use para o seu trabalho a ferramenta eléctrica correcta.** A ferramenta correcta realizará o trabalho de forma melhor e mais segura dentro da faixa de potência indicada.
- b) **Não utilize a ferramenta eléctrica se o interruptor não puder ser ligado nem desligado.** Qualquer ferramenta eléctrica que não possa ser controlada através do interruptor de ligar-desligar, é perigosa e deve ser reparada.
- c) **Puxar a ficha da tomada e/ou remover o acumulador antes de executar ajustes na ferramenta, de substituir acessórios ou de guardar a ferramenta.** Esta medida de segurança evita que a ferramenta eléctrica seja ligada acidentalmente.

- d) **Guarde ferramentas eléctricas que não estiverem sendo utilizadas, for a do alcance de crianças. Não permita que o aparelho seja utilizado por pessoas não familiarizadas com o mesmo ou que não tenham lido estas instruções.** Ferramentas eléctricas são perigosas nas mãos de pessoas sem treinamento.
- e) **Trate a sua ferramenta eléctrica com cuidado. Verifique se as partes móveis do aparelho funcionam perfeitamente e não emperram, se há peças quebradas ou danificadas, que possam influenciar o funcionamento do aparelho. Peças danificadas devem ser reparadas antes da utilização do aparelho.** Muitos acidentes tem como causa uma manutenção insuficiente das ferramentas eléctricas.
- f) **Mantenha as ferramentas de corte sempre afiadas e limpas.** Ferramentas de cortes devidamente tratadas, com cantos afiados travam com menos frequência e podem ser controladas com maior facilidade.
- g) **Use a ferramenta eléctrica, os acessórios os bits da ferramenta etc., de acordo com estas instruções. Considere também as condições de trabalho e o trabalho a ser efectuado.** A utilização da ferramenta eléctrica para outros fins que os previstos, pode resultar em situações perigosas.

5) SERVIÇO

- a) **A sua ferramenta eléctrica só deve ser reparada por pessoal qualificado e só devem ser colocadas peças sobressalentes originais.** Desta forma é assegurada a segurança da ferramenta eléctrica.

INSTRUÇÕES DE SEGURANÇA PARA LIXADEIRAS

- Evite danificar a ferramenta em superfícies com pregos ou parafusos; remova-os antes de começar a trabalhar
- Mantenha sempre o fio afastado das peças rotativas da ferramenta; coloque o fio para trás, fora do alcance da ferramenta
- **Fixe a peça de trabalho** (uma peça de trabalho fixa com dispositivos de fixação ou num torno fica melhor fixa do que manualmente)
- Quando guardar a ferramenta, deverá certificar-se que o motor esta devidamente parado assim como todas as peças rotativas
- Utilize extensões completamente desenroladas e seguras, com uma capacidade de 16 Amp
- Em caso de anomalias eléctricas ou mecánicas, desligue imediatamente a ferramenta e tire a ficha da tomada
- A SKIL só pode garantir um funcionamento perfeito da ferramenta, quando utilizada com os acessórios originais
- Esta ferramenta não deve ser utilizada por pessoas menores de 16 anos
- O nível de ruído durante o trabalho pode exceder 85 dB(A); utilize protectores auriculares
- **Segure a ferramenta eléctrica pelas superfícies de fixação, porque a correia pode contactar com o cabo** (o corte de um fio "eléctrico" pode expor as peças metálicas da ferramenta eléctrica e pode originar um choque eléctrico no operador)
- Caso o fio for danificado ou cortado durante o trabalho, não toque no fio, mas tire imediatamente a ficha da tomada
- Não utilizar ferramenta caso o fio esteja danificado; mandando-o substituir por pessoal qualificado

- Certifique-se sempre de que a tensão de alimentação está de acordo com a tensão indicada na placa de identificação da ferramenta (ferramentas com a indicação de 230V ou 240V também podem ser ligadas a uma fonte de 220V)
- Esta ferramenta não é aconselhada para trabalhos em superfícies molhadas
- **Não processar material que contenha asbesto** (asbesto é considerado como sendo cancerígeno)
- O pó do material, como tinta com chumbo, algumas espécies de madeira, minerais e metais, pode ser prejudicial (contacto ou inalação do pó pode provocar reacções alérgicas e/ou doenças respiratórias ao operador ou às pessoas presentes); **use máscara respiratória e trabalhe com um dispositivo de extracção de pó quando ligado a**
- Determinados tipos de pó são classificados como substâncias cancerígenas (como pó de carvalho e faia), em especial, juntamente com aditivos para acondicionamento da madeira; **use máscara respiratória e trabalhe com um dispositivo de extracção de pó quando ligado a**
- Siga o regulamento nacional quanto a extração de pó, em função dos materiais que vão ser utilizados
- **ÃO** lixar metais, deixado às faiscas produzidas, não utilize o saco de pó/a caixa de pó/o aspirador e mantenha afastadas outras pessoas e materiais combustíveis à área de trabalho
- Não entrar em contacto com a cinta de lixadeira em funcionamento
- Cintas de lixadeira gastas, rasgadas ou muito sujos não devem continuar a ser utilizadas
- Usar luvas protectoras, óculos de protecção, roupas justas e uma protecção para cabelos (no caso de cabelos compridos)
- **Desligue sempre a ficha da tomada antes de proceder a qualquer ajustamento ou troca de acessório**

MANUSEAMENTO

- Interruptor para ligar/desligar
 - ligue/desligue a ferramenta premindo/soltando o gatilho A ②
 - ! **a ferramenta deve estar ligada antes que a base alcance a peça a trabalhar**
 - ! **antes de desligar a ferramenta, deve levantá-la da peça de trabalho**
- Fixação do interruptor para utilização contínua
 - premir o gatilho A ②
 - apertar o botão B ② com o polegar
 - soltar o gatilho
 - desligue o interruptor apertando de novo o gatilho A ② e soltando-o de seguida
- Substituição rápida das cintas da lixadeira (sistema CLIC) ④
 - ! **desligar a ferramenta da fonte de corrente**
 - levante a patilha C
 - retire a cinta
 - coloque uma nova cinta com as setas imprimadas no interior da mesma apontando na mesma direcção da seta D da ferramenta
 - abaixe a patilha

- ! **mudar as cintas de lixadeira atempadamente**
- ! **nunca dobrar as cintas de lixadeira**
- Centragem automática da cinta (ABC)
 - centra automaticamente a cinta quando a ferramenta é ligada
 - mantém a cinta centrada durante a lixagem
- Caso a cinta saia da ferramenta (o que é na maior parte das vezes causado por má qualidade da cinta), faça o seguinte
 - ligue a ferramenta
 - aparafuse o parafuso E ② até a cinta correr paralela a parte chata da ferramenta
 - utilize outra cinta se esta continuar a sair da ferramenta
- Aspiração de pó ⑤
 - esvazie periodicamente a caixa G/o saco F para uma melhor recolha do pó
 - quando utilizar a ferramenta com o aspirador, monte o adaptador para aspirador H como ilustrado (1215)
 - quando necessário, limpe também o filtro conforme ilustrado
- ! **não utilizar a caixa de recolha do pó/o saco de pó/o aspirador ao lixar metais**
- Segurar e guiar a ferramenta ⑥
 - guie a ferramenta paralelamente à peça a trabalhar
- ! **durante o trabalho, segure sempre a ferramenta na(s) área(s) de fixação cinzenta(s)**
- ! **não aplique demasiada pressão na ferramenta; deixe que a ferramenta trabalhe por si**
- não incline a ferramenta de modo a evitar marcas indesejadas
- mantenha as aberturas de ventilação J ② destapadas

CONSELHOS DE APLICAÇÃO

- Para trabalhar com a lixadeira em superfícies de madeira não aplainada deverá fazer movimentos em linha recta e sempre no sentido dos veios da madeira
- Para lixar todas as outras superfícies faça movimentos ovais com a ferramenta sobre o material
- Instale o marco da lixadeira K (acessório SKIL 2610398244) para alisar superfícies com riscos ou ranhuras, e certifique-se de que está bem fixo no lugar ⑦
- ! **o marco da lixadeira K aquece durante a utilização; não toque no marco antes que ele arrefeça**
- Nunca trabalhar madeira e metal com a mesma cinta de lixa
- Grãos de cintas de lixadeira recomendados:

grosso-	para remover tinta; para lixar madeira extremamente dura
médio-	para lixar madeira dura ou plana
fina-	para afagar madeira; para acabamentos de madeira nua; para afagar superfícies com tinta antiga
- Use diferentes grãos de lixa quando trabalhar madeira dura:
 - comece com grão grosso ou médio
 - acabe com grão fino
- Para mais sugestões consulte www.skil.com

MANUTENÇÃO / SERVIÇO

- Esta ferramenta não se destina a utilização profissional
- Mantenha a ferramenta e o fio sempre limpos (especialmente as ranhuras de respiração J ②)
 - remover o pó de lixa aderido com um pincel
- ! **desligar a ferramenta da fonte de corrente antes de limpar**
- Se a ferramenta falhar apesar de cuidadosos processos de fabricação e de teste, a reparação deverá ser executada por uma oficina de serviço autorizada para ferramentas eléctricas SKIL
 - envie a ferramenta **sem desmontar**, juntamente com a prova de compra, para o seu revendedor ou para o centro de assistência SKIL mais próximo (os endereços assim como a mapa de peças da ferramenta estão mencionados no www.skil.com)

AMBIENTE

- **Não deite ferramentas eléctricas, acessórios e embalagem no lixo doméstico** (apenas para países da UE)
 - de acordo com a directiva europeia 2012/19/CE sobre ferramentas eléctricas e electrónicas usadas e a transposição para as leis nacionais, as ferramentas eléctricas usadas devem ser recolhidas em separado e encaminhadas a uma instalação de reciclagem dos materiais ecológica
 - símbolo ⑧ lhe avisará em caso de necessidade de arranja-las

DECLARAÇÃO DE CONFORMIDADE CE

- Declaramos sob nossa exclusiva responsabilidade que o produto descrito em "Dados técnicos" cumpre as seguintes normas ou documentos normativos: EN 60745, EN 61000, EN 55014, conforme as disposições das directivas 2004/108/CE, 2006/42/CE, 2011/65/UE
- **Processo técnico em:** SKIL Europe BV (PT-SEU/ENG1), 4825 BD Breda, NL

Marijn van der Hoofden
Operations & Engineering

Olaf Dijkgraaf
Approval Manager




SKIL Europe BV, 4825 BD Breda, NL

09.12.2013

RUÍDO/VIBRAÇÕES

- Medido segundo EN 60745 o nível de pressão acústica desta ferramenta é 87 dB(A) e o nível de potência acústica 98 dB(A) (espaço de erro: 3 dB), e a vibração 2,1 m/s² (método braço-mão; incerteza K = 1,5 m/s²)
- O nível de emissão de vibrações foi medido de acordo com um teste normalizado fornecido na EN 60745; pode ser utilizado para comparar uma ferramenta com outra e como uma avaliação preliminar de exposição à vibração quando utilizar a ferramenta para as aplicações mencionadas

- utilizar a ferramenta para diferentes aplicações ou com acessórios diferentes ou mantidos deficientemente, pode **aumentar** significativamente o nível de exposição
- o número de vezes que a ferramenta é desligada ou quando estiver a trabalhar sem fazer nada, pode **reduzir** significativamente o nível de exposição
- ! **proteja-se contra os efeitos da vibração, mantendo a ferramenta e os acessórios, mantendo as mãos quentes e organizando os padrões de trabalho**

I

Levigatrice a nastro 1210/1215

INTRODUZIONE

- Questo utensile serve per la smerigliatura a secco del legno, della plastica, di metallo, del riempimento e delle superfici verniciate, con elevato asportazione del material
- Questo utensile non è inteso per un uso professionale
- Leggete e conservate questo manuale di istruzione ③

DATI TECNICI ①

ELEMENTI UTENSILE ②

- A Interruttore di acceso/spento
- B Pulsante di bloccaggio dell'interruttore
- C Leva per sostituire il nastro abrasivo
- D Freccia
- E Vite per centrare il nastro
- F Sacchetto della polvere
- G Scatola della polvere
- H Adattatore per aspirapolvere
- J Feritoie di ventilazione
- K Cornice di levigatura

SICUREZZA

ISTRUZIONI GENERALI DI SICUREZZA

ATTENZIONE! Leggere tutte le avvertenze di pericolo e le istruzioni operative. In caso di mancato rispetto delle avvertenze di pericolo e delle istruzioni operative si potrà creare il pericolo di scosse elettriche, incendi e/o incidenti gravi. **Conservare tutte le avvertenze di pericolo e le istruzioni operative per ogni esigenza futura.** Il termine "elettroutensile" utilizzato nelle avvertenze di pericolo si riferisce ad utensili elettrici alimentati dalla rete (con linea di allacciamento) ed ad utensili elettrici alimentati a batteria (senza linea di allacciamento).

1) SICUREZZA DELLA POSTAZIONE DI LAVORO

- a) **Mantenere pulito ed ordinato il posto di lavoro.** Il disordine o le zone di lavoro non illuminate possono essere fonte di incidenti.
- b) **Evitare d'impiegare l'utensile in ambienti soggetti al rischio di esplosioni in quali si trovino liquidi, gas o polveri infiammabili.** Gli utensili elettrici producono scintille che possono far infiammare la polvere o i gas.

- c) **Mantenere lontani i bambini ed altre persone durante l'impiego dell'utensile elettrico.** Eventuali distrazioni potranno comportare la perdita del controllo sull'utensile.

2) SICUREZZA ELETTRICA

- a) **La spina per la presa di corrente dovrà essere adatta alla presa. Evitare assolutamente di apportare modifiche alla spina. Non impiegare spine adattatrici assieme ad utensili con collegamento a terra.** Le spine non modificate e le prese adatte allo scopo riducono il rischio di scosse elettriche.
- b) **Evitare il contatto fisico con superfici collegate a terra, come tubi, riscaldamenti, cucine elettriche e frigoriferi.** Sussiste un maggior rischio di scosse elettriche nel momento in cui il corpo è messo a massa.
- c) **Custodire l'utensile al riparo dalla pioggia o dall'umidità.** L'eventuale infiltrazione di acqua in un utensile elettrico va ad aumentare il rischio d'insorgenza di scosse elettriche.
- d) **Non usare il cavo per scopi diversi da quelli previsti al fine di trasportare o appendere l'utensile, oppure di togliere la spina dalla presa di corrente. Mantenere l'utensile al riparo da fonti di calore, dall'olio, dagli spigoli o da pezzi in movimento.** I cavi danneggiati o aggrovigliati aumentano il rischio d'insorgenza di scosse elettriche.
- e) **Qualora si voglia usare l'utensile all'aperto, impiegare solo ed esclusivamente cavi di prolunga omologati per l'impiego all'esterno.** L'uso di un cavo di prolunga omologato per l'impiego all'esterno riduce il rischio d'insorgenza di scosse elettriche.
- f) **Qualora non fosse possibile evitare di utilizzare l'utensile in ambiente umido, utilizzare un interruttore di messa a terra.** L'uso di un interruttore di messa a terra riduce il rischio di una scossa elettrica.

3) SICUREZZA DELLE PERSONE

- a) **È importante concentrarsi su ciò che si sta facendo e a maneggiare con giudizio l'utensile durante le operazioni di lavoro. Non utilizzare l'utensile in caso di stanchezza o sotto l'effetto di droghe, bevande alcoliche e medicinali.** Un attimo di distrazione durante l'uso dell'utensile potrà causare lesioni gravi.
- b) **Indossare sempre equipaggiamento protettivo individuale. Usare sempre protezioni per gli occhi.** Se si avrà cura d'indossare equipaggiamento protettivo individuale come la maschera antipolvere, la calzatura antidistruciolevole di sicurezza, il casco protettivo o la protezione dell'udito, a seconda dell'impiego previsto per l'utensile elettrico, si potrà ridurre il rischio di ferite.
- c) **Evitare l'accensione involontaria dell'utensile. Prima di collegarlo alla rete di alimentazione elettrica e/o alla batteria ricaricabile, prima di prenderlo oppure prima di iniziare a trasportarlo, assicurarsi che l'utensile sia spento.** Tenendo il dito sopra l'interruttore mentre si trasporta l'utensile oppure collegandolo all'alimentazione di corrente con l'interruttore inserito, si evitano a creare situazioni pericolose in cui possono verificarsi seri incidenti.
- d) **Togliere gli attrezzi di regolazione o la chiave inglese prima di accendere l'utensile.** Un utensile o una chiave inglese che si trovino in una parte dell'utensile in rotazione potranno causare lesioni.

- e) **È importante non sopravvalutarsi. Avere cura di mettersi in posizione sicura e di mantenere l'equilibrio.** In tale maniera sarà possibile controllare meglio l'utensile in situazioni inaspettate.
- f) **Indossare vestiti adeguati. Evitare di indossare vestiti lenti o gioielli. Tenere i capelli, i vestiti ed i guanti lontani da pezzi in movimento.** Vestiti lenti, gioielli o capelli lunghi potranno impigliarsi in pezzi in movimento.
- g) **Se sussiste la possibilità di montare dispositivi di aspirazione o di captazione della polvere, assicurarsi che gli stessi siano stati installati correttamente e vengano utilizzati senza errori.**
L'utilizzo di un'aspirazione polvere può ridurre lo svilupparsi di situazioni pericolose dovute alla polvere.
- 4) MANEGGIO ED IMPIEGO ACCURATO DI UTENSILI ELETTRICI**
- a) **Non sovraccaricare l'utensile. Impiegare l'utensile elettrico adatto per sbrigare il lavoro.** Utilizzando l'utensile elettrico adatto si potrà lavorare meglio e con maggior sicurezza nell'ambito della gamma di potenza indicata.
- b) **Non utilizzare utensili elettrici con interruttori difettosi.** Un utensile elettrico che non si può più accendere o spegnere è pericoloso e dovrà essere riparato.
- c) **Prima di procedere ad operazioni di regolazione sull'utensile, prima di sostituire parti accessorie oppure prima di posare l'utensile al termine di un lavoro, estrarre sempre la spina dalla presa della corrente e/o estrarre la batteria ricaricabile.** Tale precauzione eviterà che l'utensile possa essere messo in funzione inavvertitamente.
- d) **Custodire gli utensili elettrici non utilizzati al di fuori della portata dei bambini. Non fare usare l'utensile a persone che non sono abituate ad usarlo o che non abbiano letto le presenti istruzioni.** Gli utensili elettrici sono pericolosi se utilizzati da persone inesperte.
- e) **Effettuare accuratamente la manutenzione dell'utensile. Verificare che le parti mobili dell'utensile funzionino perfettamente e non s'incepino, che non ci siano pezzi rotti o danneggiati al punto tale da limitare la funzione dell'utensile stesso. Far riparare le parti danneggiate prima d'impiegare l'utensile.** Numerosi incidenti vengono causati da utensili elettrici la cui manutenzione è stata effettuata poco accuratamente.
- f) **Mantenere affilati e puliti gli utensili da taglio.** Gli utensili da taglio curati con particolare attenzione e con taglianti affilati s'incepiscono meno frequentemente e sono più facili da condurre.
- g) **Utilizzare utensili elettrici, accessori, attrezzi, ecc. in conformità con le presenti istruzioni. Osservare le condizioni di lavoro ed il lavoro da eseguirsi durante l'impiego.** L'impiego di utensili elettrici per usi diversi da quelli consentiti potrà dar luogo a situazioni di pericolo.
- 5) ASSISTENZA**
- a) **Fare riparare l'utensile solo ed esclusivamente da personale specializzato e solo impiegando pezzi di ricambio originali.** In tale maniera potrà essere salvaguardata la sicurezza dell'utensile.

ISTRUZIONI DI SICUREZZA PER LEVIGATRICI

- Evitate possibili danneggiamenti da viti e chiodi sporgenti; rimuoverli prima di iniziare la lavorazione
- Mantenere sempre il cavo distante dalle parti in movimento dell'utensile; spingere il cavo verso la parte posteriore, distante dall'utensile
- **Fissare il pezzo da lavorare** (un pezzo in lavorazione rimane bloccato in posizione con maggiore sicurezza se fissato con appositi dispositivi di serraggio o con una morsa e non tenendolo con la mano)
- Quando riponete l'utensile accertatevi che non ci siano parti in movimento e che il motore sia spento
- Usare cavi di prolunga completamente srotolati e sicure con una capacità di 16 Amp
- Nel caso di cattivo funzionamento elettrico o meccanico, spegnete subito l'utensile e staccate la spina
- La SKIL garantisce un perfetto funzionamento dell'utensile soltanto se vengono utilizzati accessori originali
- Questo utensile non dev'essere utilizzato da persone di età inferiore ai 16 anni
- Durante le operazioni di lavoro il livello di rumorosità può superare 85 dB(A); utilizzare le cuffie di protezione
- **Tenere l'utensile elettrico dalle superfici di serraggio isolate perché il nastro potrebbe entrare a contatto con il proprio cavo** (il taglio di un filo "sotto tensione" trasferisce tensione alle parti metalliche esposte dell'utensile elettrico e potrebbe provocare una scossa elettrica all'operatore)
- Se durante un'operazione di lavoro viene danneggiato oppure troncato il cavo, non toccare il cavo ma estrarre immediatamente la spina dalla presa
- Non usare l'utensile quando il cavo è danneggiato; farlo sostituire da personale qualificato
- Controllare che la tensione dell'alimentazione sia la stessa di quella indicata sulla targhetta dell'utensile (gli utensili con l'indicazione di 230V o 240V possono essere collegati anche alla rete di 220V)
- Questo utensile non può lavorare con acqua
- **Non lavorare mai materiali contenenti amianto** (l'amianto è ritenuto materiale cancerogeno)
- Le polveri di materiali come vernici contenenti piombo, alcune specie di legno, minerali e metallo possono essere nocive (il contatto con queste polveri o la loro inalazione possono causare reazioni allergiche e/o disturbi respiratori all'operatore o ad altre persone presenti sul posto); **indossare una maschera protettiva per la polvere e utilizzare un dispositivo per l'estrazione della polvere se è presente una presa di collegamento**
- Alcuni tipi di polvere sono classificati come cancerogeni (quali le polveri di quercia e faggio) specialmente se associate ad additivi per il trattamento del legno; **indossare una maschera protettiva per la polvere e utilizzare un dispositivo per l'estrazione della polvere se è presente una presa di collegamento**
- Rispettare le istruzioni nazionali riguardanti l'estrazione della polvere per i materiali in lavorazione
- Nella levigatura del metallo vengono generate scintille; non usare il sacchetto della polvere/la scatola della polvere/l'aspirapolvere e allontanare altre persone e materiali infiammabili dall'area di lavoro

- Evitare di toccare il nastro mentre questo si trova in movimento
- Non continuare ad usare nastri usurati, stagliati oppure già troppo carichi di materiale levigato
- Portare guanti protettivi, occhiali di protezione, abiti adatti ed aderenti al corpo e una protezione per i capelli (in caso di capelli lunghi)
- **Staccate sempre la spina dell'utensile prima di effettuare regolazioni o cambiare gli accessori**

USO

- Interruttore di acceso/spento
 - per accendere/spengere il vostro utensile schiacciare/rilasciare l'interruttore A ②
 - ! **prima che la superficie levigante raggiunga il pezzo in lavorazione, l'utensile deve essere acceso**
 - ! **prima di spegnere l'utensile, dovrete sollevarlo dal pezzo di lavorazione**
- Blocco dell'interruttore per il funzionamento continuo
 - schiacciare l'interruttore A ②
 - premere il pulsante B ② con il pollice
 - rilasciare l'interruttore
 - per sbloccarlo schiacciare nuovamente l'interruttore A ② e poi rilasciarlo
- Cambiamento rapido dei nastri abrasivi (sistema CLIC) ④
 - ! **estrarre la spina dalla presa**
 - alzate la leva C
 - asportate il nastro abrasivo
 - inserite il nuovo nastro, le frecce stampate al suo interno corrispondenti alla direzione della freccia D sull'utensile
 - abbassate la leva
 - ! **cambiare i nastri abrasivi per tempo**
 - ! **mai piegare i nastri abrasivi**
- Centraggio automatico del nastro (ABC)
 - centra il nastro automaticamente quando si accende l'utensile
 - mantiene il nastro centrato durante la levigatura
 In caso il nastro salta (per lo più a causa dalla qualità inferiore del nastro), dovete
 - accendete l'utensile
 - regolate la vite E ② finché il nastro abrasivo scorra in linea con la parte piana dell'utensile
 - usate un nuovo nastro, se questo continua a slittare dall'utensile
- Aspirazione della polvere ⑤
 - svuotare regolarmente la scatola G/il sacchetto F per ottimale raccolta della polvere
 - quando si usa l'utensile con l'aspiratore della polvere, montare l'adattatore per aspirapolvere H come da illustrazione (1215)
 - quando necessario, pulire anche il filtro come illustrato
 - ! **non usare la scatola della polvere/il sacchetto della polvere/l'aspirapolvere durante al smerigliatura del metallo**
- Tenuta e guida dell'utensile ⑥
 - tenere l'utensile parallelo alla superficie di lavoro
 - ! **durante la lavorazione, impugna l'utensile sempre in corrispondenza della(e) area(e) grigia(e)**

- ! **non applicare troppa pressione all'utensile; lasciare che sia la superficie levigante a lavorare per voi**
- non inclinare l'utensile per evitare segni di levigatura non voluti
- tenere scoperte le feritoie di ventilazione J ②

CONSIGLIO PRATICO

- Per levigare superfici rugose in legno, dare all'utensile movimenti dritti lungo le venature del legno
- Per levigare ogni altra superficie, muovere ovalmente l'utensile sul materiale
- Montare la cornice di levigatura K (accessori SKIL 2610398244) per pareggiare le superfici senza graffi o scanalature, ed assicurarsi che sia in posizione con sicurezza ⑦
- ! **la cornice di levigatura K diventa calda durante l'uso; non toccatela prima che si sia raffreddata**
- Mai eseguire lavorazioni con lo stesso nastro abrasivo su legno e su metallo
- Nastri abrasivi a grana raccomandata per i seguenti usi:

ruvida-	per togliere la vernice;per levigare legno molto ruvido
media-	per levigare legno ruvido
fine-	per lisciare legno;per rifinire legno nudo;per lisciare superfici con vernice vecchia
- Uso di diverse dimensioni di grana per superfici ruvide:
 - iniziare con un foglio a grana ruvida o media
 - terminare con un foglio a grana fine
- Per altri consigli consultare il sito www.skil.com

MANUTENZIONE / ASSISTENZA

- Questo utensile non è inteso per un uso professionale
- Tenete sempre puliti utensile e cavo (soprattutto le feritoie di ventilazione J ②)
 - asportare con un pennello la polvere da levigatura che sia rimasta attaccata
- ! **prima di pulire estrarre la spina dalla presa**
- Se nonostante gli accurati procedimenti di produzione e di controllo l'utensile dovesse guastarsi, la riparazione va fatta effettuare da un punto di assistenza autorizzato per gli elettrooutensili SKIL
 - inviare l'utensile **non smontato** assieme alle prove di acquisto al rivenditore oppure al più vicino centro assistenza SKIL (l'indirizzo ed il disegno delle parti di ricambio dell'utensile sono riportati su www.skil.com)

TUTELA DELL'AMBIENTE

- **Non gettare l'utensile elettrico, gli accessori e l'imballaggio tra i rifiuti domestici** (solo per paesi UE)
 - secondo la Direttiva Europea 2012/19/CE sui rifiuti di utensili elettrici ed elettronici e la sua attuazione in conformità alle norme nazionali, gli utensili elettrici esausti devono essere raccolti separatamente, al fine di essere reimpiegati in modo eco-compatibile
 - il simbolo ⑧ vi ricorderà questo fatto quando dovrete eliminarle

DICHIARAZIONE DEI CONFORMITÀ CE

- Assumendone la piena responsabilità, dichiariamo che il prodotto descritto nei "Dati tecnici" è conforme alle seguenti normative ed ai relativi documenti: EN 60745, EN 61000, EN 55014 in base alle prescrizioni delle direttive 2004/108/EG, 2006/42/EG, 2011/65/UE
- Fascicolo tecnico presso:** SKIL Europe BV (PT-SEU/ENG1), 4825 BD Breda, NL

Marijn van der Hoofden
Operations & Engineering

Olaf Dijkgraaf
Approval Manager

SKIL Europe BV, 4825 BD Breda, NL

09.12.2013

RUMOROSITÀ/VIBRAZIONE

- Misurato in conformità al EN 60745 il livello di pressione acustica di questo utensile è 87 dB(A) ed il livello di potenza acustica 98 dB(A) (deviazione standard: 3 dB), e la vibrazione 2,1 m/s² (metodo mano-braccio; incertezza K = 1,5 m/s²)
- Il livello di emissione delle vibrazioni è stato misurato in conformità a un test standardizzato stabilito dalla norma EN 60745; questo valore può essere utilizzato per mettere a confronto un l'utensile con un altro o come valutazione preliminare di esposizione alla vibrazione quando si impiega l'utensile per le applicazioni menzionate
 - se si utilizza l'utensile per applicazioni diverse, oppure con accessori differenti o in scarse condizioni, il livello di esposizione potrebbe **aumentare** notevolmente
 - i momenti in cui l'utensile è spento oppure è in funzione ma non viene effettivamente utilizzato per il lavoro, possono contribuire a **ridurre** il livello di esposizione

! proteggere dagli effetti della vibrazione effettuando la manutenzione dell'utensile e dei relativi accessori, mantenendo le mani calde e organizzando i metodi di lavoro

H

Szalagcsiszoló

1210/1215

BEVEZETÉS

- Ez a készülék fa, műanyagok, fémek, kitöltő anyagokkal bevont vagy festett felületek nagy teljesítménnyel történő szárazcsiszolására szolgál
- A szerszám nem professzionális használatra készült
- Olvassa el figyelmesen és őrizze meg a használati utasítást ③

MŰSZAKI ADATOK ①

SZERSZÁMGÉP ELEMEI ②

- A Be/ki kapcsológomb
- B Bekapcsolást reteszelő gomb
- C Csiszolószalag kioldó kar
- D Nyíl
- E Szalag központosító állítócsavar
- F Porzsák
- G Porzsák
- H Porszívó illesztőegység
- J Szellőzőnyílások
- K Csiszolókeret

BIZTONSÁG

ÁLTALÁNOS BIZTONSÁGI ELŐÍRÁSOK

⚠ FIGYELEM! Olvassa el az összes biztonsági figyelmeztetést és előírást. A következőkben leírt előírások betartásának elmulasztása áramütésekhez, tűzhez és/vagy súlyos testi sérülésekhez vezethet. **Kérjük a későbbi használatra gondosan őrizze meg ezeket az előírásokat.** Az alább alkalmazott elektromos kéziszerszám fogalom a hálózati elektromos kéziszerszámokat (hálózati csatlakozó kábelrel) és az akkumulátoros elektromos kéziszerszámokat (hálózati csatlakozó kábel nélkül) foglalja magában.

1) MUNKAHELYI BIZTONSÁG

- Tartsa tisztán és tartsa rendben a munkahelyét.** Rendetlen munkahelyek vagy megvilágítatlan munkaterületek balesetekhez vezethetnek.
- Ne dolgozzon az elektromos kéziszerszámmal olyan robbanásveszélyes környezetben, ahol éghető folyadékok, gázok vagy porok vannak.** Az elektromos kéziszerszámok szikrákat bocsáthatnak ki, amelyek meggyújthatják a port vagy a gőzöket.
- Tartsa távol a gyerekeket és az idegen személyeket a munkahelytől, ha az elektromos kéziszerszámot használja.** Ha elvonják a figyelmét a munkától, könnyen elvesztheti az uralmát a berendezés felett.

2) ELEKTROMOS BIZTONSÁGI ELŐÍRÁSOK

- A készülék csatlakozó dugójának bele kell illeszkednie a dugaszolóaljzatba. A csatlakozó dugót semmilyen módon sem szabad megváltoztatni. Védőföldeléssel ellátott készülékekkel kapcsolatban ne használjon csatlakozó adaptert.** A változtatás nélküli csatlakozó dugók és a megfelelő dugaszoló aljzatok csökkentik az áramütés kockázatát.
- Ne érjen hozzá földelt felületekhez, mint csövekhez, fűtőtestekhez, kályhákhoz és hűtőszekrényekhez.** Az áramütési veszély megnövekszik, ha a teste le van földelve.
- Tartsa távol az elektromos kéziszerszámot az esőtől és a nedvesség hatásaitól.** Ha víz hatol be egy elektromos kéziszerszámba, ez megnöveli az áramütés veszélyét.
- Ne használja a kábelt a rendeltetésétől eltérő célokra, vagyis a szerszámot soha ne hordozza vagy akassza fel a kábelnél fogva, és soha ne húzza ki a hálózati csatlakozó dugót a kábelnél fogva. Tartsa távol a kábelt hőforrásoktól, olajtól, éles**

élektől, sarkaktól és mozgó gépalkatrészekről. Egy megrongálódott vagy csomókkal teletel kábel megnöveli az áramütés veszélyét.

- e) **Ha egy elektromos kéziszerszámmal a szabad ég alatt dolgozik, csak a szabadban való használatra engedélyezett hosszabbítót használjon.** A szabadban való használatra engedélyezett hosszabbító használata csökkenti az áramütés veszélyét.
- f) **Ha nem lehet elkerülni az elektromos kéziszerszám nedves környezetben való használatát, alkalmazzon egy földzárlat megszakítót.** Egy földzárlat megszakító alkalmazása csökkenti az áramütés kockázatát.

3) SZEMÉLYI BIZTONSÁGI ELŐÍRÁSOK

- a) **Munka közben mindig figyeljen, ügyeljen arra, amit csinál, és megdölgőn dolgozzon az elektromos kéziszerszámmal. Ha fáradt, ha kábítószerek vagy alkohol hatása alatt áll, vagy orvosságokat vett be, ne használja a berendezést.** A berendezéssel végzett munka közben már egy pillanatnyi figyelmetlenség is komoly sérülésekhez vezethet.
- b) **Viseljen személyi védőfelszerelést és mindig viseljen védőszemüveget.** A személyi védőfelszerelések, mint porvédő álarc, csúszásbiztos védőcipő, védősapka és fülvédő használata az elektromos kéziszerszám használata jellegének megfelelően csökkenti a személyes sérülések kockázatát.
- c) **Kerülje el a készülék akaratlan üzembe helyezését. Győződjön meg arról, hogy az elektromos kéziszerszám ki van kapcsolva, mielőtt bedugná a csatlakozó dugót a dugaszolóaljzatba, csatlakoztatná az akkumulátor-csomagot, és mielőtt felvenné és vinni kezdené az elektromos kéziszerszámot.** Ha az elektromos kéziszerszám felemelése közben az újjat a kapcsolón tartja, vagy ha a készüléket bekapcsolt állapotban csatlakoztatja az áramforráshoz, ez balesetekhez vezethet.
- d) **Az elektromos kéziszerszám bekapcsolása előtt okvetlenül távolítsa el a beállító szerszámokat vagy csavarkulcsokat.** Az elektromos kéziszerszám forgó részeiben felejtett beállító szerszám vagy csavarkulcs sérüléseket okozhat.
- e) **Ne becsülje túl önmagát. Kerülje el a normálistól eltérő testtartást, ügyeljen arra, hogy mindig biztosan álljon és az egyensúlyát megtartsa.** Így az elektromos kéziszerszám felett váratlan helyzetekben is jobban tud uralkodni.
- f) **Viseljen megfelelő ruhát. Ne viseljen bő ruhát vagy ékszereket. Tartsa távol a haját, a ruháját és a kesztyűjét a mozgó részekről.** A bő ruhát, az ékszereket és a hosszú haját a mozgó alkatrészek magukkal ránthatják.
- g) **Ha az elektromos kéziszerszámra fel lehet szerelni a por elszívásához és összegyűjtéséhez szükséges berendezéseket, ellenőrizze, hogy azok megfelelő módon hozzá vannak kapcsolva a készülékhez és rendeltetésüknek megfelelően működnek.** A porgyűjtő berendezések használata csökkenti a munka során keletkező por veszélyes hatását.

4) AZ ELEKTROMOS KÉZISZERSZÁMOK GONDOS KEZELÉSE ÉS HASZNÁLATA

- a) **Ne terhelje túl az elektromos kéziszerszámot. A munkájához csak az arra szolgáló elektromos kéziszerszámot használja.** Egy alkalmas elektromos kéziszerszámmal a megadott teljesítménytartományon belül jobban és biztonságosabban lehet dolgozni.
 - b) **Ne használjon olyan elektromos kéziszerszámot, amelynek a kapcsolója elromlott.** Egy olyan elektromos kéziszerszám, amelyet nem lehet sem be-, sem kikapcsolni, veszélyes és meg kell javíttatni.
 - c) **Húzza ki a csatlakozó dugót a dugaszolóaljzatról és/vagy az akkumulátor-csomagot az elektromos kéziszerszámból, mielőtt az elektromos kéziszerszámon beállítási munkákat végez, tartozékokat cserél vagy a szerszámot tárolásra elteszi.** Ez az elővigyázatossági intézkedés megátalítja a szerszám akaratlan üzembe helyezését.
 - d) **A használaton kívüli elektromos kéziszerszámokat olyan helyen tárolja, ahol azokhoz gyerekek ne férhessenek hozzá. Ne hagyja, hogy olyan személyek használják az elektromos kéziszerszámot, akik nem ismerik a szerszámot, vagy nem olvasták el ezt az útmutatót.** Az elektromos kéziszerszámok veszélyesek, ha azokat gyakorlatlan személyek használják.
 - e) **A készüléket gondosan ápolja. Ellenőrizze, hogy a mozgó alkatrészek kifogástalanul működnek-e, nincsenek-e beszorulva, és nincsenek-e eltörve vagy megrongálódva olyan alkatrészek, amelyek hatással lehetnek az elektromos kéziszerszám működésére.** A megrongálódott részeket a készülék használata előtt javíttassa meg. Sok olyan baleset történik, amelyet az elektromos kéziszerszám nem kielégítő karbantartására lehet visszavezetni.
 - f) **Tartsa tisztán és éles állapotban a vágószerszámokat.** Az éles vágóélekkel rendelkező és gondosan ápolott vágószerszámok ritkábban ékelődnek be és azokat könnyebben lehet vezetni és irányítani.
 - g) **Az elektromos kéziszerszámokat, tartozékokat, betétszerszámokat stb. csak ezen előírásoknak használja. Vegye figyelembe a munkafeltételeket és a kivitelezendő munka sajátosságait.** Az elektromos kéziszerszám eredeti rendeltetésétől eltérő célokra való alkalmazása veszélyes helyzetekhez vezethet.
- ### 5) SZERVIZ
- a) **Az elektromos kéziszerszámot csak szakképzett személyzet és csak eredeti pótalkatrészek felhasználásával javíthatja.** Ez biztosítja, hogy az elektromos kéziszerszám biztonságos szerszám maradjon.

BIZTONSÁGI ELŐÍRÁSOK CSISZOLÓKHOZ

- **Ügyeljen arra, hogy a munkadarabban lévő csavar, szög vagy hasonló sérüléseket ne okozhasson; a munka megkezdése előtt eltávolítandó**
- **A gép mozgó részétől mindig tartsa távol az elektromos kábelt; terelje a tápkábelt a gép hátulja felé, a géptől elfelé**
- **Rögzítse a munkadarabot (befogókészülékkel vagy satuval befogott munkadarabot sokkal biztonságosabban lehet rögzíteni mint a kézzel tartottat)**

- A gépet soha ne hagyja bekapcsolt állapotban, ha már nem dolgozik vele
- Használjon teljesen letekert és biztonságos hosszabbítókábel, 16 A-es teljesítménnyel
- Normálból eltérő működés valamint szokatlan, idegen hangok esetén a készüléket azonnal kapcsolja ki és a kábell húzza ki a fali dugaszoló aljzatból
- SKIL cég kizárólag eredeti alkatrészek és kiegészítők alkalmazása esetén tudja garantálni a gép problémamentes működését
- A készüléket csak 16 éven felüli személyek használják
- Munka közben a zaj meghaladhatja a 85 dB(A); használjon fülvédőt
- **Az elektromos kéziszerszámot csak a szigetelt fogantyúfelületeknél fogja meg, mert a szalag elérheti a készülék saját hálózati vezetékét** (ha az elektromos kéziszerszám elvág egy feszültség alatt álló vezeték, a fémrészei szintén feszültség alá kerülnek, ami áramütéshez vezet)
- Ha a kábel munka közben megsérül vagy el van vága, ne érjen a kábelhoz, hanem azonnal húzza ki a konektorból
- Soha ne használja a szerszámot ha a kábel sérült; cseréltesse ki szakértő által
- Mindig ellenőrizze, hogy a hálózati feszültség megegyezik-e a gép adattábláján feltüntetett értékkel (a 230V vagy 240V jelzésű gépek 220V feszültségre is csatlakoztathatók)
- Ez a készülék nedves csiszolási munkálatokhoz nem használható
- **Ne munkáljon meg a berendezéssel azbesztes tartalmú anyagokat** (az azbesztesnek rákkeltő hatása van)
- Az anyagból származó por (mint például az ólomot, néhány fafajtát, ásványi anyagokat és fémeket tartalmazó festék) káros lehet (a por érintése vagy belégzése allergiás reakciókat és/vagy légzőszervi betegségeket okozhat a kezelő, illetve a közelben állók esetében); **viseljen pormaszkot és amennyiben csatlakoztatható, dolgozzon porszívó berendezéssel**
- Bizonyos porfajták rákkeltő besorolással rendelkeznek (ilyen például a tölgypora és a bükkfa-pora), különösen a fa kondicionálására szolgáló adalékokkal együtt; **viseljen pormaszkot és amennyiben csatlakoztatható, dolgozzon porszívó berendezéssel**
- Kövesse a por kezelésével kapcsolatos helyi előírásokat azon termékkel kapcsolatosan, amellyel dolgozni kíván
- Fém csiszolásakor szikra keletkezik; ne használjon porzsákot/porszívót; ügyeljen arra, hogy senki ne tartózkodjon a munkaterületen, és ne legyen a közelben gyúlékony anyag
- Ne nyúljon a mozgásban lévő csiszolószalaghoz
- Ne üzemeltesse a csiszológépet kopott, szakadt vagy erősen szoruló csiszolószalaggal
- Viseljen védőkesztyűt, védőszemüveget, testhez álló ruházatot és ügyeljen haja védelmére (hosszú haj esetén)
- **Mindig húzza ki a dugaszolóaljzatot mielőtt tartozékot cserélne vagy bármit változtatna a gép beállításán**

KEZELÉS

- Be/Ki kapcsológomb
 - a gépet az A ② kapcsoló lenyomásával bekapcsoljuk és felengedésével kikapcsoljuk
 - ! **először kapcsoljuk be a gépet, és csak azután vesszük a munkadarabra**
 - ! **kikapcsolás előtt készülékét távolítsa el a munkadarabtól**
- Kapcsolórögzőítő folyamatos használat esetére
 - nyomjuk be az A ② kapcsolót
 - nyomjuk be a B ② gombot
 - engedjük el kapcsolót
 - a rögzítés kioldása az A ② kapcsoló újbóli lenyomásával történik
- Csiszolószalag gyors cseréje (CLIC-rendszer) ④
 - ! **húzzuk ki a kábel dugóját a csatlakozóaljzatból**
 - emeljük fel a C kart
 - vegyük ki a csiszolószalagot
 - helyezzük be az új szalagot úgy, hogy a szalag belső oldalára nyomtatott nyíl D ugyanabba az irányba mutasson mint a gépen
 - a kart vissza nyomja le
 - ! **időben cseréljük ki a csiszolószalagot**
 - ! **a csiszolószalagot soha ne hajtogassuk össze**
- Automatikus szalagközpontosítás (ABC)
 - a gép felkapcsolásakor automatikusan középre helyezi a szalagot
 - csiszolás során középen tartja a szalagot

Abban az esetben, ha a szalag lecsúszik a gépről (leginkább a gyengébb minőségűek esetén fordul elő) a tennivaló a következő:

 - kapcsolja be a gépet
 - az E ② csavarral állítsuk be addig, amíg a csiszolószalag a gép lapos oldalán nem fut
 - használjunk új szalagot, amennyiben az még ezek után is lecsúszik
- Por elszívás ⑤
 - a porzsákot G/F időben történő ürítése segíti a tökéletes porgyűjtést
 - ha a gépet porszívóval használja, az H porszívó illesztőegységet szerelje fel az illusztráció szerint (1215)
 - szükség szerint tisztítsa meg a szűrőből is az ábrán látható módon
 - ! **ne használjon porzsákot/porszívót fém csiszolásakor**
- A gép vezetése és tartása ⑥
 - a gépet tartsa párhuzamosan a megmunkálandó felülettel
 - ! **munka közben mindvégig tartsa gépet a szürke színű markolati terület(ek)en**
 - ! **ne gyakoroljon túl nagy nyomást a gépre; hagyja azt egyedül dolgozni**
 - mindig a teljes felülettel csiszoljon, hogy a nemkívánatos csiszolási nyomokat elkerülje
 - a szellőzőnyílásokat J ② mindig tartsa szabadon

HASZNÁLAT

- Kezeletlen, durva felületeknél a gépet egyenes vonalban az anyag széleivel párhuzamosan vesszük
- Az összes egyéb felület csiszolásakor a szerszámot ovális mozdulatokkal vigyük végig a felületen

- Az K csiszolókeretet karcoktól (2610398244 SKIL tartozék) és hornyoktól mentes felületek kiegyenlítésére javasolt felszerelni, és ügyeljen arra, hogy az biztonságosan a helyén legyen ⑦
- ! használat közben az K csiszolókeret felmelegszik, ne érintse meg, amíg le nem hűlt**
- Soha ne használjuk ugyanazt a csiszolószalagot fa és fém esetén
- Ajánlott szemcsefinomságok:
 - durva- festék eltávolításához; különösen nyers fa csiszolásához
 - közepes- nyers fa vagy közönséges facsiszolásához
 - finom- fa simításához; kezeletlen fa csiszolásához; régi festékes fafelület simításához
- Nyers felület megmunkálásánál használjunk különböző szemcsenagyságú csiszolópapírt:
 - először durva vagy közepes szemcsenagyságot
 - végül finom szemcsését
- A www.skil.com címen még több ötletet és javaslatot talál

KARBANTARTÁS / SZERVIZ

- A szerszám nem professzionális használatra készült
- Mindig tartsa tisztán a gépet és a vezetéket (különös tekintettel a szellőzőnyílásokra J ②)
- kefe segítségével távolítsa el a szerszámmra tapadt csiszolóport
- ! tisztítás előtt húzza ki a csatlakozódugót**
- Ha a gép a gondos gyártási és ellenőrzési eljárás ellenére egyszer mégis meghibásodna, akkor a javítással csak SKIL elektromos kéziszerszám-műhely ügyfélszolgálatát szabad megbízni
 - küldje az **összeszerelt** gépet a vásárlást bizonyító számlával együtt a kereskedő vagy a legközelebbi SKIL szervizállomás címére (a címlista és a gép szervizdiagramja a www.skil.com címen található)

KÖRNYEZET

- Az elektromos kéziszerszámokat, tartozékokat és csomagolást ne dobja a háztartási szemétkébe** (csak EU-országok számára)
 - a használt villamos és elektronikai készülékekről szóló 2012/19/EK irányelv és annak a nemzeti jogba való átültetése szerint az elhasznált elektromos kéziszerszámokat külön kell gyűjteni, és környezetbarát módon újra kell hasznosítani
 - erre emlékeztet a ⑧ jelzés, amennyiben felmerül az intézkedésre való igény

MEGFELELŐSÉGI NYILATKOZAT C E

- Egyedüli felelősséggel kijelentjük, hogy a "Műszaki adatok" alatt leírt termék megfelel a következő szabványoknak, illetve irányadó dokumentumoknak: EN 60745, EN 61000, EN 55014 a 2004/108/EK, 2006/42/EK, 2011/65/EU irányelveknek megfelelően

- A műszaki dokumentáció a következő helyen található:** SKIL Europe BV (PT-SEU/ENG1), 4825 BD Breda, NL

Marijn van der Hoofden
Operations & Engineering

Olaf Dijkgraaf
Approval Manager

SKIL Europe BV, 4825 BD Breda, NL

09.12.2013

ZAJ/REZGÉS

- Az EN 60745 alapján végzett mérések szerint ezen készülék hangnyomás szintje 87 dB(A) a hangteljesítmény szintje 98 dB(A) (normál eltérés: 3 dB), a rezgésszám 2,1 m/s² (kézre-ható érték; szórás K = 1,5 m/s²)
- A rezgés-kibocsátási szint mérése az EN 60745 szabványban meghatározott szabványosított teszttel összhangban történt; ez egy eszköznek egy másik eszközzel történő összehasonlítására, illetve a rezgésnek való kitettség előzetes felmérésére használható fel az eszköznek az említett alkalmazásokra történő felhasználása során
 - az eszköznek eltérő alkalmazásokra, vagy eltérő, illetve rosszul karbantartott tartozékokkal történő felhasználása jelentősen **emelheti** a kitettség szintjét
 - az idő, amikor az eszköz ki van kapcsolva, vagy amikor ugyan működik, de ténylegesen nem végez munkát, jelentősen **csökkentheti** a kitettség szintjét
- ! az eszköz és tartozékai karbantartásával, kezének melegen tartásával, és munkavégzésének megszervezésével védje meg magát a rezgések hatásaitól**

CZ

Pásová bruska

1210/1215

ÚVOD

- Toto náradí je určeno k broušení dřeva za sucha, plastů, kovů, melu a lakovaných povrchů větším opotřebením
- Tento nástroj není určen k profesionálnímu použití
- Tento návod s pokyny si pečlivě přečtěte a uschovejte ③

TECHNICKÁ DATA ①

SOUČÁSTI NÁSTROJE ②

- A Spinač "zapnuto/vypnuto"
- B Knoflík pro zajištění hlavního spínače "zapnuto/vypnuto"
- C Páčka pro výměnu brusného pásu
- D Šipka
- E Šroub pro nastavení vystředění pásu
- F Prachový sáček
- G Lapač prachu
- H Adaptér vysavače
- J Větrací štěbiny
- K Brusný rám

BEZPEČNOST

VŠEOBECNÉ BEZPEČNOSTNÍ PŘEDPISY

⚠️ POZOR! Čtete všechna varovná upozornění a pokyny. Zanedbání při dodržování varovných upozornění a pokynů mohou mít za následek úder elektrickým proudem, požár a/nebo těžká poranění. **Všchna varovná upozornění a pokyny do budoucna uschovejte.** Ve varovných upozorněních použitý pojem "elektronářadí" se vztahuje na elektronářadí provozované na el. síti (se síťovým kabelem) a na elektronářadí provozované na akumulátoru (bez síťového kabelu).

1) BEZPEČNOST PRACOVNÍHO MÍSTA

- a) **Udržujte Vaše pracovní místo čisté a uklizené.** Nepořádek nebo neosvětlené pracovní oblasti mohou vést k úrazům.
- b) **Se strojem nepracujte v prostředích ohrožených explozí, kde se nacházejí hořlavé kapaliny, plyny nebo prach.** Elektronářadí vytváří jiskry, které mohou prach nebo páry zapálit.
- c) **Děti a jiné osoby udržujte při použití elektronářadí daleko od Vašeho pracovního místa.** Při rozptýlení můžete ztratit kontrolu nad strojem.

2) ELEKTRICKÁ BEZPEČNOST

- a) **Připojovací zástrčka stroje musí lícovat se zásuvkou. Zástrčka nesmí být žádným způsobem upravena. Společně se stroji s ochranným uzemněním nepoužívejte žádné adaptérové zástrčky.** Neupravené zástrčky a vhodné zásuvky snižují riziko elektrického úderu.
- b) **Zabraňte kontaktu těla s uzemněnými povrchy, jako např. potrubí, topení, sporáky a chladničky.** Je-li Vaše tělo uzemněno, existuje zvýšené riziko elektrického úderu.
- c) **Chraňte stroj před deštěm a vlhkem.** Vniknutí vody do elektrického stroje zvyšuje nebezpečí elektrického úderu.
- d) **Dbejte na účel kabelu, nepoužívejte jej k nošení či zavěšení stroje nebo vytažení zástrčky ze zásuvky. Udržujte kabel daleko od tepla, oleje, ostrých hran nebo pohyblivých dílů stroje.** Poškozené nebo spletené kabely zvyšují riziko elektrického úderu.
- e) **Pokud pracujete s elektronářadím venku, použijte pouze takové prodlužovací kabely, které jsou schváleny i pro venkovní použití.** Použití prodlužovacího kabelu, jež je vhodný pro použití venku, snižuje riziko elektrického úderu.
- f) **Pokud se nelze vyhnout provozu elektronářadí ve vlhkém prostředí, použijte ochranný jistič.** Nasazení ochranného jističe snižuje riziko úderu elektrickým proudem.

3) BEZPEČNOST OSOB

- a) **Bud'te pozorní, dávejte pozor na to, co děláte a přistupujte k práci s elektronářadím rozumně. Stroj nepoužívejte pokud jste unavení nebo pod vlivem drog, alkoholu nebo léků.** Moment nepozornosti při použití elektronářadí může vést k vážným poraněním.
- b) **Noste osobní ochranné pomůcky a vždy ochranné brýle.** Nošení osobních ochranných pomůček jako maska proti prachu, bezpečnostní obuv s protiskluzovou podrážkou, ochranná přilba nebo sluchátka, podle druhu nasazení elektronářadí, snižují riziko poranění.

- c) **Zabraňte neúmyslnému uvedení do provozu. Přesvědčte se, že je elektronářadí vypnuté dříve než jej uchopíte, poneseťe či připojíte na zdroj proudu a/ nebo akumulátor.** Máte-li při nošení elektronářadí prst na spínači nebo pokud stroj připojíte ke zdroji proudu zapnutý, pak to může vést k úrazům.
 - d) **Než stroj zapnete, odstraňte seřizovací nástroje nebo šroubovák.** Nástroj nebo klíč, který se nachází v otáčivém dílu stroje, může vést k poranění.
 - e) **Nepřeceňujte se. Zajistěte si bezpečný postoj a vždy udržujte rovnováhu.** Tím můžete stroj v neočekávaných situacích lépe kontrolovat.
 - f) **Noste vhodný oděv. Nenoste žádný volný oděv nebo šperky. Vlasy, oděv a rukavice udržujte daleko od pohybujících se dílů.** Volný oděv, šperky nebo dlouhé vlasy mohou být zachyceny pohybujícími se díly.
 - g) **Lze-li namontovat odsávací či zachycující přípravky, přesvědčte se, že jsou připojeny a správně použity.** Použití odsávání prachu může snížit ohrožení prachem.
- ### 4) SVĚDOMITĚ ZACHÁZENÍ A POUŽÍVÁNÍ ELEKTRONÁŘADÍ
- a) **Stroj nepřetěžujte. Pro svou práci použijte k tomu určený stroj.** S vhodným elektronářadím budete pracovat v udané oblasti výkonu lépe a bezpečněji.
 - b) **Nepoužívejte žádné elektronářadí, jehož spínač je vadný.** Elektronářadí, které nelze zapnout či vypnout je nebezpečné a musí se opravit.
 - c) **Než provedete seřízení stroje, výměnu dílů příslušenství nebo stroj odložte, vytáhněte zástrčku ze zásuvky a/nebo odstraňte akumulátor.** Toto preventivní opatření zabrání neúmyslnému zapnutí stroje.
 - d) **Uchovávejte nepoužívané elektronářadí mimo dosah dětí. Nenechte stroj používat osobám, které se strojem nejsou seznámeny nebo nečetly tyto pokyny.** Elektronářadí je nebezpečné, je-li používáno nezkušenými osobami.
 - e) **Pečujte o stroj svědomitě. Zkontrolujte, zda pohyblivé díly stroje bezvadně fungují a nevzpříčují se, zda díly nejsou zlomené nebo poškozené tak, že je omezena funkce stroje. Poškozené díly nechte před nasazením stroje opravit.** Mnoho úrazů má příčinu ve špatně udržovaném elektronářadí.
 - f) **Řezné nástroje udržujte ostré a čisté.** Pečlivě ošetřované řezné nástroje s ostrými řeznými hranami se méně vzpříčují a dají se lehčeji vést.
 - g) **Používejte elektronářadí, příslušenství, nasazovací nástroje apod. podle těchto pokynů. Respektujte přitom pracovní podmínky a prováděnou činnost.** Použití elektronářadí pro jiné než určující použití může vést k nebezpečným situacím.

5) SERVIS

- a) **Nechte Váš stroj opravit pouze kvalifikovanými odbornými personálem a pouze s originálními náhradními díly.** Tím bude zajištěno, že bezpečnost stroje zůstane zachována.

BEZPEČNOSTNÍ PŘEDPISY PRO BRUSKY

- Vrtačku nepoužívejte je-li navlhla a nepracujte v blízkosti snadno zápalných nebo výbušných materiálů; před zahájením práce je odstraňte
- Šňůru udržujte vždy mimo dosah pohyblivých částí nástroje; šňůru nasměřujte dozadu, pryč od nástroje

- **Zajistěte obráběný díl** (obráběný díl uchycený pomocí upínacích zařízení nebo ve svěráku je mnohem bezpečnější než v ruce)
- Jakkmile se hodláte vzdálit od nářadí, měl byste ho vypnout a vyčkat, dokud se pohybující části nezastaví
- Používejte zcela rozvinuté a bezpečné prodlužovací šňůry o kapacitě 16 ampér
- V případě atypického chování nebo cizích hluků ihned vypněte nářadí a vytáhněte zástrčku
- SKIL zajistí bezvadnou funkci nářadí pouze tehdy, používáte-li původní značkové
- Tento nástroj nesmí používat osoby mladší 16 let
- Hladina hluku může při práci přesáhnout 85 dB(A); vhodným prostředkem si chráňte udi
- **Držte elektronářadí na izolovaných uchopovacích plochách, protože pás se může dotknout vlastního kabelu** (kontakt s vodičem "pod proudem" způsobí přenos proudu do neizolovaných částí nástroje a přivodí uživateli úraz)
- Jestliže přírodní šňůru při práci podkoříte nebo proříznete, nedotýkejte se jí a okamžitě ji vytáhněte ze síťové zásuvky
- Pila se nesmí používat, je-li její přírodní šňůra poškozená; nechte si je kvalifikovaným pracovníkem vyměnit
- Vždy zkontrolujte, zda je napájecí napětí stejné jako napětí uvedené na typovém štítku nástroje (nářadí určené k napájení 230V nebo 240V lze použít též v síti 220V)
- Tento nářadí není vhodný k broušení za mokra
- **Nepracovávajte žádný materiál obsahující azbest** (azbest je karcinogenní)
- Prach z látek, jako jsou barvy obsahující olovo, některé druhy dřeva, minerály a kovy, může být škodlivý (kontakt s prachem nebo jeho vdechnutí může způsobit alergickou reakci a/nebo vyvolat respirační choroby u obsluhy nebo přihlížejících); **noše protiprachovou masku a pracujte se zařízením na odsávání prachu, pokud je možné jej připojit**
- Některé druhy prachu jsou klasifikovány jako karcinogenní (například dubový a bukový prach) zejména ve spojení s přísadami pro úpravu dřeva; **noše protiprachovou masku a pracujte se zařízením na odsávání prachu, pokud je možné jej připojit**
- Dodržujte stanovená nařízení pro práci v prašném prostředí
- Při broušení vznikají jiskry; nepoužívejte prachový sáček/lapač prachu/odsávání a pracoviště udržujte čisté a nepouštějte k němu neoprávněné osoby
- Nedotýkejte se pohybujícího se brusného pásu
- Opotřebovaný, natržený nebo zanesený brusný pás vždy ihned vyměňte
- Při práci použijte ochranné rukavice, ochranné brýle, sítku na vlasy (dlouhé) a oděv, který se nástrojem nemůže zachytit
- **Před seřizováním, měněním pilových listů a příslušenství, vždy vytáhněte zástrčku nářadí z el. sítě**

OBSLUHA

- Spínač "zapnuto/vypnuto"
 - zapněte/vypněte nářadí stisknutím/uvolněním vypínače A ②
 - ! **brusku nejprve zapněte a pak přiložte brousící plochou na obráběný předmět**
 - ! **před vypnutím nářadí nejprve odejměte od obrobku**
 - Aretace spínače pro nepřetržité použití
 - stiskem vypínače A ②
 - stiskněte knoflík B ② palcem
 - vypínač uvolnit
 - další stisknutím vypínače A ② se knoflík uvolní
 - Rychlá výměna brusného pásu (systém CLIC) ④
 - ! **rozpojte přírodní šňůru**
 - uvolnit páku napínání C
 - vyjmout brusný pás
 - vložit nový brusný pás se šípkami na vnitřní straně pásu ukazující ve stejném směru jako šípka D na nářadí
 - páku napínání ztláčit nazpět
 - ! **brusný pás vyměňte věas**
 - ! **brusné pásy se nesmí překládat**
 - Automatické středování pásu (ABC)
 - při zapnutí nástroje pás automaticky vystředuje
 - při broušení udržuje pás vystředovaný
 - V případě, že pás z nástroje sklouzne (způsobeno většinou nekvalitním pásem), musíte
 - zapněte nářadí
 - šroub E ② otočit až se brusný pás téměř uzavře se stranou zavádění pásu nářadí
 - jestliže pás opět sklouzne, vyměňte jej
 - Odsávání prachu ⑤
 - k zajištění optimálního odsávání prachu pravidelně vyprázdněte lapač G/sáček F
 - při používání nářadí s odsáváním, namontovat otvor odsávání H, jak to ukazuje obrázek (1215)
 - v případě potřeby též vyčistěte filtru podle obrázku
 - ! **při broušení kovů lapač prachu/prachový sáček/ vysavač nepoužívejte**
 - Držení a vedení nástroje ⑥
 - udržujte brusku rovnoběžně s obráběnou plochou
 - ! **při práci vždy držte nástroj v šedě zbarvené oblasti rukojeti**
 - ! **na nářadí přílid netlačte, nechte pracovat brousící plochu za vás**
 - zabráníte tak vzniku nežadoucích rýh na obráběném materiálu
 - udržujte větrací šterbiny J ② nezakryté
- ## NÁVOD K POUŽITÍ
- Pro hrubé broušení pohybujte nářadím v podélném směru
 - Pro dosažení jemného povrchu je nutné se pohybovat po povrchu kroužením
 - Upevněte brusný rám K (SKIL příslušenství 2610398244) v případě, že potřebujete vyrovnat povrchy bez poškrábání nebo drážek, a zkontrolujte, zda je pevně na místě ⑦
 - ! **brusný rám K se během používání velmi zahřívá; nedotýkejte se ho, dokud nevychladne**

- Dřevo a kovy se nesmí brousit stejným brusným pásem
- Doporučená zrnitost brusného pásu
 - hrubý- k odstranění barev; k broušení velmi hrubého dřeva
 - střední- k broušení hrubého nebo hladkého dřeva
 - jemný- k vyhlazování dřeva; k zabroušení neopracovaných hladkých ploch na dřevě; k vyhlazování ploch se zbytky staré barvy
- Použijte různé zrnění, jestliže je opracovaná plocha hrubá
 - zpočátku použijte papír se hrubým nebo středním zrněním
 - práci dokončete papírem s jemným zrněním
- Další tipy najdete na www.skil.com

ÚDRŽBA / SERVIS

- Tento nástroj není určen k profesionálnímu použití
- Nástroj a přívodní šňůru udržujte čisté (zejména větrací štěrby J ②)
 - brusný prach Inouci k nástroji odstraňte kartáčem
- **! před čištěním odpojte zástrčku**
- Pokud dojde i přes pečlivou výrobu a náročné kontroly k poruše nástroje, svěřte provedení opravy autorizovanému servisnímu středisku pro elektronářadí firmy SKIL
 - zašlete nástroj **nerozebraný** spolu s potvrzením o nákupu své prodejné nebo nejbližšímu servisu značky SKIL (adresy a servisní schéma nástroje najdete na www.skil.com)

ŽIVOTNÍ PROSTŘEDÍ

- **Elektrické nářadí, doplňky a balení nevyhazujte do komunálního odpadu** (jen pro státy EU)
 - podle evropské směrnice 2012/19/EG o nakládání s použitými elektrickými a elektronickými zařízeními a odpovídajících ustanovení právních předpisů jednotlivých zemí se použité elektrické nářadí, musí sbírat odděleně od ostatního odpadu a podrobit ekologicky šetrnému recyklování
 - symbol ⑧ na to upozorňuje

PROHLÁŠENÍ O SHODĚ CE

- Prohlašujeme v plné naší zodpovědnosti, že v odstavci "Technická data" popsaný výrobek je v souladu s následujícími normami nebo normativními dokumenty: EN 60745, EN 61000, EN 55014, podle ustanovení směrnice 2004/108/ES, 2006/42/ES, 2011/65/EU
- **Technická dokumentace** u: SKIL Europe BV (PT-SEU/ENG1), 4825 BD Breda, NL

Marijn van der Hoofden
Operations & Engineering

Olaf Dijkgraaf
Approval Manager

SKIL Europe BV, 4825 BD Breda, NL

09.12.2013

HLUČNOSTI/VIBRACÍ

- Měřeno podle EN 60745 činí tlak hlukové vlny tohoto přístroje 87 dB(A) a dávka hlučnosti 98 dB(A) (standardní odchylka: 3 dB), a vibrací 2,1 m/s² (metoda ruka-paže; nepřesnost K = 1,5 m/s²)
- Úroveň vibrací byla měřena v souladu se standardizovaným testem podle EN 60745; je možné ji použít ke srovnání jednoho přístroje s druhým a jako předběžné posouzení vystavování se vibracím při používání přístroje k uvedeným aplikacím
 - používání přístroje k jiným aplikacím nebo s jiným či špatně udržovaným příslušenstvím může zásadně **zvýšit** úroveň vystavení se vibracím
 - doba, kdy je přístroj vypnutý nebo kdy běží, ale ve skutečnosti není využíván, může zásadně **snížit** úroveň vystavení se vibracím
- **! chráňte se před následky vibrací tak, že budete dbát na údržbu přístroje a příslušenství, budete si udržovat teplé ruce a uspořádáte si své pracovní postupy**

TR

Tank zımpara

1210/1215

GİRİS

- Bu aletle tahta, plastik, metal, macunlu ve boyalı yüzeylerin zımparalanması için geliştirilmiştir, zımparalama performansını oldukça yüksektir
- Bu alet profesyonel kullanıma yönelik değildir
- Bu kullanma kılavuzunu okuyun ve saklayın ③

TEKNİK VERİLER ①

ALET BİLEŞENLERİ ②

- A Açma/kapama şalteri
- B Açma/kapama şalteri kilit düğmesi
- C Zımpara kayışını değiştirme kol
- D Ok
- E Kayışı ortalama vidası
- F Toz torbası
- G Toz torbası
- H Süpürge bağlantısı
- J Havalandırma yuvaları
- K Zımpara çerçevesi

GÜVENLİK

GENEL GÜVENLİK TALİMATI

⚠ DİKKAT! Bütün uyarıları ve talimat hükümlerini okuyun. Açıklanan uyarılara ve talimat hükümlerine uyulmadığı takdirde elektrik çarpmalarına, yangınlara ve/veya ağır yaralanmalara neden olunabilir. **Bütün uyarıları ve talimat hükümlerini ilerde kullanmak üzere saklayın.** Uyarı ve talimat hükümlerinde kullanılan "elektrikli el aleti" kavramı, akım şebekesine bağlı (şebeke bağlantı kablosu ile) aletlerle akü ile çalışan aletleri (akım şebekesine bağlantısı olmayan aletler) kapsamaktadır.

1) ÇALIŞMA YERİ GÜVENLİĞİ

- a) **Çalıştığınız yeri temiz ve düzenli tutun.** İşyerindeki düzensizlik veya yetersiz aydınlatma kazalara neden olabilir.
- b) **Yanıcı sıvıların, gazların veya tozların bulunduğunu patlama tehlikesi olan yer ve mekânlarda aletinizle çalışmayın.** Elektrikli el aletleri, toz veya buharların tutuşmasına veya yanmasına neden olan kıvılcımlar çıkarırlar.
- c) **Elektrikli el aletinizle çalışırken çocukları ve başkalarını çalışma alanınızın uzağında tutun.** Yakınızdaki bulunan kişiler dikkatinizi dağıtabilir ve bu da alet üzerindeki kontrolünüzü kaybetmenize neden olabilir.

2) ELEKTRİKSEL GÜVENLİK

- a) **Aletinize bağlantı fişi prize uymalıdır. Fişi hiçbir şekilde değiştirmeyin. Koruyucu topraklamalı aletlerle adaptörlü fiş kullanmayın.** Değiştirilmemiş, orijinal fiş ve uygun prizler elektrik çarpması tehlikesini azaltır.
- b) **Borular, kalorifer tesisatı, ısıtıcılar ve buzdolapları gibi topraklanmış yüzeylerle bedensel temasa gelmekten kaçının.** Eğer bedeniniz topraklanacak olursa yüksek bir elektrik çarpması tehlikesi ortaya çıkar.
- c) **Aletinizi yağmur ve nemden koruyun.** Elektrikli el aletinin içine suyun sızması elektrik çarpması tehlikesini yükseltir.
- d) **Kabloyu kendi amacı dışında kullanmayın; örneğin aleti kablodan tutarak taşımayın, aleti kablo ile asmayın veya kablodan çekerek fişi prizden çıkarmayın.** Kabloyu aşırı sıcaktan, yağlardan, keskin kenarlı cisimlerden veya aletin hareketli parçalarından uzak tutun. Hasarlı veya dolaşmış kablo elektrik çarpması tehlikesini yükseltir.
- e) **Elektrikli el aletinizle açık havada çalışırken mutlaka açık havada kullanılmaya müsadeeli uzatma kablosu kullanın.** Açık havada kullanılmaya uygun ve müsadeeli uzatma kablosunun kullanılması elektrik çarpması tehlikesini azaltır.
- f) **Elektrikli el aletinin nemli ortamlarda çalıştırılması şartsa, mutlaka toprak kaçağı devre kesicisi kullanın.** Toprak kaçağı devre kesicisi kullanımı elektrik çarpması tehlikesini azaltır.

3) KİŞİLERİN GÜVENLİĞİ

- a) **Dikkatli olun, ne yaptığınıza dikkat edin ve elektrikli el aletinizle çalışırken makul hareket edin.** Yorgunsanız, hap, ilaç veya alkol almışsanız aletinizi kullanmayın. Aletinizi kullanırken bir anlık dikkatsizliğiniz ciddi yaralanmalara yol açabilir.
- b) **Daima kişisel korunma donanımları ve bir koruyucu gözlük kullanın.** Elektrikli el aletinin türü ve kullanımına uygun olarak kullanacağınız toz maskesi, kaymayan sağlam iş ayakkabıları, koruyucu kask veya koruyucu kulaklık gibi kişisel korunma donanımlarını kullanmanız yaralanma tehlikesini büyük ölçüde azaltır.
- c) **Aleti yanlışlıkla çalıştırmaktan kaçının. Akım ikmal şebekesine ve/veya aküye bağlamadan, elinize alıp taşımadan önce elektrikli el aletinin kapalı durumda olduğundan emin olun.** Elektrikli el aletini parmağınız şalter üzerinde dururken taşırırsanız ve alet açıkken fişi prize sokarsanız kazalara neden olabilirsiniz.
- d) **Aleti çalıştırmadan önce ayar aletlerini veya tornavidaları aletten uzaklaştırın.** Dönen alet

parçasına temas halinde bulunan bir uç veya anahtar yaralanmalara neden olabilir.

- e) **Kendinize çok fazla güvenmeyin. Duruşunuzun güvenli olmasına dikkat edin ve daima dengeyi koruyun.** Bu sayede aletinizi beklenmedik durumlarda daha iyi kontrol edersiniz.
 - f) **Uygun iş giysileri giyin. Çalışırken çok bol giysiler giymeyin ve takı takmayın. Saçlarınızı, giysilerinizi ve eldivenlerinizi aletin hareketli parçalarından uzak tutun.** Bol giysiler, takılar veya uzun saçlar aletin hareketli parçaları tarafından tutulabilir.
 - g) **Aletinize toz emme donanımı ve toz tutma donanımı takılabiliyorsa, bunların bağlı olup olmadığını ve doğru işlev görüp görmediklerini kontrol edin.** Toz emme donanımının kullanımı tozdan kaynaklanabilecek tehlikeleri azaltır.
- ### 4) ELEKTRİKLİ EL ALETLERİYLE DİKKATLİ ÇALIŞMAK VE ALETİ DOĞRU KULLANMAK
- a) **Aletinizi aşırı ölçüde zorlamayın. İşinize uygun elektrikli el aletini kullanın.** Uygun elektrikli el aleti ile belirtilen performans alanında daha iyi ve daha güvenli çalışırsınız.
 - b) **Açma/kapama şalteri arızalı olan elektrikli el aletini kullanmayın.** Açılıp kapanmayan bir elektrikli el aleti tehlikelidir ve onarılması gerekir.
 - c) **Alette bir ayarlama işlemine başlamadan ve/veya aküyü çıkarmadan önce, herhangi bir aksesuarı değiştirirken veya aleti elinizden bırakırken fişi prizden çekin.** Bu önlem, aletin kontrolünüz dışında ve istenmeden çalışmasını önler.
 - d) **Kullanım dışında iken elektrikli el aletinizi çocukların ulaşamayacağı bir yerde saklayın. Aleti kullanmayı bilmeyen veya bu güvenlik talimatını okumayan kişilerin aleti kullanmasına izin vermeyin.** Deneyimsiz kişiler tarafından kullanıldıkları takdirde elektrikli el aletleri tehlikeli olabilirler.
 - e) **Aletinizin bakımını özenle yapın. Aletin hareketli parçalarının kusursuz işlev görüp görmediklerini ve sıkışmadıklarını, parçaların kırık veya hasarlı olup olmadıklarını kontrol edin, aksi takdirde alet işlevini tam olarak yerine getiremez. Aletinizi kullanmadan önce hasarlı parçaları onartın.** Birçok iş kazası aletlerin kötü ve yetersiz bakımından kaynaklanır.
 - f) **Kesici uçları keskin ve temiz tutun.** İyi bakım görmüş kesici uçlar daha ender sıkışır ve daha iyi yönlendirilirler.
 - g) **Elektrikli el aletlerini, aksesuarı, uçları ve benzerlerini bu güvenlik talimatına uygun olarak kullanın. Aletinizi kullanırken çalışma koşullarını ve yaptığınız işi daima dikkate alın.** Elektrikli el aletlerini kendileri için öngörülen işlerin dışında kullanmak tehlikeli durumların ortaya çıkmasına neden olabilir.
- ### 5) SERVİS
- a) **Aletinizi sadece uzman bir elemana ve orijinal yedek parçaları kullanarak onartın.** Böylelikle aletin güvenliğini korumuş olursunuz.

ZIMPARALARA İÇİN GÜVENLİK TALİMATI

- İş parçasının vida, çivi ve benzeri malzeme tarafından hasar görmemesi için dikkatli olun; çalışmaya başlamadan önce bunları çıkartın
- Kabloyu her zaman aletin hareketli parçalarından uzak tutun; kabloyu arka tarafta araçtan uzakta bulundurun

- **Çalıştığınız parçayı sabitleyin** (kıskaçlarla ya da mengeneyle sabitlenmiş bir iş parçası elle tutulan işten daha güvenlidir)
- Aletinizi bırakıp gitmeden önce mutlaka kapatın ve döner parçaların tam olarak durmasını bekleyin
- Tamamen kusursuz ve güvenli 16 Amp uzatma kabloları kullanın
- Elektriksel veya mekaniksel hatalı çalışma durumunda aleti hemen kapatın ve fişi çekin
- SKIL sadece orijinal aksesuarlar kullandığında aletin düzgün çalışmasını garanti eder
- Bu alet 16 yaşının altındaki kişiler tarafından kullanılmamalıdır
- Cihaz çalışırken gürültü seviyesi 85 dB(A) desibele kadar çıkabilir; kulak koruyucu kullanınız
- **Zımpara şeridi kendi kablosuna temas edebileceği için elektrikli aleti izolasyonlu tutamaklarından tutun** (akım ileten elektrik kablosunun kesilmesi aletin metal parçalarının da elektrik akımına maruz kalmasına ve kullanan kişiyi elektrik çarpmasına neden olabilir)
- Eğer cihazı kullanırken kordon hasar görür yada kesilirse, kordona kesinlikle dokunmayınız ve derhal fişi çekiniz
- Kordon hasarlı iken cihazı kesinlikle kullanmayınız; uzman bir kişi tarafından değiştiriniz
- Güç geriliminin, aletin özelliği plakasında belirtilen voltaj değeriyle aynı olduğunu sık sık kontrol edin (230V veya 240V aletler 220V kaynağa bağlanabilir)
- Bu alet sulu zımparalama işlerine uygun değildir
- **Bu aletle asbest içeren malzemeleri işlemeyin** (asbest kanserojen bir madde kabul edilir)
- Kurşun içeren boya, bazı ahşap türleri, mineral ve metal gibi malzemelerden çıkan toz zararlı olabilir (tozla temasta bulunulması veya solunması operatörde veya yakında bulunan kişilerde alerjik reaksiyonlara ve/veya solunum yolu hastalıklarına neden olabilir); **toz maskesi takın ve toz ekstraksiyon cihazıyla çalışın (bağlanabiliyorsa)**
- Bazı toz tipleri (örneğin meşe ve kayın ağacı tozu), bilhassa ahşap yenileme katkı maddeleriyle birlikte, kansinojenik olarak sınıflandırılır; **toz maskesi takın ve toz ekstraksiyon cihazı ile çalışın (bağlanabiliyorsa)**
- Çalışmak istediğiniz malzemelerin, toz ile ilgili ulusal taleplerini takip ediniz
- Metalleri zımparalarken sırasında kıvılcımlar oluşur; toz torbası/elektrik süpürgesi kullanmayın ve diğer çalışanları ve yanıcı malzemeleri çalışma alanınızdan uzak tutunuz
- Hareket halindeki zımpara şeridine dokunmayın
- Aşınmış, yırtılmış veya gözenekleri aşırı ölçüde dolmuş zımpara şeritlerini kullanmayın
- Koruyucu iş eldivenleri giyin, koruyucu gözlük, dar giysiler ve saç koruyucu (saçlarınız uzunsa)
- **İsteddiğiniz ayar değişikliklerini ve aksesuar değişikliklerini yapmadan önce mutlaka şebeke fişini prizden çekin**

KULLANIM

- Açma / kapama şalteri
 - bu alet A ② şalterine basmak ve bu şalteri bırakmak suretiyle açıp kapanır
- ! **aletin zımparalama yüzeyi iş parçasına temas etmeden önce aletin çalıştırılması gerekir**
- ! **aleti kapatmadan önce iş parçası üzerinden kaldırın**

- Sürekli kullanım için anahtar kilitleme
 - A ② şalterine basın
 - B ② düğmesine basparmagınızla bastırın
 - şalterin boşaltılmasına
 - A ② şalterine tekrar basıp bırakmak suretiyle şalteri sabit konumdan kurtarın
- Zımpara şeritlerinin çabuk değiştirilmesi (CLIC sistemi) ④
 - ! **şebeke fisini çekin**
 - germe kolunu C gevşetin
 - zımpara şeritini çıkarın
 - şeritin iç kısmındaki oklar D ile alet üzerindeki okun yönü aynı olacak biçimde yeni zımpara şeritini yerine yerleştirin
 - germe kolunu geri bastırın
 - ! **zımpara şeritlerini zamanında değiştirin**
 - ! **zımpara şeritlerini asla katlamayın**
- Zımpara şeridinin otomatik olarak merkeze getirilmesi (ABC)
 - alet çalıştırıldığında şerit otomatik olarak merkeze getirilir
 - zımparalarken şeridin merkezde kalmasını sağlar
- Şeridin aletten çıkması durumunda (genellikle şerit kalitesinin yetersiz olması nedeniyle meydana gelir), şunları yapmanız gerekir
 - aleti çalıştırın
 - zımpara şeridi aletin şerit yönlendirme tarafına oturuncaya kadar vıdayı E ② çevirin
 - zımpara şeridi hâlâ aletten çıkıyorsa, yeni şerit kullanın
- Toz emme ⑤
 - toz torbasının G/F düzenli olarak temizlenmesi toz tutma kapasitesini optimal düzeyde tutar
 - aleti elektrikli süpürgesiyle kullanırken veya kullanılmazken vakum H adaptörünü örnekte gösterildiği gibi yerleştirin (1215)
 - gerektiğinde, filtre de gösterildiği gibi temizleyin
 - ! **metalleri zımparalarken toz torbası/elektrik süpürgesini kullanmayın**
- Aletin tutulması ve kullanılması ⑥
 - aleti, işlediğiniz yüzeye paralel olarak tutun
 - ! **çalışma esnasında, aleti daima gri renkli bölge(ler)den tutunuz**
 - ! **alet üzerinde fazla baskı uygulamayın; bırakın aletin zımparalama yüzeyi sizin için çalışsın**
 - aletin yüzeye olan paralellliğini bozmayın, aksi takdirde işlenen yüzeyde istenmeyen zımpara izleri oluşur
 - havalandırma yuvalarını J ② açık tutun

UYGULAMA

- Hiç işlem görmemiş tahta yüzeylerini işlemek üzere aleti tahtanın damarları boyunca hareket ettirin
- Diğer yüzeyleri işlemek için aleti iş parçasının üzerinde oval hareketlerle hareket ettirin
- Yüzeyleri çizik veya oluklar oluşmadan eşitlemek için K (SKIL aksesuarı 2610398244) zımpara çerçevesini monte edin, ve yerine sağlam oturduğundan emin olun ⑦
- ! **kullanım sırasında zımpara çerçevesi K aşırı ısınabilir; soğuyana kadar elle temas etmeyiniz**
- Ayın zımpara şeritini ile hiçbir zaman hem tahta, hem de metalleri zımparalamayın

- Önerilen zımpara şeridi kum kalınlıkları kaba- boyaların kazınması için;hiç işlenmemiş tahtanın zımparalanması için orta- kaba veya basit tahtanın zımparalanması için ince- tahtanın parlatılması için;işlenmemiş tahtanın işlenmesi için;eski boyalı yüzeylerin parlatılması için
- İşlediğiniz yüzey ham ise çeşitli kum büyüklüğündeki zımpara kağıtları kullanın:
 - başlangıçta iri veya orta kum büyüklüğündeki zımpara kağıtları ile çalışın
 - işin sonunda ince kum kalınlığındaki zımpara kağıtları kullanın
- Daha fazla ipucu için www.skil.com sitesini gezin

BAKIM / SERVİS

- Bu alet profesyonel kullanıma yönelik değildir
- Aleti ve kablosunu daima temiz tutun (özellikle havalandırma yuvalarını J ②)
 - yapışan zımpara tozunu bir fırça ile temizleyin
- ! **temizlemeden önce, cihazın fişini prizden çekin**
- Dikkatli biçimde yürütülen üretim ve test yöntemlerine rağmen aleti arıza yapacak olursa, onarım SKIL elektrikli aletleri için yetkili bir serviste yapılmalıdır
 - aleti ambalajıyla birlikte satın alma belgenizi de ekleyerek satıcınıza veya en yakın SKIL servisine ulaştırın (adresler ve aletin servis şemaları www.skil.com adresinde listelenmiştir)

ÇEVRE

- **Elektrikli aletlerini, aksesuarları ve ambalajları evdeki çöp kutusuna atmayınız** (sadece AB ülkeleri için)
 - kullanılmış elektrikli aletleri, elektrik ve elektronik eski cihazlar hakkındaki 2012/19/EC Avrupa yönergelerine göre ve bu yönergeler ulusal hukuk kurallarına göre uyarlanarak, ayrı olarak toplanmalı ve çevre şartlarına uygun bir şekilde tekrar değerlendirmeye gönderilmelidir
 - sembol ⑧ size bunu anımsatmalıdır

UYGUNLUK BEYANI C E

- Tek sorumlu olarak "Teknik veriler" bölümünde tanımlanan ürünün aşağıdaki norm veya normatif belgelere uygunluğunu beyan ederiz: EN 60745, EN 61000, EN 55014 yönetmelik hükümleri uyarınca 2004/108/EG, 2006/42/EG, 2011/65/EU
- **Teknik belgelerin bulunduğu merkez:** SKIL Europe BV (PT-SEU/ENG1), 4825 BD Breda, NL

Marijn van der Hoofden
Operations & Engineering

Olaf Dijkgraaf
Approval Manager




SKIL Europe BV, 4825 BD Breda, NL

09.12.2013

GÜRÜLTÜ/TİTREŞİM

- Ölçülen EN 60745 göre ses basıncı bu makinanın seviyesi 87 dB(A) ve çalışma sırasındaki gürültü 98 dB(A) (standart sapma: 3 dB), ve titreşim 2,1 m/s² (el-kol metodu; tolerans K = 1,5 m/s²)
- Titreşim emisyon seviyesi EN 60745'te sunulan standart teste göre ölçülmüştür; bu seviye, bir aleti bir başkasıyla karşılaştırmak amacıyla ve aletin söz konusu uygulamalarda kullanılması sırasında titreşime maruz kalma derecesinin ön değerlendirmesi olarak kullanılabilir
 - aletin farklı uygulamalar için veya farklı ya da bakımı yetersiz yapılmış aksesuarlarla kullanılması, maruz kalma seviyesini belirgin biçimde **arttırabilir**
 - aletin kapalı olduğu veya çalıştığı ancak gerçek anlamda iş yapmadığı zamanlarda, maruz kalma seviyesi belirgin biçimde **azalabilir**
- ! **aletin ve aksesuarlarının bakımını yaparak, ellerinizi sıcak tutarak ve iş modellerinizi düzenleyerek kendinizi titreşimin etkilerinden koruyun**

PL

Szlifierka taśmowa

1210/1215

WSTĘP

- Niniejsze elektronarzędzie przeznaczone jest do szlifowania na sucho, usuwając dużą ilość materiału z powierzchni: drewnianych, plastikowych, metalowych, kitu i powierzchni pomalowanych
- Narzędzie nie jest przeznaczone do zastosowań profesjonalnych
- Przeczytać i zachować niniejszą instrukcję obsługi ③

DANE TECHNICZNE ①

ELEMENTY NARZĘDZIA ②

- A Włącznik/wyłącznik
- B Przycisk blokady przełącznika zasilania
- C Dźwignia wymiany taśmy ścierniej
- D Strzałka
- E Wkręt regulacji centrowania taśmy
- F Worek na pył
- G Odpylnik
- H Adapter odsysacza trocin
- J Szczeliny wentylacyjne
- K Rama szlifierska

BEZPIECZEŃSTWO

OGÓLNE PRZEPISY BEZPIECZEŃSTWA

UWAGA! Należy przeczytać wszystkie wskazówki i przepisy. Błędy w przestrzeganiu poniższych wskazówek mogą spowodować porażenie prądem, pożar i/lub ciężkie obrażenia ciała. **Należy starannie przechowywać wszystkie przepisy i wskazówki bezpieczeństwa dla dalszego zastosowania.** Użyte w poniższym tekście pojęcie "elektronarzędzie" odnosi się do elektronarzędzi zasilanych energią elektryczną z sieci (z przewodem

zasilającym) i do elektronarzędzi zasilanych akumulatorami (bez przewodu zasilającego).

1) BEZPIECZEŃSTWO MIEJSCA PRACY

- a) **Miejsce pracy należy utrzymywać w czystości i dobrze oświetlone.** Nieporządek lub nie oświetlone miejsce pracy mogą doprowadzić do wypadków.
- b) **Nie należy pracować tym narzędziem w otoczeniu zagrożonym wybuchem, w którym znajdują się np. łatwopalne ciecze, gazy lub pyły.** Elektronarzędzia wytwarzają iskry, które mogą podpalić ten pył lub pary.
- c) **Elektonarzędzie trzymać podczas pracy z daleka od dzieci i innych osób.** Przy nieuwadze można stracić kontrolę nad narzędziem.

2) BEZPIECZEŃSTWO ELEKTRYCZNE

- a) **Wtyczka urządzenia musi pasować do gniazda. Nie wolno modyfikować wtyczki w jakikolwiek sposób. Nie należy używać wtyczek adapterowych razem z uziemnionymi narzędziami.** Niezmienione wtyczki i pasujące gniazda zmniejszają ryzyko porażenia prądem.
- b) **Należy unikać kontaktu z uziemnionymi powierzchniami jak rury, grzejniki, piece i lodówki.** Istnieje zwiększone ryzyko porażenia prądem, gdy Państwa ciało jest uziemnione.
- c) **Urządzenie należy przechowywać zabezpieczone przed deszczem i wilgocią.** Wniknięcie wody do elektronarzędzia podwyższa ryzyko porażenia prądem.
- d) **Nigdy nie należy używać kabla do innych czynności. Nigdy nie używać kabla do noszenia urządzenia za kabel, zawieszenia lub do wyciągania wtyczki z gniazda. Kabel należy trzymać z daleka od wysokich temperatur, oleju, ostrych krawędzi lub ruchomych części urządzenia.** Uszkodzone lub poplątane kable zwiększają ryzyko porażenia prądem.
- e) **W przypadku, kiedy elektronarzędziem pracuje się na świeżym powietrzu należy używać kabla przedłużającego, który dopuszczony jest do używania na zewnątrz.** Użycie dopuszczonego do używania na zewnątrz kabla przedłużającego zmniejsza ryzyko porażenia prądem.
- f) **Jeżeli nie da się uniknąć zastosowania elektronarzędzia w wilgotnym otoczeniu, należy użyć wyłącznika ochronnego różnicowo-prądowego.** Zastosowanie wyłącznika ochronnego różnicowo-prądowego zmniejsza ryzyko porażenia prądem.

3) BEZPIECZEŃSTWO OSÓB

- a) **Należy być uważnym, uważać na to co się robi i pracę elektronarzędziem rozpoczynać z rozsądkiem. Nie należy używać urządzenia gdy jest się zmęczonym lub pod wpływem narkotyków, alkoholu lub lekarstw.** Moment nieuwagi przy użyciu urządzenia może doprowadzić do poważnych urażeń ciała.
- b) **Należy nosić osobiste wyposażenie ochronne i zawsze okulary ochronne.** Noszenie osobistego wyposażenia ochronnego jak maska przeciwpyłowa, nie ślizgające się buty robocze, hełm ochronny lub ochrona słuchu, w zależności od rodzaju i zastosowania elektronarzędzia zmniejsza ryzyko obrażeń ciała.
- c) **Należy unikać niezamierzonego uruchomienia narzędzia. Przed włożeniem wtyczki do gniazdka i/ lub podłączeniem do akumulatora, a także przed podniesieniem lub przeniesieniem elektronarzędzia,**

należy upewnić się, że elektronarzędzie jest wyłączone. Trzymanie palca na wyłączniku podczas przenoszenia elektronarzędzia lub podłączenie do prądu włączanego narzędzia, może stać się przyczyną wypadków.

- d) **Zanim urządzenie zostanie włączone należy usunąć narzędzia nastawcze lub klucze.** Narzędzie lub klucz, które znajdują się w ruchomych częściach urządzenia mogą doprowadzić do obrażeń ciała.
 - e) **Nie należy przeceniać swoich możliwości. Należy dbać o bezpieczną pozycję pracy i zawsze utrzymywać równowagę.** Przez to możliwa jest lepsza kontrola urządzenia w nieprzewidzianych sytuacjach.
 - f) **Należy nosić odpowiednie ubranie. Nie należy nosić luźnego ubrania lub biżuterii. Włosy, ubranie i rękawice należy trzymać z daleka od ruchomych elementów.** Luźne ubranie, biżuteria lub długie włosy mogą zostać pociągnięte przez poruszające się części.
 - g) **W przypadku, kiedy możliwe jest zamontowanie urządzeń odsysających lub podchwytyjących należy upewnić się, czy są one właściwie podłączone i prawidłowo użyte.** Użycie urządzenia odsysającego pył może zmniejszyć zagrożenie pyłami.
- ### 4) UWAGNE OBCOWANIE ORAZ UŻYCIE ELEKTRONARZĘDZIA
- a) **Nie należy przeceniać urządzenia. Do pracy używać należy elektronarzędzia, które jest do tego przewidziane.** Odpowiednim narzędziem pracuje się lepiej i bezpieczniej w podanym zakresie sprawności.
 - b) **Nie należy używać elektronarzędzia, którego włącznik/wyłącznik jest uszkodzony.** Elektronarzędzie, którego nie można włączyć lub wyłączyć jest niebezpieczne i musi zostać naprawione.
 - c) **Przed regulacją urządzenia, wymianą osprzętu lub po zaprzestaniu pracy narzędziem, należy wyciągnąć wtyczkę z gniazda i/lub usunąć akumulator.** Ten środek ostrożności zapobiega niezamierzonemu włączeniu się urządzenia.
 - d) **Nie używane elektronarzędzia należy przechowywać poza zasięgiem dzieci. Nie należy udostępniać narzędzia osobom, które jego nie umieją lub nie przeczytały tych przepisów.** Używane przez niedoświadczonych osoby elektronarzędzia są niebezpieczne.
 - e) **Urządzenie należy starannie konserwować. Należy kontrolować, czy ruchome części urządzenia funkcjonują bez zarzutu i nie są zablokowane, czy części nie są pęknięte lub uszkodzone, co mogłoby mieć wpływ na prawidłowe funkcjonowanie urządzenia. Uszkodzone narzędzie należy przed użyciem urządzenia oddać do naprawy.** Wiele wypadków spowodowanych jest przez niewłaściwą konserwację elektronarzędzi.
 - f) **Osprzęt tnący należy utrzymywać ostry i czysty.** Starannie pielęgnowany osprzęt tnący z ostrymi krawędziami tnącymi blokuje się rzadziej i łatwiej się używa.
 - g) **Elektronarzędzia, osprzęt, narzędzia itd. należy używać odpowiednio do tych przepisów. Uwzględnić należy przy tym warunki pracy i czynność do wykonania.** Użycie elektronarzędzi do

innych niż przewidziane prace może doprowadzić do niebezpiecznych sytuacji.

5) SERWIS

- a) **Naprawę urządzenia należy zlecić jedynie wykwalifikowanemu fachowcowi i przy użyciu oryginalnych części zamiennych.** To gwarantuje, że bezpieczeństwo użytkownika zostanie zachowane.

PRZEPISY BEZPIECZEŃSTWA SZLIFIEREK

- Uwaga na gwoździe, śruby i inne twarde przedmioty; przed przystąpieniem do obróbki powinny być usunięte z obrabianego przedmiotu; usunąć je przed rozpoczęciem pracy
- Kabel zasilający powinien stale znajdować się w bezpiecznej odległości od wirującej części elektronarzędzia; kabel zasilający zawsze prowadzić z tyłu elektronarzędzia
- **Należy zabezpieczyć miejsce przeznaczone do zszycia** (miejsce przeznaczone do zszycia umieszczone w zaciskach lub imadle jest utrzymywane w miejscu bezpieczniej niż w rękę)
- Przed pozostawieniem elektronarzędzia należy odłączyć zasilanie elektryczne i odczekać do całkowitego zatrzymania się wrzeciona
- W przypadku korzystania z kabla przedłużającego należy zwrócić uwagę, aby był maksymalnie nawinięty na bęben oraz był przystosowany do przewodzenia prądu o natężeniu przynajmniej 16 A
- W przypadku wadliwego działania mechanicznych lub elektrycznych elementów urządzenia, należy bezzwocznie odłączyć narzędzie i wyjąć wtyczkę
- SKIL może zagwarantować bezawaryjne działanie narzędzia tylko przy korzystaniu z oryginalnego wyposażenia dodatkowego
- Narzędzie nie powinny używać dzieci poniżej 16 roku życia
- Poziom hałas podczas pracy może przekraczać 85 dB(A); używać nasłucharki do ochrony słuchu
- **Elektronarzędzie należy dotykać jedynie przy izolowanych powierzchniach uchwytu, ponieważ taśma może dotknąć własnego przewodu** (przecięcie przewodów pod napięciem może spowodować porażenie operatorem prądem)
- W przypadku uszkodzenia lub przecięcia przewodu podczas pracy, nie wolno go dotykać, tylko należy natychmiast wyciągnąć z gniazdka wtyczkę
- Pod żadnym pozorem nie wolno korzystać z narzędzia z uszkodzonym przewodem; zleć jego wymianę wykwalifikowanej osobie
- Każdorazowo należy sprawdzać, czy napięcie zasilania jest zgodne z napięciem podanym na tabliczce znamionowej urządzenia (narzędzia na napięcie znamionowe 230V lub 240V zasilac można także napięciem 220V)
- Elektronarzędzie nie jest przystosowane do szlifowania na mokro
- **Nie należy obrabiać materiału zawierającego azbest** (azbest jest rakotwórczy)
- Pył pochodzący z takich materiałów, jak farby zawierające ołów, niektóre gatunki drzewa, minerały i metal może być szkodliwy (kontakt z nim lub wdychanie takiego pyłu może powodować reakcje alergiczne i/lub

niewydolność oddechową u operatora lub osób towarzyszących); **należy zakładać maskę przeciwpyłową i pracować z urządzeniem odsysającym, jeżeli można je podłączyć**

- Niektóre rodzaje pyłu są zaklasyfikowane jako rakotwórcze (takie, jak pył dębu i buka) szczególnie w połączeniu z dodatkami do kondycjonowania drewna; **należy zakładać maskę przeciwpyłową i pracować z urządzeniem odsysającym pył, jeżeli można je podłączyć**
- Należy stosować się do lokalnych wymogów dotyczących pracy w otoczeniu pyłu powstającego podczas obróbki materiału
- Przy szlifowaniu metalu występuje iskrzenie; nie wolno wtedy korzystać z worków na pył/odpylnika/odkurzacza a z obszaru pracy należy usunąć wszelkie materiały palne i zabronić tam wstępu osobom trzecim
- Nie wolno dotykać poruszającej się taśmy ścierniej
- Nie należy korzystać ze zużytych podartych albo mocno zapchanych taśm ściernych
- Do pracy należy nosić rękawice ochronne, okulary ochronne, dopasowane ubranie, oraz nakrycie głowy (w przypadku długich włosów)
- **Przed przystąpieniem do wykonywania jakichkolwiek czynności przy narzędziu, w czasie przerw w pracy jak również po jej zakończeniu wyjąć wtyczkę z gniazda sieciowego**

UŻYTKOWANIE

- Włącznik/wyłącznik
 - elektronarzędzie włączane/wyłączane jest poprzez wciśnięcie/zwolnienie włącznika/wyłącznika A ②
- ! **przed przystawieniem taśmy ścierniej do powierzchni obrabianego przedmiotu należy uprzednio uruchomić elektronarzędzie**
- ! **przed wyłączeniem narzędzia należy unieść je ponad obrabiany przedmiot**
- Blokada włącznika dla pracy ciągłej
 - wcisnąć włącznik/wyłącznik A ②
 - kciukiem wcisnąć przycisk B ②
 - zwolnić włącznik/wyłącznik
- zwalnianie blokady następuje poprzez ponowne wciśnięcie i zwolnienie włącznika/wyłącznika A ②
- Szybka wymiana taśm ściernych (system CLIC) ④
 - ! **wyjąć wtyk z gniazda sieciowego**
 - odchylić dźwignię mocującą C
 - wyjąć taśmę szlifierską
 - założyć nową taśmę zwracając uwagę aby strzałka na wewnętrznej stronie taśmy wskazywała ten sam kierunek co i strzałka D na elektronarzędziu
 - odchylić dźwignię w jej pierwotne położenie
- ! **należy terminowo wymieniać taśmy ściernie**
- ! **nie należy nigdy łażymywać taśm ściernych**
- Automatyczne centrowanie taśmy ścierniej (ABC)
 - automatycznie centruje taśmę z chwilą włączenia elektronarzędzia
 - utrzymuje taśmę w tej pozycji podczas szlifowania
- W przypadku zsunięcia się taśmy z elektronarzędzia (jest to na ogół spowodowane złą jakością taśmy), należy zwrócić uwagę
 - pokręcać pokrętkę E ② do momentu wyregulowania biegu taśmy tak aby nie wybiegała ona poza rolki elektronarzędzia

- jeśli taśma nadal się zsuwał należy ją wymienić na nową
- Odsysanie pyłu ⑤
 - w celu zapewnienia optymalnego odpylania należy regularnie opróżniać odpylnika G/worka na pył F
 - w przypadku używania elektronarzędzia z odkurzaczem, należy zamontować adapter H według rysunku (1215)
 - gdy to konieczne, wyczyść także filtra jak pokazano
 - ! **nie używać odpylnika/worka na pył/odkurzacza przy szlifowaniu metalu**
- Utrzymywanie i prowadzenie narzędzia ⑥
 - elektronarzędzie prowadzić równoległe do powierzchni obrabianego przedmiotu
 - ! **podczas pracy zawsze trzymać narzędzie za uchwyt(y) ograniczone szarym kolorem**
 - ! **nie wywierać zbyt dużego nacisku na elektronarzędzie; pozwólmy maszynie pracować za nas**
 - nie należy przechylać elektronarzędziat dzięki czernu unikniemy wyszlifowywania niepożądanych zagłębień
 - szczeliny wentylacyjne J ② powinny być odkryte

WSKAZÓWKI UŻYTKOWANIA

- W celu oszlifowania surowej powierzchni drewnianej elektronarzędzie prowadzić prostopolnie wzdłuż stojów
- Przy obróbce innego rodzaju powierzchni elektronarzędzie prowadzić ruchami owalnymi
- Zamontuj ramę szlifierskiej K (osprzęt SKIL 2610398244) do wyrównywania powierzchni bez zadrapań lub wyziobień, i sprawdź, czy jest osadzona pewnie na miejscu ⑦
 - ! **rama szlifierska K nagrzewa się podczas pracy narzędzia; nie należy jej dotykać przed ostygnięciem**
- Nie należy nigdy korzystać z tej samej taśmy do szlifowania drewna i metalu
- Zalecane granulacje papierów

gruba-	do usuwania farb; do szlifowania skrajnie nieobrobionych powierzchni surowych
średnia-	do oszlifowywania powierzchni surowych
drobna -	do szlifowania powierzchni drewnianych; do oszlifowywania drewna nieobrobianego; do wygładzania powierzchni pokrytych starą powłoką malarską
- W przypadku obróbki powierzchni surowej należy stosować różne granulacje papierów:
 - należy rozpoczynać od granulacji grubej lub średniej
 - zakończyć obróbkę stosując papiery o granulacji drobnej
- Więcej wskazówek można znaleźć pod adresem www.skil.com

KONSERWACJA / SERWIS

- Narzędzie nie jest przeznaczone do zastosowań profesjonalnych
- Zawsze dbać o czystość narzędzia i przewodu zasilającego (a szczególnie otworów wentylacyjnych J ②)
 - usunąć nagromadzony pył posugując się szczotką
 - ! **przed przystąpieniem do czyszczenia należy wyjąć wtyk z gniazda sieciowego**

- Jeśli narzędzie, mimo dokładnej i wszechstronnej kontroli produkcyjnej ulegnie kiedykolwiek awarii, naprawę powinien przeprowadzić autoryzowany serwis elektronarzędzi firmy SKIL
 - odesłać **nierozebrany** narzędzie, wraz z dowodem zakupu, do dealera lub do najbliższego punktu usługowego SKIL (adresy oraz diagram serwisowy narzędzenia znajdują się na stronach www.skil.com)

ŚRODOWISKO

- **Nie wyrzucaj elektronarzędzi, akcesoriów i opakowania wraz z odpadami z gospodarstwa domowego** (dotyczy tylko państw UE)
 - zgodnie z Europejską Dyrektywą 2012/19/WE w sprawie zużytego sprzętu elektrotechnicznego i elektronicznego oraz dostosowaniem jej do prawa krajowego, zużyte elektronarzędzia należy posegregować i zutylizować w sposób przyjazny dla środowiska
 - w przypadku potrzeby pozbycia się narzędzia, akcesoriów i opakowania - symbol ⑧ przypomni Ci o tym

DEKLARACJA ZGODNOŚCI CE

- Oświadczamy z pełną odpowiedzialnością, że produkt, przedstawiony w "Dane techniczne", odpowiada wymaganiom następujących norm i dokumentów normatywnych: EN 60745, EN 61000, EN 55014, zgodnie z wymaganiami dyrektywy 2004/108/EU, 2006/42/EU, 2011/65/EU
- **Dokumentacja techniczna:** SKIL Europe BV (PT-SEU/ENG1), 4825 BD Breda, NL

Marijn van der Hoofden
Operations & Engineering

Olaf Dijkgraaf
Approval Manager

SKIL Europe BV, 4825 BD Breda, NL

09.12.2013

HAŁASU/WIBRACJE

- Pomiarów dokonano zgodnie z normą EN 60745 ciśnienie akustyczne narzędzia wynosi 87 dB(A) zaś poziom mocy akustycznej 98 dB(A) (poziom odchylenie: 3 dB), zaś vibrację 2,1 m/s² (metoda dłoń-ręka; błąd pomiaru K = 1,5 m/s²)
- Poziom emisji vibracji został zmierzony zgodnie z testem standaryzowanym podanym w EN 60745; może służyć do porównania jednego narzędzia z innym i jako ocena wstępna narażenia na vibrację w trakcie używania narzędzia do wymienionych zadań
 - używanie narzędzia do innych zadań, lub z innymi albo źle utrzymanymi akcesoriami, może znacząco **zwiększyć** poziom narażenia
 - przypadki, kiedy narzędzie jest wyłączone lub jest czynne, ale aktualnie nie wykonuje zadania, mogą znacząco **zmniejszyć** poziom narażenia
- ! **należy chronić się przed skutkami vibracji przez konserwację narzędzia i jego akcesoriów, zakładanie rękawic i właściwą organizację pracy**

Ленточная шлифовальная машина 1210/1215

ВВЕДЕНИЕ

- Этот инструмент предназначен для сухой шлифовки с высокой степенью выполнения, обработки древесины, пластмасс, металлов, наполнителей и окрашенных поверхностей
- Данный инструмент не подходит для промышленного использования
- Прочитайте и сохраните с данной инструкцией ③

ТЕХНИЧЕСКИЕ ДАННЫЕ ①

ДЕТАЛИ ИНСТРУМЕНТА ②

- A Выключатель вкл/выкл
- B Фиксатор выключателя
- C Рычаг для замены шлифовальной ленты
- D Стрелка
- E Винт для центрирования ленты
- F Пылесборный мешок
- G Пылеприёмник
- H Адаптер пылесоса
- J Вентиляционные отверстия
- K Шлифовальная рама

БЕЗОПАСНОСТЬ

ОСНОВНЫЕ ИНСТРУКЦИИ ПО ТЕХНИКЕ БЕЗОПАСНОСТИ

⚠ ВНИМАНИЕ! Прочтите все указания и инструкции по технике безопасности. Упущения, допущенные при соблюдении указаний и инструкций по технике безопасности, могут стать причиной электрического поражения, пожара и тяжелых травм.

Сохраняйте эти инструкции и указания для будущего использования. Использованное в настоящих инструкциях и указаниях понятие “электроинструмент” распространяется на электроинструмент с питанием от сети (с кабелем питания от электросети) и на аккумуляторный электроинструмент (без кабеля питания от электросети).

1) БЕЗОПАСНОСТЬ РАБОЧЕГО МЕСТА

- a) **Соблюдайте чистоту и поддерживайте надлежащую освещенность на рабочем месте.** Беспорядок на рабочем месте или его плохое освещение могут привести к несчастным случаям.
- b) **Не используйте с электроинструментом во взрывоопасной среде, т.е. в непосредственной близости от легковоспламеняющихся жидкостей, газов или пыли.** В процессе работы электроинструмент искрит и искры могут воспламенить газы или пыль.
- c) **При работе с электроинструментом не допускайте детей или посторонних на Ваше**

рабочее место. Отвлечение Вашего внимания может привести к потере контроля над работой инструмента.

2) ЭЛЕКТРИЧЕСКАЯ БЕЗОПАСНОСТЬ

- a) **Штепсельная вилка кабеля питания электроинструмента должна соответствовать розетке электросети. Не вносите никаких изменений в конструкцию вилки. Не используйте адапторы для электроинструмента с защитным заземлением.** Заводские штепсельные вилки и соответствующие им сетевые розетки существенно снижают вероятность электрошока.
- b) **Избегайте механических контактов с такими заземленными поверхностями, как трубопроводы, системы отопления, плиты и холодильники.** При соприкосновении человека с заземленными предметами во время работы инструментом вероятность электрошока существенно возрастает.
- c) **Оберегайте электроинструмент от воздействия дождя и влаги.** Попадание воды в электроинструмент повышает вероятность электрического удара.
- d) **Используйте кабель строго по назначению. Не допускайтесь тянуть и передвигать электроинструмент за кабель или использовать кабель для вытягивания вилки из розетки. Оберегайте кабель инструмента от воздействия высоких температур, масла, острых кромок или движущихся частей электроинструмента.** Поврежденный или спутанный кабель повышает возможность электрического удара.
- e) **При работе на улице используйте удлинитель, предназначенный для работы вне помещения.** Использование такого удлинителя снижает вероятность электрического удара.
- f) **Если невозможно избежать применения электроинструмента в сыром помещении, то устанавливайте устройство защиты от утечки в землю.** Использование устройства защиты от утечки в землю снижает риск электрического поражения.

3) ЛИЧНАЯ БЕЗОПАСНОСТЬ

- a) **Будьте внимательны, следите за тем, что Вы делаете и выполняйте работу обдуманно. Не пользуйтесь электроинструментом, если Вы устали или находитесь под воздействием транквилизаторов, алкоголя или медицинских препаратов.** Секундная потеря концентрации в работе с электроинструментом может привести к серьезным травмам.
- b) **Используйте средства индивидуальной защиты. Защитные очки обязательны.** Средства индивидуальной защиты, такие как противопылевой респиратор, нескользящая защитная обувь, шлем-каска, средства защиты органов слуха применяются в соответствующих условиях работы обстоятельствах и минимизируют возможность получения травм.
- c) **Предотвращайте непреднамеренное включение электроинструмента. Перед подключением электроинструмента к электропитанию и/или к**

- аккумулятору убедитесь в выключенном состоянии электроинструмента. Если Вы при транспортировке электроинструмента держите палец на выключателе или включенный электроинструмент подключаете к сети питания, то это может привести к несчастному случаю.
- d) **Во избежание травм перед включением инструмента удалите регулировочный или гаечный ключ из вращающейся части инструмента.**
- e) **Не переоценивайте свои возможности. Твердо стойте на ногах и удерживайте равновесие.** В таком положении вы сможете лучше контролировать инструмент в неожиданных ситуациях.
- f) **Используйте подходящую рабочую одежду. Надевайте свободную одежду и украшения. Волосы, одежда и перчатки должны находиться подальше от движущихся частей электроинструмента.** Свободная одежда, украшения или длинные волосы легко могут попасть в движущиеся части электроинструмента.
- g) **При наличии пылеотсасывающих и пылесборных приспособлений убедитесь в том, что они подсоединены и используются надлежащим образом.** Применение пылеотсоса может снизить опасности, создаваемые пылью.
- 4) ЭКСПЛУАТАЦИЯ И УХОД ЗА ЭЛЕКТРОИНСТРУМЕНТОМ**
- a) **Не перегружайте инструмент. Используйте тот инструмент, который предназначен для данной работы.** С подходящим инструментом Вы выполните работу лучше и надежней, используя весь диапазон его возможностей.
- b) **Не используйте инструмент с неисправным выключателем.** Инструмент с неисправным выключателем опасен и подлежит ремонту.
- c) **До начала наладки электроинструмента, замены принадлежностей или прекращения работы отключайте штепсельную вилку от розетки сети и/или выньте аккумулятор.** Данная мера предосторожности предотвращает случайное включение инструмента.
- d) **Храните неиспользуемый электроинструмент в недоступном для детей месте и не позволяйте использовать его лицам, не умеющим с ним обращаться или не ознакомленным с инструкцией по эксплуатации.** Электроинструменты представляют собой опасность в руках неопытных пользователей.
- e) **Электроинструмент требует надлежащего ухода. Проверяйте безупречность функции подвижных частей, лёгкость их хода, целостность всех частей и отсутствие повреждений, которые могут негативно сказаться на работе инструмента. При обнаружении повреждений сдайте инструмент в ремонт.** Большое число несчастных случаев связано с неудовлетворительным уходом за электроинструментом.
- f) **Режущие части инструмента необходимо поддерживать в заточенном и чистом состоянии.** При надлежащем уходе за режущими

принадлeжностями с острыми кромками они режут заклиниваются и инструмент лучше поддается контролю.

- g) **Используйте электроинструмент, принадлежности, биты и т.д. в соответствии с данными инструкциями, исходя из особенностей условий и характера выполняемой работы.**

Использование электроинструмента не по назначению может привести к опасным последствиям.

5) СЕРВИСНОЕ ОБСЛУЖИВАНИЕ

- a) **Передавайте инструмент на сервисное обслуживание только квалифицированному персоналу, использующему только подлинные запасные части.** Это обеспечит сохранение безопасности электроинструмента.

УКАЗАНИЯ ПО БЕЗОПАСНОСТИ ДЛЯ ШЛИФОВАЛЬНЫХ МАШИН

- Избегайте повреждений, которые могут быть вызваны винтами, гвоздями и прочими элементами, находящимися в обрабатываемом предмете; перед началом работы их нужно удалить
- Следите за тем, чтобы сетевой шнур не находился рядом с движущимися деталями инструмента; нужно всегда направлять электрический шнур к задней части инструмента, исключая его захват инструментом
- **Закрепите обрабатываемую деталь** (обрабатываемая деталь, зафиксированная посредством зажимных устройств или тисков, закрепляется лучше, нежели при помощи рук)
- Перед тем как положить инструмент, выключите двигатель и убедитесь в том, что все движущиеся детали полностью остановились
- Используйте полностью размотанные и безопасные удлинители, рассчитанные на ток не менее 16 А
- В случае любой электрической или механической неисправности немедленно выключите инструмент и выньте вилку из розетки
- SKIL обеспечивает надёжную работу инструмента только при использовании соответствующих приспособлений
- Инструмент нельзя использовать лицам в возрасте до 16 лет
- Поскольку уровень шума при работе данного инструмента может превышать 80 dB(A); всегда используйте защиту для ушей
- **Держите электроинструмент за изолированные поверхности рукояткой, т.к. лента может соприкоснуться со шнуром** (перерезание провода под напряжением может вызвать подачу напряжения на открытые металлические части электроинструмента и привести к поражению оператора электрическим током)
- При повреждении или разрезании сетевого шнура во время работы не прикасайтесь к нему, и немедленно выньте вилку из розетки
- Никогда не используйте инструмент, если сетевой шнур повреждён; необходимо, чтобы квалифицированный специалист заменил сетевой шнур

- Обязательно убедитесь, что напряжение питания соответствует напряжению, указанному на фирменном штепселе инструмента (инструменты, рассчитанные на напряжение 230 В или 240 В, можно подключать к питанию 220 В)
- Данный инструмент не подходит для шлифования влажных поверхностей
- **Не обрабатывайте материалы с содержанием асбеста** (асбест считается канцерогеном)
- Пыль от таких материалов, как свинцовосодержащая краска, некоторые породы дерева, минералы и металл, может быть вредна (контакт с такой пылью или ее вдыхание может стать причиной возникновения у оператора или находящихся рядом лиц аллергических реакций и/или респираторных заболеваний); **надевайте респиратор и работайте с пылеудаляющим устройством при включении инструмента**
- Некоторые виды пыли классифицируются как канцерогенные (например, дубовая или буковая пыль), особенно в сочетании с добавками для кондиционирования древесины; **надевайте респиратор и работайте с пылеудаляющим устройством при включении инструмента**
- Следуйте принятым в вашей стране требованиям/нормативам относительно пыли для тех материалов, с которыми вы собираетесь работать
- При обработке металлической поверхности наблюдается искрение; не следует использовать пылесборный мешок/пылеприёмник/пылесос, а также нельзя допускать в рабочую зону посторонних людей и воспламеняемые материалы
- Не следует прикасаться к движущейся шлифовальной ленте
- Не следует использовать изношенную, порванную или сильно загрязнённую шлифовальную ленту
- Необходимо носить защитные перчатки, защитные очки, плотно прилегающую одежду и защиту для волос (для длинных волос)
- **Перед регулировкой или сменой принадлежностей обязательно выньте вилку из сетевой розетки**

ИСПОЛЬЗОВАНИЕ

- Переключатель “Включено/Выключено”
 - включение/отключение инструмента производится нажатием/отпусанием курка выключателя А ②
- **! инструмент следует включить до того момента, когда шлифовальная поверхность достигнет обрабатываемого изделия**
- **! перед тем как выключить инструмент, его следует поднять над обрабатываемым изделием**
- Блокировка выключателя для продолжительного использования
 - нажмите на курок выключателя А ②
 - нажмите на кнопку В ② большим пальцем
 - отпустите курок выключателя
 - снимите блокировку, нажав снова на курок выключателя А ② и отпустив его

- Быстрая замена шлифовальных лент (CLIC система) ④
 - ! **разъединить штепсельный разъём**
 - поднять рычаг С
 - снять шлифовальную ленту
 - установить новую ленту, причем стрелки, нанесенные на внутреннюю поверхность ленты, должны указывать то же направление, что и стрелка D на инструменте
 - спустить рычаг
 - ! **необходимо своевременно заменять шлифовальные ленты**
 - ! **никогда не следует гнуть шлифовальные ленты**
- Автоматическая центровка шлифовальных лент (ABC)
 - автоматически устанавливает шлифовальные ленты по центру при включении инструмента
 - удерживает шлифовальные ленты по центру во время процесса шлифования
- В случае сбегания шлифовальной ленты с инструмента (обычно происходит при использовании шлифовальных лент низкого качества) нужно сделать следующее:
 - включите инструмент
 - с помощью винта E ② обеспечить параллельность шлифовальных лент к плоской стороне инструмента
 - если шлифовальная лента по-прежнему сбегает с инструмента, нужно заменить её новой лентой
- Отсасывание пыли ⑤
 - опустошайте пылеприёмник G/пылесборный мешок F регулярно для обеспечения оптимального отсоса пыли
 - когда используете инструмент вместе с пылесосом, установите адаптер H для подсоединения пылесоса как показано на рисунке (1215)
 - при необходимости также очистите фильтра, как показано
 - ! **не используйте пылеприёмник/пылесборный мешок/пылесос при шлифовке металла**
- Удерживание и направление инструмента ⑥
 - вести инструмент параллельно рабочей поверхности
 - ! **во время работы, всегда держите инструмент за места правильного хвата, которые обозначены серым цветом**
 - ! **не прикладывайте излишнего давления на инструмент; позволить шлифовальной поверхности работать за вас**
 - не наклоняйте инструмент во избежание появления нежелательных глубоких царапин
 - содержите вентиляционные отверстия J ② не закрытыми

СОВЕТЫ ПО ИСПОЛЬЗОВАНИЮ

- При шлифовании открытых поверхностей древесины следует выполнять инструментом прямые движения по направлению волокна
- При шлифовании всех других поверхностей следует выполнять инструментом овальные движения по материалу

- Установите шлифовальную раму К (позиция SKIL 2610398244) для шлифования поверхностей без царапин или дефектов, и убедитесь, что она надежно закрыта ⑦
- ! шлифовальная рама К нагревается во время работы; не дотрагивайтесь до неё, пока она не остынет**
- Никогда не следует использовать одну и ту же шлифовальную ленту для обработки металлической и деревянной поверхностей
- Рекомендуемая зернистость шлифовального лент
 - грубый- для удаления краски; для шлифования совершенно необработанной древесины
 - средний- для шлифования необработанной или обработанной древесины
 - тонкий- для сглаживания древесины; для отделки необработанной древесины; для выравнивания поверхностей со старой краской
- При обработке неровных поверхностей следует пользоваться шлифовальным листом разной зернистости:
 - начинать шлифование грубым или средним листом
 - отделять тонким листом
- См дополнительную информацию на сайте www.skil.com

ТЕХОБСЛУЖИВАНИЕ / СЕРВИС

- Данный инструмент не подходит для промышленного использования
- Всегда содержите инструмент и его шнур в чистоте (особенно вентиляционные отверстия J ②)
 - счистить прилипший материал обработки с инструмента с помощью щётки
- ! перед чисткой инструмента выньте вилку из розетки**
- Если инструмент, несмотря на тщательные методы изготовления и испытания, выйдет из строя, то ремонт следует производить силами авторизованной сервисной мастерской для электроинструментов фирмы SKIL
 - отправьте **неразобранный** инструмент со свидетельством покупки Вашему дилеру или в ближайшую станцию обслуживания фирмы SKIL (адреса и схема обслуживания инструмента приведены в вебсайте www.skil.com)

ОХРАНА ОКРУЖАЮЩЕЙ СРЕДЫ

- Не выкидывайте электроинструмент, принадлежности и упаковку вместе с бытовым мусором** (только для стран ЕС)
 - во исполнение европейской директивы 2012/19/ЕС об утилизации отслужившего свой срок электрического и электронного оборудования и в соответствии с действующим законодательством, утилизация электроинструментов производится отдельно от других отходов на предприятиях, соответствующих условиям экологической безопасности
 - значок ⑧ напомним Вам об этом, когда появится необходимость сдать электроинструмент на утилизацию

ДЕКЛАРАЦИЯ О СООТВЕТСТВИИ СТАНДАРТАМ СЕ

- С полной ответственностью мы заявляем, что описанный в разделе "Технические данные" продукт соответствует нижеследующим стандартам или нормативным документам: EN 60745, EN 61000, EN 55014 согласно положениям директивы 2004/108/EC, 2006/42/EC, 2011/65/EC
- Техническая документация у:** SKIL Europe BV (PT-SEU/ENG1), 4825 BD Breda, NL

Marijn van der Hoofden Olaf Dijkgraaf
Operations & Engineering Approval Manager




SKIL Europe BV, 4825 BD Breda, NL

09.12.2013

- Информация о сертификате соответствия расположена на последней странице настоящей Инструкции
- Сертификаты соответствия хранятся по адресу: ООО "Роберт Бош" ул. Акад. Королёва, 13, стр. 5 Россия, 129515, Москва
- С января 2014 г.** Вашутинское шоссе, влад. 36 Россия, 141446 г.о. Химки
- Дата производства** указана на последней странице настоящей инструкции
- Информацию об **импортере** изделия можно найти на упаковке

ШУМНОСТИ/ВИБРАЦИИ

- При измерении в соответствии со стандартом EN 60745 уровень звукового давления для этого инструмента составляет 87 дБ (А) и уровень звуковой мощности - 98 дБ (А) (стандартное отклонение: 3 дБ), и вибрации - 2,1 м/с² (по методу для рук; недостоверность K = 1,5 м/с²)
- Уровень вибрации был измерен в соответствии со стандартизированным испытанием, содержащимся в EN 60745; данная характеристика может использоваться для сравнения одного инструмента с другим, а также для предварительной оценки воздействия вибрации при использовании данного инструмента для указанных целей
 - при использовании инструмента в других целях или с другими/неисправными вспомогательными приспособлениями уровень воздействия вибрации может значительно **повышаться**
 - в периоды, когда инструмент отключен или функционирует без фактического выполнения работы, уровень воздействия вибрации может значительно **снижаться**
- ! защищайте себя от воздействия вибрации, поддерживая инструмент и его вспомогательные приспособления в исправном состоянии, поддерживая руки в тепле, а также правильно ограничивая свой рабочий процесс**

Стрічковий шліфувальний верстат 1210/1215

ВСТУП

- Цей інструмент призначений для сухого шліфування дерева, забарвлених поверхонь, пластиків і фарбованих поверхонь
- Цей інструмент не придатний для промислового використання
- Прочитайте і збережіть цю Інструкцію з експлуатації

③

ТЕХНІЧНІ ДАНІ ①

ЕЛЕМЕНТИ ІНСТРУМЕНТА ②

- A Вимикач живлення
- B Ручка блокування вимикача
- C Важіль для заміни шліфувальної стрічки
- D Стрілка
- E Гвинт для регулювання центрування стрічки
- F Мішок
- G Пиловловлювач
- H Адаптер пирососу
- J Вентиляційні отвори
- K Шліфувальна рамка

БЕЗПЕКА

ЗАГАЛЬНІ ВКАЗІВКИ З ТЕХНІКИ БЕЗПЕКИ

⚠ УВАГА! Прочитайте всі попередження і вказівки. Недодержання попереджень і вказівок може призводити до удару електричним струмом, пожежі та/або серйозних травм. **Добре зберігайте на майбутнє ці попередження і вказівки.** Під поняттям “електроприлад” в цих попередженнях мається на увазі електроприлад, що працює від мережі (з електрокабелем) або від акумуляторної батареї (без електрокабелю).

1) БЕЗПЕКА НА РОБОЧОМУ МІСЦІ

- a) **Примайте своє робоче місце в чистоті та прибирайте його.** Безлад або погане освітлення на робочому місці можуть призводити до нещасних випадків.
- b) **Не працюйте з приладом у середовищі, де існує небезпена вибуху внаслідок присутності горючих рідин, газів або пилу.** Електроприлади можуть породжувати іскри, від яких може займатися пил або пари.
- c) **Під час працювання з приладом не підпускайте до робочого місця дітей та інших людей.** Ви можете втратити контроль над приладом, якщо Ваша увага буде відвернута.

2) ЕЛЕКТРИЧНА БЕЗПЕКА

- a) **Штепсель приладу повинен пасувати до розетки. Не дозволяється що-небудь міняти в штепселі.** Для роботи з приладами, що мають захисне

заземлення, не використовуйте адаптери.

- Використання оригінального штепселя та належної розетки зменшує ризик удару електричним струмом.
- b) **Уникайте контакту частей тіла із заземленими поверхнями, як напр., трубами, батареями опалення, печами та холодильниками.** Коли Ваше тіло заземлене, існує збільшена небезпена удару електричним струмом.
 - c) **Захищайте прилад від дощу та вологи.** Попадання води в електроінструмент збільшує ризик удару електричним струмом.
 - d) **Не використовуйте кабель для перенесення приладу, підвішування або витягування штепселя з розетки. Захищайте кабель від жару, олії, гострих країв та деталей приладу, що рухаються.** Пошкоджений або закручений кабель збільшує ризик удару електричним струмом.
 - e) **Для зовнішніх робіт обов'язково використовуйте лише такий подовжувач, що допущений для зовнішніх робіт.** Використання подовжувача, що розрахований на зовнішні роботи, зменшує ризик удару електричним струмом.
 - f) **Якщо не можна запобігти використанню електроприладу у вологому середовищі, використовуйте пристрій захисту від витоку в землю.** Використання зрестрою захисту від витоку в землю зменшує ризик удару електричним струмом.

3) БЕЗПЕКА ЛЮДЕЙ

- a) **Будьте уважними, слідуйте за тим, що Ви робите, та розсудливо поведіться під час роботи з електроприладом. Не користуйтеся приладом, якщо Ви стомлені або знаходитесь під дією наркотиків, спиртних напоїв або лік.** Мить неуважності при користуванні приладом може призводити до серйозних травм.
- b) **Вдягайте особисте захисне спорядження та обов'язково вдягайте захисні окуляри.** Вдягання особистого захисного спорядження, як напр., - в залежності від виду робіт - захисної маски, спецвзуття, що не ковзається, каски або навушників, зменшує ризик травм.
- c) **Уникайте ненавмисного вмикання. Перш ніж вмикати електроприлад в електромережу або встромляти акумуляторну батарею, брати його в руки або переносити, впевніться в тому, що електроприлад вимкнений.** Тримання пальця на вимикачі під час перенесення електроприладу або встромляння в розетку увімкненого приладу може призводити до травм.
- d) **Перед тим, як вмикати прилад, приберіть налагоджувальні інструменти та гайковий ключ.** Знаходження налагоджувального інструмента або ключа в деталі, що обертається, може призводити до травм.
- e) **Не переоцінюйте себе. Зберігайте стійке положення та завжди зберігайте рівновагу.** Це дозволить Вам краще зберігати контроль над приладом у несподіваних ситуаціях.
- f) **Вдягайте придатний одяг. Не вдягайте просторий одяг та прикриси. Не підставляйте волосся, одяг та рукавиці близько до деталей приладу, що рухаються.** Просторий одяг,

прикраси та довге волосся можуть попадати в деталі, що рухаються.

- g) **Якщо існує можливість монтувати пиловідсмоктувальні або пилоувловлювальні пристрої, переконайтеся, щоб вони були добре під'єднані та правильно використовувалися.** Використання пиловідсмоктувального пристрою може зменшити небезпеки, зумовлені пилом.
- 4) ПРАВИЛЬНЕ ПОВОДЖЕННЯ ТА КОРИСТУВАННЯ ЕЛЕКТРОПРИЛАДАМИ**
- a) **Не перевантажуйте прилад. Використовуйте такий прилад, що спеціально призначений для певної роботи.** З придатним приладом Ви з меншим ризиком отримаєте кращі результати роботи, якщо будете працювати в зазначеному діапазоні потужності.
- b) **Не користуйтеся приладом з пошкодженим вимикачем.** Прилад, який не можна увімкнути або вимкнути, є небезпечним і його треба відремонтувати.
- c) **Перед тим, як регулювати що-небудь на приладі, міняти приладдя або ховати прилад, витягніть штепсель із розетки та/або витягніть акумуляторну батарею.** Ці попереджувальні заходи з техніки безпеки зменшують ризик ненавмисного запуску приладу.
- d) **Зберігайте електроприлади, якими Ви саме не користуєтесь, далеко від дітей. Не дозволяйте користуватися електроприладом особам, що не знайомі з його роботою або не читали ці вказівки.** У разі застосування недосвідченими особами прилади несуть в собі небезпеку.
- e) **Старанно доглядайте за приладом. Перевірте, щоб рухомі деталі приладу бездоганно працювали та не заїдали, не були поламаними або настільки пошкодженими, щоб це могло вплинути на функціонування приладу. Пошкоджені деталі треба відремонтувати в авторизованій майстерні, перш ніж ними можна знову користуватися.** Велика кількість нещасних випадків спричиняється поганим доглядом за електроприладами.
- f) **Тримайте різальні інструменти добре нагостреними та в чистоті.** Старанно доглянути різальні інструменти з гострим різальним краєм менше застряють та їх легше вести.
- g) **Використовуйте електроприлади, приладдя до них, робочі інструменти т.і. відповідно до цих вказівок. Беріть до уваги при цьому умови роботи та специфіку виконуваної роботи.** Використання електроприладів для робіт, для яких вони не передбачені, може призводити до небезпечних ситуацій.
- 5) СЕРВІС**
- a) **Віддавайте свій прилад на ремонт лише кваліфікованим фахівцям та лише з використанням оригінальних запчастин.** Це забезпечить безпечність приладу на довгий час.

ПРАВИЛА ТЕХНІКИ БЕЗПЕКИ ДЛЯ ШЛІФУВАЛЬНОЇ МАШИНИ

- Не допускайте пошкоджень, які можуть нанести шурупи, цвяхи і інші елементи вашому виробу; видаліть їх перед початком роботи
- Не дозволяйте шнуру живлення стикатися з рухомими частинами інструменту; завжди викладайте шнур за задньою частиною інструменту
- **Зафіксуйте оброблювану деталь** (оброблювана деталь, зафіксована за допомогою затискних пристроїв або лещат, закріплюється краще, ніж вручну)
- Коли ви закінчили роботу з інструментом, вимкніть мотор і переконайтеся, що всі рухомі частини повністю зупинилися
- Використовуйте повністю розгорнений шнур подовжувача, який може витримувати навантаження в 16 Ампер
- У разі електричної або механічної несправності, негайно відключите інструмент і вимкніть з розетки
- SKIL гарантує надійну роботу інструмента тільки при використанні відповідного приладдя
- Цей інструмент не можна використовувати особам віком до 16 років
- Рівень шуму при роботі може перевищувати 85 дБ(а); використовуйте навушники
- **Тримайте електричний інструмент за ізольовані рукоятки, тому що стрічка може зачепити власний шнур живлення** (перерізання дроту під напругою призведе до проходження електричного струму через металеві деталі інструменту та до ураження оператора струмом)
- Якщо шнур пошкоджений або прорізаний при роботі, не доторкайтеся до нього і негайно витягніть його з розетки
- Ніколи не використовуйте інструмент з пошкодженим шнуром; його повинен замінити кваліфікований фахівець
- Перед роботою перевірте відповідність струму в мережі із струмом, позначені на інструменті (інструменти, розраховані на 230В або 240В, також можуть підключатися до мережі 220В)
- Цей інструмент не підходить для мокрої шліфівки
- **Не обробляйте матеріали, що містять асбест** (асбест вважається канцерогенним)
- Пил від таких матеріалів, як свинцовоутримуюча фарба, деякі породи дерева, мінерали й метал, може бути шкідливим (контакт із таким пилом або його вдихання може стати причиною виникнення в оператора або осіб, що перебувають поруч, алергічних реакцій і/або респіраторних захворювань); **надягайте респіратор і працюйте з пиловидалючим пристроєм під час увімкнення інструмента**
- Деякі види пилу класифікуються як канцерогенні (наприклад, дубовий або буковий пил), особливо в сполученні з добавками для кондиціонування деревини; **надягайте респіратор і працюйте з пиловидалючим пристроєм під час увімкнення інструмента**

- Слідуйте інструкціям по роботі з матеріалами, продуруючими пил
- При обробці металу можуть з'являтися іскри; не використовуйте мішок/пилловловлювач/пилосос і видалять займість матеріали з робочої зони
- Не торкайтеся рухомої шліфувальної стрічки
- Не використовуйте зношені, порвані або засмічені шліфувальні стрічки
- Надягайте захисні рукавички, окуляри безпеки, щільно облягаючий одяг і захисну шапочку (для довгого волосся)
- **Перед регулюванням або заміною приладдя обов'язково вийміть вилку із сіткової розетки**

ВИКОРИСТАННЯ

- Вимикач
 - інструмент вмикається/вимикається натисканням/відпусканням гачка А ②
 - ! перш ніж прикласти робочу поверхню до виробу потрібно включити інструмент**
 - ! перш ніж вимкнути інструмент, його треба відвести від оброблюваного виробу**
- Блокування вимикача для тривалої роботи
 - потягнути за гачок А ②
 - натиснути на ручку В ② великим пальцем
 - відпустити гачок
 - розблокувати вимикач, знову потягнувши за гачок А ② і відпустивши його
- Швидка заміна шліфувальної стрічки (система CLIC) ④
 - ! вийняти вилку з розетки**
 - підняти важіль С
 - зняти шліфувальну стрічку
 - вставити нову стрічку таким чином, щоб стрічки, нанесені з внутрішнього боку, вказували у тому самому напрямку, що й стрічка D на інструменті
 - опустити важіль
 - ! завжди вчасно замініть шліфувальну стрічку**
 - ! ніколи не складайте шліфувальні стрічки**
- Автоматичне центрування стрічки (система ABC)
 - автоматично центрує стрічку при вмиканні інструмента
 - утримує стрічку центрованою під час шліфування
 - У випадку, якщо стрічка зійде з інструмента (найчастіше пояснюється поганою якістю стрічки), слід
 - увімкніть інструмент
 - відрегулювати гвинт Е ②, поки шліфувальна стрічка рухається паралельно до плоского боку інструмента
 - якщо стрічка й надалі сходить з інструмента, встановити нову стрічку
- Пилловловлення ⑤
 - регулярно спорожняйте пилловловлювач G/мішок F для оптимального засмоктування пилу
 - коли працює інструментом з пилевсмоктувачем, встановіть адаптер для пилевсмоктувача Н так, як показано на малюнку (1215)
 - за необхідності також очищуйте фільтр, як показано на малюнку
 - ! не використовуйте пилловловлювач/мішок/пилосос при шліфуванні металу**

- Утримування і робота інструментом ⑥
 - направляйте інструмент паралельно робочій поверхні
 - ! під час роботи, завжди тримайте інструмент за частини захвату сірого кольору**
 - ! не прикладайте до інструменту дуже великий тиск**
 - не нахиляйте інструмент, щоб уникати небажаних ділянок
 - тримайте вентиляційні отвори J ② незакритими

ПОРАДИ ПО ВИКОРИСТАННЮ

- Для шліфування необроблених дерев'яних поверхонь проводьте інструментом рівними рухами вздовж волокон
- Для шліфування усіх інших поверхонь проводьте інструментом овальними рухами по матеріалу
- Встановіть шліфувальна рамка К (аксесуар SKIL 2610398244) для вирівнювання поверхонь без подряпин та жолобків, та переконайтеся в тому, що вона надійно встановлена ⑦
 - ! під час роботи шліфувальна рамка розігрівається; не доторкайтесь до неї поки вона не охолоне**
- Ніколи не використовуйте одну і ту саму шліфувальну стрічку для дерева та металу
- Рекомендована зернистість шліфувальної стрічки:
 - крупний - для видалення фарби; для шліфовки необробленого дерева поганої якості
 - середній - для шліфовки необробленого або простого дерева
 - дрібний - для остаточної шліфовки дерева; для обробки необробленої деревини; для шліфовки поверхонь із старою фарбою
- Використовуйте різні наждачні листи для необробленої поверхні:
 - починайте шліфувати крупним або середнім листом
 - завершуйте дрібним
- Див додаткову інформацію на www.skil.com

ДОГЛЯД/ОБСЛУГОВУВАННЯ

- Цей інструмент не придатний для промислового використання
- Завжди тримайте інструмент та його шнур в чистоті (особливо вентиляційні отвори J ②)
 - видалять налиплий пил щіткою
 - ! перед чистою інструменту необхідно роз'єднати штепсельний роз'єм**
- Якщо незважаючи на ретельну технологію виготовлення і перевірки інструмент все-таки вийде з ладу, його ремонт дозволяється виконувати лише в авторизованій сервісній майстерні для електроприладів SKIL
 - надішліть **нерозібраний** інструмент разом з доказом купівлі до Вашого дилера або до найближчого центру обслуговування SKIL (адреси, а також діаграма обслуговування пристрою, подаються на сайті www.skil.com)

ОХОРОНА НАВКОЛИШНЬОЇ СЕРЕДИ

- **Не викидайте електроінструмент, належності та упакування разом зі звичайним сміттям** (тільки для країн ЄС)
 - відповідно до європейської директиви 2012/19/ЄС щодо утилізації старих електричних та електронних приладів, в залежності з місцевим законодавством, електроінструмент, який перебував в експлуатації повинен бути утилізований окремо, безпечним для навколишнього середовища шляхом
 - **малюнок 8** нагадає вам про це

ДЕКЛАРАЦІЯ ПРО ВІДПОВІДНІСТЬ СТАНДАРТАМ СЕ

- Ми заявляємо під нашу виключну відповідальність, що описаний в "Технічні дані" продукт відповідає таким нормам або нормативним документам: EN 60745, EN 61000, EN 55014 у відповідності до положень директив 2004/108/EG, 2006/42/EG, 2011/65/EC
- **Технічні документи в:** SKIL Europe BV (PT-SEU/ENG1), 4825 BD Breda, NL

Marijn van der Hoofden
Operations & Engineering

Olaf Dijkgraaf
Approval Manager

SKIL Europe BV, 4825 BD Breda, NL

09.12.2013

ШУМ/ВІБРАЦІЯ

- Зміряний відповідно до EN 60745 рівень тиску звуку даного інструменту 87 дБ(А) і потужність звуку 98 дБ(А) (стандартне відхилення: 3 дБ), і вібрація 2,1 м/с² (ручна методика; похибка K = 1,5 м/с²)
 - Рівень вібрації було виміряно у відповідності зі стандартизованим випробуванням, що міститься в EN 60745; дана характеристика може використовуватися для порівняння одного інструмента з іншим, а також для попередньої оцінки впливу вібрації під час застосування даного інструмента для вказаних цілей
 - при використанні інструмента в інших цілях або з іншими/несправними допоміжними пристосуваннями рівень впливу вібрації може значно **підвищуватися**
 - у періоди, коли інструмент вимикнений або функціонує без фактичного виконання роботи, рівень впливу вібрації може значно **знижуватися**
- ! захищайте себе від впливу вібрації, підтримуючи інструмент і його допоміжні пристосування в справному стані, підтримуючи руки в теплі, а також правильно організовуючи свій робочий процес**

GR

Ταινιολεϊαντήρας

1210/1215

ΕΙΣΑΓΩΓΗ

- Αυτό το εργαλείο προορίζεται για την υπό υψηλή αφαίρεση υλικού ξηρή λείανση ξύλου, πλαστικών, μετάλλων, στόκου και βερνικωμένων επιφανειών
- Αυτό το εργαλείο δεν προορίζεται για επαγγελματική χρήση
- Διαβάστε και φυλάξτε αυτές τις οδηγίες χρήσεως ③

ΤΕΧΝΙΚΑ ΧΑΡΑΚΤΗΡΙΣΤΙΚΑ ①

ΜΕΡΗ ΤΟΥ ΕΡΓΑΛΕΙΟΥ ②

- A Διακόπτης εκκίνησης/στάσης
- B Κομπι ασφάλισης του διακόπτη Εκκίνησης/Στάσης
- C Μοχλός αλλαγής σμυριδοταινίας
- D Βέλος
- E Βίδα ρύθμισης κεντραρίσματος σμυριδοταινίας
- F Σάκκο συλλογής σκόνης
- G Δοχείο συλλογής σκόνης
- H Προσαρμοστικό της ηλεκτρικής σκούπας
- J Σχισμές αερισμού
- K Πλαίσιο λείανσης

ΑΣΦΑΛΕΙΑ

ΓΕΝΙΚΕΣ ΥΠΟΔΕΙΞΕΙΣ ΑΣΦΑΛΕΙΑΣ

ΠΡΟΕΙΔΟΠΟΙΗΣΗ! Διαβάστε όλες τις προειδοποιητικές υποδείξεις. Αμέλειες κατά την τήρηση των προειδοποιητικών υποδείξεων μπορεί να προκαλέσουν ηλεκτροπληξία, κίνδυνο πυρκαγιάς ή/και σοβαρούς τραυματισμούς. **Φυλάξτε όλες τις προειδοποιητικές υποδείξεις και οδηγίες για κάθε μελλοντική χρήση.** Ο ορισμός "ηλεκτρικό εργαλείο" που χρησιμοποιείται στις προειδοποιητικές υποδείξεις αναφέρεται σε ηλεκτρικά εργαλεία που τροφοδοτούνται από το ηλεκτρικό δίκτυο (με ηλεκτρικό καλώδιο) καθώς και σε ηλεκτρικά εργαλεία που τροφοδοτούνται από μπαταρία (χωρίς ηλεκτρικό καλώδιο).

1) ΑΣΦΑΛΕΙΑ ΣΤΟ ΧΩΡΟ ΕΡΓΑΣΙΑΣ

- a) Διατηρείτε το χώρο που εργάζεσθε καθαρό και καλά φωτισμένο. Αταξία στο χώρο που εργάζεσθε ή μη φωτισμένες περιοχές εργασίας μπορεί να οδηγήσουν σε ατυχήματα.
- b) Μην εργάζεσθε με το ηλεκτρικό εργαλείο σε περιβάλλον που υπάρχει κίνδυνος έκρηξης, στο οποίο υπάρχουν εύφλεκτα υγρά, αέρια ή σκόνη. Τα ηλεκτρικά εργαλεία μπορεί να δημιουργήσουν σπινθηρισμό ο οποίος μπορεί να αναφέξει τη σκόνη ή τις αναθυμιάσεις.
- c) Όταν χρησιμοποιείτε το ηλεκτρικό εργαλείο κρατάτε τα παιδιά κι άλλα τυχόν πρόσωπα μακριά από το χώρο που εργάζεσθε. Σε περίπτωση που άλλα άτομα αποσπάσουν την προσοχή σας μπορεί να χάσετε τον έλεγχο του μηχανήματος.

2) ΗΛΕΚΤΡΙΚΗ ΑΣΦΑΛΕΙΑ

- a) Το φως του καλωδίου του ηλεκτρικού εργαλείου πρέπει να ταιριάζει στην αντίστοιχη πρίζα. Δεν επιτρέπεται με κανένα τρόπο η μετασκευή του φως. Μη χρησιμοποιείτε προσωρινά φως σε συνδυασμό με ηλεκτρικά εργαλεία συνδεδεμένα με τη γη (γειωμένα). Αθικτα φως και κατάλληλες πρίζες μειώνουν τον κίνδυνο ηλεκτροπληξίας.
- b) Αποφεύγετε την επαφή του σώματος σας με γειωμένες επιφάνειες όπως σωλήνες, θερμαντικά σώματα (καλοριφέρ), κουζίνες και ψυγεία. Όταν το σώμα σας είναι γειωμένο αυξάνεται ο κίνδυνος ηλεκτροπληξίας.
- c) Μην εκθέτετε το ηλεκτρικό εργαλείο στη βροχή ή την υγρασία. Η διείσδυση νερού στο ηλεκτρικό εργαλείο αυξάνει τον κίνδυνο ηλεκτροπληξίας.
- d) Μη χρησιμοποιείτε το καλώδιο για να μεταφέρετε ή ν'αυαρητήσετε το ηλεκτρικό εργαλείο ή για να βγάλετε το φως από την πρίζα. Κρατάτε το καλώδιο μακριά από υψηλές θερμοκρασίες, λάδια, κοφτερές ακμές ή κινούμενα εξαρτήματα. Τυχόν χαλασμένα ή μπερδεμένα καλώδια αυξάνουν τον κίνδυνο ηλεκτροπληξίας.
- e) Όταν εργάζεσθε με το ηλεκτρικό εργαλείο στο ύπαιθρο χρησιμοποιείτε πάντοτε καλώδια επιμήκυνσης (μπαλαντάδες) που έχουν εγκριθεί για χρήση σε εξωτερικούς χώρους. Η χρήση καλωδίων επιμήκυνσης εγκριμένων για εργασία σε εξωτερικούς χώρους μειώνει τον κίνδυνο ηλεκτροπληξίας.
- f) Όταν η χρήση του ηλεκτρικού εργαλείου σε υγρό περιβάλλον είναι αναπόφευκτη, τότε χρησιμοποιήστε έναν προστατευτικό διακόπτη διαρροής. Η χρήση ενός προστατευτικού διακόπτη διαρροής ελαττώνει τον κίνδυνο ηλεκτροπληξίας.

3) ΑΣΦΑΛΕΙΑ ΠΡΟΣΩΠΩΝ

- a) Να είσθε πάντοτε προσεκτικός/προσεκτική, να δίνετε προσοχή στην εργασία που κάνετε και να χειρίζεσθε το ηλεκτρικό εργαλείο με περισκεψη. Μην κάνετε χρήση του ηλεκτρικού εργαλείου όταν είσθε κουρασμένος/κουρασμένη ή όταν βρίσκεσθε υπό την επιρροή ναρκωτικών, οινοπνεύματος ή φαρμάκων. Μια στιγμήα απροσεξία κατά το χειρισμό του ηλεκτρικού εργαλείου μπορεί να οδηγήσει σε σοβαρούς τραυματισμούς.
- b) Φοράτε προστατευτικά ενδύματα και πάντοτε προστατευτικά γυαλιά. Όταν φοράτε ενδύματα ασφαλείας, ανάλογα με το υπό χρήση ηλεκτρικό εργαλείο, όπως προσωπίδα προστασίας από σκόνη, αντιβιοσθικά παπούτσια ασφαλείας, κράνη ή ωτασπίδες, μειώνεται ο κίνδυνος τραυματισμών.
- c) Αποφεύγετε την αθέλητη εκκίνηση. Βεβαιωθείτε ότι το ηλεκτρικό εργαλείο έχει αποζευχθεί πριν το συνδέσετε με το ηλεκτρικό δίκτυο ή/και με την μπαταρία καθώς και πριν το παραλάβετε ή το μεταφέρετε. Όταν μεταφέρετε το ηλεκτρικό εργαλείο έχοντας το δάχτυλό σας στο διακόπτη ή όταν συνδέσετε το μηχάνημα με την πηγή ρεύματος όταν αυτό είναι ακόμη συζευγμένο, τότε δημιουργείται κίνδυνος τραυματισμών.
- d) Αφαιρείτε από τα ηλεκτρικά εργαλεία πριν τα θέσετε σε λειτουργία τυχόν συναρμολογημένα

χρησιμοποιήσιμα εργαλεία ή κλειδιά. Ένα εργαλείο ή κλειδί συναρμολογημένο στο περιστρεφόμενο εξάρτημα ενός ηλεκτρικού εργαλείου μπορεί να οδηγήσει σε τραυματισμούς.

- e) Μην υπερκτιμάτε τον εαυτό σας. Φροντίζετε για την ασφαλή στήριξη του σώματος σας και διατηρείτε πάντοτε την ισορροπία σας. Αυτό σας επιτρέπει τον καλύτερο έλεγχο το ηλεκτρικού εργαλείου σε περιπτώσεις απροσδόκητων καταστάσεων.
 - f) Φοράτε κατάλληλη ενδυμασία εργασίας. Μη φοράτε καρδιά ενδύματα ή κοσμήματα. Κρατάτε τα μαλλιά σας, τα ενδύματα σας και τα γάντια σας μακριά από τα κινούμενα εξαρτήματα. Χαλαρή ενδυμασία, κοσμήματα και μακριά μαλλιά μπορεί να εμπλακούν στα κινούμενα εξαρτήματα.
 - g) Αν υπάρχει η δυνατότητα συναρμολόγησης διατάξεων αναρρόφησης ή συλλογής σκόνης, βεβαιωθείτε αν οι διατάξεις αυτές είναι συνδεδεμένες καθώς κι αν χρησιμοποιούνται σωστά. Η χρήση μιας αναρρόφησης σκόνης μπορεί να ελαττώσει τον κίνδυνο που προκαλείται από τη σκόνη.
- ## 4) ΧΡΗΣΗ ΚΙ ΕΠΙΜΕΛΗΣ ΧΕΙΡΙΣΜΟΣ ΤΩΝ ΗΛΕΚΤΡΙΚΩΝ ΕΡΓΑΛΕΙΩΝ
- a) Μην υπερφορτώνετε το ηλεκτρικό εργαλείο. Χρησιμοποιείτε για την εκάστοτε εργασία σας το ηλεκτρικό εργαλείο που προορίζεται γι' αυτήν. Με το κατάλληλο ηλεκτρικό εργαλείο εργάζεσθε καλύτερα και ασφαλέστερα στην αναφερόμενη περιοχή ισχύος.
 - b) Μη χρησιμοποιήσετε ποτέ ένα ηλεκτρικό εργαλείο του οποίου ο διακόπτης ON/OFF είναι χαλασμένος. Ένα ηλεκτρικό εργαλείο το οποίο δεν μπορεί να τεθεί πλέον σε ή εκτός λειτουργίας είναι επικίνδυνο και πρέπει να επισκευαστεί.
 - c) Βγάzte το φως από την πρίζα και/ή αφαιρέστε την μπαταρία πριν διεξάγετε στο εργαλείο μια οποιαδήποτε εργασία ρύθμισης, πριν αλλάξετε ένα εξάρτημα ή όταν πρόκειται να διαφυλάξετε/να αποθηκεύσετε το εργαλείο. Αυτά τα προληπτικά μέτρα ασφαλείας μειώνουν τον κίνδυνο από τυχόν αθέλητη εκκίνηση του ηλεκτρικού εργαλείου.
 - d) Διαφυλάγετε τα ηλεκτρικά εργαλεία που δε χρησιμοποιείτε μακριά από παιδιά. Μην αφήνετε άτομα που δεν είναι εξοικειωμένα με το ηλεκτρικό εργαλείο ή δεν έχουν διαβάσει αυτές τις οδηγίες χρήσης να το χρησιμοποιήσουν. Τα ηλεκτρικά εργαλεία είναι επικίνδυνα όταν χρησιμοποιούνται από άπειρα πρόσωπα.
 - e) Να περιποιήστε προσεκτικά το ηλεκτρικό σας εργαλείο και να ελέγχετε, αν τα κινούμενα τμήματα του λειτουργούν άψογα και δεν μπλοκάρουν, ή μήπως έχουν χαλάσει ή σπάσει εξαρτήματα, τα οποία επηρεάζουν έτσι αρνητικά τον τρόπο λειτουργίας του ηλεκτρικού εργαλείου. Δώστε τυχόν χαλασμένα εξαρτήματα του ηλεκτρικού εργαλείου για επισκευή πριν το χρησιμοποιήσετε πάλι. Η ανεπαρκής συντήρηση των ηλεκτρικών εργαλείων αποτελεί αιτία πολλών ατυχημάτων.
 - f) Διατηρείτε τα κοπτικά εργαλεία κοφτερά και καθαρά. Τα κοπτικά εργαλεία που συντηρούνται με

προσοχή μπορούν να οδηγηθούν εύκολα και να ελεγχθούν καλύτερα.

- g) **Χρησιμοποιείτε τα ηλεκτρικά εργαλεία, τα εξαρτήματα, τα χρησιμοποιήσιμα εργαλεία κτλ. σύμφωνα με τις παρούσες οδηγίες καθώς. Λαμβάνετε ταυτόχρονα υπόψη σας τις συνθήκες εργασίας και την υπό εκτέλεση εργασία.** Η χρήση του ηλεκτρικού εργαλείου για άλλες εκτός από τις προβλεπόμενες εργασίες μπορεί να δημιουργήσει επικίνδυνες καταστάσεις.

5) SERVICE

- a) **Δίνετε το ηλεκτρικό σας εργαλείο για επισκευή από άριστα ειδικευμένο προσωπικό, μόνο με γνήσια ανταλλακτικά.** Έτσι εξασφαλίζεται η διατήρηση της ασφάλειας του ηλεκτρικού εργαλείου.

ΥΠΟΔΕΙΞΙΣ ΑΣΦΑΛΕΙΑΣ ΓΙΑ ΤΡΙΒΕΙΑ

- Προφυλάξτε το εργαλείο από τυχόν φθορές από ξένα σώματα (βίδες, καρφιά ή άλλα) που ίσως είναι μέσα στο κομμάτι που θα δουλέψετε - αφαιρέστε τα πριν αρχίσετε την εργασία
- Να κρατάτε πάντα το καλώδιο μακριά από τα κινούμενα μέρη του εργαλείου σας - κρατάτε το καλώδιο προς τα πίσω, μακριά από το εργαλείο
- **Στερεώστε το κομμάτι εργασίας** (το κομμάτι εργασίας συγκρατείται καλύτερα με σφιγκτήρες ή σε μέγγενη παρά με το χέρι)
- Όταν τελειώνετε την δουλειά σας και ακουμπάτε το εργαλείο στο πλάι, κλείστε τον διακόπτη και βεβαιωθείτε ότι όλα τα κινούμενα μέρη του έχουν σταματήσει εντελώς
- Χρησιμοποιείτε ασφαλείς, τελειώς ξετυλιγμένες προεκτάσεις καλωδίου με χωρητικότητα 16 Amps
- Σε περίπτωση ηλεκτρικής ή μηχανικής δυσλειτουργίας, σταματήστε αμέσως το εργαλείο και βγάλτε το από την πρίζα
- Η SKIL εγγυάται την τέλεια λειτουργία του εργαλείου μόνο όταν χρησιμοποιούνται αυθεντικά εξαρτήματα
- Αυτό το εργαλείο δεν πρέπει να χρησιμοποιείται από άτομα κάτω των 16 ετών
- Η ηχητική στάθμη κατά την εργασία ενδέχεται να ξεπεράσει τα 85 dB(A) - γι' αυτό θα πρέπει να φοράτε προστασία ακοής
- **Κρατήστε το ηλεκτρικό εργαλείο από τις μονωμένες επιφάνειες συγκράτησης, καθώς η ζώνη μπορεί να έρθει σε επαφή με το δικό της καλώδιο** (το κόψιμο ενός ηλεκτροφόρου καλωδίου ενδέχεται να κάνει ηλεκτροφόρα τα προσβάσιμα μεταλλικά μέρη και να προκληθεί ηλεκτροπληξία στον χειριστή)
- Σε περίπτωση που υποστεί βλάβη ή κοπεί το καλώδιο κατά την εργασία, μην αγγίζετε το καλώδιο, αλλά αποσυνδέστε αμέσως το φισ από την πρίζα
- Ποτέ μη χρησιμοποιείτε το εργαλείο όταν έχει υποστεί βλάβη το καλώδιο - το καλώδιο θα πρέπει να αντικατασταθεί από έναν εξειδικευμένο τεχνίτη
- Βεβαιωθείτε ότι η τάση του παρεχόμενου ρεύματος είναι ίδια με την τάση που υποδεικνύεται στην πινακίδα δεδομένων του εργαλείου (εργαλεία που φέρουν την ένδειξη 230V ή 240V μπορούν να συνδεθούν επίσης σε πρίζα 220V)

- Αυτό το εργαλείο δεν είναι κατάλληλο για λείανση με γρήση υγρών
- **Μην κατεργάζεστε υλικά που περιέχουν αμίαντο** (το αμίαντο θεωρείται σαν καρκινογόνο υλικό)
- Η σκόνη από υλικά όπως μογιές που περιέχουν μόλυβδο, ορισμένα είδη ξύλου, ανόργανα στοιχεία και μέταλλα μπορεί να είναι επιβλαβής (η επαφή ή η εισπνοή της σκόνης μπορεί να προκαλέσει αλλεργικές αντιδράσεις ή/και αναπνευστικές ασθένειες στον χειριστή ή σε άτομα που παρίστανται) - **να φοράτε προσωπίδα προστασίας από τη σκόνη και να εργάζεστε με συσκευή αφαίρεσης σκόνης όταν είναι δυνατό**
- Ορισμένα είδη σκόνης ταξινομούνται ως καρκινογόνα (όπως η σκόνη από τη δρυ ή την οξιά) ιδιαίτερα σε συνδυασμό με πρόσθετα συντήρησης ξύλου - **να φοράτε προσωπίδα προστασίας από τη σκόνη και να εργάζεστε με συσκευή αφαίρεσης σκόνης όταν είναι δυνατό**
- Ακολουθήστε τις σχετικές με σκόνη εθνικές διατάξεις για τα υλικά που θέλετε να εργαστείτε
- Όταν λειανείτε μέταλλα παράγονται σπινθήρες - μη χρησιμοποιείτε το σάκκο συλλογής σκόνης/το δοχείο συλλογής σκόνης/την ηλεκτρική σκούπα και απομακρύνετε άλλα άτομα και εύφλεκτα υλικά από τον χώρο εργασίας
- Μην έρχεστε σε επαφή με την κινούμενη σμυριδοταινία
- Δεν επιτρέπεται η περαιτέρω χρήση σμυριδοταινιών που έχουν φθαρεί, σχιστεί ή έχουν χάσει τη λειαντική τους ικανότητα
- Φοράτε προστατευτικά γάντια, προστατευτικά γυαλιά, εφαρμοστά ενδύματα και κάλυμμα μαλλιών (για μακριά μαλλιά)
- **Πάντα να αποσυνδέεται την πρίζα από το ηλεκτρικό δίκτυο πριν κάνετε κάποια ρύθμιση ή αλλάξετε εξάρτημα**

ΧΡΗΣΗ

- Διακόπτης Εκκίνησης/Στάσης (ON/OFF)
 - Ξεκινάτε/σταματάτε το εργαλείο σας τραβώντας/απελευθερώνοντας την σκανδάλη A ②
- ! **πρέπει να ξεκινήσετε το εργαλείο πριν η λειαντική επιφάνεια (το γυαλόχαρτο) φθάσει το κομμάτι που κατεργάζεσθε**
- ! **προτού σταματήσετε το εργαλείο πρέπει να το ανασκώσετε από το κατεργαζόμενο κομμάτι**
- Ασφάλιση του διακόπτη για συνεχή λειτουργία
 - τραβήξτε τη σκανδάλη A ②
 - πιέστε το κουμπί B ② με τον αντίχειρα
 - απελευθερώστε τη σκανδάλη
 - απαφαλίζετε το διακόπτη τραβώντας πάλι τη σκανδάλη A ② και μετά απελευθερώνοντας την
- Ταχεία αλλαγή της σμυριδοταινίας (σύστημα CLIC) ④
 - ! **βγάλτε το φισ από την πρίζα**
 - ανασκώστε το μοχλό C
 - αφαιρέστε τη σμυριδοταινία
 - τοποθετήστε καινούργια σμυριδοταινία προσέχοντας ώστε τα τόξα που είναι τυπωμένα στο εσωτερικό της να δείχνουν στην ίδια κατεύθυνση με το βέλος D που είναι επάνω στο εργαλείο
 - σπρώξτε πίσω το μοχλό
 - ! **αλλάξτε εγκαίρως τη σμυριδοταινία**
 - ! **ποτέ μη διπλώνετε τη σμυριδοταινία**

- Αυτόματο κεντράρισμα της σμυριδοταινίας (ABC)
 - η σμυριδοταινία κεντράρεται αυτόματα κατά τη θέση σε λειτουργία του εργαλείου
 - η σμυριδοταινία μένει στη θέση της κατά τη λείανση Σε περίπτωση που η ταινία γλιστρήσει από το εργαλείο (συνήθως σαν αποτέλεσμα της χρήσης σμυριδοταινίας κατώτερης ποιότητας), θα πρέπει να
 - ενεργοποιήσετε το εργαλείο
 - ρυθμίσετε τη βίδα E ② μέχρι το σημείο όπου η σμυριδοταινία κινείται σε ευθεία γραμμή με τη πλατεία πλευρά του εργαλείου
 - χρησιμοποιήστε μια νέα ταινία αν η ταινία εξακολουθεί να γλιστράει από το εργαλείο
- Απορρόφηση σκόνης ⑤
 - να δραστείτε κανονικά το δοχείο G/σάκκο F για καλύτερη απορρόφηση της σκόνης
 - όταν χρησιμοποιείτε το εργαλείο σε συνδιασμό με την ηλεκτρική σκούπα, τοποθετείστε το συστ. προσαρμογής ηλεκτρικής κούπας H όπως δείχνει η εικόνα (1215)
 - όποτε κρίνεται απαραίτητο, να καθαρίζετε και το φίλτρο όπως δείχνει η εικόνα

! μη χρησιμοποιείτε το δοχείο συλλογής σκόνης/σάκκο συλλογής σκόνης/την ηλεκτρική σκούπα όταν λειοιάνετε μέταλλα
- Πώς να κρατάτε και να οδηγείτε το εργαλείο ⑥
 - οδηγείτε το εργαλείο σας παράλληλα προς την επιφάνεια εργασίας

! ενώ εργάζεστε, να κρατάτε πάντα το εργαλείο από τη/τις λαβή/ές με γκρι χρώμα

! μην εφαρμόζετε υπερβολική πίεση στο εργαλείο - αφήστε την λειαντική επιφάνεια να δουλέψει για σας

 - μην κινείτε απότομα και μη γέρνετε το εργαλείο για να αποφύγετε σημάδια στη λειανόμενη επιφάνεια
 - κρατάτε τις σχισμές αερισμού J ② ακάλυπτες

ΟΔΗΓΙΕΣ ΕΦΑΡΜΟΓΗΣ

- Για τη λείανση της επιφάνειας γυμνού ξύλου να κινείτε πάντα το εργαλείο σας σε ευθεία με τα νερά του ξύλου
- Για τη λείανση οποιασδήποτε άλλης επιφάνειας να κινείτε το εργαλείο με οβάλ κινήσεις πάνω στο υλικό
- Τοποθετήστε το πλαίσιο λείανσης K (εξάρτημα SKIL 2610398244) για να ισοσταθμιστούν οι επιφάνειες χωρίς γρατσουνιές ή αυλακώσεις, και βεβαιωθείτε ότι βρίσκεται σωστά στη θέση του ⑦
- ! το πλαίσιο λείανσης K ζεσταίνεται κατά τη χρήση, γι' αυτό μην το αγγίζετε μέχρι να κρυώσει**
- Ποτέ μην κατεργάζεστε ξύλα και μέταλλα με την ίδια σμυριδοταινία
- Συνιστώμενες ποιότητες σμυριδοταινίας:

χονδρόκοκκο-	για την αφαίρεση χρωμάτων, για λείανση εξαιρετικά άγριου ξύλου
μεσαίων κόκκων-	για λείανση άγριου ή μαλακού ξύλου
λεπτόκοκκο-	για λεπτή λείανση επιφανείας ξύλου, για φινιρίσμα γυμνού ξύλου, για λείανση επιφανείων με παλιό στρώμα χρώματος

- Να χρησιμοποιείτε διάφορα μεγέθη κόκκων όταν η επιφάνεια που κατεργάζεστε είναι άγρια:
 - ξεκινήστε τη λείανση με χονδρούς κόκκους ή μεσαίου μεγέθους κόκκους
 - τελειώστε τη κατεργασία με λεπτούς κόκκους
- Για περισσότερες συμβουλές δείτε www.skil.com

ΣΥΝΤΗΡΗΣΗ / ΣΕΡΒΙΣ

- Αυτό το εργαλείο δεν προορίζεται για επαγγελματική χρήση
- Κρατάτε πάντοτε το εργαλείο και το καλώδιο καθαρά (και ιδιαίτερα τις θυρίδες αερισμού J ②)
 - απομακρύνετε την κολλημένη σκόνη μ' ένα πινέλο

! αφαιρέστε την πρίζα πριν το καθαρίσμα
- Αν παρ' όλες τις επιμελημένες μεθόδους κατασκευής και ελέγχου το εργαλείο σταματήσει κάποτε να λειτουργεί, τότε η επισκευή του πρέπει να ανατεθεί σ' ένα εξουσιοδοτημένο συνεργείο για ηλεκτρικά εργαλεία της SKIL
 - στείλτε το εργαλείο **χωρίς να το αποσυρμαρμολογήσετε** μαζί με την απόδειξη αγοράς στο κατάστημα από το οποίο το αγοράσατε ή στον πλησιέστερο σταθμό τεχνικής εξυπηρέτησης της SKIL (θα βρείτε τις διευθύνσεις και το διάγραμμα συντήρησης του εργαλείου στην ιστοσελίδα www.skil.com)

ΠΕΡΙΒΑΛΛΟΝ

- Μην πετάτε τα ηλεκτρικά εργαλεία, εξαρτήματα και συσκευασία στον κάδο οικιακών απορριμμάτων (μόνο για τις χώρες της ΕΕ)
 - σύμφωνα με την ευρωπαϊκή οδηγία 2012/19/EK περί ηλεκτρικών και ηλεκτρονικών συσκευών και την ενσωμάτωσή της στο εθνικό δίκαιο, τα ηλεκτρικά εργαλεία πρέπει να συλλέγονται ξεχωριστά και να επιστρέφονται για ανακύκλωση με τρόπο φιλικό προς το περιβάλλον
 - το σύμβολο ⑧ θα σας το θυμήσει αυτό όταν έλθει η ώρα να πετάξετε τις

ΔΗΛΩΣΗ ΣΥΜΜΟΡΦΩΣΗΣ CE

- Δηλώνουμε υπευθύνως ότι το προϊόν που περιγράφεται στα "Τεχνικά χαρακτηριστικά" εκπληρώνει τους εξής κανονισμούς ή κατασκευαστικές συστάσεις: EN 60745, EN 61000, EN 55014 σύμφωνα με τις διατάξεις των οδηγιών 2004/108/EK, 2006/42/EK, 2011/65/EE
- **Τεχνικός φάκελος από:** SKIL Europe BV (PT-SEU/ENG1), 4825 BD Breda, NL

Marijn van der Hoofden
Operations & Engineering

Olaf Dijkgraaf
Approval Manager

SKIL Europe BV, 4825 BD Breda, NL

09.12.2013

ΘΟΡΥΒΟ/ΚΡΑΔΑΣΜΟΥΣ

- Μετρημένη σύμφωνα με EN 60745 η στάθμη ακουστικής πίεσης αυτού του εργαλείου ανέρχεται σε 87 dB(A) και η στάθμη ηχητικής ισχύος σε 98 dB(A) (κοινή απόκλιση: 3 dB), και ο κραδασμός σε 2,1 m/s² (μεθοδος χείρ/βραχίονα - ανασφάλεια K = 1,5 m/s²)
 - Το επίπεδο παραγωγής κραδασμών έχει μετρηθεί σύμφωνα με μια τυποποιημένη δοκιμή που αναφέρεται στο πρότυπο EN 60745 - μπορεί να χρησιμοποιηθεί για τη σύγκριση ενός εργαλείου με ένα άλλο, καθώς και ως προκαταρκτική αξιολόγηση της έκθεσης στους κραδασμούς όταν το εργαλείο χρησιμοποιείται για τις εφαρμογές που αναφέρονται
 - η χρήση του εργαλείου για διαφορετικές εφαρμογές ή με διαφορετικά ή κακοσυντηρημένα εξαρτήματα μπορεί να **αυξήσει** σημαντικά το επίπεδο έκθεσης
 - όταν το εργαλείο είναι απενεργοποιημένο ή δουλεύει αλλά δεν εκτελεί την εργασία, το επίπεδο έκθεσης μπορεί να **μειωθεί** σημαντικά
- ! προστατευτείτε από τις επιδράσεις των κραδασμών συντηρώντας σωστά το εργαλείο και τα εξαρτήματά του, διατηρώντας τα χέρια σας ζεστά και οργανώνοντας τον τρόπο εργασίας σας**

RO

Σλέφuitor cu banda 1210/1215

INTRODUCERE

- Această sculă se utilizează pentru șlefuirea uscată, cu performanțe ridicate, a lemnului, plasticului, metalului, chitului și a suprafețelor vopsite
- Această sculă nu este destinată utilizării profesionale
- Citiți și păstrați acest manual de instrucțiuni ③

DATE TEHNICE ①

ELEMENTELE SCULEI ②

- A Întrerupător pornit/oprit
- B Buton de blocare a întrerupătorului pornit/oprit
- C Manetă pentru schimbarea bandei de șlefuire
- D Șăgeată
- E Șurub pentru ajustarea centrării benzii
- F Sacul pentru praf
- G Casetă pentru praf
- H Adaptor aspiratorului
- J Fantele de ventilație
- K Rama de șlefuire

SIGURANȚA

INSTRUCȚIUNI DE SIGURANȚĂ GENERALE

⚠ ATENȚIE! Citiți toate indicațiile de avertizare și instrucțiunile. Nerespectarea indicațiilor de avertizare și a instrucțiunilor poate provoca electrocutare, incendii și/sau răni grave. **Păstrați toate indicațiile de avertizare și instrucțiunile în vederea utilizărilor viitoare.** Termenul de "sculă electrică" folosit în indicațiile de avertizare se

referă la sculele electrice alimentate de la rețea (cu cablu de alimentare) și la sculele electrice cu acumulator (fără cablu de alimentare).

1) SIGURANȚA LA LOCUL DE MUNCĂ

- a) **Păstrați-vă locul de muncă curat și bine iluminat.** Dezordinea la locul de muncă sau existența unor sectoare de lucru neiluminate poate duce la accidente.
- b) **Nu folosiți mașina în medii cu pericol de explozie, acolo unde există lichide, gaze sau pulberi inflamabile.** Sculele electrice pot produce scânteii care să aprindă pulberile sau vaporii.
- c) **Nu permiteți accesul copiilor și al altor persoane în timpul lucrului cu mașina.** Dacă vi se distrage atenția puteți pierde controlul asupra mașinii.

2) SECURITATE ELECTRICĂ

- a) **Ștecherul de racordare a mașinii trebuie să se potrivească cu priză de alimentare. Nu este permisă în nici-un caz modificarea ștecherului. Nu folosiți adaptoare pentru ștechere la mașinile legate la pământ.** Ștecherule nemodificate și prizele de curent adecvate acestora reduc riscul de electrocutare.
- b) **Evitați contactul corporal cu suprafețe legate la pământ ca țevi, radiatoare, plite electrice și frigider.** Există un risc crescut de electrocutare atunci când corpul dv. este și el legat la pământ.
- c) **Nu lăsați mașina afară în ploaie sau în mediu umed.** Riscul de electrocutare crește atunci când într-o sculă electrică pătrunde apă.
- d) **Nu trageți niciodată mașina de cordonul de alimentare pentru a o transporta, a o atârna sau a scoate ștecherul din priză de curent. Feriți cordonul de alimentare de căldură, ulei, muchii ascuțite sau de subsansabile aflate în mișcare.** Un cordon de alimentare deteriorat sau înfășurat mărește riscul de electrocutare.
- e) **Atunci când lucrați cu scula electrică în aer liber, folosiți numai cordoane prelungitoare autorizate pentru exterior.** Întrebuințarea unui cordon prelungitor adecvat utilizării în aer liber reduce riscul de electrocutare.
- f) **Atunci când nu poate fi evitată utilizarea sculei electrice în mediu umed, folosiți un întrerupător de circuit cu împământare.** Folosirea unei întrerupător de circuit cu împământare reduce riscul de electrocutare.

3) SECURITATEA PERSOANELOR

- a) **Fiiți vigilenți, fiiți atenți la ceea ce faceți și procedați rațional atunci când lucrați cu scula electrică. Nu folosiți mașina dacă sunteți obosiți sau vă aflați sub influența drogurilor, alcoolului sau a medicamentelor.** Un moment de neatenție în timpul lucrului cu mașina poate duce la răni grave.
- b) **Purtați echipament de protecție personală și întotdeauna ochelari de protecție.** Folosirea echipamentelor de protecție a persoanei ca mască de protecție împotriva prafului, încălțăminte antiderapantă, cască de protecție sau aparat de protecție auditivă, în funcție de tipul și domeniul de folosire al sculei electrice, reduce riscul rănilor.
- c) **Evitați o punere în funcțiune involuntară. Înainte de a introduce ștecherul în priză și/sau de a introduce acumulatorul în scula electrică, de a o ridica sau de**

a o transporta, asigurați-vă că aceasta este oprită.

Dacă atunci când transportați scula electrică țineți degetul pe întrerupător sau dacă porniți scula electrică înainte de a o racorda la rețeaua de curent, puteți provoca accidente.

- d) **Înainte de a pune mașina în funcțiune scoateți afară cheile reglabile și fixe.** O cheie reglabilă sau fixă, aflată într-o componentă de mașină care se rotește, poate provoca răni.
- e) **Nu vă supraapreciați. Asigurați-vă o poziție stabilă și păstrați-vă întotdeauna echilibrul.** Astfel veți putea controla mai bine mașina în situații neașteptate.
- f) **Purtați îmbrăcăminte de lucru adecvată. Nu purtați haine largi sau podoabe. Țineți părul, îmbrăcămintea și mâncămintea departe de componente aflate în mișcare.** Îmbrăcămintea largă, podoabele și părul lung pot fi prinse de piesele aflate în mișcare.
- g) **Dacă există posibilitatea montării de echipamente și instalații de aspirare și colectare a prafului, asigurați-vă că acestea sunt conectate și folosite corect.** Folosirea unei instalații de aspirare a prafului poate duce la reducerea poluării cu praf.

4) MANEVRAȚI ȘI FOLOȘIȚI CU GRIJĂ SCULELE ELECTRICE

- a) **Nu suprasolicitați mașina. Folosiți scula electrică destinată executării lucrării dumneavoastră.** Cu scula electrică potrivită lucrați mai bine și mai sigur în domeniul de putere specificat.
- b) **Nu folosiți scula electrică dacă are întrerupătorul defect.** O sculă electrică, care nu mai poate fi pornită sau oprită este periculoasă și trebuie reparată.
- c) **Scoateți ștecherul afară din priză și/sau îndepărtați acumulatorul, înainte de a executa reglaje, a schimba accesoriul sau de a pune mașina la o parte.** Această măsură preventivă reduce riscul unei porniri involuntare a mașinii.
- d) **În caz de nefolosire păstrați mașinile la loc inaccesibil copiilor. Nu permiteți persoanelor care nu sunt familiarizate cu mașina sau care n-au citit prezentele instrucțiuni, să folosească mașina.** Sculele electrice sunt periculoase atunci când sunt folosite de persoane fără experiență.
- e) **Întrețineți-vă cu grijă mașina. Controlați dacă componentele mobile funcționează corect și dacă nu se blochează, dacă nu există piese defecte sau deteriorate, care să afecteze funcționarea mașinii. Înainte de a repune în funcțiune mașina, duceți-o la un atelier de asistență service pentru repararea sau înlocuirea pieselor deteriorate.** Multe accidente s-au datorat întreținerii defectuoase a sculelor electrice.
- f) **Păstrați accesoriile bine ascuțite și curate.** Accesoriile atent întreținute, cu muchii tăietoare bine ascuțite se blochează mai greu și pot fi conduse mai ușor.
- g) **Folosiți sculele electrice, accesoriile, dispozitivele de lucru etc. conform prezentelor instrucțiuni. Țineți seama de condițiile de lucru și de lucrarea care trebuie executată.** Întrebuințarea unor scule electrice destinate altor utilizări decât cele preconizate, poate duce la situații periculoase.

5) SERVICE

- a) **Permiteți repararea mașinii dumneavoastră numai de către un specialist calificat și numai cu piese de schimb originale.** În acest mod este garantată menținerea siguranței de exploatare a mașinii.

INSTRUCȚIUNI DE SIGURANȚĂ PENTRU ȘLEFUITOARE

- Evitați daunele provocate de șuruburi, ținte și alte elemente din timpul lucrului; înlăturați aceste elemente înainte de a trece la acțiune
- Feriți întotdeauna cordonul de părțile în mișcare ale sculei; orientați cordonul spre spate, la distanță de sculă
- **Securizați piesa de lucru** (o piesă de lucru fixată cu clame sau într-o menghină este ținută mult mai în siguranță decât manual)
- Când puneți instrumentul la o parte, deconectați motorul și asigurați-vă că toate elementele mobile și-au oprit complet mișcarea
- Folosiți cabluri de prelungire derulate complet, protejate/izolate, cu o capacitate de 16 amperi
- În cazul unor defecțiuni electrice sau mecanice deconectați imediat instrumentul și scoateți șnurul din priză
- SKIL garantează funcționarea perfectă a aparatului numai dacă sunt folosite accesoriile originale
- Această sculă nu trebuie să fie folosită de persoane sub 16 ani
- Când este utilizat, nivelul de zgomot poate depăși 85 dB(A); este necesar să purtați echipament de protecție pentru urechi
- **Apucați mașina de mânerul izolat, deoarece banda poate atinge propriul ei cordon** (tăierea unui cablu electric "aflat sub tensiune" poate determina "punerea sub tensiune" a părților metalice expuse ale mașinii și poate cauza electrocutarea operatorului)
- În cazul în care cordonul este deteriorat sau secționat în timpul lucrului, nu atingeți cordonul, dar deconectați imediat de la priză
- Nu folosiți scula atunci când cordonul sau prezintă defecțiuni; înlocuirea lor se va efectua de o persoană autorizată
- Verificați întotdeauna dacă tensiunea de alimentare este aceeași cu tensiunea indicată pe plăcuța de identificare a sculei (sculele cu o specificație de 230V și 240V pot fi conectate și la alimentare de 220V)
- Această sculă nu este destinată pentru șlefuire umedă
- **Nu prelucrați materiale care conțin azbest** (azbestul este considerat a fi cancerigen)
- Praful rezultat din materiale precum vopseaua care conține plumb, unele specii de lemn, minerale și metale poate fi periculos (contactul cu praful sau inhalarea acestuia poate provoca reacții alergice și/sau afecțiuni respiratorii operatorului sau persoanelor care stau în apropiere); **purtați o mască de praf și lucrați cu un dispozitiv de extragere a prafului când poate fi conectat**
- Anumite tipuri de praf sunt clasificate ca fiind cancerigene (cum ar fi praful de stejar și fag) în special în combinație cu aditivi pentru tratarea lemnului; **purtați o mască de praf și lucrați cu un dispozitiv de extragere a prafului când poate fi conectat**

- Respectați reglementările naționale referitoare la aspirația prafului în funcție de materialele de lucru folosite
- În timpul șlefuirii de metale sunt împrăștiate scântei; nu folosiți sacul pentru praf/casetă pentru praf/aspiratorul și nu permiteți prezența altor persoane sau a unor materiale inflamabile în perimetrul de activitate
- Nu atingeți banda mobilă de șlefuire
- Nu continuați să folosiți benzi de șlefuire uzate, rupte sau extrem de îmbăcșite
- Utilizați întotdeauna mănuși de protecție, ochelari de protecție, îmbrăcăminte strânsă pe corp și articole de protecție a părului (în caz de păr lung)
- **Decuplați întotdeauna ștecherul de la sursa de alimentare înainte de a face o reglare sau o schimbare de accesoriu**

UTILIZAREA

- Întrerupătorul pornit/oprit
 - porniți/opriți instrumentul prin tragerea/decuplarea declansatorului A ②
 - ! **înainte ca suprafața de șlefuire să atingă piesa de prelucrat, va trebui să porniți instrumentul**
 - ! **înainte de oprirea scula, trebuie să o ridicați de pe piesa de prelucrat**
- Întrerupător-blocare pentru uz continuu
 - trageți declansatorul A ②
 - apăsați cu degetul gros butonul A ②
 - decuplați declansatorul
 - deblocați întrerupătorul prin tragerea din nou a declansatorului A ②, urmată de decuplarea acestuia
- Schimbarea rapidă a banda de șlefuire (sistemul CLIC) ④
 - ! **deconectați priză**
 - ridicați manetă C
 - înlăturați banda de șlefuire
 - introduceți noua bandă cu săgețile imprimare la partea interioară a benzii îndreptate în aceeași direcție ca săgeata D de pe instrument
 - apăsați manetă la loc
 - ! **schimbați benzile de șlefuire la timp**
 - ! **nu îndoiiți niciodată benzile de șlefuire**
- Centrarea automată a benzii (ABC)
 - banda se centrează în mod automat în momentul conectării instrumentului
 - banda se menține centrata în timpul șlefurii
 - În cazul în care banda se abate de la centrul instrumentului (în majoritatea cazurilor datorită calității inferioare a benzii), va trebui să
 - porniți scula
 - ajustați surubul E ② până când banda de șlefuire va funcționa pe aceeași linie cu partea plată a instrumentului
 - dacă banda se abate încă de la centru, utilizați una nouă
- Aspirarea a prafului ⑤
 - goliți regulat casetă G/sacul F pentru realizarea unui randament optimal de aspirare a prafului
 - atunci când instrumentul este folosit cu aspirator, montați adaptorul pentru aspiratorul H așa cum este ilustrat (1215)
 - dacă este necesar, curățați și filtrul, conform ilustrației

- ! **nu folosiți casetă pentru praf/sacul pentru praf/aspiratorul când șlefuiți metale**
- Mănuirea și dirijarea sculei ⑥
 - dirijați instrumentul paralel cu suprafața de prelucrat
 - ! **în timp ce lucrați, țineți întotdeauna scula de zonă (zonele) de prindere colorate gri**
 - ! **nu aplicați presiune prea mare asupra instrumentului; lăsați ca suprafața de șlefuire să lucreze pentru dumneavoastră**
 - nu înclinați instrumentul, pentru a evita semne nedorite de șlefuire
 - mențineți fantele de ventilație J ② neacoperite

SFATURI PENTRU UTILIZARE

- Pentru șlefuirea suprafețelor neprelucrate de lemn, deplasați instrumentul cu mișcări rectilinii în direcția fibrei
- Pentru șlefuirea altor suprafețe, deplasați instrumentul cu mișcări circulare pe suprafața materialului
- Montați rama de șlefuire K (accesoriul SKIL 2610398244) pentru egalizarea suprafețelor fără zgârieturi sau șanfluri, și asigurați-vă că este bine fixat ⑦
- ! **rama de șlefuire K devine fierbinte în timpul utilizării; nu o atingeți până nu s-a răcit**
- Nu folosiți niciodată aceeași bandă de șlefuit pentru lemn și metal
- Granulația recomandată a benzii de șlefuire:

aspră-	pentru înlăturarea vopselei; pentru șlefuirea lemnului extrem de brut
medie-	pentru șlefuirea lemnului brut sau neted
fin-	pentru finisarea lemnului; pentru finisarea lemnului neprelucrat; pentru finisarea suprafețelor cu vopsea veche
- Utilizați diferite granulații când suprafața de prelucrat este brută:
 - începeți șlefuirea cu o granulație aspră sau medie
 - finisați cu o granulație fină
- A se vedea alte recomandări la www.skil.com


ÎNȚREȚINERE / SERVICE

- Această sculă nu este destinată utilizării profesionale
- Păstrați aparatul și cablul curat (mai ales fantele de ventilație J ②)
 - înlăturați cu o perie praful rămas de la șlefuire
 - ! **deconectați de la priză înainte de a curăța**
- Dacă în ciuda procedeeilor de fabricație și control riguroase scula are totuși o pană, repararea acesteia se va face numai la un atelier de asistență service autorizat pentru scule electrice SKIL
 - trimiteți scula **în totalitatea lui** cu bonul de cumpărare la distribuitorul sau la centrul de service SKIL cel mai apropiat (adrese și diagrame de service se găsesc la www.skil.com)

MEDIUL

- **Nu aruncați sculele electrice, accesoriile sau ambalajele direct la pubelele de gunoi** (numai pentru țările din Comunitatea Europeană)
 - Directiva Europeană 2012/19/EC face referire la modul de aruncare a echipamentelor electrice și electronice și modul de aplicare a normelor în

conformitate cu legisляцията национална; скулите електрични в момента в които са достигнали степен на износване и трябва да се изхвърлят, те трябва да се събират отделно и рециклират в съответствие с нормите за защита на околната среда

- символът  ва ва напомня за това

ДЕКЛАРАЦИЯ ЗА СЪВМЕСТИМОСТ

- Декларирам по собствено отговорност, че продуктът, описан в параграфа "Технически данни" е в съответствие с последващите стандарти и нормативни документи: EN 60745, EN 61000, EN 55014 в съответствие с предвидените директиви 2004/108/CE, 2006/42/CE, 2011/65/UE
- **Технически данни:** SKIL Europe BV (PT-SEU/EN G1), 4825 BD Breda, NL

Marijn van der Hoofden
Operations & Engineering

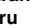
Olaf Dijkgraaf
Approval Manager



SKIL Europe BV, 4825 BD Breda, NL

09.12.2013

ЗВУКОВИ/ВИБРАЦИИ


- Мярсато в съответствие с EN 60745 ниво на звуковия натиск е 87 dB(A) и ниво на мощност на звука 98 dB(A) (абсолютна стойност: 3 dB), и ниво на вибрациите 2,1 m/s² (метод на минимална стойност; инертност K = 1,5 m/s²)
 - Ниво на емисиите на вибрациите е измерено в съответствие с един стандартизиран тест в EN 60745; може да се използва за сравнение с ниво на вибрациите и за оценка на експозицията на вибрациите при използването на уреда. При използването на уреда за почистване на повърхности:
 - използването на уреда за почистване на повърхности с помощта на аксесоари различаващи се от тези, които са включени в списъка на аксесоари, може да увеличи ниво на експозиция
 - моментите, когато уреда е включен или когато работи, могат да намалят ниво на експозиция
- !** **защитава се срещу ефектите на вибрациите при поддръжката на уреда и на аксесоарите, пази ръцете топли и предотвратява процесите на работа **

BG

Лентов шлайф

1210/1215

УВОД

- Уредът се използва за сухо шлифоване с висока производителност на дърво, пластмаса, метал, запълващ материал и боядисани повърхности
- Този инструмент не е предназначен за професионална употреба
- Прочетете и пазете това ръководство за работа 

ТЕХНИЧЕСКИ ДАННИ

ЕЛЕМЕНТИ НА ИНСТРУМЕНТА

- A** Прекъсвач за включване/изключване
- B** Бутон за блокиране на електрическия ключ
- C** Лост за смяна на абразивната лента
- D** Стрелка
- E** Винт за регулиране на центровката на абразивната лента
- F** Торбичката за прах
- G** Колектор за прах
- H** Адаптер за прахосмукачка
- J** Вентилационните отвори
- K** Шлифовъчната рамка

БЕЗОПАСНОСТ

ОБЩИ УКАЗАНИЯ ЗА БЕЗОПАСНА РАБОТА

! **ВНИМАНИЕ!** Прочетете внимателно всички указания. Неспазването на приведените по долу указания може да доведе до токов удар, пожар и/или тежки травми. **Съхранявайте тези указания на сигурно място.** Използваният по-долу термин "електроинструмент" се отнася до захранвани от електрическата мрежа електроинструменти (със захранващ кабел) и до захранвани от акумулаторна батерия електроинструменти (без захранващ кабел).

1) БЕЗОПАСНОСТ НА РАБОТНОТО МЯСТО

- Поддръжката на работното си място трябва да е подредена.** Безпорядъкът или недостатъчното осветление могат да спомогнат за възникването на трудова злополука.
- Не работете с електроинструмента в среда с повишена опасност от възникване на експлозия, в близост до леснозапалими течности, газове или прахообразни материали.** По време на работа в електроинструментите се отделят искри, които могат да възпламенят прахообразни материали или пари.
- Дръжте деца и странични лица на безопасно разстояние, докато работите с електроинструмента.** Ако вниманието Ви бъде отклонено, може да загубите контрола над електроинструмента.

2) БЕЗОПАСНОСТ ПРИ РАБОТА С ЕЛЕКТРИЧЕСКИ ТОК

- Щепселът на електроинструмента трябва да е подходящ за ползвания контакт. В никакъв случай не се допуска изменение на конструкцията на щепсела. Когато работите със занулени електроуреди, не използвайте адаптери за щепсела.** Ползването на оригинални щепсели и контакти намалява риска от възникване на токов удар.
- Избягвайте допира на тялото Ви до заземени тела, напр. тръби, отоплителни уреди, пещи и хладилници.** Когато тялото Ви е заземено, рискът от възникване на токов удар е по-голям.
- Предпазвайте електроинструмента си от дъжд и влага.** Проникването на вода в електроинструмента повишава опасността от токов удар.

- d) **Не използвайте** **захранващия кабел за цели, за които той не е предвиден**, напр. за да носите **електроинструмента за кабела или да извадите щепсела от контакта**. **Предпазвайте кабела от нагряване, омасляване, допир до остри ръбове или до подвижни звена на машини**. Повредени или усукани кабели увеличават риска от възникване на токов удар.
- e) **Когато работите с електроинструмент навън, използвайте само удължителни кабели, предназначени за работа на открито**. Използването на удължител, предназначен за работа на открито, намалява риска от възникване на токов удар.
- f) **Ако се налага използването на електроинструмента във влажна среда, използвайте предпазен прекъсвач за утечни токове**. Използването на предпазен прекъсвач за утечни токове намалява опасността от възникване на токов удар.
- 3) БЕЗОПАСЕН НАЧИН НА РАБОТА**
- a) **Бъдете концентрирани, следете внимателно действията си и постъпвайте предпазливо и разумно. Не използвайте електроинструмента, когато сте уморени или под влиянието на наркотични вещества, алкохол или упойващи лекарства**. Един миг разсеяност при работа с електроинструмент може да има за последствие изключително тежки наранявания.
- b) **Работете с предпазващо работно облекло и винаги с предпазни очила**. Носенето на подходящи за ползвания електроинструмент и извършваната дейност лични предпазни средства, като дихателна маска, здрави плътнотзатворени обувки със стабилен грайфер, защитна каска или шумозаглушители (антифони), намалява риска от възникване на трудова злополука.
- c) **Избягвайте опасността от включване на електроинструмента по невнимание. Преди да включите щепсела в захранващата мрежа или да поставите акумулаторната батерия, се уверявайте, че пусковият прекъсвач е в положение изключено**. Ако, когато носите електроинструмента, държите пръста си върху пусковия прекъсвач, или ако подавате захранващо напрежение на електроинструмента, когато е включен, съществува опасност от възникване на трудова злополука.
- d) **Преди да включите електроинструмента, се уверявайте, че сте отстранили от него всички помощни инструменти и гаечни ключове**. Помощен инструмент, забравен на въртящо се звено, може да причини травми.
- e) **Не надценявайте възможностите си. Работете в стабилно положение на тялото и във всеки момент поддържайте равновесие**. Така ще можете да контролирате електроинструмента по-добре и по-безопасно, ако възникне неочаквана ситуация.
- f) **Работете с подходящо облекло. Не работете с широки дрехи или украшения. Дръжте косата си, дрехите и ръкавици на безопасно разстояние от**
- въртящи се звена на електроинструментите**. Широките дрехи, украшенията, дългите коси могат да бъдат захванати и увлечени от въртящите се звена.
- g) **Ако е възможно използването на външна аспирационна система, се уверявайте, че тя е включена и функционира изправно**. Използването на аспирационна система намалява рисковете, дължащи се на отделящата се при работа прах.
- 4) ВНИМАТЕЛНО ОТНОШЕНИЕ КЪМ ЕЛЕКТРОИНСТРУМЕНТИ**
- a) **Не претоварвайте електроинструмента. Използвайте електроинструментите само съобразно тяхното предназначение**. Ще работите по-добре и по-безопасно, когато използвате подходящия електроинструмент в зададения от производителя диапазон на натоварване.
- b) **Не използвайте електроинструмент, чиито пусков прекъсвач е повреден**. Електроинструмент, който не може да бъде изключван и включван по предвидения от производителя начин, е опасен и трябва да бъде ремонтиран.
- c) **Преди да промените настройките на електроинструмента, да замените работни инструменти и допълнителни приспособления, както и когато продължително време няма да използвате електроинструмента, изключвайте щепсела от захранващата мрежа и/или изважвайте акумулаторната батерия**. Тази мярка премахва опасността от задействане на електроинструмента по невнимание.
- d) **Съхранявайте електроинструментите на места, където не могат да бъдат достигнати от деца. Не допускайте те да бъдат използвани от лица, които не са запознати с начина на работа с тях и не са прочели тези инструкции**. Когато са в ръцете на неопитни потребители, електроинструментите могат да бъдат изключително опасни.
- e) **Поддържайте електроинструментите си грижливо**. Проверявайте дали подвижните звена функционират безупорно, дали не заклинват, дали има счупени или повредени детайли, които нарушават или изменят функциите на електроинструмента. Преди да използвате електроинструмента, се погрижете повредените детайли да бъдат ремонтирани. Много от трудовете злополуки се дължат на недобре поддържани електроинструменти и уреди.
- f) **Поддържайте режещите инструменти винаги добре заточени и чисти**. Добре поддържаните режещи инструменти с остри ръбове оказват по-малко съпротивление и се водят по-леко.
- g) **Използвайте електроинструментите, допълнителните приспособления, работните инструменти и т.н., съобразно инструкциите на производителя. С дейности и процедури, евентуално предписани от различни нормативни документи**. Използването на електроинструменти за различни от предвидените от производителя приложения повишава опасността от възникване на трудови злополуки.

5) ПОДДЪРЖАНЕ

- a) **Допускайте ремонтът на електроинструментите Ви да се извършва само от квалифицирани специалисти и само с използването на оригинални резервни части.** По този начин се гарантира съхраняване на безопасността на електроинструмента.

УКАЗАНИЯ ЗА БЕЗОПАСНА РАБОТА ЗА ШЛИФОВЪЧНА МАШИНИ

- Избягвайте повреди, които могат да бъдат причинени от винтове, гвоздеи и други метални елементи в обработвания детайл; отстранете ги преди да започнете работа
- Винаги отведждайте захранващият кабел далеч от движещите се звена на електроинструмента; прехвърлете кабела отзад, далеч от електроинструмента
- **Обезопасете работния материал** (материал, затегнат в затягащ инструмент или в менгеме е по-устойчив, отколкото ако се държи в ръка)
- Преди да приберете инструмента, изключете мотора и се уверете, че всички движещи се части са преустановили движението
- Използвайте напълно развити и безопасени разклонители с капацитет 16 A
- В случай на електрическа или механична неизправност, изключете незабавно апарата и прекъснете контакта с електрическата мрежа
- SKIL може да осигури безаварийна работа на електроинструмента само ако се използват оригинални допълнителни приспособления
- Машината не трябва да се използва от лица под 16 години
- При работа нивото на шума може да надвиши 85 dB(A); носете анттифони
- **Дръжте инструмента за изолираните повърхности на ръкохватката, понеже лентата може да опре в неговия захранващ кабел** (прерязването на "фазовия" кабел може да доведе до наличие на напрежение на откритите метални части на инструмента и да причини удар от електрически ток на оператора)
- Ако кабелът се повреди или среже по време на работа, не го докосвайте, веднага изключете щепсела, никога не използвайте инструмента с повреден кабел
- Не използвайте инструмента, когато е повреден шнурът; замената му следва да се извърши от квалифицирано лице
- Преди включване на инструмента в контакта се уверете, че мрежовото напрежение отговаря на напрежението, обозначено на фирмената табелка на инструмента (инструменти с номинално напрежение 230V или 240V могат да бъдат включени и към захранване с напрежение 220V)
- Уредът не е подходящ за мокро шлифване
- **Не обработвайте азбестосъдържащ материал** (азбестът е канцерогенен)
- Прахът от някои материали, като например съдържаща олово боя, някои видове дървесина, минерали и метали може да бъде вреден (контакт или вдишване на такъв прах могат да причинят

алергични реакции и/или респираторни заболявания на оператора или стоящите наблизо лица);

използвайте противопрахова маска и работете с аспириращо прахта устройство, когато такова може да бъде свързано

- Определени видове прах са класифицирани като карциногенни (като прах от дъб и бук) особено когато са комбинирани с добавки за подобряване на състоянието на дървесината; **използвайте противопрахова маска и работете с аспириращо прахта устройство, когато такова може да бъде свързано**
- Следвайте дефинираните по БДС изисквания относно запрашеността за материалите, които желаете да обработвате
- При шлифване на метал се образуват искри; не използвайте торъчката за прах/колектор за прах/прахосмукачката и дръжте други лица и възпламеняващ се материал извън обсега на действие
- Не докосвайте шлифовъчната лента
- Не използвайте износени, разкъсани или силно замърсени шлифовъчни ленти
- Носете предпазни ръкавици, очила за безопасност, прилепващо по тялото облекло и вземете предпазни мерки за косата си (при дълга коса)
- **Преди извършването на навката и да било настройка или смяна на принадлежност винаги изваждайте щепсела от контакта на електрозахранването**

УПОТРЕБА

- Включване/изключване
 - включвайте/изключвайте апарата чрез натискане/отпускане на спусък A ②
 - ! **включете апарата преди да докосне работната повърхност**
 - ! **преди да изключите инструмента, трябва да я вдигнете от работната повърхност**
- Застопоряване на включващия спусък за непрекъсната работа
 - натиснете спусък A ②
 - натиснете бутон B ② с палеца
 - отпуснете спусъка
 - освободете механизма от застопорено положение като натиснете отново спусък A ② и го отпуснете
- Бързо сменяне на шлифовъчната лента (CLIC-система) ④
 - ! **изключете щепсела**
 - повдигнете лоста C
 - отстранете шлифовъчната лента
 - поставете нова лента като стрелката, отпечатана на вътрешната страна на лентата трябва да показва същата посока на стрелка D, намираща се върху апарата
 - затворете лоста
 - ! **сменяйте своевременно шлифовъчните ленти**
 - ! **не сгъвайте никога шлифовъчните ленти**
- Автоматично центриране на лентата (ABC)
 - центрира лентата автоматично при включване на апарата
 - поддържа лентата центрирана по време на шлифването

В случай, че лентата излезе от апарата (в повечето случаи в резултат на употреба на ниско-качество лента), предприемете следното:

- включете инструмента
 - регулирайте с винт Е ② шлифовъчната лента докато тя прилегне на плоската страна на апарата
 - сменете лентата с нова, ако продължава да излиза от апарата
 - Изсмукване на праха ⑤
 - изпразвайте колектор G/торбичката F редовно за оптимален резултат при прахоизсмукването
 - при използване на прахосмукачка, монтирайте адаптора за прахосмукачката H, както е показано (1215)
 - когато е необходимо, почистете филтъра, както е показано
- ! не използвайте колектор за прах/торбичката за прах/прахосмукачка при шлифване на метал**
- Държане и насочване на инструмента ⑥
 - движете апарата успоредно на работната повърхност
- ! по време на работа, винаги дръжте уреда за оцветената(ите) в сиво зона(и) за хващане**
- ! не упражнявайте особен натиск върху апарата; оставете шлифовъчната повърхност сама да върши работа**
- не повдигайте апарата за да предотвратите нежелателни следи по работната повърхност
 - оставете вентилационните отвори J ② непокрити

УКАЗАНИЯ ЗА РАБОТА

- При шлифване на голи дървени повърхности движете апарата с надлъжни движения по посока на нерва на дървото
 - При шлифване на всички други повърхности, извършвайте кръгови движения с апарата върху материала
 - Монтирайте шлифовъчната рамка K (аксесоар SKIL 2610398244), за да подравните повърхнините без драскотини или вдлъбнатини, и се уверете, че е поставен добре на място ⑦
- ! по време на шлифовъчната рамка се загрива; не я докосвайте докато не изстине напълно**
- Не използвайте никога една и съща шлифовъчна лента за дърво и метал
 - Препоръчва се шлифовъчна хартия със следната зърнистост:
 - едра- за отстраняване на боя;за шлифване на много грубо дърво
 - средна- за шлифване на грубо и гладко дърво
 - фина- за полиране на дърво;за окончателно изглаждане на голо дърво;за полиране на повърхности със стара боя
 - Използвайте при грапава повърхност различна зърнистост на шлифовъчната хартия
 - започнете с едра и средна зърнистост
 - завършете политурата с фина зърнистост
 - За повече полезни указания вж. www.skil.com

ПОДДРЪЖКА / СЕРВИЗ

- Този инструмент не е предназначен за професионална употреба
 - Поддържайте винаги електроинструмента и захранващия кабел чисти (особено вентилационните отвори J ②)
 - почиствайте полепил се срутков прах с четка
- ! преди почистване изключете щепсела**
- Ако въпреки прецизното производство и внимателно изпитване възникне повреда, инструмента да се занесе за ремонт в оторизиран сервиз за електроинструменти на SKIL
 - занесете инструмента в неразглобен вид заедно с доказателство за покупката му в търговския обект, откъдето сте го закупили, или в най-близкия сервиз на SKIL (адресите, както и схемата за сервизно обслужване на електроинструмента, можете да намерите на адрес www.skil.com)

ОПАЗВАНЕ НА ОКОЛНАТА СРЕДА

- Не изхвърляйте електроуредите, приспособленията и опаковките заедно с битови отпадъци (само за страни от ЕС)
 - съобразно Директивата на ЕС 2012/19/EG относно износени електрически и електронни уреди и отразяването ѝ в националното законодателство износените електроуреди следва да се събират отделно и да се предават за рециклиране според изискванията за опазване на околната среда
 - за това указва символът ⑧ тогава когато трябва да бъдат унищожени

ДЕКЛАРАЦИЯ ЗА СЪОТВЕТСТВИЕ СЕ

- С пълна отговорност ние декларираме, че описаният в "Технически данни" продукт съответства на следните стандарти или нормативни документи: EN 60745, EN 61000, EN 55014 съгласно изискванията на директиви 2004/108/EG, 2006/42/EG, 2011/65/EC
- **Подробни технически описания при:** SKIL Europe BV (PT-SEU/ENG1), 4825 BD Breda, NL

Marijn van der Hoofden
Operations & Engineering

Olaf Dijkstra
Approval Manager

SKIL Europe BV, 4825 BD Breda, NL

09.12.2013

ШУМ/ВИБРАЦИИ

- Измерено в съответствие с EN 60745 нивото на звуково налягане на този инструмент е 87 dB(A) а нивото на звукова мощност е 98 dB(A) (стандартно отклонение: 3 dB), а вибрациите са 2,1 m/c² (метод ръка-рамо; неопределеност K = 1,5 m/c²)

- Нивото на предадените вибрации е измерено в съответствие със стандартизирания тест, определен в EN 60745; то може да се използва за сравнение на един инструмент с друг и като предварителна оценка на подлагането на вибрации при използването на инструмента за посочените приложения
 - използването на инструмента за различни от тези приложения или с други, или лошо поддържани аксесоари може значително **да повиши** нивото на което сте подложени
 - периодите от време, когато инструмента е изключен или съответно включен, но с него не се работи в момента могат значително **да намалят** нивото на което сте подложени
- ! **предпазвайте се от ефектите от вибрациите, като поддържате инструмента и аксесоарите му, пазите ръцете си топли и организирате вашите модели на работа**

SK

Пасовá бруска 1210/1215

ÚVOD

- Tento nástroj je určený na brúsenie na sucho; nástroj má vysoký brúsny výkon a môžete ho použiť na brúsenie dreva, plastu, kovu, tmelov a lakovaných alebo farbených povrchov
- Tento nástroj nie je vhodný pre profesionálne použitie
- Prečítajte a uschovajte tento návod na použitie ③

TECHNICKÉ ÚDAJE ①

ČASTI NÁSTROJA ②

- A Spínač zapnutie/vypnutie
- B Tlačidlo na zaistenie vypínača
- C Páčka na výmenu brúsneho pásu
- D Šípka
- E Skrutka na centrovanie brúsneho pásu
- F Prachové vrecko
- G Prachová schránka
- H Adaptér na vysávač
- J Vetracie štrbiny
- K Brúsny rám

BEZPEČNOSŤ

VŠEOBECNÉ BEZPEČNOSTNÉ POKYNY

⚠ POZOR! Prečítajte si všetky výstražné upozornenia a bezpečnostné pokyny. Zanedbanie dodržiavania výstražných upozornení a pokynov uvedených v nasledujúcom texte môže mať za následok zásah elektrickým prúdom, spôsobiť požiar a/alebo ťažké poranenie. **Tieto výstražné upozornenia a bezpečnostné pokyny starostlivo uschovajte na budúce použitie.** Pojem ručné "elektrické náradie" používaný v nasledujúcom texte sa vzťahuje na ručné elektrické náradie napájané zo siete (s prírodnou šnúrou) a na ručné elektrické náradie napájané akumulátorovou batériou (bez prírodnej šnúry).

1) BEZPEČNOSŤ NA PRACOVISKU

- Udržiavajte svoje pracovisko čisté a upratané.** Neporiadok na pracovisku alebo neosvetlené časti pracoviska môžu viesť k úrazom.
- Nepracujte elektrickým náradím v prostredí ohrozenom výbuchom, v ktorom sa nachádzajú horľavé kvapaliny, plyny alebo prach.** Elektrické náradie produkuje iskry, ktoré môžu prach alebo pary zapáliť.
- Deti a iné osoby udržiavajte počas práce od ručného elektrického náradia v dostatočnej vzdialenosti.** V prípade odpútania Vašej pozornosti by ste mohli stratiť kontrolu nad náradím.

2) ELEKTRICKÁ BEZPEČNOSŤ

- Zástrčka prírodnej šnúry sa musí hodiť do napájacej zásuvky. Zástrčka sa v žiadnom prípade nesmie meniť. Pri uzemnených spotrebičoch nepoužívajte spolu s nimi žiadne adaptéry.** Nezmenená zástrčka a vhodná zásuvka znižujú riziko zásahu elektrickým prúdom.
- Vyhýbajte sa telesnému kontaktu s povrchovými plochami uzemnených spotrebičov, ako sú elektrické rúry, vyhrievacie telesá, sporáky a chladničky.** Keď je Vaše telo uzemnené, riziko zásahu elektrickým prúdom je vyššie.
- Chráňte ručné elektrické náradie pred dažďom a vlhkom.** Vniknutie vody do ručného elektrického náradia zvyšuje riziko zásahu elektrickým prúdom.
- Nepoužívajte prírodnú šnúru na prenášanie náradia, na jeho vešanie, ani za ňu nevyťahujte zástrčku zo zásuvky. Prírodnú šnúru chráňte pred horúčavou, olejom, ostrými hranami alebo pohybujúcimi sa časťami náradia.** Poškodené alebo zauzlené šnúry zvyšujú riziko zásahu elektrickým prúdom.
- Ak pracujete s ručným elektrickým náradím vonku, používajte len také predlžovacie šnúry, ktoré sú schválené pre používanie vo vonkajších priestoroch.** Používanie predlžovacej šnúry určenej do vonkajšieho prostredia znižuje riziko zásahu elektrickým prúdom.
- Ak sa nedá vyhnúť použitiu ručného elektrického náradia vo vlhkom prostredí, použite prerušovač uzemňovacieho obvodu.** Používanie prerušovača uzemňovacieho obvodu znižuje riziko zásahu elektrickým prúdom.

3) BEZPEČNOSŤ OSÔB

- Buďte pozorní, dávajte pozor na to, čo robíte a k práci s elektrickým náradím pristupujte rozumne.** Nepoužívajte elektrické náradie, keď ste unavení alebo keď ste pod vplyvom drog, alkoholu alebo liekov. Chvíľa nepozornosti pri používaní náradia môže viesť k vážnym poraniam.
- Noste osobné ochranné pomôcky, ochranný odev a vždy majte nasadené ochranné okuliare.** Nosenie pracovného odevu a používanie ochranných pomôcok ako ochrannej dýchacej masky, bezpečnostných protišmykových topánok, prilby alebo chrániča sluchu, podľa druhu elektrického náradia, znižuje riziko poranenia.
- Vyhýbajte sa neúmyselnému uvedeniu ručného elektrického náradia do činnosti. Pred zasunutím**

zástrčky do zásuvky a/alebo pred pripojením akumulátora, pred chytením alebo prenášaním ručného elektrického náradia sa vždy presvedčte sa, či je ručné elektrické náradie vypnuté. Ak budete mať pri prenášaní ručného elektrického náradia prst na vypínači, alebo ak ručné elektrické náradie pripojíte na elektrickú sieť zapnuté, môže to mať za následok nehodu.

d) **Skôr ako ručné elektrické náradie zapnete, odstráňte nastavovacie a montážne nástroje.** Nástroj alebo kľúč, ktorý sa nachádza v pohyblivej časti náradia, môže spôsobiť poranenie.

e) **Neprečenujte sa. Zabezpečte si pevný postoj a neprestajne udržiavajte rovnováhu.** Takto budete mať ručné elektrické náradie v neočakávaných situáciách lepšie kontrolovať.

f) **Pri práci noste vhodný pracovný odev. Nenoste široké odevy a nemajte na sebe šperky. Dbajte na to, aby ste mali vlasy, odev a rukavice v dostatočnej vzdialenosti od pohybujúcich sa častí náradia.** Pohybujúce sa časti náradia by mohli zachytiť voľné oblečenie, šperky alebo dlhé vlasy.

g) **Ak možno namontovať zariadenie na odsávanie alebo zachytávanie prachu, presvedčte sa, či je pripojené a správne používané.** Používanie odsávacieho zariadenia a zariadenia na zachytávanie prachu znižuje riziko ohrozenia zdravia prachom.

4) STAROSTLIVÉ ZAOBCHÁDZANIE S ELEKTRICKÝM NÁRADÍM A JEHO POUŽÍVANIE

a) **Náradie nepreťažujte. Pre svoju prácu používajte určené elektrické náradie.** Pomocou vhodného ručného elektrického náradia budete mať v uvedenom rozsahu výkonu pracovať lepšie a bezpečnejšie.

b) **Nepoužívajte žiadne ručné elektrické náradie, ktoré má pokazený vypínač.** Ručné elektrické náradie, ktoré sa už nedá zapínať alebo vypínať, je nebezpečné a treba ho dať opraviť.

c) **Skôr ako začnete náradie nastavovať alebo prestavovať, vymieňať príslušenstvo alebo skôr, ako odložíte náradie, vždy vyťahnite zástrčku sieťovej šnúry zo zásuvky.** Toto bezpečnostné opatrenie zabraňuje neúmyselnému spusteniu náradia.

d) **Nepoužívané ručné elektrické náradie uschovávajte mimo dosahu detí. Nedopusťte, aby ručné elektrické náradie používali osoby, ktoré s ním nie sú dôkladne oboznámené, alebo ktoré si neprečítali tento Návod na používanie.** Ak ručné elektrické náradie používajú neskúsené osoby, stáva sa nebezpečným nástrojom.

e) **Elektrické náradie starostlivo ošetríte. Skontrolujte, či pohyblivé súčiastky náradia bezchybne fungujú a neblokujú a či nie sú zlomené alebo poškodené niektoré súčiastky, ktoré by mohli negatívne ovplyvniť fungovanie ručného elektrického náradia. Pred použitím ručného elektrického náradia dajte poškodené súčiastky opraviť.** Nejedny úraz bol spôsobený zle udržiavaným náradím.

f) **Používané nástroje udržiavajte ostré a čisté.** Starostlivo ošetrované nástroje s ostrými reznými hranami sa menej často zablokujú a ich vedenie je podstatne ľahšie.

g) **Používajte ručné elektrické náradie, príslušenstvo, pracovné nástroje a pod. podľa týchto pokynov. Zohľadnite pritom konkrétne pracovné podmienky a činnosť, ktorú máte vykonať.** Používanie ručného elektrického náradia na iné ako určené účely môže viesť k nebezpečným situáciám.

5) SERVIS

a) **Ručné elektrické náradie zverte do opravy len kvalifikovanému personálu a používajte len originálne náhradné súčiastky.** Tým sa zabezpečí zachovanie bezpečnosti ručného elektrického náradia.

BEZPEČNOSTNÉ POKYNY PRE BRÚSKY

- Zabráňte poškodeniu náradia skrutkami, klincami a inými kovovými predmetmi v obrobku; zoberte ich dole prv než začnete pracovať
- Elektrickú šnúru udržiajte vždy mimo pohybujúcich sa častí nástroja; elektrickú šnúru vždy smerujte dozadu, mimo nástroja
- **Zaistite obrábaný diel** (obrábaný diel uchytýny pomocou upínacích zariadení alebo vo zveráku je oveľa bezpečnejší kým v ruke)
- Skôr než nástroj položíte, presvedčte sa že je motor vypnutý a že sú všetky pohyblivé súčiastky zastavené
- Používajte úplne odmotanú a bezpečnú predlžovaciu šnúru s kapacitou 16 A
- V prípade elektrickej alebo mechanickej poruchy zastavte okamžite nástroj a vyťahnite zástrčku z nástennej zásuvky
- SKIL zabezpečí hladký chod nástroja len ak sa používa pôvodné príslušenstvo
- Tento nástroj by nemali používať osoby mladšie ako 16 rokov
- Hlasitosť zapnutého prístroja môže byť viac aké 85 dB(A); chráňte si uši ochrannými krycimi prostriedkami
- **Elektrické náradie držte za izolované plochy rúkaví, pretože nástroj by sa mohol dotknúť vlastnej prírodnej šnúry** (kontakt s vedením, ktoré je pod napätím, spôsobí, že aj kovové súčiastky náradia sa dostanú pod napätie, čo môže spôsobiť zásah operátora elektrickým prúdom)
- Ak je sieťová šnúra poškodená alebo ak sa prereže počas prevádzky, nedotýkajte sa jej ale ju ihneď odpojte z hlavnej elektrickej siete
- Nikdy nepoužívajte nástroj ak je šnúra poškodená; šnúru musí vymeniť kvalifikovaná osoba
- Vždy skontrolujte či je napájacie napätie rovnaké ako napätie uvedené na štítku nástroja (nástroj s menovitým napätím 230V alebo 240V môžete pripojiť aj do siete s napätím 220V)
- Tento nástroj sa nehodí na brúsenie vlhkého povrchu
- **Neobrábajte materiál, ktorý obsahuje azbest** (azbest sa považuje za rakovinotvorný materiál)
- Prach z materiálu, akým je náter obsahujúci olovo, niektoré druhy dreva, minerály a kovy môže byť škodlivý (styk alebo nadýchanie prachu môže spôsobiť alergické reakcie a/alebo respiračné ochorenia obsluhy a okolostojacich osôb); **používajte ochrannú masku tváre a pracujte so zariadením na odsávanie prachu, ak je takéto zariadenie možné pripojiť**

- Určité druhy prachu sú klasifikované ako karcinogénne (akým dubový a bukový prach), a to hlavne v spojení s prísadami pre úpravu dreva; **používajte ochrannú masku tváre a pracujte so zariadením na odsávanie prachu, ak je takéto zariadenie možné pripojiť**
- Dodržujte stanovené nariadenia pre prácu v prašnom prostredí
- Pri brúsení sa tvoria iskry; nepoužívajte vrečko na prach/ prachová schránka/vysávač a dbajte na to, aby sa v pracovnom priestore nezdržovala iná osoba a nebol horľavý materiál
- Nedotýkajte sa pohybujúceho sa brúsneho pásu
- Opatrovaný, natrhnutý alebo zanesený brúsny pás ihneď vymeňte
- Používajte ochranné rukavice, ochranné okuliare, priliehavý oblek a v prípade dlhých vlasov aj pokrývku hlavy
- **Pri nastavovaní alebo výmene príslušenstva vždy vytiahnite privodný kábel zo zásuvky**

POUŽITIE

- Vypínač zapnutie/vypnutie
 - nástroj zapnite/vypnite stlačením/uvoľnením vypínača A ②
 - ! **nástroj je treba zapnúť predtým než sa dotkne povrchu brúseného kusu**
 - ! **pred vypnutím nástroja by ste ho mali zdvihnúť z miesta obrábania**
- Aretácia vypínača pri nepretržitom používaní
 - stlačte vypínač A ②
 - palcom stlačte tlačidlo B ②
 - uvoľnite vypínač
 - zaistenie uvoľnite opätovným stlačením vypínača A ② a jeho uvoľnením
- Rýchla výmena brúsneho pásu (systém CLIC) ④
 - ! **odpojte zástrčku**
 - uvoľnite poistku C
 - odstráňte brúsny pás
 - vložte nový brúsny pás tak, aby šípky na jeho vnútornej strane smerovali rovnako ako šípka D na nástroje
 - zatlačte poistku naspäť
 - ! **brúsny pás priebežne vymieňajte**
 - ! **brúsny pás nikdy neskladajte**
- Automatické centrovanie brúsneho pásu (ABC)
 - pri zapnutí nástroja sa brúsny pás automaticky vycentruje
 - počas brúsenia udržuje brúsny pás vycentrovaný
 Ak sa brúsny pás uvoľní z nástroja (väčšinou kvôli nízkej kvalite pásu):
 - nástroj zapnite
 - nastavte skrutku E ② tak, aby bol brúsny pás umiestnený súbežne s plochou stranou nástroja
 - ak sa brúsny pás neustále uvoľňuje z nástroja, použite nový brúsny pás
- Odsávanie prachu ⑤
 - vyprázdňte schránka G/vrečko F pravidelne aby sa čo najviac zvýšil výkon sania prachu
 - keď používate nástroj s vysávačom, namontujte adaptér H vysávača podľa obrázku (1215)
 - ak je to potrebné, vyčistíte aj filter, podľa obrázku
 - ! **nepoužívajte prachová schránka/prachové vrečko/vysávač keď brúsíte kov**

- Držanie a vedenie nástroja ⑥
 - nástrojom pohybujte rovnoobežne s pracovným kusom
 - ! **počas práce vždy držte nástroj v oblasti sivého držadla (iel)**
 - ! **pri práci netlačte príliš silno na nástroj, nechajte ho voľne pohybovať po brúsenom kuse**
 - nástroj sa nemá klopať lebo týmto dôjde k tvorbe rýh na brúsenej ploche
 - vetracie štrbiny J ② udržujte nezakryté

RADU NA POUŽITIE

- Pri brúsení čistých drevených povrchov pohybujte nástrojom rovnými ťahmi v smere zrna
- Pri brúsení všetkých ostatných povrchov pohybujte nástrojom krúživými ťahmi
- Ak nechcete na brúsenom povrchu spôsobiť škrabance alebo rýhy, použite brúsny rám K (príslušenstvo SKIL 2610398244), a skontrolujte, či drží pevne na svojom mieste ⑦
 - ! **počas práce je brúsny rám K veľmi horúci; nedotýkajte sa ho, až kým nevychladne**
- Nikdy nepoužívajte rovnaký brúsny pás na brúsenie dreva a kovu
- Odporúčaná zrnitosť brúsneho papiera:

hrubý-	k odstráneniu farby;k brúseniu vyjímočne hrubého dreva
stredný-	k brúseniu hrubého alebo hladkého dreva
jemný-	k vyhladeniu dreveného povrchu;konečná úprava hladkého dreveného povrchu;k vyhladeniu starých farbených povrchov
- K úprave hrubých povrchov používajte brúsne pásy s rôznou zrnou veľkosťou
 - najprv použijte hrubozrný alebo strednozrný pás
 - k dokončeniu slúži jemnozrný pás
- Viac rád nájdete na www.skil.com


ÚDRŽBA / SERVIS

- Tento nástroj nie je vhodný pre profesionálne použitie
- Nástroj a sieťovú šnúru udržujte stále čisté (zvlášť vetracie štrbiny J ②)
 - pomocou kefky odstráňte nalepený brúsny prach
 - ! **pred čistením odpojte z elektrickej siete**
- Ak by nástroj napriek starostlivej výrobe a kontrole predsa len prestal niekedy fungovať, treba dať opravu vykonať autorizovanej servisnej opravovni elektrického náradia SKIL
 - pošlite nástroj **bez rozmontovania** spolu s dôkazom o kúpe; vášmu dilerovi alebo do najbližšieho servisného strediska SKIL (zoznam adries servisných stredísk a servisný diagram nástroja sú uvedené na www.skil.com)

ŽIVOTNÉ PROSTREDIE

- **Elektrické náradie, príslušenstvo a balenia nevyhadzujte do komunálneho odpadu** (len pre štáty EÚ)
 - podľa európskej smernice 2012/19/EG o nakladaní s použitými elektrickými a elektronickými zariadeniami a zodpovedajúcich ustanovení právnych predpisov jednotlivých krajín sa použité elektrické náradie musí

zbierať oddelene od ostatného odpadu a podrobiť ekologicky šetrnej recyklácii

- pripomenie vám to symbol , keď ju bude treba likvidovať

VYHLÁSENIE O ZHODE

- Na vlastnú zodpovednosť vyhlasujeme, že dole popísaný výrobok "Technické údaje" sa zhoduje s nasledujúcimi normami alebo normatívnymi dokumentami: EN 60745, EN 61000, EN 55014 podľa ustanovení smerníc 2004/108/EG, 2006/42/EG, 2011/65/EU
- **Súbor technickej dokumentácie sa nachádzajú na adrese:** SKIL Europe BV (PT-SEU/ENG1), 4825 BD Breda, NL

Marijn van der Hoofden
Operations & Engineering

Olaf Dijkgraaf
Approval Manager

SKIL Europe BV, 4825 BD Breda, NL

09.12.2013

HLUKU/VIBRÁCIÁCH

- Merané podľa EN 60745 je úroveň akustického tlaku tohto nástroja 87 dB(A) a úroveň akustického výkonu je 98 dB(A) (štandardná odchýlka: 3 dB), a vibrácie sú 2,1 m/s² (metóda ruka - paža; nepresnosť K = 1,5 m/s²)
- Hladina emisií od vibrácií bola nameraná v súlade s normalizovaným testom uvedeným v norme EN 60745; môže sa používať na vzájomné porovnávanie náradí a na predbežné posúdenie vystavenia účinkom vibrácií pri používaní náradia pre uvedené aplikácie
- používanie náradia na rôzne aplikácie, alebo v spojení s rôznymi alebo nedostatočne udržiavanými doplnkami môže značne **zvýšiť** úroveň vystavenia
- časové doby počas ktorých je je náradie vypnuté alebo počas ktorých náradie beží ale v skutočnosti nevykonáva prácu môžu značne **znižiť** úroveň vystavenia


! chráňte sa pred účinkami vibrácií tak, že budete náradie a jeho príslušenstvo správne udržiavať, tak že nebudete pracovať so studenými rukami a tak že si svoje pracovné postupy správne zorganizujete

HR

Tračna brusilica

1210/1215

UVOD

- Ovaj je uređaj predviđen suhom brušenju i posjeduje veliku mogućnost uklanjanja drveta, plastike, metala te kitanih i obojanih površina
- Ovaj uređaj nije namijenjen profesionalnoj upotrebi
- Pažljivo pročitajte i sačuvajte ove upute za rukovanje 


TEHNIČKI PODACI

DIJELOVI ALATA

- A Prekidač uključeno/isključeno
- B Gumb za zaključavanje prekidača za uključivanje/isključivanje
- C Ručica za zamjenu brusne trake
- D Strelica
- E Vijak za centriranje trake
- F Vrećica za prašinu
- G Dodatak za prašinu
- H Priključak usisavača prašine
- J Otvori za strujanje zraka
- K Brusni okvir

SIGURNOST

OPĆE UPUTE ZA SIGURAN RAD

 PAŽNJA! Treba pročitati sve napomene o sigurnosti i upute. Ako se ne bi poštivale napomene o sigurnosti i upute to bi moglo uzrokovati strujni udar, požar i/ili teške ozljede. **Sačuvajte sve napomene o sigurnosti i upute za buduću primjenu.** U daljnjem tekstu korišten pojam "električni alat" odnosi se na električne alate s priključkom na električnu mrežu (s mrežnim kabelom) i na električne alate s napajanjem iz aku baterije (bez mrežnog kabela).

1) SIGURNOST NA RADNOM MJESTU

- a) **Vaše radno područje održavajte čisto i uredno.** Nered ili neosvijetljeno radno područje mogu doći do nezgoda.
- b) **S uređajem ne radite u okolini ugroženoj eksplozijom, u kojoj se nalaze zapaljive tekućine, plinovi ili prašina.** Električni alati proizvode iskre koje mogu zapaliti prašinu ili pare.
- c) **Djecu i ostale osobe držite dalje tijekom korištenja električnog alata.** Ako bi skrenuli pozornost sa posla mogli bi izgubiti kontrolu nad uređajem.

2) ELEKTRIČNA SIGURNOST

- a) **Priključni utikač uređaja treba odgovarati utičnici.** Na utikaču se ni u kojem slučaju ne smiju izvoditi izmjene. Ne koristite adapterske utikače zajedno sa uređajima koji su zaštićeni uzemljenjem. Originalni utikač i odgovarajuće utičnice smanjuju opasnost od električnog udara.
- b) **Izbjegavajte dodir tijela s uzemljenim površinama kao što su cijevi, centralno grijanje, štednjaci i hladnjaci.** Postoji povećana opasnost od električnog udara ako je vaše tijelo uzemljeno.
- c) **Držite uređaj dalje od kiše ili vlage.** Prodiranje vode u električni uređaj povećava opasnost od električnog udara.
- d) **Priključni kabel ne koristite za nošenje, vješanje ili za izvlačenje utikača iz utičnice.** Držite kabel dalje od izvora topline, ulja, oštih rubova ili pomičnih dijelova uređaja. Oštećen ili usukan kabel povećava opasnost od električnog udara.
- e) **Ako s električnim uređajem radite na otvorenom, koristite samo produžni kabel odobren za uporabu na otvorenom.** Primjena produžnog kabela prikladnog za uporabu na otvorenom smanjuje opasnost od električnog udara.

- f) **Ako se ne može izbjeći uporaba električnog alata u vlažnoj okolini, upotrijebite sigurnosna sklopka za propuštanje u zemlju.** Upotrebom sigurnosne sklopke za propuštanje u zemlju smanjuje se opasnost od električnog udara.

3) SIGURNOST LJUDI

- a) **Budite oprezni, pazite što činite i postupajte razumno kod rada s električnim alatom. Ne koristite uređaj ako ste umorni ili pod utjecajem opojnih sredstava, alkohola ili lijekova.** Trenutak nepažnje kod uporabe uređaja može doći do ozbiljnih ozljeda.

- b) **Nosite sredstva osobne zaštite i uvijek zaštitne naočale.** Nošenje sredstava osobne zaštite, kao što je zaštitna maska, sigurnosne cipele koje ne klize, zaštitne kacige ili štitnika za sluh, ovisno od vrste i primjene električnog alata, smanjuje opasnost od nezgoda.

- c) **Izbjegavajte nehotično puštanje u rad. Prije nego što ćete utaknuti utikač u utičnicu i/ili staviti aku-bateriju, provjerite je li električni alat isključen.** Ako kod nošenja električnog alata imate prst na prekidaču ili se uključen uređaj priključi na električno napajanje, to može dovesti do nezgoda.

- d) **Prije nego što uređaj uključite, uklonite alate za podešavanje ili vijčane ključeve.** Alat ili ključ koji se nalazi u rotirajućem dijelu uređaja može doći do nezgoda.

- e) **Ne precjenjujte svoje sposobnosti. Zauzмите siguran i stabilan položaj tijela i držite u svakom trenutku ravnotežu.** Na taj način možete uređaj bolje kontrolirati u neočekivanim situacijama.

- f) **Nosite prikladnu odjeću. Ne nosite široku odjeću ili nakit. Neka vaša kosa, odjeća i rukavice budu što dalje od pomičnih dijelova.** Mlohavu odjeću, nakit ili dugu kosu mogu zahvatiti pomični dijelovi uređaja.

- g) **Ako se mogu montirati naprave za usisavanje i hvatanje prašine, provjerite da li su iste priključene i da li se pravilno koriste.** Primjena naprave za usisavanje može smanjiti ugroženost od prašine.

4) BRIŽLJIVA UPORABA ELEKTRIČNIH ALATA

- a) **Ne preopterećujte uređaj. Koristite za vaše radove za to predviđen električni alat.** S odgovarajućim električnim alatom radit ćete bolje i sigurnije, u navedenom području učinka.

- b) **Ne koristite električni alat čiji je prekidač neispravan.** Električni alat koji se više ne može uključiti ili isključiti, opasan je i treba se popraviti.

- c) **Izvučite utikač iz mrežne utičnice i/ili izvadite aku-bateriju prije podešavanja uređaja, zamjene pribora ili odlaganja uređaja.** Ovim mjerama opreza spriječit će se nehotično pokretanje uređaja.

- d) **Nekorištene električne alate spremite izvan doseg djece. Ne dopustite da uređaj koriste osobe koje s njim nisu upoznate ili koje nisu pročitale upute za uporabu.** Električni alati su opasni ako ih koriste neiskusne osobe.

- e) **Uređaj održavajte s pažnjom. Kontrolirajte da li pomični dijelovi uređaja besprijekorno rade i da nisu zaglavljani, te da li su dijelovi polomljeni ili tako oštećeni da negativno djeluju na funkciju uređaja. Popravite oštećene dijelove prije uporabe uređaja.** Mnoge nezgode imaju svoj uzrok u loše održanim uređajima.

- f) **Rezne alate održavajte oštrim i čistim.** Pažljivo održavani rezni alati s oštrim oštricama neće se zaglaviti i lakši su za vođenje.

- g) **Koristite električne alate, pribor, radne alate, itd., prema navedenim uputama. Pri tome uzmite u obzir radne uvjete i radove koje se izvode.** Uporaba električnih alata za neke druge primjene različite od predviđenih, može doći do opasnih situacija.

5) SERVIS

- a) **Popravak uređaja prepustite samo kvalificiranom stručnom osoblju i samo s originalnim rezervnim dijelovima.** Na taj će se način postići održanje stalne sigurnosti uređaja.

UPUTE ZA SIGURAN RAD S BRUSILICAMA

- Izbjegavajte oštećenja od vijaka, čavala i laničnih predmeta na vašem izratku; prije početka rada ih izvadite
- Kabel uvijek držati dalje od rotirajućih dijelova uređaja; kabel povlačiti iza uređaja
- **Osigurajte izradak** (izradak je sigurnije pričvršćen pomoću stezaljke ili škripa nego da ga držite rukom)
- Čim se odmaknete od alata trebate ga isključiti, a pomični se dijelovi trebaju potpuno zaustaviti
- Upotreblijavajte samo neodmotane i zaštićene produžne kabele kapaciteta 16 ampera
- U slučaju neobičajenog ponašanja uređaja ili neobičnih šumova, uređaj treba odmah isključiti i izvući utikač iz mrežne utičnice
- SKIL može osigurati besprijekoran rad uređaja samo ako se koristi originalni pribor
- Uređaj ne bi smjele koristiti osobe mlađe od 16 godina
- Razina buke kod rada može premašiti 85 dB(A); nositi štitnike za sluh
- **Uređaj držite samo na izoliranim ručkama jer remen može doći u dodir s vlastitim kablom** (rezanje vodova pod naponom stavljaju metalne dijelove električnog alata pod napon, što bi dovelo do električnog udara)
- Ako se tijekom rada priključni kabel ošteti ili odreže, ne dirati priključni kabel, nego odmah izvući mrežni utikač
- Nikad ne upotreblijavajte alat kad su kabel oštećeni; neka iz zamijeni kvalificirana osoba
- Uvijek provjerite je li napon napajanja isti kao onaj naveden na tipskoj pločici uređaja (uređaji označeni s 230V ili 240V mogu raditi i na 220V)
- Ovaj je uređaj nije prikladan za mokro brušenje
- **Ne obrađujte materijal koji sadrži azbest** (azbest se smatra kancerogenim)
- Prašina od materijala kao što su boje koje sadrže olovo, neke vrste drveća, minerali i metal mogu biti opasne (dodir s prašinom ili njeno udisanje mogu prouzročiti alergične reakcije i/ili respiratorna oboljenja rukovatelja ili posmatrača); **nosite masku za zaštitu od prašine i radite s uređajem za ekstrakciju prašine ukoliko ga možete priključiti**
- Određene vrste prašine klasificiraju se kao karcinogenske (kao što su prašina hrastovine i bukovine), osobito u sudejstvu s aditivima za kondicioniranje drveta; **nosite masku za zaštitu od prašine i radite s uređajem za ekstrakciju prašine ukoliko ga možete priključiti**
- Nacionalni uvjeti za materijale s kojima želite raditi

- Kod brušenja metala dolazi do iskrenja; ne koristite vrećicu za prašinu/dodatak za prašinu/usisavač prašine, a ostale osobe kao i zapaljive materijale držite dalje od radnog područja
- Ne dodirujte brusnu traku tijekom rada
- Ne koristite istrošene, oštećene ili jako zapunjene brusne trake
- Nosite zaštitne rukavice, zaštitne naočale, tijesno pripijenu odjeću i mrežicu za kosu (ako nosite dugu kosu)
- **Prije svih radova održavanja, podešavanja ili izmjene alata i pribora treba izvući utikač iz mrežne utičnice**

POSLUŽIVANJE

- Prekidač za uključivanje/isključivanje
 - uređaj uključite/isključite povlačenjem/optuštanjem prekidača A ②
 - ! **prije nego što brusna površina trake dodirne izradak, uređaj se treba prvo uključiti**
 - ! **prije isključivanja alata, isti se treba skinuti sa izratka**
- Aretiranje prekidača za stalni rad
 - povucite prekidač A ②
 - palcem pritisnite gumb B ②
 - otpustite prekidač
 - prekidač otključajte tako da prekidač A ② ponovo povučete, a zatim otpustite
- Brza zamjena brusnih traka (CLIC sustav) ④
 - ! **izvući mrežni utikač**
 - podignite ručicu C
 - uklonite brusnu traku
 - novu traku umetnite tako da su strelice s unutarnje strane trake okrenute u smjeru strelice D prikazane na uređaju
 - ručicu gurnite natrag
 - ! **brusne trake mijenjajte pravodobno**
 - ! **ne savijajte brusne trake**
- Automatsko centriranje brusne trake (ABC)
 - pri uključivanju uređaja automatski centriraju traku
 - pazite da brusne trake tijekom brušenja budu centrirane

Kada se traka skida sa uređaja, treba se

 - uključite uređaj
 - prilagodite vijak E ② tako da se brusna traka nalazi u ravnini s ravnom površinom uređaja
 - ako brusna traka i dalje spada s uređaja, zamijenite je novom
- Usisavanje prašine ⑤
 - redovito prazniti dodatak G/vrećicu F jamči se optimalno usisavanje prašine
 - kod uporabe uređaja sa usisavača prašine, priključak usisavača prašine H montirati kako je prikazano (1215)
 - u slučaju potrebe očistite filter, kao na ilustraciji
 - ! **dodatak za prašinu/vrećicu za prašinu/usisavač ne koristiti kod brušenja metala**
- Držanje i vođenje uređaja ⑥
 - držite vaš uređaj paralelno s obrađivanom površinom
 - ! **alat kod primjene, držati samo na sivo označenim područjima**
 - ! **kod obrade površine ne djelovati prevelikom pritiskom na uređaj**

- ne nagibajte uređaj, na taj će se način izbjeći neželjeni tragovi brušenja
- otvore za strujanje zraka J ② držite nepokriveno

SAVJETI ZA PRIMJENU

- Pri brušenju neobrađenih drvenih površina uređaj pomičite ravnim pokretima, prateći šare drveta
- Pri brušenju svih drugih površina uređaj preko materijala pomičite ovalnim pokretima
- Za izjednačavanje površina bez ogrebotina ili žlijebova ugradite okvir brusilice K (SKIL pribor 2610398244), i provjerite je li dobro namješten ⑦
- ! **okvir brusilice K se zagrije prilikom uporabe; ne dirati ga prije nego što se ohladi**
- Nikad ne koristite istu brusnu traku za obradu drveta i metala
- Preporučene granulacije brusne trake:

grubi-	za skidanje stare boje; za brušenje izuzetno hrapavog drva
srednji-	za brušenje sirovog drva
fini-	za glačanje drva; za brušenje neobrađenog drva; za glačanje površina sa starom bojom
- Ako je obrađivana površina hrapava, koristite različite veličine zrnitosti:
 - u početku brusite s grubom i srednjom zrnatošću
 - završite sa finom zrnatošću
- Dodatne savjete možete naći na adresi www.skil.com

ODRŽAVANJE / SERVISIRANJE

- Ovaj uređaj nije namijenjen profesionalnoj upotrebi
- Održavajte čistim uređaj i kabel (osobito otvore za hlađenje J ②)
 - nakupljenu prašinu od brušenja očistite četkom
 - ! **prije čišćenja treba izvući mrežni utikač**
- Ako bi uređaj unatoč brižljivih postupaka izrade i ispitivanja ipak prestao raditi, popravak treba prepustiti ovlaštenom servisu za SKIL električne alate
 - uređaj treba **nerastavljeno** predati, zajedno s računom o kupnji u najbližu SKIL ugovornu servisnu radionicu (popise servisa, kao i oznake rezervnih dijelova uređaja možete naći na adresi www.skil.com)

ZAŠTITA OKOLIŠA

- **Električne alate, pribor i ambalažu ne bacajte u kućni otpad** (samo za EU-države)
 - prema Europskoj direktivi 2012/19/EG o staroj električnoj i elektroničkoj opremi i njenoj primjeni u skladu sa nacionalnim zakonom, istrošeni električni alati moraju se sakupljati odvojeno i odvesti u posebne pogone za reciklažu
 - na to podsjeća simbol ⑧ kada se javi potreba za odlaganjem

DEKLARACIJA O SUKLADNOSTI CE

- Izjavljujemo uz punu odgovornost da je ovaj proizvod opisan u "Tehnički podaci" usklađen sa sljedećim normama ili normativnim dokumentima: EN 60745, EN 61000, EN 55014, prema odredbama smjernica 2004/108/EG, 2006/42/EG, 2011/65/EU

- **Tehnička dokumentacija se može dobiti kod:**
SKIL Europe BV (PT-SEU/ENG1), 4825 BD Breda, NL

Marijn van der Hoofden Olaf Dijkgraaf
Operations & Engineering Approval Manager




SKIL Europe BV, 4825 BD Breda, NL

09.12.2013

BUČI/VIBRACIJAMA

- Mjereno prema EN 60745 prag zvučnog tlaka ovog električnog alata iznosi 87 dB(A) a jakost zvuka 98 dB(A) (standardna devijacija: 3 dB), a vibracija 2,1 m/s² (postupkom na šaci-rući; nesigurnost K = 1,5 m/s²)
- Razina emitiranja vibracija izmjerena je sukladno normiranom testu danom u EN 60745; ona se može koristiti za usporedbu jedne alatke s drugom, te preliminarnu procjenu izloženosti vibracijama pri uporabi alatke za navedene namjene
 - uporaba ove alatke za druge namjene ili s drugim ili slabo održanim nastavcima, može u značajnoj mjeri **uvećati** razinu izloženosti
 - vrijeme tokom kojega je alatka isključena, ili je uključena ali se njome ne radi, može značajno **umanjiti** razinu izloženosti
- ! **zaštite se od posljedica vibracija održavanjem alatke i njezinih nastavaka, održavanjem Vaših ruku toplima, te organiziranjem Vaših obrazaca rada**

SRB

Tračna brusilica 1210/1215

UPUTSTVO

- Ovaj alat je namenjen za suvo brušenje i uspješno uklanjanje drveta, plastike, metala, materijala za ispunu i obojenih površina
- Ovaj alat nije namenjen za profesionalnu upotrebu
- Pažljivo pročitajte i sačuvajte ova uputstva za rukovanje

③

TEHNIČKI PODACI ①

ELEMENTI ALATA ②

- A Prekidač za uključivanje/isključivanje
- B Dugme za zaključavanje prekidača za uključivanje/isključivanje
- C Ručica za promenu brusnog papira
- D Strelica
- E Šraf za centriranje brusnog papira
- F Kesa za prašinu
- G Dodatak za prašinu
- H Adapter za usisivač
- J Prezi za hlađenje
- K Brusni okvir

SIGURNOST

OPŠTA UPUTSTVA O SIGURNOSTI

PAŽNJA! Čitajte sva upozorenja i uputstva. Propusti kod pridržavanja upozorenja i uputstava mogu imati za posledicu električni udar, požar i/ili teške povrede. **Čuvajte sva upozorenja i uputstva za budućnost.** Pojam upotrebljen u upozorenjima "električni alat" odnosi se na električne alate sa radom na mreži (sa mrežnim kablom) i na električne alate sa radom na akumulator (bez mrežnog kabla).

1) SIGURNOST NA RADNOM MESTU

- a) **Držite Vaše područje rada čisto i pospremljeno.** Nered ili neosvetljena radna područja mogu voditi nesrećama.
- b) **Ne radite sa aparatom u okolini ugroženoj od eksplozija u kojoj se nalaze zapaljive tečnosti, gasovi ili prašine.** Električni alati proizvode varnice, koje mogu zapaliti prašinu ili isparenja.
- c) **Za vreme korišćenja električnog alata držite podalje decu i druge osobe.** Kod skretanja možete izgubiti kontrolu nad aparatom.

2) ELEKTRIČNA SIGURNOST

- a) **Utikač za priključak aparata mora odgovarati utičnoj kutiji.** Utikač se nesme nikako menjati. **Ne upotrebljavajte adaptere utikača zajedno sa aparatima sa uzemljenom zaštitom.** Ne promenjeni utikači i odgovarajuće utičnice smanjuju rizik od električnog udara.
- b) **Izbegavajte telesni kontakt sa uzemljenim gornjim površinama, kao što su cevi, grejanja, šporeti i rashladni ormani.** Postoji povećani rizik od električnog udara, ako je Vaše telo uzemljeno.
- c) **Držite aparat podalje od kiše ili vlage.** Prodiranje vode u električni aparat povećava rizik od električnog udara.
- d) **Ne koristite kabl da bi aparat nosili, obesili ili ga izvlačili iz utičnice.** Držite kabl dalje od vreline, ulja, oštih ivica ili pokretnih delova aparata. Oštećeni ili zamršeni kablovi povećavaju rizik od električnog udara.
- e) **Ako sa nekim električnim alatom radite u prirodi, upotrebljavajte samo produžne kablove koji su dozvoljeni za spoljno područje.** Upotreba produžnog kabla pogodnog za spoljno područje smanjuje rizik od električnog udara.
- f) **Ako rad električnog alata ne može da se izbegne u vlažnoj okolini, koristite prekidač strujne zaštite pri kvaru.** Upotreba prekidača strujne zaštite pri kvaru smanjuje rizik od električnog udara.

3) SIGURNOST OSOBA

- a) **Budite pažljivi, pazite na to, šta radite i idite razumno na posao sa električnim alatom. Ne upotrebljavajte aparat, kada ste umorni ili pod uticajem droga, alkohola ili lekova.** Momenat nepažnje kod upotrebe aparata može voditi do ozbiljnih povreda.
- b) **Nosite ličnu zaštitnu opremu i uvek zaštitne naočare.** Nošenje lične zaštitne opreme, kao maske za prašinu, sigurnosne cipele koje ne klizaju, zaštitni šlem ili zaštitu za sluh, zavisno od vrste i upotrebe električnog alata, smanjujete rizik od povreda.

- c) **Izbegavajte nenamerno puštanje u rad. Uverite se da je električni alat isključen, pre nego što ga priključite na struju i/ili na akumulator, uzmete ga ili nosite.** Ako prilikom nošenja električnog alata držite prst na prekidaču ili aparat uključen priključujete na struju, može ovo voditi nesrećama.
- d) **Uklonite alate za podešavanje ili ključeve za zavrtanje, pre nego što uključite aparat.** Alat ili ključ koji se nalazi u delu aparata koji se okreće, može voditi povredama.
- e) **Ne precejujte sebe. Pobrinite se da sigurno stojite i održavajte u svako doba ravnotežu.** Na taj način možete bolje kontrolisati aparat u neočekivanim situacijama.
- f) **Nosite pogodno odelo. Ne nosite široko odelo ili nakit. Držite kosu, odelo i rukavice podalje od pokretnih delova.** Opušteno odelo, nakit ili duža kosa mogu biti zahvaćeni od rotirajućih delova.
- g) **Ako se mogu montirati uredjaji za usisavanje prašine i uredjaji za hvatanje prašine, uverite se da li su priključeni i ispravno koriste.** Upotreba usisavanja prašine može smanjiti opasnosti od prašine.
- 4) BRIŽLJIVO OPHODJENJE I KORIŠĆENJE ELEKTRIČNIH ALATA**
- a) **Ne preopterećujte aparat. Upotrebljavajte za Vaš posao električni alat odredjen za to.** Sa odgovarajućim električnim alatom radićete bolje i sigurnije u navedenom području rada.
- b) **Ne upotrebljavajte električni alat, čiji je prekidač u kvaru.** Električni alat koji više ne može da se uključi ili isključi je opasan i mora da se popravi.
- c) **Izvućite utikač iz utičnice i/ili uklonite akumulator pre nego što preduzmete podešavanja na aparatu, promenu delova pribora ili ostavite aparat.** Ova mera opreza sprečava nenamernan start aparata.
- d) **Čuvajte nekorišćene električne alate izvan domašaja dece. Ne dopustite osobama da koriste aparat, koje ga ne poznaju ili nisu pročitali ova uputstva.** Električni alati su opasni, ako ih koriste neiskusne osobe.
- e) **Održavajte aparat brižljivo. Kontrolišite, da li pokretni delovi aparata funkcionišu besprekorno i ne slepljuju, da li su delovi slomljeni ili tako oštećeni, da je funkcija aparata oštećena. Popravite oštećene delove pre upotrebe aparata.** Mnoge nesreće imaju svoj uzrok u loše održavanim električnim alatima.
- f) **Držite alate za sečenja oštre i čiste.** Brižljivo negovani alati za sečenje sa oštrim sečivima manje slepljuju i lakše se vode.
- g) **Upotrebljavajte električne alate, pribor, alate koji se umeću itd. prema ovim uputstvima. Obratite pažnju pritom na uputstva za rad i posao koji treba izvesti.** Upotreba električnih alata za druge od propisanih namena može voditi opasnim situacijama.
- 5) SERVIS**
- a) **Neka Vam Vaš aparat popravlja samo kvalifikovano stručno osoblje i samo sa originalnim rezervnim delovima.** Na taj način se obezbeđuje da ostane sačuvana sigurnost aparata.

UPUTSTVA O SIGURNOSTI SA BRUSILICOM

- Izbegavajte oštećenja od šrafova, eksera i drugih predmeta na vašem području rada; uklonite ih pre nego što započnete rad
- Kabl uvek držite podalje od pokretnih delova alata; uvek ga treba držati iza alata
- **Obezbedite radni predmet** (radni predmet stegnut pomoću stega ili nečeg sličnog je mnogo stabilniji neko kada se drži rukom)
- Kada završite rad sa alatom, isključite motor i proverite da li su se zaustavili svi pokretni delovi
- Prođuzni kabl koji koristite mora da bude sasvim odmotan i siguran, sa kapacitetom od 16 A
- U slučaju da dođe do električnog ili mehaničkog kvara, odmah isključite alat i iskopčajte ga iz utičnice
- SKIL može priznati garanciju samo ukoliko je korišćen originalni pribor
- Ovaj alat ne treba da koriste osobe ispod 16 godina
- Buka koju alat proizvodi tokom rada može da premaši 85 dB(A); nosite zaštitu za sluh
- **Hvatajte električni alat za izolovane hvataljke zato što brusni papir može da dodirne svoj kabl** (presecanje žice pod naponom može da izloži metalne delove električnog alata naponu i izazove električni udar kod rukovaoca)
- Ako se kabl ošteti ili preseče u toku rada, odmah ga iskopčajte i nemojte ga dodirivati
- Nikada nemojte da koristite alat ako je kabl oštećen; zamenu kabla mora da obavi stručno lice
- Uvek se uverite da je napon struje isti kao i napon naveden na pločici sa nazivom alatu (alati na kojima je naveden napon od 230V ili 240V mogu da rade i na 220V)
- Ovaj alat nije podesan za makro brušenje
- **Ne obradjujte nikakav materijal koji sadrži azbest** (azbest važi kao izazivač raka)
- Prašina od materijala, kao što su boja koja sadrži olovo, neke vrste drveta, minerali i metal, može biti opasna (dodir ili udisanje prašine može prouzrokovati alergijske reakcije i/ili respiratorna oboljenja rukovaoca i lica u blizini); **nosite masku protiv prašine i radite uz uključeni uređaj za ekstrakciju prašine kada radite na mestima gde ju je moguće priključiti**
- Određene vrste prašine su klasifikovane kao kancerogene (kao što su prašina hrastovine i bukovine), posebno u sadejstvu sa aditivima za pripremu drveta; **nosite masku protiv prašine i radite uz uključeni uređaj za ekstrakciju prašine kada radite na mestima gde ju je moguće priključiti**
- Prati nacionalne propise vezane za prašinu koja se proizvodi prilikom rada na obrađivanim materijalima
- Kod brušenja metala, dolazi do varničenja; nemojte da koristite kesu za prašinu/dodatak za prašinu/usisivač, a ostale osobe i zapaljivi materijali treba da budu dalje od područja rada
- Nemojte dodirivati brusni papir kada je alat uključen
- Nemojte da koristite istrošene, pohabane ili veoma zapušene brusne papire
- Nosite zaštitne rukavice, zaštitne naočari, odeću pripijenu uz telo i zaštitu za kosu (ukoliko je dugačka)
- **Obavezno iskopčajte alat iz električne utičnice pre nego što izvršite bilo kakva podešavanja ili zamenu pribora**

UPUTSTVO ZA KORIŠĆENJE

- Prekidač za uključivanje/isključivanje
 - uključite/isključite alat povlačenjem/otpuštanjem obarača A ②
 - ! **alat treba da uključite pre nego što brusna površina dodirne područje rada**
 - ! **uređaj treba da ga podignete sa područja rada pre nego što ga isključite**
- Učvršćivanje prekidača za stalno bušenje
 - povucite obarač A ②
 - pritisnite dugme B ② palcem
 - pustite obarač
 - otključajte prekidač ponovnim povlačenjem obarača A ② i otpuštanjem
- Brza zamena brusnih papira (CLIC sistem) ④
 - ! **iskopčajte utikač**
 - podignite ručicu C
 - uklonite brusni papir
 - umetnite novi brusni papir sa strelicama utisnutim sa unutrašnje strane usmerenim u istom pravcu kao i strelica D na alatu
 - gurnite ručicu unazad
 - ! **na vreme menjajte brusne papire**
 - ! **nikada nemojte savijati brusne papire**
- Automatsko centriranje brusnog papira (ABC)
 - automatski centriraju brusni papir prilikom uključivanja alata
 - održava centriranje brusnog papira prilikom brušenja
 - U slučaju da brusni papir spadne sa alata (uglavnom zbog lošijeg kvaliteta brusnog papira), trebalo bi da
 - uključite alat
 - podesite šraf E ② da bi se brusni papir poravnao sa ravnom stranom alata
 - upotrebite novi brusni papir, ako stari još uvek spada sa alata
- Usisavanje prašine ⑤
 - radi optimalnog usisavanja prašine redovno praznite dodatak G/kesu F
 - ako koristite alat sa usisivača, montirajte adapter za usisivač H kao što je prikazano na slici (1215)
 - po potrebi čistite filter kao što je prikazano na slici
 - ! **nemojte da koristite dodatak za prašinu/kesu za prašinu/usisivač kada brusite metal**
- Držanje i upravljanje alata ⑥
 - držite alat paralelno sa površinom koju obrađujete
 - ! **dok radite, uvek držite alat za mesto(a) koje(a) su označena sivom bojom**
 - ! **nemojte mnogo da pritiskate električni alat na površinu za brušenje**
 - nemojte da naginjete alat, da biste izbegli pojavljivanje neželjenih tragova brušenja
 - prerezi za hlađenje J ② moraju da budu otvoreni

SAVETI ZA PRIMENU

- Prilikom brušenja neobrađenog drveta pomerajte alat pravolinijski prateći šare drveta
- Prilikom brušenja svih ostalih površina pomerajte alat kružnim pokretima
- Postavite brusni okvir K (SKIL pribor 2610398244) za izjednačavanje površina bez ogrebotina ili žlebova, i proverite da li je dobro namešten ⑦
- ! **brusni okvir K zagreva se prilikom upotrebe; ne dodirujte ga dok se ne ohladi**

- Nemojte nikada da koristite isti brusni papir za drvo i metal
- Preporučena zrnastost brusnog papira:
 - grubi- za uklanjanje boje; za brušenje veoma hrapavog drveta
 - srednji- za brušenje hrapavog ili sirovog drveta
 - fini- za glačanje drveta; za finalnu obradu neobrađenog drveta; za glačanje površina sa starom bojom
- Koristite različit stepen zrnastosti kada je površina za obradu hrapava:
 - brušenje započnite papirom sa grubom ili srednjom zrnastošću
 - završite papirom sa finom zrnastošću
- Za više saveta pogledajte www.skil.com

ODRŽAVANJE / SERVIS

- Ovaj alat nije namenjen za profesionalnu upotrebu
- Alat i kabl uvek održavajte čistim (posebno otvore za hlađenje J ②)
 - četkicom uklonite nakupljenu prašinu od brušenja
- ! **pre čišćenja iskopčajte kabl iz utičnice**
- Ako bi alat i pored brižljivog postupka izrade i kontrole nekada otkazao, popravku mora vršiti neki autorizovani servis za SKIL-električne alate
 - pošaljite **nerastavljeni** alat zajedno sa potvrdom o kupovini vašem nabavljaču ili najbližem SKIL servisu (adrese i oznake rezervnih delova možete naći na www.skil.com)

ZAŠTITA OKOLINE

- **Električne alate, pribora i ambalaže ne odlažite u kućne otpatke** (samo za EU-države)
 - prema Evropskoj direktivi 2012/19/EG o staroj električnoj i elektronskoj opremi i njenoj upotrebi u skladu sa nacionalnim pravom, električni alati koji su istrošeni moraju biti sakupljeni odvojeno i dostavljeni pogonu za reciklažu
 - simbol ⑧ će vas podsetiti na to

DEKLARACIJA O USKLAĐENOSTI CE

- Izjavljujemo na vlastitu odgovornost da je pod "Tehnički podaci" opisani proizvod usaglašen sa sledećim standardima ili normativnim aktima: EN 60745, EN 61000, EN 55014 prema odredbama smernica 2004/108/EG, 2006/42/EG, 2011/65/EU
- **Tehnička dokumentacija kod:** SKIL Europe BV (PT-SEU/ENG1), 4825 BD Breda, NL

Marijn van der Hoofden
Operations & Engineering

Olaf Dijkgraaf
Approval Manager

SKIL Europe BV, 4825 BD Breda, NL

09.12.2013

BUKA/VIBRACIJE

- Mereno u skladu sa EN 60745 nivo pritiska zvuka ovog alata iznosi 87 dB(A) a jačina zvuka 98 dB(A) (normalno odstupanje: 3 dB), a vibracija 2,1 m/s² (mereno metodom na šaci-ruci; nesigurnost K = 1,5 m/s²)
 - Nivo emisije vibracija izmeren je u skladu sa standardizovanim testom datim u EN 60745; on se može koristiti za upoređenje jedne alatke sa drugom, kao i za preliminarnu procenu izloženosti vibracijama pri korišćenju ove alatke za pomenute namene
 - korišćenje alatke u drugačije svrhe ili sa drugačijim ili slabo održanim nastavcima može značajno **povećati** nivo izloženosti
 - vreme kada je alatka isključena ili kada je uključena, ali se njome ne radi, može značajno **smanjiti** nivo izloženosti
- ! zaštitite se od posledica vibracija održavanjem alatke i njenih nastavaka, održavajući Vaše ruke toplim i organizovanjem Vaših radnih obrazaca**

SL0

Tračni brusilnik

1210/1215

UVOD

- Orodje je namenjeno za suho brušenje z velikim učinkom odstranjanja lesa, plastike, kovine, polnil in barvanih površin
- Orodje ni namenjeno profesionalni uporabi
- Preberite in shranite navodila za uporabo ③

TEHNIČNI PODATKI ①

DELI ORODJA ②

- A Stikalo vklopi/izklopi
- B Gumb za aretacijo stikala za vklop/izklop
- C Ročica za zamenjavo brusnega traku
- D Puščica
- E Vijak za prilagoditev centriranja brusnega traku
- F Vrečka za prah
- G Dodatek za prah
- H Adapter za sesalnik
- J Ventilacijske reže
- K Okvir za brušenje

VARNOST

SPLOŠNA VARNOSTNA NAVODILA

⚠ OPOZORILO! Preberite vsa opozorila in napotila. Napake zaradi neupoštevanja spodaj navedenih opozoril in napotil lahko povzročijo električni udar, požar in/ali težke telesne poškodbe. **Vsa opozorila in napotila shranite, ker jih boste v prihodnje še potrebovali.** Pojem "električno orodje", ki se pojavlja v nadaljnjem besedilu, se nanaša na električna orodja z električnim pogonom (z električnim kablom) in na akumulatorska električna orodja (brez električnega kabla).

1) VARNOST NA DELOVNEM MESTU

- a) **Poskrbite, da bo Vaše delovno mesto vedno čisto in urejeno.** Nered ali neosvetljena delovna področja lahko povzročijo nezgode.
- b) **Prosimo, da orodja ne uporabljate v okolju, kjer je nevarnost za eksplozije in v katerem se nahajajo gorljive tekočine, plini in prah.** Električna orodja povzročajo iskre, zato se gorljivi prah ali pare lahko vnamejo.
- c) **Ne dovolite otrokom in drugim osebam, da bi se medtem ko delate, približali električnemu orodju.** Druge osebe lahko odvrnejo Vašo pozornost drugam in izgubili boste nadzor nad orodje.

2) ELEKTRIČNA VARNOST

- a) **Vtič mora ustrezati električni vtičnici in ga pod nobenim pogojem ne smete spreminjati. Uporaba adapterskih vtičev v kombinaciji z ozemljena orodja ni dovoljena.** Originalni oziroma nespremenjeni vtiči in ustrezne vtičnice zmanjšujejo tveganje električnega udara.
- b) **Izogibajte se telesnemu stiku z ozemljenimi površinami, na primer s cevmi, grelci, štedilniki in hladilniki.** Če je ozemljeno tudi vaše telo, obstaja povečano tveganje električnega udara.
- c) **Zavarujte orodje pred dežjem ali vlago.** Vdor vode v električno orodje povečuje tveganje električnega udara.
- d) **Električnega kabla ne uporabljajte za prenašanje ali obežanje orodja in ne vlecite vtič iz vtičnice tako, da vlečete za kabel. Zavarujte kabel pred vročino, oljem, ostrimi robovi in premikajočimi se deli orodja.** Poškodovani ali prepleteni kabli povečujejo tveganje električnega udara.
- e) **Če z električnim orodjem delate na prostem, uporabljajte izključno kabelski podaljšek, ki je atestiran za delo na prostem.** Uporaba kabelskega podaljška, primerne za delo na prostem, zmanjšuje tveganje električnega udara.
- f) **Če je uporaba električnega orodja v vlažnem okolju neizogibna, uporabljajte prekinjevalec električnega tokokroga.** Prekinjevalec električnega tokokroga zmanjšuje tveganje električnega udara.

3) OSEBNA VARNOST

- a) **Bitite zbrani in pazite, kaj delate. Dela z električnim orodjem se lotite razumno. Nikoli ne uporabljajte orodja, če ste utrujeni in če ste pod vplivom mamil, alkohola ali zdravil.** En sam trenutek nepazljivosti pri uporabi orodja ima lahko za posledico resne telesne poškodbe.
- b) **Uporabljajte osebna zaščitna sredstva in vedno nosite zaščitna očala.** Uporaba osebnih zaščitnih sredstev, na primer maske proti prahu, nedrsečih zaščitnih čevljev, zaščitne čelade in slušnikov, odvisno od vrste in uporabe električnega orodja, zmanjšuje tveganje telesnih poškodb.
- c) **Izogibajte se nenamernemu zagonu. Pred priključitvijo električnega orodja na električno omrežje in/ali na akumulator in pred dviganjem ali nošenjem se prepričajte, če je električno orodje izklopljeno.** Prenašanje naprave s prstom na stikalo ali priključitev vklopljenega električnega orodja na električno omrežje je lahko vzrok za nezgodo.

- d) **Pred vklopom orodja odstranite z nje nastavitvena orodja ali vijačni ključ.** Orodje ali ključ, ki se nahajata na vrtečem se delu električnega orodja, lahko povzročita nezgodo.
- e) **Ne preneajte se in poskrbite za varno stojišče in stalno ravnotežje.** Tako boste lahko v nepričakovani situaciji bolje obvladali orodje.
- f) **Nosite primerno obleko, ki naj ne bo preohlapna. Ne nosite nakita. Lasje, oblačilo in rokavice naj se ne približujejo premikajočim se delom orodja.** Premikajoči se deli orodja lahko zgrabijo ohlapno obleko, nakit, ali dolge lase.
- g) **Če je možno na orodje namestiti priprave za odsesavanje in prestrazanje prahu, prepričajte se, ali so le-te priključene in, če jih pravilno uporabljate.** Uporaba priprave za odsesavanje prahu zmanjšuje zdravstveno ogroženost zaradi prahu.

4) RAVNANJE IN NEGA ROČNEGA ORODJA

- a) **Ne preobremenjujte orodja. Za določeno delo uporabljajte električno orodje, ki je predvideno za opravljanje tega dela.** Z ustreznim električnim orodjem boste delo opravili bolje in varneje, ker je bilo v ta namen tudi konstruirano.
- b) **Električno orodje, ki ima pokvarjeno stikalo, ne uporabljajte.** Električno orodje, ki ga ni možno vklopiti ali izklopiti, je nevarno in ga je potrebno popraviti.
- c) **Pred nastavljanjem naprave, zamenjavo delov pribora ali odlaganjem naprave izvlecite vtiak iz električne vtičnice in/ali odstranite akumulator.** Ta previdnostni ukrep onemogoča nepredviden zagon orodja.
- d) **Kadar orodja ne uporabljate ga shranjujte izven dosega otrok. Osebam, ki orodja ne poznajo ali niso prebrale teh navodil, orodja ne dovolite uporabljati.** Električna orodja so nevarna, če jih uporabljajo neizkušene osebe.
- e) **Skrbno negujte orodje. Preverite, če premikajoči se deli orodja delujejo brezhibno in če se ne zatikajo, oziroma, če kakšen del orodja ni zlomljen ali poškodovan do te mere, da bi ovirali njegovo delovanje. Pred nadaljnjo uporabo je potrebno poškodovani del popraviti.** Vzrok za številne nezgode so ravno slabo vzdrževana električna orodja.
- f) **Rezalna orodja naj bodo ostra in čista.** Skrbno negovana rezalna orodja z ostrimi rezili se manj zatikajo in so bolj vodljiva.
- g) **Električna orodja, pribor, nastavke in podobno uporabljajte v skladu s temi navodili. Pri tem upoštevajte delovne pogoje in vrsto dela, ki ga nameravate opraviti.** Zaradi uporabe električnega orodja v druge, nepredvidene namene, lahko nastanejo nevarne situacije.
- 5) **SERVIS**
- a) **Popravilo orodja lahko opravi samo usposobljena strokovna oseba in to izključno z originalnimi nadomestnimi deli.** Le tako bo ohranjena nadaljnja varnost orodja.

VARNOSTNA NAVODILA ZA UPORABO BRUSILNIKA

- Izogibajte se poškodb zaradi vijakov, žebeljev ali drugih elementov v obdelovancu; odstranite jih pred začetkom dela
- Kabel naj bo vedno odmaknjen od gibljivih delov stroja; usmerite ga proti zadnjemu delu, stran od stroja

- Zavarujte obdelovanec** (obdelovanec stisnjen v prižemi ali primežu je bolj varen kot v roki)
- Ko orodje postavite vstran, izklopite motor in pazite, da se vsi premikajoči se deli orodja popolnoma zavestijo
- Uporabljajte povsem iztegnjene in varne električne podaljške, z jakostjo 16 amperov
- Če pride do električnih ali mehanskih okvar, takoj izklopite stroj in izvlecite vtiak iz vtičnice
- SKIL zagotavlja brezhibno delovanje orodja le z uporabo originalnega dodatnega pribora
- Orodja naj ne bi uporabljale osebe mlajše od 16 let
- Med delom lahko nivo hrupa presega 85 dB(A); uporabljajte zaščito proti hrupu
- Orodje držite za izolirane dele ročaja za primer, če med delom pride orodje v stik z lastnim priključnim kablom** (stik z vodnikom pod napetostjo povzroči, da so pod napetostjo tudi izpostavljeni kovinski deli orodja, kar lahko povzroči električni udar za uporabnika)
- Če je priključni kabel poškodovan ali se med delom pretрга se ga ne dotikajte, temveč takoj potegnite električni vtiak iz vtičnice
- Nikoli ne uporabljajte orodja, če je kabel poškodovan; okvaro naj odpravi strokovnjak
- Vedno preverite, če je napetost omrežja enaka napetosti, ki je navedena na tablici orodja (orodje z nazivno napetostjo 230V ali 240V lahko priključite tudi na napetost 220V)
- To orodje ni primerno za uporabo v mokrih okoljih
- Ne obdelujte materiala, ki vsebuje azbest** (azbest povzroča rakasta obolenja)
- Prah materialov, kot so barve, ki vsebujejo svinec, nekatere vrste lesa, mineralov ali kovin so lahko škodljivi (ob stiku ali vdihavanju lahko prah pri delavcu ali pri drugih prisotnih povzroči alergijsko reakcijo in/ali boleznih dihal); **nosite masko za prah in pri delu uporabljajte napravo za odsesavanje prahu, kjer je le-to možno priključiti**
- Nekatere vrste prahu so klasificirane kot kancerogene (kot npr. prah hrasta in bukke) še posebno ob sočasni uporabi z dodatki za obdelavo lesa; **nosite masko za prah in pri delu uporabljajte napravo za odsesavanje prahu, kjer je le-to možno priključiti**
- Upoštevajte nacionalne zahteve glede prahu za materiale katere želite obdelovati
- Pri brušenju kovinskih delov se iskri; ne uporabljajte vrečke za prah/dodatka za prah/sesalnika z delovnega področja odstranite vnetljive materiale in ne dovolite, da se področju dela približujejo druge osebe
- Ne dotikajte se brusnega traku, ko se le-ta giblje
- Ne nadaljujte delo z izrabiljenim, poškodovanim ali močno nagubanim brusnim trakom
- Uporabljajte zaščitne rokavice, zaščitna očala, tesno prijeta oblačila in zaščito za lase (velja za dolge lase)
- Vedno izvlecite električni vtiak iz vtičnice preden spreminjate nastavitve ali menjate pribor**

UPORABA

- Stikalo vklopi/izklopi
 - izklopite/vklopite orodje tako, da pritisnete/sprostite stikalo A ②
- ! orodje bi morali vklopiti, preden se z brusno površino dotaknete predmeta, ki ga obdelujete**

- ! **preden orodje izklopite, bi ga morali odmakniti od predmeta, ki ga obdelujete**
- Aretacija stikala
 - pritisnite stikalo A ②
 - s palcem pritisnite gumb B ②
 - sprostite stikalo
 - aretacijo stikala prekinete s ponovnim pritiskom in sprostivijo stikala A ②
- Hitra menjava brusnega traku (CLIC sistem) ④
 - ! **izključite vtiak**
 - dvignite ročico C
 - odstranite brusni trak
 - namestite nov brusni trak tako, da bodo natisnjene puščice na notranji strani traku obrnjene v isto smer kot puščica D na orodju
 - pritisnite ročico nazaj
 - ! **brusni trak zamenjajte pravočasno**
 - ! **nikoli ne pregibajte brusnih travov**
- Samodejno centriranje brusnega traku (ABC)
 - trak se samodejno centrirata, ko je stikalo orodja vključeno
 - med brušenjem zagotavlja centriranje traku

V primeru uhajanja traku s tekalne površine na orodju (največkrat je vzrok v nezadovoljivi kvaliteti traku), napravite naslednje:

 - vklopite orodje
 - nastavite vijak E ② dokler brusni trak ne teče poravnano z ravno stranjo orodja
 - če trak še vedno uhaja s tekalne površine, vzemite novega
- Odsesavanje prahu ⑤
 - redno praznite dodatka za prah G/vrečke za prah F za najboljše delovanje
 - če uporabljate orodje s sesalnikom za prah namestite adapter za sesalnik H, kot je prikazano (1215)
 - če je potrebno, očistite tudi filtra, kot je prikazano
 - ! **dodatka za prah/vrečke za prah/sesalnika ne uporabljajte pri brušenju kovine**
- Držanje in vodenje orodja ⑥
 - orodje naj teče vzporedno z delovno površino
 - ! **med delom vedno držite orodje za sivo obarvano mesto oprijema**
 - ! **na brusilnik ne pritiskajte premočno; naj to namesto vas naredi brusna površina**
 - da bi se izognili neželenim brusnim madežem, orodja med delom ne nagibajte
 - ventilacijske reže J ② morajo biti nepokrite

UPORABNI NASVETI

- Za brušenje golih lesenih površin orodje premikajte v ravnih gibih v smeri vlaken
- Za brušenje ostalih površin orodje premikajte v ovalnih gibih po obdelovancu
- Namestite okvir za brušenje K (SKIL pribor 2610398244), da bi izravnali površino brez prask ali brazd, in se prepričajte, da se pravilno na svojem mestu ⑦
 - ! **brusni okvir K se med uporabo segreva; ne dotikajte se ga dokler se ne ohladi**
- Nikoli ne uporabite istega brusnega traku za les in kovino

- Priporočljiva zrnatost brusnega traku:
 - groba- za odstranjevanje barv; za brušenje izredno hrapavega lesa
 - srednja- za brušenje hrapavega ali ravnega lesa
 - fina- za gladko brušenje lesa; za končno obdelavo samega lesa; za gladko brušenje površin s staro barvo
- Če je delovna površina hrapava, uporabljajte različno zrnatost brusnega papirja:
 - začnite brusiti z brusnim papirjem grobe ali srednje grobe zrnatosti
 - zaključite z brusnim papirjem fine zrnatosti
- Za več nasvetov glejte pod www.skil.com

VZDRŽEVANJE/SERVISIRANJE

- Orodje ni namenjeno profesionalni uporabi
- Priključni kabel in orodje naj bosta vedno čista (posebej še prezračevalne odprtine J ②)
 - brusni prah odstranjujte s ščetko
 - ! **izvlecite vtiak iz vtičnice pred čiščenjem**
- Če bi kljub skrbnim postopkom izdelave in preizkušanja prišlo do izpada delovanja orodja, naj popravilo opravi servisna delavnica, pooblaščenca za popravila SKILevih električnih orodij
 - pošljite **nerazstavljeno** orodje skupaj s potrdilom o nakupu pri vašemu prodajalcu v najbližjo SKIL servisno delavnico (naslovi, kot tudi spisek rezervnih delov se nahaja na www.skil.com)

OKOLJE

- **Električnega orodja, pribora in embalaže ne odstranjujte s hišnimi odpadki** (samo za države EU)
 - v skladu z Evropsko direktivo 2012/19/EG o odpadnih električni in elektronski opremi in z njenim izvajanjem v nacionalni zakonodaji je treba električna orodja ob koncu njihove življenjske dobe ločeno zbirati in jih predati v postopek okolju prijaznega recikliranja
 - ko je potrebno odstranjevanje, naj vas o načinu spomni simbol ⑧

IZJAVA O SKLADNOSTI CE

- Izjavljamo pod izključno odgovornostjo, da proizvod pod "Tehnični podatki" ustreza naslednjim standardom oz. standardiziranim dokumentom: EN 60745, EN 61000, EN 55014 v skladu z določili direktiv 2004/108/ES, 2006/42/ES, 2011/65/EU
- **Tehnična dokumentacija se nahaja pri:**
SKIL Europe BV (PT-SEU/ENG1), 4825 BD Breda, NL

Marijn van der Hoofden
Operations & Engineering

Olaf Dijkgraaf
Approval Manager




SKIL Europe BV, 4825 BD Breda, NL

09.12.2013

HRUP/VIBRACIJA

- Izmerjeno v skladu s predpisom EN 60745 je raven zvočnega pritiska za to orodje 87 dB(A) in jakosti zvoka 98 dB(A) (standarden odmik: 3 dB), in vibracija 2,1 m/s² (metoda dian-roka; netočnost K = 1,5 m/s²)
 - Raven oddajanja vibracij je bila izmerjena v skladu s standardiziranimi testi, navedenimi v EN 60745; uporabi jo je mogoče za primerjavo različnih orodij med seboj in za predhodno primerjavo izpostavljenosti vibracijam pri uporabi orodja za namene, ki so omenjeni
 - uporaba orodja za drugačne namene ali uporaba skupaj z drugimi, slabo vzdrževanimi nastavki lahko znatno **poveča** raven izpostavljenosti
 - čas, ko je orodje izklopljeno ali ko teče, vendar z njim ne delamo, lahko znatno **zmanjša** raven izpostavljenosti
- ! pred posledicami vibracij se zaščitite z vzdrževanjem orodja in pripadajočih nastavkov, ter tako, da so vaše roke tople, vaši delovni vzorci pa organizirani**

EST

Lintilivmasinad

1210/1215

SISSEJUHATUS

- See on tõhus tööriist, mis on ette nähtud puit-, plast-, metall-, pahteldatud ja värvitud pindade lihvimiseks
- Tööriist pole mõeldud professionaalseks kasutamiseks
- Palun lugege käesolev kasutusjuhend hoolikalt läbi ja hoidke alles ③

TEHNILISED ANDMED ①

SEADME OSAD ②

- A Tööüliliti (sisse/välja)
- B Sisse-/väljalülitusnupu lukustusnupp
- C Lihvimislindi pingutushoob
- D Nool
- E Lindi tsentreerimise reguleerikruvi
- F Tolmukott
- G Tolmukott
- H Tolmuimejaadapteri
- J Ohutusavad
- K Lihvimisraam

OHUTUS

ÜLDISED OHUTUSJUHISED

⚠ TÄHELEPANU! Kõik ohutusnõuded ja juhised tuleb läbi lugeda. Ohutusnõuete ja juhiste eiramise tagajärjeks võib olla elektrilöök, tulekahju ja/või rasked vigastused. **Hoidke kõik ohutusnõuded ja juhised edasiseks kasutamiseks hoolikalt alles.** Allpool kasutatud mõiste "elektriline tööriist" käib võrgutoitega (toitejuhtmega) elektriliste tööriistade ja akutoitega (ilma toitejuhtmeta) elektriliste tööriistade kohta.

1) OHUTUSNÕUDED TÖÖPIIRKONNAS

- a) **Hoidke töökoht puhas ja korras.** Segadus või valgestamata tööpiirkonnad võivad põhjustada õnnetusi.
- b) **Ärge kasutage seadet plahvatusohtlikus keskkonnas, kus leidub tuleohtlike vedelikke, gaase või tolmu.** Elektrilistest tööriistadest lööb sädemeid, mis võib auru tolmu või aurud süüdata.
- c) **Kui kasutate elektrilist tööriista, hoidke lapsed ja teised isikud töökohast eemal.** Kui Teie tähelepanu kõrvale juhitakse, võib seade Teie kontrolli alt väljuda.

2) ELEKTRIOHUTUS

- a) **Seadme pistik peab pistikupessa sobima. Pistiku kallal ei tohi teha mingeid muudatusi. Ärge kasutage kaitsemaandusega seadmete puhul adapterpistikuid.** Muutmata pistikud ja sobivad pistikupesad vähendavad elektrilöögi saamise riski.
- b) **Vältige kehakontakti maandatud pindadega, nagu torud, radiaatorid, pliidid ja külmikud.** Kui Teie keha on maandatud, on elektrilöögi risk suurem.
- c) **Hoidke seadet vihma ja niiskuse eest.** Kui elektriseadmesse on sattunud vett, on elektrilöögi saamise risk suurem.
- d) **Ärge kasutage toitejuhet selleks mitte ettenähtud otstarbel seadme kandmiseks, ülesriputamiseks ega pistiku pistikupesast väljatõmbamiseks.** Hoidke toitejuhet kuumuse, õli, teravate servade ja seadme liikuvate osade eest. Kahjustatud või keeruldäinud toitejuhtmed suurendavad elektrilöögi saamise riski.
- e) **Kui töötate elektrilise tööriistaga vabas õhus, kasutage ainult selliseid pikendusjuhtmeid, mida on lubatud kasutada ka välistingimustes.** Välistingimustes kasutamiseks sobiva pikendusjuhtme kasutamine vähendab elektrilöögi saamise riski.
- f) **Kui elektrilise tööriista kasutamine niiskes keskkonnas on vältimatu, kasutage maandusega lekkevoolukaitset.** Maandusega lekkevoolukaitse kasutamine vähendab elektrilöögi ohtu.

3) INIMESTE TURVALISUS

- a) **Olge tähelepanelik, jälgige, mida Te teete, ning toimige elektrilise tööriistaga töötades mõistlikult.** Ärge kasutage seadet, kui olete väsinud või uimastite, alkoholi või ravimite mõju all. Hetkeline tähelepanematus seadme kasutamisel võib põhjustada tõsiseid vigastusi.
- b) **Kandke isikukaitsevahendeid ja alati kaitseprille.** Isikukaitsevahendite, nagu tolmu mask, libisemiskindlad turvajalatsid, kaitsekiiver või kuulmiskaitsevahendid, kandmine – sõltuvalt elektrilise tööriista tüübist ja kasutusala – vähendab vigastuste riski.
- c) **Vältige seadme tahtmatut käivitamist. Enne pistiku ühendamist pistikupessa, aku ühendamist seadme külge, seadme ülestõstmist ja kandmist veenduge, et elektriline tööriist on välja lülitatud.** Kui hoiate elektrilise tööriista kandmisel sõrme lülitil või ühendate vooluvõrku sisselülitatud seadme, võivad tagajärjeks olla õnnetused.
- d) **Enne seadme sisselülitamist eemaldage selle küljest reguleerimis- ja mutrivõtmed.** Seadme pöörleva osa küljes olev reguleerimis- või mutrivõti võib põhjustada vigastusi.

- e) **Ärge hinnake end üle. Võtke stabiilne tööasend ja hoidke kogu aeg tasakaalu.** Nii saate seadet ootamatutes olukordades paremini kontrollida.
- f) **Kandke sobivat rõivastust. Ärge kandke laiu riideid ega ehteid. Hoidke juuksed, rõivad ja kindad seadme liikuvatest osadest eemal.** Lotendavad riided, ehted või pikad juuksed võivad sattuda seadme liikuvate osade vahele.
- g) **Kui on võimalik paigaldada tolmuemaldus- ja tolmu kogumisseadiseid/seadmeid, veenduge, et need oleksid seadmega ühendatud ja et need kasutataks õigesti.** Tolmuemaldusseadise kasutamine vähendab tolmu st põhjustatud ohte.
- 4) ELEKTRILISTE TÖÖRIISTADE HOOLIKAS KÄSITSEMINE JA KASUTAMINE**
- a) **Ärge koormake seadet üle. Kasutage töö tegemiseks selleks ettenähtud elektrilist tööriista.** Sobiva elektrilise tööriistaga töötate paremini ja turvalisemalt ettenähtud võimsusvahemikus.
- b) **Ärge kasutage elektrilist tööriista, mille lüliti on rikkis.** Elektriline tööriist, mida ei ole enam võimalik sisse ja välja lülitada, on ohtlik ning seda tuleb remontida.
- c) **Tõmmake pistik pistikupesast välja ja/või eemaldage seadme aku enne seadme reguleerimist, tarvikute vahetamist ja seadme ärapanekut.** See ettevaatusabinõu väldib seadme tahtmatut käivitamist.
- d) **Kasutusvälisel ajal hoidke elektrilisi tööriistu lastele kättesaamatult. Ärge laske seadet kasutada isikutel, kes seda ei tunne või pole siintoodud juhiseid lugenud.** Kogenematute kasutajate käes kujutavad elektrilised tööriistad ohtu.
- e) **Hoolitsege seadme eest. Kontrollige, kas seadme liikuvad osad funktsioneerivad korralikult ja ei kiildu kinni, ning ega mõned osad ei ole kaiti või sel määral kahjustatud, et võiksid mõjutada seadme töökindlust. Laske kahjustatud osad enne seadme kasutamist parandada.** Paljude õnnetuste põhjuseks on halvasti hooldatud elektrilised tööriistad.
- f) **Hoidke lõiketarvikud teravad ja puhtad.** Hoolikalt hoitud, teravate lõikeservadega lõiketarvikud kiilduvad harvemini kinni ja need on lihtsam juhtida.
- g) **Kasutage elektrilist tööriista, lisavarustust, tarvikuid jne vastavalt siintoodud juhistele. Arvestage seejuures tööttingimuste ja teostatava töö iseloomuga.** Elektriliste tööriistade kasutamine mitte ettenähtud otstarbel võib põhjustada ohtlikke olukordi.
- 5) TEENINDUS**
- a) **Laske seadet parandada ainult kvalifitseeritud spetsialistidel ja ainult originaalvaruosadega.** Nii tagate seadme püsimise turvalisena.

OHUTUSJUHISED LIHVASINATE KOHTA

- Vältige töödeldavas esemes olevatest kruvidest, naeltest vms põhjustatud kahjustusi; eemaldage need enne töö alustamist
- Vältige toitejuhtme kokkupuutumist seadme pöörlevate osadega; hoidke toitejuhet alati tööriistast eemal, tagapool
- **Fikseerige toorik** (fiksaatoriga kinnitatud või kruustangide vahele pandud toorik püsib kindlamini paigal kui lihtsalt käega hoides)

- Enne tööriista juurest lahkumist lülitage see välja ning oodake, kuni selle liikuvad osad on täielikult seiskunud
- Pikendusihtme kasutamisel jälgige, et juhe oleks lõpuni lahti keritud ja vastaks 16 A voolutugevusele
- Seadme elektrilise või mehhaanilise häire korral lülitage seade viivitamatult välja ja eemaldage pistik vooluvõrgust
- SKIL tagab seadme häireteta töö üksnes originaaltarvikute kasutamisel
- Tööriista kasutaja peab olema vähemalt 16 aastat vana
- Töötamise ajal võib müra taseme ületada 85 dB(A); kandke kuulmiskaitsevahendeid
- **Hoidke elektritööriista kinni isoleeritud haardepinnast, kuna lint võib puutuda kokku tööriista enda juhtmega** (voolu all oleva juhtme lõikamisel võivad elektritööriista metallosad pingestuda ja anda operaatorile elektrilöögi)
- Kui toitejuhe saab töötamise ajal kahjustada või see lõigatakse läbi, ärge toitejuhet puutuge, vaid eemaldage koheselt pistik vooluvõrgust
- Ärge kunagi kasutage kahjustatud toitejuhtmega tööriista; laske toitejuhe remonditöökojas välja vahetada
- Kontrollige alati, kas võrgupinge ühtib tööriista andesildil toodud pingega (andesildil toodud 230V või 240V korral võib tööriistad kasutada ka 220V võrgupinge puhul)
- See tööriist ei sobi märglihvimiseks
- **Asbestisisaldava materjali töötlemine on keelatud** (asbest võib tekitada vähki)
- Värviga kaetud juhtmed, mõned puiduliigid, mineraalid ja metall eraldavad tolmu, mis võib olla kahjulik (kokkupuude tolmuaga või selle sissehingamine võib seadme kasutajal või läheduses viibival inimesel põhjustada allergilisi reaktsioone ja/või hingamisteede haigusi); **kandke tolmu maski ja vajaduse korral töötage külgeühendatava tolmuemaldusseadmega**
- Teatud tüüpi tolm on klassifitseeritud kantserogeensena (nt tammest ja kaset eralduv tolm), eriti koos puidu niiskuse reguleerimiseks kasutatavate lisanditega; **kandke tolmu maski ja vajaduse korral töötage külgeühendatava tolmuemaldusseadmega**
- Erinevate materjalide töötlemisel tekkiva tolmu käitlemisel tuleb järgida kehtivaid nõudeid
- Metallide lihvimisel lendub sädemeid; ärge kasutage tolmu kotti/tolmuimejat ning jälgige, et läheduses ei oleks teisi inimesi ega tuleohtlikke materjale
- Vältige kokkupuudet jooksa lihvimisliindiga
- Ärge kasutage ülemäärast kulunud, rebenenud või muul viisil vigastatud lihvimislinte
- Kandke kaitsekindaid ja kaitseprille, pikad juuksed kaitse neti peakattega; ärge kandke töö ajal laiu, lotendavaid riideid
- **Enne seadme reguleerimist või tarvikute vahetust eemaldage seade vooluvõrgust (tõmmake pistik pistikupesast välja)**

KASUTAMINE

- Töölülitit (sisse/välja)
 - seadme sisselülitamiseks/väljalülitamiseks vajutage/vabastage töölülitile A ②
- ! **enne lihvitava pinna kokkupuutumist töödeldava esemega tuleb tööriist sisse lülitada**
- ! **enne tööriista väljalülitamist tuleb see töödeldaval esemel eemaldada**

- Lüliti lukustamine pidevaks tööks
 - vajutage tööülilite A ②
 - vajutage põidlagla nupule B ②
 - vabastage tööüliliti
 - fikseeringu vabastamiseks vajutage uuesti tööülilite A ② ja vabastage see
- Lihvimislintide kiire vahetamine (CLIC-süsteem) ④
 - ! **eemaldage seade vooluvõrgust**
 - vabastage pingutushoob C
 - eemaldage lihvimislint
 - paigaldage uus lihvimislint, jälgides, et lindi siseküljel olevate noolte ja tööriistal oleva noole D suunad ühtiksid
 - suruge pingutushoob oma asendisse tagasi
 - ! **vahetage lihvimislinti õigeaegselt**
 - ! **ärge kunagi murdke lihvimislinti**
- Lindi automaatne tsentreerimine (ABC)
 - tsentreerib lindi tööriista sisselülitamisel automaatselt
 - hoiab lindi lihvimise ajal tsentreerituna
 Kui lint jookseb tööriistalt maha (põhjuseks enamasti lindi kehv kvaliteet), tuleks toimida järgnevalt
 - lülitage seade sisse
 - keerake kruvi E ② kuni lint kulgeb tööriista lameda küljega paralleelselt
 - kui lint jookseb ikka tööriistalt maha, võtke kasutusele uus lint
- Tolmu eemaldamine ⑤
 - tühjendage tolmu kotti G/F regulaarselt, see tagab optimaalse tolmuimevõimsuse säilimise
 - tööriista kasutamisel tolmuimejaga või ilma paigaldage tolmuimeja adapter H nagu joonisel näidatud (1215)
 - vajadusel puhastage ka filtrit vastavalt joonisele
 - ! **ärge kasutage tolmu kotti/tolmuimejat metalli lihvimisel**
- Tööriista hoidmine ja juhtimine ⑥
 - hoidke tööriista paralleelselt töödeldava pinnaga
 - ! **töötamise ajal hoidke tööriista kinni korpuse ja käepideme halli värvi osadest**
 - ! **ärge suruge tööriistale liigselt; laske lihvitaval pinnal enda heaks töötada**
 - vältimaks soovimatuid lihvimisjälgid ärges kallutage tööriista
 - hoidke õhutusavad J ② kinnikatmata

TÖÖJUHISED

- Töötle mata puitpindade lihvimisel liigutage tööriista sirgjoones piki puidu tekstuuri
- Muude materjalide lihvimisel liigutage tööriista ovaalselt üle materjali
- Kui soovite erinevaid pindu üksteise suhtes tasandada, paigaldage lihvimisraam K (SKIL lisatarvik 2610398244), vältimaks krimmustuste ja vagude teket, ja veenduge, et see on kindlalt kinni ⑦
- ! **lihvimisraam K muutub töö käigus väga kuumaks; ärge puutuge seda enne, kui see on maha jahutanud**
- Ärge kunagi töödeldge ühe ja sama lihvimislindiga puitu ja metalli

- Soovituslik liivapaberlinde karedus:
 - jäme - värvi eemaldamiseks; äärmiselt kareda puidu lihvimiseks
 - keskmine- toorpuidu või tavalise puidu lihvimiseks
 - peen- puidu silendamiseks; töötlemata puidu lihvimiseks; vana värviga kaetud pindade silendamiseks
- Kui töödeldav pind on kare, kasutage erineva karedusega lihvapabereid:
 - lihvide algul jämeda või keskmise karedusega lihvpaperiga
 - lõpetage vähe kareda lihvpaperiga
- Rohkem nõuandeid leiate aadressil www.skil.com

HOOLDUS/TEENINDUS

- Tööriist pole mõeldud professionaalseks kasutamiseks
- Hoidke seade ja toitejuhe alati puhtad (eriti õhutusavad J ②)
 - külgekleepunud lihvimistolm eemaldage pintsliga
 - ! **enne puhastamist eemaldage seade vooluvõrgust**
- Tööriist on hoolikalt valmistatud ja testitud; kui tööriist sellest hoolimata rikki läheb, tuleb see lasta parandada SKILi elektriliste käsitööriistade volitatud remonditöökojas
 - toimetage **lahimonteerimata** seade koos ostukviitungiga tarnijale või lähimasse SKILi lepingulisest töökotta (aadressid ja tööriista varuosade joonise leiate aadressil www.skil.com)

KESKKOND

- **Ärge visake kasutus kõlbmatuks muutunud elektrilisi tööriistu, lisatarvikuid ja pakendeid ära koos olmejäätmetega** (üksnes EL liikmesriikidele)
 - vastavalt Euroopa Parlamendi ja nõukogu direktiivile 2012/19/EÜ elektri- ja elektroonikaseadmete jäätmete kohta ning direktiivi nõuete kohaldamisele liikmesriikides tuleb kasutus kõlbmatuks muutunud elektrilised tööriistad koguda eraldi ja keskkonnasäästlikult korduvkasutada või ringlusse võtta
 - seda meenutab Teile sümbol ⑧

VASTAVUSDEKLARATSIOON C E

- Kinnitame ainuvastutajana, et punktis "Tehnilised andmed" kirjeldatud toode vastab järgmistele standarditele või normdokumentidele: EN 60745, EN 61000, EN 55014 vastavalt direktiivide 2004/108/EÜ, 2006/42/EÜ, 2011/65/EL
- **Tehniline toimik saadaval aadressil:** SKIL Europe BV (PT-SEU/ENG1), 4825 BD Breda, NL

Marijn van der Hoofden
Operations & Engineering

Olaf Dijkgraaf
Approval Manager




SKIL Europe BV, 4825 BD Breda, NL

09.12.2013

MÜRA/VIBRATSIION

- Vastavalt kooskõlas normiga EN 60745 läbi viidud mõõtmistele on tööriista helirõhk 87 dB(A) ja helitugevus 98 dB(A) (standardkõrvalekalle: 3 dB), ja vibratsioon 2, 1 m/s² (käe-randme-meetod; mõõtemääramatus $K = 1,5 \text{ m/s}^2$)
 - Tekkiva vibratsiooni tase on mõõdetud vastavalt standardis EN 60745 kirjeldatud standarditud testile; seda võib kasutada tööriistade võrdlemiseks ja tööriista kasutamisel ettenähtud töödeks esineva vibratsiooni esialgseks hindamiseks
 - tööriista kasutamisel muudeks rakendusteks või teiste/ halvasti hooldatud tarvikute kasutamisel võib vibratsioon märkimisväärselt **suurened**a
 - ajal, kui tööriist on väljalülitatud või on küll sisselülitatud, kuid tegelikult seda ei kasutata, võib vibratsioon märkimisväärselt **vähened**a
- ! enda kaitsmiseks vibratsiooni eest hoolitage tööriista ja selle tarvikuid korralikult, hoidke oma käed soojad ja tagage sujuv töökorraldus**

LV

Lentes slīpmašīna 1210/1215

IEVADS

- Šis instruments ir paredzēts efektīvai koka, plastmasas, metāla, špakteles un krāsotu virsmu sausajai slīpēšanai
- Šis instruments nav paredzēts profesionālai lietošanai
- Izlasiet un saglabājiet šo pamācību ③

TEHNISKIE PARAMETRI ①

INSTRUMENTA ELEMENTI ②

- A Ieslēdzējs
- B Ieslēdzēja fiksators
- C Svira slīpēšanas lentes nomainīšanai
- D Bultiņa
- E Skrūve lentes centrējuma regulēšanai
- F Putekļu savācējmaiss
- G Putekļu konteiners
- H Putekļsūcēja adapters
- J Ventilācijas atveres
- K Slīpēšanas rāmis

DROŠĪBA

VISPĀRĒJIE DARBA DROŠĪBAS NOTEIKUMI

UZMANĪBU! Rūpīgi izlasiet visus drošības noteikumus. Šeit sniegto drošības noteikumu un norādījumu neievērošana var izraisīt aizdegšanos un būt par cēloni elektriskajam triecienam vai nopietnam savainojumam. **Pēc izlasīšanas uzglabājiet šos noteikumus turpmākai izmantošanai.** Turpmākajā izklāstā lietotais apzīmējums "elektroinstruments" attiecas gan uz tīkla elektroinstrumentiem (ar elektrokabeļi), gan arī uz akumulatora elektroinstrumentiem (bez elektrokabeļi).

1) DROŠĪBA DARBA VIETĀ

- Sekojiēt, lai darba vieta būtu tīra un sakārtota.**
Nekārtīgā darba vietā vai sliktā apgaismojumā var viegli notikt nelaimes gadījums.
- Nelietojiet elektroinstrumentu eksplozīvu vai ugunsnedrošu vielu tuvumā un vietās ar paaugstinātu gāzes vai putekļu saturu gaisā.** Darba laikā instruments nedaudz dzirksteļo, un tas var izsaukt viegli degošu putekļu vai tvaiku aizdegšanos.
- Lietojot elektroinstrumentu, nelaujiet nepiederošām personām un jo īpaši bērniem tuvoties darba vietai.** Citu personu klātbūtne var novērst uzmanību, un tā rezultātā jūs varat zaudēt kontroli pār instrumentu.

2) ELEKTRODROŠĪBA

- Elektroinstrumenta kontaktdakšai jābūt piemērotai elektroīkla kontaktlīdzdai. Kontaktdakšas konstrukciju nedrīkst nekādā veidā mainīt. Nelietojiet kontaktdakšas salāgotājus, ja elektroinstruments caur kabeli tiek savienots ar aizsargzemējuma ķēdi.** Neizmaiņātas konstrukcijas kontaktdakša, kas piemērota kontaktlīdzdai, ļauj samazināt elektriskā trieciena saņemšanas risku.
- Darba laikā nepieskarieties sazemētiem priekšmetiem, piemēram, caurulēm, radiatoriem, plītiem vai ledusskapjiem.** Pieskaroties sazemētiem virsmām, pieaug risks saņemt elektrisko triecienu.
- Nelietojiet elektroinstrumentu lietus laikā, neturiet to mitrumā.** Mitrumam iekļūstot instrumentā, pieaug risks saņemt elektrisko triecienu.
- Nesiet un nepiekariet elektroinstrumentu aiz elektrokabeļa. Neraujiet aiz kabeļa, ja vēlaties atvienot instrumentu no elektroīkla kontaktlīdzdas. Sargājiet elektrokabeļi no karstuma, eļļas, asām šķautnēm un instrumenta kustīgajām daļām.** Bojāts vai samezģojies elektrokabeļis var būt par cēloni elektriskajam triecienam.
- Darbinot elektroinstrumentu ārpus telpām, izmantojiet tā pievienošanai vienīgi tādus pagarinātājkabeļus, kuru lietošana ārpus telpām ir atļauta.** Lietojot elektrokabeļi, kas piemērots darbam ārpus telpām, samazinās risks saņemt elektrisko triecienu.
- Ja elektroinstrumentu tomēr nepieciešams lietot vietās ar paaugstinātu mitrumu, izmantojiet tā pievienošanai noplūdes strāvas aizsargreleju.** Lietojot noplūdes strāvas aizsargreleju, samazinās risks saņemt elektrisko triecienu.

3) PERSONISKĀ DROŠĪBA

- Darba laikā saglabājiet paškontroli un rīkojieties saskaņā ar veselo saprātu. Pārtrauciet darbu, ja jūtaties noguris vai atrodaties alkohola, narkotiku vai medikamentu izraisītā reibumā.** Strādājot ar elektroinstrumentu, pat viens neuzmanības mirklis var būt par cēloni nopietnam savainojumam.
- Izmantojiet individuālos darba aizsardzības līdzekļus un darba laikā vienmēr nēsājiet aizsargbrilles.** Individuālo darba aizsardzības līdzekļu (putekļu maskas, neslīdošu apavu un aizsargķiveres vai ausu aizsargu) pielietošana atbilstoši elektroinstrumenta tipam un veicamā darba raksturam ļauj izvairīties no savainojumiem.

- c) **Nepieļaujiet elektroinstrumenta patvaļīgu ieslēgšanos. Pirms elektroinstrumenta pievienošanas elektrotīklam, akumulatora ievietošanas vai izņemšanas, kā arī pirms elektroinstrumenta pārnesšanas pārliecinieties, ka tas ir izslēgts.** Pārnēsot elektroinstrumentu, ja pirksts atrodas uz ieslēdzēja, kā arī pievienojot to elektrobarošanas avotam laikā, kad elektroinstrumentis ir ieslēgts, var viegli notikt nelaimes gadījums.
- d) **Pirms instrumenta ieslēgšanas neaizmirstiet izņemt no tā regulējošos instrumentus vai skrūvjatslēgas.** Patronatslēga vai skrūvjatslēga, kas instrumenta ieslēgšanas brīdī nav izņemta no tā, var radīt savainojumu.
- e) **Strādājot ar elektroinstrumentu, ieturiet stingru stāju. Darba laikā vienmēr saglabājiet līdzsvaru un centieties nepaslidēt.** Tas atvieglos instrumenta vadību neparedzētās situācijās.
- f) **Izvēlieties darbam piemērotu apģērbu. Darba laikā nenēsājiet brīvi plandošas drēbes un rotaslietas. Netuviniet matus, apģērbu un aizsargcimdus instrumenta kustīgajām daļām.** Vaļīgas drēbes, rotaslietas un gari mati var iekļerties instrumenta kustīgajās daļās.
- g) **Ja elektroinstrumenta konstrukcija ļauj tam pievienot ārējo putekļu uzsūkšanas vai savākšanas/uzkrāšanas ierīci, sekojiet, lai tā tiktu pievienota elektroinstrumentam un pareizi darbotos.** Pielietojot putekļu uzsūkšanu vai savākšanu/uzkrāšanu, samazinās to kaitīgā ietekme uz strādājošās personas veselību.
- 4) **ELEKTROINSTRUMENTU LIETOŠANA UN APKOPE**
- a) **Nepārslogojiet elektroinstrumentu. Katram darbam izvēlieties piemērotu instrumentu.** Elektroinstrumentus darbosies labāk un drošāk pie nominālās slodzes.
- b) **Nelietojiet elektroinstrumentu, ja ir bojāts tā ieslēdzējs.** Elektroinstrumentus, ko nevar ieslēgt un izslēgt, ir bīstams lietošanai un to nepieciešams remontēt.
- c) **Pirms elektroinstrumenta apkopes, regulēšanas vai darbinstrumenta nomainīšanas atvienojiet tā kontaktdakšu no barojošā elektrotīkla vai izņemiet no tā akumulatoru.** Šādi iespējams samazināt elektroinstrumenta nejaušas ieslēgšanas risku.
- d) **Elektroinstrumentu, kas netiek darbināts, uzglabājiet piemērotā vietā, kur tas nav sasniedzams bērniem un personām, kuras neprot rīkoties ar instrumentu.** Ja elektroinstrumentu lieto nekompetentas personas, tas var apdraudēt cilvēku veselību.
- e) **Rūpīgi veiciet elektroinstrumenta apkalpošanu. Pārbaudiet, vai kustīgās daļas darbojas bez traucējumiem un nav iespīlētas, vai kāda no daļām nav salauzta vai bojāta, vai katra no tām pareizi funkcionē un pilda tai paredzēto uzdevumu. Nodrošiniet, lai bojātās daļas tiktu savlaicīgi nomainītas vai remontētas pilnvarotā remontu darbnīcā.** Daudzi nelaimes gadījumi notiek tāpēc, ka elektroinstrumentus pirms lietošanas nav pienācīgi apkalpoti.
- f) **Savlaicīgi notīriet un uzasiniet griezošos darbinstrumentus.** Rūpīgi kopti instrumenti, kas apgādāti ar asiem griezējinstrumentiem, ļauj strādāt daudz ražīgāk un ir vieglāk vadāmi.

- g) **Lietojiet vienīgi tādus elektroinstrumentus, papildpiederumus, darbinstrumentus utt., kas paredzēti attiecīgajam pielietojuma veidam. Bez tam jāņem vērā arī konkrētie darba apstākļi un pielietojuma īpatnības.** Elektroinstrumentu lietošana citiem mērķiem, nekā to ir paredzējusi ražotājfirma, ir bīstama un var novest pie neparedzamām sekām.

5) APKALPOŠANA

- a) **Nodrošiniet, lai Instrumenta remontu veiktu kvalificēts personāls, nomainījam izmantojot oriģinālās rezerves daļas un piederumus.** Tikai tā iespējams panākt instrumenta ilgstošu un nevainojamu darbību bez atteikumiem.

DARBA DROŠĪBAS NOTEIKUMI SLĪPMAŠĪNĀM

- Izvairieties no instrumenta bojājumiem, ko var radīt apstrādājamajā priekšmetā esošās skrūves, naglas vai citi līdzīgi objekti; pirms darba uzsākšanas atbrīvojiet apstrādājamo materiālu no šādiem priekšmetiem
- Darba laikā sekojiet, lai elektrokabelis atrastos drošā attālumā no instrumenta kustīgajām daļām un stieptos prom no darba vietas virzienā uz aizmuguri
- **Nostipriniet apstrādājamo detaļu** (to ir drošāk nostiprināt ar spailēm vai skrūvspīlēm, nevis turēt rokā)
- Pirms instrumenta novietošanas izslēdziet tā elektrodzinēju un nogaidiet, līdz ir pilnīgi apstājušās visas instrumenta kustīgās daļas
- Lietojiet pilnīgi atītus un drošus pagarinātājkabeļus, kas paredzēti 16 A strāvai
- Elektriska vai mehāniska rakstura kļūmes gadījumā nekavējoties izslēdziet instrumentu un atvienojiet kabeļa kontaktdakšu no elektrotīkla
- Firma SKIL garantē instrumenta nevainojamu darbību tikai tad, ja tiek lietoti oriģinālie papildpiederumi
- Šo instrumentu nedrīkst izmantot personas, kas jaunākas par 16 gadiem
- Darba laikā instrumenta radītā trokšņa līmenis var pārsniegt 85 dB(A); lietojiet ausu aizsargus
- **Turiet instrumentu tikai aiz izolētas satvērvismas, tāpēc ka lente var skart paša instrumenta kabeli** (pārgriežot spriegumu nesošus vadus, šis spriegums var nonākt uz instrumenta metāla daļām un var radīt operatoram elektrisko triecienu)
- Ja darba laikā tiek pārgriezts vai citādi mehāniski bojāts instrumenta elektrokabelis, nepieskarieties tam, bet nekavējoties atvienojiet elektrokabeļa kontaktdakšu no barojošā elektrotīkla
- Neizmantojiet instrumentu, ja tam ir bojāts elektrokabelis; tā nomainīšanu drīkst veikt tikai pieredzējis speciālists
- Vienmēr pārliecinieties, ka spriegums, kas uzrādīts uz instrumenta marķējuma plāksnītes, atbilst padeves spriegumam elektrotīklā (230V vai 240V spriegumam paredzētie instrumenti var darboties arī no 220V elektrotīkla)
- Šis instruments nav paredzēts mitrai slīpēšanai
- **Neapstrādājiet materiālus, kas satur azbestu** (azbestam piemīt kancerogēnas īpašības)
- Materiāla (piemēram, svīnu saturošas krāsas, dažu koka šķirņu, minerālu un metāla) putekļi var būt kaitīgi (saskare ar putekļiem vai to ieelpošana var izraisīt alerģiskas reakcijas un/vai elpošanas ceļu saslimšanas operatoram vai klātesošajiem); **izmantojiet putekļu masku un putekļsūcēju, ja to iespējams pievienot**

- Dažu veidu putekļi ir klasificēti kā kancerogēni (piemēram, ozola vai dižskābarža putekļi), jo īpaši apvienojumā ar koksnes kondicionēšanas piedevām; **izmantojiet putekļu masku un putekļsūcēju, ja to iespējams pievienot**
- Ievērojiet ar putekļu savākšanu saistītos nacionālos noteikumus, kas attiecas uz apstrādājamiem materiāliem
- Slīpējot metālu, veidojas dzirksteles; šādā gadījumā neizmantojiet putekļu savācējmaisu/putekļu konteineru/putekļsūcēju un sekojiet, lai darba vietas tuvumā neatrastos citas personas vai ugunsnedroši materiāli
- Nepieskarieties kustīgajai slīplentei
- Nelietojiet nodilušas, ielplēstas vai ar apstrādājamo materiālu daļiņām stipri piesārņotas slīplentes
- Darba laikā nēsājiet aizsargcimdus un aizsargbrilles, uzvelciet pieguļošas drēbes un nosedziet matus ar saturošu galvassegu (ja jums ir gari mati)
- **Pirms instrumenta regulēšanas vai piederumu nomaiņas atvienojiet to no barojošā elektrotīkla**

DARBS

- Ieslēgšana/izslēgšana
 - lai ieslēgtu/izslēgtu instrumentu, nospiediet/atlaidiet ieslēdzēju A ②
 - ! **instrumentam jābūt ieslēgtam jau pirms slīpēšanas loksnes saskaršanās ar apstrādājama priekšmeta virsmu**
 - ! **pirms instrumenta izslēgšanas paceliet to no apstrādājamā priekšmeta virsmas**
 - Instrumenta ieslēgšana ilgstošai darbībai, fiksējot tā ieslēdzēju
 - nospiediet ieslēdzēju A ②
 - ar īkšķi nospiediet pogu B ②
 - atlaidiet ieslēdzēju
 - defiksējiet taustiņu, atkārtoti nospiežot un atlaižot ieslēdzēju A ②
 - Ātrā slīplentes nomaiņa (sistēma CLIC) ④
 - ! **atvienojiet instrumentu no elektrotīkla**
 - paceliet sviru C
 - noņemiet slīplenti
 - ievietojiet jauno slīplenti, sekojot, lai uz slīplentes iekšējās virsmas attēloto bultu virziens sakristu ar bultas D virzienu uz instrumenta
 - nolaidiet sviru atpakaļ savā vietā
 - ! **savlaicīgi nomainiet slīplentes**
 - ! **nesalociet slīplentes**
 - Automātiskā slīplentes centrēšana (ABC)
 - ieslēdzot instrumentu, slīplente tiek automātiski iecentrēta
 - slīplentes centrējums tiek nodrošināts arī slīpēšanas laikā
- Gadījumā, ja instrumenta slīplente regulāri novirzās, (visbiežāk tam par iemeslu ir lietojamās slīplentes zemā kvalitāte), rīkojieties šādi
- ieslēdziet instrumentu
 - regulējot skrūvi E ②, panāciet, lai slīplente kustētos paralēli instrumenta plakanaļai pusei
 - ja slīplente turpina novirzīties no vadotnes centra, nomainiet to pret jaunu

- Putekļu uzsūkšana ⑤
 - lai nodrošinātu optimālu putekļu uzsūkšanu, regulāri iztukšojiet konteineru G/savācējmaisu F
 - lietojot slīpmašīnu ar vai bez putekļsūcēja, pievienojiet instrumentam putekļsūcēja adapteru H, kā parādīts attēlā (1215)
 - ja nepieciešams, iztīriet arī filtru, kā parādīts attēlā
 - ! **nelietojiet putekļu konteineru/putekļu savācējmaisu/putekļsūcēju, slīpējot metālu**
- Instrumenta turēšana un vadīšana ⑥
 - darba laikā virziet instrumentu paralēli apstrādājamajai virsmai
 - ! **darba laikā vienmēr turiet instrumentu aiz pelēkās krāsas noturvirsmas(ām)**
 - ! **neizdariet uz instrumentu pārāk lielu spiedienu; ļaujiet slīpēšanas loksnei darīt darbu jūsu vietā**
 - lai novērstu nevēlamu švīku veidošanos uz apstrādājamās virsmas, darba laikā nenolieciet instrumentu sānu virzienā
 - nenosprostojiet instrumenta ventilācijas atveres J ②

PRAKTISKI PADOMI

- Slīpējot nepārkļūtas koka virsmas, virziet instrumentu taisniem gājiem koksnes šķiedru garenvirzienā
- Slīpējot visas pārējās virsmas, pārvietojiet instrumentu ovālām kustībām pa apstrādājamā materiāla virsmu
- Uzlieciet slīpēšanas rāmi K (SKIL papildpiederums 2610398244), lai nolīdzinātu virsmas, neradot skrambas un rievas, un pārliecinieties, ka tas ir droši nostiprināts ⑦
- ! **darba gaitā slīpēšanas rāmis K stipri sakarst, tāpēc nepieskarieties tam, pirms rāmis nav atdzisis**
- Nelietojiet metālu un koka virsmu slīpēšanai vienu un to pašu slīplenti
- Ieteicamais slīpēšanas lenšu rupjums:

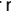
rupja-	krāsas noņemšanai no virsmām; ļoti raupjas koksnes slīpēšanai
vidēja-	raupjas koksnes vai lielu koka virsmu slīpēšanai
smalka-	koka virsmu nogludināšanai; nekrāsotu koka virsmu gala apstrādei; vecu krāsojuma slāņu nogludināšanai
- Raupju virsmu slīpēšanu veiciet pakāpeniski, izmantojot dažādas graudainības slīpēšanas loksnes:
 - uzsāciet slīpēšanu, izmantojot slīpēšanas loksnes ar rupju vai vidēju graudainību
 - nobeidziet slīpēšanu, izmantojot slīpēšanas loksnes ar smalku graudainību
- Papildu ieteikumi ir sniegti datortīkla vietnē www.skil.com

APKALPOŠANA / APKOPE

- Šis darbarīks nav paredzēts profesionālai lietošanai
- Uzturiet tīru instrumentu un elektrokabēli (īpaši ventilācijas atveres J ②)
 - ar suku notīriet no instrumenta tam pielipušos putekļus
- ! **pirms instrumenta tīrīšanas atvienojiet to no elektrotīkla**
- Ja, neraugoties uz augsto izgatavošanas kvalitāti un rūpīgo pērcēzošanas pārbaudi, instruments tomēr sabojājas, tas jānogādā remontam firmas SKIL pilnvarotā elektroinstrumentu remonta darbnīcā

- nogādājiet instrumentu **neizjauktā veidā** kopā ar iegādes dokumentiem tuvākajā tirdzniecības vietā vai firmas SKIL pilnvarotā pēciegādes apkalpošanas un remonta iestādē (adreses un instrumenta apkalpošanas shēma ir sniegta interneta vietnē www.skil.com)

APKĀRTĒJĀS VIDES AIZSARDZĪBA

- **Neizmetiet elektroiekārtas, piederumus un iesaiņojuma materiālus sadzīves atkritumos** (tikai ES valstīm)
 - saskaņā ar Eiropas Savienības direktīvu 2012/19/ES par nolietotajām elektriskajām un elektroniskajām iekārtām un tās atspoguļojumiem nacionālajā likumdošanā, nolietotās elektroiekārtas ir jāsavāc, jāizjauca un jānogādā atsevišķai pārstrādei apkārtējai videi nekaitīgā veidā
 - īpašs simbols  atgādina par nepieciešamību izstrādājumus utilizēt videi nekaitīgā veidā

ATBILSTĪBAS DEKLARĀCIJA CE

- Mēs ar pilnu atbildību paziņojam, ka sadaļā "Tehniskie parametri" aprakstītais izstrādājums atbilst šādiem standartiem vai normatīvajiem dokumentiem: EN 60745, EN 61000, EN 55014, kā arī direktīvām 2004/108/EK, 2006/42/EK, 2011/65/ES
- **Tehniskā dokumentācija no:** SKIL Europe BV (PT-SEU/ENG1), 4825 BD Breda, NL

Marijn van der Hoofden Olaf Dijkgraaf
Operations & Engineering Approval Manager




SKIL Europe BV, 4825 BD Breda, NL

09.12.2013

TROKSNIS/VIBRĀCIJA

- Saskaņā ar standartu EN 60745 noteiktais instrumenta radītā trokšņa skaņas spiediena līmenis ir 87 dB(A) un skaņas jaudas līmenis ir 98 dB(A) (pie tipiskās izkliedes 3 dB), un vibrācijas paātrinājums ir 2,1 m/s² (roku-delnu metode; izkliede K = 1,5 m/s²)
 - Vibrācijas līmenis ir noteikts, izmantojot standartā EN 60745 paredzēto procedūru; to var izmantot, lai salīdzinātu instrumentus un provizoriski izvērtētu vibrācijas iedarbību, lietojot instrumentu minētajiem mērķiem
 - instrumenta izmantošana citiem mērķiem vai ar citiem vai nepietiekami koptiem piederumiem var ievērojami **palielināt** kopējo vibrācijas iedarbības pakāpi
 - laika periodi, kad instruments ir izslēgts vai arī ir ieslēgts, taču darbs ar to nenotiek, var ievērojami **samazināt** kopējo vibrācijas iedarbības pakāpi
- ! pasargājiet sevi no vibrācijas iedarbības, veicot instrumenta un tā piederumu tehnisko apkopi, novēršot roku atdzīšanu un pareizi organizējot darbu**

LT

Juostos šlifuoklis

1210/1215

ĪVADAS

- Šis prietaiss skirtas sausam šlīfavimui ir ypač gerai nuvalo medinius, plastikinius, metalinius, glaištuytus ir dažytus paviršius
- Šis prietaiss neskirtas profesionaliam naudojimui
- Perskaitykite ir išsaugokite šią naudojimo instrukciją ^③

TECHNINIAI DUOMENYS ①

PRIETAISO ELEMENTAI ②

- A Įjungimo/išjungimo jungiklis
- B Rankenėlė įjungimo/išjungimo jungikliui užrakinti
- C Svertas šlīfavimo juostai pakeisti
- D Rodyklė
- E Varžtas juostos centravimui reguliuoti
- F Dulkių surinkimo maišelis
- G Dulkių surinkimo dėžutė
- H Dulkių nusiurbimo atvamzdį
- J Ventiliacinės angos
- K Šlīfavimo remelis

SAUGA

BENDROSIOŠ DARBO SAUGOS INSTRUKCIJOS

⚠ DĖMESIO! Perskaitykite visas šias saugos nuorodas ir reikalavimus. Jei nepaisysite žemiau pateiktų saugos nuorodų ir reikalavimų, gali trenkti elektros smūgis, kilti gaisras ir/arba galite sunkiai susižaloti arba sužaloti kitus asmenis. **Išsaugokite šias saugos nuorodas ir reikalavimus, kad ir ateityje galėtumėte jais pasinaudoti.** Toliau pateiktame tekste vartojama sąvoka "elektrinis įrankis" apibūdina įrankius, maitinamus iš elektros tinklo (su maitinimo laidu), ir akumuliatorinius įrankius (be maitinimo laido).

1) DARBO VIETOS SAUGUMAS

- a) **Darbo vieta turi būti švari ir tvarkinga.** Tinklas ar blogai apšviesta darbo vieta gali tapti nelaimingų atsitikimų priežastimi.
- b) **Nedirbkite tokioje aplinkoje, kur yra degių skysčių, dujų ar dulkių.** Elektriniai įrankiai gali kibirkščiuoti, o nuo kibirkščių dulkės arba susikaupę garai gali užsidegti.
- c) **Dirbdami su elektriniu įrankiu neleiskite šalia būti žiūrovams, vaikams ir lankytojams.** Nukreipę dėmesį į kitus asmenis galite nebesuvaldyti prietaiso.

2) ELEKTROSAUGA

- a) **Maitinimo laido kištukas turi atitikti tinklo rozetės tipą.** Kištuko jokiu būdu negalima modifikuoti. **Nenaudokite jokių kištuko adapterių su žemintais prietaisais.** Originalūs kištukai, tiksliai tinkantys elektros tinklo rozetei, sumažina elektros smūgio pavojų.
- b) **Venkite kūno kontakto su žemintais paviršiais, tokiais kaip vamzdžiai, šildytuvai, viryklės ar šaldytuvai.** Egzistuoja padidinta elektros smūgio rizika, jei Jūsų kūnas bus žemintas.

- c) Saugokite prietaisą nuo lietaus ir drėgmės. Jei vanduo patenka į elektrinį prietaisą, padidėja elektros smūgio rizika.
- d) **Nenaudokite maitinimo laido ne pagal paskirtį, t. y. neneškite prietaiso paėmę už laido, nekabinkite prietaiso už laido, netraukite už jo, norėdami išjungti kištuką iš rozetės. Laidą klokite taip, kad jo neveiktų karštis, jis neišsitemptų alyva ir jo nepažeistų aštrios detalės ar judančios prietaiso dalys.** Pažeisti arba susipynę laidai gali tapti elektros smūgio priežastimi.
- e) **Jei su elektriniu įrankiu dirbate lauke, naudokite tik tokius ilginimo kabelius, kurie tinka lauko darbams.** Naudojant lauko darbams pritaikytus ilginimo kabelius, sumažinamas elektros smūgio pavojus.
- f) **Jei su elektriniu įrankiu niešvengiamai reikia dirbti drėgnoje aplinkoje, naudokite žemiminimo grandinės pertraukiklį.** Naudojant žemiminimo grandinės pertraukiklį, sumažėja elektros smūgio pavojus.

3) ŽMONIŲ SAUGA

- a) **Būkite atidūs, sutelkite dėmesį į tai, ką Jūs darote ir, dirbdami su elektriniu įrankiu, vadovaukitės sveiku protu. Nedirbkite su prietaisu, jei esate pavargę arba vartojote narkotikus, alkoholį ar medikamentus.** Akimirksnio neatidumas naudojant prietaisą gali tapti rimtų sužalojimų priežastimi.
- b) **Naudokite asmenines apsaugos priemones ir visuomet užsidėkite apsauginius akinius.** Naudojant asmenines apsaugos priemones, pvz., respiratorių ar apsauginę kaukę, neslystančius batus, apsauginį šalną, klausos apsaugos priemones ir kt., rekomenduojamas dirbant su tam tikros rūšies įrankiais, sumažėja rizika susižeisti.

- c) **Saugokitės, kad neįjungtumėte prietaiso atsitiktinai. Prieš prijungdami elektrinį įrankį prie elektros tinklo ir/arba akumuliatoriaus, prieš pakeldami ar nešdami įsitikinkite, kad jis yra išjungtas.** Jeigu nešdami elektrinį įrankį pirštą laikysite ant jungiklio arba prietaisą įjungsitė į elektros tinklą, kai jungiklis yra įjungtas, gali įvykti nelaimingas atsitikimas.
- d) **Prieš įjungdami prietaisą pašalinkite reguliavimo įrankius arba veržlių raktus.** Prietaiso besisukančioje dalyje esantis įrankis ar raktas gali tapti sužalojimų priežastimi.
- e) **Nepervertinkite savo galimybių. Dirbdami atsistokite patikimai ir visada išlaikykite pusiausvyrą.** Patikima stovėseną ir tinkama kūno laikysena leis geriau kontroliuoti prietaisą netikėtose situacijose.
- f) **Dėvėkite tinkamą aprangą. Nedėvėkite plačių drabužių ir papuošalų. Saugokite plaukus, drabužius ir pirštines nuo besisukančių prietaiso dalių.** Laisvus drabužius, papuošalus bei ilgus plaukus gali įtraukti besisukančios dalys.
- g) **Jei yra numatyta galimybė prijungti dulkių nusiurbimo ar surinkimo įrenginius, visada įsitikinkite, ar jie yra prijungti ir ar teisingai naudojami.** Naudojant dulkių nusiurbimo įrenginius sumažėja kenksmingas dulkių poveikis.

4) RŪPESTINGA ELEKTRINIŲ ĮRANKIŲ PRIEŽIŪRA IR NAUDOJIMAS

- a) **Neperkraukite prietaiso. Naudokite Jūsų darbui tinkamą elektrinį įrankį.** Su tinkamu elektriniu įrankiu Jūs dirbsite geriau ir saugiau, jei neviršysite nurodyto galimumo.

- b) **Nenaudokite elektrinio įrankio su sugedusiu jungikliu.** Elektrinis įrankis, kurio nebegalima įjungti ar išjungti, yra pavojingas ir jį reikia remontuoti.
- c) **Prieš reguliuodami prietaisą, keisdami darbo įrankius ar prieš valydami prietaisą, iš elektros tinklo lizdo ištraukite kištuką ir/arba išimkite akumuliatorių.** Ši saugumo priemonė apsaugos jus nuo netikėto prietaiso įsijungimo.
- d) **Nenaudojamą prietaisą sandėliuokite vaikams ir nemokantiems juo naudotis asmenims neprieinamoje vietoje.** Elektriniai įrankiai yra pavojingi, kai juos naudoja nepatyrę asmenys.
- e) **Rūpestingai prižiūrėkite prietaisą. Tikrinkite, ar besisukančios prietaiso dalys tinkamai veikia ir niekur nekliūva, ar nėra sulūžusių ar šiaip pažeistų dalių, kurios įtakotų prietaiso veikimą.** Prieš vėl naudojant prietaisą pažeistos prietaiso dalys turi būti suremontuotos. Daugelio nelaimingų atsitikimų priežastis yra blogai prižiūrimi elektriniai įrankiai.
- f) **Pjovimo įrankiai turi būti aštrūs ir švarūs.** Rūpestingai prižiūrėti pjovimo įrankiai su aštriomis pjaunamosiomis briaunomis mažiau stringa ir juos yra lengviau valdyti.
- g) **Elektrinį įrankį, papildomą įrangą, darbo įrankius ir t. t. naudokite taip, kaip nurodyta šioje instrukcijoje. Taip pat atsižvelkite į darbo sąlygas bei atliekamo darbo pobūdį.** Naudojant elektrinius įrankius ne pagal jų paskirtį galima sukelti pavojingas situacijas.

5) APTARNAVIMAS

- a) **Prietaisą turi remontuoti tik kvalifikuotas specialistas ir naudoti tik originalias atsargines dalis.** Taip galima garantuoti, jog prietaisas išliks saugus.

SAUGOS NUORODOS DIRBANTIEMS SU ŠLIFAVIMO PRIETAISAIS

- Saugokite, kad nepažeistumėte prietaiso į ruošinįje esančius varžtus, vinis ir pan; prieš pradėdami darbą juos pašalinkite
- Pasirūpinkite, kad maitinimo kabelis nebūtų arti besisukančių prietaiso dalių; klokite jį kuo toliau už prietaiso
- **Saugiai laikykite tvirtinamą dirbinį** (dirbinį, kuris segamas ar kalamas kabų kalimo įrankiais, saugiau laikyti spaustuvu nei ranka)
- Prieš padėdami prietaisą jį išjunkite ir palaukite, kol visos besisukančios jo dalys visiškai sustos
- Naudodami ilginamuosius kabelius atkreipkite dėmesį į tai, kad kabelis būtų iki galo išvyniotas ir būtų pritaikytas 16 A elektros srovei
- Atsiradus mechaninio ar elektrinio pobūdžio trukdžiams, tuojau pat išjunkite prietaisą ir ištraukite kištuką iš elektros tinklo lizdo
- SKIL gali garantuoti neprikaištingą prietaiso veikimą tik tuo atveju, jei naudojama originali papildoma įranga ir priedai
- Šį prietaisą turėtų naudoti tik asmenys, kuriems 16 ir daugiau metų
- Darbo metu triukšmo lygis gali viršyti 85 dB(A); naudoti klausos apsaugos priemones
- **Elektrinį prietaisą laikykite už izoliuotų rankenų, nes juosta gali kliudyti paties prietaiso maitinimo laidą** (įpjovus laidą, kuriuo teka elektros srovė, atvirose

metalinėse elektrinio prietaiso dalyse atsiranda įtampa ir naudotojas gali gauti elektros smūgį)

- Jei dirbant bus pažeistas ar nutrauktas kabelis, būtina noliečiant kabelio tuojau pat ištraukti kištuką iš elektros tinklo lizdo
- Prietaisą su pažeistu kabeliu naudoti draudžiama; jį turi pakeisti kvalifikuotas elektrikas
- Visada patikrinkite, ar elektros tinklo įtampa sutampa su įtampos dydžiu, nurodytu prietaiso vardinėje lentelėje (prietaisus su nurodyta įtampa 230V ir 240V galima jungti į 220V įtampos elektros tinklą)
- Šis prietaisas netinka ruošiniams šlifuoti šlapiuoju būdu
- **Draudžiama apdirbti medžiagas, kurių sudėtyje yra asbesto** (asbestas pasižymi vėžį sukeliančiu poveikiu)
- Kai kurių medžiagų, kaip antai dažų, kurių sudėtyje yra švino, kai kurių medžių rūšių medienos, mineralų ir metalo dulksės gali būti kenksmingos (kontaktas su šiomis dulksėmis arba įkvėptos dulksės gali sukelti operatoriui arba šalia esantiems žmonėms alergines reakcijas ir/arba kvėpavimo sistemos susirgimus); **mūvėkite priešdulkinę puskaukę arba dirbdami naudokite dulkių ištraukimo įrenginį, jei jį galima prijungti**
- Kai kurių rūšių dulksės priskiriamos kancerogeninėms (pvz., ažuolo arba buko medienos dulksės), ypač susimaišiusios su medienos taurinimui naudojamais priedais; **mūvėkite priešdulkinę puskaukę arba dirbdami naudokite dulkių ištraukimo įrenginį, jei jį galima prijungti**
- Vadovaukitės Jūsų šalyje taikomų direktyvų reikalavimais, skirtais medžiagoms, su kuriomis norite dirbti
- Šlifuojant metalą kyla kibirkštys; nenaudokite dulkių surinkimo maišelių/dulkių surinkimo dėžutės/dulkių siurblio ir pasirūpinkite, kad Jums dirbant aplink nebūtų kitų asmenų, kuriuos galėtų sužeisti lekiančios kibirkštys, o taip pat - degių medžiagų
- Nelieskite besisukančios šlifavimo popieriaus juostos
- Draudžiama naudoti nusidėvėjusias, įtrūkusias ar labai užterštas šlifavimo popieriaus juostas
- Užsidėkite apsauginius pirštines, užsidėkite apsauginius akinius, dėvėkite priglundusius drabužius ir apsauginę kepuraitę (jei Jūsų plaukai ilgi)
- **Prieš reguliuojant prietaisą arba keičiant darbo įrankius, ištraukite kištuką iš el. tinklo lizdo**

NAUDOJIMAS

- Įjungimo/išjungimo jungiklis
 - prietaisas įjungiamas/išjungiamas nuspaudžiant/atleidžiant jungiklį A ②
- ! **visų pirma įjunkite prietaisą ir tik po to pradėkite šlifuoti, t.y. šlifavimo plokštė ruošinį turi paliesti prietaisui esant jau įjungtam**
- ! **prieš išjungdami prietaisą atitraukite jį nuo ruošinio**
- Jungiklio fiksavimas ilgalaikiam darbui
 - nuspauskite jungiklį A ②
 - nykščiu nuspauskite mygtuką B ②
 - atleiskite jungiklį
 - fiksavimą galite išjungti vėl nuspausdami jungiklį A ② ir jį atleisdami

- Greitas šlifavimo juostos pakeitimas (sistema CLIC) ④
 - ! **ištraukite kištuką iš elektros lizdo**
 - atlaisvinkite svirtį C
 - išimkite šlifavimo juosta
 - įdėkite naują šlifavimo juosta; vidinėje juostos pusėje esančių rodyklių kryptis turi sutapti su ant prietaiso esančia rodykle D
 - gražinkite svirtį atgal
 - ! **laiku pakeiskite šlifavimo juosta**
 - ! **šlifavimo juostų nelankstykite**
- Automatinis juostos centravimas (ABC)
 - Įjungus prietaisą, juosta centruojasi automatiškai
 - šlifavimo metu juosta visuomet išlaikoma reikiamoje padėtyje
- Jei juosta vis tik nuslenka nuo ritinėlio (tai gali atsitikti naudojant prastos kokybės juostas), reikia sistemą sureguliuoti iš naujo
 - įjunkite prietaisą
 - sukite varžtą E ② tol, kol šlifavimo juostos kraštas atsidurs maždaug ties šlifavimo plokštumos kraštu juostos uždėjimo pusėje
 - jei juosta vis tiek nuslenka, pakeiskite šlifavimo juosta
- Dulkių nusiurbimas ⑤
 - reguliariai išvalykite dėžutę G/maišelį F, tuomet dulkių nusiurbimas bus optimalus
 - naudodami prietaisą su dulkių siurbliu ar be jo, dulkių nusiurbimo atvamzdį H sumontuokite taip, kaip parodyta paveikslėlyje (1215)
 - prireikus, kaip parodyta paveikslėlyje, išvalykite filtro
- ! **naudokite dulkių surinkimo dėžutės/dulkių surinkimo maišelio/dulkių siurblio šlifuodami metalą**
- Prietaiso laikymas ir valdymas ⑥
 - prietaisą laikykite lygiagrečiai apdirbamam paviršiui
 - ! **dirbdami laikykite prietaisą už pilkos spalvos suėdami vietos(-ų)**
 - ! **nepauskite prietaiso per stipriai; leiskite šlifavimo plokštei atlikti darbą už jus**
 - nevartykite prietaiso, nes šlifuojant gali likti įbrėžimų
 - ventiliacinės angas J ② laikykite neuždengtas

NAUDOJIMO PATARIMAI

- Rupus neapdirbtų medinių paviršių šlifavimas: šlifuokite tiesiais judesiais išilgai plaušo
- Kitų paviršių šlifavimas: šlifuokite ovaliais judesiais
- Sumontuokite šlifavimo rėmelį K (SKIL papildoma įranga 2610398244) paviršiams lyginti be įbrėžimų ar griovielių, ir įsitinkinkite, kad jis yra patikimai įstatytas ⑦
- ! **darbo metu šlifavimo rėmelis K labai įkaista; nelieskite jų rankomis, kol neatauš**
- Niekuoomet ta pačia juosta nešlifuo­kite io ir metalo
- Rekomenduojami šlifavimo juostos rupumai:
 - didelis- jei reikia pašalinti dažus; jei šlif­juo­jate ypač šiurkštų medį
 - vidutinis- jei šlif­juo­jate žalią medieną arba paprastą medieną
 - smulkus- glotniam medienos šlifavimui; jei glotniai šlif­juo­jate gryną medieną; jei lyginate seniai dažytus paviršius

- Шлифуodami grubius paviršius naudokite skirtingo rupumo šlifavimo popierių:
 - iš pradžių šliuokite rupiu arba vidutinio rupumo popieriumi
 - baigdami šliuoti naudokite smulkaus rupumo popierių
- Daugiau patarimų rasite internete www.skil.com

PRIEŽIŪRA / SERVISAS

- Šis prietaisas neskirtas profesionaliam naudojimui
- Periodiškai valykite prietaisą ir kabelį (ypač ventiliacines angas J ②)
 - susikaupusias šlifavimo dulkes išvalykite šepetėliu
 - ! **prieš valydami ištraukite kištuką iš elektros tinklo lizdo**
- Jeigu prietaisas, nepaisant gamykloje atliekamo kruopštaus gamybos ir kontrolės proceso, vis dėlto sugestų, jo remontas turi būti atliekamas įgaliotose SKIL elektrinių įrankių remonto dirbtuvėse
 - **neišardyta** prietaisą kartu su pirkimo čekiu siųskite tiekėjui arba į artimiausią SKIL firmos įgaliotą elektros prietaisų techninio aptarnavimo tarnybą (adresus bei atsarginių dalių brėžinius rasite www.skil.com)

APLINKOSAUGA

- **Nemeskite elektrinių įrankių, papildomos įrangos ir pakuočių į buitinių atliekų konteinerius** (galioja tik ES valstybėms)
 - pagal ES Direktyvą 2012/19/EG dėl naudotų elektrinių ir elektroninių prietaisų atliekų utilizavimo ir pagal vietinius valstybės įstatymus atitarnavę elektriniai įrankiai turi būti surenkami atskirai ir gabenami į antrinių žaliavų tvarkymo vietas, kur jie turi būti sunaikinami ar perdirbami aplinkai nekenksmingu būdu
 - apie tai primins simbolis ⑧, kai reikės išmesti atitarnavusį prietaisą

ATITIKTIKTES DEKLARACIJA CE

- Atsakingai pareiškiam, kad skyriuje "Techniniai duomenys" aprašytas gaminyje atitinka žemiau pateiktus standartus ir norminius dokumentus: EN 60745, EN 61000, EN 55014 pagal direktyvų 2004/108/EB, 2006/42/EB, 2011/65/ES reikalavimus
- **Techninė byla laikoma:** SKIL Europe BV (PT-SEU/EN61), 4825 BD Breda, NL

Marijn van der Hoofden
Operations & Engineering

Olaf Dijkgraaf
Approval Manager

SKIL Europe BV, 4825 BD Breda, NL

09.12.2013

TRIUKŠMINGUMAS/VIBRACIJA

- Šio prietaiso triukšmingumas buvo išmatuotas pagal EN 60745 reikalavimus; keliamo triukšmo garso slėgio lygis siekia 87 dB(A) ir akustinio galingumo lygis 98 dB(A) (standartinis nuokrypis: 3 dB), ir vibracijos pagreitis rankos plaštakos srityje tipiniu atveju yra mažesnis, kaip $2,1 \text{ m/s}^2$ (paklaida $K = 1,5 \text{ m/s}^2$)

- Vibracijos sklaidos lygis išmatuotas pagal standarte EN 60745 išdėstytus standartizuoto bandymo reikalavimus; ši vertė gali būti naudojama vienam įrankiui palyginti su kitu bei išankstinaim vibracijos poveikiui įvertinti, kai įrankis naudojamas paminėtais būdais
 - naudojant įrankį kitokiais būdais arba su kitokiais bei netinkamai prižiūrimais priedais, gali žymiai **padidėti** poveikio lygis
 - laikotarpiams, kai įrankis išjungtas arba yra įjungtas, tačiau juo nedirbama, gali žymiai **sumažėti** poveikio lygis
- ! **apsisaugokite nuo vibracijos poveikio prižiūređami įrankį ir jo priedus, laikydami rankas šiltai ir derindami darbo ciklus su pertraukėlėmis**

MK

Брусилка со појас

1210/1215

УПАТСТВО

- Овој алат е наменет за суво брусење и фина обработка на дрво, пластика, метал и гитувани и обоени површини
- Овој алат не е наменет за професионална употреба
- Внимателно прочитајте го и зачувајте го ова упатство за ракување ③

ТЕХНИЧКИ ПОДАТОЦИ ①

ЕЛЕМЕНТИ НА АЛАТОТ ②

- A Прекинувач за вклучување/исклучување
- B Копче за блокирање на прекинувачот за вклучување/исклучување
- C Рачка за промена на брусната хартија
- D Стрелка
- E Шаф за центрирање на брусната хартија
- F Кеса за прашина
- G Кутија за прашина
- H Адаптер за правосмукалата
- J Отвори за вентилација
- K Брусна рамка

БЕЗБЕДНОСТ

ОПШТИ УПАТСТВА ЗА БЕЗБЕДНОСТ

⚠ ПРЕДУПРЕДУВАЊЕ! Сите упатства мора да се прочитаат. Непочитување на долу наведените упатства може да предизвика струен удар, пожар и/или тешки повреди. **Чувајте ги сите предупредувања и напаствија за во иднина.** Поимот "електричен алат", кој се користи во понатамошниот текст, се однесува на вашиот електричен алат (со приклучен кабел) и на електрични алати со погон на батерија (без приклучен кабел).

1) БЕЗБЕДНОСТ НА РАБОТНОТО МЕСТО

- Одржувајте го вашето работно место чисто и уредно.** Неуреден или темен работен простор може да предизвикаат незгоди.
- Немојте да работите со уредот во средина во која има опасност од експлозија, во која има**

запаливи течности, гасови и прашина.

Електричните алати произведуваат искри кои можат да запалат прашина или пара.

- c) **За време на употребата на електричниот алат, децата и останатите лица држете ги подалену од местото на работите.** Одржавање, би можеле да изгубите контрола врз уредот.

2) ЕЛЕКТРИЧНА СИГУРНОСТ

- a) **Утинач мора да одговара на приклучокот. Никане не смее да се прават измени на штекерот. Не користете адаптерски штекер заедно со уредот кој е заштитно заземјен.** Не променети штекери и соодветни приклучоци го намалуваат ризикот од електричен удар.

- b) **Избегнувајте допир на телото со заземјени површини, како што се цевки, радијатори, рерни и фрижидери.** Постои зголемена опасност од струен удар, доколку Вашето тело е заземјено.

- c) **Чувајте го уредот подалену од дожд и влага.**

Продирањето на вода во електричниот уред ја зголемува опасноста од струен удар.

- d) **Не злоупотребувајте го приклучниот кабел за носење, бесење на уредот или за извлекување на штекерот од мрежниот приклучок. Чувајте го кабелот подалену од топлина, масло, остри рабови или деловите на апаратот кои се движат.** Оштетени или заплеткани кабли ја зголемуваат опасноста од струен удар.

- e) **Кога го употребувате полначот надвор, користете продолжен кабел соодветен за работа на отворен простор ја намалува опасноста од струен удар.**

- f) **Доколку не може да се избегне работа со електричниот алат во влажна средина, користете прекинувач за струјна заштита при технички проблеми.** Употребата на прекинувачот за струјна заштита при технички проблеми го намалува ризикот од електричен удар.

3) БЕЗБЕДНОСТ НА ЛУЃЕ

- a) **Бидете внимателни, внимавајте што правите и постапувајте внимателно додека работите со електричниот алат. Не работете со уредот доколку сте уморни или под дејство на дрога, алкохол или лекови.** Еден момент на невнимание при употребата може да доведе до сериозни повреди.

- b) **Носете ја личната заштитна опрема и секогаш носете заштитни очила.** Носењето на личната заштитна опрема, како што е маската за прашина, безбедносната облека која не се лизга, заштитен шлем или штитник за слух, зависно од видот и примената на електричниот алат, ја намалува опасноста од повреда.

- c) **Избегнувајте невнимателно вклучување за време на работата. Осигурајте се прекинувачот да биде во “OFF” позиција пред да го ставите штекерот во приклучокот.** Доколку го носите електричниот алат со прстот на прекинувачот или го приклучувате апаратот кој е приклучен со напојување на струја, може да предизвикате незгоди.

- d) **Пред вклучување на уредот, тргнете ги алатите за подесување или клучот за навртување.** Алатот или клучот кој се наоѓа во вртливост дел на уредот, може да предизвика незгода.

- e) **Не ги преченувајте своите способности. Завземете сигурен и стабилен став и во секој момент одржувајте рамнотежа.** На тој начин можете подобро да го контролирате уредот во неочекувани ситуации.

- f) **Носете соодветна облека. Не носете широка облека или нанит. Косата, облеката и раванците држете ги подалену од деловите кои се движат.** Комотната облека, накитот или долгата коса може да бидат фатени во деловите кои се движат.

- g) **Доколку може да се монтираат направи за вшмукување и фаѓање прашина, проверете дали се вклучени и дали можат исправно да се користат.** Примената на овие направи ја намалува опасноста од пращината.

4) ВНИМАТЕЛНА УПОТРЕБА И РАКУВАЊЕ СО ЕЛЕКТРИЧНИТЕ АЛАТИ

- a) **Не го преоптеретувајте уредот. При вашата работа користете го предвидениот електричен алат за таа употреба.** Со соодветниот електричен алат ќе работите подобро и посигурно во наведената функционална област.

- b) **Не користете електричен алат чиј прекинувач е неисправен.** Електричниот алат кој повеќе не може да се вклучува и исклучува е опасен и мора да се поправи.

- c) **Извлечете го штекерот од приклучокот пред извршување на било какви подесувања на апаратот, замена на приборот или складирање.** Со овие мерки на внимателност ќе се избегне невнимателното вклучување на уредот.

- d) **Тргнете го електричниот алат кој не го користите од допирот на децата. Не допуштајте работа со уредот на лица кои не се запознаени со него или кои го немаат прочитано ова упатство.**

Електричните алати се опасни доколку со нив работат неискусни лица.

- e) **Одржувајте го уредот со внимание. Имајте контрола околу тоа дали движечките делови на уредот работат беспрекорно и дали не се заглавени, дали деловите се скршени или оштетени до таа мерка што не може да се обезбеди функционирање на уредот. Пред примената, овие оштетени делови треба да се поправат.** Причина за многу незгоди е лошо одржуваниот електричен алат.

- f) **Алатите за сечење одржувајте ги остри и чисти.** Внимателно одржување на алати за сечење со остри отчрпи помалку ќе се заглавуваат и со нив работата ќе биде полесна.

- g) **Електричниот алат, прибор, работни алати итн., треба да ги користите според овие упатства, и на начин кој е опишан за соодветниот тип на уред. При тоа, земете ги предвид работните услови и работата која се извршува.** Употребата на електричните алати за други цели кои не се предвидени, може да предизвика опасни ситуации.

5) СЕРВИСИРАЊЕ

- a) **Поправката на Вашиот уред препуштете им ја само на обучен, стручен кадар на овластен сервисер, и само со оригиналните резервни делови.** На тој начин ќе се обезбеди уредот да остане со зачувана безбедност.

БЕЗБЕДНОСНИ УПАТСТВА ЗА БРУСИЛКА

- Избегнувајте оштетувања од штрафови, шајки и други предмети во местото каде работите; тргнете ги пред да почнете со работа
- Кабелот секогаш држете го подалеку од деловите на алатот кои се движат; кабелот држете го на задната страна, на страна од алатот
- **Зацврстете го материјалот кој го обработувате** (обработка која е зацврстена со стеги или во менгеме е побезбедна отколку да ја држите со раце)
- Кога ќе ја завршите работата со алатот, исклучете го моторот и проверете дали сите подвижни делови се застанати
- Продолжениот кабел кој го користите, мора да биде сосема одмотан и безбеден, со капацитет од 16 A
- Во случај да дојде до електричен или механички дфект, веднаш исклучете го алатот и исклучете го од приклучокот
- SKIL може да признае гаранција само доколку е користен оригинален прибор
- Овој алат не треба да го користат лица под 16 години
- Нивото на бучава додека работите може да изнесува повеќе од 85 dB(A); носете заштита за ушите
- **Држете го алатот под напон за изолираните површини на држење бидејќи појасот може да го пресече кабелот** (ако се пресече жица под напон, металните делови на алатот ќе се електрифицираат и може да предизвикаат електричен шок за работникот)
- Ако кабелот се оштети или пресече за време на работата, веднаш исклучете го и не го допирајте
- Никогаш не користете алат ако кабелот е оштетен; замената на кабелот мора да ја изврши стручно лице
- Секогаш проверувајте напонот да е ист со оној кој е назначен на плочката на алатот (алатите за напон од 230V или 240V исто така може да се поврзат и на напон од 220V)
- Овој алат не е соодветен за брусење во влажна средина
- **Не обработувајте никаков материјал кој содржи азбест** (азбестот важи за предизвикувач на рак)
- Прашината од материјали како боја која содржи олово, некои видови дрво, минерали и метали, може да биде штетна за здравјето (контактот со прашина или нејзиното вдишување може да шредизвика алергии и/или болести на дишните органи за оној кој работи со алатот или луѓето во близина); **носете масна за прашина и работете со правосмукалки доколку можете да ги поврзете**
- Некои видови на прашина се канцерогени (како на пример прашина од даб или бука), особено заедно со адитиви за одржување на дрвото; **носете масна за прашина и работете со правосмукалки доколку можете да ги поврзете**

- Следете ги процедурите на вашата земја за прашина која се јавува како резултат од материјалите со кои работите
- При брусење на метал доаѓа до појава на искри; не користете кесата за прашина/кутија за прашина/ правосмукалка а останатите лица и запалливи материјали треба да се наоѓаат подалеку од местото каде се работи
- Не допирајте го појасот за брусење кој се движи
- Не користете истрошен, изабен или премногу зачепен појас за брусење
- Носете заштитни ракавици, заштитни очила, тесна облека и заштита за нос (доколку имате долга коса)
- **Обезбедете се алатот да е исклучен од струја пред да вршите било какво подесување или замена на приборот**

УПОТРЕБА

- Прекинувач за вклучување/исклучување
 - алатот вклучете/исклучете го со повлекување/пуштање на прекинувачот A ②
 - ! **алатот треба да го вклучите пред брусната површина да го допре местото каде ќе работите**
 - ! **уредот треба да се подигне од работната површина пред тој да биде исклучен**
- Блокирање на прекинувачот за постојана употреба
 - повлечете го прекинувачот A ②
 - притиснете го копчето B ② со палецот
 - пуштете го прекинувачот
 - отклучете го прекинувачот со повторно повлекување на прекинувачот A ② и отпуштање
- Брзо менување на појасите за пескарее (CLIC-систем) ④
 - ! **извлечете го приклучокот ако кабелот**
 - подигнете ја рачката C
 - отстранете го брусниот појас
 - вметнете нов брусен појас со стрелка која е втисната од внатрешната страна, насочена во иста насока како и стрелката D на алатот
 - рачката турнете ја назад
 - ! **на време менувајте ги брусните појаси**
 - ! **никогаш не витнајте ја брусните појаси**
- Автоматско центрирање на појасот (ABC)
 - го центрира појасот автоматски кога ќе се вклучи алатот
 - го одржува појасот центриран при пескарее
- Во случај појасот да падне од алатот (најчесто заради полошиот квалитет на појасот), би требало да
 - вклучете го алатот
 - подесите шрафот E ② за брусниот појас, да се порамни со рамната страна на алатот
 - употребите нова брусна хартија, доколку старата се уште паѓа од алатот
- Вшмукување прашина ⑤
 - редовно празнете ја кутијата за прашина G/кесата за прашина F за оптимално собирање на прашина
 - кога го користите алатот со правосмукалка, монтирајте го адаптерот за правосмукалната H, како што е опишано (1215)
 - кога е неопходно, исто така, чистете ги и малите филтри, како што е опишано

! не користете ја кутијата за прашина/несата за прашина/правосмукалната за собирање прашина кога брусите метал

- Држење и насочување на алатот ⑥
 - држете го алатот паралелно со површината која ја обработувате
- ! додена работите, сеногаш држете го алатот за местото (местата) кое (кои) се означени со сива боја
- ! не применувајте многу притисок врз алатот и оставете ја површината за чистење да ја заврши работата за вас
 - не го навалувајте алатот за да избегнете појава на несакани траги од брусењето
 - отворите за ладење J ② држете ги отворени

СОВЕТИ ЗА ПРИМЕНА

- При брусење на необработено дрво, движете го алатот праволиниски следејќи ги шарите на дрвото
- При брусење на други површини, движете го алатот со кружни движења
- Поставете ја брусната рамка K (SKIL прибор 2610398244) за изедначување на површината, без гребаници и жлебови и проверете дали е добро наместена
 - ! брусната рамка K се загрева при употреба; не ја допирајте додена не се олади
- Никогаш не користете ја истат брусниот појас и за дрво и за метал
- Препорачани шмиргли за појасот за пескареење:
 - груба - за отстранување боја, за пескареење исклучително грубо дрво
 - средна - за пескареење грубо или рамно дрво
 - фина - за мазнење дрво, за завршување на површината на оголено дрво, за мазнење површини со стара боја
- Користете разни големини на шмиргли кога површината е груба:
 - започнете да пескарите со груба или средна шмиргла
 - завршете со фината шмиргла
- Многу други совети можете да најдете на www.skil.com

ОДРЖУВАЊЕ/СЕРВИСИРАЊЕ

- Овој алат не е наменет за професионална употреба
- Алатот и кабелот секогаш да се одржуваат чисти (особено отворите за ладење J ②)
 - со четкичка отстранете ја насобраната прашина од брусењето
 - ! пред чистење извадете го алатот од приклучоно
- Доколку алатот и покрај внимателното работење и контрола некогаш откаже, поправката мора да ја изврши некој овластен SKIL сервис за електрични алати
 - во случај на примедба, испратете го алатот нерасклопен, заедно со сметкопотврдата, до вашиот продавач или најблискиот SKIL сервис (адресите се наведени на www.skil.com)

ЗАШТИТА НА ЖИВОТНАТА СРЕДИНА

- Не се ослободувајте од електрични алати, уреди или амбалажа преку нивно фрлање во домашното ѓубре (само за земјите на ЕУ)
 - според Европската Директива 2012/19/ЕС за ослободување од електрична и електронска опрема и нејзина имплементација во согласност со националните закони, електричните алати кои го достигнале крајот на својот животен век мора да бидат собрани посебно и да бидат вратени во соодветен објект за рециклирање
 - симболот ⑧ ќе ве потсетува на ова кога ќе дојде време алатот да го фрлите

ДЕКЛАРАЦИЈА ЗА УСОГЛАСЕНОСТ CE

- Со целосна одговорност изјавуваме дека производот опишан кај "Технички податоци" е усогласен со следните стандарди или документи за стандардизација: EN 60745, EN 61000, EN 55014 во согласност со одредбите во директивите 2004/108/EG, 2006/42/EG, 2011/65/EU
- Техничко досије во: SKIL Europe BV (PT-SEU/ENG1), 4825 BD Breda, NL

Marijn van der Hoofden
Operations & Engineering

Olaf Dijkgraaf
Approval Manager

SKIL Europe BV, 4825 BD Breda, NL

09.12.2013

БУЧАВА/ВИБРАЦИИ

- Мерено во согласност со EN 60745 нивото на звучен притисок е 87 dB(A) а нивото на звучна моќност 98 dB(A) (стандардно отстапување: 3 dB), и вибрација 2,1 m/c² (hand-arm метода; несигурност K = 1.5 m/c²)
- Нивото на емитирање на вибрации кое е наведено на задниот дел на ова упатство е измерено во согласност со стандардизираниот тест даден во EN 60745; може да се користи за да се спореди еден алат со друг, и како првична оценка за изложеноста на вибрации кога се користи алатот за споменатите примени
 - користењето на алатот за разни примени, или со различни или неправилно чувани делови, може да доведе до значајно зголемување на нивото на изложеност
 - кога алатот е исклучен или кога алатот е вклучен но не врши некаква работа, може да дојде до значително намалување на нивото на изложеност
 - ! заштитете се од ефектите на вибрациите преку одржување на алатот и неговите делови, одржување на топлината во вашите раце, и организирање на вашата работа

Smeriluese me rrip

1210/1215

HYRJJE

- Kjo pajisje është projektuar për smerilimin e thatë me një rendiment të lartë heqjeje në sipërfaqe druri, pastike, metalike, mbushëse dhe të lyera
- Kjo vegël nuk është e projektuar për përdorim profesional
- Lexoni dhe ruani këtë manual të përdorimit ③

TË DHËNAT TEKNIKE ①

ELEMENTET E PAJISJES ②

- A Çelësi i ndezjes/fikjes
- B Kapësja për bllokimin e çelësit të ndezjes/fikjes
- C Leva për ndërrimin e rripit të smerilimit
- D Shigjeta
- E Vida për rregullimin e centrimit të rripit
- F Qesja e pluhurave
- G Kutia e pluhurave
- H Përshtatësi i fshesës me korrent
- J Të çararë e ajrosjes
- K Korniza e smerilimit

SIGURIA

UDHËZIMET E PËRGJITHSHME PËR SIGURINË

⚠ PARALAJMËRIM! Lexoni të gjitha paralajmërimet e sigurisë dhe të gjitha udhëzimet. Mosrespektimi i paralajmërimeve dhe udhëzimeve mund të rezultojë në goditje elektrike, zjarr dhe/ose dëmtime të rënda. **Ruani të gjitha paralajmërimet dhe udhëzimet për referencë në të ardhmen.** Termi “pajisje elektrike” në paralajmërimet i referohet pajisjes elektrike që përdoret nga priza (me kablo) ose pajisjes elektrike me bateri (pa kablo).

1) SIGURIA E ZONËS SË PUNËS

- a) **Mbajeni zonën e punës të pastër dhe të ndriçuar mirë.** Zonat e çrregullta ose të errëta janë një ftesë për aksidente.
- b) **Mos i përdorni pajisjet elektrike në situata me mundësi shpërthimi, si në prani të lëngjeve, gazeve ose pluhurave të djegshëm.** Pajisjet elektrike shkaktojnë shkëndija që mund të ndezin pluhurat ose avujt.
- c) **Mbajini fëmijët dhe personat e tjerë larg gjatë përdorimit të veglës së punës.** Tërheqja e vëmendjes mund të shkaktojë humbjen e kontrollit.

2) SIGURIA ELEKTRIKE

- a) **Spinat e veglës së punës duhet të përputhen me prizën. Mos modifikoni kurrë spinën në asnjë mënyrë. Mos përdorni asnjë spinë përshtatëse me veglat e punës me tokëzim.** Spinat e pamodifikuara dhe prizat përshtatëse do të zvogëlojnë rrezikun e goditjes elektrike.
- b) **Shmangni kontaktin trupor me sipërfaqe të tokëzuara si tuba, radiatorë, soba dhe frigoriferë.** Ka një rrezik më të madh të goditjeve elektrike nëse trupi është i tokëzuar.

- c) **Mos ekspozoni veglat e punës në shi ose në kushte me lagështi.** Uji që hyn në veglën e punës do të rritë rrezikun e goditjes elektrike.
 - d) **Mos abuzoni me kordonin. Mos e përdorni kurrë kordonin për transportin, tërheqjen ose heqjen e spinës së veglës së punës. Mbajeni kordonin larg nga nxehtësia, vaji, anët e mprehta ose pjesët që lëvizin.** Kordonët e dëmtuar ose e bllokuar rrisin rrezikun e goditjes elektrike.
 - e) **Kur përdorni një vegël pune në mjedise të jashtme, përdorni një kordon zgjatues të përshtatshëm për përdorim në mjedise të jashtme.** Përdorimi i një kordoni të përshtatshëm për përdorime në mjedise të jashtme zvogëlon rrezikun e goditjes elektrike.
 - f) **Nëse përdorimi i veglës së punës në një vend me lagështi është i pashmangshëm, përdorni një automat qarku me shkarkesë me tokëzim.** Përdorimi i një automati me shkarkesë me tokëzim zvogëlon rrezikun e goditjes elektrike.
- 3) SIGURIA PERSONALE**
- a) **Qëndroni në gatishmëri, shikoni se çfarë po bëni dhe përdorni gjykimin kur përdorni një vegël pune. Mos e përdorni një vegël pune kur jeni i lodhur ose nën ndikimin e ilaçeve, alkoolit ose mjekimit.** Një moment humbjeje e vëmendjes gjatë përdorimit të veglave të punës mund të shkaktojë dëmtime të rënda personale.
 - b) **Përdorni pajisje personale mbrojtëse. Mbani gjithmonë pajisje për mbrojtjen e syve.** Pajisjet mbrojtëse si maska kundër pluhurit, këpucët që nuk rrëshqasin, kaskat ose pajisjet për mbrojtjen e veshëve për kushtet përkatëse do të zvogëlojnë dëmtimet personale.
 - c) **Parandaloni ndezjen e rastësishme. Sigurohuni që çelësi është në pozicionin fikur para se të lidhni burimin e energjisë dhe/ose baterinë, para se të merrni ose të transportoni pajisjen.** Transportimi i veglave të punës me gishtin në çelës ose aktivizimi i veglave të punës që kanë çelësin të ndezur është një ftesë për aksidente.
 - d) **Hiqni çdo çelës ose çelës përshtatës para ndezjes së veglës së punës.** Një çelës i lënë i lidhur me një pjesë rrotulluese të veglës së punës mund të shkaktojë dëmtime personale.
 - e) **Mos u zgjasni. Mbani një vendosje të mirë të këmbëve dhe një ekuilibër të mirë në çdo moment.** Kjo gjë bën të mundur një kontroll më të mirë të veglës së punës në situata të papritura.
 - f) **Vishuni në mënyrën e duhur. Mos vishni veshje të gjera ose bizhuteri. Mbani flokët, veshjet dhe dorashkat larg nga pjesët lëvizëse.** Veshjet e gjera, bizhuteritë ose flokët e gjatë mund të kapen nga pjesët në lëvizje.
 - g) **Nëse janë ofruar pajisje për lidhjen e pajisjeve të mbledhjes dhe nxjerrjes së pluhurave, sigurohuni që ato të jenë të lidhura dhe të përdoren si duhet.** Përdorimi i mbledhjes së pluhurave mund të zvogëlojë rrezikun në lidhje me pluhurat.
- 4) PËRDORIMI DHE KUJDESI PËR VEGLËN E PUNËS**
- a) **Mos ushtroni forcë më veglën e punës. Përdorni veglën e punës të duhur për përdorimin tuaj.** Vegla e punës e duhur do të realizojë një punë më të mirë dhe më të sigurt dhe me shpejtësinë që ajo është e projektuar.

- b) **Mos përdorni veglën e punës nëse çelësi nuk e ndez apo e fik.** Çdo vegël pune që nuk mund të kontrollohet me anë të çelësit është e rrezikshme dhe duhet të riparohet.
 - c) **Shkëputni spinën nga burimi i energjisë dhe/ose baterinë nga vegla e punës para se të bëni rregullime të tjera, të ndryshoni aksesorët ose të ruani veglat e punës.** Këto masa parandaluese të sigurisë ulin rrezikun e ndezjes aksidentale të veglës së punës.
 - d) **Mbani veglat e punës larg fëmijëve dhe mos lejoni personat e pamësuar me veglën e punës ose këto udhëzime për përdorimin e pajisjes.** Veglat e punës janë të rrezikshme në duart e përdoruesve të patrajnuar.
 - e) **Mirëmbani veglat e punës. Kontrolloni për mospërshtatje ose bllokim të pjesëve lëvizëse, thyerje të pjesëve dhe gjendje të tjera që mund të ndikojnë në funksionimin e veglës së punës.** Nëse dëmtohet, riparoheni veglën e punës para përdorimit. Shumë aksidente shkaktohen nga veglat e punës jo të mirëmbajtura si duhet.
 - f) **Mbajini pajisjet prerëse të pastra dhe të mprehta.** Pajisjet e prerjes të mirëmbajtura dhe me anë të mprehta kanë më pak mundësi për t'u bllokuar dhe janë më të lehta për t'u kontrolluar.
 - g) **Përdorni veglat e punës, aksesorët dhe puntot, etj. në përputhje me këto udhëzime, duke marrë parasysh kushtet e punës dhe punën që do të kryhet.** Përdorimi i veglave për përdorime të ndryshme nga ato të përcaktuara mund të shkaktojë rreziqe.
- 5) SHËRBIIMI**
- a) **Shërbimi i veglës së punës duhet të kryhet nga një person i kualifikuar për riparimet duke përdorur vetëm pjesë ndërrimi identike.** Kjo gjë do të sigurojë ruajtjen e sigurisë së veglave të punës.

UDHËZIMET PËR SIGURINË PËR SMERILUESET

- Shmangni dëmtimet që mund të shkaktohen nga vidat, gozhdët dhe elementet e tjera në materialin e punës; hiqni ato para se të filloni punën
- Mbajeni gjithmonë kordonin larg nga pjesët e lëvizshme të veglës; drejtojeni kordonin në anën e pasme, larg nga vegla
- **Siguroini materialin e punës** (një material i shtrënguar me një pajisje shtrëngimi ose morsi mbahet në mënyrë më të sigurt se sa me dorë)
- Kur ta largoni pajisjen, fikeni motorin dhe sigurohuni që të gjitha pjesët lëvizëse të kenë ndalur plotësisht
- Përdorni kordonë të pahapur dhe të sigurt për zgjatime, me një kapacitet 16 amper
- Në rast të një defekti elektrik ose mekanik, fikni menjëherë pajisjen dhe hiqni spinën
- SKIL mund të garantojë funksionimin pa probleme të veglës vetëm kur përdoren aksesorët origjinalë
- Kjo pajisje nuk duhet të përdoret nga personat nën moshën 16 vjeç
- Niveli i zhurmës gjatë punës mund të kalojë 85 dB(A); mbani mbrojtëse për veshët
- **Mbajeni pajisjen elemtriqe nga sipërfaqet e izoluar të kapjes pasi rripi mund të bjerë në kontakt me kordonin e tij** (prejra e një teli me energji elektrike mund të bëjë që pjesët metalike të ekspozuara të përcjellin energjinë dhe të shkaktojnë goditjen elektrike të përdoruesit)

- Nëse kordoni dëmtohet ose pritet gjatë punës, mos e prekni kordonin por hiqni menjëherë spinën
- Mos e përdorni kurrë veglën kur kordoni është i dëmtuar; zëvendësojeni nga një person i kualifikuar
- Kontrolli gjithmonë që voltazhi i energjisë të jetë i njëjtë si voltazhi që tregohet në etiketën e veglës (veglat me klasifikimin 230 V ose 240 V mund të lidhen po ashtu me një burim 220 V)
- Kjo vegël nuk është e përshtatshme për smerilim në lagështi
- **Mos punoni me materiale që përbajnë asbest** (asbesti konsiderohet kancerogjen)
- Pluhurat nga materialet si boja me plumb, disa lloje drurësh, minerale dhe metalesh mund të jenë të dëmshme (kontakti ose thithja e pluhurave mund të shkaktojë reagime alergjike dhe/ose sëmundje respiratore për përdoruesin ose personat përreth); **mbani një maskë për pluhurat dhe punoni me një pajisje për heqjen e pluhurave kur mund të lidhet**
- Disa lloje pluhurash skanë klasifikuar si kancerogjene (si pluhuri i lisit dhe i ahut) veçanërisht në ndërthurje me lëndët shtesë për kondicionimin e drurit; **mbani një maskë për pluhurat dhe punoni me një pajisje për heqjen e pluhurave kur mund të lidhet**
- Respektoni kërkesat kombëtare në lidhje me pluhurat për materialet me të cilat dëshironi të punoni
- Kur smeriloni metale, krijohen shkëndija; mos përdorni qese pluhurash/kuti pluhurash/fshesë me korrent dhe mbajini personat e tjera dhe materialet e djegshme larg nga zona e punës
- Mos e prekni rripin e smerilimit gjatë punës
- Mos vazhdoni të përdorni rripat e smerilimit të konsumuar, të çarë ose shumë të bllokuar
- Mbani doreza mbrojtëse, syze mbrojtëse, roba të ngushta dhe mbrojtëse për flokët (për flokët e gjatë)
- **Shkëputni gjithmonë spinën nga burimi i energjisë para kryerjes së rregullimeve ose ndryshimeve të aksesorëve**

PËRDORIMI

- Çelësi i ndezjes/fikjes
 - ndizeni/fikeni pajisjen duke tërhequr/lëshuar çelësin A ②
- ! **para se sipërfaqja e smerilimit të arrijë të materiali i punës, duhet ta ndizni pajisjen**
- ! **para se ta fikni veglën, ju duhet ta ngrini atë nga materiali i punës**
- Bllokimi i çelësit për përdorim në vazhdim
 - tërhiqni çelësin A ②
 - shtypni kapësen B ② me gishtin e madh
 - lëshoni çelësin
 - zhblokoni çelësin duke tërhequr përsëri çelësin A ② dhe më pas lëshojeni atë
- Ndërrimi i shpejtë i rripave smerilues (sistemi CLIC) ④
 - ! **hiqni spinën**
 - leva e ngritjes C
 - hiqni rripin e smerilimit
 - futni një rrip të ri me shigjetat e printuara në anën e brendshme të rripit që tregojnë në të njëjtin drejtim si shigjeta D në pajisje
 - shtyjeni prapa levën
 - ! **ndërroni në kohë rripat e smerilimit**
 - ! **mos i palosni kurrë rripat e smerilimit**

- Centrimi automatik i rripit (ABC)
 - centron rripin automatikisht kur ndizni pajisjen
 - mban rripin të centruar gjatë smerilimit
- Në rast se rripi del nga pajisja (që shkaktohet kryesisht nga një cilësi më e ulët e rripit), ju duhet
 - ndizni veglën
 - të rregulloni vidën E ② deri sa rripi i smerilimit të punojë në linjë me anë e rrafshët të pajisjes
 - përdorni një rip të ri, nëse rripi del ende nga pajisja
- Thithja e pluhurave⑤
 - boshatisni kutinë e pluhurave G/qesen e pluhurave F rregullisht për një rendiment optimal të mbledhjen e pluhurave
 - kur përdorni pajisjen me fshesë më korrent, montoni përshtatësin e fshesës me korrent H si në ilustrim (1215)
 - kur është e nevojshme, pastroni gjithashtu edhe filtrin si në ilustrim
- ! **mos përdorni kutinë e pluhurave/qesen e pluhurave/fshesën me korrent kur smeriloni metale**
- Mbatja dhe drejtimi i veglës ⑥
 - lëzini pajisjen paralel me sipërfaqen e punës
- ! **gjatë punës, mbajeni gjithmonë veglën në zonën(at) e dorezës me ngjyrë gri**
- ! **mos ushtroni shumë trysni mbi pajisje; lëroni sipërfaqen e smerilimit që të punojë për ju**
- mos e anoni veglën për të shmangur shenja të padëshiruara nga smerilimi
- mbajeni të çarat e ajrimit J ② të pambuluara

KËSHILLË PËR PËRDORIMIN

- Për smerilimin e sipërfaqeve të thjeshta të drurit, lëvizeni pajisjen me lëvizje të drejta në drejtimin e fibrës së drurit
- Për smerilimin e të gjitha sipërfaqeve të tjera, lëvizeni pajisjen me lëvizje në formë vezake mbi material
- Montoni kornizën e smerilimit K (aksesori 2610398244 nga SKIL) për barazimin e sipërfaqeve pa gërvshitje ose kanale, dhe sigurohuni që të jetë e vendosur fort ⑦
- ! **korniza e smerilimit K nxehet gjatë përdorimit; mos e prekni para se të jetë ftohur**
- Mos përdorni kurrë të njëjtin rrip smerilimi për dru dhe për metale
- Aftësitë gërryese të rekomanduara për rripin e smerilimit:
 - i ashpër - për heqjen e bojës; për smerilimin e drurit jashtëzakonisht të ashpër
 - mesatar - për smerilimin e drurit të ashpër ose të thjeshtë i imët - për zbutjen e drurit; për lustrimin e drurit të zhveshur; për lustrimin e sipërfaqeve me bojë të vjetër
- Përdorni nivele të ndryshme të aftësisë gërryese kur sipërfaqja e punës është e ashpër:
 - filloni smerilimin me aftësi gërryese të ashpër ose mesatare
 - lustroni me aftësi gërryese të imët
- Për më shumë këshilla, vizitoni www.skil.com

MIRËMBAJTJA / SHËRBIMI

- Kjo vegël nuk është e projektuar për përdorim profesional
- Mbajeni gjithmonë veglën dhe kordonin të pastër (veçanërisht të çarat e ajrosjes J ②)
- hiqni pluhurin e smerilimit që ngjitet me anë të një furçe
- ! **shkëputni spinën para pastrimit**

- Nëse pajisja ka defekt pavarësisht kujdesit në prodhim dhe procedurat e provave, riparimi duhet të kryhet nga një qendër e shërbimit pas shitjes për veglat e punës të SKIL - dërgoni veglën të **çmontuar** së bashku me vërtetimin e blerjes te shitësi ose te qendra më e afër e shërbimit e SKIL (adresat si dhe diagrami i shërbimit i veglës janë të paraqitura në www.skil.com)

MJEDISI

- **Mos i hidhni veglat elektrike, aksesorët dhe paketimin së bashku me materialet e mbeturinave familjare** (vetëm për vendet e BE-së)
 - në respektim të Direktivës evropiane 2012/19/EC për pajisjet elektrike dhe elektronike si mbetje dhe zbatimin e saj në përputhje me ligjet kombëtare, pajisjet elektrike që kanë arritur në fund të jetëgjatësisë së tyre duhet të mblidhen të ndara dhe të kthehen në një objekt riciklimi në përputhje me mjedisin.
 - simboli ⑧ do t'ju kujtojë për këtë gjë kur të jetë nevojta për t'i hedhur

DEKLARATA E KONFORMITETIT CE

- Ne deklarojmë me përgjegjësinë tonë të vetme se ky produkt i përshkruar në "Të dhëat teknike" është në përputhje me standardet ose dokumentet e standardizimit si më poshtë: EN 60745, EN 61000, EN 55014 në përputhje me dispozitat e direktivave 2004/108/EC, 2006/42/EC, 2011/65/EU
- **Dosja teknike në:** SKIL Europe BV (PT-SEU/ENG1), 4825 BD Breda, Holandë

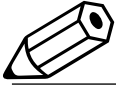
Marijn van der Hoofden
Operations & Engineering

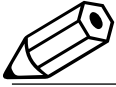
Olaf Dijkgraaf
Approval Manager

SKIL Europe BV, 4825 BD Breda, NL
09.12.2013

ZHURMA/VIBRIMI

- E matur në përputhje me EN 60745, niveli i trysnisë së tingullit i kësaj pajisje është 87 dB(A) dhe niveli i fuqisë së tingullit 98 dB(A) (shmangia standarde: 3 dB) dhe vibrimi 2,1 m/s² (metoda e krahut-dorës; pasiguria K = 1,5 m/s²)
- Niveli i emetimit të vibrimit është matur në përputhje me një provë të standardizuar të dhënë në EN 60745; ajo mund të përdoret për të krahasuar një vegël me një tjetër dhe si një vlerësim paraprak i ekspozimit ndaj vibrimit kur përdorni pajisjen për proceset e përmendura
 - përdorimi i pajisjes për procese të ndryshme, ose me aksesorë të ndryshëm dhe të mirëmbajtur keq, mund të **rritë** ndjeshëm nivelin e ekspozimit
 - kohët kur pajisja është e fikur dhe kur është e ndezur por jo në punë, mund të **zvogëlojnë** ndjeshëm nivelin e ekspozimit
- ! **mbroni veten nga efektet e vibrimit duke mirëmbajtur pajisjen dhe aksesorët e saj, duke i mbajtur duart e ngrohta dhe duke organizuar mënyrën tuaj të punës**





اعلامیه مبنی بر رعایت استاندارد CE

- ما بر اساس مسئولیت انحصاری خود اعلام می نمایم که محصول شرح داده شده در قسمت «اطلاعات فنی» با استانداردها یا مستندات استاندارد شده زیر سازگاری و تطابق دارد: EN 16074-1, EN 11000, EN 55014, EN مطابق با مفاد مصوبات NEC/1:2004/EC, 2004/116/EU
- پرونده فنی در: SKIL Europe BV (PT-SEU/ENG), 4825 BD Breda, NL

Marijn van der Hoofden
Operations & Engineering

Olaf Dijkgraaf
Approval Manager

SKIL Europe BV, 4825 BD Breda, NL

09.12.2013

صداء/ارتعاشات

- اندازه گیری ها بر اساس استاندارد EN 16074 انجام و مشخص شد که میزان فشار صوتی این ابزار ۸۷ دسی بل و میزان توان صوتی آن ۹۸ دسی بل (با انحراف استاندارد ۳ دسی بل). و میزان ارتعاشات ۲,۱ متر/مجذور ثانیه می باشد (شبهه دست-بازو. عدم قطعیت ۱,۵ K = متر/مجذور ثانیه)
- میزان انتشار ارتعاشات بر اساس تست استاندارد شده ای که در EN 16074 معرفی شده است اندازه گیری گردید: از این ارقام می توان برای مقایسه یک ابزار با دیگری و بعنوان ارزیابی اولیه در معرض قرارگیری ارتعاشات هنگام کار با ابزار در کاربری های فوق استفاده کرد
- استفاده کردن از ابزار برای کاربردهای متفاوت. یا با لوازم و متعلقات متفاوت/تفرقه یا لوازم و متعلقاتی که بد نگهداری شده اند. می تواند میزان در معرض قرارگیری را بطور قابل ملاحظه ای افزایش دهد
- مواقعی که ابزار خاموش است یا روشن است ولی کاری با آن انجام نمی شود. میزان در معرض قرارگیری بطور قابل توجهی کاهش می یابد
- با نگهداری مناسب از ابزار و لوازم و متعلقات آن. گرم نگهداشتن دست های خود. و سازمان دهی طرح های کاری می توانید خود را در برابر اثرات ارتعاش محافظت کنید

مکش گرد و غبار ④

- به منظور حفظ کیفیت بهینه جمع آوری گردوغبار باید جعبه جمع آوری گرد و غبار G/کیسه جمع آوری گرد و غبار F را بطور مرتب خالی کنید
- هنگام استفاده از ابزار با جارو برقی. مبدل جارو برقی H را مطابق شکل سوار کنید (۵۱۲۱)
- در صورت لزوم. فیلتر را نیز مطابق شکل تمیز کنید
- هنگام سنباده زنی فلزات نباید از جعبه جمع آوری گرد و غبار/کیسه جمع آوری گرد و غبار/جاروبرقی استفاده کنید
- نگهداشتن و هدایت ابزار ①
- ابزار را موازی سطح کار حرکت دهید
- هنگام کار باید همیشه ابزار را از جا(های) دست خاکستری رنگ بگیریید
- فشار بیش از حد به ابزار وارد نکنید: بگذارید سطح سنباده به جای شما کار کند
- برای جلوگیری از ایجاد ردهای ناخواسته سنباده هرگز ابزار را کج نکنید
- شیارهای تهویه ① را مسدود نکنید

توصیه های کاربردی

- برای سنباده زنی سطوح چوبی بدون روکش. ابزار را با حرکت های مستقیم هم راستا با دانه بندی سطح کار حرکت دهید
- برای سنباده زنی کلبه سطوح دیگر ابزار را با حرکت های بیضی شکل بروی سطح کار حرکت دهید
- قاب سنباده K (متعلقات اسکیل شماره قطعه ۲۶۱۰۳۹۸۲۴۴) را برای همسان کردن سطوح فاقد خراش یا شیار سوار کرده. و اطمینان حاصل کنید که محکم در جای خود قرار گرفته باشد ⑤
- قاب سنباده K در حین استفاده داغ می شود: قبل از خنک شدن به آن دست نزنید
- هرگز از یک نوار سنباده یکسان برای چوب و فلزات استفاده نکنید
- درجه بندی پیشنهادی نوار سنباده:
- زبر - برای برداشتن رنگ: برای سنباده زنی چوب های بسیار زخمت متوسط - برای سنباده زنی چوب زخمت یا هموار
- نرم - برای سنباده زنی چوب: پرداخت کاری چوب تخت. نرم کردن سطوحی که رنگ کهنه دارند
- اگر سطح خیلی زخمت است از چند نوع درجه بندی استفاده کنید:
- ابتدا با درجه بندی زبر یا متوسط سنباده بزنید
- کار را با درجه بندی نرم به پایان ببرید
- برای نکات بیشتر به www.skil.com مراجعه کنید

نگهداری / سرویس- خدمات

- این ابزار برای مصارف حرفه ای مناسب نیست
- همیشه ابزار وسیم برق را تمیز نگهدارید (بخصوص شیارهای تهویه ل ①)
- گردهای چسبیده سنباده را با یک برس پاک کنید
- پیش از تمیز کردن سیم برق را از برق بکشید
- اگر ابزار علیرغم تمام دقت و مراقبتی که در فرایندهای تولید و تست بکار برده شده از کار افتاد. تعمیرات باید فقط در مراکز خدمات پس از فروش ابزارهای برقی SKIL انجام شود
- ابزار را بصورت بازنشده همراه با رسید خرید به فروشنده یا نزدیک ترین مرکز خدمات رسانی SKIL بفرستید (آدرسها به همراه نمودارنقشه های سرویس ابزار در www.skil.com موجود است)

محیط زیست

- ابزارهای برقی. لوازم و متعلقات و بسته بندی آنها را نباید همراه با زباله های عادی خانگی دور انداخت (فقط مخصوص کشورهای عضو اتحادیه اروپا)
- با توجه به مصوبه اروپایی 2012/19/EC اروپا درباره لوازم برقی و الکترونیکی مستعمل و اجرای این مصوبه مطابق با قوانین کشوری. ابزارهای برقی که به پایان عمر مفید خود رسیده اند باید جداگانه جمع آوری شده و به یک مرکز بازیافت مناسب و سازگار با محیط زیست انتقال یابند
- نمادعلامت ⑧ یادآور این مسئله در هنگام دور انداختن است

- قبل از روشن کردن ابزار الکتریکی، باید همه ابزارهای تنظیم کننده و آچارها را از روی دستگاه بردارید. ابزارو آچارهایی که روی بخش های چرخنده دستگاه قرار دارند، می توانند باعث ایجاد جراحت شوند.
- پیش از حد به آنها نزدیک نشوید. برای کارهای مطمئن برای خود انتخاب کرده و تعادل خود را همواره حفظ کنید. به این ترتیب می توانید ابزار الکتریکی را در وضعیت های غیر منظره بهتر تحت کنترل داشته باشید.
- لباس مناسب بپوشید. از پوشیدن لباس های فراخ و حمل زینت آلات خود داری کنید. موها، لباس و دستکش ها را از بخش های درحال چرخش دستگاه دور نگهدارید. لباس های فراخ، موی بلند و زینت آلات ممکن است در قسمت های درحال چرخش دستگاه گیر کنند.
- در صورتی که می توانید وسایل مکش گرد و غبار و یا وسیله جذب زائده را به دستگاه نصب کنید، باید مطمئن شوید که این وسایل نصب و درست استفاده می شوند. استفاده از وسایل مکش گرد و غبار مصونیت شما را در برابر گرد و غبار زیاد تر می کند.
- استفاده صحیح از ابزار الکتریکی و مراقبت از آن
- (۱) از وارد کردن فشار زیاد روی دستگاه خود اری کنید. برای هر کاری، از ابزار الکتریکی مناسب با آن استفاده کنید. بکار گرفتن ابزار الکتریکی مناسب باعث می شود که بتوانید از توان دستگاه بهتر و با اطمینان بیشتر استفاده کنید.
- (ب) در صورت ایراد در کلید قطع و وصل ابزار برقی، از دستگاه استفاده نکنید. ابزار الکتریکی که می توان آنها را قطع و وصل کرد، خطرناک بوده و باید تعمیر شوند.
- (ت) قبل از تنظیم ابزار الکتریکی، وسایل متعلقات و یا کنار گذاشتن آن، مواخاه از برق کشید و یا باطری آنها خارج کنید. رعایت این اقدامات پیشگیری ایمنی از راه افتادن ناخواسته ابزار الکتریکی جلوگیری می کند.
- (ث) ابزار الکتریکی را در صورت عدم استفاده، از دسترس کودکان دور نگاهدارید. اجازه ندهید که افراد نا آواره و یا اشنخاصی که این دفتر چه راهنما را خوانده اند، با این دستگاه کار کنند. قرار گرفتن ابزار الکتریکی در دست افراد ناواره و بی تجربه خطرناک است.
- (ج) از ابزار الکتریکی خوب مراقبت کنید. مواظب باشید که قسمت های متحرک دستگاه خوب کار کرده و گیر نکنند. همچنین دقت کنید که قطعات ابزار الکتریکی شکسته و یا آسیب دیده نباشند. قطعات آسیب دیده را قبل از شروع به کار تعمیر کنید. علت بسیاری از سوانح کاری، عدم مراقبت کامل از ابزارهای الکتریکی می باشد.
- (ح) ابزار برش را تیز و تمیز نگاهدارید. ابزار برشی که خوب مراقبت شده و از لبه های تیز برخوردارند، کمتر در قطعه کار گیر کرده و بهتر قابل هدایت می باشند.
- (خ) ابزارهای الکتریکی، متعلقات، ابزارهای که روی دستگاه نصب می شوند و غیره با مطابق دستورالعمل این جزوه راهنما طوری به کار گیرید که با مدل این دستگاه تناسب داشته باشند. همچنین به شرایط کاری و نوع کار توجه کنید. کاربرد ابزار برقی برای موارد کاری که برای آن در نظر گرفته نشده است، میتواند شرایط خطرناکی را منجر شود.
- (۵) سرویس
- (۱) برای تعمیر ابزار الکتریکی فقط به متخصصین حرفه ای رجوع کرده و از وسایل یکدی اصل استفاده کنید. این باعث خواهد شد که ایمنی دستگاه شما تضمین گردد.
- هشدارهای ایمنی برای دستگاه های سنساده زن
- پیچ ها، میخ ها و سایر اجزا بگری می توانند به قطعه کاری شما آسیب بزنند؛ بنابراین پیش از شروع کار آنها را بردارید
- همیشه سیم برق را از بخشهای متحرک ابزار دور بگیرید؛ سیم را به سمت پشت، و دور از ابزار بگیرید
- قطعه کاری را محکم کنید (اگر قطعه کاری را با گیره های جاری یا گیره های رومیزی ثابت کنید بسیاری مطمئن تر از گرفتن آن با دست خواهد بود)
- وقتی که کار شما با ابزار تمام شد، حتماً موتور آنها خاموش کرده و مطمئن شوید که تمام بخشهای متحرک آن از حرکت ایستاده اند
- سیم های رابط برق باید کاملاً باز شده و ایمن باشند. از سیم هایی با رده بندی ۱۶ آمپر
- در صورت بروز اشکالات برقی یا مکانیکی، فوراً ابزار را خاموش کرده و سیم برق آنرا از پریز کشید
- SKIL در صورتی که از متعلقات اصلی استفاده کنید عملکرد بدون مشکل ابزار را تضمین می نماید
- افراد کمتر از ۱۶ سال نباید با این دستگاه کار کنند
- میزان صدای تولید شده توسط این ابزار در حین کار می تواند از ۸۵ دسی بل بیشتر شود؛ از گوشی های محافظ استفاده کنید

- حتماً باید ابزار را از جای دستهای مخصوص عایق ن بگیرید، چون امکان دارد نور آن را سیم خود ابزار تماس پیدا کند (بریدن سیم های «برق دار» می تواند در بخشهای فلزی دستگاه نیز جریان «برق» تولید کرده و در اپراتور برق گرفتگی ایجاد کند)
- اگر سیم برق آسیب دیده یا بریده شده باشد، هرگز به سیم دست نزنید، اما فوراً آنرا از پریز کشید
- وقتی که سیم برق ابزار آسیب دیده هرگز از آن استفاده نکنید و از یک فرد متخصص بخواهید آنرا برای شما عوض کند
- همیشه مطمئن شوید که ولتاژ ورودی دستگاه برابر ولتاژی باشد که روی پلاک دستگاه نوشته شده است (ابزارهایی که ولتاژ ورودی آنها ۲۳۰ یا ۲۴۰ ولت مشخص شده است می توانند با برق ۲۲۰ ولت هم کار کنند)
- این ابزار برای سنساده زنی تر مناسب نیست
- با موادی حاوی آزنست کار نکنید (آزنست سرطان زا است)
- گرد و خاکی که از موادی مانند رنگ های حاوی سرب، برخی گونه های چوب، مواد معدنی و فلزات بلند می شود می تواند خطرناک باشد (ماس با این گرد و خاکی های و یا تنفس آنها می تواند در کاربران ابزار یا افراد نزدیک به محل کار واکنش های حساسیتی ویا بیماری های تنفسی ایجاد کند)؛ یک ماسک مخصوص گرد و خاک بپزید و در صورت امکان از یک وسیله مکش گرد و خاک استفاده کنید
- برخی از گرد و خاکها (مانند گرد و خاکی که از چوب بلوط یا راش بلند می شود) علی الخصوص در مجاورت افزودنی های مخصوص چوب، سرطان زا هستند؛ یک ماسک مخصوص گرد و خاک بپزید و در صورت امکان از یک وسیله مکش گرد و خاک استفاده کنید
- از فمترات ملی مربوط به گرد و خاک موادی که می خواهید با آنها کار کنید پیروی نمایید
- هنگام سنساده زنی فلزات، جرقه تولید می شود؛ از کیسه جمع آوری گرد و غبار/ جعبه جمع آوری گرد و غبار/جاروبرقی استفاده نکرده و افراد دیگر و مواد قابل اشتعال را از محل کار دور نگه دارید
- به نوار سنساده در حال حرکت دست نزنید
- از نوارهای سنساده مستعمل، پاره یا آنیاشته از ذرات استفاده نکنید
- از دستکش محافظ، عینک ایمنی، لباسهای غیر گشاد و محافظه مو (برای موهای بلند) استفاده کنید
- قبل از هرگونه تنظیم یا تعوض کردن لوازم و ملحمتعلقات حتماً باید سیم برق دستگاه را از پریز کشید

استفاده

- کلید روشن/خاموش
- - با فشار دادن/رها کردن استارت A ① ابزار را روشن/خاموش کنید
- ! شما باید ابزار را پیش از رسیدن سطح سنساده به قطعه کاری روشن کنید
- ! ابزار را باید قبل از خاموش کردن از روی قطعه کاری برداشت
- استارت را برای استفاده پیوسته قفل کنید
- استارت را فشار دهید A ①
- - تا انگشت شست خود دکمه B ① را فشار دهید
- استارت را رها کنید
- - برای رها کردن کلید استارت A ① را دوباره فشار داده و سپس رها کنید
- تعوض سریع نوارهای سنساده (سیستم CLIC) ②
- ! سیم برق را از برق جدا کنید/کشید
- - اهرم را بلند کنید C ③
- نوار سنساده را بردارید
- نوار جدید را طوری قرار دهید که پیکان های چاپ شده در قسمت داخلی نوار در جهت مشابه پیکان D ④ روی ابزار باشند
- - اهرم را به عقب برگردانید
- ! نوارهای سنساده را به موقع تعویض کنید
- ! هرگز نوارهای سنساده را ن تا کنید
- تنظیم خودکار قرارگیری نوار در مرکز (ABC)
- - هنگام روشن کردن ابزار، نوار را بطور خودکار در مرکز تنظیم می کند
- - در هنگام سنساده زنی، نوار را در مرکز نگه می دارد
- اگر نوار از روی ابزار خارج می شود (معمولاً به دلیل کیفیت نامناسب نوار)، باید ابزار را روشن کنید
- - پیچ E ① را بچرخانید تا نوار سنساده بصورت هم خط با قسمت تخت ابزار حرکت کند
- - اگر با هم نوار از روی ابزار خارج می شود از یک نوار نو استفاده کنید

البينة المحيطة

- لا تتخلص من الأدوات الكهربائية والملحقات ومواد التغليف مع النفايات المنزلية (الدول الاحاد الأوروبية فقط):
- وفقاً للتوجيه الأوروبي 2012/19/EC حول نفايات المعدات الكهربائية والإلكترونية وتطبيقه بالتوافق مع القانون المحلي. يجب جمع الأدوات الكهربائية منتهية الصلاحية بشكل منفصل وإرسالها إلى أحد منشآت إعادة التصنيع المتوافقة مع البينة:
- سينذرك الرمز (A) بهذا عند الحاجة إلى التخلص من أية أداة:

إعلان توافق CE

- نحن نقر على مسئوليتنا الخاصة أن المنتج الموضح في «البيانات الفنية» يتوافق مع المعايير أو المستندات المعيارية التالية EN 10٠٠٠ و EN ٥٥٠١٤ و EN ٢٠١١/1٥/EC و EN ٢٠٠٤/1٠/NEC و EN ٢٠٠٤/1٠/EN/EC و EN ٤٢٥٠٠:١٤٢٥ BD Breda, NL على SKIL Europe BV (PT-SEU/ENG1):

Marijn van der Hoorden
Operations & Engineering

Olaf Dijkgraaf
Approval Manager

SKIL Europe BV, 4825 BD Breda, NL

09.12.2013

الضوضاء/الاهتزاز

- عند القياس بالتوافق مع EN 1٠٧٤٥ يكون مستوى ضغط صوت هذه الأداة هو ٨٧ ديسيبل (أ) ومستوى طاقة الصوت ٩٨ ديسيبل (أ) (الانحراف المعياري ٣ ديسيبل). والاهتزاز ٢,١ م/ث^٢ مطريفة اهتزاز البند: K غير مؤكد ١,٥ م/ث^٢:
- تم قياس مستوى الاهتزازات بالتوافق مع الاختبار المعياري المحدد في EN 1٠٧٤٥: يمكن استناداً لمقارنة أداة بأداة أخرى وتقسيم تهيئتي للتعرض للاهتزاز عند استخدام الأداة في التطبيقات الموضحة:
- قد يؤدي استخدام الأداة في تطبيقات مختلفة أو مع ملحقات مختلفة ذات صيانة رديئة إلى زيادة مستوى التعرض بصورة كبيرة:
- إن الفترة الزمنية التي يتم خلالها إيقاف تشغيل الأداة أو عندما تكون قيد التشغيل لكنها لا تؤدي أية مهام، تؤدي إلى تقليل مستوى التعرض بصورة كبيرة:
- ! مع حماية نفسك من تأثيرات الاهتزاز من خلال صيانة الأداة وملحقاتها. وحفاظ على يدك دافئتين وتنظيم أمشاط العمل لديك:

FA

١٢١٠/١٢١٥

سنبداه نواری

مقدمه

- این ابزار صرفاً برای سنباده زنی خشک با قابلیت برداشت زیاد جهت چوب، پلاستیک، فلزات، بتونه و سطوح رنگ شده طراحی شده است
- این ابزار برای مصارف حرفه ای مناسب نیست
- لطفاً این دفترچه راهنما را مطالعه کرده و نگهدارید (۲)

اطلاعات فنی ①

اجزای ابزار ②

- A کلید روشن/خاموش
- B کلید گردان برای قفل کردن کلید روشن/خاموش
- C اهرم عوض کردن نوار سنباده
- D پیکان
- E پیچ تنظیم قرارگیری نوار در مرکز
- F کیسه جمع آوری گرد و غبار
- G جعبه جمع آوری گرد و غبار

H مدل جاروبرقی
J شماره‌های تهبه
K قاب سنباده

ایمنی

راهنمای ایمنی عمومی

⚠ هشدار: همه دستورات ایمنی و راهنمای ها را بخوانید. اشتباهات ناشی از عدم رعایت این دستورات ایمنی ممکن است باعث برق گرفتگی، سوختگی و یا سایر جراحات های شدید شود. همه هشدار های ایمنی و راهنمای ها را برای آینده خوب نگهداری کنید. هر جا در این راهنما از «ابزار الکتریکی» صحبت میشود، منظور ابزارهای الکتریکی (باسیم برق) و یا ابزارهای الکتریکی باتری دار (بدون سیم برق) می باشد.

۱) ایمنی محل کار

- ا) محل کار خود را تمیز، مرتب و مجهز به نور کافی نگهدارید. محیط کار نامرتب و کم نور میتواند باعث سوانح کاری شود.
- ب) با ابزار الکتریکی در محیط هایی که در آن خطر انفجار وجود داشته و حاوی مایعات، گازها و غبارهای محترقه باشد، کار نکنید. ابزارهای الکتریکی جرقه های ایجاد می کنند که می توانند باعث آتش گرفتن گرد و بخار های موجود در هوا شوند.
- ت) هنگام کار با ابزار الکتریکی، کودکان و سایر افراد را از دستگاه دور نگهدارید. در صورتیکه حواس شما پرت شود، ممکن است کنترل دستگاه از دست شما خارج شود.

۲) ایمنی الکتریکی

- ا) دوشاخه ابزار الکتریکی باید با پریز برق تناسب داشته باشد. هیچگونه تغییری در دوشاخه ندهید. مبدل دوشاخه نباید همراه با ابزار الکتریکی دارای اتصال به زمین (ارت شده) استفاده شود. مبدل دوشاخه نباید همراه با ابزار الکتریکی دارای اتصال به زمین (ارت شده) استفاده شود.
- ب) از تماس بدنی با قطعات دارای سیم اتصال به زمین (ارت شده) مانند توله، شوفاژ، اجاق برقی و یخچال خود داری کنید. در صورتیکه بدن شما با سیم دارای اتصال به زمین (ارت شده) تماس پیدا کند، خطر برق گرفتگی بیشتر خواهد شد.
- ت) دستگاه را از باران و رطوبت دور نگهدارید. نوزاد به ابزار الکتریکی، خطر شوک الکتریکی را افزایش می دهد.
- ث) از سیم به درستی استفاده کنید. از سیم دستگاه برای کارهایی چون حمل ابزار الکتریکی، آویزان کردن آن و یا خارج کردن دوشاخه از برق استفاده نکنید. دستگاه را در مقابل حرارت، روغن، لبه های تیز و بخش های متحرک دستگاه دور نگهدارید. کابل های آسیب دیده و یا گره خورده خطر شوک الکتریکی را افزایش می دهند.

ج) در صورتیکه با ابزار الکتریکی در محیط باز کار می کنید، تنها از کابل را بطی استفاده کنید که برای محیط باز نیز مناسب باشد. کابل های رابط مناسب برای محیط باز، خطر برق گرفتگی را کم می کنند.

ح) در صورت لزوم کار با ابزار الکتریکی در محیط و اماکن مرطوب، در اینصورت باید از یک کلید حفاظتی جریان خطا و نشستی زمین (کلید قطع کننده اتصال با زمین) استفاده کنید. استفاده از کلید حفاظتی جریان خطا و نشستی زمین خطر برق گرفتگی را کمتر می کند.

۳) رعایت ایمنی اشخاص

ا) حواس خود را خوب جمع کنید، به کار خود دقت کنید و با فکر و هوش کامل با ابزار الکتریکی کار کنید. در صورت خستگی و یا در صورتیکه مواد مخدر، الکل و دارو استفاده کرده اید، با ابزار الکتریکی کار نکنید. یک لحظه بی توجهی هنگام کار با ابزار الکتریکی، میتواند جراحات های شدیدی به همراه داشته باشد.

ب) همواره از تجهیزات ایمنی شخصی استفاده کنید. همواره از عینک ایمنی استفاده کنید. استفاده از تجهیزات ایمنی مانند ماسک ایمنی، کفش های ایمنی ضد لغزش، کلاه ایمنی و گوشی ایمنی متناسب با نوع کار با ابزار الکتریکی، خطر مجروح شدن را تقلیل می دهد.

ت) مواظب باشید که ابزار الکتریکی بطور ناخواسته بکار نیفتد. قبل از وارد کردن دوشاخه دستگاه در پریز برق، اتصال آن به باتری، برداشتن آن و یا حمل دستگاه، باید دقت کنید که ابزار الکتریکی خاموش باشد. در صورتیکه هنگام حمل دستگاه انگشت شما روی دکمه قطع و وصل باشد و یا دستگاه را در حالت روشن به برق بزنید، ممکن است سوانح کاری پیش آید.

- عندما تضع الأداة جانباً، أوقف تشغيل المحرك وتأكد من توقف جميع الأجزاء المتحركة بشكل تام
- استخدم أسلاك عميد مفكوكة تماماً وأمنة سعة ١٦ أمبير (١٣ أمبير في بريطانيا العظمى)
- في حالة حدوث خلل كهربائي أو ميكانيكي، أوقف تشغيل الأداة فوراً وافصل القابس؛
- تضمن SKIL التشغيل السليم للأداة فقط عند استخدام الملحقات الأصلية؛
- لا يجب استخدام هذه الأداة من قبل الأشخاص الأقل من ١٦ عام؛
- قد يزيد مستوى الضوضاء أثناء العمل عن ٨٥ ديسيبل (أ)، لذا قم بارتداء واقبات للأذن
- امسك بالأداة الكهربائية بواسطة أسطح إمساك معزولة لأن السير قد يلامس سلك الطاقة الخاص به (قطع سلك «متصل بالكهرباء» قد يؤدي إلى «وصول التيار الكهربائي» إلى أجزاء معدنية مكشوفة بالأداة الكهربائية وقد يعرض التشغيل للصدمة الكهربائية)
- في حالة تعرض السلك للتلوث أو لقطع أثناء العمل، لا تلمس السلك وافصل القابس فوراً
- يحظر نهائياً استخدام الأداة في حالة تلف السلك، بل قم باستبداله من قبل أحد الأفراد المؤهلين
- تأكد دائماً من أن الفولت المزود هو نفسه المشار إليه على اللوحة الخاصة بالأداة (يمكن كذلك توصيل الأدوات ذات التصنيف ٢٣٠ فولت أو ٢٤٠ فولت بمصدر إمداد ٢٢٠ فولت)؛
- هذه الأداة غير مناسبة للصفرة الرطبة
- لا تعمل باستخدام مواد تشتمل على الأسبستوس (يعتبر الأسبستوس مادة مسرطنة)؛
- الغبار الناتج من المواد كالطلاء الذي يحتوي على رصاص وبعض أنواع الأخشاب والمعادن والمكوثات المعدنية قد يكون ضاراً (صلامسة أو استنشاق الغبار قد تتسبب في إصابة المشغل أو من يجاوره بأمراض الحساسية وأو أمراض الجهاز التنفسي)؛
- قم بارتداء قناع للغبار مع العمل باستخدام جهاز شطف للغبار، طالما أمكن توصيله
- نمة أنواع معينة من الغبار تُصنّف على أنها مواد مسببة للسرطان (مثل غبار خشب البوط والزنان) خاصة عند استخدامها مع مواد مضافة لعلاج الخشب؛
- قم بارتداء قناع للغبار مع العمل باستخدام جهاز شطف للغبار، طالما أمكن توصيله
- التزم بالمتطلبات الوطنية الخاصة بالغبار عند العمل باستخدام المواد المطلوبة عند صفرة المعادن، تولد شرارة؛ لا تقم باستخدام كيس الغبار/صندوق الغبار/الكنسة الكهربائية واحرص على بقايا الأفراد والمواد الأخرى القابلة للاشتعال بعيداً عن منطقة العمل؛
- لا تلمس سير الصفرة الدائر؛
- لا تستمر في استخدام سيور الصفرة التالفة أو الممزقة أو المسدودة بشكل كبير؛
- قم بارتداء قفازات واقية ونظارات واقية وملابس محكمة على الجسم وواقية الشعر (للشعر الطويل)؛
- احرص دائماً على فصل القابس من مصدر الطاقة قبل القيام بأية عمليات ضبط أو تغيير أية ملحقات؛

الاستخدام

- مفتاح التشغيل/الإيقاف
- قم بتشغيل/إيقاف تشغيل الأداة عن طريق ضغط/حرير الزناد (A)؛
- قبل ملامسة سطح الصفرة لقطع العمل، يجب عليك القيام بتشغيل الأداة؛
- قبل إيقاف تشغيل الأداة، يجب أن ترفعها عن قطعة العمل؛
- قم بفصل المفتاح للاستخدام المتواصل؛
- اضغط على الزناد A (A)؛
- اضغط على الزر B (B) بإبهامك؛
- حرر الزناد؛
- افتح قفل المفتاح بالضغط مرة أخرى على الزناد A (A) ثم قم بتحريره؛
- التغيير السريع لسيور الصفرة (نظام CLIC) (C)؛
- أفضل القابس؛
- ارفع الذراع C؛
- قم بإزالة سير الصفرة؛
- أدخل سير جديد بحيث يشير السهمان المطبوعان على الجانب الداخلي من السير في نفس اتجاه السهم D الموجود على الأداة؛

- ادفع الذراع لإعادته إلى موضعه؛
- قم بتغيير سيور الصفرة في الموعد المحدد؛
- تجنب تماماً طي سيور الصفرة؛
- تمركز السير التلقائي (ABC)
- يعمل على مركزة السير تلقائياً عند تشغيل الأداة؛
- يحافظ على مركزة السير أثناء الصفرة؛
- في حالة انفصال السير عن الأداة (غالباً ما يحدث في حالة استخدام سير ذي جودة منخفضة، يجب عليك؛
- شغل الأداة؛
- اضبط البرغي (E) حتى يدور سير الصفرة على استقامة واحدة مع الجانب المسطح من الأداة؛
- استخدم سير جديد في حالة استمرار حالة انفصال السير عن الأداة؛
- شفط الغبار (D)؛
- قم بتفريغ صندوق الغبار/G/كيس F بانتظام للحصول على أفضل أداء لانقاط الغبار؛
- عند استخدام أداة مزودة بمكنسة كهربائية، قم بتثبيت مهابئ المكنسة الكهربائية H كما هو موضح في الشكل: (٥١٢١)
- إذا استدعى الأمر نظف أيضاً المرشح كما هو موضح في الشكل؛
- لا تستخدم صندوق الغبار/كيس الغبار/المكنسة الكهربائية عند صفرة المعادن؛
- إمساك الأداة وتوجيهها (1)
- قم بتوجيه الأداة بشكل موازي لسطح العمل؛
- أثناء العمل، امسك الأداة دائماً من منطقة (مناطق) المقبض رمادية اللون؛
- لا تضغط بشدة على الأداة؛ ودع سطح الصفرة يقوم بالعمل؛
- لا تقم بإمالة الأداة حتى تتفادى حدوث علامات صفرة غير مرغوبة؛
- احرص على أن تكون فتحات التهوية (1) غير مغطاة؛

توصيات الاستخدام

- لصفرة الأسطح الخشبية المكشوفة، حرك الأداة في حركات مستقيمة بشكل موازي للحيبيات؛
- لصفرة جميع الأسطح الأخرى، حرك الأداة في حركات بيضاوية فوق المادة؛
- ركب إطار الصفرة K (متوفر كملحق SKIL رقم ٢١١٠٠٣٨٢٤٤) لساواة الأسطح دون خوش أو تجاؤف، وتأكد من تثبيته في موضعه بإحكام (V)؛
- يصبح إطار الصفرة K ساخناً أثناء الاستخدام، فلا تلمسه قبل أن يبرد؛
- تجنب تماماً استخدام نفس سير الصفرة مع الأخشاب والمعادن؛
- الحصاء الموصى بها لسير الصفرة؛
- خشنة - لإزالة الطلاء؛ لصفرة الأخشاب شديدة الخشونة
- متوسطة - لصفرة الأخشاب الخشنة أو للمساء
- ناعمة - لتنعيم سطح الأخشاب؛ لتنشيط الأخشاب غير المزخرفة؛ لتنعيم الأسطح ذات الطلاء القديم
- استخدم أحجام صحور رمالية مختلفة عندما يكون سطح العمل خشن؛
- ابدأ الصفرة باستخدام الصخور الرملية الخشنة أو المتوسطة؛
- قم بالتنشيط باستخدام صحور رمالية ناعمة؛
- لزيد من النصائح زر موقعنا www.skil.com

الصيانة / الخدمة

- لم يتم تصميم هذه الأداة للاستخدام الاحترافي؛
- احرص دائماً على نظافة الأداة والسلك (وخصوصاً فتحات التهوية ل (1)؛
- قم بإزالة الغبار المتساقط الناتج عن الصفرة باستخدام فرشاة؛
- أفضل القابس قبل التنظيف؛
- إذا تعذر تشغيل الأداة على الرغم من الحذر الشديد في إجراءات التصنيع والاختبار، فيجب القيام بالإصلاحات بواسطة مركز خدمة ما بعد البيع لأدوات الطاقة التابع لشركة SKIL؛
- قم بإرسال الأداة دون تفكيكها بالإضافة إلى إثبات الشراء إلى البائع أو أقرب محطة خدمة (SKIL) لتعاوني بالإضافة إلى مخطط الخدمة متاحان على www.skil.com

مقدمة

- تم تصميم هذه الأداة للصفرية الجافة ذات القدرة العالية على الكشط للأخشاب والبلاستيك والاعان والحشوات والأسطح المطلية؛
- لم يتم تصميم هذه الأداة للاستخدام الاحترافي؛
- اقرأ دليل التعليمات هذا واحتفظ به (٢)

البيانات الفنية ①

مكونات الأداة ②

- | | |
|---|--------------------------------------|
| A | مفتاح التشغيل/إيقاف |
| B | زر لفتح مفاتيح التشغيل/إيقاف التشغيل |
| C | ذراع تغيير سير الصفرية؛ |
| D | سهم؛ |
| E | برغي لضبط مركز السير؛ |
| F | كيس غبار |
| G | صندوق الغبار؛ |
| H | مهايئ الكنتسة الكهربائية؛ |
| J | فتحات التهوية |
| K | إطار الصفرية؛ |

أمان

تعليمات السلامة العامة

⚠ **تحذير!** اقرأ جميع الملاحظات التحذيرية والتعليمات. إن ارتكاب الأخطاء عند تطبيق الملاحظات التحذيرية والتعليمات قد يؤدي إلى الصدمات الكهربائية، إلى نشوب الحرائق أو أو الإصابة بجروح خطيرة. احتفظ بجميع الملاحظات التحذيرية والتعليمات للمستقبل. يقصد بمصطلح «العدة الكهربائية» المستخدم في الملاحظات التحذيرية، العدد الكهربائي الموصول بالشبكة الكهربائية (بواسطة كابلات الشبكة (الكهربائية) وأيضاً العدد الكهربائي المزودة بطارية (دون كابلات الشبكة الكهربائية).

ح) إن لم يكن بالإمكان عدم تشغيل العدة الكهربائية في الأجواء الرطبة، فاستخدم مفتاح للوقاية من التيار المتردد. إن استخدام مفتاح للوقاية من التيار المتردد يقلل خطر الصدمات الكهربائية.

٣) أمان الأشخاص

١) كن يقظاً وأنتبه إلى ما تفعله وقم بالعمل بواسطة العدة الكهربائية بتعتقل. لا تستخدم عدة كهربائية عندما تكون متعب أو عندما تكون تحت تأثير المخدرات أو الكحول أو الأدوية. عدم الإنبه للحظة واحدة عند استخدام العدة الكهربائية قد يؤدي إلى إصابة خطيرة.

ب) ارتد عتاد الوقاية من الغبار وأخذية الأمان الواقية من الإزلاق والخوذ واقية الخاص. كتنافس الوقاية من الغبار وأخذية الأمان الواقية من الإزلاق والخوذ واقية الأذنين. حسب نوع واستعمال العدة الكهربائية، من خطر الإصابة بجروح.

ت) **جنب التشغيل بشكل غير مقصود.** تأكد من كون العدة الكهربائية مطفأة قبل وصلها بإمداد التيار الكهربائي و/ أو بالمركم، وقيل رفعها أو حملها. إن كنت تضع إصبعك على المفتاح أثناء حمل العدة الكهربائية أو إن وصلت الجهاز بالشبكة الكهربائية عندما يكون قيد التشغيل، فقد يؤدي ذلك إلى حدوث الحوادث.

ث) انزع عدد الضبط أو مفتاح الربط قبل تشغيل العدة الكهربائية. قد تؤدي العدة أو المفتاح المتواجد في جزء دوار من الجهاز إلى الإصابة بجروح.

ج) **جنب أوضاع التشغيل غير الطبيعية.** قف بأمان وحافظ على توازنك دائماً. سيسمح لك ذلك من السيطرة على الجهاز بشكل أفضل في المواقف غير المتوقعة.

ح) ارتد ملابس مناسبة. لا ترتدي الثياب الفضفاضة أو الخلي. حافظ على إبقاء الشعر والثياب والقفازات على بعد عن أجزاء الجهاز المتحركة. قد تتشابك الثياب الفضفاضة والخلي والشعر الطويل بالأجزاء المتحركة.

خ) إن جاز تركيب جهاز شفط وجميع الغبار، فتأكد من أنها موصولة وبأنه يتم استخدامها بشكل سليم. قد يقلل استخدام تجهيزات لنشط الأغبرة من المخاطر الناتجة عن الأغبرة.

٤) حسن معاملة واستخدام العدد الكهربائي

أ) لا تفرط في تحميل الجهاز. استخدم لتنفيذ أشغالك العدة الكهربائية المخصصة لذلك. إنك تعمل بشكل أفضل وأكثر أماناً بواسطة العدة الكهربائية الملائمة في مجال الأداء المذكور.

ب) لا تستخدم العدة الكهربائية إن كان مفتاح تشغيلها تالف. العدة الكهربائية التي لم تعد تنجح بتشغيلها أو بإطافئها خطيرة ويجب أن يتم تصليحها.

ت) اسحب القابس من المقبس و/ أو انزع المركم قبل ضبط الجهاز وقيل إستبدال التوابع أو قبل وضع الجهاز جانباً. تمنع إجراءات الاحتياط هذه تشغيل العدة الكهربائية بشكل غير مقصود.

ث) احتفظ بالعدد الكهربائي التي لا يتم استخدامها بعيداً عن متناول الأطفال. لا تسمح باستخدام العدة الكهربائية لمن لاخبره له بها أو لمن لم يقرأ تلك التعليمات. العدد الكهربائي خطيرة إن تم استخدامها من قبل أشخاص دون خبرة.

ج) اعن بالعدة الكهربائية بشكل جيد. تفحص عما إذا كانت أجزاء الجهاز المتحركة تعمل بشكل سليم وبأنها غير مستعصبة عن الحركة أو إن كانت هناك أجزاء مكسورة أو تالفة لدرجة تؤثر فيها على حسن أداء العدة الكهربائية. ينبغي تصليحها بعناية بتكليس بشكل أقل وتكون توجيهها بشكل أيسر.

ح) حافظ على إبقاء عدد القطع نظيفة وسادة. إن عدد القطع ذات حواف القطع الحادة التي تم صيانتها بعناية بتكليس بشكل أقل وتكون توجيهها بشكل أيسر.

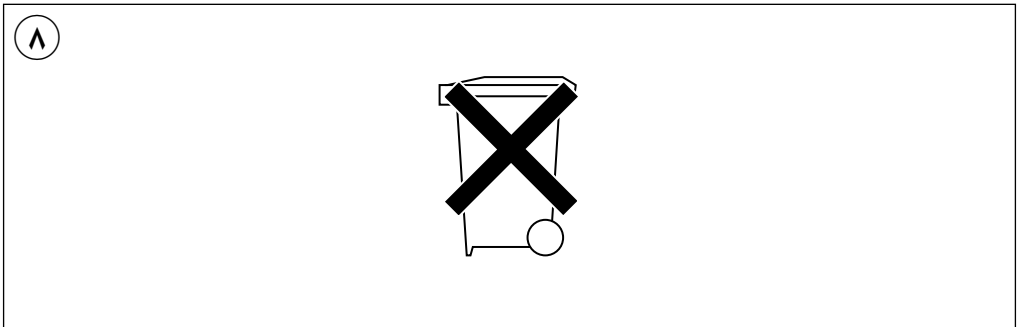
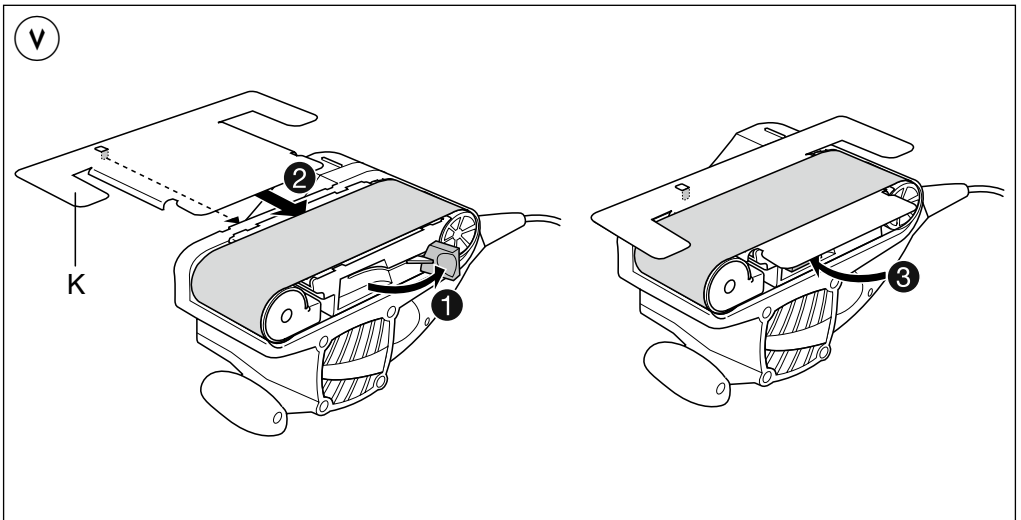
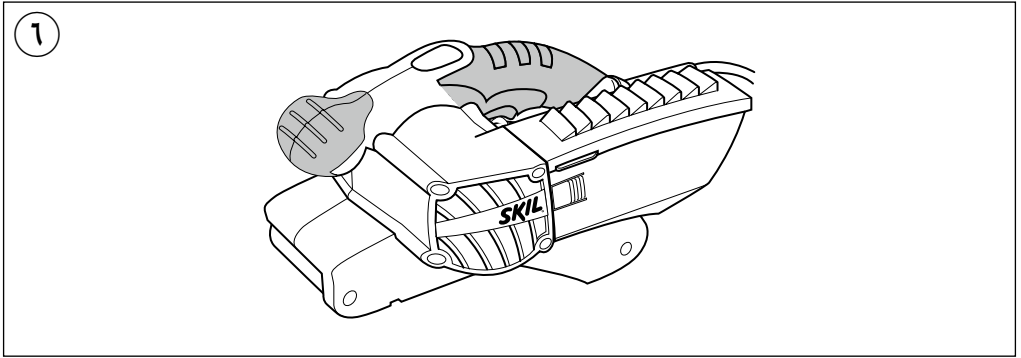
خ) استخدم العدد الكهربائي والتوابع وعدد التشغيل والبخ حسب هذه التعليمات. تراعى أثناء ذلك شروط التشغيل والعمل المراد تنفيذه. استخدام العدد الكهربائي لغير الأشغال المخصصة لأجلها قد يؤدي إلى حدوث الحالات الخطيرة.

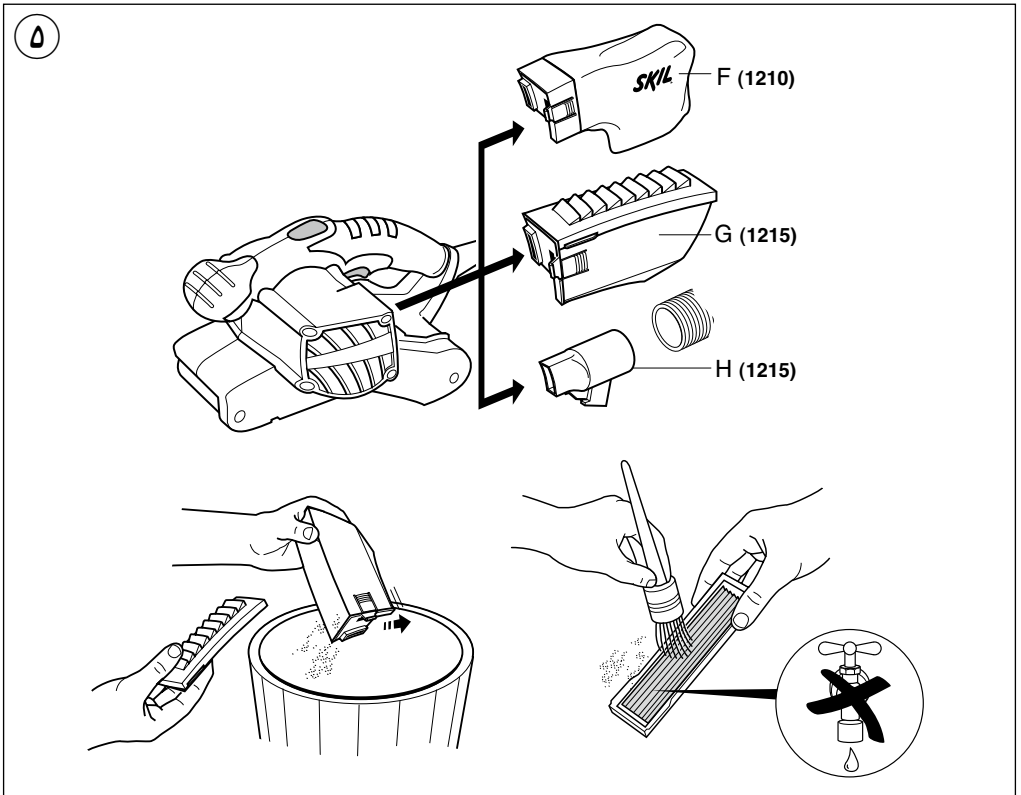
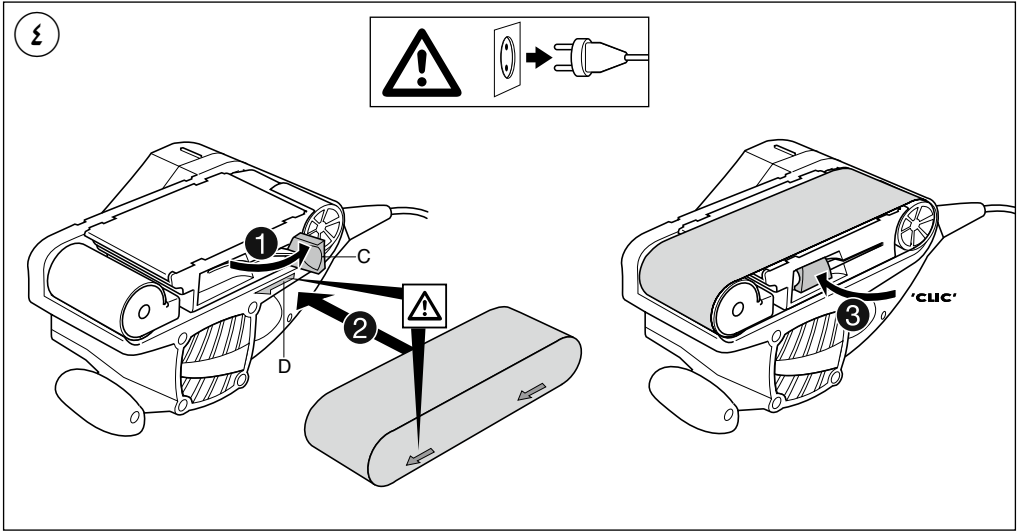
٥) الأدمة

أ) اسمح بتصليح عدتك الكهربائية فقط من قبل المتخصصين فقط وباستعمال قطع الغيار الأصلية. يؤمن ذلك المحافظة على أمان الجهاز.

تعليمات السلامة الخاصة بأدوات الصفرية الرملية

- جنب التلف الذي قد تتسبب فيه البراغي والسامبر والعناصر الأخرى الموجودة في القطعة التي تعمل بها. قم بفهمك قبل بدء العمل؛
- حافظ دائماً على السلك بعيداً عن الأجزاء المتحركة بالأداة. ووجه السلك للخلف بعيداً عن الأداة.
- ثبت قطعة العمل (الإمسك) بقطعة عمل مثبتة بأجهزة تثبيت أو في ملزمة أكثر أمناً من مسكها باليد؛





1

1210

650
Watt

2,8 kg
EPTA 01/2003

76 mm
457 mm

130x76 mm

300
m/min

230
-
240
V~
50-60 Hz

1215

650
Watt

2,9 kg
EPTA 01/2003

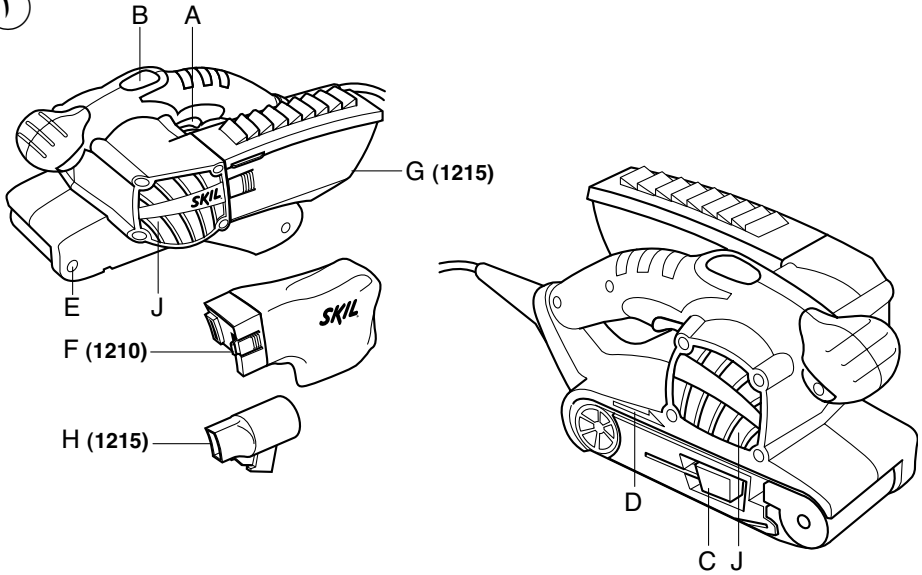
76 mm
457 mm

130x76 mm

300
m/min

230
-
240
V~
50-60 Hz

2



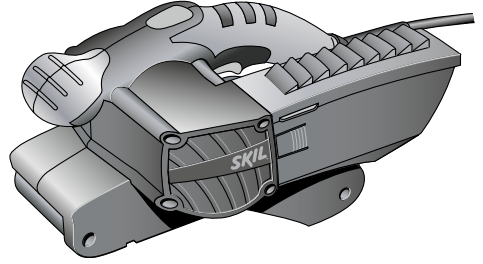
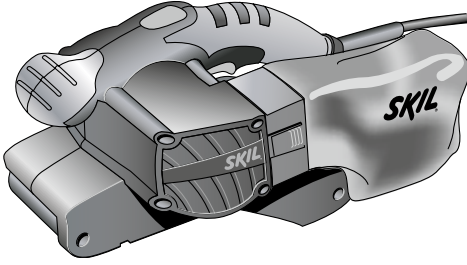
3



أداة صنفرة رملية بالسّير

1210
1215

SKIL[®]



دليل الاستعمال

AR

راهنماي اصلي

FA



2610Z05065

12/13

سكيل أوروبا ب.د.ق. - كونينانبرج 60
4825 ب.د. بريدا - هولندا



Сертификат о соответствии
KZ.7500052.22.01.00061
Срок действия сертификата о соответствии
по 09.07.2018
ТОО «Центр Сертификации продукции и услуг»
г. Алматы, ул Кабанбай батыра,
уг. Калдаякова 51/78

ДАТА ПРОИЗВОДСТВА



McGrp.Ru Инструкции по эксплуатации и руководства пользователя

Эта инструкция загружена с сайта McGrp.Ru На этом сайте вы сможете посмотреть и скачать инструкции к вашей бытовой, кухонной и климатической технике, автоэлектронике и другим полезным девайсам. В случае каких то вопросов, вы можете задать вопрос по своему устройству и модераторы ответят на ваш вопрос в кратчайшие сроки.