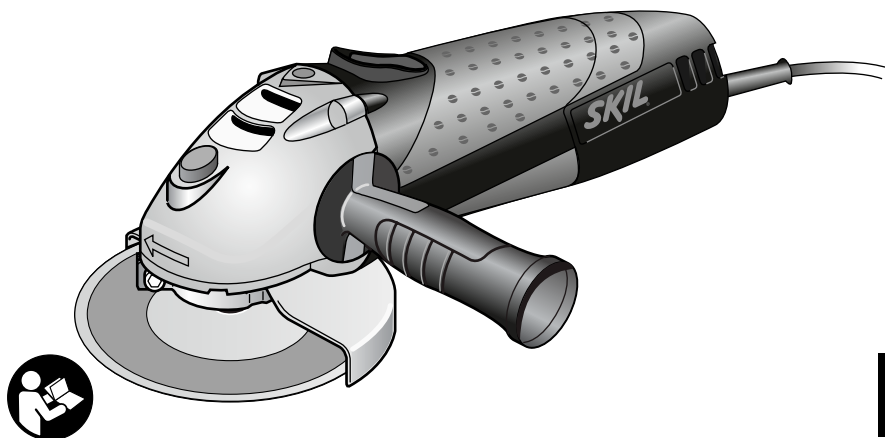


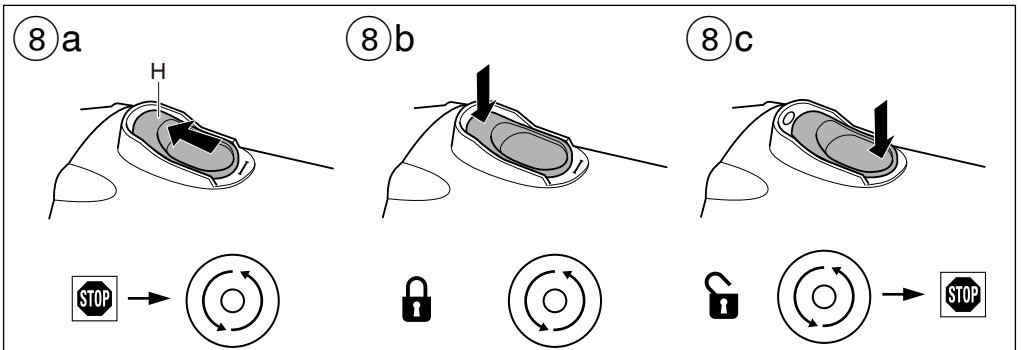
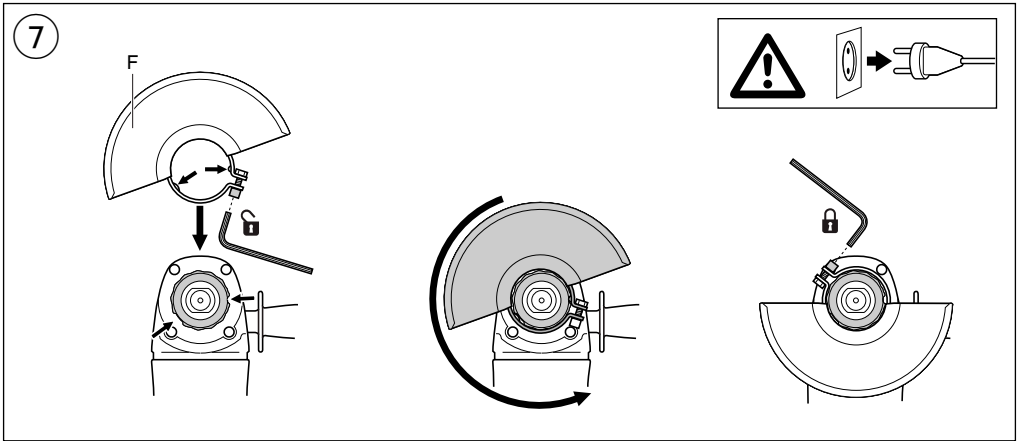
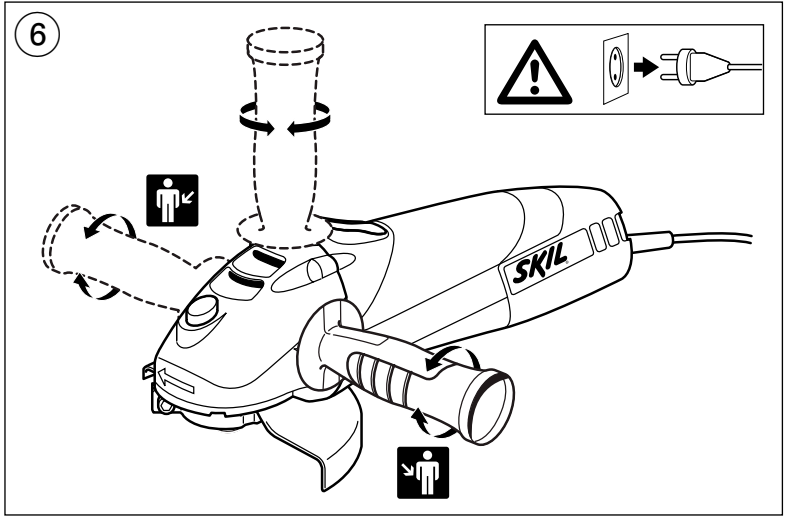
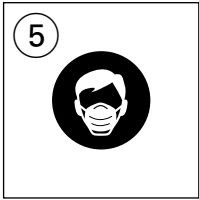
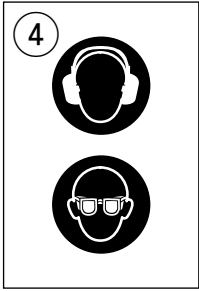
SKIL®

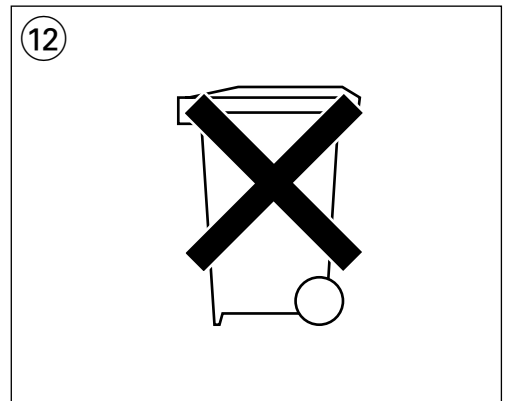
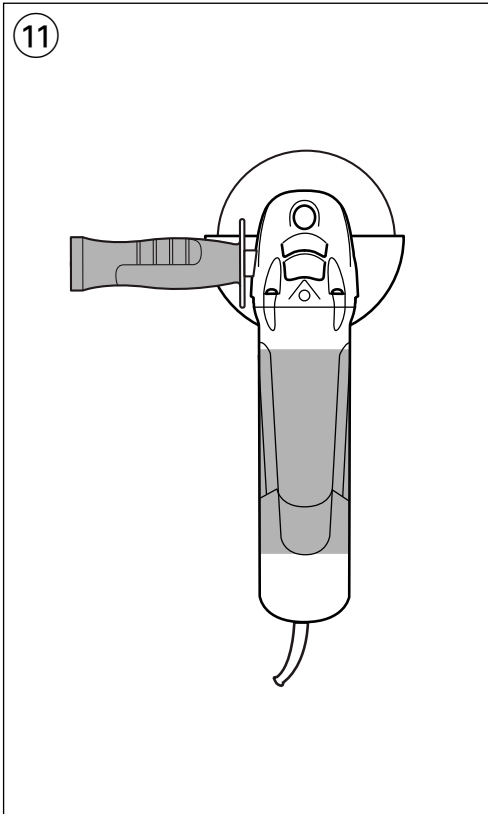
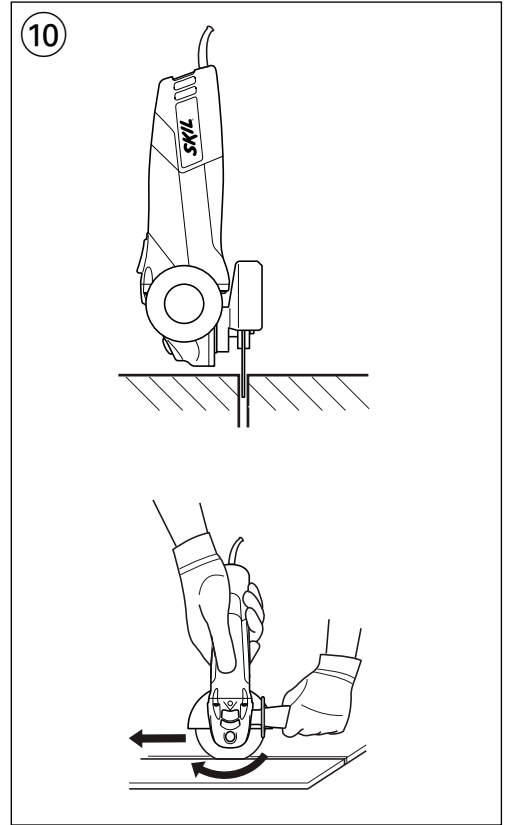
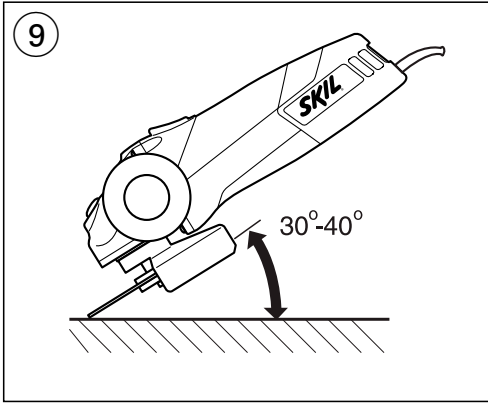
ANGLE GRINDER 9176 (F0159176...)



GB	ORIGINAL INSTRUCTIONS	5	UA	ОРИГІНАЛЬНА ІНСТРУКЦІЯ З ЕКСПЛУАТАЦІЇ	92
F	NOTICE ORIGINALE	9	GR	ΠΡΩΤΟΤΥΠΟ ΟΔΗΓΙΩΝ ΧΡΗΣΗΣ	98
D	ORIGINALBETRIEBSANLEITUNG	15	RO	INSTRUCȚIUNI DE FOLOSIRE ORIGINALE	104
NL	ORIGINELE GEBRUIKSAANWIJZING	21	BG	ОРИГИНАЛНО РЪКОВОДСТВО ЗА ЕКСПЛОАТАЦИЯ	109
S	BRUKSANVISNING I ORIGINAL	26	SK	PŔVODNÝ NÁVOD NA POUŽITIE	116
DK	ORIGINAL BRUGSANVISNING	31	HR	ORIGINALNE UPUTE ZA RAD	122
N	ORIGINAL BRUKSANVISNING	36	SRB	ORIGINALNO UPUTSTVO ZA RAD	126
FIN	ALKUPERÄISET OHJEET	41	SLO	IZVIRNA NAVODILA	131
E	MANUAL ORIGINAL	46	EST	ALGUPÄRANE KASUTUSJUHEND	136
P	MANUAL ORIGINAL	52	LV	ORIĢINĀLĀ LIETOŠANAS PAMĀCĪBA	141
I	ISTRUZIONI ORIGINALI	58	LT	ORIGINALI INSTRUKCIJA	147
H	EREDETI HASZNÁLATI UTASÍTÁS	64	MK	ИЗБОРНО УПАТСТВО ЗА РАБОТА	152
CZ	PŔVODNÍM NÁVODEM K POUŽÍVÁNÍ	69	AL	UDHËZIMET ORIGINALE	158
TR	ORİJİNAL İŞLETME TALİMATI	74	AR	دليل الاستعمال	172
PL	INSTRUKCJA ORYGINALNA	79	FA	راهنمای اصلی	169
RU	ПОДЛИННИК РУКОВОДСТВА ПО ЭКСПЛУАТАЦИИ	85			







ACCESSORIES



WWW.SKIL.COM

Angle grinder

9176

INTRODUCTION

- This tool is intended for grinding, cutting and deburring metal and stone materials without the use of water; with the appropriate accessories the tool can also be used for brushing and sanding
- This tool is not intended for professional use
- **Cutting operations with abrasive cut-off wheels are only allowed when a cut-off guard (available as optional SKIL accessory 2610399439) is used**
- Read and save this instruction manual ③

TECHNICAL DATA ①

TOOL ELEMENTS ②

- A Spindle
- B Clamping flange
- C Spanner
- D Spindle-lock button
- E Auxiliary handle
- F Protective guard
- G Mounting flange
- H On/off locking switch
- J Ventilation slots

SAFETY

GENERAL SAFETY INSTRUCTIONS

⚠ WARNING! Read all safety warnings and all instructions. Failure to follow the warnings and instructions may result in electric shock, fire and/or serious injury. **Save all warnings and instructions for future reference.** The term "power tool" in the warnings refers to your mains-operated (corded) power tool or battery-operated (cordless) power tool.

1) WORK AREA SAFETY

- a) **Keep work area clean and well lit.** Cluttered or dark areas invite accidents.
- b) **Do not operate power tools in explosive atmospheres, such as in the presence of flammable liquids, gases or dust.** Power tools create sparks which may ignite the dust or fumes.
- c) **Keep children and bystanders away while operating a power tool.** Distractions can cause you to lose control.

2) ELECTRICAL SAFETY

- a) **Power tool plugs must match the outlet. Never modify the plug in any way. Do not use any adapter plugs with earthed (grounded) power tools.** Unmodified plugs and matching outlets will reduce risk of electric shock.
- b) **Avoid body contact with earthed or grounded surfaces such as pipes, radiators, ranges and refrigerators.** There is an increased risk of electric shock if your body is earthed or grounded.

- c) **Do not expose power tools to rain or wet conditions.** Water entering a power tool will increase the risk of electric shock.
- d) **Do not abuse the cord. Never use the cord for carrying, pulling or unplugging the power tool. Keep cord away from heat, oil, sharp edges or moving parts.** Damaged or entangled cords increase the risk of electric shock.
- e) **When operating a power tool outdoors, use an extension cord suitable for outdoor use.** Use of a cord suitable for outdoor use reduces the risk of electric shock.
- f) **If operating a power tool in a damp location is unavoidable, use an earth leakage circuit breaker.** Use of an earth leakage circuit breaker reduces the risk of electric shock.

3) PERSONAL SAFETY

- a) **Stay alert, watch what you are doing and use common sense when operating a power tool. Do not use a power tool while you are tired or under the influence of drugs, alcohol or medication.** A moment of inattention while operating power tools may result in serious personal injury.
- b) **Use personal protective equipment. Always wear eye protection.** Protective equipment such as dust mask, non-skid safety shoes, hard hat, or hearing protection used for appropriate conditions will reduce personal injuries.
- c) **Prevent unintentional starting. Ensure the switch is in the off-position before connecting to power source and/or battery pack, picking up or carrying the tool.** Carrying power tools with your finger on the switch or energising power tools that have the switch on invites accidents.
- d) **Remove any adjusting key or wrench before turning the power tool on.** A wrench or a key left attached to a rotating part of the power tool may result in personal injury.
- e) **Do not overreach. Keep proper footing and balance at all times.** This enables better control of the power tool in unexpected situations.
- f) **Dress properly. Do not wear loose clothing or jewelry. Keep your hair, clothing and gloves away from moving parts.** Loose clothes, jewelry or long hair can be caught in moving parts.
- g) **If devices are provided for the connection of dust extraction and collection facilities, ensure these are connected and properly used.** Use of dust collection can reduce dust-related hazards.

4) POWER TOOL USE AND CARE

- a) **Do not force the power tool. Use the correct power tool for your application.** The correct power tool will do the job better and safer at the rate for which it was designed.
- b) **Do not use the power tool if the switch does not turn it on and off.** Any power tool that cannot be controlled with the switch is dangerous and must be repaired.
- c) **Disconnect the plug from the power source and/or the battery pack from the power tool before making any adjustments, changing accessories, or storing power tools.** Such preventive safety measures reduce the risk of starting the power tool accidentally.

- d) **Store idle power tools out of the reach of children and do not allow persons unfamiliar with the power tool or these instructions to operate the power tool.**

Power tools are dangerous in the hands of untrained users.

- e) **Maintain power tools. Check for misalignment or binding of moving parts, breakage of parts and any other condition that may affect the power tool's operation. If damaged, have the power tool repaired before use.** Many accidents are caused by poorly maintained power tools.
- f) **Keep cutting tools sharp and clean.** Properly maintained cutting tools with sharp cutting edges are less likely to bind and are easier to control.
- g) **Use the power tool, accessories and tool bits etc., in accordance with these instructions, taking into account the working conditions and the work to be performed.** Use of the power tool for operations different from those intended could result in a hazardous situation.

5) SERVICE

- a) **Have your power tool serviced by a qualified repair person using only identical replacement parts.** This will ensure that the safety of the power tool is maintained.

SAFETY INSTRUCTIONS FOR ANGLE GRINDERS

1) SAFETY INSTRUCTIONS FOR ALL OPERATIONS

- a) **This power tool is intended to function as a grinder, sander, wire brush or cut-off tool. Read all safety warnings, instructions, illustrations and specifications provided with this power tool.** Failure to follow all instructions listed below may result in electric shock, fire and/or serious injury.
- b) **This power tool is not recommended for polishing.** Operations for which the power tool was not designed may create a hazard and cause personal injury.
- c) **Do not use accessories which are not specifically designed and recommended by the tool manufacturer.** Just because the accessory can be attached to your power tool, it does not assure safe operation.
- d) **The rated speed of the accessory must be at least equal to the maximum speed marked on the power tool.** Accessories running faster than their rated speed can fly apart.
- e) **The outside diameter and the thickness of your accessory must be within the capacity rating of your power tool.** Incorrectly sized accessories cannot be adequately guarded or controlled.
- f) **Threaded mounting of accessories must match the grinder spindle thread. For accessories mounted by flanges, the arbour hole of the accessory must fit the locating diameter of the flange.** Accessories that do not match the mounting hardware of the power tool will run out of balance, vibrate excessively and may cause loss of control.
- g) **Do not use a damaged accessory. Before each use inspect the accessory such as abrasive wheels for chips and cracks, backing pads for cracks, tear or excess wear, wire brushes for loose or cracked wires. If the power tool or accessory is dropped, inspect for damage or install an undamaged accessory. After inspecting and installing an**

accessory, position yourself and bystanders away from the plane of the rotating accessory and run the power tool at maximum no load speed for one minute. Damaged accessories will normally break apart during this test time.

- h) **Wear personal protective equipment ④. Depending on application, use face shield, safety goggles or safety glasses. As appropriate, wear dust mask, hearing protectors, gloves and shop apron capable of stopping small abrasive or workpiece fragments.** The eye protection must be capable of stopping flying debris generated by various operations. The dust mask or respirator must be capable of filtering particles generated by your operation. Prolonged exposure to high intensity noise may cause hearing loss.
- i) **Keep bystanders a safe distance away from work area. Anyone entering the work area must wear personal protective equipment.** Fragments of the workpiece or of a broken accessory may fly away and cause injury beyond the immediate area of operation.
- j) **Hold power tool by insulated gripping surfaces only, when performing an operation where the cutting accessory may contact hidden wiring or its own cord.** A cutting accessory contacting a "live" wire may make exposed metal parts of the power tool "live" and could give the operator an electric shock.
- k) **Position the cord clear of the spinning accessory.** If you lose control, the cord may be cut or snagged and your hand or arm may be pulled into the spinning accessory.
- l) **Never lay the power tool down until the accessory has come to a complete stop.** The spinning accessory may grab the surface and pull the power tool out of your control.
- m) **Do not run the power tool while carrying it at your side.** Accidental contact with the spinning accessory could snag your clothing, pulling the accessory into your body.
- n) **Regularly clean the power tool's air vents.** The motor's fan will draw the dust inside the housing and excessive accumulation of powdered metal may cause electrical hazards.
- o) **Do not operate the power tool near flammable materials.** Sparks could ignite these materials.
- p) **Do not use accessories that require liquid coolants.** Using water or other liquid coolants may result in electrocution or shock.
- ### 2) KICKBACK AND RELATED WARNINGS
- Kickback is a sudden reaction to a pinched or snagged rotating wheel, backing pad, brush or any other accessory. Pinching or snagging causes rapid stalling of the rotating accessory which in turn causes the uncontrolled power tool to be forced in the direction opposite of the accessory's rotation at the point of the binding.
 - For example, if an abrasive wheel is snagged or pinched by the workpiece, the edge of the wheel that is entering into the pinch point can dig into the surface of the material causing the wheel to climb out or kick out. The wheel may either jump toward or away from the operator, depending on the direction of the wheel's movement at the point of pinching. Abrasive wheels may also break under these conditions.

- Kickback is the result of power tool misuse and/or incorrect operating procedures or conditions and can be avoided by taking proper precautions as given below.
- Maintain a firm grip on the power tool and position your body and arm to allow you to resist kickback forces. Always use auxiliary handle, if provided, for maximum control over kickback or torque reaction during start-up.** The operator can control torque reactions or kickback forces, if proper precautions are taken.

- Never place your hand near the rotating accessory.** The accessory may kickback over your hand.

- Do not position your body in the area where power tool will move if kickback occurs.** Kickback will propel the tool in the direction opposite to the wheel's movement at the point of snagging.

- Use special care when working corners, sharp edges etc. Avoid bouncing and snagging the accessory.** Corners, sharp edges or bouncing have a tendency to snag the rotating accessory and cause loss of control or kickback.

- Do not attach a saw chain woodcarving blade or toothed saw blade.** Such blades create frequent kickback and loss of control.

3) SAFETY WARNINGS SPECIFIC FOR GRINDING AND ABRASIVE CUTTING-OFF OPERATIONS

- Use only wheel types that are recommended for your power tool and the specific guard designed for the selected wheel.** Wheels for which the power tool was not designed cannot be adequately guarded and are unsafe.

- The grinding surface of the centre depressed wheels must be mounted below the plane of the guard lip.** An improperly mounted wheel that projects through the plane of the guard lip cannot be adequately protected.

- The guard must be securely attached to the power tool and positioned for maximum safety, so the least amount of wheel is exposed towards the operator.** The guard helps to protect the operator from broken wheel fragments, accidental contact with wheel and sparks that could ignite clothing.

- Wheels must be used only for recommended applications.** For example: Do not grind with the side of a cut-off wheel. Abrasive cut-off wheels are intended for peripheral grinding; side forces applied to these wheels may cause them to shatter.

- Always use undamaged wheel flanges that are of correct size and shape for your selected wheel.** Proper wheel flanges support the wheel thus reducing the possibility of wheel breakage. Flanges for cut-off wheels may be different from grinding wheel flanges.

- Do not use worn down wheels from larger power tools.** A wheel intended for a larger power tool is not suitable for the higher speed of a smaller tool and may burst.

4) ADDITIONAL SAFETY WARNINGS SPECIFIC FOR CUTTING OFF OPERATIONS

- Do not "jam" the cut-off wheel or apply excessive pressure. Do not attempt to make an excessive depth of cut.** Overstressing the wheel increases the loading and susceptibility to twisting or binding of the

wheel in the cut and the possibility of kickback or wheel breakage.

- Do not position your body in line with and behind the rotating wheel.** When the wheel, at the point of operation, is moving away from your body, the possible kickback may propel the spinning wheel and the power tool directly at you.
- When the wheel is binding or when interrupting a cut for any reason, switch off the power tool and hold the power tool motionless until the wheel comes to a complete stop. Never attempt to remove the cut-off wheel from the cut while the wheel is in motion, otherwise kickback may occur.** Investigate and take corrective action to eliminate the cause of wheel binding.
- Do not restart the cutting operation in the workpiece. Let the wheel reach full speed and carefully re-enter the cut.** The wheel may bind, walk up or kickback if the power tool is restarted in the workpiece.
- Support panels or any oversized workpiece to minimize the risk of wheel pinching and kickback.** Large workpieces tend to sag under their own weight. Supports must be placed under the workpiece near the line of cut and near the edge of the workpiece on both sides of the wheel.
- Use extra caution when making a "pocket cut" into existing walls or other blind areas.** The protruding wheel may cut gas or water pipes, electrical wiring or objects that can cause kickback.

5) SAFETY WARNINGS SPECIFIC FOR SANDING OPERATIONS

- When sanding, do not use excessively oversized sanding disc paper. Follow the manufacturers' recommendations when selecting sanding paper.** Larger sanding paper extending beyond the sanding pad presents a laceration hazard and may cause snagging, tearing of the disc, or kickback.

6) SAFETY WARNINGS SPECIFIC FOR WIRE BRUSHING OPERATIONS

- Be aware that wire bristles are thrown by the brush even during ordinary operation. Do not overstress the wires by applying excessive load to the brush.** The wire bristles can easily penetrate light clothing and/or skin.
- If the use of a guard is recommended for wire brushing, do not allow any interference of the wire wheel or brush with the guard.** Wire wheel or brush may expand in diameter due to work load and centrifugal forces.

GENERAL

- This tool is not suitable for wet grinding/cutting
- Only use the flanges which are supplied with this tool
- This tool should not be used by people under the age of 16 years

• **Always disconnect plug from power source before making any adjustment or changing any accessory**

ACCESSORIES

- SKIL can assure flawless functioning of the tool only when original accessories are used
- **Use only grinding/cutting discs with a maximum thickness of 8 mm and a spindle hole diameter of 22 mm**

- For mounting/using non-SKIL accessories observe the instructions of the manufacturer concerned
- Never use reducers or adaptors to fit large-hole grinding/cutting discs
- Never use accessories with a “blind” threaded hole smaller than M14 x 21 mm

OUTDOOR USE

- Connect the tool via a fault current (FI) circuit breaker with a triggering current of 30 mA maximum

BEFORE USE

- Before using the tool for the first time, it is recommended to receive practical information
- Always check that the supply voltage is the same as the voltage indicated on the nameplate of the tool (tools with a rating of 230V or 240V can also be connected to a 220V supply)
- Always mount auxiliary handle E ② and protective guard F ②; never use the tool without them
- **Use suitable detectors to find hidden utility lines or call the local utility company for assistance** (contact with electric lines can lead to fire or electrical shock; damaging a gas line can result in an explosion; penetrating a water pipe will cause property damage or an electrical shock)
- **Do not work materials containing asbestos** (asbestos is considered carcinogenic)
- Dust from material such as paint containing lead, some wood species, minerals and metal may be harmful (contact with or inhalation of the dust may cause allergic reactions and/or respiratory diseases to the operator or bystanders); **wear a dust mask and work with a dust extraction device when connectable**
- Certain kinds of dust are classified as carcinogenic (such as oak and beech dust) especially in conjunction with additives for wood conditioning; **wear a dust mask and work with a dust extraction device when connectable**
- Follow the dust-related national requirements for the materials you want to work with
- Be careful when cutting grooves, especially in supporting walls (slots in supporting walls are subject to country-specific regulations; these regulations are to be observed under all circumstances)
- **Secure the workpiece** (a workpiece clamped with clamping devices or in a vice is held more securely than by hand)
- Do not clamp the tool in a vice
- Use completely unrolled and safe extension cords with a capacity of 16 Amps (U.K. 13 Amps)

DURING USE

- If the cord is damaged or cut through while working, do not touch the cord, but immediately disconnect the plug
- Never use the tool when cord is damaged; have it replaced by a qualified person
- In case of electrical or mechanical malfunction, immediately switch off the tool and disconnect the plug
- In case of current interruption or when the plug is accidentally pulled out, unlock the on/off switch H ② immediately in order to prevent uncontrolled restarting

AFTER USE

- After switching off the tool, never stop the rotation of the accessory by a lateral force applied against it

WHEN CONNECTING NEW 3-PIN PLUG (U.K. ONLY):

- Do not connect the blue (= neutral) or brown (= live) wire in the cord of this tool to the earth terminal of the plug
- If for any reason the old plug is cut off the cord of this tool, it must be disposed of safely and not left unattended

USE

- Mounting of accessories ②
 - ! **disconnect the plug**
 - clean spindle A and all parts to be mounted
 - tighten clamping flange B with spanner C while pushing spindle-lock button D
 - ! **push spindle-lock button D only when spindle A is at a standstill**
 - for removing accessories handle vice-versa
 - ! **grinding/cutting discs become very hot during use; do not touch them until they have cooled down**
 - ! **always mount backing pad when using sanding accessories**
 - ! **never use a grinding/cutting disc without the label (“blotter”) which is glued onto it (if provided)**
- Mounting of auxiliary handle E ⑥
 - ! **disconnect the plug**
 - screw auxiliary handle E on the right, the top, or the left of the tool (depending on the work to be carried out)
- Removing/mounting/adjusting of protective guard F ⑦
 - ! **disconnect the plug**
 - ! **ensure that the closed side of the protective guard always points to the operator**
- Before using the tool
 - ensure that accessory is correctly mounted and firmly tightened
 - check if accessory runs freely by turning it by hand
 - test-run tool for at least 30 seconds at highest no-load speed in a safe position
 - stop immediately in case of considerable vibration or other defects and check tool to determine the cause
- On/off locking switch H ⑧
 - switch on tool ⑧a
 - ! **be aware of the sudden impact when the tool is switched on**
 - ! **before the accessory reaches the workpiece, the tool should run at full speed**
 - lock switch ⑧b
 - unlock switch/switch off tool ⑧c
 - ! **before switching off the tool, you should lift it from the workpiece**
 - ! **the accessory continues to rotate for a short time after the tool has been switched off**
- Grinding ⑨
 - move the tool back and forth with moderate pressure
 - ! **never use a cutting disc for side grinding**
- Cutting ⑩
 - do not tilt the tool while cutting
 - always move the tool in same direction as arrow on tool head, in order to prevent the tool from being pushed out of the cut in an uncontrolled manner
 - do not apply pressure on the tool; let the speed of the cutting disc do the work

- the working speed of the cutting disc depends on the material to be cut
- do not brake cutting discs with side pressure
- Holding and guiding the tool
 - always hold the tool firmly with both hands, so you will have full control of the tool at all times
- ! **while working, always hold the tool at the grey-coloured grip area(s)** ①
- provide for a secure stance
- pay attention to the direction of rotation; always hold the tool so, that sparks and grinding/cutting dust fly away from the body
- keep ventilation slots J ② uncovered

APPLICATION ADVICE

- Instead of flange B ② the "CLIC" quick-clamping flange (SKIL accessory 2610388766) can be used; grinding/cutting discs can then be mounted without the use of accessory keys
- For more tips see www.skil.com

MAINTENANCE / SERVICE

- This tool is not intended for professional use
- Always keep tool and cord clean (especially ventilation slots J ②)
 - ! **do not attempt to clean ventilation slots by inserting pointed objects through openings**
 - ! **disconnect the plug before cleaning**
- If the tool should fail despite the care taken in manufacturing and testing procedures, repair should be carried out by an after-sales service centre for SKIL power tools
 - send the tool **undismantled** together with proof of purchase to your dealer or the nearest SKIL service station (addresses as well as the service diagram of the tool are listed on www.skil.com)

ENVIRONMENT

- **Do not dispose of electric tools, accessories and packaging together with household waste material** (only for EU countries)
 - in observance of European Directive 2002/96/EC on waste of electric and electronic equipment and its implementation in accordance with national law, electric tools that have reached the end of their life must be collected separately and returned to an environmentally compatible recycling facility
 - symbol ⑫ will remind you of this when the need for disposing occurs

DECLARATION OF CONFORMITY C E

- We declare under our sole responsibility that the product described under "Technical data" is in conformity with the following standards or standardization documents: EN 60745, EN 61000, EN 55014, in accordance with the provisions of the directives 2004/108/EC, 2006/42/EC, 2011/65/EU

- **Technical file at:** SKIL Europe BV (PT-SEU/ENG1), 4825 BD Breda, NL

Marijn van der Hoofden
Operations & Engineering

Olaf Dijkgraaf
Approval Manager




SKIL Europe BV, 4825 BD Breda, NL

05.08.2013

NOISE/VIBRATION

- Measured in accordance with EN 60745 the sound pressure level of this tool is 90 dB(A) and the sound power level 101 dB(A) (standard deviation: 3 dB), and the vibration * (hand-arm method; uncertainty K = 1.5 m/s²)
 - * when surface grinding 8.1 m/s²
 - * when sanding 6.2 m/s²
- ! **other applications (such as cutting-off or wire brushing) may have different vibration values**
- The vibration emission level has been measured in accordance with a standardised test given in EN 60745; it may be used to compare one tool with another and as a preliminary assessment of exposure to vibration when using the tool for the applications mentioned
 - using the tool for different applications, or with different or poorly maintained accessories, may significantly **increase** the exposure level
 - the times when the tool is switched off or when it is running but not actually doing the job, may significantly **reduce** the exposure level
- ! **protect yourself against the effects of vibration by maintaining the tool and its accessories, keeping your hands warm, and organizing your work patterns**

F

Meuleuse d'angle

9176

INTRODUCTION

- Cet outil sert au meulage, au tronçonnage et à l'ébarbage de pièces en métal et en pierre sans utiliser de l'eau; combiné avec des accessoires spécifiques, cet outil peut également servir au brossage et au ponçage
- Cet outil n'est conçu pour un usage professionnel
- **Les opérations de coupe avec disques à tronçonner abrasifs ne sont autorisées que si une protection de tronçonnage (disponible en option comme accessoire SKIL 2610399439) est utilisée**
- Lisez et conservez ce manuel d'instruction ③

CARACTERISTIQUES TECHNIQUES ①

ELEMENTS DE L'OUTIL ②

- A Arbre
- B Bride de serrage
- C Clé
- D Bouton de blocage de l'arbre

- E Poignée auxiliaire
- F Protège-main
- G Bride de montage
- H Interrupteur marche/arrêt de verrouillage
- J Fentes de ventilation

SECURITE

INSTRUCTIONS GENERALES DE SECURITE

⚠ ATTENTION! Lisez tous les avertissements de sécurité et toutes les instructions. Ne pas suivre les avertissements et instructions peut entraîner un choc électrique, un incendie et/ou de graves blessures sur les personnes. **Conservez tous les avertissements et toutes les instructions pour pouvoir s'y reporter ultérieurement.** La notion d'"outil électroportatif" dans les avertissements se rapporte à des outils électriques raccordés au secteur (avec câble de raccordement) et à des outils électriques à batterie (sans câble de raccordement).

1) SECURITE DE LA ZONE DE TRAVAIL

- a) **Maintenez l'endroit de travail propre et bien éclairé.**
Un lieu de travail en désordre ou mal éclairé augmente le risque d'accidents.
- b) **N'utilisez pas l'appareil dans un environnement présentant des risques d'explosion et où se trouvent des liquides, des gaz ou poussières inflammables.** Les outils électroportatifs génèrent des étincelles risquant d'enflammer les poussières ou les vapeurs.
- c) **Tenez les enfants et autres personnes éloignés durant l'utilisation de l'outil électroportatif.** En cas d'inattention vous risquez de perdre le contrôle sur l'appareil.

2) SECURITE RELATIVE AU SYSTEME ELECTRIQUE

- a) **La fiche de secteur de l'outil électroportatif doit être appropriée à la prise de courant. Ne modifiez en aucun cas la fiche. N'utilisez pas de fiches d'adaptateur avec des appareils avec mise à la terre.** Les fiches non modifiées et les prises de courant appropriées réduisent le risque de choc électrique.
- b) **Évitez le contact physique avec des surfaces mises à la terre telles que tuyaux, radiateurs, fours et réfrigérateurs.** Il y a un risque élevé de choc électrique au cas où votre corps serait relié à la terre.
- c) **N'exposez pas l'outil électroportatif à la pluie ou à l'humidité.** La pénétration d'eau dans un outil électroportatif augmente le risque d'un choc électrique.
- d) **N'utilisez pas le câble à d'autres fins que celles prévues, n'utilisez pas le câble pour porter l'appareil ou pour l'accrocher ou encore pour le débrancher de la prise de courant. Maintenez le câble éloigné des sources de chaleur, des parties grasses, des bords tranchants ou des parties de l'appareil en rotation.** Un câble endommagé ou torsadé augmente le risque d'un choc électrique.
- e) **Au cas où vous utiliseriez l'outil électroportatif à l'extérieur, utilisez une rallonge autorisée homologuée pour les applications extérieures.**
L'utilisation d'une rallonge électrique homologuée pour

les applications extérieures réduit le risque d'un choc électrique.

- f) **Si l'usage d'un outil dans un emplacement humide est inévitable, utilisez un disjoncteur de fuite à la terre.** L'utilisation d'un disjoncteur de fuite à la terre réduit le risque de choc électrique.
- ### 3) SECURITE DES PERSONNES
- a) **Restez vigilant, surveillez ce que vous faites. Faites preuve de bon sens en utilisant l'outil électroportatif. N'utilisez pas l'appareil lorsque vous êtes fatigué ou après avoir consommé de l'alcool, des drogues ou avoir pris des médicaments.** Un moment d'inattention lors de l'utilisation de l'appareil peut entraîner de graves blessures sur les personnes.
 - b) **Portez des équipements de protection. Portez toujours des lunettes de protection.** Le fait de porter des équipements de protection personnels tels que masque anti-poussières, chaussures de sécurité antidérapantes, casque de protection ou protection acoustique suivant le travail à effectuer, réduit le risque de blessures.
 - c) **Évitez tout démarrage intempestif. S'assurez que l'interrupteur est en position arrêt avant de brancher l'outil au secteur et/ou au bloc de batteries, de le ramasser ou de le porter.** Porter les outils en ayant le doigt sur l'interrupteur ou brancher des outils dont l'interrupteur est en position marche est source d'accidents.
 - d) **Enlevez tout outil de réglage ou toute clé avant de mettre l'appareil en fonctionnement.** Une clé ou un outil se trouvant sur une partie en rotation peut causer des blessures.
 - e) **Ne surestimez pas vos capacités. Veillez à garder toujours une position stable et équilibrée.** Ceci vous permet de mieux contrôler l'appareil dans des situations inattendues.
 - f) **Portez des vêtements appropriés. Ne portez pas de vêtements amples ni de bijoux. Maintenez cheveux, vêtements et gants éloignés des parties de l'appareil en rotation.** Des vêtements amples, des bijoux ou des cheveux longs peuvent être happés par des pièces en mouvement.
 - g) **Si des dispositifs servant à aspirer ou à recueillir les poussières doivent être utilisés, vérifiez que ceux-ci soient effectivement raccordés et qu'ils sont correctement utilisés.** L'utilisation des collecteurs de poussière réduit les dangers dus aux poussières.
- ### 4) UTILISATION ET EMPLOI SOIGNEUX DE L'OUTIL ELECTROPORTATIF
- a) **Ne surchargez pas l'appareil. Utilisez l'outil électroportatif approprié au travail à effectuer.** Avec l'outil électroportatif approprié, vous travaillerez mieux et avec plus de sécurité à la vitesse pour laquelle il est prévu.
 - b) **N'utilisez pas un outil électroportatif dont l'interrupteur est défectueux.** Un outil électroportatif qui ne peut plus être mis en ou hors fonctionnement est dangereux et doit être réparé.
 - c) **Débranchez la fiche de la source d'alimentation en courant et/ou le bloc de batteries de l'outil avant tout réglage, changement d'accessoires ou avant de**

ranger l'outil. Cette mesure de précaution empêche une mise en fonctionnement par mégarde.

- d) **Gardez les outils électroportatifs non utilisés hors de portée des enfants. Ne permettez pas l'utilisation de l'appareil à des personnes qui ne se sont pas familiarisées avec celui-ci ou qui n'ont pas lu ces instructions.** Les outils électroportatifs sont dangereux lorsqu'ils sont utilisés par des personnes non initiées.
- e) **Prenez soin des outils électroportatifs. Vérifiez que les parties en mouvement fonctionnent correctement et qu'elles ne soient pas coincées, et contrôlez si des parties sont cassées ou endommagées de telle sorte que le bon fonctionnement de l'appareil s'en trouve entravé. Faites réparer les parties endommagées avant d'utiliser l'appareil.** De nombreux accidents sont dus à des outils électroportatifs mal entretenus.
- f) **Maintenez les outils de coupe aiguisés et propres.** Des outils soigneusement entretenus avec des bords tranchants bien aiguisés se coincent moins souvent et peuvent être guidés plus facilement.
- g) **Utilisez les outils électroportatifs, les accessoires, les outils à monter etc. conformément à ces instructions. Tenez compte également des conditions de travail et du travail à effectuer.** L'utilisation des outils électroportatifs à d'autres fins que celles prévues peut entraîner des situations dangereuses.

5) SERVICE

- a) **Ne faites réparer votre outil électroportatif que par un personnel qualifié et seulement avec des pièces de rechange d'origine.** Ceci permet d'assurer la sécurité de l'appareil.

INSTRUCTIONS DE SECURITE POUR MEULEUSES D'ANGLES

1) INSTRUCTIONS DE SECURITE POUR TOUS LES UTILISATIONS

- a) **Cet outil électroportatif est à utiliser en tant que meuleuse, ponceuse au papier de verre, brosse métallique, et en tant qu'outil de tronçonnage. Respecter tous les avertissements, instructions, représentations et données qui sont fournis avec l'outil électroportatif.** Un non-respect des instructions suivantes peut entraîner un choc électrique et / ou de graves blessures.
- b) **Cet outil électrique n'est pas recommandé pour réaliser des opérations de polissage.** Les opérations pour lesquelles cet outil électrique n'a pas été conçu peuvent constituer un risque et provoquer des blessures.
- c) **Ne pas utiliser des accessoires qui ne sont pas spécialement prévus et recommandés par le fabricant pour cet outil électroportatif.** Le fait de pouvoir monter les accessoires sur votre outil électroportatif ne garantit pas une utilisation en toute sécurité.
- d) **La vitesse de rotation admissible de l'accessoire doit être au moins égale à la vitesse de rotation maximale de l'outil électroportatif.** Les accessoires qui tournent à une vitesse de rotation supérieure à celle qui est admise risquent d'être détruits.
- e) **Le diamètre extérieur et la largeur de l'accessoire doivent correspondre aux cotes de votre outil électroportatif.** Les accessoires de mauvaises dimensions ne peuvent pas être protégés ni contrôlés de façon suffisante.
- f) **Le montage fileté d'accessoires doit être adapté au filet de l'arbre de la meuleuse. Pour les accessoires montés avec des flasques, l'alésage central de l'accessoire doit s'adapter correctement au diamètre du flasque.** Les accessoires qui ne correspondent pas aux éléments de montage de l'outil électrique seront en déséquilibre, vibreront de manière excessive et pourront provoquer une perte de contrôle.
- g) **Ne pas utiliser des accessoires endommagés. Avant chaque utilisation, contrôler les accessoires tels que meules pour détecter des éclats et des fissures, les plateaux de ponçage pour détecter des fissures, une certaine usure ou des signes de forte usure, les brosses métalliques pour détecter des fils détachés ou cassés. Au cas où l'outil électroportatif ou l'accessoire tomberait, contrôler s'il est endommagé ou utiliser un accessoire intact. Après avoir contrôlé et monté l'accessoire, se tenir à distance du niveau de l'accessoire en rotation ainsi que les personnes se trouvant à proximité et laisser tourner l'outil électroportatif à la vitesse maximale pendant une minute.** Dans la plupart des cas, les accessoires endommagés cassent pendant ce temps d'essai.
- h) **Porter des équipements de protection personnels**
 - ④. **Selon l'utilisation, porter une protection complète pour le visage, une protection oculaire ou des lunettes de protection. Si nécessaire, porter un masque anti-poussière, une protection acoustique, des gants de protection ou un tablier spécial qui vous protège de petites particules de matériau causées par le meulage.** Protéger vos yeux de corps étrangers projetés dans l'air lors des différentes utilisations. Les masques anti-poussière ou les masques respiratoires doivent filtrer la poussière générée lors de l'utilisation. Une exposition trop longue au bruit fort peut entraîner une perte d'audition.
 - i) **Garder une distance de sécurité suffisante entre votre zone de travail et les personnes se trouvant à proximité. Toute personne entrant dans la zone de travail doit porter un équipement de protection individuel.** Des fragments de pièces ou d'accessoires cassés peuvent être projetés et causer des blessures même en dehors de la zone directe de travail.
 - j) **Ne tenir l'outil électroportatif qu'aux poignées isolées, lors de la réalisation d'une opération au cours de laquelle l'accessoire de coupe peut entrer en contact avec un câblage non apparent ou son propre câble d'alimentation.** Le contact avec un fil sous tension peut également mettre sous tension les parties métalliques de l'outil électrique et provoquer un choc électrique sur l'opérateur.
 - k) **Garder le câble de secteur à distance des accessoires en rotation.** Si vous perdez le contrôle de l'outil, le câble de secteur peut être sectionné ou happé et votre main ou votre bras risquent d'être happés par l'accessoire en rotation.

- l) **Déposer l'outil électroportatif seulement après l'arrêt total de l'accessoire.** L'accessoire en rotation peut toucher la surface sur laquelle l'outil est posé, ce qui risque de vous faire perdre le contrôle de l'outil électroportatif.
- m) **Ne pas laisser tourner l'outil électroportatif pendant que vous le portez.** Suite à un contact involontaire, vos vêtements peuvent être happés par l'accessoire en rotation, et l'accessoire peut rentrer dans votre corps.
- n) **Nettoyer régulièrement les ouïes de ventilation de votre outil électroportatif.** La ventilation du moteur aspire de la poussière dans le carter, et de la poussière de métal en trop grande quantité peut causer des dangers électriques.
- o) **Ne pas utiliser l'outil électroportatif lorsqu'il y a des matériaux inflammables à proximité.** Les étincelles risquent d'enflammer ces matériaux.
- p) **Ne pas utiliser des accessoires qui nécessitent des liquides de refroidissement.** L'utilisation d'eau ou d'autres liquides de refroidissement peut entraîner un choc électrique.

2) CONTRECOUP ET AVERTISSEMENTS CORRESPONDANTS

- Un contrecoup est une réaction soudaine causée par un accessoire en rotation qui s'accroche ou qui se bloque, tels que meule, plateau de ponçage, brosse métallique, etc. Un coincage ou un blocage entraîne un arrêt soudain de l'accessoire en rotation. Il en résulte que l'outil électroportatif incontrôlé est accéléré à l'endroit du blocage dans le sens inverse de l'accessoire.
- Par ex., si une meule s'accroche ou si elle se bloque dans la pièce, le bord de la meule qui entre dans la pièce peut se coincer et faire que la meule se déplace ou causer un contrecoup. En fonction du sens de rotation de la meule à l'endroit de blocage, la meule s'approche ou s'éloigne alors de l'utilisateur. Les meules peuvent également casser.
- Un contrecoup est la suite d'une mauvaise utilisation ou une utilisation incorrecte de l'outil électroportatif. Il peut être évité en prenant des mesures de précaution comme celles décrites ci-dessous.
- a) **Bien tenir l'outil électroportatif et se mettre dans une position permettant de faire face à des forces de contrecoup.** Utiliser toujours la poignée supplémentaire, s'il y en a une, pour contrôler au maximum les forces de contrecoup ou les couples de réaction lors de l'accélération à pleine vitesse. Par des mesures de précaution appropriées, la personne travaillant avec l'outil peut contrôler le contrecoup et les forces du contrecoup.
- b) **Ne pas mettre votre main à proximité des accessoires en rotation.** Lors d'un contrecoup, l'accessoire risque de passer sur votre main.
- c) **Éviter de vous placer dans la zone dans laquelle l'outil électroportatif ira lors d'un contrecoup.** Le contrecoup entraîne l'outil électroportatif dans le sens opposé au mouvement de la meule à l'endroit de blocage.
- d) **Être extrêmement vigilant lors du travail de coins, d'arêtes coupantes etc. Éviter que les accessoires ne rebondissent contre pièce à travailler et ne se coincent.** L'accessoire en rotation a tendance à se

coincer aux coins, arêtes coupantes ou quand il rebondit. Ceci cause une perte de contrôle ou un contrecoup.

- e) **Ne pas utiliser de lames de scie à chaînes ou dentées.** De tels accessoires risquent de produire un contrecoup ou une perte de contrôle de l'outil électroportatif.
- ### 3) AVERTISSEMENTS PARTICULIERS POUR LE PONÇAGE ET LE TRONÇONNAGE ABRASIF
- a) **Pour votre outil électroportatif, n'utiliser que des meules autorisées et le capot de protection conçu pour cette meule.** Les meules qui n'ont pas été conçues pour cet outil électroportatif, ne peuvent pas être suffisamment protégées et présentent alors un danger.
 - b) **La surface de meulage des meules à moyeu déporté doit être montée sous le plan de la lèvre du protecteur.** Une meule montée de manière incorrecte qui dépasse du plan de la lèvre du protecteur ne peut pas être protégée de manière appropriée.
 - c) **Le capot de protection doit être bien monté sur l'outil électroportatif et être réglé de façon à obtenir une sécurité maximale, c-à-d. que la meule ne doit pas être dirigée sans protection vers la personne travaillant avec l'outil.** Le capot de protection doit protéger l'opérateur des fragments de meule cassés, d'un contact accidentel avec la meule et d'étincelles qui pourraient enflammer le vêtement.
 - d) **Les meules ne doivent être utilisées que pour les utilisations recommandées.** Par ex.: Ne jamais poncer avec la surface latérale d'un disque à tronçonner. Les disques à tronçonner sont faits pour enlever de la matière avec le bord du disque. Les forces latérales agissant sur de telles meules peuvent en provoquer la destruction.
 - e) **Utiliser toujours des brides de serrage en parfait état qui ont la bonne taille et la forme appropriée à la meule choisie.** Les brides appropriées soutiennent la meule et réduisent alors le danger de voir la meule se casser. Les brides pour les disques à tronçonner peuvent différer de celles pour les autres disques à meuler.
 - f) **Ne pas utiliser les meules usées d'outils électroportatifs plus grands.** Les meules pour les outils électroportatifs plus grands ne sont pas conçues pour les vitesses de rotation élevées des outils électroportatifs plus petits et risquent de casser.
- ### 4) AUTRES AVERTISSEMENTS PARTICULIERS POUR LE TRONÇONNAGE
- a) **Éviter de coincer le disque à tronçonner ou d'appliquer une pression trop élevée. Ne pas réaliser des coupes trop profondes.** Une surcharge du disque à tronçonner en augmente la sollicitation, donc le risque de se coincer ou de se bloquer, ce qui entraînerait un contrecoup ou la destruction de la meule.
 - b) **Éviter la zone se trouvant devant et derrière le disque à tronçonner en rotation.** Si vous éloignez de vous le disque à tronçonner qui se trouve dans la pièce à travailler, l'outil électroportatif peut être projeté directement vers vous dans le cas d'un contrecoup.
 - c) **Si le disque à tronçonner se coince ou lors d'une interruption de travail, mettre l'outil électroportatif hors fonctionnement et le tenir tranquillement jusqu'à l'arrêt total de la meule. Ne jamais essayer de sortir du tracé le disque à tronçonner encore en rotation, sinon il y a un risque de contrecoup.** Déterminer la cause du blocage et l'éliminer.

d) **Ne pas remettre l'outil électroportatif en marche tant qu'il se trouve dans la pièce à travailler. Attendre que le disque à tronçonner ait atteint sa vitesse de rotation maximale avant de continuer prudemment la coupe.** Sinon, le disque risque de se coincer, sauter de la pièce ou causer un contrecoup.

e) **Soutenir des grands panneaux ou de grandes pièces à travailler afin de réduire le risque d'un contrecoup causé par un disque à tronçonner coincé.** Les grandes pièces risquent de s'arquer sous leur propre poids. La pièce doit être soutenue des deux côtés par des supports, près du tracé ainsi qu'aux bords de la pièce.

f) **Faire preuve d'une prudence particulière lorsqu'une coupe en plongée est effectuée dans des murs ou dans d'autres endroits difficiles à reconnaître.** Le disque à tronçonner qui pénètre dans le mur peut heurter des conduites de gaz ou d'eau, des conduites électriques ou des objets pouvant causer un contrecoup.

5) AVERTISSEMENTS PARTICULIERS POUR LE PONÇAGE AU PAPIER DE VERRE

a) **Ne pas utiliser des feuilles abrasives de dimensions trop grandes, mais respectez les indications du fabricant concernant la taille de la feuille abrasive.** Les feuilles abrasives qui dépassent le plateau de ponçage peuvent entraîner des blessures et causer le blocage ou la déchirure des feuilles abrasives ou un contrecoup.

6) AVERTISSEMENTS PARTICULIERS POUR LES TRAVAUX AVEC BROSSES MÉTALLIQUES

a) **Tenir compte du fait que la brosse métallique perd des fils métalliques même pendant le travail normal. Ne pas trop solliciter les fils métalliques par une pression trop élevée.** Les fils métalliques qui sont éjectés peuvent facilement pénétrer dans des vêtements fins et/ou la peau.

b) **Si un capot de protection est recommandé, éviter que le capot de protection et la brosse métallique ne puissent se toucher.** Les brosses plateaux et les brosses boisseaux peuvent augmenter de diamètre à cause de la pression et des forces centrifuges.

GENERALITES

- Cet outil ne convient pas pour meuler/tronçonner à mouillage
- Utilisez uniquement les brides livrées avec l'outil
- Cet outil ne doit pas être utilisé par des personnes de moins de 16 ans
- **Débranchez toujours l'outil avant tout réglage ou changement d'accessoire**

ACCESSOIRES

- SKIL ne peut se porter garant du bon fonctionnement de cet outil que s'il a été utilisé avec les accessoires d'origine
- **N'utilisez que des disques de meulage/tronçonnage ayant une épaisseur maximale de 8 mm et un orifice d'arbre d'un diamètre de 22 mm**
- Pour le montage et l'utilisation d'accessoires n'étant pas de la marque SKIL, observez les instructions du fabricant concerné
- N'utilisez jamais de réducteurs ni d'adaptateurs pour ajuster des disques ayant un orifice plus grand
- Ne jamais utilisez d'accessoires avec un orifice fileté borgne plus petit que M14 x 21 mm

UTILISATION A L'EXTERIEUR

- Branchez l'outil par l'intermédiaire d'un coupe-circuit (FI) avec courant de réaction de 30 mA au maximum

AVANT L'USAGE

- Avant d'utiliser l'outil pour la première fois, s'en faites enseigner le maniement pratique
- Contrôlez toujours si la tension secteur correspond à la tension indiquée sur la plaquette signalétique de l'outil (les outils conçus pour une tension de 230V ou 240V peuvent également être branchés sur 220V)
- Toujours placez la poignée auxiliaire E ② et le protège-main F ②; ne jamais utilisez l'outil sans avoir pris ces dispositions
- **Utilisez des détecteurs appropriés afin de localiser la présence de conduites électriques ou bien s'adresser à la société locale de distribution** (un contact avec des lignes électriques peut provoquer un incendie et une décharge électrique; le fait d'endommager une conduite de gaz peut entraîner une explosion; le fait d'endommager une conduite d'eau peut entraîner des dégâts matériels ou causer une décharge électrique)
- **Ne travaillez pas de matériaux contenant de l'amiante** (l'amiante est considérée comme étant cancérigène)
- La poussière de matériaux, tels que la peinture contenant du plomb, certaines espèces de bois, certains minéraux et différents métaux, peut être nocive (le contact avec la poussière ou son inhalation peut provoquer des réactions allergiques et/ou des maladies respiratoires chez l'opérateur ou des personnes se trouvant à proximité); **portez un masque antipoussières et travaillez avec un appareil de dépolluissage lorsqu'il est possible d'en connecter un**
- Certains types de poussières sont classifiés comme étant cancérigènes (tels que la poussière de chêne ou de hêtre), en particulier en combinaison avec des additifs de traitement du bois; **portez un masque antipoussières et travaillez avec un appareil de dépolluissage lorsqu'il est possible d'en connecter un**
- Suivez les directives nationales relatives au dépolluissage pour les matériaux à travailler
- Faites fort attention à la découpe d'entailles, particulièrement dans des murs de soutènement (les murs de soutènement sont soumis à des régulations en fonction du pays; il faut en toutes circonstances observer ces régulations)
- **Fixez solidement la pièce à travailler** (une pièce fixée à l'aide de dispositifs de fixation est davantage assurée que si elle était tenue à la main)
- Ne pas serrez l'outil dans un étau
- Utilisez un câble de prolongement complètement déroulé et de bonne qualité d'une capacité de 16 A

PENDANT L'USAGE

- Si le câble est endommagé ou rompu pendant le travail, n'y touchez pas, mais débranchez immédiatement la prise
- N'utilisez jamais d'outil avec un câble endommagé; faites-le remplacer par un technicien qualifié
- En cas de dysfonctionnement électrique ou mécanique, mettez directement l'outil hors service et débranchez la fiche

- En cas d'interruption de courant ou de débranchement accidentel de la fiche, débloquent immédiatement l'interrupteur marche/arrêt H ② pour éviter une remise en route non contrôlée

APRES L'USAGE

- Après la mise hors service de l'outil, ne jamais arrêtez la rotation de l'accessoire en y appliquant une force latérale

UTILISATION

- Montage des accessoires ②
 - ! **débranchez la fiche**
 - nettoyez l'arbre A ainsi que toutes les pièces à monter
 - serrez la bride de serrage B avec la clé C tout en appuyant sur le bouton de blocage de l'arbre D
 - ! **poussez uniquement le bouton de blocage de l'arbre D lorsque l'arbre A est à l'arrêt**
 - procédez dans l'ordre inverse pour démonter les accessoires
 - ! **à l'usage, les disques de meulage/tronçonnage s'échauffent énormément; ne pas y touchez avant qu'ils ne se soient refroidis**
 - ! **toujours montez le support plateau lorsqu'on utilise des accessoires de ponçage**
 - ! **ne jamais utilisez de disque de meulage/tronçonnage ne portant pas l'étiquette collée dessus (si fournie)**
- Montage de la poignée auxiliaire E ⑥
 - ! **débranchez la fiche**
 - vissez la poignée auxiliaire E à droite, au-dessus ou à gauche de l'outil (selon le travail à effectuer)
- Démontage/montage/réglage du protège-main F ⑦
 - ! **débranchez la fiche**
 - ! **s'assurez que la section fermée du protège-main soit toujours dirigée vers l'opérateur**
- Avant toute utilisation
 - assurez-vous que l'accessoire soit correctement monté et fermement serré
 - vérifiez manuellement que l'accessoire tourne aisément
 - testez l'outil à vide au moins 30 secondes à vitesse maximum dans une position de sécurité
 - arrêtez l'outil immédiatement dans le cas de vibrations considérables ou la présence d'autres défauts et vérifiez l'outil pour en déterminer la cause
- Interrupteur on/off de verrouillage H ⑧
 - mettez en marche l'outil ③a
 - ! **méfiez-vous de l'impact brusque de la puissance à la mise en marche de l'outil**
 - ! **avant que l'accessoire atteigne la pièce à travailler, l'outil doit tourner à la vitesse maximum**
 - verrouillez l'interrupteur ③b
 - déverrouillez l'interrupteur/arrêtez l'outil ③c
 - ! **avant d'arrêter l'outil, vous devriez le soulever de la pièce à travailler**
 - ! **l'accessoire continue à tourner quelques temps après que l'outil ait été arrêté**
- Meulage ⑨
 - déplacez l'outil de côté et d'autre et exercez une pression modérée
 - ! **ne jamais utilisez un disque de tronçonnage pour le meulage latéral**

- Tronçonnage ⑩
 - ne pas inclinez l'outil pendant le tronçonnage
 - toujours déplacez l'outil dans la même direction marquée par la flèche sur la tête, afin d'éviter que l'outil ne sorte avec violence de l'entaille
 - ne jamais appliquez une trop forte pression sur l'outil; laissez au disque le soin de faire le travail de par sa propre vitesse
 - la vitesse de travail du disque de tronçonnage dépend du matériau à tronçonner
 - ne pas freinez les disques de tronçonnage en appliquant une pression latérale
- Tenue et guidage de l'outil
 - toujours tenez l'outil fermement à deux mains pour bien le maîtriser dans toutes les circonstances et à tout moment
 - ! **lorsque vous travaillez, tenez toujours l'outil par la(les) zone(s) de couleur grise ⑪**
 - veillez à ce que votre position soit bien stable
 - prêtez attention au sens de rotation de l'outil; toujours tenez l'outil de telle sorte que les étincelles et les éclats de meulage/tronçonnage ne soient pas dirigés vers le corps de l'opérateur
 - veillez à ce que les fentes de ventilation J ② soient découvertes

CONSEILS D'UTILISATION


- Au lieu de la bride B ②, il est possible d'utiliser la bride de serrage rapide (accessoire SKIL 2610388766); les disques de meulage/tronçonnage peuvent alors être montés sans avoir besoin de clé spéciale
- Pour des suggestions complémentaires voyez www.skil.com

ENTRETIEN / SERVICE APRES-VENTE

- Cet outil n'est pas conçu pour un usage professionnel
- Gardez toujours votre outil et le câble propres (spécialement les aérations J ②)
 - ! **ne tenez pas de nettoyer les aérations en introduisant des objets pointus par les fentes**
 - ! **débranchez la fiche avant le nettoyage**
- Si, malgré tous les soins apportés à la fabrication et au contrôle de l'outil, celui ci devait avoir un défaut, la réparation ne doit être confiée qu'à une station de service après-vente agréée pour outillage SKIL
 - retournez l'outil **non démonté** avec votre preuve d'achat au revendeur ou au centre de service après-vente SKIL le plus proche (les adresses ainsi que la vue éclatée de l'outil figurent sur www.skil.com)

ENVIRONNEMENT

- **Ne jetez pas les outils électriques, les accessoires et l'emballage dans les ordures ménagères** (pour les pays européens uniquement)
 - conformément à la directive européenne 2002/96/EG relative aux déchets d'équipements électriques ou électroniques, et à sa transposition dans la législation nationale, les outils électriques usés doivent être collectés séparément et faire l'objet d'un recyclage respectueux de l'environnement

- le symbole  vous le rappellera au moment de la mise au rebut de l'outil

DÉCLARATION DE CONFORMITÉ

- Nous déclarons sous notre propre responsabilité que le produit décrit sous "Caractéristiques techniques" est en conformité avec les normes ou documents normatifs suivants: EN 60745, EN 61000, EN 55014, conformément aux termes des réglementations en vigueur 2004/108/CE, 2006/42/CE, 2011/65/UE
- **Dossier technique auprès de:** SKIL Europe BV (PT-SEU/ENG1), 4825 BD Breda, NL

Marijn van der Hoofden
Operations & Engineering

Olaf Dijkgraaf
Approval Manager

SKIL Europe BV, 4825 BD Breda, NL

05.08.2013

BRUIT/VIBRATION

- Mesuré selon EN 60745 le niveau de la pression sonore de cet outil est 90 dB(A) et le niveau de la puissance sonore 101 dB(A) (déviation standard: 3 dB), et la vibration * (méthode main-bras; incertitude K = 1,5 m/s²)
 - * pendant le meulage 8,1 m/s²
 - * pendant le ponçage 6,2 m/s²
- ! **des autres applications (comme tronçonner ou travailler avec brosses métalliques) peuvent entraîner des valeurs de vibration différentes**
- Le niveau de vibrations émises a été mesuré conformément à l'essai normalisé de la norme EN 60745; il peut être utilisé pour comparer plusieurs outils et pour réaliser une évaluation préliminaire de l'exposition aux vibrations lors de l'utilisation de l'outil pour les applications mentionnées
 - l'utilisation de l'outil dans d'autres applications, ou avec des accessoires différents ou mal entretenus, peut considérablement **augmenter** le niveau d'exposition
 - la mise hors tension de l'outil et sa non-utilisation pendant qu'il est allumé peuvent considérablement **réduire** le niveau d'exposition
- ! **protégez-vous contre les effets des vibrations par un entretien correct de l'outil et de ses accessoires, en gardant vos mains chaudes et en structurant vos schémas de travail**


D

Winkelschleifer

9176

EINLEITUNG

- Dieses Werkzeug ist für das Schleifen, Trennen und Entgraten von Metall- und Steinwerkstoffen ohne Zuhilfenahme von Wasser bestimmt; mit geeignetem Zubehör kann das Werkzeug auch für das Bürsten und Schleifen benutzt werden

- Dieses Werkzeug eignet sich nicht für den professionellen Einsatz
- **Trennschleifen mit Trennscheiben ist nur möglich, wenn eine Schutzhaube (optional als SKIL Zubehör 2610399439 erhältlich) verwendet wird**
- Bitte diese Bedienungsanleitung sorgfältig lesen und aufbewahren 


TECHNISCHE DATEN

WERKZEUGKOMPONENTEN

- A Spindel
- B Spannfansch
- C Spannschlüssel
- D Spindelarretierungsknopf
- E Zusatzgriff
- F Schutzhaube
- G Befestigungsflansch
- H Ein-/Aus Arretierungsschalter
- J Lüftungsschlitze

SICHERHEIT

ALLGEMEINE SICHERHEITSHINWEISE

 **ACHTUNG! Lesen Sie alle Sicherheitshinweise und Anweisungen.** Versäumnisse bei der Einhaltung der Sicherheitshinweise und Anweisungen können elektrischen Schlag, Brand und/oder schwere Verletzungen verursachen. **Bewahren Sie alle Sicherheitshinweise und Anweisungen für die Zukunft auf.** Der in den Sicherheitshinweisen verwendete Begriff "Elektrowerkzeug" bezieht sich auf netzbetriebene Elektrowerkzeuge (mit Netzkabel) und auf akkubetriebene Elektrowerkzeuge (ohne Netzkabel).

1) ARBEITSPLATZSICHERHEIT

- a) **Halten Sie Ihren Arbeitsbereich sauber und gut beleuchtet.** Unordnung oder unbeleuchtete Arbeitsbereiche können zu Unfällen führen.
- b) **Arbeiten Sie mit dem Gerät nicht in explosionsgefährdeter Umgebung, in der sich brennbare Flüssigkeiten, Gase oder Stäube befinden.** Elektrowerkzeuge erzeugen Funken, die den Staub oder die Dämpfe entzünden können.
- c) **Halten Sie Kinder und andere Personen während der Benutzung des Elektrowerkzeugs fern.** Bei Ablenkung können Sie die Kontrolle über das Gerät verlieren.

2) ELEKTRISCHE SICHERHEIT

- a) **Der Anschlussstecker des Gerätes muss in die Steckdose passen. Der Stecker darf in keiner Weise verändert werden. Verwenden Sie keine Adapterstecker gemeinsam mit schutzgeerdeten Geräten.** Unveränderte Stecker und passende Steckdosen verringern das Risiko eines elektrischen Schlages.
- b) **Vermeiden Sie Körperkontakt mit geerdeten Oberflächen, wie von Rohren, Heizungen, Herden und Kühlschränken.** Es besteht ein erhöhtes Risiko durch elektrischen Schlag, wenn Ihr Körper geerdet ist.

- c) **Halten Sie das Gerät von Regen oder Nässe fern.** Das Eindringen von Wasser in ein Elektrogerät erhöht das Risiko eines elektrischen Schlages.
- d) **Zweckentfremden Sie das Kabel nicht, um das Gerät zu tragen, aufzuhängen oder um den Stecker aus der Steckdose zu ziehen. Halten Sie das Kabel fern von Hitze, Öl, scharfen Kanten oder sich bewegenden Geräteteilen.** Beschädigte oder verwickelte Kabel erhöhen das Risiko eines elektrischen Schlages.
- e) **Wenn Sie mit einem Elektrowerkzeug im Freien arbeiten, verwenden Sie nur Verlängerungskabel, die auch für den Außenbereich zugelassen sind.** Die Anwendung eines für den Außenbereich geeigneten Verlängerungskabels verringert das Risiko eines elektrischen Schlages.
- f) **Wenn der Betrieb des Elektrowerkzeuges in feuchter Umgebung nicht vermeidbar ist, verwenden Sie einen Fehlerstromschutzschalter.** Der Einsatz eines Fehlerstromschutzschalters vermindert das Risiko eines elektrischen Schlages.

3) SICHERHEIT VON PERSONEN

- a) **Seien Sie aufmerksam, achten Sie darauf, was Sie tun, und gehen Sie mit Vernunft an die Arbeit mit einem Elektrowerkzeug. Benutzen Sie das Gerät nicht, wenn Sie müde sind oder unter dem Einfluss von Drogen, Alkohol oder Medikamenten stehen.** Ein Moment der Unachtsamkeit beim Gebrauch des Gerätes kann zu ernsthaften Verletzungen führen.
- b) **Tragen Sie persönliche Schutzausrüstung und immer eine Schutzbrille.** Das Tragen persönlicher Schutzausrüstung, wie Staubmaske, rutschfeste Sicherheitsschuhe, Schutzhelm oder Gehörschutz, je nach Art und Einsatz des Elektrowerkzeuges, verringert das Risiko von Verletzungen.
- c) **Vermeiden Sie eine unbeabsichtigte Inbetriebnahme. Vergewissern Sie sich, dass das Elektrowerkzeug ausgeschaltet ist, bevor Sie es an die Stromversorgung und/oder den Akku anschließen, es aufnehmen oder tragen.** Wenn Sie beim Tragen des Elektrowerkzeuges den Finger am Schalter haben oder das Gerät eingeschaltet an die Stromversorgung anschließen, kann dies zu Unfällen führen.
- d) **Entfernen Sie Einstellwerkzeuge oder Schraubenschlüssel, bevor Sie das Gerät einschalten.** Ein Werkzeug oder Schlüssel, der sich in einem drehenden Geräteteil befindet, kann zu Verletzungen führen.
- e) **Überschätzen Sie sich nicht. Sorgen Sie für einen sicheren Stand und halten Sie jederzeit das Gleichgewicht.** Dadurch können Sie das Gerät in unerwarteten Situationen besser kontrollieren.
- f) **Tragen Sie geeignete Kleidung. Tragen Sie keine weite Kleidung oder Schmuck. Halten Sie Haare, Kleidung und Handschuhe fern von sich bewegenden Teilen.** Lockere Kleidung, Schmuck oder lange Haare können von sich bewegenden Teilen erfasst werden.
- g) **Wenn Staubabsaug- und -auffangeinrichtungen montiert werden können, vergewissern Sie sich, dass diese angeschlossen sind und richtig**

verwendet werden. Verwendung einer Staubabsaugung verringert Gefährdungen durch Staub.

4) SORGFÄLTIGER UMGANG UND GEBRAUCH VON ELEKTROWERKZEUGEN

- a) **Überlasten Sie das Gerät nicht. Verwenden Sie für Ihre Arbeit das dafür bestimmte Elektrowerkzeug.** Mit dem passenden Elektrowerkzeug arbeiten Sie besser und sicherer im angegebenen Leistungsbereich.
 - b) **Benutzen Sie kein Elektrowerkzeug, dessen Schalter defekt ist.** Ein Elektrowerkzeug, das sich nicht mehr ein- oder ausschalten lässt, ist gefährlich und muss repariert werden.
 - c) **Ziehen Sie den Stecker aus der Steckdose und/oder entfernen Sie den Akku, bevor Sie Geräteeinstellungen vornehmen, Zubehörteile wechseln oder das Gerät weglegen.** Diese Vorsichtsmaßnahme verhindert den unbeabsichtigten Start des Geräts.
 - d) **Bewahren Sie unbenutzte Elektrowerkzeuge außerhalb der Reichweite von Kindern auf. Lassen Sie Personen das Gerät nicht benutzen, die mit diesem nicht vertraut sind oder diese Anweisungen nicht gelesen haben.** Elektrowerkzeuge sind gefährlich, wenn Sie von unerfahrenen Personen benutzt werden.
 - e) **Pflegen Sie das Gerät mit Sorgfalt. Kontrollieren Sie, ob bewegliche Geräteteile einwandfrei funktionieren und nicht klemmen, ob Teile gebrochen oder so beschädigt sind, dass die Funktion des Gerätes beeinträchtigt ist. Lassen Sie beschädigte Teile vor dem Einsatz des Geräts reparieren.** Viele Unfälle haben ihre Ursache in schlecht gewarteten Elektrowerkzeugen.
 - f) **Halten Sie Schneidwerkzeuge scharf und sauber.** Sorgfältig gepflegte Schneidwerkzeuge mit scharfen Schneidkanten verklemmen sich weniger und sind leichter zu führen.
 - g) **Verwenden Sie Elektrowerkzeug, Zubehör, Einsatzwerkzeuge usw. entsprechend diesen Anweisungen. Berücksichtigen Sie dabei die Arbeitsbedingungen und die auszuführende Tätigkeit.** Der Gebrauch von Elektrowerkzeugen für andere als die vorgesehenen Anwendungen kann zu gefährlichen Situationen führen.
- ### 5) SERVICE
- a) **Lassen Sie Ihr Gerät nur von qualifiziertem Fachpersonal und nur mit Original-Ersatzteilen reparieren.** Damit wird sichergestellt, dass die Sicherheit des Geräts erhalten bleibt.

SICHERHEITSHINWEISE FÜR WINKELSCHLEIFER

1) SICHERHEITSHINWEISE FÜR ALLE ANWENDUNGEN

- a) **Dieses Elektrowerkzeug ist zu verwenden als Schleifer, Sandpapierschleifer, Drahtbürste, und Trennschleifmaschine. Beachten Sie alle Warnhinweise, Anweisungen, Darstellungen und Daten, die Sie mit dem Werkzeug erhalten.** Wenn Sie die folgenden Anweisungen nicht beachten, kann es zu elektrischem Schlag, Feuer und/oder schweren Verletzungen kommen.
- b) **Dieses Elektrowerkzeug wird nicht zum Polieren empfohlen.** Anwendungen, für die dieses

- Elektrowerkzeug nicht ausgelegt ist, stellen ein Risiko dar; es besteht Verletzungsgefahr.
- c) **Verwenden Sie kein Zubehör, das vom Hersteller nicht speziell für dieses Elektrowerkzeug vorgesehen und empfohlen wurde.** Nur weil Sie das Zubehör an Ihrem Elektrowerkzeug befestigen können, garantiert das keine sichere Verwendung.
 - d) **Die zulässige Drehzahl des Zubehörs muss mindestens so hoch sein wie die auf dem Elektrowerkzeug angegebene Höchstdrehzahl.** Zubehör, das sich schneller als zulässig dreht, kann zerstört werden.
 - e) **Außendurchmesser und Dicke des Zubehörs müssen den Maßangaben Ihres Elektrowerkzeugs entsprechen.** Falsch bemessenes Zubehör kann nicht ausreichend abgeschirmt oder kontrolliert werden.
 - f) **Einsatzwerkzeuge mit Gewindeeinsatz müssen genau auf das Gewinde der Schweißspindel passen. Bei Einsatzwerkzeugen, die mittels Flansch montiert werden, muss der Lochdurchmesser des Einsatzwerkzeugs zum Aufnahmedurchmesser des Flansches passen.** Einsatzwerkzeuge, die nicht genau am Elektrowerkzeug befestigt werden, drehen sich ungleichmäßig, vibrieren sehr stark und können zum Verlust der Kontrolle führen.
 - g) **Verwenden Sie kein beschädigtes Zubehör. Kontrollieren Sie vor jeder Verwendung Zubehör wie Schleifscheiben auf Absplinterungen und Risse, Schleifteller auf Risse, Verschleiß oder starke Abnutzung, Drahtbürsten auf lose oder gebrochene Drähte. Wenn das Elektrowerkzeug oder das Zubehör herunterfällt, überprüfen Sie, ob es beschädigt ist, oder verwenden Sie ein unbeschädigtes Zubehör. Wenn Sie das Zubehör kontrolliert und eingesetzt haben, halten Sie sich und in der Nähe befindliche Personen sicher außerhalb der Ebene des rotierenden Zubehörs und lassen Sie das Werkzeug eine Minute lang mit Höchstdrehzahl laufen.** Beschädigtes Zubehör bricht meist in dieser Testzeit.
 - h) **Tragen Sie persönliche Schutzausrüstung ④. Verwenden Sie je nach Anwendung Vollgesichtsschutz, Augenschutz oder Schutzbrille. Soweit angemessen, tragen Sie Staubmaske, Gehörschutz, Schutzhandschuhe oder Spezialschürze, die kleine Schlei- und Materialpartikel von Ihnen fernhält.** Die Augen sollen vor herumfliegenden Fremdkörpern geschützt werden, die bei verschiedenen Anwendungen entstehen. Staub- oder Atemschutzmaske müssen den bei der Anwendung entstehenden Staub filtern. Wenn Sie lange lautem Lärm ausgesetzt sind, können Sie einen Hörverlust erleiden. Verwenden Sie je nach Anwendung Vollgesichtsschutz, Augenschutz oder Schutzbrille. Soweit angemessen, tragen Sie Staubmaske, Gehörschutz, Schutzhandschuhe oder Spezialschürze, die kleine Schlei- und Materialpartikel von Ihnen fernhält. Die Augen sollen vor herumfliegenden Fremdkörpern geschützt werden, die bei verschiedenen Anwendungen entstehen. Staub- oder Atemschutzmaske müssen den bei der Anwendung entstehenden Staub filtern. Wenn Sie lange lautem Lärm ausgesetzt sind, können Sie einen Hörverlust erleiden.
- i) **Achten Sie bei anderen Personen auf sicheren Abstand zu Ihrem Arbeitsbereich. Jeder, der den Arbeitsbereich betritt, muss persönliche Schutzausrüstung tragen.** Bruchstücke des Werkstücks oder gebrochenes Zubehör können wegfiegen und Verletzungen auch außerhalb des direkten Arbeitsbereichs verursachen.
 - j) **Fassen Sie das Elektrowerkzeug nur an den isolierten Griffflächen, wenn Sie Arbeiten ausführen, bei denen das Einsatzwerkzeug verborgene Stromleitungen oder das eigene Netzkabel treffen kann.** Der Kontakt mit einer spannungsführenden Leitung kann auch Metallteile des Elektrowerkzeugs unter Spannung setzen und zu einem elektrischen Schlag führen.
 - k) **Halten Sie das Netzkabel von sich drehenden Zubehör fern.** Wenn Sie die Kontrolle über das Werkzeug verlieren, kann das Netzkabel durchtrennt oder erfasst werden und Ihre Hand oder Ihr Arm das sich drehende Zubehör geraten.
 - l) **Legen Sie das Elektrowerkzeug niemals ab, bevor das Zubehör völlig zum Stillstand gekommen ist.** Das sich drehende Zubehör kann in Kontakt mit der Ablagefläche geraten, wodurch Sie die Kontrolle über das Elektrowerkzeug verlieren können.
 - m) **Lassen Sie das Elektrowerkzeug nicht laufen, während Sie es tragen.** Ihre Kleidung kann durch zufälligen Kontakt mit dem sich drehenden Zubehör erfasst werden, und das Zubehör sich in Ihren Körper bohren.
 - n) **Reinigen Sie regelmäßig die Lüftungsschlitze Ihres Elektrowerkzeugs.** Das Motorgebläse zieht Staub in das Gehäuse, und eine starke Ansammlung von Metallstaub kann elektrische Gefahren verursachen.
 - o) **Verwenden Sie das Elektrowerkzeug nicht in der Nähe brennbarer Materialien.** Funken können diese Materialien entzünden.
 - p) **Verwenden Sie kein Zubehör, das flüssige Kühlmittel erfordern.** Die Verwendung von Wasser oder anderen flüssigen Kühlmitteln kann zu einem elektrischen Schlag führen.
- ## 2) RÜCKSCHLAG UND ENTSPRECHENDE WARNHINWEISE
- Rückschlag ist die plötzliche Reaktion infolge eines hakenden oder blockierten drehenden Zubehörs, wie Schleifscheibe, Schleifteller, Drahtbürste usw. Verhaken oder Blockieren führt zu einem abrupten Stopp des rotierenden Zubehörs. Dadurch wird ein unkontrolliertes Elektrowerkzeug gegen die Drehrichtung des Zubehörs an der Blockierstelle beschleunigt.
 - Wenn z. B. eine Schleifscheibe im Werkstück hakt oder blockiert, kann sich die Kante der Schleifscheibe, die in das Werkstück eintaucht, verfangen und dadurch die Schleifscheibe ausbrechen oder einen Rückschlag verursachen. Die Schleifscheibe bewegt sich dann auf die Bedienperson zu oder von ihr weg, je nach Drehrichtung der Scheibe an der Blockierstelle. Hierbei können Schleifscheiben auch brechen.
 - Ein Rückschlag ist die Folge eines falschen oder fehlerhaften Gebrauchs des Elektrowerkzeugs. Er kann durch geeignete Vorsichtsmaßnahmen, wie nachfolgend beschrieben, verhindert werden.

- a) **Halten Sie das Elektrowerkzeug gut fest und bringen Sie Ihren Körper und Ihre Arme in eine Position, in der Sie die Rückschlagkräfte abfangen können. Verwenden Sie immer den Zusatzgriff, falls vorhanden, um die größtmögliche Kontrolle über Rückschlagkräfte oder Reaktionsmomente beim Hochlauf zu haben.** Die Bedienperson kann durch geeignete Vorsichtsmaßnahmen die Rückschlag- und Reaktionskräfte beherrschen.
- b) **Bringen Sie Ihre Hand nie in die Nähe sich drehendes Zubehör.** Das Zubehör kann sich beim Rückschlag über Ihre Hand bewegen.
- c) **Meiden Sie mit Ihrem Körper den Bereich, in den das Elektrowerkzeug bei einem Rückschlag bewegt wird.** Der Rückschlag treibt das Elektrowerkzeug in die Richtung entgegengesetzt zur Bewegung der Schleifscheibe an der Blockierstelle.
- d) **Arbeiten Sie besonders vorsichtig im Bereich von Ecken, scharfen Kanten usw. Verhindern Sie, dass Zubehör vom Werkstück zurückprallt und verklemmt.** Das rotierende Zubehör neigt bei Ecken, scharfen Kanten oder wenn es abprallt, dazu, sich zu verklemmen. Dies verursacht einen Kontrollverlust oder Rückschlag.
- e) **Verwenden Sie kein Ketten- oder gezähntes Sägeblatt.** Solches Zubehör verursacht häufig einen Rückschlag oder den Verlust der Kontrolle über das Elektrowerkzeug.
- 3) SPEZIELLE WARNHINWEISE ZUM SCHLEIFEN UND TRENNSCHLEIFEN**
- a) **Verwenden Sie ausschließlich die für Ihr Elektrowerkzeug zugelassenen Schleifkörper und die für diese Schleifkörper vorgesehene Schutzhaube.** Schleifkörper, die nicht für das Elektrowerkzeug vorgesehen sind, können nicht ausreichend abgeschirmt werden und sind unsicher.
- b) **Gekrüpfte Schleifscheiben müssen so montiert werden, dass ihre Schleiffläche nicht über der Ebene des Schutzhaubenrandes hervorsteht.** Eine unsachgemäß montierte Schleifscheibe, die über die Ebene des Schutzhaubenrandes hinausragt, kann nicht ausreichend abgeschirmt werden.
- c) **Die Schutzhaube muss sicher am Elektrowerkzeug angebracht und so eingestellt sein, dass ein Höchstmaß an Sicherheit erreicht wird, d. h. der kleinstmögliche Teil des Schleifkörpers zeigt offen zur Bedienperson.** Die Schutzhaube soll die Bedienperson vor Bruchstücken, zufälligem Kontakt mit dem Schleifkörper und Funken, die die Kleidung in Brand setzen könnten, schützen.
- d) **Schleifkörper dürfen nur für die empfohlenen Einsatzmöglichkeiten verwendet werden.** Z. B.: Schleifen Sie nie mit der Seitenfläche einer Trennscheibe. Trennscheiben sind zum Materialabtrag mit der Kante der Scheibe bestimmt. Seitliche Kräfteinwirkung auf diese Schleifkörper kann sie zerbrechen.
- e) **Verwenden Sie immer unbeschädigte Spannflansche in der richtigen Größe und Form für die von Ihnen gewählte Schleifscheibe.** Geeignete Flansche stützen die Schleifscheibe und verringern so die Gefahr eines Schleifscheibenbruchs. Flansche für Trennscheiben können sich von den Flanschen für andere Schleifscheiben unterscheiden.
- f) **Verwenden Sie keine abgenutzten Schleifscheiben von größeren Elektrowerkzeugen.** Schleifscheiben für größere Elektrowerkzeuge sind nicht für die höheren Drehzahlen von kleineren Elektrowerkzeugen ausgelegt und können brechen.
- 4) WEITERE BESONDERE WARNHINWEISE ZUM TRENNSCHLEIFEN**
- a) **Vermeiden Sie ein Blockieren der Trennscheibe oder zu hohen Anpressdruck. Führen Sie keine übermäßig tiefen Schnitte aus.** Eine Überlastung der Trennscheibe erhöht deren Beanspruchung und die Anfälligkeit zum Verkanten oder Blockieren und damit die Möglichkeit eines Rückschlags oder Schleifkörperbruchs.
- b) **Meiden Sie den Bereich vor und hinter der rotierenden Trennscheibe.** Wenn Sie die Trennscheibe im Werkstück von sich wegbewegen, kann im Falle eines Rückschlags das Elektrowerkzeug mit der sich drehenden Scheibe direkt auf Sie zugeschleudert werden.
- c) **Falls die Trennscheibe verklemmt oder Sie die Arbeit unterbrechen, schalten Sie das Elektrowerkzeug aus und halten Sie es ruhig, bis die Scheibe zum Stillstand gekommen ist. Versuchen Sie nie, die noch laufende Trennscheibe aus dem Schnitt zu ziehen, sonst kann ein Rückschlag erfolgen.** Ermitteln und beheben Sie die Ursache für das Verklemmen.
- d) **Schalten Sie das Elektrowerkzeug nicht wieder ein, solange es sich im Werkstück befindet. Lassen Sie die Trennscheibe erst ihre volle Drehzahl erreichen, bevor Sie den Schnitt vorsichtig fortsetzen.** Anderenfalls kann die Scheibe verhaken, aus dem Werkstück springen oder einen Rückschlag verursachen.
- e) **Stützen Sie Platten oder große Werkstücke ab, um das Risiko eines Rückschlags durch eine eingeklemmte Trennscheibe zu vermindern.** Große Werkstücke können sich unter ihrem eigenen Gewicht durchbiegen. Das Werkstück muss auf beiden Seiten abgestützt werden, und zwar sowohl in der Nähe des Trennschnitts als auch an der Kante.
- f) **Seien Sie besonders vorsichtig bei "Taschenschnitten" in bestehende Wände oder andere nicht einsehbare Bereiche.** Die eintauchende Trennscheibe kann beim Schneiden in Gas- oder Wasserleitungen, elektrische Leitungen oder andere Objekte einen Rückschlag verursachen.
- 5) BESONDERE WARNHINWEISE ZUM SANDPAPIERSCHLEIFEN**
- a) **Benutzen Sie keine überdimensionierten Schleifblätter, sondern befolgen Sie die Herstellerangaben zur Schleifblattgröße.** Schleifblätter, die über den Schleifteller hinausragen, können Verletzungen verursachen sowie zum Blockieren, Zerreißen der Schleifblätter oder zum Rückschlag führen.
- 6) BESONDERE WARNHINWEISE ZUM ARBEITEN MIT DRAHTBÜRSTEN**
- a) **Beachten Sie, dass die Drahtbürste auch während des üblichen Gebrauchs Drahtstücke verliert. Überlasten Sie die Drähte nicht durch zu hohen Anpressdruck.** Wegfliegende Drahtstücke können sehr leicht durch dünne Kleidung und/oder die Haut dringen.

- b) **Wird eine Schutzhaube empfohlen, verhindern Sie, dass sich Schutzhaube und Drahtbürste berühren können.** Teller- und Topfbürsten können durch Anpressdruck und Zentrifugalkräfte ihren Durchmesser vergrößern.

ALLGEMEINES

- Dieses Werkzeug ist für Naßschuppen/-trennen nicht geeignet
- Nur die mit diesem Werkzeug mitgelieferten Flansche verwenden
- Der Benutzer dieses Werkzeuges sollte älter als 16 Jahre sein
- **Ziehen Sie grundsätzlich den Netzstecker, bevor Sie beliebige Änderungen an den Einstellungen oder einen Zubehörwechsel vornehmen**

ZUBEHÖR

- SKIL kann nur dann die einwandfreie Funktion des Werkzeuges zusichern, wenn Original-Zubehör verwendet wird
- **Nur Schleif-/Trennscheiben mit einer max. Dicke von 8 mm und einem Spindelbohrungsdurchmesser von 22 mm verwenden**
- Bei Verwendung von Fremdfabrikaten beim Zubehör bitte die Hinweise des Herstellers beachten
- Verwenden Sie niemals Reduktionsstücke oder Adapter, um Schleif-/Trennscheiben mit einem größeren Loch passend zu machen
- Verwenden Sie niemals Zubehör mit geschlossenem Gewinde unter einer Größe von M14 x 21 mm

ANWENDUNG IM FREIEN

- Das Werkzeug über einen Fehlerstrom- (FI) Schutzschalter mit einem Auslösestrom von 30 mA Max. anschließen

VOR DER ANWENDUNG

- Vor der erstmaligen Anwendung des Werkzeuges wird die Einholung praktischer Informationen empfohlen
- Stets nachprüfen, daß die Netzspannung mit der auf dem Typenschild des Werkzeuges angegebenen Spannung übereinstimmt (mit 230V oder 240V beschriftete Werkzeuge können auch an 220V betrieben werden)
- Stets Seitengriff E ② und Schutzhaube F ② anbringen; das Werkzeug nie ohne sie benutzen
- **Verwenden Sie geeignete Suchgeräte, um verborgene Versorgungsleitungen aufzuspüren, oder ziehen Sie die örtliche Versorgungsgesellschaft hinzu** (Kontakt mit Elektroleitungen kann zu Feuer und elektrischem Schlag führen; Beschädigung einer Gasleitung kann zur Explosion führen; Eindringen in eine Wasserleitung verursacht Sachbeschädigung oder kann einen elektrischen Schlag verursachen)
- **Bearbeiten Sie kein asbesthaltiges Material** (Asbest gilt als krebserregend)
- Staub von Materialien wie Farbe, die Blei enthält, einigen Holzarten, Mineralien und Metall kann schädlich sein (Kontakt mit oder Einatmen des Staubs kann zu allergischen Reaktionen und/oder Atemwegskrankheiten beim Bediener oder Umstehenden führen); **tragen Sie eine Staubmaske und arbeiten Sie mit einem Staubabsaugungssystem, wenn ein solches angeschlossen werden kann**

- Bestimmte Arten von Staub sind als karzinogen klassifiziert (beispielsweise Eichen- und Buchenholzstaub), insbesondere in Verbindung mit Zusätzen für die Holzverarbeitung; **tragen Sie eine Staubmaske und arbeiten Sie mit einem Staubabsaugungssystem, wenn ein solches angeschlossen werden kann**
- Beachten Sie die für Ihr verwendetes Verbrauchsmaterial gültigen nationalen Staubschutzvorgaben
- Beim Nutenfräsen muß vorsichtig vorgegangen werden, insbesondere in tragenden Wänden (Langlöcher in tragenden Wänden sind Gegenstand landesspezifischer Vorschriften; diese Vorschriften sind unter allen Umständen einzuhalten)
- **Sichern Sie das Werkstück** (ein mit Spannvorrichtungen oder Schraubstock festgehaltenes Werkstück ist sicherer gehalten als mit der Hand)
- Das Werkzeug darf nicht in einen Schraubstock gespannt werden
- Bei Benutzung von Verlängerungskabeln ist darauf zu achten, daß das Kabel vollständig abgerollt ist und eine Kapazität von 16 A hat

WÄHREND DER ANWENDUNG

- Wird bei der Arbeit das Kabel beschädigt oder durchtrennt, Kabel nicht berühren, sondern sofort den Netzstecker ziehen
- Werkzeug nicht weiter verwenden, wenn das Kabel beschädigt ist; lassen Sie dieses von einem anerkannten Elektrofachmann ersetzen
- Bei elektrischer oder mechanischer Fehlfunktion das Werkzeug sofort ausschalten und den Netzstecker ziehen
- Bei Unterbrechung der Stromversorgung oder versehentlichem Ziehen des Netzsteckers ist der Ein-/Aus-Schalter H ② sofort zu entriegeln, um unkontrolliertes Wiederanlaufen zu verhindern

NACH DER ANWENDUNG

- Zubehör darf nach dem Ausschalten des Antriebes nicht durch seitliches Gegendrücken gebremst werden

BEDIENUNG

- Montieren des Zubehörs ②
 - ! **Netzstecker ziehen**
 - Spindel A und alle zu montierenden Teile reinigen
 - Spannmutter B mit Zweilochschlüssel C anziehen, während Sie Spindelarreterierungsknopf D drücken
 - ! **Spindelarreterierungsknopf D nur dann drücken, wenn Spindel A stillsteht**
 - zum Entfernen des Zubehörs in umgekehrter Reihenfolge vorgehen
 - ! **Schleif-/Trennscheiben laufen bei Gebrauch sehr heiß; sie nicht berühren, bevor sie abgekühlt sind**
 - ! **montieren Sie immer den Schleifteller, wenn Sie Schleif-Zubehör benutzen**
 - ! **eine Schleif-/Trennscheibe niemals ohne das Schild, das angeklebt ist, benutzen (falls vorhanden)**
- Montieren des Seitengriffs E ⑥
 - ! **Netzstecker ziehen**
 - Zusatzgriff E kann rechts, oben oder links am Werkzeug angeschraubt werden (je nach auszuführender Arbeit)

- Entfernen/Montieren/Einstellen der Schutzhaube F ⑦
! **Netzstecker ziehen**
! **sicherstellen, daß die geschlossene Seite der Schutzhaube stets zum Bediener zeigt**
- Vor dem Gebrauch Ihres Werkzeuges
 - sicherstellen, daß das Zubehör richtig montiert und fest angezogen ist
 - den freien Lauf des montierten Zubehörs durch Drehen von Hand überprüfen
 - einen Probelauf vornehmen, bei dem Sie das Werkzeug in einer sicheren Position mindestens 30 Sekunden mit höchster Geschwindigkeit unbelastet laufen lassen
 - bei beträchtlichen Vibrationen oder anderen Defekten das Werkzeug sofort ausschalten und die mögliche Ursache herausfinden
- Ein-/Aus Arretierungsschalter H ⑧
 - das Werkzeug einschalten ⑧a
 - ! **beachten Sie den plötzlichen Ruck beim Einschalten des Werkzeuges**
 - ! **bevor das Zubehör in das Werkstück eingeführt wird, muß erst Höchstgeschwindigkeit erreicht werden**
 - Schalter arretieren ⑧b
 - Arretierung lösen/Werkzeug ausschalten ⑧c
 - ! **vor dem Ausschalten des Werkzeuges sollte dieses vom Werkstück abgenommen werden**
 - ! **nach dem Ausschalten des Werkzeuges dreht sich das Zubehör noch einige Sekunden weiter**
- Trennen ⑨
 - das Werkzeug mit mäßigem Druck vor und zurück bewegen
 - ! **eine Trennscheibe darf nicht zum Seiten-Schleifen verwendet werden**
- Trennen ⑩
 - das Werkzeug nicht anwinkeln bei Trennarbeiten
 - das Werkzeug stets in dieselbe Richtung wie den Pfeil am Werkzeugkopf führen, um zu verhindern, daß das Werkzeug auf unkontrollierte Weise aus dem Eingriffsbereich herausgedrückt wird
 - nicht zuviel Druck auf das Werkzeug ausüben; die Geschwindigkeit der Trennscheibe besorgt den Rest
 - die Arbeitsdrehzahl der Trennscheibe hängt vom zu schneidenden Werkstoff ab
 - Trennscheiben nicht durch seitliches Gegendrücken bremsen
- Halten und Führen des Werkzeuges
 - halten Sie das Werkzeug mit beiden Händen fest, um es stets unter Kontrolle zu haben
 - ! **Werkzeug beim Arbeiten immer am grauen Griffbereich fassen ⑪**
 - auf sicheren Stand achten
 - auf die Drehrichtung achten; das Werkzeug stets so halten, daß Funken und Schleif-/Trennstaub vom Körper weg fliegen
 - Lüftungsschlitze J ⑫ unbedeckt halten

ANWENDUNGSHINWEISE

- Anstelle der Spannmutter B ② kann die "CLIC" Schnellspannmutter (SKIL Zubehör 2610388766) verwendet werden; Schleif-/Trennscheiben können dann ohne Zubehör-Schlüssel montiert werden
- Für mehr Tips siehe www.skil.com

WARTUNG / SERVICE

- Dieses Werkzeug eignet sich nicht für den professionellen Einsatz
- Halten Sie Werkzeug und Kabel immer sauber (insbesondere die Lüftungsschlitze J ⑫)
! **versuchen Sie nicht zu reinigen indem Sie spitze Gegenstände durch die Lüftungsschlitze stecken**
! **Netzstecker vor dem Säubern ziehen**
- Sollte das Elektrowerkzeug trotz sorgfältiger Herstellungs- und Prüfverfahren einmal ausfallen, ist die Reparatur von einer autorisierten Kundendienststelle für SKIL-Elektrowerkzeuge ausführen zu lassen
 - das Werkzeug **unzerlegt**, zusammen mit dem Kaufbeleg, an den Lieferer oder die nächste SKIL-Vertragswerkstätte senden (die Anschriften so wie die Ersatzteilzeichnung des Werkzeuges finden Sie unter www.skil.com)

UMWELT

- **Elektrowerkzeuge, Zubehör und Verpackungen nicht in den Hausmüll werfen** (nur für EU-Länder)
 - gemäss Europäischer Richtlinie 2002/96/EG über Elektro- und Elektronik- Altgeräte und Umsetzung in nationales Recht müssen nicht mehr gebrauchsfähige Elektrowerkzeuge getrennt gesammelt und einer umweltgerechten Wiederverwertung zugeführt werden
 - hieran soll Sie Symbol ⑬ erinnern

KONFORMITÄTSERKLÄRUNG CE

- Wir erklären in alleiniger Verantwortung, daß das unter "Technische Daten" beschriebene Produkt mit den folgenden Normen oder normativen Dokumenten übereinstimmt: EN 60745, EN 61000, EN 55014, gemäß den Bestimmungen der Richtlinien 2004/108/EG, 2006/42/EG, 2011/65/EU
- **Technische Unterlagen bei:** SKIL Europe BV (PT-SEU/ENG1), 4825 BD Breda, NL

Marijn van der Hoofden
Operations & Engineering

Olaf Dijkgraaf
Approval Manager

SKIL Europe BV, 4825 BD Breda, NL

05.08.2013

GERÄUSCH/VIBRATION

- Gemessen gemäß EN 60745 beträgt der Schalldruckpegel dieses Gerätes 90 dB(A) und der Schalleistungspegel 101 dB(A) (Standardabweichung: 3 dB), und die Vibration * (Hand-Arm Methode; Unsicherheit K = 1,5 m/s²)
 - * beim Oberflächenschleifen 8,1 m/s²
 - * beim Schleifen 6,2 m/s²
- ! **andere Anwendungen (z.B. Trennen oder Bürsten) können andere Vibrationswerte aufweisen**

- Die Vibrationsemissionsstufte wurde mit einem standardisierten Test gemäß EN 60745 gemessen; Sie kann verwendet werden, um ein Werkzeug mit einem anderen zu vergleichen und als vorläufige Beurteilung der Vibrationsexposition bei Verwendung des Werkzeugs für die angegebenen Anwendungszwecke
 - die Verwendung des Werkzeugs für andere Anwendungen oder mit anderem oder schlecht gewartetem Zubehör kann die Expositionsstufe erheblich **erhöhen**
 - Zeiten, zu denen das Werkzeug ausgeschaltet ist, oder wenn es läuft aber eigentlich nicht eingesetzt wird, können die Expositionsstufe erheblich **verringern**
- ! **schützen Sie sich vor den Auswirkungen der Vibration durch Wartung des Werkzeugs und des Zubehörs, halten Sie Ihre Hände warm und organisieren Sie Ihren Arbeitsablauf**

NL

Haakse slijper

9176

INTRODUCTIE

- Deze machine is bestemd voor het (door)slijpen en afbramen van metaal en steen zonder gebruik van water; met de juiste accessoires kan de machine ook gebruikt worden voor borstelen en schuren
- Deze machine is niet bedoeld voor professioneel gebruik
- **Doorslijpwerkzaamheden met doorslijpschijven is alleen toegestaan wanneer een doorslijp-beschermkap (optioneel als SKIL toebehoren 2610399439 verkrijgbaar) gebruikt wordt**
- Lees en bewaar deze gebruiksaanwijzing ③

TECHNISCHE GEGEVENS ①

MACHINE-ELEMENTEN ②

- A As
- B Spanmoer
- C Sleutel
- D Asvergrendelknop
- E Extra handgreep
- F Beschermkap
- G Opname-flens
- H Aan/uit vergrendelschakelaar
- J Ventilatie-openingen

VEILIGHEID

ALGEMENE VEILIGHEIDSVORSCHRIFTEN

⚠ LET OP! Lees alle veiligheidsaarschuwingen en alle voorschriften. Als de waarschuwingen en voorschriften niet worden opgevolgd, kan dit een elektrische schok, brand of ernstig letsel tot gevolg hebben. **Bewaar alle waarschuwingen en voorschriften voor toekomstig gebruik.** Het in de waarschuwingen gebruikte begrip "elektrisch gereedschap" heeft betrekking op elektrische gereedschappen voor gebruik op het stroomnet (met

netsnoer) en op elektrische gereedschappen voor gebruik met een accu (zonder netsnoer).

1) VEILIGHEID VAN DE WERKOMGEVING

- Houd uw werkomgeving schoon en opgeruimd.** Een rommelige of onverlichte werkomgeving kan tot ongevallen leiden.
- Werk met het gereedschap niet in een omgeving met explosiegevaar waarin zich brandbare vloeistoffen, gasen of stof bevinden.** Elektrische gereedschappen veroorzaken vonken die het stof of de dampen tot ontsteking kunnen brengen.
- Houd kinderen en andere personen tijdens het gebruik van het elektrische gereedschap uit de buurt.** Wanneer u wordt afgeleid, kunt u de controle over het gereedschap verliezen.

2) ELEKTRISCHE VEILIGHEID

- De aansluitstekker van het gereedschap moet in het stopcontact passen. De stekker mag in geen geval worden veranderd. Gebruik geen adapterstekkers in combinatie met geaarde gereedschappen.** Onveranderde stekkers en passende stopcontacten beperken het risico van een elektrische schok.
 - Voorkom aanraking van het lichaam met geaarde oppervlakken, bijvoorbeeld van buizen, verwarmingen, fornuizen en koelkasten.** Er bestaat een verhoogd risico door een elektrische schok wanneer uw lichaam geaard is.
 - Houd het gereedschap uit de buurt van regen en vocht.** Het binnendringen van water in het elektrische gereedschap vergroot het risico van een elektrische schok.
 - Gebruik de kabel niet voor een verkeerd doel, om het gereedschap te dragen of op te hangen of om de stekker uit het stopcontact te trekken. Houd de kabel uit de buurt van hitte, olie, scherpe randen en bewegende gereedschapsdelen.** Beschadigde of in de war geraakte kabels vergroten het risico van een elektrische schok.
 - Wanneer u buitenshuis met elektrisch gereedschap werkt, dient u alleen verlengkabels te gebruiken die voor gebruik buitenshuis zijn goedgekeurd.** Het gebruik van een voor gebruik buitenshuis geschikte verlengkabel beperkt het risico van een elektrische schok.
 - Als het gebruik van het elektrische gereedschap in een vochtige omgeving onvermijdelijk is, dient u een aardlekschakelaar te gebruiken.** Het gebruik van een aardlekschakelaar vermindert het risico van een elektrische schok.
- #### 3) VEILIGHEID VAN PERSONEN
- Wees alert, let goed op wat u doet en ga met verstand te werk bij het gebruik van het elektrische gereedschap. Gebruik het gereedschap niet wanneer u moe bent of onder invloed staat van drugs, alcohol of medicijnen.** Een moment van onoplettendheid bij het gebruik van het gereedschap kan tot ernstige verwondingen leiden.
 - Drag persoonlijk beschermende uitrusting en altijd een veiligheidsbril.** Het dragen van persoonlijke beschermende uitrusting zoals een stofmasker, slipvaste werkschoenen, een veiligheidshelm of

- gehoorbescherming, afhankelijk van de aard en het gebruik van het elektrische gereedschap, vermindert het risico van verwondingen.
- c) **Voorkom per ongeluk inschakelen. Controleer dat het elektrische gereedschap uitgeschakeld is voordat u de stekker in het stopcontact steekt of de accu aansluit en voordat u het gereedschap oppakt of draagt.** Wanneer u bij het dragen van het elektrische gereedschap uw vinger aan de schakelaar hebt of wanneer u het gereedschap ingeschakeld op de stroomvoorziening aansluit, kan dit tot ongevallen leiden.
 - d) **Verwijder instelgereedschappen of schroef sleutels voordat u het gereedschap inschakelt.** Een instelgereedschap of sleutel in een draaiend deel van het gereedschap kan tot verwondingen leiden.
 - e) **Probeer niet ver te reiken. Zorg ervoor dat u stevig staat en steeds in evenwicht blijft.** Daardoor kunt u het gereedschap in onverwachte situaties beter onder controle houden.
 - f) **Draag geschikte kleding. Draag geen loshangende kleding of sieraden. Houd haren, kleding en handschoenen uit de buurt van bewegende delen.** Loshangende kleding, sieraden en lange haren kunnen door bewegende delen worden meegenomen.
 - g) **Wanneer stofzuigings- of stofopvangvoorzieningen kunnen worden gemonteerd, dient u zich ervan te verzekeren dat deze zijn aangesloten en juist worden gebruikt.** Het gebruik van een stofzuiging beperkt het gevaar door stof.
- #### 4) GEBRUIK EN ONDERHOUD VAN ELEKTRISCHE GEREEDSCHAPPEN
- a) **Overbelast het gereedschap niet. Gebruik voor uw werkzaamheden het daarvoor bestemde elektrische gereedschap.** Met het passende elektrische gereedschap werkt u beter en veiliger binnen het aangegeven capaciteitsbereik.
 - b) **Gebruik geen elektrisch gereedschap waarvan de schakelaar defect is.** Elektrisch gereedschap dat niet meer kan worden in- of uitgeschakeld, is gevaarlijk en moet worden gerepareerd.
 - c) **Trek de stekker uit het stopcontact of neem de accu uit het elektrische gereedschap voordat u het gereedschap instelt, toebehoren wisselt of het gereedschap weglegt.** Deze voorzorgsmaatregel voorkomt onbedoeld starten van het gereedschap.
 - d) **Bewaar niet-gebruikte elektrische gereedschappen buiten bereik van kinderen. Laat het gereedschap niet gebruiken door personen die er niet mee vertrouwd zijn en deze aanwijzingen niet hebben gelezen.** Elektrische gereedschappen zijn gevaarlijk wanneer deze door onervaren personen worden gebruikt.
 - e) **Verzorg het gereedschap zorgvuldig. Controleer of bewegende delen van het gereedschap correct functioneren en niet vastklemmen en of onderdelen zodanig gebroken of beschadigd zijn dat de werking van het gereedschap nadelig wordt beïnvloed. Laat beschadigde delen repareren voordat u het gereedschap gebruikt.** Veel ongevallen hebben hun oorzaak in slecht onderhouden elektrische gereedschappen.
 - f) **Houd snijdende inzetgereedschappen scherp en schoon.** Zorgvuldig onderhouden snijdende

inzetgereedschappen met scherpe snijkanten klemmen minder snel vast en zijn gemakkelijker te geleiden.

- g) **Gebruik elektrische gereedschappen, toebehoren, inzetgereedschappen en dergelijke volgens deze aanwijzingen. Let daarbij op de arbeidsomstandigheden en de uit te voeren werkzaamheden.** Het gebruik van elektrische gereedschappen voor andere dan de voorziene toepassingen kan tot gevaarlijke situaties leiden.
- #### 5) SERVICE
- a) **Laat het gereedschap alleen repareren door gekwalificeerd en vakkundig personeel en alleen met originele vervangingsonderdelen.** Daarmee wordt gewaarborgd dat de veiligheid van het gereedschap in stand blijft.

VEILIGHEIDSVOORSCHRIFTEN VOOR HAAKSE SLIJPER

1) VEILIGHEIDSVOORSCHRIFTEN VOOR ALLE TOEPASSINGEN

- a) **Dit elektrische gereedschap is bestemd voor gebruik als slijpmachine, schuurmachine, borstelmaschine, en doorslijpmachine. Neem alle waarschuwingen, aanwijzingen, afbeeldingen en gegevens die u bij het elektrische gereedschap ontvangt in acht.** Als u de volgende aanwijzingen niet in acht neemt, kunnen een elektrische schok, brand en/of ernstig letsel het gevolg zijn.
- b) **Dit elektrische gereedschap moet niet worden gebruikt voor polijstwerkzaamheden.** Gebruik van het elektrische gereedschap voor toepassingen waarvoor het niet is ontworpen, kan gevaarlijk zijn en tot letsel leiden.
- c) **Gebruik uitsluitend toebehoren dat door de fabrikant speciaal voor dit elektrische gereedschap is voorzien en geadviseerd.** Het feit dat u het toebehoren aan het elektrische gereedschap kunt bevestigen, waarborgt nog geen veilig gebruik.
- d) **Het toegestane toerental van het inzetgereedschap moet minstens zo hoog zijn als het maximale toerental dat op het elektrische gereedschap is aangegeven.** Toebehoren dat sneller draait dan is toegestaan, kan onherstelbaar worden beschadigd.
- e) **De buitendiameter en de dikte van het inzetgereedschap moeten overeenkomen met de maatgegevens van het elektrische gereedschap.** Inzetgereedschappen met onjuiste afmetingen kunnen niet voldoende afgeschermd of gecontroleerd worden.
- f) **Inzetgereedschappen met schroefdraadinzetstuk moeten nauwkeurig op de schroefdraad van de uitgaande as passen. De gatdiameter van met een flens gemonteerde inzetgereedschappen moet passen bij de opnamediameter van de flens.** Inzetgereedschappen die niet nauwkeurig op het elektrische gereedschap bevestigd worden, draaien ongelijkmatig, trillen sterk en kunnen tot verlies van de controle leiden.
- g) **Gebruik geen beschadigde inzetgereedschappen. Controleer voor het gebruik altijd inzetgereedschappen zoals slijpschijven op afsplinteringen en scheuren, steunschijven op scheuren of sterke slijtage en draadborstels op losse of gebroken draden. Als het elektrische**

gereedschap of het inzetgereedschap valt, dient u te controleren of het beschadigd is, of gebruik een onbeschadigd inzetgereedschap. Als u het inzetgereedschap hebt gecontroleerd en ingezet, laat u het elektrische gereedschap een minuut lang met het maximale toerental lopen. Daarbij dient u en dienen andere personen uit de buurt van het ronddraaiende inzetgereedschap te blijven. Beschadigde inzetgereedschappen breken meestal gedurende deze testtijd.

- h) **Draag persoonlijke beschermende uitrusting ④. Gebruik afhankelijk van de toepassing een volledige gezichtsbescherming, oogbescherming of veiligheidsbril. Draag voor zover van toepassing een stofmasker, een gehoorbescherming, werkhandschoenen of een speciaal schort dat kleine slijp- en metaaldeeltjes tegenhoudt.** Uw ogen moeten worden beschermd tegen wegvliegende deeltjes die bij verschillende toepassingen ontstaan. Een stof- of adembeschermingsmasker moet het bij de toepassing ontstaande stof filteren. Als u lang wordt blootgesteld aan luid lawaai, kan uw gehoor worden beschadigd.
- i) **Let erop dat andere personen zich op een veilige afstand bevinden van de plaats waar u werkt. Iedereen die de werkomgeving betreedt, moet persoonlijke beschermende uitrusting dragen.** Brokstukken van het werkstuk of gebroken inzetgereedschappen kunnen wegvliegen en verwondingen veroorzaken, ook buiten de directe werkomgeving.
- j) **Houd het elektrische gereedschap alleen vast aan de geïsoleerde greepvlakken als u werkzaamheden uitvoert waarbij het inzetgereedschap verborgen stroomleidingen of de eigen stroomkabel kan raken.** Contact met een onder spanning staande leiding kan ook metalen delen van het elektrische gereedschap onder spanning zetten en tot een elektrische schok leiden.
- k) **Houd de stroomkabel uit de buurt van draaiende inzetgereedschappen.** Als u de controle over het elektrische gereedschap verliest, kan de stroomkabel worden doorgesneden of meegenomen en uw hand of arm kan in het ronddraaiende inzetgereedschap terecht komen.
- l) **Leg het elektrische gereedschap nooit neer voordat het inzetgereedschap volledig tot stilstand is gekomen.** Het draaiende inzetgereedschap kan in contact komen met het oppervlak, waardoor u de controle over het elektrische gereedschap kunt verliezen.
- m) **Laat het elektrische gereedschap niet lopen terwijl u het draagt.** Uw kleding kan door toevallig contact met het draaiende inzetgereedschap worden meegenomen en het inzetgereedschap kan zich in uw lichaam boren.
- n) **Reinig regelmatig de ventilatieopeningen van het elektrische gereedschap.** De motorventilator trekt stof in de behuizing en een sterke ophoping van metaalstof kan elektrische gevaren veroorzaken.
- o) **Gebruik het elektrische gereedschap niet in de buurt van brandbare materialen.** Vonken kunnen deze materialen ontsteken.
- p) **Gebruik geen inzetgereedschappen waarvoor vloeibare koelmiddelen vereist zijn.** Het gebruik van

water of andere vloeibare koelmiddelen kan tot een elektrische schok leiden.

2) TERUGSLAG EN BIJBEHORENDE WAARSCHUWINGEN

- Terugslag is de plotselinge reactie als gevolg van een vasthakend of geblokkeerd draaiend inzetgereedschap, zoals een slijpschijf, steunschijf, draadborstel, enz. Vasthaken of blokkeren leidt tot abrupte stilstand van het ronddraaiende inzetgereedschap. Daardoor wordt een ongecontroleerd elektrisch gereedschap tegen de draairichting van het inzetgereedschap versneld op de plaats van de blokkering.
 - Als bijvoorbeeld een slijpschijf in het werkstuk vasthaakt of blokkeert, kan de rand van de slijpschijf die in het werkstuk invalt, zich vastgrijpen. Daardoor kan de slijpschijf uitbreken of een terugslag veroorzaken. De slijpschijf beweegt zich vervolgens naar de bediener toe of van de bediener weg, afhankelijk van de draairichting van de schijf op de plaats van de blokkering. Hierbij kunnen slijpschijven ook breken.
 - Een terugslag is het gevolg van het verkeerd gebruik of onjuiste gebruiksomstandigheden van het elektrische gereedschap. Terugslag kan worden voorkomen door geschikte voorzorgsmaatregelen, zoals hieronder beschreven.
- a) **Houd het elektrische gereedschap goed vast en breng uw lichaam en uw armen in een positie waarin u de terugslagkrachten kunt opvangen. Gebruik altijd de extra handgreep, indien aanwezig, om de grootst mogelijke controle te hebben over terugslagkrachten of reactiemomenten bij het op toeren komen.** De bediener kan door geschikte voorzorgsmaatregelen de terugslag- en reactiekrachten beheersen.
- b) **Breng uw hand nooit in de buurt van draaiende inzetgereedschappen.** Het inzetgereedschap kan bij de terugslag over uw hand bewegen.
- c) **Mijd met uw lichaam het gebied waarheen het elektrische gereedschap bij een terugslag wordt bewogen.** De terugslag drijft het elektrische gereedschap in de richting die tegengesteld is aan de beweging van de slijpschijf op de plaats van de blokkering.
- d) **Werk bijzonder voorzichtig in de buurt van hoeken, scherpe randen, enz. Voorkom dat inzetgereedschappen van het werkstuk terugspringen en vastklemmen.** Het ronddraaiende inzetgereedschap neigt er bij hoeken, scherpe randen of wanneer het terugspringt toe om zich vast te klemmen. Dit veroorzaakt een controleverlies of terugslag.
- e) **Gebruik geen kettingblad of getand zaagblad.** Zulke inzetgereedschappen veroorzaken vaak een terugslag of het verlies van de controle over het elektrische gereedschap.
- ## 3) VEILIGHEIDSWAARSCHUWINGEN SPECIFIEK VOOR SLIJP- EN DOORSLIJPWERKZAAMHEDEN
- a) **Gebruik uitsluitend het voor het elektrische gereedschap toegestane slijptoebehoren en de voor dit slijptoebehoren voorziene beschermkap.** Slijptoebehoren dat niet voor het elektrische gereedschap is voorzien, kan niet voldoende worden afgeschermd en is niet veilig.

- b) **Gebogen slijpschijven moeten zodanig gemonteerd worden dat hun slijpoppervlak niet boven de rand van de beschermkap uit steekt.** Een onjuist gemonteerde slijpschijf die over de rand van de slijpschijf uitsteekt, kan onvoldoende afgeschermd worden.
- c) **De beschermkap moet stevig op het elektrische gereedschap zijn aangebracht en zodanig zijn ingesteld dat een maximum aan veiligheid wordt bereikt. Dat wil zeggen dat het kleinst mogelijke deel van het slijptoebehoren open naar de bediener wijst.** De beschermkap moet de bediener beschermen tegen afgebroken slijpschijfstukjes, toevallig contact met het slijptoebehoren en vonken, die de kleding in brand zouden kunnen zetten.
- d) **Slijptoebehoren mag alleen worden gebruikt voor de geadviseerde toepassingsmogelijkheden.** Bijvoorbeeld: slijp nooit met het zijvlak van een doorslijpschijf. Doorslijpschijven zijn bestemd voor materiaalafname met de rand van de schijf. Een zijwaartse krachtinwerking op dit slijptoebehoren kan het toebehoren breken.
- e) **Gebruik altijd onbeschadigde spanflenzen in de juiste maat en vorm voor de door u gekozen slijpschijf.** Geschikte flenzen steunen de slijpschijf en verminderen zo het gevaar van een slijpschijfbreuk. Flenzen voor doorslijpschijven kunnen verschillen van de flenzen voor andere slijpschijven.
- f) **Gebruik geen versleten slijpschijven van grotere elektrische gereedschappen.** Slijpschijven voor grotere elektrische gereedschappen zijn niet geconstrueerd voor de hogere toerentallen van kleinere elektrische gereedschappen en kunnen breken.
- 4) OVERIGE BIJZONDERE WAARSCHUWINGEN VOOR DOORSLIJPWERKZAAMHEDEN**
- a) **Voorkom blokkeren van de doorslijpschijf en te hoge aandrukkraft. Slijp niet overmatig diep.** Een overbelasting van de doorslijpschijf vergroot de slijtage en de gevoeligheid voor kantelen of blokkeren en daardoor de mogelijkheid van een terugslag of breuk van het slijptoebehoren.
- b) **Mijd de omgeving voor en achter de ronddraaiende doorslijpschijf.** Als u de doorslijpschijf in het werkstuk van u weg beweegt, kan in het geval van een terugslag het elektrische gereedschap met de draaiende schijf rechtstreeks naar u toe worden geslingerd.
- c) **Als de doorslijpschijf vastklemt of als u de werkzaamheden onderbreekt, schakelt u het elektrische gereedschap uit en houdt u het rustig tot de schijf tot stilstand is gekomen. Probeer nooit om de nog draaiende doorslijpschijf uit de groef te trekken. Anders kan een terugslag het gevolg zijn.** Stel de oorzaak van het vastklemmen vast en maak deze ongedaan.
- d) **Schakel het elektrische gereedschap niet opnieuw in zolang het zich in het werkstuk bevindt. Laat de doorslijpschijf eerst het volledige toerental bereiken voordat u het doorslijpen voorzichtig voortzet.** Anders kan de schijf vasthaken, uit het werkstuk springen of een terugslag veroorzaken.
- e) **Ondersteun platen of grote werkstukken om het risico van een terugslag door een ingeklemde doorslijpschijf te verminderen.** Grote werkstukken

kunnen onder hun eigen gewicht doorbuigen. Het werkstuk moet aan beide zijden worden ondersteund, vlakbij de slijpgroef en aan de rand.

- f) **Wees bijzonder voorzichtig bij invallend frezen in bestaende muren of andere plaatsen zonder voldoende zicht.** De invallende doorslijpschijf kan bij het doorslijpen van gas- of waterleidingen, elektrische leidingen of andere objecten een terugslag veroorzaken.

5) BIJZONDERE WAARSCHUWINGEN VOOR SCHUURWERKZAAMHEDEN

- a) **Gebruik geen schuurbladen met te grote afmetingen, maar houd u aan de voorschriften van de fabrikant voor de maten van schuurbladen.** Schuurbladen die over de rand van de steunschijf uitsteken, kunnen verwondingen veroorzaken en kunnen tot blokkeren, scheuren van de schuurbladen of terugslag leiden.
- 6) BIJZONDERE WAARSCHUWINGEN VOOR WERKZAAMHEDEN MET DRAADBORSTELS**
- a) **Houd er rekening mee dat de draadborstel ook tijdens het normale gebruik draadstukken verliest. Overbelast de draden niet door een te hoge aandrukkraft.** Wegvliegende draadstukken kunnen gemakkelijk door dunne kleding en/of de huid dringen.
- b) **Als het gebruik van een beschermkap wordt geadviseerd, dient u te voorkomen dat beschermkap en draadborstel elkaar kunnen raken.** Vlakstaal- en komstaalborstels kunnen door aandrukkraft en centrifugaalkrachten hun diameter vergroten.

ALGEMEEN

- Deze machine is niet geschikt voor (door)slijpen met water
- Gebruik alleen de bij deze machine geleverde flenzen/spanmoeren
- Deze machine mag niet worden gebruikt door personen onder de 16 jaar
- **Trek altijd de stekker uit het stopcontact voordat u een instelling verandert of een accessoire verwisselt**

ACCESSOIRES

- SKIL kan alleen een correcte werking van de machine garanderen, indien originele accessoires worden gebruikt
- **Gebruik uitsluitend afbraam-/ (door)slijpschijven met een maximale dikte van 8 mm en een asdiameter van 22 mm**
- Neem voor het monteren/gebruiken van niet-SKIL accessoires de instructies van de betreffende fabrikant in acht
- Gebruik nooit verklein- of aansluitstukken om afbraam-/ (door)slijpschijven met een groot asgat passend te maken
- Gebruik nooit accessoires met een "blind" gat, waarvan de schroefdraad kleiner is dan M14 x 21 mm

GEbruik BUITENSHUIS

- Sluit uw machine aan via een aardlekschakelaar (FI) met maximaal 30 mA uitschakelstroom

VÓÓR GEBRUIK

- Laat u zich vóór het eerste gebruik van de machine ook praktisch over de bediening uitleg geven
- Controleer altijd of het voltage, dat vermeld staat op het typeplaatje van de machine, overeenkomt met de netspanning (met 230V of 240V aangeduide machines kunnen ook op 220V aangesloten worden)

- Monteer altijd zijhandgreep E ② en beschermkap F ②; gebruik de machine nooit zonder deze bestanddelen
- **Gebruik een geschikt detectieapparaat om verborgen stroom-, gas- of waterleidingen op te sporen of raadpleeg het plaatselijke energie- of waterleidingbedrijf** (contact met elektrische leidingen kan tot brand of een elektrische schok leiden; beschadiging van een gasleiding kan tot een explosie leiden; breuk van een waterleiding veroorzaakt materiële schade en kan tot een elektrische schok leiden)
- **Bewerk geen asbesthoudend materiaal** (asbest geldt als kankerverwekkend)
- Stof van materiaal zoals loodhoudende verf, sommige houtsoorten, mineralen en metaal kunnen schadelijk zijn (contact met of inademing van de stof kan allergische reacties en/of ademhalingsziekten bij gebruiker of omstanders veroorzaken); **draag een stofmasker en werk met een stofopvang-voorziening als die kan worden aangesloten**
- Bepaalde soorten stof zijn geclassificeerd als kankerverwekkend (zoals stof van eiken en beuken), met name in combinatie met toevoegingsmiddelen voor houtverzorging; **draag een stofmasker en werk met een stofopvang-voorziening als die kan worden aangesloten**
- Neem voor de door u te bewerken materialen de nationale voorschriften aangaande stofopvang in acht
- Wees voorzichtig met het frezen van sleuven, met name in dragende muren (voor sleuven in dragende muren gelden in Nederland specifieke voorschriften; deze voorschriften moeten beslist in acht genomen worden)
- **Zet het werkstuk vast** (een werkstuk, dat is vastgezet met klemmen of in een bankschroef, zit steviger vast dan wanneer het met de hand wordt vastgehouden)
- Klem de machine niet vast in een bankschroef
- Gebruik volledig uitgerolde en veilige verlengsnoeren met een capaciteit van 16 Ampère

TIJDENS GEBRUIK

- Raak het snoer niet aan, als dit tijdens de werkzaamheden wordt beschadigd of doorgesneden, maar trek onmiddellijk de stekker uit het stopcontact
- Gebruik de machine niet, wanneer het snoer beschadigd is; laat dit door een erkende vakman vervangen
- In geval van elektrische of mechanische storing, de machine onmiddellijk uitschakelen en de stekker uit het stopcontact trekken
- Als de stroom is uitgevallen of de stekker per ongeluk uit het stopcontact wordt getrokken, de aan/uit-schakelaar H ② onmiddellijk ontgrendelen, om ongecontroleerd herstarten te voorkomen

NA GEBRUIK

- Na uitschakeling van uw machine, nooit een draaiend accessoire stoppen door er aan de zijkant iets tegenaan te drukken

GEBRUIK

- Monteren van accessoires ②
- ! **trek de stekker uit het stopcontact**
- maak as A en alle te monteren delen schoon
- draai spanmoer B vast met sleutel C, terwijl u asvergrendelknop D indrukt

- ! **druk asvergrendelknop D alleen in, als as A volledig stilstaat**
- voor verwijderen van accessoires vice-versa handelen
- ! **afbraam-/(door)slijpschijven worden zeer heet tijdens gebruik; niet aanraken voordat ze zijn afgekoeld**
- ! **monteer altijd de steunschijf bij gebruik van schuur-accessoires**
- ! **gebruik een afbraam-/(door)slijpschijf nooit zonder het etiket, dat erop gelijk is (indien aanwezig)**
- Monteren van zijhandgreep E ⑥
- ! **trek de stekker uit het stopcontact**
- schroef extra handgreep E aan de rechter-, boven- of linker kant van het apparaat (afhankelijk van het werk dat moet worden uitgevoerd)
- Verwijderen/monteren/verstellen van beschermkap F ⑦
- ! **trek de stekker uit het stopcontact**
- ! **zorg ervoor, dat de gesloten zijde van de beschermkap altijd naar de gebruiker wijst**
- Vóór gebruik van de machine
 - zorg ervoor, dat het accessoire correct gemonteerd en stevig vastgemaakt wordt
 - controleer, of het accessoire vrij loopt door het met de hand rond te draaien
 - proefdraai de machine onbelast gedurende minstens 30 seconden op de hoogste snelheid in een veilige positie
 - stop onmiddellijk indien de machine hevig trilt, of bij andere defecten, en controleer de machine teneinde de oorzaak te vinden
- Aan/Uit vergrendelingsschakelaar H ⑧
 - zet de machine aan ⑧a
 - ! **houd bij het aanzetten rekening met een plotselinge terugslag van de machine**
 - ! **voordat het accessoire in aanraking komt met het werkstuk, moet uw machine op volle toeren draaien**
 - vergrendel schakelaar ⑧b
 - ontgrendel schakelaar/schakel machine uit ⑧c
 - ! **voordat u de machine uitschakelt, dient u deze van het werkstuk op te lichten**
 - ! **het accessoire draait nog even door nadat de machine is uitgeschakeld**
- Slijpen/afbramen ⑨
 - beweeg de machine heen en weer met matige druk
 - ! **gebruik nooit een doorslijpschijf voor afbraamwerkzaamheden**
- Doorslijpen ⑩
 - houd de machine niet schuin tijdens het doorslijpen
 - beweeg de machine altijd in dezelfde richting als de pijl op de voorkant van de machine om te voorkomen, dat de machine ongecontroleerd uit de snede wordt geduwd
 - forceer de machine niet; laat de snelheid van de doorslijpschijf het werk doen
 - de werksnelheid van de doorslijpschijf is afhankelijk van het door te slijpen materiaal
 - rem doorslijpschijven niet af door er aan de zijkant tegenaan te drukken

- Vasthouden en leiden van de machine
 - houd de machine altijd stevig met twee handen vast, zodat u deze altijd volledig onder controle hebt
 - ! **houd de machine tijdens het werk altijd vast bij het(de) grijs-gekleurde greepvlak(ken)** ①①
 - zorg dat u stevig staat
 - let op de draairichting; houd de machine altijd zó vast, dat vonken of slijpstof van het lichaam wegvliegen
 - houd ventilatie-openingen J ② onbedekt

TOEPASSINGSADVIES

- In plaats van spanmoer B ② kan de "CLIC" snelspanmoer (SKIL accessoire 2610388766) worden gebruikt; afbraam-/ (door)slijpschijven kunnen dan zonder montage-sleutels worden gemonteerd
- Voor meer tips zie www.skil.com

ONDERHOUD / SERVICE

- Deze machine is niet bedoeld voor professioneel gebruik
- Houd machine en snoer altijd schoon (met name de ventilatie-openingen J ②)
 - ! **geen puntige voorwerpen door de ventilatie-openingen steken**
 - ! **trek de stekker uit het stopcontact vóór het reinigen**
- Mocht het elektrische gereedschap ondanks zorgvuldige fabricage- en testmethoden toch defect raken, dient de reparatie te worden uitgevoerd door een erkende klantenservice voor SKIL elektrische gereedschappen
 - stuur de machine **ongedemonteerd**, samen met het aankoopbewijs, naar het verkoopadres of het dichtstbijzijnde SKIL service-station (de adressen evenals de onderdelentekening van de machine vindt u op www.skil.com)

MILIEU

- **Geef elektrisch gereedschap, accessoires en verpakkingen niet met het huisvuil mee** (alleen voor EU-landen)
 - volgens de Europese richtlijn 2002/96/EG inzake oude elektrische en elektronische apparaten en de toepassing daarvan binnen de nationale wetgeving, dient afgedankt elektrisch gereedschap gescheiden te worden ingezameld en te worden afgevoerd naar een recycle-bedrijf, dat voldoet aan de geldende milieu-eisen
 - symbool ⑫ zal u in het afdankstadium hieraan herinneren

CONFORMITEITSVERKLARING CE

- Wij verklaren als alleen verantwoordelijke, dat het onder "Technische gegevens" beschreven product voldoet aan de volgende normen of normatieve documenten: EN 60745, EN 61000, EN 55014, overeenkomstig de bepalingen van de richtlijnen 2004/108/EG, 2006/42/EG, 2011/65/EU

- **Technisch dossier bij:** SKIL Europe BV (PT-SEU/ENG1), 4825 BD Breda, NL

Marijn van der Hoofden
Operations & Engineering

Olaf Dijkgraaf
Approval Manager

SKIL Europe BV, 4825 BD Breda, NL

05.08.2013

GELUID/VIBRATIE

- Gemeten volgens EN 60745 bedraagt het geluidsdruk-niveau van deze machine 90 dB(A) en het geluidsvermogen-niveau 101 dB(A) (standaard deviatie: 3 dB), en de vibratie * (hand-arm methode; onzekerheid $K = 1,5 \text{ m/s}^2$)
 - * bij het slijpen $8,1 \text{ m/s}^2$
 - * bij het schuren $6,2 \text{ m/s}^2$
- ! **andere toepassingen (zoals doorslijpen of werken met draadborstels) kunnen andere vibratie-waarden opleveren**
- Het trillingsemissieniveau is gemeten in overeenstemming met een gestandaardiseerde test volgens EN 60745; deze mag worden gebruikt om twee machines met elkaar te vergelijken en als voorlopige beoordeling van de blootstelling aan trilling bij gebruik van de machine voor de vermelde toepassingen
 - gebruik van de machine voor andere toepassingen, of met andere of slecht onderhouden accessoires, kan het blootstellingsniveau aanzienlijk **verhogen**
 - wanneer de machine is uitgeschakeld of wanneer deze loopt maar geen werk verricht, kan dit het blootstellingsniveau aanzienlijk **reduceren**
- ! **bescherm uzelf tegen de gevolgen van trilling door de machine en de accessoires te onderhouden, uw handen warm te houden en uw werkwijze te organiseren**

S

Vinkelslipmaskin

9176

INTRODUKTION

- Denna maskin är avsedd för slipning, kapning och avgrädnad av metall- och stenmaterial utan användning av vatten; med lämpliga tillbehör kan den också användas för borstning och sandning
- Det här verktyget är inte avsedd för yrkesmässig användning
- **Skärverksamheter med kapskivor av slipmedel får endast utföras med ett kapskydd (tillgängligt som SKIL tillbehör 2610399439) på plats**
- Läs och spara denna instruktionsbok ③

TEKNISKA DATA ①

VERKTYGSELEMENT ②

- A Spindel
- B Fastspänningsfläns
- C Nyckel
- D Spindellåsknapp
- E Hjälpbandtag
- F Skyddskåpa
- G Monteringsfläns
- H På/av låsströmbrytare
- J Ventilationsöppningar

SÄKERHET

ALLMÄNNA SÄKERHETSANVISNINGAR

⚠ OBS! Läs noga igenom alla anvisningar. Fel som uppstår till följd av att anvisningarna nedan inte följts kan orsaka elstöt, brand och/eller allvarliga kroppsskador.

Förvara alla varningar och anvisningar för framtida bruk. Nedan använt begrepp "elverktyg" hänför sig till nätdrivna elverktyg (med nätsladd) och till batteridrivna elverktyg (sladdlösa).

1) ARBETSPLATSSÄKERHET

- a) **Håll arbetsplatsen ren och välbelyst.** Oordning på arbetsplatsen eller dåligt belyst arbetsområde kan leda till olyckor.
- b) **Använd inte elverktyget i explosionsfarlig omgivning med brännbara vätskor, gaser eller damm.** Elverktygen alstrar gnistor som kan antända dammet eller gaserna.
- c) **Håll under arbetet med elverktyget barn och obehöriga personer på betryggande avstånd.** Om du störs av obehöriga personer kan du förlora kontrollen över elverktyget.

2) ELEKTRISK SÄKERHET

- a) **Elverktygets stickpropp måste passa till vägguttaget. Stickproppen får absolut inte förändras. Använd inte adapterkontakter tillsammans med skyddsjordade elverktyg.** Oförändrade stickproppar och passande vägguttag reducerar risken för elektriskt slag.
- b) **Undvik kroppskontakt med jordade ytor som t. ex. rör, värmelement, spisar och kylskåp.** Det finns en större risk för elektriskt slag om din kropp är jordad.
- c) **Skydda elverktyget mot regn och väta.** Tränger vatten in i ett elverktyg ökar risken för elektriskt slag.
- d) **Missbruka inte nätsladden och använd den inte för att bära eller hänga upp elverktyget och inte heller för att dra stickproppen ur vägguttaget. Håll nätsladden på avstånd från värme, olja, skarpa kanter och rörliga maskindelar.** Skadade eller tillrasslade ledningar ökar risken för elektriskt slag.
- e) **När du arbetar med ett elverktyg utomhus använd endast förlängningssladdar som är godkända för utomhusbruk.** Om en lämplig förlängningssladd för utomhusbruk används minskar risken för elektriskt slag.
- f) **Använd en jordfelsbrytare om det inte är möjligt att undvika elverktygets användning i fuktig miljö.** Genom att använda en jordfelsbrytare minskas risken för elstöt.

3) PERSONSÄKERHET

- a) **Var uppmärksam, kontrollera vad du gör och använd elverktyget med förnuft. Använd inte elverktyget när du är trött eller om du är påverkad av droger, alkohol eller mediciner.** Under användning av elverktyg kan även en kort ouppmärksamhet leda till allvarliga kroppsskador.
 - b) **Bär alltid personlig skyddsutrustning och skyddsglasögon.** Användning av personlig skyddsutrustning som t. ex. dammfiltermask, halkfria säkerhetsskor, skyddshjälm och hörselskydd reducerar alltefter elverktygets typ och användning risken för kroppsskada.
 - c) **Undvik oavsiktlig igångsättning. Kontrollera att elverktyget är fränkopplat innan du ansluter stickproppen till vägguttaget och/eller ansluter/tar bort batteriet, tar upp eller bär elverktyget.** Om du bär elverktyget med fingret på strömställaren eller ansluter påkopplat elverktyg till nätströmmen kan olycka uppstå.
 - d) **Ta bort alla inställningsverktyg och skruvnycklar innan du kopplar på elverktyget.** Ett verktyg eller en nyckel i en roterande komponent kan medföra kroppsskada.
 - e) **Överskatta inte din förmåga. Se till att du står stadigt och håller balansen.** I detta fall kan du lättare kontrollera elverktyget i oväntade situationer.
 - f) **Bär lämpliga kläder. Bär inte löst hängande kläder eller smycken. Håll håret, kläderna och handskarna på avstånd från rörliga delar.** Löst hängande kläder, smycken och långt hår kan dras in av roterande delar.
 - g) **Vid elverktyg med dammsugnings- och -uppsamlingsutrustning kontrollera att anordningarna är rätt monterade och används på korrekt sätt.** Användning av dammsugning minskar de risker damm orsakar.
- ### 4) OMSORGSFULL HANTERING OCH ANVÄNDNING AV ELVERKTYG
- a) **Överbelast inte elverktyget. Använd för aktuellt arbete avsett elverktyg.** Med ett lämpligt elverktyg kan du arbeta bättre och säkrare inom angivet effektområde.
 - b) **Ett elverktyg med defekt strömställare får inte längre användas.** Ett elverktyg som inte kan kopplas in eller ur är farligt och måste repareras.
 - c) **Dra stickproppen ur vägguttaget och/eller ta bort batteriet innan inställningar utförs, tillbehörsdelar byts ut eller elverktyget lagras.** Denna skyddsåtgärd förhindrar oavsiktlig inkoppling av elverktyget.
 - d) **Förvara elverktygen oåtkomliga för barn. Låt elverktyget inte användas av personer som inte är förtrogna med dess användning eller inte läst denna anvisning.** Elverktygen är farliga om de används av oerfarna personer.
 - e) **Sköt elverktyget omsorgsfullt. Kontrollera att rörliga komponenter fungerar felfritt och inte kärvar, att komponenter inte brustit eller skadats; orsaker som kan leda till att elverktygets funktioner påverkas menligt. Låt skadade delar repareras innan elverktyget återanvänds.** Många olyckor orsakas av dåligt skötta elverktyg.

- f) **Håll skärverktygen skarpa och rena.** Omsorgsfullt skötta skärverktyg med skarpa egg kommer inte så lätt i kläm och går lättare att styra.
- g) **Använd elverktyget, tillbehör, insatsverktyg osv. enligt dessa anvisningar. Ta hänsyn till arbetsvillkoren och arbetsmomenten.** Används elverktyget på icke ändamålsenligt sätt kan farliga situationer uppstå.
- 5) **SERVICE**
- a) **Låt elverktyget repareras endast av kvalificerad fackpersonal och med originalreservdelar.** Detta garanterar att elverktygets säkerhet upprätthålls.

SÄKERHETSANVISNINGAR FÖR VINKELSLIPMASKINER

1) SÄKERHETSANVISNINGAR FÖR ALLA ARBETEN

- a) **Elverktyget är avsett att fungera som slip-, slippappersslip-, stålborste-, och kapslipmaskin. Beakta alla säkerhetsanvisningar, anvisningar, illustrationer och data som levereras med elverktyget.** Om nedanstående anvisningar ignoreras finns risk för att elstöt, brand och/eller allvariga personskador uppstår.
- b) **Elverktyget rekommenderas inte för polering.** Åtgärder som elverktyget inte har konstruerats för kan skapa fara och orsaka personskador.
- c) **Använd inte tillbehör som tillverkaren inte uttryckligen godkänt och rekommenderat för detta elverktyg.** Även om tillbehör kan fästas på elverktyget finns det ingen garanti för en säker användning.
- d) **Insatsverktygets tillåtna varvtal måste åtminstone motsvara elverktygets angivna högsta varvtal.** Tillbehör med en högre rotationshastighet kan förstöras.
- e) **Insatsverktygets yttre diameter och tjocklek måste motsvara elverktygets dimensioner.** Feldimensionerade insatsverktyg kan inte på betryggande sätt avskärmas och kontrolleras.
- f) **Insatsverktyg med gänginsats måste passa exakt till slippindelnings gänga. Vid insatsverktyg som monteras med fläns måste insatsverktygets håldiameter passa till flänsens infästningsdiameter.** Insatsverktyg som inte exakt passar till elverktyget roterar ojämnt, vibrerar kraftigt och kan leda till att du förlorar kontrollen över verktyget.
- g) **Använd aldrig skadade insatsverktyg. Kontrollera före varje användning insatsverktygen som t.ex. slipskivor avseende splitterskador och sprickor, sliprondeller avseende sprickor, repor eller kraftigt nedslitning, stålborstar avseende lösa eller brustna trådar. Om elverktyget eller insatsverktyget skulle falla ned kontrollera om skada uppstått eller montera ett oskadat insatsverktyg. Du och andra personer i närheten ska efter kontroll och montering av insatsverktyg stå utanför insatsverktygets rotationsradie; låt sedan elverktyget rotera en minut med högsta varvtal. Skadade insatsverktyg går i de flesta fall sönder vid denna provkörning.**
- h) **Använd personlig skyddsutrustning ④. Använd alltefter avsett arbete ansiktsskärm, ögonskydd eller skyddsglasögon. Om så behövs använd dammfiltermask, hörselskydd, skyddshandskar eller skyddsförkläde som skyddar mot utslungade**

- slip- och materialpartiklar.** Ögonen ska skyddas mot utslungade främmande partiklar som kan uppstå under arbetet. Damm- och andningsskydd måste kunna filtrera bort det damm som eventuellt uppstår under arbetet. Risk finns för hörselskada under en längre tids kraftigt buller.
- i) **Se till att obehöriga personer hålls på betryggande avstånd från arbetsområdet. Alla som rör sig inom arbetsområdet måste använda personlig skyddsutrustning.** Brottstycken från arbetsstycket eller insatsverktygen kan slungas ut och orsaka personskada även utanför arbetsområdet.
- j) **Håll fast elverktyget endast vid de isolerade greppytorna när arbeten utförs på ställen där insatstillbehöret kan skada dolda elledningar eller egen nätsladd.** Kontakt med en spänningsförande ledning kan sätta elverktygets metalldelar under spänning och leda till elstöt.
- k) **Håll nätsladden på avstånd från roterande insatsverktyg.** Om du förlorar kontrollen över elverktyget kan nätsladden kapas eller dras in varvid risk finns för att din hand eller arm dras mot det roterande insatsverktyget.
- l) **Lägg aldrig bort elverktyget innan insatsverktyget stannat fullständigt.** Det roterande insatsverktyget kan komma i beröring med underlaget varvid risk finns att du förlorar kontrollen över elverktyget.
- m) **Elverktyget får inte rotera när det bärs.** Kläder kan vid tillfällig kontakt med det roterande insatsverktyget dras in varvid insatsverktyget dras mot din kropp.
- n) **Rengör regelbundet elverktygets ventilationsöppningar.** Motorfläkten drar in damm i huset och en kraftig anhopning av metalldamm kan orsaka farliga elströmmar.
- o) **Använd inte elverktyget i närheten av brännbara material.** Risk finns för att gnistor antänder materialet.
- p) **Använd inte insatsverktyg som kräver flytande kylmedel.** Vatten eller andra kylvätskor kan medföra elstöt.

2) VARNING FÖR BAKSLAG

- Ett bakslag är en plötslig reaktion hos insatsverktyget när t.ex. slipskivan, sliprondellen, stålborsten hakar upp sig eller blockerar. Detta leder till abrupt uppbromsning av det roterande insatsverktyget. Härvid accelererar ett okontrollerat elverktyg mot insatsverktygets rotationsriktning vid inklämningsstället.
 - Om t.ex. en slipskiva hakar upp sig eller blockerar i arbetsstycket kan slipskivans kant i arbetsstycket klämmas fast varvid slipskivan bryts sönder eller orsakar bakslag. Slipskivan rör sig nu mot eller bort från användaren beroende på skivans rotationsriktning vid inklämningsstället. Härvid kan slipskivan även brytas sönder.
 - Bakslag uppstår till följd av missbruk eller felaktig hantering av elverktyget. Detta kan undvikas genom skyddsåtgärder som beskrivs nedan.
- a) **Håll stadigt i elverktyget samt kroppen och armarna i ett läge som är lämpligt för att motstå bakslagskrafter.** Använd alltid stödhandtaget för bästa möjliga kontroll av bakslagskrafter och reaktionsmoment vid start. Användaren kan genom lämpliga försiktighetsåtgärder bättre behärska bakslags- och reaktionskrafterna.

- b) **Håll alltid handen på betryggande avstånd från det roterande insatsverktyget.** Insatsverktyget kan vid ett bakslag gå mot din hand.
- c) **Undvik att hålla kroppen inom det område elverket vid ett bakslag rör sig.** Bakslaget kommer att driva elverket i motsatt riktning till slipskivans rörelse vid inklämningsstället.
- d) **Var särskilt försiktig vid bearbetning av hörn, skarpa kanter osv. Håll emot så att insatsverktyget inte studsar ut från arbetsstycket eller kommer i kläm.** På hörn, skarpa kanter eller vid studsning tenderar det roterande insatsverktyget att komma i kläm. Detta kan leda till att kontrollen förloras eller att bakslag uppstår.
- e) **Använd aldrig kedje- eller tandade sågklingor.** Dessa insatsverktyg orsakar ofta ett bakslag eller förlust av kontrollen över elverket.
- 3) SPECIELLA VARNINGAR FÖR SLIPNING OCH KAPSLIPNING**
- a) **Använd endast slipkroppar som godkänts för aktuellt elverktyg och de sprängskydd som är avsedda för dessa slipkroppar.** Slipkroppar som inte är avsedda för aktuellt elverktyg kan inte på betryggande sätt skyddas och är därför farliga.
- b) **Skålade slipkivor måste monteras så att skivans slipyta inte skjuter ut över sprängskyddskantens plan.** En felaktigt monterad slipskiva som skjuter ut över sprängskyddets plan kan inte smörjas i tillräcklig grad.
- c) **Sprängskyddet måste monteras ordentligt på elverket och vara infäst så att högsta möjliga säkerhet uppnås, dvs den del av slipkroppen som är vänd mot användaren måste vara möjligast väl skyddad.** Sprängskyddet ska skydda användaren mot brottstycken från, oavsiktlig kontakt med slipkroppen och gnistor som kan antända kläder.
- d) **Slipkroppar får användas endast för rekommenderade arbeten,** t.ex.: Slipa aldrig med kapskivans sidoyta. Kapskivor är avsedda för materialavverknin g med skivans kant. Om tryck från sidan utövas mot slipkroppen kan den spricka.
- e) **För vald slipskiva ska alltid oskadade spännflänsar i korrekt storlek och form användas.** Lämpliga flänsar stöder slipskivan och reducerar risken för slipskivsbrott. Flänsar för kapskivor och andra slipskivor kan ha olika utseende och form.
- f) **Använd inte nedslitna slipskivor från större elverktyg.** Slipskivor för större elverktyg är inte konstruerade för de mindre elverktygens högre varvtal och kan därför spricka.
- 4) ANDRA SPECIELLA SÄKERHETSANVISNINGAR FÖR KAPSLIPNING**
- a) **Se till att kapskivan inte kommer i kläm och att den inte utsätts för högt mottryck. Försök inte skära för djupt.** Om kapskivan överbelastas ökar dess påfrestning och risk finns för att den snedvrids eller blockerar som sedan kan resultera i bakslag eller slipkroppsbrott.
- b) **Undvik området framför och bakom den roterande kapskivan.** Om du för kapskivan i arbetsstycket bort från kroppen kan i händelse av ett bakslag elverket med roterande skiva slungas mot din kropp.
- c) **Om kapskivan kommer i kläm eller arbetet avbryts, koppla från elverket och håll det lugnt tills skivan stannat fullständigt. Försök aldrig dra ut en**

roterande kapskiva ur skärspåret då detta kan leda till bakslag. Lokalisera och åtgärda orsaken för inklämning.

- d) **Koppla inte åter på elverket om det sitter i arbetsstycket.** Låt kapskivan uppnå fullt varvtal innan den försiktigt förs in i skärspåret för fortsatt kapning. I annat fall kan skivan haka upp sig, hoppa ur arbetsstycket eller orsaka bakslag.
- e) **För att reducera risken för ett bakslag till följd av inklämd kapskiva ska skivor och andra stora arbetsstycken stödas.** Stora arbetsstycken kan böjas ut till följd av hög egenvikt. Arbetsstycket måste därför stödas på båda sidorna både i närheten av skärspåret och vid kanten.
- f) **Var speciellt försiktig vid "fickkapning" i dolda områden som t.ex. i en färdig vägg.** Där risk finns att kapskivan kommer i kontakt med gas- eller vattenledningar, elledningar eller andra föremål som kan orsaka bakslag.
- 5) SPECIELLA SÄKERHETSANVISNINGAR FÖR SANDPAPPERSSLIPNING**
- a) **Använd inte för stora slippapper, se tillverkarens uppgifter om slippapperets storlek.** Slippapper som står ut över sliprondellen kan leda till personskada, blockera, rivas sönder eller också orsaka bakslag.
- 6) SPECIELLA SÄKERHETSANVISNINGAR FÖR ARBETEN MED TRÅDBORSTAR**
- a) **Observera att trådborstar även under normal användning förlorar trådbitar. Överbelasta inte stålborsten med för högt anliggningsstryck.** Utslagnade trådbitar kan lätt tränga in genom kläder och/eller i huden.
- b) **När sprängskydd används bör man se till att sprängskyddet och trådborsten inte berör varandra.** Tallriks- och toppborstarnas diameter kan till följd av anliggningsstryck och centrifugalkrafter bli större.

ALLMÄNT

- Denna maskin är inte lämplig till vattenslipning/kapning
- Använd endast de flänsar som medföljer maskinen
- Den här maskinen ska inte användas av personer under 16 år
- **Dra alltid ur stickkontakten från väggurtaget innan du gör någon justering eller byter tillbehör**

TILLBEHÖR

- SKIL kan endast garantera att maskinen fungerar felfritt om originaltillbehör används
- **Använd endast slip/kapskivor med en tjocklek på högst 8 mm och en spindelhålsdiameter på 22 mm**
- Vid montering av tillbehör från andra tillverkare än SKIL skall anvisningarna från vederbörande tillverkare följas
- Använd aldrig en insatsbricka eller adapter för att fylla ett större centrumhål i slip/kapskivor
- Använd aldrig tillbehör med ett "blint" gängat hål som är mindre än M14 x 21 mm

ANVÄNDNING UTOMHUS

- Anslut maskinen till en jordfelsbrytare (FI) på högst 30 mA

FÖRE ANVÄNDNINGEN

- Det är bäst att visa dig hur maskinen används innan du använder den för första gången

- Kontrollera alltid att den tillförda strömtypen stämmer med spänningen som anges på maskinens märkplåt (maskiner med beteckningen 230V eller 240V kan även anslutas till 220V)
- Montera alltid extrahandtaget E ② och skyddskåpan F ②; använd aldrig maskinen utan dessa delar
- **Använd lämpliga detektorer för lokalisering av dolda försörjningsledningar eller konsultera lokalt distributionsföretag** (kontakt med elledningar kan förorsaka brand och elstöt; en skadad gasledning kan leda till explosion; borring i vattenledning kan förorsaka saksador eller elstöt)
- **Asbesthaltigt material får inte bearbetas** (asbest anses vara cancerframkallande)
- Viss typ av damm, exempelvis färg som innehåller bly, vissa träsorter, mineraler och metaller kan vara hälsovådliga om de inhaleras (hudkontakt eller inandning kan ge allergisk reaktion och/eller luftvägsproblem/ sjukdom hos personer i närheten); **använd andningsskydd och arbeta med en dammuppsamlare om sådan anslutning finns**
- Vissa typer av damm är klassificerade så som carcinogena (t.ex. ek- och björkdamm) särskilt i kombination med tillsatser för träbehandling; **använd andningsskydd och arbeta med en dammuppsamlare om sådan anslutning finns**
- Följ de nationella krav, som finns angående damm, för de material du skall arbeta med
- Var försiktig när du skär skåror, särskilt i bärande väggar (det finns bestämmelser om skåror i bärande väggar; dessa bestämmelser växlar från land till land och måste följas under alla förhållanden)
- **Sätt fast arbetsstycket** (ett arbetsstycke fastsatt med skruvtingar eller i ett skruvstöd är mera stabilt än om det hålls fast för hand)
- Spänn inte fast maskinen i ett stöd
- Använd helt utrullade och säkra förlängningssladdar med kapacitet på 16 A

UNDER ANVÄNDNINGEN

- Skadas eller kapas nätsladden under arbetet, rör inte vid sladden utan dra genast ut stickkontakten
- Använd ej maskinen om sladden är trasig; låt den byta ut av en kvalificerad person
- I händelse av onormala elektriska eller mekaniska störningar, stäng genast av maskinen och dra ur stickkontakten
- Om det blir strömavbrott eller kontakten dras ut av misstag skall på/av-knappen H ② omedelbart frigöras, så att maskinen inte kan starta upp igen oöversatt

EFTER ANVÄNDNINGEN

- Få aldrig tillbehöret att sluta rotera genom att utöva kraft på det från sidan efter det att maskinen har stängts av

ANVÄNDNING

- Montering av tillbehör ②
 - ! **drag ur stickkontakten**
 - gör ren spindeln A och alla delar som skall monteras
 - dra åt fastspänningsflänsen B med nyckel C och tryck samtidigt på spindellåsningknappen D
 - ! **tryck bara på spindellåsningknappen D när spindeln A står stilla**

- för borttagning av tillbehör utförs förfarandet i omvänd ordning
- ! **slip/kapskivor blir mycket varma under användningen; vidrör dem inte förrän de har svalnat**
- ! **montera alltid bakstycket vid användning av tillbehör för sandning**
- ! **använd aldrig en slip/kapskiva utan etikett; etiketten är fastklistrad (hvis medföljer) på skivan**
- Montering av extrahandtaget E ⑥
 - ! **drag ur stickkontakten**
 - skruva på extrahandtaget E på verktygets högra, övre eller vänstra sida (beroende på arbetet som ska utföras)
- Demontering/montering/justering av skyddskåpan F ⑦
 - ! **drag ur stickkontakten**
 - ! **se till att den slutna sidan av skyddskåpan alltid är riktad mot användaren**
- Före användning av maskinen
 - försäkra dig om att tillbehöret är korrekt monterat och ordentligt åtskruvat
 - kontrollera att tillbehöret rör sig obehindrat genom att vrida det för hand
 - testkör maskinen i minst 30 sekunder på maximalt tillåtna obelastade varvtal i en säker position
 - stanna omedelbart maskinen vid kraftig vibration eller om andra fel uppstått och kontrollera maskinen för att bedöma orsaken
- På/Av-låsströmbrytare H ⑧
 - sätt på maskinen ⑧a
 - ! **maskinen snabbstartar och kan rycka till innan tillbehöret sätts till arbetsstycket skall maskinen ha uppnått full hastighet**
 - lås strömbrytaren ⑧b
 - lösgör strömbrytaren/stäng av maskinen ⑧c
 - ! **maskinen skall tas bort från arbetsstycket innan den stängs av**
 - ! **tillbehöret fortsätter att rotera en kort stund efter att maskinen stängts av**
- Slipning ⑨
 - rör maskinen fram och tillbaka med måttligt tryck
 - ! **använd aldrig en kapskiva för sidslipning**
- Kapning ⑩
 - vicka inte på maskinen vid kapning
 - rör alltid maskinen i samma riktning som maskinhuvudet så att maskinen inte kan skjutas ut ur skåran på ett okontrollerat sätt
 - utöva inte tryck på maskinen; låt kapskivans varvtal göra arbetet
 - kapskivans varvtal beror på materialet som skall kapas
 - bromsa inte upp kapskivor genom att trycka på sidan
- Fattnings- och styrning av maskinen
 - håll alltid stadigt i maskinen med båda händerna, så att du hela tiden har full kontroll över maskinen
 - ! **under arbetet, håll alltid verktyget i det grå greppet ⑪**
 - se till att du står stadigt
 - tänk på rotationsriktningen och håll alltid maskinen så att gnistor och slip/skårdamm flyger bort från kroppen
 - håll ventilationsöppningarna J ⑫ ej övertäckta

ANVÄNDNINGSTIPS

- I stället för B ② kan "CLIC" snabbspänningsflänsen (SKIL tillbehör 2610388766) användas; då kan slip/kapskivor monteras utan användning av tillbehörsnycklar
- För fler tips se www.skil.com

UNDERHÅLL / SERVICE

- Det här verktyget är inte avsedd för yrkesmässig användning
- Håll alltid din maskin och sladden ren (speciellt ventilationsöppningarna J ②)
 - ! rengöring får ej göras genom att föra spetsiga föremål genom ventilationsöppningarna**
 - ! drag ur stickkontakten innan rengöring**
- Om i elverktyget trots exakt tillverkning och sträng kontroll störning skulle uppstå, bör reparation utföras av auktoriserad serviceverkstad för SKIL elverktyg
 - sänd in verktyget i **odemonterat skick** tillsammans med inköpsbevis till försäljaren eller till närmaste SKIL serviceverkstad (adresser till servicestationer och sprängskisser av maskiner finns på www.skil.com)

MILJÖ

- Elektriska verktyg, tillbehör och förpackning får inte kastas i hushållssoptorna** (gäller endast EU-länder)
 - enligt direktivet 2002/96/EG som avser äldre elektrisk och elektronisk utrustning och dess tillämpning enligt nationell lagstiftning ska uttjänta elektriska verktyg sorteras separat och lämnas till miljövänlig återvinning
 - symbolen ⑫ kommer att påminna om detta när det är tid att kassera

FÖRSÄKRAN OM ÖVERENSSTÄMMELSE CE

- Vi försäkrar härmed under exklusivt ansvar att denna produkt som beskrivs i "Tekniska data" överensstämmer med följande normer eller normativa dokument: EN 60745, EN 61000, EN 55014, enligt bestämmelserna i direktiven 2004/108/EG, 2006/42/EG, 2011/65/EU
- Teknisk tillverkningsdokumentation finns hos:**
SKIL Europe BV (PT-SEU/ENG1), 4825 BD Breda, NL

Marijn van der Hoofden
Operations & Engineering

Olaf Dijkgraaf
Approval Manager

SKIL Europe BV, 4825 BD Breda, NL

05.08.2013

LJUD/VIBRATION

- Ljudtrycksnivån som uppmätts enligt EN 60745 är på denna maskin 90 dB(A) och ljudeffektnivån 101 dB(A) (standard deviation: 3 dB), och vibration * m/s² (hand-arm metod; onoggrannhet K = 1,5 m/s²)
 - * vid smärgring ytor 8,1 m/s²
 - * vid slipning 6,2 m/s²
- ! andra applikationer (såsom kapning eller borstning) där kan vibrationsvärdena**

- Vibrationsemissionsvärdet har uppmätts enligt ett standardiserat test i enlighet med EN 60745; detta värde kan användas för att jämföra vibrationen hos olika verktyg och som en ungefärlig uppskattning av hur stor vibration användaren utsätts för när verktyget används enligt det avsedda syftet
 - om verktyget används på ett annat än det avsedda syftet eller med fel eller dåligt underhållna tillbehör kan detta drastiskt **öka** vibrationsnivån
 - när verktyget stängs av eller är på men inte används, kan detta avsevärt **minska** vibrationsnivån
- ! skydda dig mot vibration genom att underhålla verktyget och dess tillbehör, hålla händerna varma och styra upp ditt arbetssätt**

DK

Vinkelsliber

9176

INLEDNING

- Dette værktøj er beregnet til slibning, skæring og afgratning af metal og stenmaterialer uden brug af vand; med det rigtige tilbehør kan værktøjet også anvendes til skrubning og finslibning
- Dette værktøj er ikke beregnet til professionelt brug
- Skærefunktioner med limede slibe-skærehjul er kun tilladt, hvis der bruges en beskyttelseskærm (kan fås som ekstra SKIL tilbehør 2610399439)**
- Læs og gem denne betjeningsvejledning ③

TEKNISKE DATA ①

VÆRKTØJETS DELE ②

- A Spindel
- B Spændeflange
- C Nøgle
- D Spindellåseknop
- E Støttehåndtag
- F Beskyttelseskærm
- G Monteringsflange
- H On/off låseafbryder
- J Ventilationshuller

SIKKERHED

GENERALE SIKKERHEDSINSTRUKSER

⚠ VIGTIGT! Læs alle advarselshenvisninger og instrukser. I tilfælde af manglende overholdelse af advarselshenvisningerne og instrukserne er der risiko for elektrisk stød, brand og/eller alvorlige kvæstelser. **Opbevar alle advarselshenvisninger og instrukser til senere brug.** Det i advarselshenvisningerne benyttede begreb "el værktøj" refererer til netdrevet el værktøj (med netkabel) og akkudrevet el værktøj (uden netkabel).

1) SIKKERHED PÅ ARBEJDSPLADSEN

- a) **Sørg for, at arbejdsområdet er rent og ryddeligt.** Uorden eller uoplyste arbejdsområder øger faren for uheld.

- b) **Brug ikke maskinen i eksplosionstruede omgivelser, hvor der er brændbare væsker, gasser eller støv.** El-værktøj kan slå gnister, der kan antænde støv eller dampe.

- c) **Sørg for, at andre personer og ikke mindst børn holdes væk fra arbejdsområdet, når maskinen er i brug.** Hvis man distraheres, kan man miste kontrollen over maskinen.

2) ELEKTRISK SIKKERHED

- a) **Maskinens stik skal passe til kontakten. Stikket må under ingen omstændigheder ændres. Brug ikke adapterstik sammen med jordforbundne maskiner.** Uændrede stik, der passer til kontakterne, nedsætter risikoen for elektrisk stød.

- b) **Undgå kropskontakt med jordforbundne overflader som f.eks. rør, radiatorer, komfurer og køleskabe.** Hvis din krop er jordforbundet, øges risikoen for elektrisk stød.

- c) **Maskinen må ikke udsættes for regn eller fugt.** Indtrængning af vand i maskinen øger risikoen for elektrisk stød.

- d) **Brug ikke ledningen til formål, den ikke er beregnet til (f.eks. må man aldrig bære maskinen i ledningen, hænge maskinen op i ledningen eller rykke i ledningen for at trække stikket ud af kontakten).** Beskyt ledningen mod varme, olie, skarpe kanter eller maskindele, der er i bevægelse. Beskadigede eller indviklede ledninger øger risikoen for elektrisk stød.

- e) **Hvis maskinen benyttes i det fri, må der kun benyttes en forlængerledning, der er godkendt til udendørs brug.** Brug af forlængerledning til udendørs brug nedsætter risikoen for elektrisk stød.

- f) **Hvis det ikke kan undgås at bruge maskinen i fugtige omgivelser, skal der bruges et HFI-relæ.** Brug af et HFI-relæ reducerer risikoen for at få elektrisk stød.

3) PERSONLIG SIKKERHED

- a) **Det er vigtigt at være opmærksom, se, hvad man laver, og bruge maskinen fornuftigt. Man bør ikke bruge maskinen, hvis man er træt, har nydt alkohol eller er påvirket af medicin eller euforiserende stoffer.** Få sekunders uopmærksomhed ved brug af maskinen kan føre til alvorlige personskader.

- b) **Brug beskyttelsesudstyr og hav altid beskyttelsesbriller på.** Brug af sikkerhedsudstyr som f.eks. støvmaske, skridsikkert fodtøj, beskyttelseshjelm eller høreværn afhængig af maskintype og anvendelse nedsætter risikoen for personskader.

- c) **Undgå utilsigtet igangsætning. Kontrollér, at el værktøjet er slukket, før du tilslutter det til strømtilførslen og/eller akkuen, løfter eller bærer det.** Undgå at bære el værktøjet med fingeren på afbryderen og sørg for, at el værktøjet ikke er tændt, når det sluttes til nettet, da dette øger risikoen for personskader.

- d) **Fjern indstillingsværktøj eller skruenøgle, inden maskinen tændes.** Hvis et stykke værktøj eller en nøgle sidder i en roterende maskindele, er der risiko for personskader.

- e) **Overvurder ikke dig selv. Sørg for at stå sikkert, mens der arbejdes, og kom ikke ud af balance.** Det

er derved nemmere at kontrollere maskinen, hvis der skulle opstå uventede situationer.

- f) **Brug egnet arbejdstøj. Undgå løse beklædningsgenstande eller smykker. Hold hår, tøj og handsker væk fra dele, der bevæger sig.** Dele, der er i bevægelse, kan gribe fat i løstsiddende tøj, smykker eller langt hår.

- g) **Hvis støvsugnings- og opsamlingsudstyr kan monteres, er det vigtigt, at dette tilsluttes og benyttes korrekt.** Brug af en støvsugning nedsætter risikoen for personskader som følge af støv.

4) OMHYGGELIG OMGANG MED OG BRUG AF EL-VÆRKTØJ

- a) **Undgå overbelastning af maskinen. Brug altid en maskine, der er beregnet til det stykke arbejde, der skal udføres.** Med den rigtige maskine arbejder man bedst og mest sikkert inden for det angivne effektområde.

- b) **Brug ikke en maskine, hvis afbryder er defekt.** En maskine, der ikke kan startes og stoppes, er farlig og skal repareres.

- c) **Træk stikket ud af stikkontakten og/eller fjern akkuen, inden maskinen indstilles, der skiftes tilbehørsdele, eller maskinen lægges fra.** Disse sikkerhedsforanstaltninger forhindrer utilsigtet start af maskinen.

- d) **Opbevar ubenyttet el-værktøj uden for børns rækkevidde. Lad aldrig personer, der ikke er fortrolige med maskinen eller ikke har gennemlæst disse instrukser, benytte maskinen.** El-værktøj er farligt, hvis det benyttes af ukyndige personer.

- e) **Maskinen bør vedligeholdes omhyggeligt. Kontroller, om bevægelige dele fungerer korrekt og ikke sidder fast, og om delene er brækket eller beskadiget, således at maskinens funktion påvirkes. Få beskadigede dele repareret, inden maskinen tages i brug.** Mange uheld skyldes dårligt vedligeholdte maskiner.

- f) **Sørg for, at skæreværktøjer er skarpe og rene.** Omhyggeligt vedligeholdte skæreværktøjer med skarpe skærekanter sætter sig ikke så hurtigt fast og er nemmere at føre.

- g) **Brug el-værktøj, tilbehør, indsatsværktøj osv. iht. disse instrukser. Tag hensyn til arbejdsforholdene og det arbejde, der skal udføres. I tilfælde af anvendelse af værktøjet til formål, som ligger uden for det fastsatte anvendelsesområde, kan der opstå farlige situationer.**

5) SERVICE

- a) **Sørg for, at maskinen kun repareres af kvalificerede fagfolk, og at der kun benyttes originale reservedele.** Dermed sikres størst mulig maskinsikkerhed.

SIKKERHEDSINSTRUKTIONER FOR VINKELSLIBERE

1) SIKKERHEDSINSTRUKSER FOR ALLE ARBEJDE

- a) **Dette el-værktøj kan anvendes som sliber, sandpapirsliber, trådbørste, og skæremaskine. Læs og overhold alle advarsler, instruktioner, illustrationer og data, som du modtager i forbindelse med el-værktøjet.** Overholder du ikke følgende instruktioner, kan du få elektrisk stød, der kan opstå brand og /eller du kan blive kvæstet alvorligt.

- b) **Dette elektriske værktøj anbefales ikke til polering.** Hvis man anvender det elektriske værktøj til andet end det beregnede formål, kan der opstå fare og personskade.
- c) **Anvend kun tilbehør, hvis det er beregnet til dette el-værktøj og anbefalet af fabrikanten.** En mulig fastgørelse af tilbehøret til el-værktøjet sikrer ikke en sikker anvendelse.
- d) **Den tilladte hastighed for indsatsværktøjet skal mindst være så høj som den max. hastighed, der er angivet på el-værktøjet.** Tilbehør, der drejer hurtigere end tilladt, kan blive ødelagt.
- e) **Indsatsværktøjets udvendige diameter og tykkelse skal svare til målene på dit el-værktøj.** Forkert målte indsatsværktøjer kan ikke afskærms eller kontrolleres tilstrækkeligt.
- f) **Indsatsværktøj med gevindindsats skal passe nøjagtigt på slibespindlens gevind. Ved indsatsværktøj, der monteres med en flange, skal indsatsværktøjets hul diameter passe til flangens holdediameter.** Indsatsværktøj, der ikke fastgøres nøjagtigt på el-værktøjet, drejer ujævnt, vibrerer meget stærkt og kan medføre, at man taber kontrollen.
- g) **Brug ikke el-værktøjet, hvis det er beskadiget. Kontrollér altid før brug indsatsværktøj som f.eks. slibeskiver for afsplintninger og revner, slibebagskiver for revner, slid eller stærkt slid, trådbørster for løse eller brækkede tråde. Tabes el-værktøjet eller indsatsværktøjet på jorden, skal du kontrollere, om det er beskadiget; anvend evt. et ubeskadiget indsatsværktøj. Når indsatsværktøjet er kontrolleret og indsat, skal du holde dig selv og personer, der befinder sig i nærheden, uden for det niveau, hvor indsatsværktøjet roterer, og lad el-værktøjet køre i et minut ved højeste hastighed.** Beskadiget indsatsværktøj brækker for det meste i denne testtid.
- h) **Brug personligt beskyttelsesudstyr ④. Brug helmaske til ansigtet, øjenvern eller beskyttelsesbriller, afhængigt af det udførte arbejde. Brug afhængigt af arbejdets art støvmaske, høreværn, beskyttelseshandsker eller specialforklæde, der beskytter dig mod små slibe- og materialepartikler. Øjenene skal beskyttes mod fremmede genstande, der flyver rundt i luften og som opstår i forbindelse med forskelligt arbejde. Støv- eller åndedrætsmaske skal filtrere det støv, der opstår under arbejdet. Udsættes du for høj støj i længere tid, kan du lide høretab.**
- i) **Sørg for tilstrækkelig afstand til andre personer under arbejdet. Enhver, der betræder arbejdsområdet, skal bruge personligt beskyttelsesudstyr.** Brudstykker fra emnet eller brækkede indsatsværktøjer kan flyve væk og føre til kvæstelser også uden for det direkte arbejdsområde.
- j) **Hold altid kun el-værktøjet i de isolerede gribeblader, når du udfører arbejde, hvor indsatstilbehøret kan ramme bøjede strømledninger eller el-værktøjets eget kabel.** Kontakt med en spændingsførende ledning kan også sætte el-værktøjets metaldele under spænding, hvilket kan føre til elektrisk stød.
- k) **Hold netkablet væk fra roterende indsatsværktøj.** Taber du kontrollen over el-værktøjet, kan netkablet skæres over eller rammes, og din hånd eller din arm kan trækkes ind i det roterende indsatsværktøj.
- l) **Læg aldrig el-værktøjet til side, før indsatsværktøjet står helt stille.** Det roterende indsatsværktøj kan komme i kontakt med fralægningsfladen, hvorved du kan tabe kontrollen over el-værktøjet.
- m) **Lad ikke el-værktøjet køre, mens det bæres.** Dit tøj kan blive fanget ved en tilfældig kontakt med det roterende indsatsværktøj, hvorved indsatsværktøjet kan bore sig ind i din krop.
- n) **Rengør ventilationsåbningerne på dit el-værktøj med regelmæssige mellemrum.** Motoren trækker støv ind i huset, og store mængder metalstøv kan være farligt rent elektrisk.
- o) **Brug ikke el-værktøjet i nærheden af brændbare materialer.** Gnister kan sætte ild i materialer.
- p) **Brug ikke indsatsværktøj, der transporterer flydende kølemiddel.** Brug af vand eller andre flydende kølemidler kan føre til elektrisk stød.
- 2) TILBAGESLAG OG TILSVARENDE ADVARSLER**
- **Tilbageslag er en pludselig reaktion, som skyldes, at et roterende indsatsværktøj (slibemaskine, slibebagskive, trådbørste osv.) har sat sig fast eller blokerer.** Fastsættelse eller blokering fører til et pludseligt stop af det roterende indsatsværktøj. Derved accelererer et ukontrolleret el-værktøj mod indsatsværktøjets drejeretning på blokeringsstedet.
 - **Sidder f.eks. en slibeskive fast eller blokerer i et emne, kan kanten på slibeskiven, der dykker ned i emnet, blive siddende, hvorved slibeskiven brækker af eller fører til et tilbageslag.** Slibeskiven bevæger sig så hen imod eller væk fra betjeningspersonen, afhængigt af skivens drejeretning på blokeringsstedet. I denne forbindelse kan slibeskiver også brække.
 - **Et tilbageslag skyldes forkert eller fejlbehæftet brug af el-værktøjet.** Det kan forhindres ved at træffe egnede forsigtighedsforanstaltninger, der beskrives i det følgende.
- a) **Hold godt fast i el-værktøjet og sørg for at både krop og arme befinder sig i en position, der kan klare tilbageslagskræfterne. Anvend altid ekstrahåndtaget, hvis et sådant findes, for at have så meget kontrol som muligt over tilbageslagskræfterne eller reaktionsmomenterne, når maskinen kører op i hastighed.** Betjeningspersonen kan beherske tilbageslags- og reaktionskræfterne med egnede forsigtighedsforanstaltninger.
- b) **Sørg for at din hånd aldrig kommer i nærheden af de roterende indsatsværktøjer.** Indsatsværktøjet kan bevæge sig hen over din hånd i forbindelse med et tilbageslag.
- c) **Undgå at din krop befinder sig i det område, hvor el-værktøjet bevæger sig i forbindelse med et tilbageslag.** Tilbageslaget driver el-værktøjet i modsat retning af slibeskivens bevægelse på blokeringsstedet.
- d) **Arbejd særlig forsigtig i områder som f.eks. hjørner, skarpe kanter osv. Forhindre at indsatsværktøjet slår tilbage fra emnet og sætter sig fast.** Det roterende indsatsværktøj har tendens til at sætte sig fast,

- når det anvendes i hjørner, skarpe kanter eller hvis det springer tilbage. Dette medfører, at man taber kontrollen eller til tilbageslag.
- e) **Brug ikke kædesavklinger eller tandede savklinger.** Sådanne indsatsværktøjer fører hyppigt til tilbageslag eller at man taber kontrollen over el-værktøjet.
- 3) SPECIFIKKE ADVARSELSHENVISNINGER TIL SLIBNING OG SLIBE-SKÆREARBEJDE**
- a) **Brug udelukkende slibeskiver/slibestifter, der er godkendt til dit el-værktøj, og den beskyttelsesskærm, der er beregnet til disse slibeskiver/slibestifter.** Slibeskiver/slibestifter, der ikke er beregnet til el-værktøjet, kan ikke beskyttes tilstrækkeligt og er usikre.
- b) **Krøpede slibeskiver skal monteres, så deres slibeflade ikke rager ud over niveauet på beskyttelseshættens kant.** En forkeret monteret slibeskive, der rager ud over niveauet på beskyttelseshættens kant, kan ikke afskærmees tilstrækkeligt.
- c) **Beskyttelsesskærmen skal være anbragt sikkert på el-værktøjet og være indstillet på en sådan måde, at der nås max. sikkerhed, dvs. at den mindst mulige del af slibeskiven/slibestiften skal pege hen imod betjeningspersonen.** Beskyttelsesskærmen skal beskytte betjeningspersonen mod brudstykker, tilfældig kontakt med slibeskiven/slibestiften og gnister, der kunne antænde tøj.
- d) **Slibeskiver/slibestifter må kun anvendes til de anbefalede formål.** F.eks.: Slib aldrig med sidefladen på en skæreskive. Skæreskiver er bestemt til materialeafslibning med kanten på skiven. Udsættes disse slibeskiver/slibestifter for sidevendt kraftpåvirkning, kan de ødelægges.
- e) **Anvend altid ubeskadigede spændeflanger i den rigtige størrelse og form, der passer til den valgte slibeskive.** Egnede flanger støtter slibeskiven og forringer således faren for brud på slibeskiven. Flanger til skæreskiver kan være forskellige fra flanger for andre slibeskiver.
- f) **Brug ikke slidte slibeskiver, der passer til større el-værktøj.** Slibeskiver til større el-værktøj kan brække, da de ikke er egnede til de højere omdrejningstal, som småt el-værktøj arbejder med.
- 4) YDERLIGERE SÆRLIGE ADVARSELSHENVISNINGER TIL SKÆREARBEJDE**
- a) **Undgå at skæreskiven blokerer eller får for højt modtryk.** Foretag ikke meget dybe snit. Overbelastes skæreskiven, øges skivens belastning og der er større tendens til, at skiven kan sætte sig i klemme eller blokere, hvilket igen kan føre til tilbageslag eller brud på slibeskiven/slibestiften.
- b) **Undgå området for og bag ved den roterende skæreskive.** Bevæger du skæreskiven i emnet væk fra dig selv, kan el-værktøjets roterende skive slynges direkte ind mod dig i tilfælde af et tilbageslag.
- c) **Sidder skæreskiven i klemme eller afbryder du arbejdet, slukkes el-værktøjet og maskinen holdes roligt, til skiven er stoppet.** Forsøg aldrig at trække skæreskiven ud af snittet, mens den roterer, da dette kan føre til et tilbageslag. Lokalisér og afhjælp fejlen.

- d) **Tænd ikke for el-værktøjet, så længe den befinder sig i emnet. Sørg for at skæreskiven når op på sit fulde omdrejningstal, før du forsigtigt fortsætter snittet.** Ellers kan skiven sætte sig i klemme, springe ud af emnet eller forårsage et tilbageslag.
- e) **Understøt plader eller store emner for at reducere risikoen for et tilbageslag som følge af en fastklemt skæreskive.** Store plader kan bøje sig under deres egen vægt. Emnet skal støttes på begge sider, både i nærheden af skæresnittet og ved kanten.
- f) **Vær særlig forsigtig ved „lommesnit“ i bestående vægge eller andre områder, hvor man ikke har direkte indblik.** Den neddykkende skæreskive kan forårsage et tilbageslag, når der skæres i gas- eller vandledninger, elektriske ledninger eller andre genstande.
- 5) SÆRLIGE ADVARSELSHENVISNINGER TIL SANDPAPIRSLIBNING**
- a) **Anvend ikke overdimensioneret slibepapir, men læs og overhold fabrikanthens forskrifter mht. slibepapirets størrelse.** Slibepapirer, der rager ud over slibebagaskiven, kan føre til kvæstelser eller blokering eller iturivning af slibepapirerne eller til tilbageslag.
- 6) SÆRLIGE ADVARSELSHENVISNINGER I FORBINDELSE MED ARBEJDE MED TRÅDBØRSTER**
- a) **Vær opmærksom på, at trådbørsten også taber trådstykker under almindelig brug. Overbelast ikke trådene med et for stort tryk.** Flyvende trådstykker kan meget hurtigt trænge ind under tyndt tøj og/eller huden.
- b) **Anbefales det at bruge en beskyttelsesskærm, skal du forhindre, at beskyttelsesskærm og trådbørste kan berøre hinanden.** Tallerken- og kopbørster kan øge deres diameter med tryk og centrifugalkraft.

GENERELT

- Dette værktøj er ikke egnet til vandslibning/skæring
- Anvend kun flangerne, der leveres med dette værktøj
- Dette værktøj må ikke bruges af personer under 16 år
- **Fjern altid først stikket fra kontakten, før De foretager nogle ændringer eller skifter tilbehør**

TILBEHØR

- SKIL kan kun sikre en korrekt funktion af værktøjet, hvis der benyttes originalt tilbehør
- **Anvend kun slibe/skæreskiver med en maksimal tykkelse på 8 mm og en hul diameter for spindlen på 22 mm**
- Ved montering/anvendelse af tilbehør, der ikke er fremstillet af SKIL, skal den pågældende producents instruktioner overholdes nøje
- Anvend aldrig reduktionsmuffer eller adaptere for at få slibe/skæreskiver med større huller til at passe
- Brug aldrig tilbehør med et "blindt" gevindhul, der er mindre end M14 x 21 mm

UENDØRS BRUG

- Tilslut værktøjet via en fejlstrømsafbryder (FI) med en triggestrøm på 30 mA maksimum

INDEN BRUG

- Inden værktøjet anvendes første gang, anbefales det, at man modtager praktisk undervisning
- Kontrollér altid at forsyningsspændingen er den samme som den spænding, der er anført på værktøjets navneskilt (værktøj med betegnelsen 230V eller 240V kan også tilsluttes til 220V)

- Monter altid støttegrebet E ② og beskyttelsesskærmen F ②; anvend aldrig værktøjet uden disse dele
- **Anvend egnede søgeinstrumenter til at finde frem til skjulte forsyningsledninger eller kontakt det lokale forsyningselskab** (kontakt med elektriske ledninger kan føre til brand og elektrisk stød; beskadigelse af en gasledning kan føre til eksplosion; brud på et vandrør kan føre til materiel skade eller elektrisk stød)
- **Bearbejd ikke asbestholdigt materiale** (asbest er kræftfremkaldende)
- Støv fra materiale som f.eks. maling, der indeholder bly, nogle træsorter, mineraler og metal kan være skadeligt (kontakt med eller indånding af støvet kan forårsage allergiske reaktioner og/eller sygdomme i luftvejene hos den, der anvender værktøjet, eller hos omkringstående); **bær en støvmaske og arbejd med en støvudsugningsanordning, hvor en sådan kan sluttes til**
- Visse slags støv er klassificeret som kræftfremkaldende (som f.eks. støv fra eg og bøg) især i forbindelse med tilsætningsstoffer til træbehandling; **bær en støvmaske og arbejd med en støvudsugningsanordning, hvor en sådan kan sluttes til**
- Følg de nationale krav, hvad angår støv, for de materialer, du ønsker at arbejde med
- Vær forsigtig, når der skæres furer, især i bærende mure (furer i bærende mure er underkastet landsspecifikke regler; disse regler skal altid overholdes; så før man begynder arbejdet)
- **Fastgør emnet** (det er sikrere at holde emner i en fastgøringsanordning eller skruestik end med hånden)
- Spænd ikke værktøjet fast i en skruestik
- Anvend helt udrullede og sikre forlængerledninger med en kapacitet på 16 A

UNDER BRUG

- Hvis kablet beskadiges eller skæres over under arbejdet, ikke berør kablet, og straks træk ud stikket
- Brug ikke værktøjet, hvis kablet er beskadiget; få det skiftet ud af en anerkendt fagmand
- I tilfælde af elektrisk eller mekanisk fejlfunktion skal afbryderen straks afbrydes og stikket tages ud af kontakten
- I tilfælde af strømbrydelse eller når stikket ved et uheld trækkes ud af stikkontakten, skal tænd/sluk-låseafbryderen H ② omgående låses op for at forhindre utilsigtet start

EFTER BRUG

- Efter at man har slukket for værktøjet, må man aldrig standse tilbehørets rotation ved at påføre en sidelæns kraft mod det

BETJENING

- Montering af tilbehør ②
 - ! **træk stikket ud af kontakten**
 - rengør spindlen A og alle de dele, der skal monteres
 - stram spændeflansen B med nøglen C, mens der trykkes på spindellåseknappen D
 - ! **tryk kun på spindellåseknappen D, når spindlen A ikke bevæger sig**
 - ved afmontering af tilbehørsgeb og omvendt
 - ! **slibe/skæreskiver bliver meget varme under brug; rør ikke ved dem, før de er kølet af**

- ! **monter altid bagpladen, når der anvendes slibetilbehør**
- ! **anvend aldrig en slibe/skæreskive uden mærkaten, som er limet fast på den (hvis et sådant findes)**
- Montering af støttegrebet E ⑥
 - ! **træk stikket ud af kontakten**
 - skru støttegrebet E på højre, øverste eller venstre side af værktøjet (afhængig af det arbejde, der skal udføres)
- Afmontering/montering/indstilling af beskyttelsesskærmen F ⑦
 - ! **træk stikket ud af kontakten**
 - ! **sørg for at den lukkede side af beskyttelsesskærmen altid vender mod brugeren**
- For ibrugtagning af værktøjet
 - vær sikker, at tilbehøret er rigtigt monteret og sidder godt fast
 - check at tilbehøret løber frit ved at dreje det rundt med hånden
 - test værktøjet i min. 30 sekunder på nøjeste omdrejningstal i en sikker position
 - ved anselig vibration eller andre defekter, stop straks værktøjet og check værktøjet for at finde den mulige årsag hertil
- On/off låseafbryder H ⑧
 - tænd værktøjet ⑧a
 - ! **vær opmærksom på det pludselige ryk når værktøjet startes**
 - ! **lad værktøjet køre på fuld kraft før tilbehøret berører arbejdsemnet**
 - lås afbryderen ⑧b
 - udløs afbryderen/sluk værktøjet ⑧c
 - ! **før der slukkes for værktøjet, skal det løftes op fra arbejdsemnet**
 - ! **tilbehøret fortsætter med at dreje rundt få sekunder efter at værktøjet er slukket**
- Slibning ⑨
 - før værktøjet frem og tilbage med moderat tryk
 - ! **anvend aldrig en skæreskive til sidelæns slibning**
- Skæring ⑩
 - hold altid værktøjet skråt ved skæring
 - bevæg altid værktøjet i samme retning som pilen på værktøjshovedet for at undgå at værktøjet skubbes ud af udskæringen på en ukontrolleret måde
 - påfør ikke tryk på værktøjet; lad skæreskivens hastighed gøre arbejdet
 - skæreskivens arbejds hastighed afhænger af det materiale, der skal skæres
 - brems ikke skæreskiver ved at bruge sidelæns tryk
- Håndtering og styring af værktøjet
 - man skal altid holde godt fast i værktøjet med begge hænder, så man har fuldt herredømme over værktøjet på alle tidspunkter
 - ! **under arbejde, hold altid om værktøjet på de grå markerede grebsområde(r) ⑪**
 - man skal stille sig sådan, at man står godt og sikkert
 - man skal være opmærksom på rotationsretningen; man skal altid holde værktøjet således, at gnister og slibe/skærestøv flyver væk fra kroppen
 - hold ventilationshullerne J ② utildækkede

GODE RÅD

- I stedet for flangen B ② kan man anvende "CLIC" lydspændeflanger (SKIL tilbehør 2610388766); slibe/skæreskiver kan så monteres uden brug af tilbehørsgøgl
- For flere tips se www.skil.com

VEDLIGEHOLDELSE/SERVICE

- Dette værktøj er ikke beregnet til professionelt brug
- Hold værktøjet og ledningen ren (især ventilationshullerne J ②)
 - ! **prøv ikke at rengøre ved at stikke spidse genstande igennem hullerne**
 - ! **træk stikket ud før rensning**
- Skulle el værktøjet trods omhyggelig fabrikation og kontrol holde op med at fungere, skal reparationen udføres af et autoriseret serviceværksted for SKIL-elektroværktøj
 - send den **uskilte** værktøjet sammen med et købsbevis til forhandleren eller nærmeste SKIL serviceværksted (adresser og reservedelstegning af værktøjet findes på www.skil.com)

MILJØ

- **Elværktøj, tilbehør og emballage må ikke bortskaffes som almindeligt affald** (kun for EU-lande)
 - i henhold til det europæiske direktiv 2002/96/EF om bortskaffelse af elektriske og elektroniske produkter og gældende national lovgivning, skal brugt elværktøj indsamles separat og bortskaffes på en måde, der skåner miljøet mest muligt
 - symbolet ⑫ erindrer dig om dette, når udskiftning er nødvendig

OVERENSSTEMMELSESERKLÆRING CE

- Vi erklærer under almindeligt ansvar, at det produkt, der er beskrevet under "Tekniske data", er i overensstemmelse med følgende standarder eller normative dokumenter: EN 60745, EN 61000, EN 55014, i henhold til bestemmelserne i direktiverne 2004/108/EF, 2006/42/EF, 2011/65/EU
- **Teknisk dossier hos:** SKIL Europe BV (PT-SEU/ENG1), 4825 BD Breda, NL

Marijn van der Hoofden
Operations & Engineering

Olaf Dijkgraaf
Approval Manager

SKIL Europe BV, 4825 BD Breda, NL

05.08.2013

STØJ/VIBRATION

- Måles efter EN 60745 er lydtrykniveau af dette værktøj 90 dB(A) og lydeffektniveau 101 dB(A) (standard deviation: 3 dB), og vibrationsniveauet * m/s^2 (hånd-arm metoden; usikkerhed $K = 1,5 m/s^2$)
 - * ved overfladeslibning 8,1 m/s^2
 - * ved pudsnng 6,2 m/s^2
- ! **andre applikationer (som f.eks. skæring eller arbejde med trådbørster) kan have anderledes vibrations værdier**
- Det vibrationsniveau er målt i henhold til den standardiserede test som anført i EN 60745; den kan benyttes til at sammenligne to stykker værktøj og som en foreløbig bedømmelse af udsættelsen for vibrationer, når værktøjet anvendes til de nævnte formål
 - anvendes værktøjet til andre formål eller med andet eller dårligt vedligeholdt tilbehør, kan dette **øge** udsættelsesniveauet betydeligt
 - de tidsrum, hvor værktøjet er slukket, eller hvor det kører uden reelt at udføre noget arbejde, kan **reducere** udsættelsesniveauet betydeligt
- ! **beskyt dig selv imod virkningerne af vibrationer ved at vedligeholde værktøjet og dets tilbehør, ved at holde dine hænder varme og ved at organisere dine arbejdsmønstre**

N

Vinkelsliper

9176

INTRODUKSJON

- Dette verktøyet er beregnet for sliping, kapping og avsliping av støpe-grad på metall og steinmaterialer uten bruk av vann; ved å bruke hensiktsmessig tilbehør, kan verktøyet også brukes til børsting og pussing
- Dette verktøyet er ikke beregnet på profesjonell bruk
- **Kutteoperasjoner med limte slipe/kapp-skiver er kun tillatt ved bruk av verne deksel (tilgjengelig som valgfritt SKIL tilbehør 2610399439)**
- Les og ta vare på denne brukerveiledningen ③

TEKNISKE DATA ①

VERKTØYELEMENTER ②

- A Spindel
- B Klemflens
- C Skrunøkkel
- D Spindellåseknapp
- E Støttehåndtak
- F Sikkerhetsdeksel
- G Monteringsflens
- H Av/på låsebryter
- J Ventilasjonsåpninger

SIKKERHET

GENERELLE SIKKERHETSANVISNINGER

⚠ OBS! Les gjennom alle advarslene og anvisningene.
Feil ved overholdelsen av advarslene og nedenstående

anvisninger kan medføre elektriske støt, brann og/eller alvorlige skader. **Ta godt vare på alle advarslene og informasjonene.** Det nedenstående anvendte uttrykket "elektroverktøy" gjelder for strømdrevne elektroverktøy (med ledning) og batteridrevne elektroverktøy (uten ledning).

1) SIKKERHET PÅ ARBEIDSPLASSEN

- a) **Hold arbeidsområdet rent og ryddig.** Rotete arbeidsområder eller arbeidsområder uten lys kan føre til ulykker.
- b) **Ikke arbeid med maskinen i eksplosjonsutsatte omgivelser – der det befinner seg brennbare væsker, gass eller støv.** Elektroverktøy lager gnister som kan antenne støv eller damper.
- c) **Hold barn og andre personer unna når elektroverktøyet brukes.** Hvis du blir forstyrret under arbeidet, kan du miste kontrollen over maskinen.

2) ELEKTRISK SIKKERHET

- a) **Støpselet til maskinen må passe inn i stikkkontakten. Støpselet må ikke forandres på noen som helst måte. Ikke bruk adapterstøpsler sammen med jordede maskiner.** Bruk av støpsler som ikke er forandret på og passende stikkontakter reduserer risikoen for elektriske støt.
- b) **Unngå kroppskontakt med jordede overflater slik som rør, ovner, komfyrer og kjøleskap.** Det er større fare ved elektriske støt hvis kroppen din er jordet.
- c) **Hold maskinen unna regn eller fuktighet.** Dersom det kommer vann i et elektroverktøy, øker risikoen for elektriske støt.
- d) **Ikke bruk ledningen til andre formål, f.eks. til å bære maskinen, henge den opp eller trekke den ut av stikkkontakten. Hold ledningen unna varme, olje, skarpe kanter eller maskindeler som beveger seg.** Med skadede eller opphopede ledninger øker risikoen for elektriske støt.
- e) **Når du arbeider utendørs med et elektroverktøy, må du kun bruke en skjoteledning som er godkjent til utendørs bruk.** Når du bruker en skjoteledning som er egnet for utendørs bruk, reduseres risikoen for elektriske støt.
- f) **Hvis det ikke kan unngås å bruke elektroverktøyet i fuktige omgivelser, må du bruke en jordfeilbryter.** Bruk av en jordfeilbryter reduserer risikoen for elektriske støt.

3) PERSONSIKKERHET

- a) **Vær oppmerksom, pass på hva du gjør, gå fornuftig frem når du arbeider med et elektroverktøy. Ikke bruk maskinen når du er trett eller er påvirket av narkotika, alkohol eller medikamenter.** Et øyeblikks uoppmerksomhet ved bruk av maskinen kan føre til alvorlige skader.
- b) **Bruk personlig verneutstyr og husk alltid å bruke vernebriller.** Bruk av personlig sikkerhetsutstyr som støvmaske, sklifaste arbeidssko, hjelm eller hørselvern – avhengig av type og bruk av elektroverktøyet – reduserer risikoen for skader.
- c) **Unngå å starte verktøyet ved en feiltagelse. Forvis deg om at elektroverktøyet er slått av før du kobler det til strømmen og/eller batteriet, løfter det opp eller bærer det.** Hvis du holder fingeren på bryteren når

du bærer elektroverktøyet eller kobler elektroverktøyet til strømmen i innkoblet tilstand, kan dette føre til uhell.

- d) **Fjern innstillingsverktøy eller skrunøkler før du slår på elektroverktøyet.** Et verktøy eller en nøkkel som befinner seg i en roterende maskindel, kan føre til skader.
 - e) **Ikke overvurder deg selv. Sørg for å stå stødig og i balanse.** Dermed kan du kontrollere maskinen bedre i uventede situasjoner.
 - f) **Bruk alltid egnede klær. Ikke bruk vide klær eller smykker. Hold hår, tøy og hansker unna deler som beveger seg.** Løstsittende tøy, smykker eller langt hår kan komme inn i deler som beveger seg.
 - g) **Hvis det kan monteres støvavsug- og oppsamlingsinnretninger, må du forvise deg om at disse er tilkoblet og brukes på korrekt måte.** Bruk av et støvavsug reduserer faren på grunn av støv.
- ### 4) AKTSOM HÅNDTERING OG BRUK AV ELEKTROVERKTØY
- a) **Ikke overbelast maskinen. Bruk et elektroverktøy som er beregnet til den type arbeid du vil utføre.** Med et passende elektroverktøy arbeider du bedre og sikrere i det angitte effektområdet.
 - b) **Ikke bruk elektroverktøy med defekt på-/avbryter.** Et elektroverktøy som ikke lenger kan slås av eller på, er farlig og må repareres.
 - c) **Trekk støpselet ut av stikkkontakten og/eller fjern batteriet før du utfører innstillinger på elektroverktøyet, skifter tilbehørsdeler eller legger maskinen bort.** Disse tiltakene forhindrer en utilsiktet starting av maskinen.
 - d) **Elektroverktøy som ikke er i bruk må oppbevares utilgjengelig for barn. Ikke la maskinen brukes av personer som ikke er fortrolig med dette eller ikke har lest disse anvisningene.** Elektroverktøy er farlige når de brukes av uerfarne personer.
 - e) **Vær nøye med vedlikeholdet av maskinen. Kontroller om bevegelige maskindeler fungerer feifritt og ikke klemmes fast, og om deler er brukket eller skadet, slik at dette innvirker på maskinens funksjon. La skadede deler repareres før maskinen brukes.** Dårlig vedlikeholdte elektroverktøy er årsaken til mange uhell.
 - f) **Hold skjæreverktøyene skarpe og rene.** Godt stelte skjæreverktøy med skarpe skjær setter seg ikke så ofte fast og er lettere å føre.
 - g) **Bruk elektroverktøy, tilbehør, verktøy osv. i henhold til disse anvisningene. Ta hensyn til arbeidsforholdene og arbeidet som skal utføres.** Bruk av elektroverktøy til andre formål enn det som er angitt kan føre til farlige situasjoner.

5) SERVICE

- a) **Maskinen din skal alltid kun repareres av kvalifisert fagpersonale og kun med originale reservedeler.** Slik opprettholdes maskinens sikkerhet.

SIKKERHETSANVISNINGER FOR VINKELSLIPERE

1) SIKKERHETSANVISNINGER FOR ALLE ARBEIDER

- a) **Dette elektroverktøyet skal brukes som sliper, sandpapiersliper, stålborste, og kuttessliper. Følg alle advarsler, anvisninger, bilder og data som du får levert sammen med elektroverktøyet.** Hvis du ikke

- følger følgende anvisninger, kan det oppstå elektriske støt, ild og/eller store skader.
- b) **Dette elektriske verktøyet bør ikke brukes til polering.** Hvis verktøyet brukes til operasjoner som det ikke er konstruert for, kan det føre til farlige situasjoner og personskader.
 - c) **Ikke bruk tilbehør som ikke er spesielt beregnet og anbefalt av produsenten for dette elektroverktøyet.** Selv om du kan feste tilbehøret på elektroverktøyet ditt, garanterer dette ingen sikker bruk.
 - d) **Det godkjente turtallet til innsatsverktøyet må være minst like høyt som det maksimale turtallet som er angitt på elektroverktøyet.** Tilbehør som dreies hurtigere enn godkjent, kan ødelegges.
 - e) **Utvendig diameter og tykkelse på innsatsverktøyet må tilsvare målene for elektroverktøyet.** Gale innsatsverktøy kan ikke sikres eller kontrolleres tilstrekkelig.
 - f) **Innsatsverktøy med gjengeinnsats må passe nøyaktig på slipespindelens gjenger. Ved innsatsverktøy som monteres ved hjelp av en flens må hulldiametere til innsatsverktøyet passe til festediameteren til flensen.** Innsatsverktøy som ikke kan festes nøyaktig på elektroverktøyet, roterer uregelmessig, vibrerer svært sterkt og kan føre til at du mister kontrollen.
 - g) **Ikke bruk skadede innsatsverktøy. Sjekk før hver bruk om innsatsverktøy slik som slipeskiver er splintret eller revnet, om slipetallerkener er revnet eller svært slitt, om stålborster har løse eller har brukkede tråder. Hvis elektroverktøyet eller innsatsverktøyet faller ned, må du kontrollere om det er skadet eller bruk et ikke skadet innsatsverktøy. Når du har kontrollert og satt inn innsatsverktøyet, må du holde personer som oppholder seg i nærheten unna det roterende innsatsverktøyet og la elektroverktøyet gå i ett minutt med maksimalt turtall. Som regel brekker skadede innsatsverktøy i løpet av denne testdiven.**
 - h) **Bruk personlig beskyttelsesutstyr ④. Avhengig av typen bruk må du bruke visir, øyebeskyttelse eller vernebriller. Om nødvendig må du bruke støvmaske, hørselvern, vernehansker eller spesialforkle som holder små slipe- og materialpartikler unna kroppen din. Øynene bør beskyttes mot fremmedlegemer som kan fly rundt ved visse typer bruk. Støv- eller pusterenemasker må filtrere den typen støv som oppstår ved denne bruken. Hvis du er utsatt for sterk støv over lengre tid, kan du miste hørselen.**
 - i) **Pass på at andre personer holder tilstrekkelig avstand til arbeidsområdet ditt. Alle som går inn i arbeidsområdet må bruke personlig verneutstyr.** Brukne deler til verktøyet eller brukne innsatsverktøy kan slynges ut og derfor også forårsake skader utenfor det direkte arbeidsområdet.
 - j) **Ta kun tak i elektroverktøyet på de isolerte gripeflatene, hvis du utfører arbeid der innsatstilbehøret kan treffe på skjulte strømledninger eller den egne strømledningen.** Kontakt med en spenningsførende ledning kan også sette elektroverktøyet metalldele under spenning og føre til elektriske støt.
 - k) **Hold strømledningen unna roterende innsatsverktøy.** Hvis du mister kontrollen over elektroverktøyet kan strømledningen kappes eller komme inn i verktøyet, og hånden eller armen din kan komme inn i det roterende innsatsverktøyet.
 - l) **Legg aldri elektroverktøyet ned før innsatsverktøyet er stanset helt.** Det roterende innsatsverktøyet kan komme i kontakt med overflaten der maskinen legges ned, slik at du kan miste kontrollen over elektroverktøyet.
 - m) **La aldri elektroverktøyet være innkoblet mens du bærer det.** Tøyet ditt kan komme inn i det roterende innsatsverktøyet hvis det tilfeldigvis kommer i kontakt med verktøyet og innsatsverktøyet kan da bore seg inn i kroppen din.
 - n) **Rengjør ventilasjonsåpningene til elektroverktøyet med jevne mellomrom.** Motorviften trekker støv inn i huset, og en stor oppsamling av metallstøv kan medføre elektrisk fare.
 - o) **Ikke bruk elektroverktøyet i nærheten av brennbare materialer.** Gnister kan antenne disse materialene.
 - p) **Bruk ikke innsatsverktøy som krever flytende kjølemidler.** Bruk av vann eller andre flytende kjølemidler kan føre til elektriske støt.
- ## 2) TILBAKESLAG OG TILSVARENDE ADVARSLER
- Tilbakeslag er innsatsverktøets plutselige reaksjon etter at det har hengt seg opp eller blokkerer. Dette kan gjelde slipeskiven, slipetallerkenen, stålborsten osv.. Opphenging eller blokkering fører til at det roterende innsatsverktøyet stanser helt plutselig. Slik akselerer et ukontrollert elektroverktøy i motsatt retning av innsatsverktøets dreieretning på blokkeringsstedet.
 - Hvis f.eks. en slipeskive henger seg opp eller blokkerer i arbeidsstykket, kan kanten på slipeskiven som dykker inn i arbeidsstykket, henge seg opp og slik brekker slipeskiven eller forårsaker et tilbakeslag. Slipeskiven beveger seg da mot eller bort fra brukeren, avhengig av skivens dreieretning på blokkeringsstedet. Slipeskiver kan da også brenne.
 - Et tilbakeslag er resultat av en gal eller feilaktig bruk av elektroverktøyet. Det kan unngås ved å følge egnede sikkerhetstiltak som beskrevet nedenstående.
- a) **Hold elektroverktøyet godt fast og plasser kroppen og armene dine i en stilling som kan ta imot tilbakeslagskrefter. Bruk alltid ekstrahåndtaket – hvis dette finnes – for å ha størst mulig kontroll over tilbakeslagskrefter eller reaksjonsmomenter ved oppkjøring.** Brukeren kan beherske tilbakeslags- og reaksjonsmomenter med egnede tiltak.
 - b) **Hold aldri hånden i nærheten av det roterende innsatsverktøyet.** Innsatsverktøyet kan bevege seg over hånden din ved tilbakeslag.
 - c) **Unngå at kroppen din befinner seg i området der elektroverktøyet vil bevege seg ved et tilbakeslag.** Tilbakeslaget driver elektroverktøyet i motsatt retning av slipeskivens dreieretning på blokkeringsstedet.
 - d) **Vær spesielt forsiktig i hjørner, på skarpe kanter osv. Du må forhindre at innsatsverktøy avpelles fra arbeidsstykket eller klemmes fast.** Det roterende innsatsverktøyet har en tendens til å klemmes fast i hjørner, på skarpe kanter eller hvis det avpelles. Dette forårsaker kontrolltap eller tilbakeslag.

- e) **Bruk ikke kjedesagblad eller tannet sagblad.** Slike innsatsverktøy fører ofte til tilbakeslag eller til at man mister kontrollen over elektroverktøyet.
- 3) SIKKERHETSADVARSLER SPESIFIKKE FOR SLIPING OG SLIPING/KUTTING**
- a) **Bruk kun slipeskiver som er godkjent for dette elektroverktøyet og et vernedeksel som er konstruert for denne typen slipeskive.** Slipeskiver som ikke ble konstruert for dette elektroverktøyet, kan ikke beskyttes tilsvarende og er ikke sikre.
- b) **Slipeskiver med forsenket senter/nav må monteres slik at slipeflaten ikke rager ut over planet til vernedekselets kant.** En usakkyndig montert slipeskive som rager ut over vernedekselets kant, kan ikke skjermes tilstrekkelig.
- c) **Vernedekselet må monteres sikkert på elektroverktøyet og innstilles slik at det oppnås så stor sikkerhet som mulig, dvs. den minste delen på slipeskiven skal peke åpent mot brukeren.** Vernedekselet skal beskytte brukeren mot avbrukne deler, tilfeldig kontakt med slipeskiven og gnist som kan antenne klær.
- d) **Slipeskiver må kun brukes til anbefalt type bruk, f.eks.:** Ikke slip med sideflaten til en kappeskive. Kappeskiver er beregnet til materialfjerning med kanten på skiven. Innvirkning av krefter fra siden kan føre til at slipeskivene brykker.
- e) **Bruk alltid uskadede spennflenser i riktig størrelse og form for den slipeskiven du har valgt.** Egnede flenser støtter slipeskiven og reduserer slik faren for at slipeskiven brykker. Flenser for kappeskiver kan være annerledes enn flenser for andre slipeskiver.
- f) **Ikke bruk slitte slipeskiver fra større elektroverktøy.** Slipeskiver for større elektroverktøy er ikke beregnet til de høyere turtall på mindre elektroverktøy og kan brykke.
- 4) YTTERLIGERE SPESIELLE ADVARSLER FOR KAPPESLIPING**
- a) **Unngå blokkering av kappeskiven eller for sterkt presstrykk. Ikke utfør for dype snitt.** En overbelastning av kappeskiven øker slitasjen og tendensen til fastkiling eller blokkering og dermed også muligheten til tilbakeslag eller brudd på slipeskiven.
- b) **Unngå området foran og bak den roterende kappeskiven.** Hvis kappeskiven beveger seg bort fra deg i arbeidsstykket, kan elektroverktøyet med den roterende skiven ved tilbakeslag slynges direkte mot kroppen din.
- c) **Hvis kappeskiven blokkerer eller du avbryter arbeidet, slår du av elektroverktøyet og holder det rolig til skiven er stanset helt. Forsøk aldri å trekke den roterende kappeskiven ut av snittet, ellers kan det oppstå et tilbakeslag.** Finn og fjern årsaken til blokkeringen.
- d) **Ikke start elektroverktøyet igjen så lenge det befinner seg i arbeidsstykket. La kappeskiven oppnå det maksimale turtallet før du fortsetter forsiktig med snittet.** Ellers kan skiven henge seg opp, springe ut av arbeidsstykket eller forårsake tilbakeslag.
- e) **Støtt plater eller store arbeidsstykker for å redusere risikoen for tilbakeslag fra en fastklemt kappeskive.** Store arbeidsstykker kan bøyes av sin egen vekt.

Arbeidsstykket må støttes på begge sider, både nær kappesnittet og på kanten.

- f) **Vær spesielt forsiktig ved inndykingsnitt i vegger eller andre uoversiktelige områder.** Den inntrengende kappeskiven kan treffe på gass- eller vannledninger, elektriske ledninger eller gjenstander som kan forårsake tilbakeslag.
- 5) SPESIELLE ADVARSLER OM SANDPAPIRSLIPING**
- a) **Ikke bruk overdimensjonerte slipeskiver, følg produsentens informasjonen om slipepapirstørrelsen.** Slipeskiver som peker ut over slipetallerkenen kan forårsake skader og føre til at slipeskivene blokkerer eller revner eller til at det oppstår tilbakeslag.
- 6) SPESIELLE ADVARSLER FOR ARBEID MED STÅLBØRSTER**
- a) **Husk på at stålborsten mister stålbiten i løpet av vanlig bruk. Ikke overbelast ståldelene med for sterkt presstrykk.** Ståldeler som slynges bort kan lett trenge inn gjennom tynt tøy og/eller hud.
- b) **Hvis det anbefales å bruke et vernedeksel, må du forhindre at vernedekselet og stålborsten kan berøre hverandre.** Tallerken – og koppbørster kan få større diameter med presstrykk og sentrifugalkrefter.

GENERELL

- Dette verktøyet er ikke beregnet for vannsliping og -kapping
- Bruk kun flensene som følger med verktøyet
- Verktøyet må ikke brukes av personer under 16 år
- **Ta alltid ut kontakten før du forandrer innstillinger på sagen eller skifter tilbehør**

TILBEHØR

- SKIL kan kun garantere et feilfritt verktøy dersom original-tilbehør brukes
- **Bruk kun slipe-/kappeskiver med en maksimal tykkelse på 8 mm og et spindelhus med en diameter av 22 mm**
- For montering og bruk av ikke-originalt SKIL tilbehør, henvises det til brukerveiledning fra aktuell produsent
- Bruk aldri reduksjoner eller adaptere for å montere slipe-/kappeskiver med større hull diameter
- Bruk aldri tilbehør med et "blindt" gjenget sentrumshull mindre enn M14 x 21 mm

BRUK

- Verktøyet skal koples til via en feilstrømbryter som kopleter ut på 30 mA maksimum

FØR BRUK

- Før verktøyet tas i bruk første gangen, må brukeren innhente praktisk informasjon
- Sjekk alltid at tilført spenningen er den samme som oppgitt på verktøyet merkeplate (verktøy som er betegnet med 230V eller 240V kan også koples til et 220V strømuttak)
- Monter alltid sidehåndtaket E ② og sikkerhetsdekselet F ②; verktøyet må ikke brukes uten at disse delene er montert
- **Bruk egnede detektorer til å finne skjulte strøm-/gass-/vannledninger, eller spør hos det lokale el-/gass-/vannverket** (kontakt med elektriske ledninger kan medføre brann og elektrisk støt; skader på en gassledning kan føre til eksplosjon; inntrenging i en

vannledning forårsaker materielle skader og kan medføre elektriske støt

- **Ikke bearbeid asbestholdig material** (asbest kan fremkalle kreft)
- Støv fra materialer som blyholdig maling, visse tresorter, mineraler og metall kan være skadelig (kontakt med eller inhalering av støv kan gi allergiske reaksjoner og/eller sykdommer i åndedrettsorganene for brukeren eller personer i nærheten); **bruk støvmaske og arbeid med støvfjerningsutstyr når det er mulig**
- Visse typer støv er klassifisert som kreftfremkallende (som f.eks. støv fra eik og bøk), spesielt sammen med tilsetningsstoffer for trebehandling; **bruk støvmaske og arbeid med støvfjerningsutstyr når det er mulig**
- Følg de nasjonale krav, når det gjelder støv for de materialer du ønsker å arbeide med
- Vær forsiktig under skjæring av furer, spesielt i støttevegger (åpninger i støttevegger er underlagt lokale bestemmelser; nasjonale bestemmelser må følges til enhver tid)
- **Sett fast arbeidsstykket** (et arbeidsstykke som er sikret med klemmer, sitter sikrere enn om det holdes fast for hånd)
- Verktøyet må ikke spennes fast i en skrustikke
- Bruk helt utrullet og sikker skjøteledning med en kapasitet på 16 A

UNDER BRUK

- Hvis kabelen skades eller kappes under arbeid må kabelen ikke berøres, men støpselet straks trekkes ut
- Bruk ikke verktøyet dersom kabel er skadet; få den skiftet ud af en anerkendt fagmand
- I tilfelle en elektrisk eller mekanisk svikt, skal verktøyet med en gang slås av og støpset trekkes ut
- I tilfelle strømbrudd, eller hvis støpselet trekkes ut tilfeldig, lås opp Av/På-låsebryteren H ② med en gang for å unngå utilsikket starting igjen

ETTER BRUK

- Etter at verktøyet er slått av, prøv aldri å stoppe tilbehørets rotasjonen med bruk av sideveis kraft

BRUK

- Montering av tilbehør ②
 - ! **trekk ut støpset av stikkkontakten**
 - foreta rengjøring av spindel A og alle delene som skal monteres
 - skru fast klemflens B med skrunøkkel C samtidig som spindellås D skyves
- ! **spindellås D skal bare skyves når spindel A er stillestående**
- demontering av tilbehør skjer i motsatt rekkefølge
- ! **slipe-/kappeskiver blir ekstra varme under bruk; rør ikke skivene før de har avkjølt**
- ! **det må alltid monteres bakpute under bruk av tilbehør for sliping med sandpapir**
- ! **det må aldri brukes slipe-/kappeskiver som ikke har klebemerket (hvis det finnes)**
- Montering av sidehåndtak E ⑥
 - ! **trekk ut støpset av stikkkontakten**
 - skru sidehåndtaket E på høyre side, toppen eller på venstre side av verktøyet (avhengig av hvilket arbeid som skal utføres)

- Fjerning/montering/justering av sikkerhetsdeksel F ⑦

! **trekk ut støpset av stikkkontakten**
! **forsikre deg om at lukket side på sikkerhetsdekslet vender mot operatøren**

- Før bruk
 - vær sikker på at tilbehør er korrekt montert og festet skikkelig
 - sjekk om tilbehøret roterer fritt ved å snurre den ved hånd
 - test verktøyet i minimum 30 sekunder på høyeste hastighet i en sikker stilling uten å berøre arbeidsstykket
 - stopp øyeblikkelig dersom verktøyet vibrerer unormalt mye eller andre problemer oppstår, og sjekk verktøyet nøye
- Av/på låsebryter H ⑧
 - slå på verktøyet ⑧a
 - ! **et plutselig rykk er vanlig når verktøyet starter**
 - ! **før tilbehøret kommer i kontakt med arbeidsstykket, må verktøyet ha nådd max. hastighet**
 - lås bryteren ⑧b
 - frigjør bryteren/slå av verktøyet ⑧c
 - ! **før verktøyet slås av, løft det bort fra arbeidsstykket**
 - ! **skiven fortsetter å rotere i en kort periode etter at verktøyet er slått av**
- Sliping ⑨
 - beveg verktøyet frem og tilbake med moderat trykk
 - ! **bruk aldri en kappeskive for sideveis sliping**
- Kapping ⑩
 - verktøyet må ikke holdes i skråstilling under kappe-operasjonen
 - verktøyet må alltid bevegtes i samme retning som pilen på verktøyhodet for å unngå at verktøyet skyves ut av sporet ukontrollert
 - legg ikke press på verktøyet; la hastigheten på kappeskiven gjøre arbeidet
 - arbeidshastigheten på kappeskiven avhenger av materialet som skal kappes
 - kappeskivene vil gå i stykker dersom de utsettes for sideveis press
- Grep og styring av verktøyet
 - hold verktøyet godt fast med begge hender slik at du alltid har full kontroll over verktøyet
 - ! **under arbeid, hold verktøyet alltid i grått(gråe) grepsområde(r) ⑪**
 - sørg for at verktøyet holdes stødig
 - vær oppmerksom på rotasjonsretningen; verktøyet skal alltid holdes slik at gnister og støv under sliping og kapping flyr bort fra operatøren
 - hold ventilasjonsåpningen J ⑫ utildekket

BRUKER TIPS

- I stedet for flens B ② kan det du bruke "CLIC" hurtigfastspenningsflens (SKIL tilbehør 2610388766); med dette tilbehøret kan slipe-/kappeskiver monteres uten nøkler
- Se flere tips på www.skil.com

VEDLIKEHOLD / SERVICE

- Dette verktøyet er ikke beregnet på profesjonell bruk
- Hold alltid verktøyet og kabelen ren (spesielt ventilasjonshullene J ②)
! ikke forsøk å rengjøre ved å stikke spisse gjenstander gjennom ventilasjonshullen
! dra ut støpselet før rengjøring
- Hvis elektroverktøyet til tross for omhyggelige produksjons- og kontrollmetoder en gang skulle svikte, må reparasjonen utføres av et autorisert serviceverksted for SKIL-elektroverktøy
 - send verktøyet i **montert** tilstand sammen med kjøpebevis til forhandleren eller nærmeste SKIL servicesenter (adresser liksom service diagram av verktøyet finner du på www.skil.com)

MILJØ

- **Kast aldri elektroverktøy, tilbehør og emballasje i husholdningsavfallet** (kun for EU-land)
 - i henhold til EU-direktiv 2002/96/EF om kasserte elektriske og elektroniske produkter og direktivets iverksetting i nasjonal rett, må elektroverktøy som ikke lenger skal brukes, samles separat og returneres til et miljøvennlig gjenvinningsanlegg
 - symbolet ⑫ er påtrykt som en påminnelse når utskifting er nødvendig

SAMSVARERKLÆRING C E

- Vi erklærer som eneansvarlig at produktet som beskrives under "Tekniske data" stemmer overens med følgende normer eller normative dokumenter: EN 60745, EN 61000, EN 55014, jf. bestemmelsene i direktivene 2004/108/EF, 2006/42/EF, 2011/65/EU
- **Tekniske underlag hos:** SKIL Europe BV (PT-SEU/ENG1), 4825 BD Breda, NL

Marijn van der Hoofden
Operations & Engineering

Olaf Dijkgraaf
Approval Manager

SKIL Europe BV, 4825 BD Breda, NL

05.08.2013

STØY/VIBRASJON

- Målt ifølge EN 60745 er lydtryknivået av dette verktøyet 90 dB(A) og lydstyrkenivået 101 dB(A) (standard deviasjon: 3 dB), og vibrasjonsnivået * m/s² (hånd-arm metode; usikkerhet K = 1,5 m/s²)
 - * ved sliping flater 8,1 m/s²
 - * ved pussing 6,2 m/s²**! ved andre applikasjoner (som kapping og børsting) kan vibrasjonsverdiene variere**
- Det angitte vibrasjonsnivået er blitt målt i samsvar med en standardisert test som er angitt i EN 60745; den kan brukes til å sammenligne et verktøy med et annet, og som et foreløpig overslag over eksponering for vibrasjoner ved bruk av verktøyet til de oppgavene som er nevnt

- bruk av verktøyet til andre oppgaver, eller med annet eller mangelfullt vedlikeholdt utstyr, kan gi en vesentlig **økning** av eksponeringsnivået
- tidsrommene når verktøyet er avslått eller når det går men ikke arbeider, kan gi en vesentlig **reduksjon** av eksponeringsnivået
- ! beskytt deg selv mot virkningene av vibrasjoner ved å vedlikeholde verktøyet og utstyret, holde hendene varme og organisere arbeidsmåten din**

FIN

Kulmahiomakone

9176

ESITTELY

- Koneet on tarkoitettu käytettäväksi metallin ja kivimateriaalien hiomista, leikkaamista ja purseenpoistamista varten ilman veden käyttämistä; asianmukaisten varusteiden kanssa työkalua voidaan käyttää myös harjaamista ja hiekkapaperihiontaa varten
- Tämä työkalua ei ole tarkoitettu ammattikäyttöön
- **Liitetyillä katkaisulaikoilla leikkaaminen on sallittu ainoastaan käytettäessä katkaisusuojaa (saatavissa SKIL-lisävarusteena 2610399439)**
- Lue ja säilytä tämä ohjekirja ③

TEKNISET TIEDOT ①

LAITTEEN OSAT ②

- A Kara
- B Kiristyslaippa
- C Ruuviavain
- D Karanlukituspainike
- E Apukahva
- F Suojus
- G Kiinnityslaippa
- H On/off lukituskytkin
- J Ilmanvaihto-aukot

TURVALLISUUS

YLEISET TURVALLISUUSOHJEET

⚠ HUOMIO! Lue kaikki turvallisuus- ja muut ohjeet. Turvallisuusohjeiden noudattamisen laiminlyönti saattaa johtaa sähköiskuun, tulipaloon ja/tai vakavaan loukkaantumiseen. **Säilytä kaikki turvallisuus- ja muut ohjeet tulevaisuutta varten.** Turvallisuusohjeissa käytetty käsite "sähkötyökalu" käsittää verkkokäyttöisiä sähkötyökaluja (verkkajohdolla) ja akkukäyttöisiä sähkötyökaluja (ilman verkkojohtoa).

1) TYÖPAIKAN TURVALLISUUS

- a) **Pidä työskentelyalue puhtaana ja hyvin valaistuna.** Työpaikan epäjärjestys tai valaisemattomat työalueet voivat johtaa tapaturmiin.
- b) **Älä työskentele sähkötyökalulla räjähdyssäilyssä ympäristössä, jossa on palavaa nestettä, kaasua tai pölyä.** Sähkötyökalu muodostaa kipinöitä, jotka saattavat sytyttää pölyn tai höyryt.

- c) **Pidä lapset ja sivulliset loitolla sähkötyökalua käyttäessäsi.** Voit menettää laitteesi hallinnan, huomiosi suuntautuessa muualle.

2) SÄHKÖTURVALLISUUS

- a) **Sähkötyökalun pistotulpan tulee sopia pistorasiaan. Pistotulppaa ei saa muuttaa millään tavalla. Älä käytä mitään pistorasia-adaptoreita maadoitettujen sähkötyökalujen kanssa.** Alkuperäisessä kunnossa olevat pistotulpat ja sopivat pistorasiat vähentävät sähköiskun vaaraa.
- b) **Vältä koskettamasta maadoitettuja pintoja, kuten putkia, pattereita, liesiä tai jääkaappeja.** Sähköiskun vaara kasvaa, jos kehosi on maadoitettu.
- c) **Älä aseta sähkötyökalua alttiiksi sateelle tai kosteudelle.** Veden tunkeutuminen sähkötyökalun sisään kasvattaa sähköiskun riskiä.
- d) **Älä käytä verkkojohtoa väärin. Älä käytä sitä sähkötyökalun kantamiseen, vetämiseen tai pistotulpan irrottamiseen pistorasiasta. Pidä johto loitolla kuumuudesta, öljystä, terävistä reunoista ja liikkuvista osista.** Vahingoittuneet tai sokeutuneet johdot kasvattavat sähköiskun vaaraa.
- e) **Käyttäessäsi sähkötyökalua ulkona, käytä ainoastaan ulkokäyttöön soveltuvaa jatkojohtoa.** Ulkokäyttöön soveltuva jatkojohdon käyttö pienentää sähköiskun vaaraa.
- f) **Jos sähkötyökalun käyttö kosteassa ympäristössä ei ole vältettävissä, tulee käyttää maavuotokatkaisijaa.** Maavuotokatkaisijan käyttö vähentää sähköiskun vaaraa.

3) HENKILÖTURVALLISUUS

- a) **Ole valpas, kiinnitä huomiota työskentelyysi ja noudata tervettä järkeä sähkötyökalua käyttäessäsi. Älä käytä sähkötyökalua, jos olet väsynyt tai huumeiden, alkoholin tahi lääkkeiden vaikutuksen alaisena.** Hetken tarkkaamattomuus sähkötyökalua käytettäessä, saattaa johtaa vakavaan loukkaantumiseen.
- b) **Käytä suojavarusteita. Käytä aina suojalaseja.** Henkilökohtaisen suojavarustuksen käyttö, kuten pölynaamarin, luistamattomien turvakengien, suojakypärän tai kuulonsuojaimien, riippuen sähkötyökalun lajista ja käyttötavasta, vähentää loukkaantumiskärsiä.
- c) **Vältä tahatonta käynnistämistä. Varmista, että sähkötyökalu on poiskytkettynä, ennen kuin liität sen sähköverkkoon ja/tai liität akun, otat sen käteen tai kannat sitä.** Jos kannat sähkötyökalua sormi käynnistyskytkimellä tai kytket sähkötyökalun pistotulpan pistorasiaan, käynnistyskytkimen ollessa käyntiasennossa, altistat itsesi onnettomuuksille.
- d) **Poista kaikki säätötyökalut ja ruuvitaltat, ennen kuin käynnistät sähkötyökalun.** Työkalu tai avain, joka sijaitsee laitteen pyörittävässä osassa, saattaa johtaa loukkaantumiseen.
- e) **Älä yliarvioidi itseäsi. Huolehdi aina tukevasta seisoma-asennosta ja tasapainosta.** Täten voit paremmin hallita sähkötyökalua odottamattomissa tilanteissa.
- f) **Käytä tarkoitukseen soveltuvia vaatteita. Älä käytä löysiä työvaatteita tai koruja. Pidä hiukset, vaatteet**

ja käsi neet loitolla liikkuvista osista. Väljät vaatteet, korut ja pitkät hiukset voivat takertua liikkuviin osiin.

- g) **Jos pölynimu- ja keräilylaitteita voidaan asentaa, säleköilyneet, että ne on liitetty ja että ne käytetään oikealla tavalla.** Pölynimulaitteiston käyttö vähentää pölyn aiheuttamia vaaroja.

4) SÄHKÖTYÖKALUJEN KÄYTTÖ JA HOITO

- a) **Älä ylikuormita laitetta. Käytä juseiseen työhön tarkoitettua sähkötyökalua.** Sopivaa sähkötyökalua käyttäen työskentelet paremmin ja varmemmin tehoalueella, jolle sähkötyökalu on tarkoitettu.
- b) **Älä käytä sähkötyökalua, jota ei voida käynnistää ja pysäyttää käynnistyskytkimestä.** Sähkötyökalu, jota ei enää voida käynnistää ja pysäyttää käynnistyskytkimellä, on vaarallinen ja se täytyy korjata.
- c) **Irrota pistotulppa pistorasiasta, ennen kuin suoritat säätöjä, vaihdat tarvikkeita tai siirrä sähkötyökalun varastoitavaksi.** Nämä turvatoimenpiteet pienentävät sähkötyökalun tahattoman käynnistysriskin.
- d) **Säilytä sähkötyökalut poissa lasten ulottuvilta, kun niitä ei käytetä. Älä anna sellaisten henkilöiden käyttää sähkötyökalua, jotka eivät tunne sitä tai jotka eivät ole lukeneet tätä käyttöohjetta.** Sähkötyökalut ovat vaarallisia, jos niitä käyttävät kokemattomat henkilöt.
- e) **Hoida sähkötyökalusi huolella. Tarkista, että liikkuvat osat toimivat moitteettomasti, eivätkä ole puristuksessa sekä, että siinä ei ole murtuneita tai vahingoittuneita osia, jotka saattaisivat vaikuttaa haitallisesti sähkötyökalun toimintaan. Anna korjauttaa mahdolliset viat ennen käyttöönottoa.** Monen tapaturman syyt löytyvät huonosti huolletuista laitteista.
- f) **Pidä leikkausterät terävinä ja puhtaina.** Huolellisesti hoidetut leikkaustyökalut, joiden leikkausreunat ovat teräviä, eivät tartu helposti kiinni ja niitä on helpompi hallita.
- g) **Käytä sähkötyökaluja, tarvikkeita, vaihtotyökaluja jne. näiden ohjeiden mukaisesti. Ota tällöin huomioon työolosuhteet ja suoritettava toimenpide.** Sähkötyökalun käyttö muuhun kuin sille määrättyyn käyttöön, saattaa johtaa vaarallisiin tilanteisiin.

5) HUOLTO

- a) **Anna koulutettujen ammattihenkilöiden korjata sähkötyökalusi ja hyväksy korjauksiin vain alkuperäisiä varaosia.** Täten varmistat, että sähkötyökalu säilyy turvallisena.

KULMAHIOMAKONEIDEN TURVALLISUUSOHJEET

1) TURVALLISUUSOHJEET ERI KÄYTTÖTARKOITUKSILLE

- a) **Tätä sähkötyökalua tulee käyttää hiomakoneena, hiekkapaperihiomakoneena, teräsharja-, ja katkaisuhiomakoneena. Ota huomioon kaikki varo-ohjeet, ohjeet, piirustukset ja tiedot, joita saat sähkötyökalun kanssa.** Ellet noudata seuraavia ohjeita, saattaa se johtaa sähköiskuun, tulipalloon ja/tai vaikeisiin loukkaantumisiin.
- b) **Tätä sähkötyökalua ei suositella kiillotukseen.** Käyttötavat, joihin sähkötyökalua ei ole suunniteltu, voivat aiheuttaa vaarallista tilannetta ja johtaa loukkaantumiseen.

- c) **Älä käytä mitään lisälaitteita, joita ei valmistaja ole tarkoittanut tai suositellut nimenomaan tälle sähkötyökalulle.** Vain se, että pystyt kiinnittämään lisätarvikkeen sähkötyökaluusi ei takaa sen turvallista käyttöä.
- d) **Vaihtotyökalun sallitun kierrosluvun tulee olla vähintään yhtä suuri kuin sähkötyökalussa mainittu suurin kierrosluku.** Lisätarvike, joka pyörii sallittua suuremmalla nopeudella, saattaa tuhoutua.
- e) **Vaihtotyökalun ulkohalkaisijan ja paksuuden tulee vastata sähkötyökalun mittatietoja.** Väärin mitoitettuja vaihtotyökaluja ei voida suojata tai hallita riittävästi.
- f) **Hiomalaikkojen ja laippojen tulee sopia tarkasti sähkötyökalusi hiomakaraan.** Käytettäessä vaihtotyökaluja, jotka liitetään laippaan, tulee vaihtotyökalun reiän halkaisijan sopia laipan kiinnityshalkaisijaan. Vaihtotyökalut, joita ei kiinnitetä oikein sähkötyökaluun, pyörivät epätasaisesti, tärisevät voimakkaasti ja saattavat johtaa hallinnan menettämiseen.
- g) **Älä käytä vaurioituneita vaihtotyökaluja.** Tarkista ennen jokaista käyttöä, ettei vaihtotyökalussa, kuten hiomalaikoissa ole pirstoutumia tai halkemia, hiomalautasessa halkeamia tai voimakasta kulumista, teräsharjassa irtonaisia tai katkenneita lankoja. Jos sähkötyökalu tai vaihtotyökalu putoaa, tulee tarkistaa, että se on kunnossa tai sitten käyttää ehjää vaihtotyökalua. Kun olet tarkistanut ja asentanut vaihtotyökalun, pidä itsesi ja lähistöllä olevat henkilöt poissa pyörivän vaihtotyökalun tasosta ja aina sähkötyökalun käydä minuutti täydellä kierrosluvulla. Vaurioituneet vaihtotyökalut menevät yleensä rikki tässä ajassa.
- h) **Käytä henkilökohtaisia suojavarusteita ④.** Käytä käytöstä riippuen kokokasvonaamiota, silmäsuojasta tai suojalaseja. Jos mahdollista, käytä pölynaamaria, kuulonsuojainta, suojakäsineitä tai erikoissuojavaatetta, joka suojaa sinut pieniltä hioma- ja materiaalihiukkasilta. Silmät tulee suojata lenteleviltä vierailta esineiltä, jotka saattavat syntyä eri käytössä. Pöly- tai hengityssuojanaamareiden täytyy suodattaa pois työstössä syntyvä pöly. Jos olet pitkään alltiina voimakkaalle melulle, saattaa se vaikuttaa heikentävästi kuuloon.
- i) **Varmista, että muut henkilöt pysyvät turvallisella etäisyydellä työalueelta.** Jokaisella, joka tulee työalueelle, tulee olla henkilökohtaiset suojavarusteet. Työkappaleen tai murtuneen vaihtotyökalun osia saattavat sinkoutua kauemmas ja vahingoittaa ihmisiä myös varsinaisen työalueen ulkopuolella.
- j) **Tartu sähkötyökaluun ainoastaan eristetyistä pinoista, tehdessäsi työtä, jossa vaihtotyökalu saattaisi osua piilossa olevaan sähköjohtoon tai sähkötyökalun omaan sähköjohtoon.** Kosketus jännitteeseen johtoon voi saattaa sähkötyökalun metalliosat jännitteisiksi ja johtaa sähköiskuun.
- k) **Pidä sähköjohto poissa pyörivistä vaihtotyökaluista.** Jos menetät sähkötyökalun hallinnan, saattaa verkkojohto tulla katkaistuksi tai tarttua kiinni ja vetää kätesi tai käsivartesi kiinni pyörivään vaihtotyökaluun.

- l) **Älä aseta sähkötyökalua pois, ennen kuin vaihtotyökalu on pysähtynyt kokonaan.** Pyörivä vaihtotyökalu saattaa koskettaa leppopintaa ja voit menettää sähkötyökalusi hallinnan.
- m) **Älä koskaan pidä sähkötyökalua käynnissä sitä kantaessasi.** Vaatteesi voi hetkellisen kosketuksen seurauksena tarttua kiinni pyörivään vaihtotyökaluun, joka saattaa porautua kehoosi.
- n) **Puhdista sähkötyökalusi tuuletusaukkoja säännöllisesti.** Moottorin tuuletin imee pölyä työkalun koteloon, ja voimakas metallipölyn kasautuma voi synnyttää sähköisiä vaaratilanteita.
- o) **Älä käytä sähkötyökalua palavien aineiden lähellä.** Kipinät voivat sytyttää näitä aineita.
- p) **Älä käytä vaihtotyökaluja, jotka tarvitsevat nestemäistä jäähdytysainetta.** Veden tai muiden nestemäisten jäähdytysaineiden käyttö saattaa johtaa sähköiskuun.
- 2) TAKAISKU JA VASTAAVAT VARO-OHJEET**
- Takaisku on äkillinen reaktio, joka syntyy pyörivän vaihtotyökalun, kuten hiomalaikan, hiomalautasen tai teräsharjan tarttuessa kiinni tai jäädessä puristukseen. Tarttuminen tai puristukseen joutuminen johtaa pyörivän vaihtotyökalun äkilliseen pysähtymiseen. Tällöin hallittomasti sähkötyökalu sinkoutuu tarttumakohdasta vaihtotyökalun kiertosuunnasta vastakkaiseen suuntaan.
 - Jos esim. hiomalaikka tarttuu tai joutuu puristukseen työkappaleeseen, saattaa hiomalaikan reuna, joka on uponnut työkappaleeseen, juuttua kiinni aiheuttaen hiomalaikan ponnahduksen ulos työkappaleesta tai aiheuttaa takaiskun. Hiomalaikka liikkuu silloin käyttävää henkilöä vasten tai poispäin hänestä, riippuen laikan kiertosuunnasta tarttumakohdassa. Tällöin hiomalaikka voi myös murtua.
 - Takaisku johtuu sähkötyökalun väärinkäytöstä tai käytöstä väärään tarkoitukseen. Se voidaan estää sopivien varotoimien, joita selostetaan seuraavassa.
- a) **Pitele sähkötyökalua tukevasti ja saata kehosi ja käsivartesi asentoon, jossa pystyt vastaanamaan takaiskuvoimiin.** Käytä aina lisäkahvaa, jos sinulla on sellainen, jotta pystyisit parhaalla mahdollisella tavalla hallitsemaan takaiskuvoimia tai vastamomentteja työkalun ryntökäynnissä. Käyttävä henkilö pystyy hallitsemaan takaisku ja vastamomenttivoimat noudattamalla sopivia suojatoimenpiteitä.
- b) **Älä koskaan tuo kättäsi lähelle pyörivää vaihtotyökalua.** Vaihtotyökalu saattaa takaiskun sattuessa liikkua kätesi yli.
- c) **Vältä pitämästä kehoasi alueella, johon sähkötyökalu liikkuu takaiskun sattuessa.** Takaisku pakottaa sähkötyökalun vastakkaiseen suuntaan hiomalaikan liikkeeseen nähden tarttumiskohdassa.
- d) **Työskentele erityisen varovasti kulmien, terävien reunojen jne. alueella, estä vaihtotyökalua ponnahtamasta takaisin työkappaleesta ja juuttumasta kiinni.** Pyörivällä vaihtotyökalulla on taipumus juuttua kiinni kulmissa, terävissä reunoissa tai saadessaan kimmokkeen. Tämä johtaa hallinnan pettämiseen tai takaiskuun.

- e) **Älä käytä ketjuteriä tai hammastettuja sahanteriä.** Tällaiset vaihtotyökalut aiheuttavat usein takaiskun tai sähkötyökalun hallinnan menettämisen.
- 3) ERITYISESTI HIONTAA JA HIOVIA KATKAISUTOIMINTOJA JOSKEVIA VAROITUKSIA**
- a) **Käytä yksinomaan sähkötyökalullesi sallittuja hiomatyökaluja ja näitä hiomatyökaluja varten tarkoitettuja suojuksia.** Hiomatyökaluja, jotka eivät ole tarkoitettuja sähkötyökalun kanssa käytettäviksi, ei voida suojata riittävästi ja ne ovat turvattomia.
- b) **Taivutetut laikat on asennettava niin, että niiden hiomapinta ei ulotu laikkasuojuksen tason ulkopuolelle.** Asiaankuulumattomasti asennettua hiomalaikkaa, joka ulottuu laikkasuojuksen tason ulkopuolelle ei voida suojata riittävästi.
- c) **Suojuksen täytyy olla tukevasti kiinni sähkötyökalussa ja niin asennettu, että suurin mahdollinen turvallisuus saavutetaan.** Hiomatyökalun tulee siis olla mahdollisimman vähän avoin käyttäjää kohti. Suojuksen tulee suojata käyttävää henkilöä murtokappaleilta, tahattomalta hiomatyökalun koskettamiselta ja kipinöiltä, jotka voisivat sytyttää vaatteita palamaan.
- d) **Hiomatyökaluja saa käyttää ainoastaan siihen käyttöön mihin niitä suositellaan** esim.: Älä koskaan hio hiomalaikan sivupintaa käyttäen. Hiomalaikat on tarkoitettu hiontaan laikan ulkokehällä. Sivuttain kohdistuva voima saattaa murtaa hiomalaikan.
- e) **Käytä aina vierheetöntä, oikean kokoista ja muotoista kiinnityslaippaa valitsemallesi hiomalaikalle.** Sopivat laipat tukevat hiomalaikkaa ja vähentävät näin hiomalaikan murtumisriskiä. Katkaisulaikkojen laipat saattavat poiketa muitten hiomalaikkojen laipoista.
- f) **Älä käytä isompiin sähkötyökaluihin kuuluneita, kuluneita hiomalaikkoja.** Suurempien sähkötyökalujen hiomalaikat eivät sovellu pienempien sähkötyökalujen suuremmille kierrosluvuille, ja ne voivat murtaa.
- 4) MUITA KATKAISUHIONTAAN LIITTYVIÄ ERITYISVARO-OHJEITA**
- a) **Vältä katkaisulaikan juuttumista kiinni ja liian suurta syöttöpainetta. Älä tee liian syviä leikkauksia.** Katkaisulaikan ylikuormitus kasvattaa sen rasitusta ja sen alttiutta kallistua tai juuttua kiinni ja siten takaiskun ja laikan murtumisen mahdollisuutta.
- b) **Vältä aluetta pyörivän katkaisulaikan edessä ja takana.** Jos katkaisulaikka liikkuu työkalupaleessa sinusta pois päin, saattaa sähkötyökalu takaiskun sattuessa singota suoraan sinua kohti laikan pyöriessä.
- c) **Jos katkaisulaikka joutuu puristukseen tai keskeytät työn, tulee sinun pysäyttää sähkötyökalu ja pitää se rauhallisesti paikoillaan, kunnes laikka on pysähtynyt. Älä koskaan koeta poistaa vielä pyörivää katkaisulaikkaa leikkauksesta, se saattaa aiheuttaa takaiskun.** Määrittele ja poista puristukseen joutumisen syy.
- d) **Älä käynnistä sähkötyökalua uudelleen, jos laikka on kiinni työkalupaleessa. Anna katkaisulaikan ensin saavuttaa täysi kierroslukunsa, ennen kuin varovasta jatkat leikkausta.** Muussa tapauksessa saattaa laikka tarttua kiinni, ponnahtaa ulos työkalupaleesta tai aiheuttaa takaiskun.
- e) **Tue liitteä tai isot työkalupaleet, katkaisulaikan puristuksen aiheuttaman takaiskuvaaran**

- minimoimiseksi.** Suuret työkalupaleet voivat taipua oman painonsa takia. Työkalupaleetta tulee tukea molemmilta puolilta, sekä katkaisuleikkauksen vierestä, että reunoista.
- f) **Ole erityisen varovainen upotusleikkauksissa seinini tai muihin alueisiin, joiden taustaa tai rakennetta et pysty näkemään.** Upoava katkaisulaikka saattaa aiheuttaa takaiskun osuessaan kaasu- tai vesiputkiin, sähköjohtoihin tai muihin kohteisiin.
- 5) ERITYISET VARO-OHJEET HIEKKAPAPERIHIONTAAN**
- a) **Älä käytä ylisuuria hiomapyöröjä, vaan noudata valmistajan ohjeita hiomapyöröjen koosta.** Hiomapyöröt jotka ulottuvat hiomalautasen ulkopuolelle, saattavat aiheuttaa loukkaantumista tai johtaa kiinnijuuuttumiseen, hiomapyörön repeytymiseen tai takaiskuun.
- 6) ERITYISET VARO-OHJEET TYÖSKENTELYYN TERÄSHARJAN KANSSA**
- a) **Ota huomioon, että teräsharjasta irtoaa lankoja myös normaalikäytössä. Älä ylikuormita lankoja käyttämällä liian suurta painetta työkalupaleella vasten.** Irta sinkoutuvat langan kappaleet voivat helposti tunkeutua ohuen vaatteen tai ihon läpi.
- b) **Jos suojusta suositellaan, tulee sinun varmistaa, ettei suojusta ja teräsharja voi koskettaa toisiaan.** Lautas- ja kuppiharjojen halkaisijat voivat laajeta puristusvoimien ja keskipakovoiman johdosta.

YLEISTÄ

- Tämä kone ei ole tarkoitettu vesihiontaan/jyrsintään
- Käytä vain tämä työkalun yhteydessä toimitettuja laippoja
- Tätä työkalua saavat käyttää vain 16 vuotta täyttäneet henkilöt
- **Irrota aina pistotulppa pistorasiasta, ennen kuin suoritat laitteelle mitään säätöjä tai vaihdat tarviketta**

VARUSTEET

- SKIL pystyy takaamaan työkalun moitteettoman toiminnan vain, kun käytetään alkuperäisiä tarvikkeit
- **Käytä ainoastaan hionta/jyrsintälevyjä, joiden maksimipaksuus on 8 mm ja karan reiän läpimitta 22 mm**
- Muita kuin SKIL-varusteita kiinnitettäessä/käytettäessä noudata kyseisen valmistajan antamia ohjeita
- Älä koskaan käytä kavennuskappaleita tai muuntimia suureikäisiin hionta/ jyrsintälevyihin soittamiseksi
- Älä koskaan käytä varusteita, joiden "sokea" kierteitysreikä on pienempi kuin M14 x 21 mm

KÄYTTÖ ULKOTILASSA

- Liitä työkalu vikavirran (FI) piirikatkaisimen kautta läipäisvirtaan, jonka maksimi on 30 mA

ENNEN KÄYTTÖÄ

- Ennen työkalun käyttöä ensimmäistä kertaa on suositeltavaa tutustua käytännön toimia koskevaan informaatioon
- Tarkista aina, että syöttöjännite on sama kuin työkalun nimiltaan osoittama jännite (työkalut, joiden jännitetaso on 230V tai 240V, voidaan kytkeä myös 220V tason jännitteeseen)
- Kiinnitä aina apukahva E ② ja suojusta F ②; älä koskaan käytä työkalua ilman näitä

- **Käytä sopivia etsintälaitteita pilossa olevien syöttöjohtojen paikallistamiseksi, tai käänny paikallisen jakeluyltiön puoleen** (kosketus sähköjohtoon saattaa johtaa tulipaloon ja sähköiskuun; kaasuputken vahingoittaminen saattaa johtaa räjähdykseen; vesijohtoon tunkeutuminen aiheuttaa aineellista vahinkoa tai saattaa johtaa sähköiskuun)
- **Älä koskaan työstä asbestipitoista ainetta** (asbestia pidetään karsinogeenisena)
- Materiaaleista, kuten lyijypitoinen maali, jotkut puulajit, mineraalit ja metalli, tuleva pöly voi olla vahingollista (kosketuksiin joutuminen pölyn kanssa tai sen sisään hengittäminen voi aiheuttaa käyttäjälle tai sivustakatsojille allergiareaktioita ja/tai hengitysvaivoja); **käytä pölynaamaria ja työskentele pölynpoistolaitteen kanssa, kun sellainen on liitettävissä**
- Tietänyttyypiset pölyt on luokiteltu karsinogeenisiksi (kuten tammi- ja pyökkipöly) erityisesti puun käsittelyyn käytettävien lisäaineiden yhteydessä; **käytä pölynaamaria ja työskentele pölynpoistolaitteen kanssa, kun sellainen on liitettävissä**
- Noudata maakohtaisia pölyyn liittyviä sääntöjä
- Noudata varovaisuutta tunneleita, varsinkin tukiseinämiä, jyrjittäessä (tukiseinämissä olevat lovet ovat kyseisen maan erityisasetusten alaisia; näitä asetuksia on noudatettava kaikissa olosuhteissa)
- **Kiinnitä työstettävä kappale** (kiinnittimeen tai puristimeen kiinnitetty työstettävä kappale pysyy tukevammin paikoillaan kuin käsin pidettäessä)
- Älä aseta työkalua ruuvipuristimeen
- Käytä täysin rullaamattomia ja turvallisia jatkejohtoja, joiden kapasiteetti on 16 ampeeria

KÄYTÖN AIKANA

- Jos sähköjohto vahingoittuu tai katkeaa työn aikana ei johtoa saa koskettaa, vaan pistotulppa on välittömästi irrotettava pistorasiasta
- Älä käytä työkalua, kun johto on vioittunut; vaan toimita se valtuutettuun huoltoliikkeeseen
- Jos huomaat sähköisen tai mekaanisen vian, sammuta kone heti ja irroita liitosjohto pistorasiasta
- Virtakatkon aiheutuessa tai jos kosketin vedetään vahingossa irti pistorasiasta, vapauta kytkin H ② välittömästi kontrolloimattoman uudelleenkäynnistyksen estämiseksi

KÄYTÖN JÄLKEEN

- Työkalu iritykettyäsi älä koskaan pysäytä varusteen pyörintää siihen kohdistetulla poikittaisella voimalla

KÄYTTÖ

- Tarvikkeita kiinnittäminen ②
- ! **vedä pistoke pistorasiasta**
- puhdista kara A ja kaikki kiinnitettävät osat
- tiukenna kiristyslaippa B ruuvitalalla C ja paina samanaikaisesti karan lukituspainiketta D
- ! **paina karan lukituspainiketta D vain, kun kara A on pysäytettyinä**
- tarvikkeita poistettaessa tee se päinvastoin
- ! **hionta/jyrsintälevyt tulevat hyvin kuumiksi käytön aikana; älä kosketa niitä ennen kuin ne ovat viilentyneet**
- ! **muista aina kiinnittää kiinnityksen taustasovitin hiontavarusteita käytettäessä**

- ! **älä koskaan käytä hionta/jyrsintälevyä ilman siihen liimattua tarraa (jos sinulla on sellainen)**
- Apukahvan E kiinnittäminen ⑥
- ! **vedä pistoke pistorasiasta**
- ruuvaa apukahva E työkalun oikealle tai vasemmalle puolelle tai yläpuolelle (riippuen suoritettavasti tehtävästä)
- Suojuksen F poistaminen/kiinnittäminen/säättöminen ⑦
- ! **vedä pistoke pistorasiasta**
- ! **varmista, että suojuksen suljettu puoli on aina osoittamassa käyttäjää kohti**
- Ennen työkalun käyttöä
- varmista, että tarvikkeet on asetettu paikoilleen oikein ja kiinnitetty tiukasti
- tarkista, että tarvikkeet pääsee vapaasti liikkumaan, kääntämällä sitä käsin
- koekäytä työkalua antamalla sen käydä vähintään 30 sekuntia maksiminopeudella kuormittamattomana
- jos ilmenee voimakasta värinää tai muita vikoja, työkalu on heti kytkettävä pois päältä ja vian syy selvitettävä
- On/off lukituskytkin H ⑧
- käynnistä koneesi ⑧a
- ! **varo käynnistyksen aiheuttamaa äkillistä nykäisyä**
- ! **koneen tulee pyöriä täydellä nopeudella ennen kuin tarvikkeet koskettavat työkalupaletta**
- lukitse kytkin ⑧b
- vapauta kytkin/sammuta koneesi ⑧c
- ! **ennen koneen sammuttamista se tulee nostaa irti työkalupaleesta**
- ! **kun työkalu on kytketty pois päältä, tarvitkeiden liike jatkuu vielä muutamia sekunteja**
- Hionta ⑨
- liikuta työkalua edestakaisin kohtuullisen paineen alaisena
- ! **älä koskaan käytä jyrsintälevyä sivun hiontaan**
- Jyrsintä ⑩
- älä kallista työkalua jyrsittäessä
- liikuta työkalua aina samaan suuntaan työkalun pään nuolen mukaisesti niin että estetään työkalun työntyminen pois jyrsinnästä kontrolloimattomaan tapaan
- älä kohdista työkaluun painetta; anna jyrsintälevyn nopeuden tehdä työ
- jyrsintälevyn työskentelynopeus riippuu jyrsittävästä materiaalista
- älä jarruta jyrsintälevyjä sivulta kohdistuvalla paineella
- Koneen pitäminen ja ohjaaminen
- pidä työkalusta aina kiinni molemmin käsin niin että pystyt kontrolloimaan työkalua koko ajan
- ! **pidä työkalusta kiinni aina työskentelyn aikana harmaan värisestä kädensija(oi)sta ⑪**
- varmista tukeva asento
- kiinnitä huomiota pyörinnän suuntaan; käsittele työkalua aina niin että kipinät ja hionta/jyrsintäpöly lentää pois sinusta
- pidä ilmanvaihto-aukkoja J ② peittämättöminä

VINKKEJÄ

- Laipan B ② sijasta voidaan käyttää "CLIC"-pikakiristyslaippaa (SKIL varuste 2610388766); hionta/jyrsintälevyt voidaan kiinnittää varusteavaimia käyttämättä
- Lisävinkkejä on tarjolla web-osoitteessa www.skil.com

HOITO / HUOLTO

- Tätä työkalua ei ole tarkoitettu ammattikäyttöön
- Pidä työkalu ja johto puhtaina (varmistaa erityisesti ilma-aukkojen puhdistus J ②)
- ! **älä yritä puhdistaa laitetta terävillä esineillä ilmanvaihtoreiät kautta**
- ! **irrotta liitosjohto aina puhdistuksen ajaksi pistorasiasta**
- Jos sähkötyökalussa, huolellisesta valmistuksesta ja koestusmenetelystä huolimatta esiintyy vikaa, tulee korjaus antaa SKIL sopimushuollon tehtäväksi
 - toimita työkalu sitä osiin **purkamatta** lähimpään SKIL-huoltoon (osoitteet ja työkalun huoltokaava ovat tarjolla web-osoitteessa www.skil.com) ostotodiste mukaan liitettynä

YMPÄRISTÖSUOJELU

- **Älä hävitä sähkötyökalua, tarvikkeita tai pakkausta tavallisen kotitalousjätteen mukana** (koskee vain EU-maita)
 - vanhoja sähkö- ja elektroniikkalaitteita koskevan EU-direktiivin 2002/96/ETY ja sen maakohtaisten sovellusten mukaisesti käytetyt sähkötyökalut on toimitettava ongelmajätteen keräyspisteeseen ja ohjattava ympäristöystävälliseen kierrätykseen
 - symboli ⑫ muistuttaa tästä, kun käytöstä poisto tulee ajankohtaiseksi

VAATIMUSTEN- MUKAISUUSVAKUUTUS CE

- Vakuutamme yksin vastaavamme siitä, että kohdassa "Tekniset tiedot" selostettu tuote vastaa seuraavia standardeja tai standardoituja asiakirjoja: EN 60745, EN 61000, EN 55014 direktiivien 2004/108/EY, 2006/42/EY, 2011/65/EU määräysten mukaan
- **Tekninen tiedosto kohdasta:** SKIL Europe BV (PT-SEU/ENG1), 4825 BD Breda, NL

Marijn van der Hoofden Olaf Dijkgraaf
Operations & Engineering Approval Manager

SKIL Europe BV, 4825 BD Breda, NL

05.08.2013

MELU/TÄRINÄ

- Mitattuna EN 60745 mukaan työkalun melutaso on 90 dB(A) ja yleensä työkalun äänen voimakkuus on 101 dB(A) (keskihajonta: 3 dB), ja tärinän voimakkuus * m/s² (käsi-käsivarsi metodi; epävarmuus K = 1,5 m/s²)
 - * pintahionnassa 8,1 m/s²
 - * hionnassa 6,2 m/s²
- ! **muissa toiminnoissa (kuten katkaisussa ja teräsharjalla puhdistettaessa) voi syntyä erilaista tärinää**

- Tärinäseilytaso on mitattu standardin EN 60745 mukaisen standarditestin mukaisesti; sitä voidaan käyttää verrattaessa yhtä laitetta toiseen sekä alustavana tärinälle altistumisen arviona käytettäessä laitetta manituissa käyttötarkoituksissa
 - laitteen käyttö eri käyttötarkoituksiin tai erilaisten tai huonosti ylläpidettyjen lisälaitteiden kanssa voi **lisätä** merkittävästi altistumistasoa
 - laitteen ollessa sammuksissa tai kun se on käynnissä, mutta sillä ei tehdä työtä, altistumistaso voi olla huomattavasti **pienempi**
- ! **suojaudu tärinän vaikutuksilta ylläpitämällä laite ja sen lisävarusteet, pitämällä kädet lämpiminä ja järjestämällä työmenetelmät**

E

Amoladora angular

9176

INTRODUCCIÓN

- Esta herramienta ha sido diseñada para amolar, tronzar y desbarbar materiales de metal y piedra sin necesidad de utilizar agua; con los accesorios apropiados, también se puede utilizar la herramienta para cepillar y lijar
- Esta herramienta no está concebida para uso profesional
- **El tronzado con discos de cortar abrasivos sólo se puede realizar cuando se utiliza un protector de tronzado (disponible como un accesorio adicional SKIL 2610399439)**
- Lea y conserve este manual de instrucciones ③

DATOS TÉCNICOS ①

ELEMENTOS DE LA HERRAMIENTA ②

- A Eje
- B Brida de sujeción
- C Llave
- D Botón de bloqueo del eje
- E Empuñadura auxiliar
- F Protector de seguridad
- G Brida de montaje
- H Interruptor de encendido/apagado de bloqueo
- J Ranuras de ventilación

SEGURIDAD

INSTRUCCIONES GENERALES DE SEGURIDAD

⚠ ¡ATENCIÓN! Lea íntegramente estas advertencias de peligro e instrucciones. En caso de no atenerse a las advertencias de peligro e instrucciones siguientes, ello puede ocasionar una descarga eléctrica, un incendio y/o lesión grave. **Guardar todas las advertencias de peligro e instrucciones para futuras consultas.** El término "herramienta eléctrica" empleado en las siguientes advertencias de peligro se refiere a herramientas eléctricas de conexión a la red (con cable de red) y a herramientas eléctricas accionadas por acumulador (o sea, sin cable de red).

1) SEGURIDAD DEL PUESTO DE TRABAJO

- a) **Mantenga limpia y bien iluminada su área de trabajo.** El desorden o una iluminación deficiente en las áreas de trabajo pueden provocar accidentes.
- b) **No utilice la herramienta eléctrica en un entorno con peligro de explosión, en el que se encuentren combustibles líquidos, gases o material en polvo.** Las herramientas eléctricas producen chispas que pueden llegar a inflamar los materiales en polvo o vapores.
- c) **Mantenga alejados a los niños y otras personas de su área de trabajo al emplear la herramienta eléctrica.** Una distracción le puede hacer perder el control sobre la herramienta.

2) SEGURIDAD ELÉCTRICA

- a) **El enchufe de la herramienta debe corresponder a la toma de corriente utilizada. No es admisible modificar el enchufe en forma alguna. No emplear adaptadores en herramientas dotadas con una toma de tierra.** Los enchufes sin modificar adecuados a las respectivas tomas de corriente reducen el riesgo de una descarga eléctrica.
- b) **Evite que su cuerpo toque partes conectadas a tierra como tuberías, radiadores, cocinas y refrigeradores.** El riesgo a quedar expuesto a una descarga eléctrica es mayor si su cuerpo tiene contacto con tomas de tierra.
- c) **No exponga las herramientas eléctricas a la lluvia o a condiciones de humedad.** Existe el peligro de recibir una descarga eléctrica si penetran líquidos en la herramienta.
- d) **No utilice el cable de red para transportar o colgar la herramienta, ni tire de él para sacar el enchufe de la toma de corriente. Mantenga el cable de red alejado del calor, aceite, esquinas cortantes o piezas móviles.** Los cables de red dañados o enredados pueden provocar una descarga eléctrica.
- e) **Al trabajar con la herramienta eléctrica en la intemperie utilice solamente cables de prolongación homologados para su uso en exteriores.** La utilización de un cable de prolongación adecuado para su uso en exteriores reduce el riesgo de una descarga eléctrica.
- f) **Si el funcionamiento de una herramienta eléctrica en un lugar húmedo fuese inevitable, utilice un cortacircuito de fuga a tierra.** El uso de un cortacircuito de fuga a tierra reduce el riesgo de descarga eléctrica.

3) SEGURIDAD DE PERSONAS

- a) **Esté atento y emplee la herramienta con prudencia. No utilice la herramienta eléctrica si estuviese cansado, ni bajo los efectos de alcohol, drogas o medicamentos.** El no estar atento durante el uso de una herramienta eléctrica puede provocarle serias lesiones.
- b) **Utilice un equipo de protección personal y en todo caso unas gafas de protección.** El riesgo a lesionarse se reduce considerablemente si, dependiendo del tipo y la aplicación de la herramienta eléctrica empleada, se utiliza un equipo de protección adecuado como una mascarilla antipolvo, zapatos de seguridad con suela antideslizante, casco, o protectores auditivos.
- c) **Evite una puesta en marcha fortuita. Asegurarse de que la herramienta eléctrica esté desconectada**

- antes de conectarla a la toma de corriente y/o al montar el acumulador, al recogerla, y al transportarla.** Si transporta la herramienta eléctrica sujetándola por el interruptor de conexión/desconexión, o si introduce el enchufe en la toma de corriente con la herramienta eléctrica conectada, ello puede dar lugar a un accidente.
- d) **Retire las herramientas de ajuste o llaves fijas antes de conectar la herramienta eléctrica.** Una herramienta o llave colocada en una pieza rotativa puede producir lesiones graves al accionar la herramienta eléctrica.
- e) **Sea precavido. Trabaje sobre una base firme y mantenga el equilibrio en todo momento.** Ello le permitirá controlar mejor la herramienta eléctrica en caso de presentarse una situación inesperada.
- f) **Lleve puesta una vestimenta de trabajo adecuada. No utilice vestimenta amplia ni joyas. Mantenga su pelo, vestimenta y guantes alejados de las piezas móviles.** La vestimenta suelta, las joyas y el pelo largo se pueden enganchar con las piezas en movimiento.
- g) **Siempre que sea posible utilizar equipos de aspiración o captación de polvo, asegúrese que éstos estén montados y que sean utilizados correctamente.** El empleo de estos equipos reduce los riesgos derivados del polvo.

4) CUIDADO Y UTILIZACIÓN DE HERRAMIENTAS ELÉCTRICAS

- a) **No sobrecargue la herramienta. Use la herramienta prevista para el trabajo a realizar.** Con la herramienta adecuada podrá trabajar mejor y con mayor seguridad dentro del margen de potencia indicado.
- b) **No utilice herramientas con un interruptor defectuoso.** Las herramientas que no se puedan conectar o desconectar son peligrosas y deben repararse.
- c) **Saque el enchufe de la red y/o desmonte el acumulador antes de realizar un ajuste en la herramienta eléctrica, cambiar de accesorio o al guardar la herramienta eléctrica.** Esta medida preventiva reduce el riesgo de conectar accidentalmente la herramienta.
- d) **Guarde las herramientas fuera del alcance de los niños y de las personas que no estén familiarizadas con su uso.** Las herramientas utilizadas por personas inexpertas son peligrosas.
- e) **Cuide sus herramientas con esmero. Controle si funcionan correctamente, sin atascarse, las partes móviles de la herramienta, y si existen partes rotas o deterioradas que pudieran afectar al funcionamiento de la herramienta. Si la herramienta eléctrica estuviese defectuosa haga repararla antes de volver a utilizarla.** Muchos de los accidentes se deben a herramientas con un mantenimiento deficiente.
- f) **Mantenga los útiles limpios y afilados.** Los útiles mantenidos correctamente se dejan guiar y controlar mejor.
- g) **Utilice herramientas eléctricas, accesorios, útiles, etc. de acuerdo con estas instrucciones, teniendo en cuenta las condiciones de trabajo y la tarea a realizar.** El uso de herramientas eléctricas para trabajos diferentes de aquellos para los que han sido concebidas puede resultar peligroso.

5) SERVICIO

- a) **Únicamente haga reparar su herramienta eléctrica por un profesional, empleando exclusivamente piezas de repuesto originales.** Solamente así se mantiene la seguridad de la herramienta eléctrica.

INSTRUCCIONES DE SEGURIDAD PARA AMOLADORAS ANGULARES

1) INSTRUCCIONES DE SEGURIDAD PARA TODOS LOS TRABAJOS

- a) **Esta herramienta eléctrica ha sido concebida para amolar, lijar, trabajar con cepillos de alambre, y tronzar. Observe todas las advertencias de peligro, instrucciones, ilustraciones y especificaciones técnicas que se suministran con la herramienta eléctrica.** En caso de no atenerse a las instrucciones siguientes, ello puede provocar una electrocución, incendio y/o lesiones serias.
- b) **No se recomienda el uso de esta herramienta eléctrica para operaciones de pulido.** Las operaciones para las que no está diseñada la herramienta eléctrica pueden generar riesgos y provocar daños personales.
- c) **No emplee accesorios diferentes de aquellos que el fabricante haya previsto o recomendado especialmente para esta herramienta eléctrica.** El mero hecho de que sea acoplable un accesorio a su herramienta eléctrica no implica que su utilización resulte segura.
- d) **Las revoluciones admisibles del útil deberán ser como mínimo iguales a las revoluciones máximas indicadas en la herramienta eléctrica.** Aquellos accesorios que giren a unas revoluciones mayores a las admisibles pueden llegar a romperse.
- e) **El diámetro exterior y el grosor del útil deberán corresponder con las medidas indicadas para su herramienta eléctrica.** Los útiles de dimensiones incorrectas no pueden protegerse ni controlarse con suficiente seguridad.
- f) **Los útiles de fijación a rosca deberán ajustar exactamente en la rosca del husillo. En los útiles de fijación por brida su diámetro de encaje deberá ser compatible con el de alojamiento en la brida.** Los útiles que no vayan fijados exactamente sobre la herramienta eléctrica giran descentrados, vibran mucho, y pueden hacerle perder el control sobre la herramienta.
- g) **No use útiles dañados. Antes de cada uso inspeccione el estado de los útiles con el fin de detectar, p. ej., si están desportillados o fisurados los útiles de amolar, si está agrietado o muy desgastado el plato lijador, o si las púas de los cepillos de alambre están flojas o rotas. Si se le cae la herramienta eléctrica o el útil, inspeccione si han sufrido algún daño o monte otro útil en correctas condiciones. Una vez controlado y montado el útil sitúese Vd. y las personas circundantes fuera del plano de rotación del útil y deje funcionar la herramienta eléctrica en vacío, a las revoluciones máximas, durante un minuto.** Por lo regular, aquellos útiles que estén dañados suelen romperse al realizar esta comprobación.

- h) **Utilice un equipo de protección personal** ④). Dependiendo del trabajo a realizar use una careta, una protección para los ojos, o unas gafas de protección. Dependiendo del trabajo a realizar, emplee una mascarilla antipolvo, protectores auditivos, guantes de protección o un mandil especial adecuado para protegerle de los pequeños fragmentos que pudieran salir proyectados. Las gafas de protección deberán ser indicadas para protegerle de los fragmentos que pudieran salir despedidos al trabajar. La mascarilla antipolvo o respiratoria deberá ser apta para filtrar las partículas producidas al trabajar. La exposición prolongada al ruido puede provocarle sordera.
- i) **Cuide que las personas en las inmediaciones se mantengan a suficiente distancia de la zona de trabajo. Toda persona que acceda a la zona de trabajo deberá utilizar un equipo de protección personal.** Podrían ser lesionadas, incluso fuera del área de trabajo inmediato, al salir proyectados fragmentos de la pieza de trabajo o del útil.
- j) **Únicamente sujete la herramienta eléctrica por las superficies de agarre aisladas al realizar trabajos en los que el accesorio pueda tocar conductores eléctricos ocultos o el propio cable.** El contacto con conductores bajo tensión puede hacer que las partes metálicas de la herramienta eléctrica le provoquen una descarga eléctrica.
- k) **Mantenga el cable de red alejado del útil en funcionamiento.** En caso de que Vd. pierda el control sobre la herramienta eléctrica puede llegar a cortarse o enredarse el cable de red con el útil y lesionarle su mano o brazo.
- l) **Jamás deposite la herramienta eléctrica antes de que el útil se haya detenido por completo.** El útil en funcionamiento puede llegar a tocar la base de apoyo y hacerle perder el control sobre la herramienta eléctrica.
- m) **No deje funcionar la herramienta eléctrica mientras la transporta.** El útil en funcionamiento podría lesionarle al engancharse accidentalmente con su vestimenta o pelo.
- n) **Limpie periódicamente las rejillas de refrigeración de su herramienta eléctrica.** El ventilador del motor aspira polvo hacia el interior de la carcasa, y en caso de una acumulación fuerte de polvo metálico ello le puede provocar una descarga eléctrica.
- o) **No utilice la herramienta eléctrica cerca de materiales combustibles.** Las chispas producidas al trabajar pueden llegar a incendiar estos materiales.
- p) **No emplee útiles que requieran ser refrigerados con líquidos.** La aplicación de agua u otros refrigerantes líquidos puede comportar una descarga eléctrica.
- ### 2) CAUSAS DEL RECHAZO Y ADVERTENCIAS AL RESPECTO
- El rechazo es un reacción brusca que se produce al atascarse o engancharse el útil, como un disco de amolar, plato lijador, cepillo de alambre, etc. Al atascarse o engancharse el útil en funcionamiento, éste es frenado bruscamente. Ello puede hacerle perder el control sobre la herramienta eléctrica y hacer que ésta salga impulsada en dirección opuesta al sentido de giro que tenía el útil.

- En el caso de que, p. ej., un disco amolador se atasque o bloquee en la pieza de trabajo, puede suceder que el canto del útil que penetra en el material se enganche, provocando la rotura del útil o el rechazo del aparato. Según el sentido de giro y la posición del útil en el momento de bloquearse puede que éste resulte despedido hacia, o en sentido opuesto al usuario. En estos casos puede suceder que el útil incluso llegue a romperse.
 - El rechazo es ocasionado por la aplicación o manejo incorrecto de la herramienta eléctrica. Es posible evitarlo ateniéndose a las medidas preventivas que a continuación se detallan.
- a) **Sujete con firmeza la herramienta eléctrica y mantenga su cuerpo y brazos en una posición propicia para resistir las fuerzas de reacción. Si forma parte del aparato, utilice siempre la empuñadura adicional para poder soportar mejor las fuerzas derivadas del rechazo y los pares de reacción en la puesta en marcha.** El usuario puede controlar la fuerza de rechazo y de reacción si toma unas medidas preventivas oportunas.

b) **Jamás aproxime su mano al útil en funcionamiento.** En caso de un rechazo el útil podría lesionarle la mano.

c) **No se sitúe dentro del área hacia el que se moverá la herramienta eléctrica al ser rechazada.** Al resultar rechazada la herramienta eléctrica saldrá despedida desde el punto de bloqueo en dirección opuesta al sentido de giro del útil.

d) **Tenga especial precaución al trabajar esquinas, cantos afilados, etc. Evite que el útil de amolar rebote contra la pieza de trabajo o que se atasque.** En las esquinas, cantos afilados, o al rebotar, el útil en funcionamiento tiende a atascarse. Ello puede hacerle perder el control o causar un rechazo del útil.

e) **No utilice hojas de sierra para madera ni otros útiles dentados.** Estos útiles son propensos al rechazo y pueden hacerle perder el control sobre la herramienta eléctrica.

3) ADVERTENCIAS DE SEGURIDAD ESPECÍFICAS PARA OPERACIONES DE AMOLADO Y DE CORTE POR ABRASIÓN

a) **Use exclusivamente útiles homologados para su herramienta eléctrica en combinación con la caperuza protectora prevista.** Los útiles que no fueron diseñados para esta herramienta eléctrica pueden quedar insuficientemente protegidos y suponen un riesgo.

b) **Los discos de amolar con centro deprimido deberán montarse de manera que la cara de amolado no alcance a sobresalir del reborde de la caperuza de protección.** Un disco de amolar incorrectamente montado cuya cara frontal rebase el reborde de la caperuza de protección no puede ser convenientemente protegido.

c) **La caperuza protectora deberá montarse firmemente en la herramienta eléctrica cuidando que quede orientada ofreciendo una seguridad máxima, o sea, cubriendo al máximo la parte del útil a la que queda expuesta el usuario.** La misión de la caperuza protectora es proteger al usuario de fragmentos

que puedan desprenderse del útil, contacto accidental con éste y chispas que podrían prender fuego a la ropa.

d) **Solamente emplee el útil para aquellos trabajos para los que fue concebido.** Por ejemplo, no emplee las caras de los discos tronznadores para amolar. En los útiles de tronzar el arranque de material se lleva a cabo con los bordes del disco. Si estos útiles son sometidos a un esfuerzo lateral ello puede provocar su rotura.

e) **Siempre use para el útil seleccionado una brida en perfecto estado con las dimensiones y forma correctas.** Una brida adecuada soporta convenientemente el útil reduciendo así el peligro de rotura. Las bridas para discos tronznadores pueden ser diferentes de aquellas para los discos de amolar.

f) **No intente aprovechar los discos amoladores de otras herramientas eléctricas más grandes aunque cuyo diámetro exterior se haya reducido suficientemente por el desgaste.** Los discos amoladores destinados para herramientas eléctricas grandes no son aptos para soportar las velocidades periféricas más altas a las que trabajan las herramientas eléctricas más pequeñas y pueden llegar a romperse.

4) INSTRUCCIONES DE SEGURIDAD ADICIONALES ESPECÍFICAS PARA EL TRONZADO

a) **Evite que se bloquee el disco tronizador y una presión de aplicación excesiva. No intente realizar cortes demasiado profundos.** Al solicitar en exceso el disco tronizador éste es más propenso a ladearse, bloquearse, a ser rechazado o a romperse.

b) **No se coloque delante o detrás del disco tronizador en funcionamiento, alineado con la trayectoria del corte.** Mientras que al cortar, el disco tronizador es guiado en sentido opuesto a su cuerpo, en caso de un rechazo el disco tronizador y la herramienta eléctrica son impulsados directamente contra Vd.

c) **Si el disco tronizador se bloquea, o si tuviese que interrumpir su trabajo, desconecte la herramienta eléctrica y manténgala en esa posición, sin moverla, hasta que el disco tronizador se haya detenido por completo. Jamás intente sacar el disco tronizador en marcha de la ranura de corte, ya que ello podría provocar un rechazo.** Investigue y subsane la causa del bloqueo.

d) **No intente proseguir el corte con el disco tronizador insertado en la ranura de corte. Una vez fuera, conecte la herramienta eléctrica y espere a que el disco tronizador haya alcanzado las revoluciones máximas y aproxímelo entonces con cautela a la ranura de corte.** En caso contrario el disco tronizador podría bloquearse, salirse de la ranura de corte, o resultar rechazado.

e) **Soporte las planchas u otras piezas de trabajo grandes para reducir el riesgo de bloqueo o rechazo del disco tronizador.** Las piezas de trabajo extensas tienden a combarse por su propio peso. La pieza de trabajo deberá apoyarse desde abajo a ambos lados tanto cerca de la línea de corte como a sus extremos.

f) **Proceda con especial cautela al realizar recortes "por inmersión" en paredes o superficies similares.** El disco tronizador puede ser rechazado al tocar tuberías de gas o agua, conductores eléctricos, u otros objetos.

5) INSTRUCCIONES DE SEGURIDAD ESPECÍFICAS PARA TRABAJOS CON HOJAS LIJADORAS

- a) **No use hojas lijadoras más grandes que el soporte, ateniéndose para ello a las dimensiones que el fabricante recomienda.** Las hojas lijadoras de un diámetro mayor que el plato lijador pueden provocar un accidente, fisurarse, o provocar un rechazo.

6) INSTRUCCIONES DE SEGURIDAD ESPECÍFICAS PARA EL TRABAJO CON CEPILLOS DE ALAMBRE

- a) **Considere que las púas de los cepillos de alambre pueden desprenderse también durante un uso normal. No fuerce las púas ejerciendo una fuerza de aplicación excesiva.** Las púas desprendidas pueden traspasar muy fácilmente tela delgada y/o la piel.
- b) **En caso de recomendarse el uso de una caperuza protectora, evite que el cepillo de alambre alcance a rozar contra la caperuza protectora.** Los cepillos de plato y de vaso pueden aumentar su diámetro por efecto de la presión de aplicación y de la fuerza centrífuga.

GENERAL

- Esta herramienta no es adecuada para amolar/tronzar con agua
- Utilice únicamente las bridas que se entregan con esta herramienta
- Esta herramienta no debe utilizarse por personas menores de 16 años
- **Desenchufar siempre la herramienta antes de realizar cualquier ajuste o cambiar algún accesorio**

ACCESORIOS

- SKIL únicamente puede garantizar un funcionamiento correcto de la herramienta al emplear accesorios originales
- **Utilice únicamente discos de amolar/tronzar con un grosor máximo de 8 mm y un diámetro del orificio para el eje de 22 mm**
- Cuando monte/utilice accesorios distintos de la marca SKIL, respete las instrucciones del fabricante
- Nunca utilice reductores o adaptadores para ajustar agujeros más grandes que los discos de amolar/tronzar
- Nunca utilice accesorios con un agujero "ciego" roscado inferior a M14 x 21 mm

USO EXTERIOR

- Conecte la herramienta mediante un interruptor (FI) a una corriente de disparo de 30 mA como máximo

ANTES DEL USO

- Antes de utilizar la herramienta por primera vez, es recomendable saber cierta información práctica
- Compruebe siempre que la tensión de alimentación es la misma que la indicada en la placa de características de la herramienta (las herramientas de 230V o 240V pueden conectarse también a 220V)
- Monte siempre la empuñadura auxiliar E ② y el protector de seguridad F ②; nunca utilice la herramienta sin ellas
- **Utilice aparatos de detección adecuados para localizar posibles conductores o tuberías ocultas, o consulte a su compañía abastecedora** (el contacto con conductores eléctricos puede provocar una descarga eléctrica e incluso un incendio; al dañar una tubería de gas puede producirse una explosión; la perforación de una tubería de agua pueden causar daños materiales o una descarga eléctrica)

- **No trabaje materiales que contengan amianto** (el amianto es cancerígeno)
- El polvo del material, como por ejemplo la pintura que contiene plomo, algunas especies de madera, minerales y metal podrían ser dañinos (el contacto o inhalación del polvo podría producir reacciones alérgicas y/o trastornos respiratorios al operador u otras personas cerca); **utilice una máscara contra el polvo y trabaje con un dispositivo de extracción de polvo cuando lo conecte**
- Ciertos tipos de polvo están catalogados como cancerígenos (por ejemplo el polvo de roble y de haya) especialmente junto con aditivos para el acondicionamiento de la madera; **utilice una máscara contra el polvo y trabaje con un dispositivo de extracción de polvo cuando lo conecte**
- Siga la normativa nacional en cuanto a extracción de polvo, en función de los materiales que vayan a ser utilizados
- Tenga cuidado cuando tronze sotobosque, especialmente en muros de soporte (las aberturas de los muros de soporte están sujetas a regulaciones específicas de cada país; estas regulaciones deben respetarse bajo cualquier circunstancia)
- **Asegure la pieza de trabajo** (una pieza de trabajo fijada con unos dispositivos de sujeción o en un tornillo de banco, se mantiene sujeta de forma mucho más segura que con la mano)
- No sujete la herramienta a un banco
- Utilice cables de extensión seguros y completamente desenrollados con una capacidad de 16 amperios

DURANTE EL USO

- Si llega a dañarse o cortarse el cable eléctrico durante el trabajo, no tocar el cable, sino extraer inmediatamente el enchufe de la red
- No utilizar la herramienta cuando el cable esté dañado; hágalo cambiar por una persona calificada
- En el caso de que se produjera un mal funcionamiento eléctrico o mecánico, apague inmediatamente la herramienta y desconecte el enchufe
- En caso de producirse un corte de corriente o cuando el enchufe se desconecta accidentalmente, desbloquee el interruptor de encendido/apagado H ② de manera inmediata con el fin de prevenir que se vuelva a poner en marcha de manera descontrolada

DESPUÉS DEL USO

- Después de apagar la herramienta, nunca detenga la rotación del accesorio ejerciendo una fuerza lateral contra él

USO

- Montaje de accesorios ②
 - ! **desenchufar la herramienta**
 - limpie el eje A y todas las piezas que vaya a montar
 - apriete la brida de sujeción B con la llave C mientras aprieta el botón de bloqueo del eje D
 - ! **sólo pulse el botón de bloqueo del eje D cuando el eje A esté inmóvil**
 - para desmontar los accesorios, proceda de modo inverso

- ! **las muelas de amolar/tronzar se calientan en exceso durante su uso; no las toque hasta que se hayan enfriado**
- ! **monte siempre una almohadilla de apoyo cuando utilice accesorios de lijado**
- ! **nunca utilice un disco de amolar/tronzar sin la etiqueta, que se encuentra pegada sobre el disco (si suministrada)**
- Montaje de la empuñadura auxiliar E (6)
 - ! **desenchufar la herramienta**
 - atornille la empuñadura auxiliar E a la derecha, la parte superior o la izquierda de la herramienta (dependiendo del trabajo a realizar)
- Desmontaje/montaje/regulación del protector de seguridad F (7)
 - ! **desenchufar la herramienta**
 - ! **asegúrese de que la parte cerrada del protector de seguridad siempre está orientada hacia el operador**
- Antes de utilizar la herramienta
 - asegúrese de que el accesorio esté correctamente montado y firmemente apretado
 - compruebe que el accesorio se mueve libremente al girarlo con la mano
 - pruebe la herramienta al dejarla funcionar en una posición segura durante al menos 30 segundos a la máxima velocidad en vacío
 - deténgala inmediatamente en caso de vibraciones considerables u otros defectos, y examine la herramienta para determinar su posible causa
- Interruptor de encendido/apagado de bloqueo H (8)
 - ponga en marcha la herramienta (8a)
 - ! **tenga cuidado con la reacción súbita de la herramienta, al conectarla**
 - ! **antes de trabajar sobre una pieza, la herramienta deba alcanzar su velocidad máxima**
 - bloquee el interruptor (8b)
 - desbloquee el interruptor/desconecte la herramienta (8c)
 - ! **antes de desactivar la herramienta, debe retirarla de la pieza de trabajo**
 - ! **después de haber apagado la herramienta el accesorio continuará girando durante un corte período de tiempo**
- Amolar (9)
 - mueva la herramienta hacia delante y atrás ejerciendo una presión moderada
 - ! **nunca utilice una muela tronzadora para amolar lateralmente**
- Tronzar (10)
 - no incline la herramienta al tronzar
 - mueva siempre la herramienta en la dirección de la flecha situada sobre el cabezal de la herramienta para prevenir que empuje la herramienta fuera del corte de una forma descontrolada
 - no presione la herramienta; deje que la velocidad de la muela tronzadora haga el trabajo
 - la velocidad de trabajo de la muela tronzadora depende del material que esté cortando
 - no frene las muelas tronzadoras ejerciendo presión lateral

- Sujeción y manejo de la herramienta
 - sujete siempre firmemente la herramienta con ambas manos para tener el control todo el tiempo
- ! **durante el trabajo, sujete siempre la herramienta por la(s) zona(s) de empuñadura de color gris (11)**
- adopte una postura segura
- preste atención a la dirección de rotación; sostenga siempre la herramienta de modo que las chispas y el polvo procedentes de la herramienta salten lejos del cuerpo
- mantenga las ranuras de ventilación J (2) descubiertas

CONSEJOS DE APLICACIÓN

- En lugar de la brida B (2), puede utilizar la brida de sujeción rápida "CLIC" (accesorio SKIL 2610388766); entonces, podrá montar las muelas de amolar/tronzar sin utilizar llaves accesorias
- Para más consejos vea www.skil.com

MANTENIMIENTO / SERVICIO

- Esta herramienta no está concebida para uso profesional
- Mantenga limpio el cable eléctrico y la herramienta (sobre todo las ranuras de ventilación J (2))
 - ! **no intentar limpiar insertando objetos puntiagudos a través de las ranuras de ventilación**
 - ! **desenchufar la herramienta antes de limpiar**
- Si a pesar de los esmerados procesos de fabricación y control, la herramienta llegase a averiarse, la reparación deberá encargarse a un servicio técnico autorizado para herramientas eléctricas SKIL
 - envíe la herramienta **sin desmontar** junto con una prueba de su compra a su distribuidor o a la estación de servicio más cercana de SKIL (los nombres así como el despiece de piezas de la herramienta figuran en www.skil.com)

AMBIENTE

- **No deseche las herramientas eléctricas, los accesorios y embalajes junto con los residuos domésticos** (sólo para países de la Unión Europea)
 - de conformidad con la Directiva Europea 2002/96/CE sobre residuos de aparatos eléctricos y electrónicos y su aplicación de acuerdo con la legislación nacional, las herramientas eléctricas cuya vida útil haya llegado a su fin se deberán recoger por separado y trasladar a una planta de reciclaje que cumpla con las exigencias ecológicas
 - símbolo (12) llamará su atención en caso de necesidad de tirarlas

DECLARACIÓN DE CONFORMIDAD CE

- Declaramos bajo nuestra sola responsabilidad que el producto descrito bajo "Datos técnicos" está en conformidad con las normas o documentos normalizados siguientes: EN 60745, EN 61000, EN 55014, de acuerdo con las disposiciones en las directivas 2004/108/CE, 2006/42/CE, 2011/65/UE

- **Expediente técnico en:** SKIL Europe BV (PT-SEU/ENG1), 4825 BD Breda, NL

Marijn van der Hoofden
Operations & Engineering

Olaf Dijkgraaf
Approval Manager

SKIL Europe BV, 4825 BD Breda, NL

05.08.2013

RUÍDOS/VIBRACIONES

- Medido según EN 60745 el nivel de la presión acústica de esta herramienta se eleva a 90 dB(A) y el nivel de la potencia acústica a 101 dB(A) (desviación estándar: 3 dB), y la vibración a * m/s² (método brazo-mano; incertidumbre K = 1,5 m/s²)
 - * durante la amoladura de las superficies 8,1 m/s²
 - * durante el lijado 6,2 m/s²
- ! **otras aplicaciones (tales como tronzar o trabajar con cepillos de alambre) pueden tener diferentes valores de vibración**
- El nivel de emisión de vibraciones ha sido medido según una prueba estándar proporcionada en EN 60745; puede utilizarse para comparar una herramienta con otra y como valoración preliminar de la exposición a las vibraciones al utilizar la herramienta con las aplicaciones mencionadas
 - al utilizarla para distintas aplicaciones o con accesorios diferentes o con un mantenimiento deficiente, podría **aumentar** de forma notable el nivel de exposición
 - en las ocasiones en que se apaga la herramienta o cuando está funcionando pero no está realizando ningún trabajo, se podría **reducir** el nivel de exposición de forma importante
- ! **protéjase contra los efectos de la vibración realizando el mantenimiento de la herramienta y sus accesorios, manteniendo sus manos calientes y organizando sus patrones de trabajo**



P

Rebarbadora

9176

INTRODUÇÃO

- Esta ferramenta destina-se ao rebarbe, corte e rectificação de metal e pedra sem a utilização de água; com os acessórios adequados, a ferramenta também pode ser utilizada para escovar e lixar
- Esta ferramenta não se destina a utilização profissional

- **As operações de corte com rodas de corte abrasivas só são permitidas quando utilizar uma guarda de corte (disponível como o acessório SKIL opcional 2610399439)**
- Leia e guarde este manual de instruções ③

DADOS TÉCNICOS ①

ELEMENTOS DA FERRAMENTA ②

- A Veio
- B Anel de aperto
- C Chave de porcas
- D Botão de bloqueio do veio
- E Punho auxiliar
- F Protecção
- G Anel de montagem
- H Interruptor on/off de travagem
- J Aberturas de ventilação

SEGURANÇA

INSTRUÇÕES GERAIS DE SEGURANÇA

⚠ ATENÇÃO! Devem ser lidas todas as indicações de advertência e todas as instruções. O desrespeito das advertências e instruções apresentadas abaixo pode causar choque eléctrico, incêndio e/ou graves lesões. **Guarde bem todas as advertências e instruções para futura referência.** O termo “ferramenta eléctrica” utilizado a seguir nas indicações de advertência, refere-se a ferramentas eléctricas operadas com corrente de rede (com cabo de rede) e a ferramentas eléctricas operadas com acumulador (sem cabo de rede).

1) SEGURANÇA DA ÁREA DE TRABALHO

- a) **Mantenha a sua área de trabalho limpa e arrumada.** Desordem ou áreas de trabalho com fraca iluminação podem causar acidentes.
- b) **Não trabalhar com a ferramenta eléctrica em áreas com risco de explosão, nas quais se encontrem líquidos, gases ou pós inflamáveis.** Ferramentas eléctricas produzem faíscas que podem provocar a ignição de pó e vapores.
- c) **Mantenha crianças e outras pessoas afastadas da ferramenta eléctrica durante o trabalho com a ferramenta.** Distrações podem causar a falta de controle sobre o aparelho.

2) SEGURANÇA ELÉCTRICA

- a) **A ficha da ferramentas eléctricas devem caber na tomada. A ficha não deve ser modificada de modo algum. Não utilize quaisquer fichas de adaptação junto com ferramentas eléctricas ligadas à terra.** Fichas sem modificações e tomadas adequadas reduzem o risco de choques eléctricos.
- b) **Evite que o corpo entre em contacto com superfícies ligadas à terra, como por exemplo tubos, radiadores, fogões e geladeiras.** Há um risco elevado de choques eléctricos, caso o corpo for ligado à terra.
- c) **A ferramenta eléctrica não deve ser exposta à chuva nem humidade.** A penetração de água na

ferramenta eléctrica aumenta o risco de choques eléctricos.

- d) **O cabo do aparelho não deve ser utilizado para o transporte, para pendurar o aparelho, nem para puxar a ficha da tomada. Mantenha o cabo afastado de calor, óleo, cantos afiados ou partes em movimento do aparelho.** Cabos danificados ou torcidos aumentam o risco de choques eléctricos.
- e) **Ao trabalhar com a ferramenta eléctrica ao ar livre, use um cabo de extensão apropriado para áreas externas.** O uso de um cabo apropriado para áreas externas reduz o risco de choques eléctricos.
- f) **Se não for possível evitar o funcionamento da ferramenta eléctrica em áreas húmidas, deverá ser utilizado um disjuntor de corrente de avaria.** A utilização de um disjuntor de corrente de avaria reduz o risco de um choque eléctrico.

3) SEGURANÇA DE PESSOAS

- a) **Esteja alerta, observe o que está a fazer, e tenha prudência ao trabalhar com a ferramenta eléctrica. Não use a ferramenta eléctrica se estiver fatigado ou sob a influência de drogas, álcool ou medicamentos.** Um momento de falta de atenção durante a operação da ferramenta eléctrica pode causar graves lesões.
- b) **Utilize equipamento de protecção pessoal e sempre óculos de protecção.** A utilização de equipamento de protecção pessoal, como máscara de protecção contra pó, sapatos de segurança antiderrapantes, capacete de segurança ou protecção auricular, de acordo com o tipo e aplicação da ferramenta eléctrica, reduz o risco de lesões.
- c) **Evitar uma colocação em funcionamento involuntária. Assegure-se de que a ferramenta eléctrica esteja desligada, antes de conectá-la à alimentação de rede e/ou ao acumulador, antes de levantá-la ou de transportá-la.** Se tiver o dedo no interruptor ao transportar a ferramenta eléctrica ou se o aparelho for conectado à alimentação de rede enquanto estiver ligado, poderão ocorrer acidentes.
- d) **Remover chaves de ajustes ou chaves de fenda, antes de ligar a ferramenta eléctrica.** Uma chave de fenda ou chave de ajuste que se encontre numa parte móvel do aparelho, pode levar a lesões.
- e) **Não se sobrestime. Mantenha uma posição firme e mantenha sempre o equilíbrio.** Desta forma poderá ser mais fácil controlar o aparelho em situações inesperadas.
- f) **Use roupa apropriada. Não use roupa larga ou jóias. Mantenha o cabelo, roupa e luvas afastadas de partes em movimento.** Roupas largas, jóias ou cabelos longos podem ser agarradas por partes em movimento.
- g) **Se for prevista a montagem de dispositivos de aspiração de pó e de dispositivos de recolha, assegure-se de que estão conectados e que sejam utilizados de forma correcta.** A utilização de uma aspiração de pó pode reduzir o perigo devido ao pó.

4) USO E TRATAMENTO DE FERRAMENTAS ELÉCTRICAS

- a) **Não sobrecarregue a ferramenta eléctrica. Use para o seu trabalho a ferramenta eléctrica correcta. A**

ferramenta correcta realizará o trabalho de forma melhor e mais segura dentro da faixa de potência indicada.

- b) **Não utilize a ferramenta eléctrica se o interruptor não puder ser ligado nem desligado.** Qualquer ferramenta eléctrica que não possa ser controlada através do interruptor de ligar-desligar, é perigosa e deve ser reparada.
- c) **Puxar a ficha da tomada e/ou remover o acumulador antes de executar ajustes na ferramenta, de substituir acessórios ou de guardar a ferramenta.** Esta medida de segurança evita que a ferramenta eléctrica seja ligada acidentalmente.
- d) **Guarde ferramentas eléctricas que não estiverem sendo utilizadas, for a do alcance de crianças. Não permita que o aparelho seja utilizado por pessoas não familiarizadas com o mesmo ou que não tenham lido estas instruções.** Ferramentas eléctricas são perigosas nas mãos de pessoas sem treinamento.
- e) **Trate a sua ferramenta eléctrica com cuidado. Verifique se as partes móveis do aparelho funcionam perfeitamente e não emperram, se há peças quebradas ou danificadas, que possam influenciar o funcionamento do aparelho. Peças danificadas devem ser reparadas antes da utilização do aparelho.** Muitos acidentes tem como causa uma manutenção insuficiente das ferramentas eléctricas.
- f) **Mantenha as ferramentas de corte sempre afiadas e limpas.** Ferramentas de cortes devidamente tratadas, com cantos afiados travam com menos frequência e podem ser controladas com maior facilidade.
- g) **Use a ferramenta eléctrica, os acessórios os bits da ferramenta etc., de acordo com estas instruções. Considere também as condições de trabalho e o trabalho a ser efectuado.** A utilização da ferramenta eléctrica para outros fins que os previstos, pode resultar em situações perigosas.

5) SERVIÇO

- a) **A sua ferramenta eléctrica só deve ser reparada por pessoal qualificado e só devem ser colocadas peças sobressalentes originais.** Desta forma é assegurada a segurança da ferramenta eléctrica.

INSTRUÇÕES DE SEGURANÇA PARA REBARBADORAS

1) INSTRUÇÕES DE SEGURANÇA PARA TODAS AS APLICAÇÕES

- a) **Esta ferramenta eléctrica pode ser utilizada como lixadeira, lixadeira com lixa de papel, máquina para trabalhar com escovas de arame, e máquina para separar por rectificação. Observar todas as indicações de aviso, instruções, apresentações e dados fornecidos com a ferramenta eléctrica.** O desprezo das seguintes instruções pode levar a um choque eléctrico, incêndio e/ou graves lesões.
- b) **Esta ferramenta eléctrica não é recomendada para polir.** As operações para as quais a ferramenta eléctrica não foi concebida podem criar perigo e provocar lesões pessoais.
- c) **Não utilizar acessórios, que não foram especialmente previstos e recomendados pelo fabricante para esta ferramenta eléctrica.** O facto de

- poder fixar o acessório a esta ferramenta eléctrica, não garante uma aplicação segura.
- d) **O número de rotação admissível da ferramenta de trabalho deve ser no mínimo tão alto quanto o máximo número de rotação indicado na ferramenta eléctrica.** Acessórios que girem mais rápido do que permitido, podem ser destruídos.
- e) **O diâmetro exterior e a espessura da ferramenta de trabalho devem corresponder às indicações de medida da sua ferramenta eléctrica.** Ferramentas de trabalho incorrectamente medidas podem não ser suficientemente blindadas nem controladas.
- f) **Ferramentas de trabalho com encaixe roscado devem caber exactamente na rosca do veio de rectificação. Para ferramentas de trabalho montadas com flange é necessário que o diâmetro do furo da ferramenta de trabalho tenha as dimensões apropriadas para o flange.** Ferramentas de trabalho, que não são fixas exactamente na ferramenta eléctrica, giram de forma irregular, vibram fortemente e podem levar à perda de controlo.
- g) **Não utilizar ferramentas de trabalho danificadas. Antes de cada utilização deverá controlar as ferramentas de trabalho, e verificar se por exemplo os discos abrasivos apresentam fissuras e estilhaços, se pratos abrasivos apresentam fissuras, se há desgaste ou forte atrição, se as escovas de arame apresentam arames soltos ou quebrados. Se a ferramenta eléctrica ou a ferramenta de trabalho caírem, deverá verificar se sofreram danos, ou deverá utilizar uma ferramenta de trabalho intacta. Após ter controlado e introduzido a ferramenta de trabalho, deverá manter a própria pessoa e as pessoas que se encontrem nas proximidades, fora do nível de rotação da ferramenta de trabalho e permitir que a ferramenta eléctrica funcione durante um minuto com o máximo número de rotação.** A maioria das ferramentas de trabalho danificadas quebram durante este período de teste.
- h) **Utilizar um equipamento de protecção pessoal ④. De acordo com a aplicação, deverá utilizar uma protecção para todo o rosto, protecção para os olhos ou um óculos protector. Se for necessário, deverá utilizar uma máscara contra pó, protecção auricular, luvas de protecção ou um avental especial, que mantenha afastadas pequenas partículas de amoladura e de material.** Os olhos devem ser protegidos contra partículas a voar, produzidas durante as diversas aplicações. A máscara contra pó ou a máscara de respiração deve ser capaz de filtrar o pó produzido durante a respectiva aplicação. Se for sujeito durante longo tempo a fortes ruídos, poderá sofrer a perda da capacidade auditiva.
- i) **Observe que as outras pessoas mantenham uma distância segura em relação ao seu local de trabalho. Cada pessoa que entrar na área de trabalho, deverá usar um equipamento de protecção pessoal.** Estilhaços da peça a ser trabalhada ou ferramentas de trabalho quebradas podem voar e causar lesões fora da área imediata de trabalho.
- j) **Segurar a ferramenta eléctrica só pelas superfícies de punho isoladas ao executar trabalhos durante os quais o acessório possa atingir cabos eléctricos escondidos ou o próprio cabo de rede.** O contacto com um cabo sob tensão também pode colocar sob tensão as peças metálicas do aparelho e levar a um choque eléctrico.
- k) **Manter o cabo de rede afastado de ferramentas de trabalho em rotação.** Se perder o controlo sobre a ferramenta eléctrica, é possível que o cabo de rede seja cortado ou enganchado e a sua mão ou braço sejam puxados contra a ferramenta de trabalho em rotação.
- l) **Jamais depositar a ferramenta eléctrica, antes que a ferramenta de trabalho esteja completamente parada.** A ferramenta de trabalho em rotação pode entrar em contacto com a superfície de apoio, provocando uma perda de controlo da ferramenta eléctrica.
- m) **Não permitir que a ferramenta eléctrica funcione enquanto estiver a transportá-la.** A sua roupa pode ser agarrada devido a um contacto acidental com a ferramenta de trabalho em rotação, de modo que a ferramenta de trabalho possa ferir o seu corpo.
- n) **Limpar regularmente as aberturas de ventilação da sua ferramenta eléctrica.** A ventoinha do motor puxa pó para dentro da carcaça, e uma grande quantidade de pó de metal pode causar perigos eléctricos.
- o) **Não utilizar a ferramenta eléctrica perto de materiais inflamáveis.** Faíscas podem incendiar estes materiais.
- p) **Não utilizar ferramentas de trabalho que necessitem agentes de refrigeração líquidos.** A utilização de água ou de outros agentes de refrigeração líquidos pode provocar um choque eléctrico.
- 2) CONTRA-GOLPE E RESPECTIVAS INDICAÇÕES DE AVISO**
- Contra-golpe é uma repentina reacção devido a uma ferramenta de trabalho travada ou bloqueada, como por exemplo um disco abrasivo, um prato abrasivo, uma escova de arame etc. Um travamento ou um bloqueio levam a uma parada abrupta da ferramenta de trabalho em rotação. Desta forma, uma ferramenta eléctrica descontrolada é acelerada no local do bloqueio, no sentido contrário da rotação da ferramenta de trabalho.
 - Se por exemplo um disco abrasivo travar ou bloquear numa peça a ser trabalhada, o canto do disco abrasivo pode mergulhar na peça a ser trabalhada e encravar-se, quebrando o disco abrasivo ou causando um contra-golpe. O disco abrasivo se movimenta então no sentido do operador ou para longe deste, dependendo do sentido de rotação do disco no local do bloqueio. Também é possível que os discos abrasivos quebrem.
 - Um contra-golpe é a consequência de uma utilização incorrecta ou indevida da ferramenta eléctrica. Ele pode ser evitado por apropriadas medidas de cuidado, como descrito a seguir.
- a) **Segurar firmemente a ferramenta eléctrica e posicionar o seu corpo e os braços de modo que possa resistir às forças de um contra-golpe. Sempre utilizar o punho adicional, se existente, para assegurar o máximo controlo possível sobre as forças de um contra-golpe ou sobre momentos de reacção durante o arranque.** O operador pode controlar as forças de contra-golpe e as forças de reacção através de medidas de cuidado apropriadas.

- b) **Jamais permita que as suas mãos se encontrem perto de ferramentas de trabalho em rotação.** No caso de um contra-golpe a ferramenta de trabalho poderá passar pela sua mão.
- c) **Evite que o seu corpo se encontre na área, na qual a ferramenta eléctrica possa ser movimentada no caso de um contra-golpe.** O contra-golpe força a ferramenta eléctrica no sentido contrário ao movimento do disco abrasivo no local do bloqueio.
- d) **Trabalhar com especial cuidado na área ao redor de esquinas, cantos afiados etc. Evite que ferramentas de trabalho sejam ricocheteadas pela peça a ser trabalhada e travadas.** A ferramenta de trabalho em rotação tende a travar em esquinas, em cantos afiados ou se for ricocheteada. Isto causa uma perda de controlo ou um contra-golpe.
- e) **Não utilizar lâminas de serra de correias ou dentadas.** Estas ferramentas de trabalho causam frequentemente um contra-golpe ou a perda de controlo sobre a ferramenta eléctrica.

3) AVISOS DE SEGURANÇA ESPECÍFICOS PARA OPERAÇÕES DE CORTE ABRASIVO E RECTIFICAÇÃO

- a) **Utilizar exclusivamente os corpos abrasivos homologados para a sua ferramenta eléctrica e a capa de protecção prevista para estes corpos abrasivos.** Corpos abrasivos não previstos para a ferramenta eléctrica, não podem ser suficientemente protegidos e portanto não são seguros.
- b) **Discos abrasivos acotovelados devem ser montados de modo que a sua superfície rectificadora não sobressaia do nível da borda da cobertura de protecção.** Um disco abrasivo montado de forma incorrecta, que sobressaia do nível da borda da cobertura de protecção, não pode ser suficientemente protegido.
- c) **A capa de protecção deve ser firmemente aplicada na ferramenta eléctrica e fixa, de modo que seja alcançado um máximo de segurança, ou seja, que uma mínima parte do corpo abrasivo aponte abertamente na direcção do operador.** A capa de protecção deve proteger o operador contra estilhaços, contacto accidental com o corpo abrasivo e faíscas que podem incendiar a roupa.
- d) **Os corpos abrasivos só devem ser utilizados para possibilidades de aplicações recomendadas.** P.ex.: Jamais lixar com a superfície lateral de um disco de corte. Disco de corte são destinados para o desbaste de material com o canto do disco. Uma força lateral sobre estes corpos abrasivos pode quebrá-los.
- e) **Sempre utilizar flanges de aperto intactos de tamanho e forma correctos para o disco abrasivo seleccionado.** Flanges apropriados apoiam o disco abrasivo e reduzem assim o perigo de uma ruptura do disco abrasivo. Flanges para discos de corte podem diferenciar-se de flanges para outros discos abrasivos.
- f) **Não utilizar discos abrasivos gastos de outras ferramentas eléctricas maiores.** Discos abrasivos para ferramentas eléctricas maiores não são apropriados para os números de rotação mais altos de ferramentas eléctricas menores e podem quebrar.

4) OUTRAS INDICAÇÕES ESPECIAIS DE AVISO PARA SEPARAR POR RECTIFICAÇÃO

- a) **Evitar um bloqueio do disco de corte ou uma força de pressão demasiado alta. Não efectuar cortes extremamente profundos.** Uma sobrecarga do disco de corte aumenta o desgaste e a predisposição para emperrar e bloquear e portanto a possibilidade de um contra-golpe ou uma ruptura do corpo abrasivo.
- b) **Evitar a área que se encontra na frente ou atrás do disco de corte em rotação.** Se o disco de corte for conduzido na peça a ser trabalhada, para frente, afastando-se do corpo, é possível que no caso de um contra-golpe a ferramenta eléctrica, junto com o disco em rotação, seja atirada directamente na direcção da pessoa a operar o aparelho.
- c) **Se o disco de corte emperrar ou se o trabalho for interrompido, deverá desligar a ferramenta eléctrica e mantê-la imóvel, até o disco parar completamente. Jamais tentar puxar o disco de corte para fora do corte enquanto ainda estiver em rotação, caso contrário poderá ser provocado um contra-golpe.** Verificar e eliminar a causa do emperramento.
- d) **Não ligar novamente a ferramenta eléctrica, enquanto ainda estiver na peça a ser trabalhada. Permita que o disco de corte alcance o seu completo número de rotação, antes de continuar cuidadosamente a cortar.** Caso contrário é possível que o disco emperre, pule para fora da peça a ser trabalhada ou cause um contra-golpe.
- e) **Apoiar placas ou peças grandes, para reduzir um risco de contra-golpe devido a um disco de corte emperrado.** Peças grandes podem curvar-se devido ao próprio peso. A peça a ser trabalhada deve ser apoiada de ambos os lados, tanto nas proximidades do corte como também nos cantos.
- f) **Tenha extremamente cuidado ao efectuar „Cortes de bolso“ em paredes existentes ou em outras superfícies, onde não é possível reconhecer o que há por detrás.** O disco de corte pode causar um contra-golpe se cortar accidentalmente tubulações de gás ou de água, cabos eléctricos ou outros objectos.

5) INDICAÇÕES ESPECIAIS DE AVISO PARA LIXAR COM LIXA DE PAPEL

- a) **Não utilizar lixas de papel demasiado grandes, mas sempre seguir as indicações do fabricante sobre o tamanho correcto das lixas de papel.** Lixas de papel, que sobressaem dos cantos do prato abrasivo, podem causar lesões, assim como bloquear e rasgar as lixas de papel ou levar a um contra-golpe.
- ### 6) INDICAÇÕES ESPECIAIS DE AVISO PARA TRABALHAR COM ESCOVAS DE ARAME
- a) **Esteja ciente que a escova de arame também perde pedaços de arame durante a utilização normal. Não sobrecarregue os arames exercendo uma força de pressão demasiada.** Pedaços de arame a voar, podem penetrar facilmente em roupas finas e/ou na pele.
 - b) **Se for recomendável uma capa de protecção, deverá evitar que a escova de arame não entre em contacto com a capa de protecção.** O diâmetro das escovas em forma de prato ou de tacho pode aumentar devido à força de pressão e a forças centrífugas.

GENERAL

- Esta ferramenta não é aconselhada para rebarbar/cortar com água
- Utilize apenas os anéis fornecidos com a ferramenta
- Esta ferramenta não deve ser utilizada por pessoas menores de 16 anos
- **Desligue sempre a ficha da tomada antes de proceder a qualquer ajustamento ou troca de acessório**

ACESSÓRIOS

- A SKIL só pode garantir um funcionamento perfeito da ferramenta, quando utilizada com os acessórios originais
- **Utilize apenas discos de rebarbe/corte com uma espessura máxima de 8 mm e um diâmetro do orifício do veio de 22 mm**
- Para montar/usar acessórios de outras marcas que não sejam SKIL, respeite as instruções do respectivo fabricante
- Nunca utilize redutores ou adaptadores para montar discos de rebarbe/corte com um diâmetro de abertura grande
- Nunca utilize acessórios com uma abertura "fechada" de rosca inferior a M14 x 21 mm

UTILIZAÇÃO NO EXTERIOR

- Ligue a ferramenta utilizando um disjuntor de corrente de falha (FI) com uma corrente de disparo de 30 mA no máximo

ANTES DA UTILIZAÇÃO

- Recomenda-se que, antes de usar a ferramenta pela primeira vez, o utilizador receba informação prática
- Certifique-se sempre de que a tensão de alimentação está de acordo com a tensão indicada na placa de identificação da ferramenta (ferramentas com a indicação de 230V ou 240V também podem ser ligadas a uma fonte de 220V)
- Monte sempre a pega lateral E (2) e a protecção F (2); nunca utilize a ferramenta sem estes componentes
- **Utilizar detectores apropriados para detectar tubos e cabos de alimentação escondidos, ou consulte a firma de alimentação local** (o contacto com um cabo eléctrico pode levar a incêndio e choque eléctrico; a danificação de um cano de gás pode levar à explosão; a penetração de uma tubulação de água provoca danos materiais ou pode provocar um choque eléctrico)
- **Não processar material que contenha asbesto** (asbesto é considerado como sendo cancerígeno)
- O pó do material, como tinta com chumbo, algumas espécies de madeira, minerais e metais, pode ser prejudicial (contacto ou inalação do pó pode provocar reacções alérgicas e/ou doenças respiratórias ao operador ou às pessoas presentes); **use máscara respiratória e trabalhe com um dispositivo de extracção de pó quando ligado a**
- Determinados tipos de pó são classificados como substâncias cancerígenas (como pó de carvalho e faia), em especial, juntamente com aditivos para acondicionamento da madeira; **use máscara respiratória e trabalhe com um dispositivo de extracção de pó quando ligado a**
- Siga o regulamento nacional quanto a extração de pó, em função dos materiais que vão ser utilizados

- Tenha cuidado ao abrir ranhuras, especialmente em paredes de apoio (as aberturas em paredes de apoio estão sujeitas a regulamentações que variam de país para país; tais regulamentações deverão ser respeitadas em todas as circunstâncias)
- **Fixe a peça de trabalho** (uma peça de trabalho fixa com dispositivos de fixação ou num torno fica melhor fixa do que manualmente)
- Não fixe a ferramenta num torno
- Utilize extensões completamente desenroladas e seguras, com uma capacidade de 16 Amp

DURANTE A UTILIZAÇÃO

- Caso o fio for danificado ou cortado durante o trabalho, não toque no fio, mas tire imediatamente a ficha da tomada
- Não utilizar ferramenta caso o fio esteja danificado; mandando-o substituir por pessoal qualificado
- Em caso de anomalias eléctricas ou mecânicas, desligue imediatamente a ferramenta e tire a ficha da tomada
- Em caso de interrupção na corrente ou se a ficha for retirada da tomada por engano, destrave imediatamente o interruptor on/off H (2) por forma a impedir que a ferramenta volte a arrancar descontroladamente

APÓS A UTILIZAÇÃO

- Depois de desligar a ferramenta, nunca páre a rotação do acessório exercendo força lateral sobre o mesmo

MANUSEAMENTO

- Montagem de acessórios (2)
 - ! **desligar a ferramenta da fonte de corrente**
 - limpe o veio A e todas as peças que vão ser montadas
 - aperte o anel B com a chave de porcas C ao mesmo tempo que carrega no botão de fecho do veio D
 - ! **carregue no botão de fecho do veio D apenas quando o veio A estiver parado**
 - para a desmontagem de acessórios, proceda ao contrário
 - ! **os discos de rebarbe/corte aquecem muito durante a utilização; não toque nos discos antes que eles arrefeçam**
 - ! **monte sempre o bloco de apoio quando utilizar acessórios de lixagem**
 - ! **nunca utilize um disco de rebarbe/corte sem a etiqueta que lhe está colada (se fornecida)**
- Montagem do pega lateral E (6)
 - ! **desligar a ferramenta da fonte de corrente**
 - aparafuse a pega lateral E do lado direito, topo ou do lado esquerdo da ferramenta (dependendo do trabalho que vá efectuar)
- Remoção/montagem/regulação da protecção F (7)
 - ! **desligar a ferramenta da fonte de corrente**
 - ! **ecertifique-se de que o lado fechado da protecção fica sempre voltado para o operador**
- Antes de utilizar a ferramenta
 - assegure-se que o acessório está correctamente montado e apertado com firmeza
 - verifique que o acessório gira livremente rodando-o com a mão
 - ligue a ferramenta em vazio durante pelo menos 30 segundos na rotação máxima e numa posição de segurança

- desligue imediatamente a ferramenta em caso de vibração excessiva ou outros defeitos de funcionamento, e verifique a causa do sucedido
- Interruptor On/Off de travagem H ⑧
 - ligar a ferramenta ⑧a
 - ! **tenha cuidado com o impacto subitito que a ligação origina**
 - ! **a ferramenta deverá trabalhar na velocidade máxima antes de alcançar a peça a trabalhar**
 - travar o interruptor ⑧b
 - destravar o interruptor/desligar a ferramenta ⑧c
 - ! **antes de desligar a ferramenta, deve levantá-la da peça de trabalho**
 - ! **o acessório continua a sua rotação durante um curto período de tempo, mesmo depois de a ferramenta já ter sido desligada**
- Rebarbar ⑨
 - desloque a ferramenta para trás e para a frente utilizando uma pressão moderada
 - ! **nunca utilize um disco de corte para rebarbe lateral**
- Cortar ⑩
 - não incline a ferramenta durante o corte
 - desloque sempre a ferramenta na direcção da seta que se encontra na cabeça da mesma, para impedir que a ferramenta seja empurrada para fora do ponto de corte de forma descontrolada
 - não aplique pressão na ferramenta; deixe que a velocidade do disco de corte faça o trabalho
 - a velocidade de trabalho do disco de corte depende do material que está a ser cortado
 - não trave os discos de corte exercendo pressão lateral
- Segurar e guiar a ferramenta
 - segure sempre a ferramenta com firmeza utilizando ambas as mãos, por forma a ter sempre o controlo total da ferramenta
 - ! **durante o trabalho, segure sempre a ferramenta na(s) área(s) de fixação cinzenta(s) ⑩**
 - mantenha uma posição estável
 - tome atenção à direcção da rotação; segure sempre a ferramenta por forma a que as faíscas e a limalha ou o pó saltem na direcção contrária à do corpo
 - mantenha as aberturas de ventilação J ② destapadas

CONSELHOS DE APLICAÇÃO

- Em vez do anel B ② pode ser usada a porca de tensão rápida "CLIC" (acessório SKIL 2610388766); os discos de rebarbe/corte podem então ser montados sem a utilização de chaves acessórias
- Para mais sugestões consulte www.skil.com

MANUTENÇÃO / SERVIÇO

- Esta ferramenta não se destina a utilização profissional
- Mantenha a ferramenta e o fio sempre limpos (especialmente as ranhuras de respiração J ②)
 - ! **evitar utilizar objectos pontiagudos na limpeza das ranhuras de respiração**
 - ! **desligar a ferramenta da fonte de corrente antes de limpar**

- Se a ferramenta falhar apesar de cuidadosos processos de fabricação e de teste, a reparação deverá ser executada por uma oficina de serviço autorizada para ferramentas eléctricas SKIL
 - envie a ferramenta **sem desmontar**, juntamente com a prova de compra, para o seu revendedor ou para o centro de assistência SKIL mais próximo (os endereços assim como a mapa de peças da ferramenta estão mencionados no www.skil.com)

AMBIENTE

- **Não deite ferramentas eléctricas, acessórios e embalagem no lixo doméstico** (apenas para países da UE)
 - de acordo com a directiva europeia 2002/96/CE sobre ferramentas eléctricas e electrónicas usadas e a transposição para as leis nacionais, as ferramentas eléctricas usadas devem ser recolhidas em separado e encaminhadas a uma instalação de reciclagem dos materiais ecológica
 - símbolo ⑫ lhe avisará em caso de necessidade de arranjar-las

DECLARAÇÃO DE CONFORMIDADE CE

- Declaramos sob nossa exclusiva responsabilidade que o produto descrito em "Dados técnicos" cumpre as seguintes normas ou documentos normativos: EN 60745, EN 61000, EN 55014, conforme as disposições das directivas 2004/108/CE, 2006/42/CE, 2011/65/UE
- **Processo técnico em:** SKIL Europe BV (PT-SEU/ENG1), 4825 BD Breda, NL

Marijn van der Hoofden
Operations & Engineering

Olaf Dijkgraaf
Approval Manager

SKIL Europe BV, 4825 BD Breda, NL

05.08.2013

RUIDO/VIBRAÇÕES

- Medido segundo EN 60745 o nível de pressão acústica desta ferramenta é 90 dB(A) e o nível de potência acústica 101 dB(A) (espaço de erro: 3 dB), e a vibração
 - * m/s² (método braço-mão; incerteza K = 1,5 m/s²)
 - * durante o rebarbe das superfícies 8,1 m/s²
 - * durante a lixage 6,2 m/s²
 - ! **outras aplicações (tais como cortar o trabalhar com escovas de arame) podem ter diferentes valores de vibração**
- O nível de emissão de vibrações foi medido de acordo com um teste normalizado fornecido na EN 60745; pode ser utilizado para comparar uma ferramenta com outra e como uma avaliação preliminar de exposição à vibração quando utilizar a ferramenta para as aplicações mencionadas
 - utilizar a ferramenta para diferentes aplicações ou com acessórios diferentes ou mantidos

deficientemente, pode **umentar** significativamente o nível de exposição

- o número de vezes que a ferramenta é desligada ou quando estiver a trabalhar sem fazer nada, pode **reduzir** significativamente o nível de exposição
- ! proteja-se contra os efeitos da vibração, mantendo a ferramenta e os acessórios, mantendo as mãos quentes e organizando os padrões de trabalho**

I

Smerigliatrice angolare

9176

INTRODUZIONE

- Questo utensile serve per smerigliare, tagliare e per sbavare materiali di metallo e di pietra senza l'uso di acqua; con gli appropriati accessori l'utensile può essere usato anche per spazzolare e sabbiare
- Questo utensile non è inteso per un uso professionale
- **Le operazioni di taglio con mole in abrasivo rigido possono essere eseguite solo utilizzando una protezione di taglio (disponibile come accessorio opzionale SKIL 2610399439)**
- Leggete e conservate questo manuale di istruzione ③

DATI TECNICI ①

ELEMENTI UTENSILE ②

- A Albero
- B Flangia di bloccaggio
- C Chiave
- D Tasto di bloccaggio dell'albero
- E Impugnatura ausiliaria
- F Riparo di protezione
- G Flangia di montaggio
- H Interruttore on/off di bloccaggio
- J Feritoie di ventilazione

SICUREZZA

ISTRUZIONI GENERALI DI SICUREZZA

⚠ ATTENZIONE! Leggere tutte le avvertenze di pericolo e le istruzioni operative. In caso di mancato rispetto delle avvertenze di pericolo e delle istruzioni operative si potrà creare il pericolo di scosse elettriche, incendi e/o incidenti gravi. **Conservare tutte le avvertenze di pericolo e le istruzioni operative per ogni esigenza futura.** Il termine "elettroutensile" utilizzato nelle avvertenze di pericolo si riferisce ad utensili elettrici alimentati dalla rete (con linea di allacciamento) ed ad utensili elettrici alimentati a batteria (senza linea di allacciamento).

1) SICUREZZA DELLA POSTAZIONE DI LAVORO

- Mantenere pulito ed ordinato il posto di lavoro.** Il disordine o le zone di lavoro non illuminate possono essere fonte di incidenti.
- Evitare d'impiegare l'utensile in ambienti soggetti al rischio di esplosioni nei quali si trovino liquidi, gas**

o polveri infiammabili. Gli utensili elettrici producono scintille che possono far infiammare la polvere o i gas.

- Mantenere lontani i bambini ed altre persone durante l'impiego dell'utensile elettrico.** Eventuali distrazioni potranno comportare la perdita del controllo sull'utensile.

2) SICUREZZA ELETTRICA

- La spina per la presa di corrente dovrà essere adatta alla presa. Evitare assolutamente di apportare modifiche alla spina. Non impiegare spine adattatrici assieme ad utensili con collegamento a terra.** Le spine non modificate e le prese adatte allo scopo riducono il rischio di scosse elettriche.
- Evitare il contatto fisico con superfici collegate a terra, come tubi, riscaldamenti, cucine elettriche e frigoriferi.** Sussiste un maggior rischio di scosse elettriche nel momento in cui il corpo è messo a massa.
- Custodire l'utensile al riparo dalla pioggia o dall'umidità.** L'eventuale infiltrazione di acqua in un utensile elettrico va ad aumentare il rischio d'insorgenza di scosse elettriche.
- Non usare il cavo per scopi diversi da quelli previsti al fine di trasportare o appendere l'utensile, oppure di togliere la spina dalla presa di corrente. Mantenere l'utensile al riparo da fonti di calore, dall'olio, dagli spigoli o da pezzi in movimento.** I cavi danneggiati o aggrovigliati aumentano il rischio d'insorgenza di scosse elettriche.
- Qualora si voglia usare l'utensile all'aperto, impiegare solo ed esclusivamente cavi di prolunga omologati per l'impiego all'esterno.** L'uso di un cavo di prolunga omologato per l'impiego all'esterno riduce il rischio d'insorgenza di scosse elettriche.
- Qualora non fosse possibile evitare di utilizzare l'utensile in ambiente umido, utilizzare un interruttore di messa a terra.** L'uso di un interruttore di messa a terra riduce il rischio di una scossa elettrica.

3) SICUREZZA DELLE PERSONE

- È importante concentrarsi su ciò che si sta facendo e a maneggiare con giudizio l'utensile durante le operazioni di lavoro. Non utilizzare l'utensile in caso di stanchezza o sotto l'effetto di droghe, bevande alcoliche e medicinali.** Un attimo di distrazione durante l'uso dell'utensile potrà causare lesioni gravi.
- Indossare sempre equipaggiamento protettivo individuale. Usare sempre protezioni per gli occhi.** Se si avrà cura d'indossare equipaggiamento protettivo individuale come la maschera antipolvere, la calzatura antistrucchiolevole di sicurezza, il casco protettivo o la protezione dell'udito, a seconda dell'impiego previsto per l'utensile elettrico, si potrà ridurre il rischio di ferite.
- Evitare l'accensione involontaria dell'utensile. Prima di collegarlo alla rete di alimentazione elettrica e/o alla batteria ricaricabile, prima di prenderlo oppure prima di iniziare a trasportarlo, assicurarsi che l'utensile sia spento.** Tenendo il dito sopra l'interruttore mentre si trasporta l'utensile oppure collegandolo all'alimentazione di corrente con l'interruttore inserito, si vengono a creare situazioni pericolose in cui possono verificarsi seri incidenti.
- Togliere gli attrezzi di regolazione o la chiave inglese prima di accendere l'utensile.** Un utensile o

una chiave inglese che si trovino in una parte dell'utensile in rotazione potranno causare lesioni.

- e) **È importante non sopravvalutarsi. Avere cura di metterli in posizione sicura e di mantenere l'equilibrio.** In tale maniera sarà possibile controllare meglio l'utensile in situazioni inaspettate.
 - f) **Indossare vestiti adeguati. Evitare di indossare vestiti lenti o gioielli. Tenere i capelli, i vestiti ed i guanti lontani da pezzi in movimento.** Vestiti lenti, gioielli o capelli lunghi potranno impigliarsi in pezzi in movimento.
 - g) **Se sussiste la possibilità di montare dispositivi di aspirazione o di captazione della polvere, assicurarsi che gli stessi siano stati installati correttamente e vengano utilizzati senza errori.** L'utilizzo di un'aspirazione polvere può ridurre lo svilupparsi di situazioni pericolose dovute alla polvere.
- #### 4) MANEGGIO ED IMPIEGO ACCURATO DI UTENSILI ELETTRICI
- a) **Non sovraccaricare l'utensile. Impiegare l'utensile elettrico adatto per sbrigare il lavoro.** Utilizzando l'utensile elettrico adatto si potrà lavorare meglio e con maggior sicurezza nell'ambito della gamma di potenza indicata.
 - b) **Non utilizzare utensili elettrici con interruttori difettosi.** Un utensile elettrico che non si può più accendere o spegnere è pericoloso e dovrà essere riparato.
 - c) **Prima di procedere ad operazioni di regolazione sull'utensile, prima di sostituire parti accessorie oppure prima di posare l'utensile al termine di un lavoro, estrarre sempre la spina dalla presa della corrente e/o estrarre la batteria ricaricabile.** Tale precauzione eviterà che l'utensile possa essere messo in funzione inavvertitamente.
 - d) **Custodire gli utensili elettrici non utilizzati al di fuori della portata dei bambini. Non fare usare l'utensile a persone che non sono abituate ad usarlo o che non abbiano letto le presenti istruzioni.** Gli utensili elettrici sono pericolosi se utilizzati da persone inesperte.
 - e) **Effettuare accuratamente la manutenzione dell'utensile. Verificare che le parti mobili dell'utensile funzionino perfettamente e non s'incastrino, che non ci siano pezzi rotti o danneggiati al punto tale da limitare la funzione dell'utensile stesso. Far riparare le parti danneggiate prima d'impiegare l'utensile.** Numerosi incidenti vengono causati da utensili elettrici la cui manutenzione è stata effettuata poco accuratamente.
 - f) **Mantenere affilati e puliti gli utensili da taglio.** Gli utensili da taglio curati con particolare attenzione e con taglienti affilati s'incastrano meno frequentemente e sono più facili da condurre.
 - g) **Utilizzare utensili elettrici, accessori, attrezzi, ecc. in conformità con le presenti istruzioni. Osservare le condizioni di lavoro ed il lavoro da eseguirsi durante l'impiego.** L'impiego di utensili elettrici per usi diversi da quelli consentiti potrà dar luogo a situazioni di pericolo.
- #### 5) ASSISTENZA
- a) **Fare riparare l'utensile solo ed esclusivamente da personale specializzato e solo impiegando pezzi di**

ricambio originali. In tale maniera potrà essere salvaguardata la sicurezza dell'utensile.

ISTRUZIONI DI SICUREZZA PER SMERIGLIATRICI ANGLORARI

1) ISTRUZIONI DI SICUREZZA PER TUTTE LE APPLICAZIONI

- a) **Questo elettroutensile è previsto per essere utilizzato come levigatrice, levigatrice per carta a vetro, spazzola metallica, e troncatrice. Attenersi a tutte le avvertenze di pericolo, istruzioni, rappresentazioni e dati che si ricevono insieme all'elettroutensile.** In caso di mancata osservanza delle seguenti istruzioni vi è il pericolo di provocare una scossa elettrica, di sviluppare incendi e/o di provocare seri incidenti.
- b) **Questo elettroutensile non è consigliato per operazioni di lucidatura.** Qualsiasi operazione per la quale l'utensile non è stato concepito, potrebbe creare un pericolo e causare delle lesioni alla persona.
- c) **Non utilizzare nessun accessorio che la casa costruttrice non abbia esplicitamente previsto e raccomandato per questo elettroutensile.** Il semplice fatto che un accessorio possa essere fissato al Vostro elettroutensile non è una garanzia per un impiego sicuro.
- d) **Il numero di giri ammesso dell'accessorio impiegato deve essere almeno tanto alto quanto il numero massimo di giri riportato sull'elettroutensile.** Un accessorio che giri più rapidamente di quanto consentito può essere danneggiato.
- e) **Il diametro esterno e lo spessore dell'accessorio montato devono corrispondere ai dati delle dimensioni dell'elettroutensile in dotazione.** In caso di utilizzo di portautensili e di accessori di dimensioni sbagliate non sarà possibile schermarli oppure controllarli a sufficienza.
- f) **Accessori con filetto riportato devono essere adatti in modo preciso alla filettatura dell'alberino. Negli accessori che vengono montati tramite flangia, il diametro del foro dell'accessorio deve corrispondere al diametro di alloggiamento della flangia.** Accessori che non vengono fissati in modo preciso all'elettroutensile non ruotano in modo uniforme, vibrano molto forte e possono provocare la perdita del controllo.
- g) **Non utilizzare mai portautensili od accessori danneggiati.** Prima di ogni utilizzo controllare i portautensili e gli accessori ed accertarsi che sui dischi abrasivi non vi siano scheggiature o crepature, che il platello non sia soggetto ad incrinature, crepature o forte usura e che le spazzole metalliche non abbiano fili metallici allentati oppure rotti. Se l'elettroutensile oppure l'accessorio impiegato dovesse sfuggire dalla mano e cadere, accertarsi che questo non abbia subito nessun danno oppure utilizzare un accessorio intatto. Una volta controllato e montato il portautensile o accessorio, far funzionare l'elettroutensile per la durata di un minuto con il numero massimo di giri avendo cura di tenersi lontani e di impedire anche ad altre persone presenti di avvicinarsi al portautensile o accessorio

in rotazione. Nella maggior parte dei casi i portautensili o accessori danneggiati si rompono nel corso di questo periodo di prova.

- h) **Indossare abbigliamento di protezione ④. A seconda dell'applicazione in corso utilizzare una visiera completa, maschera di protezione per gli occhi oppure occhiali di sicurezza. Per quanto necessario, portare maschere per polveri, protezione acustica, guanti di protezione oppure un grembiule speciale in grado di proteggervi da piccole particelle di levigatura o di materiale.** Gli occhi dovrebbero essere protetti da corpi estranei scaraventati per l'aria nel corso di diverse applicazioni. La maschera antipolvere e la maschera respiratoria devono essere in grado di filtrare la polvere provocata durante l'applicazione. Esponendosi per lungo tempo ad un rumore troppo forte vi è il pericolo di perdere l'udito.
- i) **Avere cura di evitare che altre persone possano avvicinarsi alla zona in cui si sta lavorando. Ogni persona che entra nella zona di operazione deve indossare un abbigliamento protettivo personale.** Frammenti del pezzo in lavorazione oppure utensili rotti possono volar via oppure provocare incidenti anche al di fuori della zona diretta di lavoro.
- j) **Tenere l'elettrotensile sempre per le superfici isolate dell'impugnatura qualora venissero effettuati lavori durante i quali l'accessorio potrebbe venire a contatto con cavi elettrici nascosti oppure con il proprio cavo di rete.** Il contatto con un cavo sotto tensione può mettere sotto tensione anche parti metalliche dell'utensile, causando una scossa elettrica.
- k) **Tenere il cavo di collegamento elettrico sempre lontano da portautensili o accessori in rotazione.** Se si perde il controllo sull'elettrotensile vi è il pericolo di troncare o di colpire il cavo di collegamento elettrico e la Vostra mano o braccio può arrivare a toccare il portautensili o accessorio in rotazione.
- l) **Mai poggiare l'elettrotensile prima che il portautensili o l'accessorio impiegato non si sia fermato completamente.** L'utensile in rotazione può entrare in contatto con la superficie di appoggio facendo Vi perdere il controllo sull'elettrotensile
- m) **Mai trasportare l'elettrotensile mentre questo dovesse essere ancora in funzione.** Attraverso un contatto casuale l'utensile in rotazione potrebbe fare presa sugli indumenti oppure sui capelli dell'operatore e potrebbe arrivare a ferire seriamente il corpo dell'operatore.
- n) **Pulire regolarmente le feritoie di ventilazione dell'elettrotensile in dotazione.** Il ventilatore del motore attira polvere nella carcassa ed una forte raccolta di polvere di metallo può provocare pericoli di origine elettrica.
- o) **Non utilizzare mai l'elettrotensile nelle vicinanze di materiali infiammabili.** Le scintille possono far prendere fuoco questi materiali.
- p) **Non utilizzare mai accessori che richiedano refrigeranti liquidi.** L'utilizzo di acqua o di altri liquidi refrigeranti può provocare una scossa di corrente elettrica.

2) CONTRACCOLPO E RELATIVE AVVERTENZE DI PERICOLO

- Un contraccolpo è l'improvvisa reazione in seguito ad agganciamento oppure blocco di accessorio in rotazione come può essere un disco abrasivo, platorello, spazzola metallica ecc.. Agganciandosi oppure bloccandosi il portautensili o accessorio provoca un arresto improvviso della rotazione dello stesso. In questo caso l'operatore non è più in grado di controllare l'elettrotensile ed al punto di blocco si provoca un rimbalzo dello stesso che avviene nella direzione opposta a quella della rotazione del portautensili o dell'accessorio.
 - Se p.es. un disco abrasivo resta agganciato o bloccato nel pezzo in lavorazione, il bordo del disco abrasivo che si abbassa nel pezzo in lavorazione può rimanere impigliato provocando in questo modo una rottura oppure un contraccolpo del disco abrasivo. Il disco abrasivo si avvicina o si allontana dall'operatore a seconda della direzione di rotazione che ha nel momento in cui si blocca. In tali situazioni è possibile che le mole abrasive possano anche rompersi.
 - Un contraccolpo è la conseguenza di un utilizzo non appropriato oppure non corretto dell'elettrotensile. Esso può essere evitato soltanto prendendo misure adatte di sicurezza come dalla descrizione che segue.
- a) **Tenere sempre ben saldo l'elettrotensile e portare il proprio corpo e le proprie braccia in una posizione che Vi permetta di compensare le forze di contraccolpo. Se disponibile, utilizzare sempre l'impugnatura supplementare in modo da poter avere sempre il maggior controllo possibile su forze di contraccolpo oppure momenti di reazione che si sviluppano durante la fase in cui la macchina raggiunge il regime di pieno carico.** Prendendo appropriate misure di precauzione l'operatore può essere in grado di tenere sotto controllo le forze di contraccolpo e quelle di reazione a scatti.
- b) **Mai avvicinare la propria mano alla zona degli utensili in rotazione.** Nel corso dell'azione di contraccolpo il portautensili o accessorio potrebbe passare sulla Vostra mano.
- c) **Evitare di avvicinarsi con il proprio corpo alla zona in cui l'elettrotensile viene mosso in caso di un contraccolpo.** Un contraccolpo provoca uno spostamento improvviso dell'elettrotensile che si sviluppa nella direzione opposta a quella della rotazione della mola abrasiva al punto di blocco.
- d) **Operare con particolare attenzione in prossimità di spigoli, spigoli tagliati ecc.. Avere cura di impedire che portautensili o accessori possano rimbalzare dal pezzo in lavorazione oppure possano rimanervi bloccati.** L'utensile in rotazione ha la tendenza a rimanere bloccato in angoli, spigoli tagliati oppure in caso di rimbalzo. Ciò provoca una perdita del controllo oppure un contraccolpo.
- e) **Non utilizzare seghe a catena e neppure lame dentellate.** Questo tipo di accessori provocano spesso un contraccolpo oppure la perdita del controllo sull'elettrotensile.

3) AVVISI DI SICUREZZA SPECIFICI PER LE OPERAZIONI DI SMERIGLIATURA E DI TRONCATURA ABRASIVA

a) **Utilizzare esclusivamente utensili abrasivi che siano esplicitamente ammessi per l'elettrotensile in dotazione e sempre in combinazione con la calotta di protezione prevista per ogni utensile abrasivo.**

Utensili abrasivi che non sono previsti per l'elettrotensile non possono essere sufficientemente schermati e sono insicuri.

b) **Dischi abrasivi piegati a gomito devono essere montati in modo tale che la loro superficie abrasiva non sporga oltre il piano del bordo della cuffia di protezione.** Un disco abrasivo montato in modo non corretto che sporge dal piano del bordo della cuffia di protezione non può essere schermato sufficientemente.

c) **La calotta di protezione deve essere applicata con sicurezza all'elettrotensile e regolata in modo tale da poter garantire il massimo possibile di sicurezza, cioè, che la parte dell'utensile abrasivo che senza protezione indica verso l'operatore deve essere ridotta al minimo possibile.** La calotta di protezione ha il compito di proteggere l'operatore da frammenti, contatto accidentale con l'utensile abrasivo e scintille che possono incendiare gli abiti.

d) **Utensili abrasivi possono essere utilizzati esclusivamente per le possibilità applicative esplicitamente raccomandate.** P.es.: Mai eseguire lavori di levigatura con la superficie laterale di un disco abrasivo da taglio diritto. Mole abrasive da taglio diritto sono previste per l'asportazione di materiale con il bordo del disco. Esercitando dei carichi laterali su questi utensili abrasivi vi è il pericolo di romperli.

e) **Per la mola abrasiva selezionata, utilizzare sempre flange di serraggio che siano in perfetto stato e che siano della corretta dimensione e forma.** Flange adatte hanno una funzione di corretto supporto della mola abrasiva riducendo il più possibile il pericolo di una rottura della mola abrasiva. È possibile che vi sia una differenza tra flange per mole abrasive da taglio diritto e flange per mole abrasive di altro tipo.

f) **Non utilizzare mai mole abrasive usurate previste per elettrotensili più grandi.** Mole abrasive previste per elettrotensili più grandi non sono concepite per le maggiori velocità di elettrotensili più piccoli e possono rompersi.

4) ULTERIORI AVVERTENZE DI PERICOLO SPECIFICHE PER LAVORI DI TRONCATURA

a) **Evitare di far bloccare il disco abrasivo da taglio diritto oppure di esercitare una pressione troppo alta. Non eseguire tagli eccessivamente profondi.** Sottoponendo la mola da taglio diritto a carico eccessivo se ne aumenta la sollecitazione e la si rende maggiormente soggetta ad angolature improprie o a blocchi venendo così a creare il pericolo di contraccolpo oppure di rottura dell'utensile abrasivo.

b) **Evitare di avvicinarsi alla zona anteriore o posteriore al disco abrasivo da taglio in rotazione.** Quando l'operatore manovra la mola da taglio diritto nel pezzo in lavorazione in direzione opposta a quella della propria persona, può capitare che in caso di un

contraccolpo il disco in rotazione faccia rimbalzare con violenza l'elettrotensile verso l'operatore.

c) **Qualora il disco abrasivo da taglio diritto dovesse incepparsi oppure si dovesse interrompere il lavoro, spegnere l'elettrotensile e tenerlo fermo fino a quando il disco si sarà fermato completamente. Non tentare mai di estrarre il disco abrasivo dal taglio in esecuzione perché si potrebbe provocare un contraccolpo.** Rilevare ed eliminare la causa per il blocco.

d) **Mai rimettere l'elettrotensile in funzione fintanto che esso si trovi ancora nel pezzo in lavorazione. Prima di continuare ad eseguire il taglio procedendo con la dovuta attenzione, attendere che il disco abrasivo da taglio diritto abbia raggiunto la massima velocità.** In caso contrario è possibile che il disco resti agganciato, sbalzi dal pezzo in lavorazione oppure provochi un contraccolpo.

e) **Dotare di un supporto adatto pannelli oppure pezzi in lavorazione di dimensioni maggiori in modo da ridurre il rischio di un contraccolpo dovuto ad un disco abrasivo da taglio diritto che rimane bloccato.** Pezzi in lavorazione di dimensioni maggiori possono piegarsi sotto l'effetto del proprio peso. Provvedere a munire il pezzo in lavorazione di supporti adatti al caso specifico sia nelle vicinanze del taglio di troncatura che in quelle del bordo.

f) **Operare con particolare attenzione in caso di «tagli dal centro» da eseguire in pareti già esistenti oppure in altre parti non visibili.** Il disco abrasivo da taglio diritto che inizia il taglio sul materiale può provocare un contraccolpo se dovesse arrivare a troncare condutture del gas o dell'acqua, linee elettriche oppure oggetti di altro tipo.

5) AVVERTENZE DI PERICOLO SPECIFICHE PER LAVORI DI LEVIGATURA CON CARTA VETRO

a) **Non utilizzare mai fogli abrasivi troppo grandi ma attenersi alle indicazioni del rispettivo produttore relative alle dimensioni dei fogli abrasivi.** Fogli abrasivi che dovessero sporgere oltre il platorello possono provocare incidenti oppure blocchi, strappi dei fogli abrasivi oppure contraccolpi.

6) AVVERTENZE DI PERICOLO SPECIFICHE PER LAVORI CON SPAZZOLE METALLICHE

a) **Tenere presente che la spazzola metallica perde pezzi di fil di ferro anche durante il comune impiego. Non sottoporre i fili metallici a carico troppo elevato esercitando una pressione troppo alta.** Pezzi di fil di ferro scaraventati per l'aria possono penetrare molto facilmente attraverso indumenti sottili e/o la pelle.

b) **Impiegando una calotta di protezione si impedisce che la calotta di protezione e la spazzola metallica possano toccarsi.** I diametri delle spazzole a disco e delle spazzole a tazza possono essere aumentati attraverso forze di pressione e tramite l'azione di forze centrifugali.

NOTE GENERALI

- Quest'utensile non può smerigliare/tagliare con acqua
- Usare solamente le flange fornite con questo utensile
- Questo utensile non dev'essere utilizzato da persone di età inferiore ai 16 anni

- **Staccate sempre la spina dell'utensile prima di effettuare regolazioni o cambiare gli accessori**

ACCESSORI

- La SKIL garantisce un perfetto funzionamento dell'utensile soltanto se vengono utilizzati accessori originali
- **Utilizzare soltanto mole da smeriglio/taglio con uno spessore massimo di 8 mm e un diametro del foro dell'albero di 22 mm**
- Per il montaggio/uso di accessori non di produzione SKIL, osservare le istruzioni del fabbricante interessato
- Non usare mai riduttori/adattatori per adattarli su mole da smeriglio/taglio di foro più grande
- Non usare mai accessori con un foro "cieco" filettato di dimensione inferiore a M14 x 21 mm

USO ALL'ESTERNO

- Collegare l'utensile attraverso un interruttore automatico di corrente (FI) con una corrente di scatto di 30 mA massimo

PRIMA DELL'USO

- Prima di usare l'utensile per la prima volta, si raccomanda di ricevere istruzioni pratiche
- Controllare che la tensione dell'alimentazione sia la stessa di quella indicata sulla targhetta dell'utensile (gli utensili con l'indicazione di 230V o 240V possono essere collegati anche alla rete di 220V)
- Montare sempre l'impugnatura ausiliaria E ② ed il riparo di protezione F ②; non usare mai l'utensile senza di questi
- **Al fine di rilevare possibili linee di alimentazione nascoste, utilizzare adeguate apparecchiature di ricerca oppure rivolgersi alla locale società erogatrice** (un contatto con linee elettriche può provocare lo sviluppo di incendi e di scosse elettriche; danneggiando linee del gas si può creare il pericolo di esplosioni; penetrando una tubazione dell'acqua si provocano seri danni materiali oppure vi è il pericolo di provocare una scossa elettrica)
- **Non lavorare mai materiali contenenti amianto** (l'amianto è ritenuto materiale cancerogeno)
- Le polveri di materiali come vernici contenenti piombo, alcune specie di legno, minerali e metallo possono essere nocive (il contatto con queste polveri o la loro inalazione possono causare reazioni allergiche e/o disturbi respiratori all'operatore o ad altre persone presenti sul posto); **indossare una maschera protettiva per la polvere e utilizzare un dispositivo per l'estrazione della polvere se è presente una presa di collegamento**
- Alcuni tipi di polvere sono classificati come cancerogeni (quali le polveri di quercia e faggio) specialmente se associate ad additivi per il trattamento del legno; **indossare una maschera protettiva per la polvere e utilizzare un dispositivo per l'estrazione della polvere se è presente una presa di collegamento**
- Rispettare le istruzioni nazionali riguardanti l'estrazione della polvere per i materiali in lavorazione
- Fare attenzione quando si tagliano delle scanalature, specialmente su muri di supporto (scanalature nei muri di supporto sono soggette a regolamenti specifici del paese; questi regolamenti devono essere osservati in tutte le circostanze)

- **Fissare il pezzo da lavorare** (un pezzo in lavorazione rimane bloccato in posizione con maggiore sicurezza se fissato con appositi dispositivi di serraggio o con una morsa e non tenendolo con la mano)
- Non serrare l'utensile in una morsa
- Usare cavi di prolunga completamente srotolati e sicure con una capacità di 16 Amp

DURANTE L'USO

- Se durante un'operazione di lavoro viene danneggiato oppure troncato il cavo, non toccare il cavo ma estrarre immediatamente la spina dalla presa
- Non usare l'utensile quando il cavo è danneggiato; farlo sostituire da personale qualificato
- Nel caso di cattivo funzionamento elettrico o meccanico, dispendere subito l'utensile e staccate la spina
- In caso di mancata corrente oppure quando la spina viene tirata fuori accidentalmente, sbloccare immediatamente l'interruttore on/off H ② onde impedire riavvio incontrollato

DOPO L'USO

- Dopo aver spento l'utensile, non arrestare mai la rotazione dell'accessorio applicandovi una forza laterale

USO

- Montaggio degli accessori ②
 - ! **estrarre la spina dalla presa**
 - pulire l'albero A e tutte le parti che si devono montare
 - serrare la flangia B di bloccaggio con la chiave C mentre si spinge il tasto D di bloccaggio dell'albero
 - ! **spinger il tasto D di bloccaggio dell'albero solo quando l'albero A è fermo**
 - per smontare gli accessori invertire la procedura
 - ! **le mole da smeriglio/taglio si riscaldano molto durante l'uso; non toccarle fino a quando non siano raffreddate**
 - ! **montare sempre il tampone di supporto quando si usano accessori di sabbatura**
 - ! **non usare mai la mola da smeriglio/taglio senza l'etichetta che è incollata su di essa (se disponibile)**
- Montaggio dell'impugnatura ausiliaria E ⑥
 - ! **estrarre la spina dalla presa**
 - avvitare l'impugnatura ausiliaria E sul lato destro, superiore o sinistro dell'utensile (a seconda del lavoro da effettuare)
- Rimozione/montaggio/regolazione del riparo di protezione F ⑦
 - ! **estrarre la spina dalla presa**
 - ! **assicurarsi che il lato chiuso del riparo di protezione sia sempre rivolto verso l'operatore**
- Prima di utilizzare l'utensile
 - assicurarsi che l'accessorio sia montato correttamente e fissato saldamente
 - controllate che l'accessorio giri liberamente, facendolo ruotare con la mano
 - fare girare a vuoto l'utensile per almeno 30 secondi alla velocità massima in una posizione sicura
 - arrestare immediatamente in caso di forti vibrazioni o altri difetti e cercare di determinare la causa

- Interruttore on/off di bloccaggio H ⑧
 - attivate l'utensile ⑧a
 - ! **attenzione all'impatto improvviso provocato dall'attivazione dell'utensile**
 - ! **prima che l'accessorio raggiunga il pezzo in lavorazione, l'utensile deve girare a piena velocità**
 - bloccare l'interruttore ⑧b
 - sbloccare l'interruttore/disattivare l'utensile ⑧c
 - ! **prima di spegnere l'utensile, dovreste sollevarlo dal pezzo di lavorazione**
 - ! **l'accessorio continua a ruotare per un certo tempo dopo che l'utensile è stato spento**
- Smerigliatura ⑨
 - muovere l'utensile avanti ed indietro con moderata pressione
 - ! **non usare mai una mola da taglio per smeriglio laterale**
- Taglio ⑩
 - non inclinare l'utensile al taglio
 - muovere sempre l'utensile nella stessa direzione della freccia sulla testa dell'utensile, al fine di impedire che l'utensile venga spinto fuori dal taglio in modo non controllato
 - non applicare pressione sull'utensile; lasciare che la velocità della mola faccia il lavoro
 - la velocità di lavoro della mola da taglio dipende dal materiale da tagliare
 - non rompere le mole da taglio con pressione laterale
- Tenuta e guida dell'utensile
 - impugnare sempre l'utensile con entrambe le mani, in modo da averne completo controllo in qualsiasi momento
 - ! **durante la lavorazione, impugna l'utensile sempre in corrispondenza della(e) area(e) grigia(e) ⑪**
 - prevedere una posizione sicura
 - fare attenzione alla direzione di rotazione; mantenere sempre l'utensile in modo che scintille e polvere di smeriglio/taglio volano distante dal corpo
 - tenere scoperte le feritoie di ventilazione J ⑫

CONSIGLIO PRATICO

- Invece della flangia B ② "CLIC" si può usare la flangia di serraggio a rapido scatto (accessorio SKIL 2610388766); le mole da smeriglio/taglio possono quindi essere montate senza l'uso di chiavi accessorie
- Per altri consigli consultare il sito www.skil.com

MANUTENZIONE / ASSISTENZA

- Questo utensile non è inteso per un uso professionale
- Tenete sempre puliti utensile e cavo (soprattutto le feritoie di ventilazione J ⑫)
 - ! **non cercate di pulire inserendo oggetti nelle feritoie di ventilazione**
 - ! **prima di pulire estrarre la spina dalla presa**
- Se nonostante gli accurati procedimenti di produzione e di controllo l'utensile dovesse guastarsi, la riparazione va fatta effettuare da un punto di assistenza autorizzato per gli elettroutensili SKIL
 - inviare l'utensile **non smontato** assieme alle prove di acquisto al rivenditore oppure al più vicino centro assistenza SKIL (l'indirizzo ed il disegno delle parti di ricambio dell'utensile sono riportati su www.skil.com)

TUTELA DELL'AMBIENTE

- **Non gettare l'utensile elettrico, gli accessori e l'imballaggio tra i rifiuti domestici** (solo per paesi UE)
 - secondo la Direttiva Europea 2002/96/CE sui rifiuti di utensili elettrici ed elettronici e la sua attuazione in conformità alle norme nazionali, gli utensili elettrici esausti devono essere raccolti separatamente, al fine di essere reimpiagati in modo eco-compatibile
 - il simbolo ⑫ vi ricorderà questo fatto quando dovrete eliminarle

DICHIARAZIONE DEI CONFORMITÀ CE

- Assumendone la piena responsabilità, dichiariamo che il prodotto descritto nei "Dati tecnici" è conforme alle seguenti normative ed ai relativi documenti: EN 60745, EN 61000, EN 55014 in base alle prescrizioni delle direttive 2004/108/EG, 2006/42/EG, 2011/65/UE
- **Fascicolo tecnico presso:** SKIL Europe BV (PT-SEU/ENG1), 4825 BD Breda, NL

Marijn van der Hoofden
Operations & Engineering

Olaf Dijkgraaf
Approval Manager




SKIL Europe BV, 4825 BD Breda, NL

05.08.2013

RUMOROSITÀ/VIBRAZIONE

- Misurato in conformità al EN 60745 il livello di pressione acustica di questo utensile è 90 dB(A) ed il livello di potenza acustica 101 dB(A) (deviazione standard: 3 dB), e la vibrazione * m/s² (metodo mano-braccio; incertezza K = 1,5 m/s²)
 - * durante la smerigliatura della superficie 8,1 m/s²
 - * durante la levigatura 6,2 m/s²
 - ! **altre applicazioni (come il taglio o la spazzolatura) possono avere differenti valori di vibrazione**
- Il livello di emissione delle vibrazioni è stato misurato in conformità a un test standardizzato stabilito dalla norma EN 60745; questo valore può essere utilizzato per mettere a confronto un l'utensile con un altro o come valutazione preliminare di esposizione alla vibrazione quando si impiega l'utensile per le applicazioni menzionate
 - se si utilizza l'utensile per applicazioni diverse, oppure con accessori differenti o in scarse condizioni, il livello di esposizione potrebbe **augmentare** notevolmente
 - i momenti in cui l'utensile è spento oppure è in funzione ma non viene effettivamente utilizzato per il lavoro, possono contribuire a **ridurre** il livello di esposizione
 - ! **protegersi dagli effetti della vibrazione effettuando la manutenzione dell'utensile e dei relativi accessori, mantenendo le mani calde e organizzando i metodi di lavoro**

BEVEZETÉS

- Ez a szerszám gép fém- és kőanyagok víz használata nélküli csiszolására, vágására és sorjázására szolgál; a megfelelő tartozékokkal keféltre, dörzsfelületek drótkorongozásra és csiszolásra is használható
- A szerszám nem professzionális használatra készült
- **A kötött hasítókerékkel végzett műveletek csak (az opcionális 2610399439 SKIL tartozékként hozzáférhető) vágásvédő eszköz használatakor engedélyezettek**
- Olvassa el figyelmesen és őrizze meg a használati utasítást ③

MŰSZAKI ADATOK ①

SZERSZÁMGÉP ELEMEI ②

- A Tengely
- B Rögzítőgyűrű
- C Csavarkulcs
- D Elfordulás elleni gomb
- E Oldalfogantyú
- F Védőpajzs
- G Szerelőgyűrű
- H Biztonsági be/ki kapcsoló
- J Szellőzőnyílások

BIZTONSÁG

ÁLTALÁNOS BIZTONSÁGI ELŐÍRÁSOK

FIGYELEM! Olvassa el az összes biztonsági figyelmeztetést és előírást. A következőkben leírt előírások betartásának elmulasztása áramütésekhez, tüzhöz és/vagy súlyos testi sérülésekhez vezethet. **Kérjük a későbbi használatra gondosan őrizze meg ezeket az előírásokat.** Az alább alkalmazott elektromos kéziszerszám fogalom a hálózati elektromos kéziszerszámokat (hálózati csatlakozó kábelrel) és az akkumulátoros elektromos kéziszerszámokat (hálózati csatlakozó kábel nélkül) foglalja magában.

1) MUNKAHELYI BIZTONSÁG

- Tartsa tisztán és tartsa rendben a munkahelyét.** Rendetlen munkahelyek vagy megvilágítatlan munkaterületek balesetekhez vezethetnek.
- Ne dolgozzon az elektromos kéziszerszámmal olyan robbanásveszélyes környezetben, ahol éghető folyadékok, gázok vagy porok vannak.** Az elektromos kéziszerszámok szikrákat bocsáthatnak ki, amelyek meggyújthatják a port vagy a gőzöket.
- Tartsa távol a gyerekeket és az idegen személyeket a munkahelytől, ha az elektromos kéziszerszámot használja.** Ha elvonják a figyelmét a munkától, könnyen elvesztheti az uralmát a berendezés felett.

2) ELEKTROMOS BIZTONSÁGI ELŐÍRÁSOK

- A készülék csatlakozó dugójának bele kell illeszkednie a dugaszolóaljzatba. A csatlakozó dugót semmilyen módon sem szabad megváltoztatni. Védőföldeléssel ellátott készülékekkel kapcsolatban ne használjon csatlakozó adaptert.** A változtatás nélküli csatlakozó dugók és a megfelelő dugaszoló aljzatok csökkentik az áramütés kockázatát.
 - Ne érjen hozzá földelt felületekhez, mint csövekhez, fűtőtestekhez, kályhákhoz és hűtőszekrényekhez.** Az áramütési veszély megnövekszik, ha a teste le van földelve.
 - Tartsa távol az elektromos kéziszerszámot az esőtől és a nedvesség hatásaitól.** Ha víz hatol be egy elektromos kéziszerszámba, ez megnöveli az áramütés veszélyét.
 - Ne használja a kábelt a rendeltetésétől eltérő célokra, vagyis a szerszámot soha ne hordozza vagy akassza fel a kábelnél fogva, és soha ne húzza ki a hálózati csatlakozó dugót a kábelnél fogva. Tartsa távol a kábelt hőforrásoktól, olajtól, éles élektől, sarkaktól és mozgó gépalkatrészekről.** Egy megrongálódott vagy csomókkal teli kábel megnöveli az áramütés veszélyét.
 - Ha egy elektromos kéziszerszámmal a szabad ég alatt dolgozik, csak a szabadban való használatra engedélyezett hosszabbítót használjon.** A szabadban való használatra engedélyezett hosszabbító használata csökkenti az áramütés veszélyét.
 - Ha nem lehet elkerülni az elektromos kéziszerszám nedves környezetben való használatát, alkalmazzon egy földzárlat megszakítót.** Egy földzárlat megszakító alkalmazása csökkenti az áramütés kockázatát.
- 3) SZEMÉLYI BIZTONSÁGI ELŐÍRÁSOK**
- Munka közben mindig figyeljen, ügyeljen arra, amit csinál, és meggondoltan dolgozzon az elektromos kéziszerszámmal.** Ha fáradt, ha kábítószerek vagy alkohol hatása alatt áll, vagy orvosságokat vett be, ne használja a berendezést. A berendezéssel végzett munka közben már egy pillanatnyi figyelmetlenség is komoly sérülésekhez vezethet.
 - Viseljen személyi védőfelszerelést és mindig viseljen védőszemüveget.** A személyi védőfelszerelések, mint porvédő álarc, csúszásbiztos védőcipő, védősapka és fülvédő használata az elektromos kéziszerszám használata jellegének megfelelően csökkenti a személyes sérülések kockázatát.
 - Kerülje el a készülék akaratlan üzembe helyezését.** Győződjön meg arról, hogy az elektromos kéziszerszám ki van kapcsolva, mielőtt bedugná a csatlakozó dugót a dugaszolóaljzatba, csatlakoztatná az akkumulátor-csomagot, és mielőtt felvenné és vinni kezdené az elektromos kéziszerszámot. Ha az elektromos kéziszerszám felemelése közben az ujját a kapcsolón tartja, vagy ha a készüléket bekapcsolt állapotban csatlakoztatja az áramforráshoz, ez balesetekhez vezethet.
 - Az elektromos kéziszerszám bekapcsolása előtt okvetlenül távolítsa el a beállító berszámokat vagy csavarkulcsokat.** Az elektromos kéziszerszám forgó

részeiben felejtett beállító szerszám vagy csavarkulcs sérüléseket okozhat.

- e) **Ne bec sülje túl önmagát. Kerülje el a normálistól eltérő testtartást, ügyeljen arra, hogy mindig biztosan álljon és az egyensúlyát megtartsa.** Így az elektromos kéziszerszám felett váratlan helyzetekben is jobban tud uralkodni.
 - f) **Viseljen megfelelő ruhát. Ne viseljen bő ruhát vagy ékszereket. Tartsa távol a haját, a ruháját és a kesztyűjét a mozgó részekről.** A bő ruhát, az ékszereket és a hosszú haját a mozgó alkatrészek magukkal rántathatják.
 - g) **Ha az elektromos kéziszerszámra fel lehet szerelni a por elszívásához és összegyűjtéséhez szükséges berendezéseket, ellenőrizze, hogy azok megfelelő módon hozzá vannak kapcsolva a készülékhez és rendeltetésüknek megfelelően működnek.** A porgyűjtő berendezések használata csökkentheti a munka során keletkező por veszélyes hatását.
- #### 4) AZ ELEKTROMOS KÉZISZERSZÁMOK GONDOS KEZELÉSE ÉS HASZNÁLATA
- a) **Ne terhelje túl az elektromos kéziszerszámot. A munkájához csak az arra szolgáló elektromos kéziszerszámmal használja.** Egy alkalmas elektromos kéziszerszámmal a megadott teljesítménytartományon belül jobban és biztonságosabban lehet dolgozni.
 - b) **Ne használjon olyan elektromos kéziszerszámot, amelynek a kapcsolója elromlott.** Egy olyan elektromos kéziszerszám, amelyet nem lehet sem be-, sem kikapcsolni, veszélyes és meg kell javíttatni.
 - c) **Húzza ki a csatlakozó dugót a dugaszolóaljzatból és/vagy az akkumulátor-csomagot az elektromos kéziszerszámból, mielőtt az elektromos kéziszerszámon beállítási munkákat végez, tartozékokat cserél vagy a szerszámot tárolásra elteszi.** Ez az elővigyázatossági intézkedés meggátolja a szerszám akaratlan üzembe helyezését.
 - d) **A használaton kívüli elektromos kéziszerszámokat olyan helyen tárolja, ahol azokhoz gyerekek ne férhess nek hozzá. Ne hagyja, hogy olyan személyek használják az elektromos kéziszerszámot, akik nem ismerik a szerszámot, vagy nem olvasták el ezt az útmutatót.** Az elektromos kéziszerszámok veszélyesek, ha azokat gyakorlatlan személyek használják.
 - e) **A készüléket gondosan ápolja. Ellenőrizze, hogy a mozgó alkatrészek kifogástalanul működnek-e, nincsenek-e beszorulva, és nincsenek-e eltörve vagy megrongálódva olyan alkatrészek, amelyek hatással lehetnek az elektromos kéziszerszám működésére. A megrongálódott részeket a készülék használata előtt javíttassa meg.** Sok olyan baleset történik, amelyet az elektromos kéziszerszám nem kielégítő karbantartására lehet visszavezetni.
 - f) **Tartsa tisztán és éles állapotban a vágószerszámokat.** Az éles vágóélekkel rendelkező és gondosan ápolít vágószerszámok ritkábban ékelődnek be és azokat könnyebben lehet vezetni és irányítani.
 - g) **Az elektromos kéziszerszámokat, tartozékokat, betétszerszámokat stb. csak ezen előírásoknak használja. Vegye figyelembe a munkafeltételeket és a kivitelezendő munka sajátosságait. Az elektromos**

kéziszerszám eredeti rendeltetésétől eltérő célokra való alkalmazása veszélyes helyzetekhez vezethet.

5) SZERVIZ

- a) **Az elektromos kéziszerszámot csak szakképzett személyzet és csak eredeti pótalkatrészek felhasználásával javíthatja.** Ez biztosítja, hogy az elektromos kéziszerszám biztonságos szerszám maradjon.

SAROKSISZOLÓK BIZTONSÁGI ELŐÍRÁSAI

1) BIZTONSÁGI ELŐÍRÁSOK AZ ÖSSZES MŰVELETRE

- a) **Ez az elektromos kéziszerszám csiszológépként, csiszolópapíros csiszológépként, drótkéféként, és daraboló csiszológépként használható. Ügyeljen minden figyelmeztető jelzésre, előírásra, ábrára és adatra, amelyet az elektromos kéziszerszámmal együtt megkapott.** Ha nem tartja be a következő előírásokat, akkor ez áramütéshez, tűzhöz és/vagy súlyos személyi sérülésekhez vezethet.
- b) **A szerszámot nem javasoljuk polírozásra műveletekre.** A szerszám nem tervezett módon történő használata veszélyes lehet, személyi sérüléssel járhat.
- c) **Ne használjon olyan tartozékokat, amelyeket a gyártó ehhez az elektromos kéziszerszámhoz nem irányzott elő és nem javasolt.** Az a tény, hogy a tartozékot rögzíteni tudja az elektromos kéziszerszámra, nem garantálja annak biztonságos alkalmazását.
- d) **A betétszerszám megengedett fordulatszámának legalább akkorának kell lennie, mint az elektromos kéziszerszámon megadott legnagyobb fordulatszám.** A megengedettnél gyorsabban forgó tartozékok széttörhetnek.
- e) **A betétszerszám külső átmérőjének és vastagságának meg kell felelnie az Ön elektromos kéziszerszámán megadott méreteknek.** A hibásan méretezett betétszerszámokat nem lehet megfelelően eltakarni, vagy irányítani.
- f) **A menetes betéttel ellátott betétszerszám menetének meg kell felelnie az orsó menetének. A karima segítségével befogásra kerülő betétszerszámok esetén a betétszerszám furatátmérőjének pontosan meg kell felelnie a karima befogási átmérőjének.** Az olyan betétszerszámok, amelyek nem kerülnek pontosan rögzítésre az elektromos kéziszerszámhoz, egyenletlenül forognak, erősen berezegnék és a készülék feletti uralom megszűnéséhez vezethetnek.
- g) **Ne használjon megrongálódott betétszerszámokat. Vizsgálja meg minden egyes használat előtt a betétszerszámokat: ellenőrizze, nem pattogzott-e le és nem repedt-e meg a csiszolókorong, nincsen-e eltörve, megrepedve, vagy nagy mértékben elhasználódva a csiszoló tányér, nincsenek-e a drótkéfében kilazult, vagy eltörtött drótok. Ha az elektromos kéziszerszám vagy a betétszerszám leesik, vizsgálja felül, nem rongálódott-e meg, vagy használjon egy hibátlan betétszerszámot. Miután ellenőrizte, majd behelyezte a készülékbe a betétszerszámot, tartózkodjon Ön sajátmaga és minden más a közelben található személy is a forgó betétszerszám síkján kívül és járassa egy percig az elektromos kéziszerszámot a legnagyobb**

- fordulatszámmal. A megrongálódott betétszerszámok ezalatt a próbaidő alatt általában már széttörnek.
- h) **Viseljen személyi védőfelszerelést (4). Használjon az alkalmazásnak megfelelő teljes védőálarcot, szemvédőt vagy védőszemüveget. Amennyiben célszerű, viseljen porvédő álarcot, zajtompító fülvédőt, védő kesztyűt vagy különleges kötényt, amely távol tartja a csiszolószerszám- és anyagrészecskéket.** Mindenképpen védje meg a szemét a kirepülő idegen anyagoktól, amelyek a különböző alkalmazások során keletkeznek. A porvagy védőálarcnak meg kell szűrnie a használat során keletkező port. Ha hosszú ideig ki van téve az erős zaj hatásának, elvesztheti a hallását.
- i) **Ügyeljen arra, hogy a többi személy biztonságos távolságban maradjon az Ön munkaterületétől. Minden olyan személynek, aki belép a munkaterületre, személyi védőfelszerelést kell viselnie.** A munkadarab letört részei vagy a széttört betétszerszámok kirepülhetnek és a közvetlen munkaterületen kívül is személyi sérülést okozhatnak.
- j) **Az elektromos kéziszerszámot csak a szigetelt fogantyúfelületeknél fogva tartsa, ha olyan munkát végez, amelynek során a betétszerszám feszültség alatt áll, kívülről nem látható vezetékhez, vagy a készülék saját hálózati csatlakozó kábeljéhez érhet.** Ha a berendezés egy feszültség alatt álló vezetékhez ér, az elektromos kéziszerszám fémrészei szintén feszültség alá kerülhetnek és áramütéshez vezethetnek.
- k) **Tartsa távol a hálózati csatlakozó kábelt a forgó betétszerszámoktól.** Ha elveszíti az uralmát az elektromos kéziszerszám felett, az átvághatja, vagy bekaphatja a hálózati csatlakozó kábelt és az Ön keze vagy karja is a forgó betétszerszámhoz érhet.
- l) **Sohase tegye le az elektromos kéziszerszámot, mielőtt a betétszerszám teljesen leállna.** A forgásban lévő betétszerszám megérinthesi a támasztó felületet, és Ön ennek következtében könnyen elvesztheti az uralmát az elektromos kéziszerszám felett.
- m) **Ne járassa az elektromos kéziszerszámot, miközben azt a kezében tartja.** A forgó betétszerszám egy véletlen érintkezés során bekaphatja a ruháját és a betétszerszám belefűródhat a testébe.
- n) **Tisztítsa meg rendszeresen az elektromos kéziszerszáma szellőzőnyílásait.** A motor ventilátora beszívja a port a házba, és nagyobb mennyiségű fémpor felhalmozódása elektromos veszélyekhez vezethet.
- o) **Ne használja az elektromos kéziszerszámot éghető anyagok közelében.** A szikrák ezeket az anyagokat meggyújthatják.
- p) **Ne használjon olyan betétszerszámokat, amelyek alkalmazásához folyékony hűtőanyagra van szükség.** Víz és egyéb folyékony hűtőanyagok alkalmazása áramütéshez vezethet.
- 2) VISSZARUGÁS ÉS MEGFELELŐ FIGYELMEZTETŐ TÁJÉKOZTATÓK**
- A visszarugás a beékelődő vagy leblokkoló forgó betétszerszám, például csiszolókorong, csiszoló tányér, drótkefe stb. hirtelen reakciója. A beékelődés vagy leblokkolás a forgó betétszerszám hirtelen leállításához vezet. Ez az irányítatlan elektromos kéziszerszámot a betétszerszámnak a leblokkolási ponton fennálló forgási irányával szembeni irányban felgyorsítja.
 - Ha például egy csiszolókorong beékelődik, vagy leblokkol a megmunkálásra kerülő munkadarabban, a csiszolókorongnak a munkadarabba bemerülő éle leáll és így a csiszolókorong kiugorhat vagy egy visszarugást okozhat. A csiszolókorong ekkor a korongnak a leblokkolási pontban fennálló forgásiirányától függően a kezelő személy felé, vagy attól távolodva mozog. A csiszolókorongok ilyenkor el is törhetnek.
 - Egy visszarugás az elektromos kéziszerszám hibás vagy helytelen használatának következménye. Ezt az alábbiakban leírásra kerülő megfelelő óvatossági intézkedésekkel meg lehet gátolni.
- a) **Tartsa szorosan fogva az elektromos kéziszerszámot, és hozza a testét és a karjait olyan helyzetbe, amelyben fel tudja venni a visszarúgó erőt. Használja mindig a pótfogantyút, amennyiben létezik, hogy a lehető legjobban tudjon uralkodni a visszarugási erők, illetve felfutáskor a reakciós nyomaték felett.** A kezelő személy megfelelő óvatossági intézkedésekkel uralkodni tud a visszarugási és reakcióerők felett.
- b) **Sohase vigye a kezét a forgó betétszerszám közelébe.** A betétszerszám egy visszarugás esetén a kezéhez érhet.
- c) **Kerülje el a testével azt a tartományt, ahová egy visszarugás az elektromos kéziszerszámot mozgatja.** A visszarugás az elektromos kéziszerszámot a csiszolókorongnak a leblokkolási pontban fennálló forgásiirányával ellentétes irányba hajtja.
- d) **A sarkok és élek közelében különösen óvatosan dolgozzon, akadályozza meg, hogy a betétszerszám lepattanjon a munkadarabról, vagy beékelődjön a munkadarabba.** A forgó betétszerszám a sarkoknál, éléknél és lepattanás esetén könnyen beékelődik. Ez a készülék feletti uralom elvesztéséhez, vagy egy visszarugáshoz vezet.
- e) **Ne használjon fafűrészlapot, vagy fogazott fűrészlapot.** Az ilyen betétszerszámok gyakran visszarugáshoz vezetnek, vagy a kezelő elvesztheti az uralmát az elektromos kéziszerszám felett.
- 3) KÜLÖN FIGYELMEZTETÉSEK ÉS TÁJÉKOZTATÓ A CSISZOLÁSHOZ ÉS DARABOLÁSHOZ**
- a) **Kizárólag az Ön elektromos kéziszerszámához engedélyezett csiszolótesteket és az ezen csiszolótestekhez előirányozott védőbúrákat használja.** A nem az elektromos kéziszerszámhoz szolgáló csiszolótesteket nem lehet kielégítő módon letakarni és ezért ezek nem biztonságosak.
- b) **A peremes csiszolókorongokat úgy kell felszerelni, hogy a csiszolófelületük ne álljon ki a védőburkolat szélének a síkjából.** Egy szakszerűtlenül felszerelt csiszolókorongot, amely kiáll a védőburkolat szélésnek a síkjából, nem lehet kielégítő módon letakarni.
- c) **A védőbúrát biztonságosan kell felszerelni az elektromos kéziszerszámra és úgy kell beállítani, hogy az a lehető legnagyobb biztonságot nyújtsa, vagyis a csiszolótestnek csak a lehető legkisebb része mutasson a kezelő felé.** A védőbúrának meg kell óvnia a kezelőt a letörtött, kirepülő daraboktól, a

csiszolótest véletlen megérintésétől és a szikráktól, melyek felgyújthatják az öltözékét.

- d) **A csiszolótesteket csak az azok számára javasolt célokra szabad használni.** Például: Sohase csiszoljon egy hasítókorong oldalsó felületével. A hasítókorongok arra vannak méretezve, hogy az anyagot a korong élével munkálják le. Az ilyen csiszolótestekre ható oldalirányú erő a csiszolótest töréséhez vezethet.
- e) **Használjon mindig hibátlan, az Ön által választott csiszolókorongnak megfelelő méretű és alakú befogókarimát.** A megfelelő karimák megtámasztják a csiszolókorongot és így csökkentik a csiszolókorong eltörésének veszélyét. A hasítókorongokhoz szolgáló karimák különbözhetnek a csiszolókorongok számára szolgáló karimáktól.
- f) **Ne használjon nagyobb elektromos készzerszámokhoz szolgáló elhasználdott csiszolótesteket.** A nagyobb elektromos készzerszámokhoz szolgáló csiszolókorongok nincsenek a kisebb elektromos készzerszámok magasabb fordulatszámára méretezve és szétlőhetnek.

4) TOVÁBBI KÜLÖNLEGES FIGYELMEZTETŐ TÁJÉKOZTATÓ A DARABOLÁSHOZ

- a) **Kerülje el a hasítókorong leblokkolását, és ne gyakoroljon túl erős nyomást a készülékre. Ne végezzen túl mély vágást.** A túlterhelés megnöveli a csiszolótest igénybevételét és beékelődési vagy leblokkolási hajlamát és visszarúgáshoz vagy a csiszolótest töréséhez vezethet.
- b) **Kerülje el a forgó hasítókorong előtti és mögötti tartományt.** Ha a hasítókorongot a munkadarabban magától eltávolodva mozgatja, akkor az elektromos készzerszám a forgó koronggal visszarúgás esetén közvetlenül Ön felé pattan.
- c) **Ha a hasítókorong beékelődik, vagy ha Ön megszakítja a munkát, kapcsolja ki az elektromos készzerszámot és tartsa azt nyugodtan, amíg a korong teljesen leáll. Sohase próbálja meg kihúzni a még forgó hasítókorongot a vágásból, mert ez visszarúgáshoz vezethet.** Határozza meg és hársítsa el a beékelődés okát.
- d) **Addig ne kapcsolja ismét be az elektromos készzerszámot, amíg az még benne van a munkadarabban. Várja meg, amíg a hasítókorong eléri a teljes fordulatszámát, mielőtt óvatosan folytatná a vágást.** A korong ellenkező esetben beékelődhet, kiugorhat a munkadarabból, vagy visszarúgáshoz vezethet.
- e) **Támassza fel a lemezeket vagy nagyobb munkadarabokat, hogy csökkentse egy beékelődő hasítókorong következtében fellépő visszarúgás kockázatát.** A nagyobb munkadarabok saját súlyuk alatt meghajolhatnak. A munkadarabot mindkét oldalán, és mind a vágási vonal közelében, mind a szélénél alá kell támasztani.
- f) **Ha egy meglévő falban, vagy más be nem látható hasítókorong gáz- vagy vízvezetékbe, elektromos vezetékbe vagy más tárgyba ütközhet, amelyek visszarúgást okozhatnak.**

5) KÜLÖN FIGYELMEZTETÉSEK ÉS TÁJÉKOZTATÓ A CSISZOLÓPAPÍR ALKALMAZÁSÁVAL TÖRTÉNŐ CSISZOLÁSHOZ

- a) **Ne használjon túl nagy csiszolólapokat, hanem kizárólag a gyártó által előírt méretet.** A csiszoló tényeron túl kilógó csiszolólapok személyi sérülést okozhatnak, valamint a csiszolólapok leblokkolásához, széttépődéséhez, vagy visszarúgáshoz vezethetnek.
- 6) **KÜLÖN FIGYELMEZTETÉSEK ÉS TÁJÉKOZTATÓ A DRÓTKEFÉVEL VÉGZETT MUNKÁKHOZ**
- a) **Vegye tekintetbe, hogy a drótkéfével a normális használat közben is kirepülnek egyes drótdarabok. Ne terhelje túl a berendezésre gyakorolt túl nagy nyomással a drótokat.** A kirepülő drótdarabok igen könnyen áthatolhatnak a vékonyabb ruhadarabokon vagy az emberi bőrön.
- b) **Ha egy védőbúrárt célszerű alkalmazni, akadályozza meg, hogy a védőbúra és a drótkéfe megérintse egymást.** A tányér- és csészealakú kefék átmérője a berendezésre gyakorolt nyomás és a centrifugális erők hatására megnövekedhet.

ÁLTALÁNOS TUDNIVALÓK

- Ez a készülék nedves csiszolási/vágási munkálatokhoz nem használható
- Csak a szerszámmal együtt szállított gyűrűket használja
- A készüléket csak 16 éven felüli személyek használják
- **Mindig húzza ki a dugaszolóaljzatot mielőtt tartozékot cserélne vagy bármít változtatna a gép beállításán**

TARTOZÉKOK

- SKIL cég kizárólag eredeti alkatrészek és kiegészítők alkalmazása esetén tudja garantálni a gép problémamentes működését
- **Használjon maximum 8 mm vastagságú és 22 mm tengelyfurat-átmérőjű csiszoló- vagy vágókorongot**
- Ha nem SKIL-tartozékokat szerel fel/használ, az adott gyártó előírásait tartsa be
- A nagy lyukméretű csiszoló-/vágókorongokat alkalmazása érdekében tilos fordulatszám-csökkentő áttételt vagy rátétet használni
- Tilos olyan tartozékot használni, melynek zárt menetes lyukmérete kisebb mint M14 x 21 mm

KÜLTÉRI HASZNÁLAT

- A szerszámgépet rövidzárlati (FI) áramkör-megszakítón keresztül csatlakoztassa, melynek kioldóárama maximum 30 mA

HASZNÁLAT ELŐTT

- A szerszámgép legelső alkalommal történő használata előtt ajánlott gyakorlati tájékoztatást kérni
- Mindig ellenőrizze, hogy a hálózati feszültség megegyezik-e a gép adattábláján feltüntetett értékkel (a 230V vagy 240V jelzésű gépek 220V feszültségre is csatlakoztathatók)
- Mindig szerelje fel az E ② es oldalfogantyút és az F ② es védőpajzsot; a szerszámgépet soha se használja ezek nélkül
- **A rejtett vezetékek felkutatásához használjon alkalmas fémeseres készüléket, vagy kérje ki a helyi energiaellátó vállalat tanácsát** (ha egy elektromos vezetékeket a berendezéssel megérint, ez tűzhöz és áramütéshez vezethet; egy gázvezeték megrongálása

robbanást eredményezhet; egy vízvezetékbe való behatolás anyagi károkhöz és áramütéshez vezethet)

- **Ne munkáljon meg a berendezéssel azbeszteszt tartalmazó anyagokat** (az azbesztesztnek rákkeltő hatása van)
- Az anyagból származó por (mint például az ólmot, néhány fafajtát, ásványi anyagokat és fémeket tartalmazó festékek) káros lehet (a por érintése vagy belégzése allergiás reakciókat és/vagy légzőszervi betegségeket okozhat a kezelő, illetve a közelben állók esetében); **viseljen pormaszkot és amennyiben csatlakoztatható, dolgozzon porelzivó berendezéssel**
- Bizonyos porfajták rákkeltő besorolással rendelkeznek (ilyen például a tölgy- és a bükkfa pora), különösen a fa kondicionálására szolgáló adalékokkal együtt; **viseljen pormaszkot és amennyiben csatlakoztatható, dolgozzon porelzivó berendezéssel**
- Kövesse a por kezelésével kapcsolatos helyi előírásokat azon termékkel kapcsolatosan, amellyel dolgozni kíván
- Hornyok vésésekor legyen óvatos, különösen tartófalak esetében (a teherhordó falakba véshető részekre országról országra változó előírások érvényesek; ezeket az előírásokat minden helyzetben feltétlenül be kell tartani)
- **Rögzítse a munkadarabot** (befogókészülékkel vagy satuval befogott munkadarabot sokkal biztonságosabban lehet rögzíteni mint a kézzel tartottat)
- A gépet tilos satuba fogni
- Használjon teljesen letekerés és biztonságos hosszabbítókábel, 16 A-es teljesítménnyel

HASZNÁLAT KÖZBEN

- Ha a kábel munka közben megsérül vagy el van vágva, ne érjen a kábelhoz, hanem azonnal húzza ki a kábelkötőből
- Soha ne használja a szerszámot ha a kábel sérült; cseréltesse ki szakértő által
- Normálistól eltérő működés valamint szokatlan, idegen hangok esetén a készüléket azonnal kapcsolja ki és a kábel húzza ki a fali dugaszoló aljzatból
- Ha áramszünet következik be, vagy ha a dugós csatlakozót véletlenül kihúzza, a gép akaratlan újraindításának megelőzésére azonnal oldja fel a be/ki kapcsoló H ② zárolását

A HASZNÁLATOT KÖVETŐEN

- Miután kikapcsolta a gépet, a tartozék forgását sose annak síkjára merőleges erővel állítsa meg

KEZELÉS

- Tartozékok felszerelése ②
 - ! **húzzuk ki a kábel dugóját a csatlakozóaljzatból**
 - tisztítsa meg az A jelű tengelyt és az összes felszerelendő alkatrészt
 - szorítsa meg a B jelű rögzítőgyűrűt a C jelű tartozék kulccsal, és közben nyomja meg a D jelű, elfordulás elleni gombot
 - ! **csak akkor nyomja meg a D jelű, elfordulás elleni gombot, amikor az A jelű tengely mozdulatlanul áll**
 - tartozékok levételéhez fordított sorrendben ismételje meg az előző lépéseket
 - ! **használat közben a csiszoló-/vágókorongok nagyon felmelegednek; ne érintse meg őket, míg le nem hűltek**

! **ha dörzsfelületű csiszolókorongokat használ, mindig szerelje fel az alátétlapot**

! **tilos olyan csiszoló-/vágókorongot használni, melyről hiányzik a címke, melyet a korongra ragasztanak (amennyiben létezik)**

- Az oldalfogantyú E felszerelése ⑥
 - ! **húzzuk ki a kábel dugóját a csatlakozóaljzatból**
 - csavarozza az E jelű oldalfogantyút a gép jobb vagy bal oldalára, esetleg a tetejére (az elvégzendő munkától függően)
- A védőpajzs F eltávolítása/felszerelése/beállítása ⑦
 - ! **húzzuk ki a kábel dugóját a csatlakozóaljzatból**
 - ! **gondoskodjon arról, hogy a védőpajzs zárt fele mindig a működtető személy felé álljon**
- Mielőtt üzembe helyezné a gépet
 - ellenőrizze, hogy a tartozék helyesen legyen felszerelve, valamint a csavarokkal megfelelően rögzítve legyenek
 - kézzel ellenőrizze, hogy a vágótárcsa szabadon mozogjon
 - egy próba bekapcsolást végezzen el úgy, hogy a gép legalább 30 másodpercre a legmagasabb fordulatszámon terhelés nélkül üzemeljen biztonságos körülmények között
 - erős vibrálásnál vagy más hibák észlelésekor gépet rögtön kapcsolja ki és ellenőrizze a gép előírásnak megfelelően került üzemeltetésre
- Biztonsági be/kikapcsoló H ⑧
 - kapcsolja be a gépet ⑧a
 - ! **ügyeljen arra, hogy bekapcsoláskor a készülék visszaránt**
 - ! **mielőtt a készüléket a munkadarabra/ba vezetné, várja meg, amíg a motor a maximális fordulatszámot eléri**
 - rögzítse a kapcsolót ⑧b
 - feldoldja a rögzítést/kapcsolja ki a gépet ⑧c
 - ! **kikapcsolás előtt készülékét távolítsa el a munkadarabtól**
 - ! **a gép kikapcsolása után a tárcsa egy pár másodpercig tovább forog**
- Csiszolás ⑨
 - a szerszámra mérsékelt nyomást kifejtve mozgassa azt előre-háttra
 - ! **tilos vágókorongot használni oldalélek csiszolására**
- Vágás ⑩
 - vágáskor ne döntse meg a szerszámgépet
 - a gépet mindig a szerszámfejen látható nyíl irányába mozgassa, így előzhető meg az, hogy a gép a vágási résből ellenőrizetlen módon kilökődjön
 - ne fejtse ki nyomóerőt a szerszámra; a vágókorong sebessége folytán - szükségtelemmé teszi azt
 - a vágókorong sebessége a vágandó anyagtól függ
 - tilos a vágókorongokat oldalirányból kifejtett nyomással fékezni
- A gép vezetése és tartása
 - a gépet mindig mindkét kézzel erősen fogva tartsa, hogy így mindenkor teljesen ellenőrzése alatt legyen a gép
 - ! **munka közben mindvégig tartsa gépet a szürke színű markolati terület(ek)en ⑪**
 - gondoskodjon szilárd támaszról

- figyeljen a forgás irányára; mindig úgy tartsa a gépet, hogy a szikrák és a csiszolási/vágási por öntől elfelé repüljön
- a szellőzőnyílásokat J ② mindig tartsa szabadon

HASZNÁLAT

- A B ② jelű gyűrű helyet használható a "CLIC" gyorsrögzítő gyűrű (2610388766 SKIL tartozék); ezután a csiszoló-/vágókorongokat tartozék kulcs nélkül lehet felszerelni
- A www.skil.com címen még több ötletet és javaslatot talál

KARBANTARTÁS / SZERVIZ

- A szerszám nem professzionális használatra készült
- Mindig tartsa tisztán a gépet és a vezetéket (különös tekintettel a szellőzőnyílásokra J ②)
- ! **tisztításnál a levegőnyílásokra ne használjon hegyes tárgyakat**
- ! **tisztítás előtt húzza ki a csatlakozódugót**
- Ha a gép a gondos gyártási és ellenőrzési eljárás ellenére egyszer mégis meghibásodna, akkor a javítással csak SKIL elektromos kéziszerszám-műhely ügyfélszolgálatát szabad megbízni
 - küldje az **összeszerelt** gépet a vásárlást bizonyító számlával együtt a kereskedő vagy a legközelebbi SKIL szervizállomás címére (a címlista és a gép szervizdiagramja a www.skil.com címen található)

KÖRNYEZET

- **Az elektromos kéziszerszámokat, tartozékokat és csomagolást ne dobja a háztartási szemétkébe** (csak EU-országok számára)
 - a használt villamos és elektronikai készülékekről szóló 2002/96/EK irányelv és annak a nemzeti jogba való átültetése szerint az elhasznált elektromos kéziszerszámokat külön kell gyűjteni, és környezetbarát módon újra kell hasznosítani
 - erre emlékeztet a ⑫ jelzés, amennyiben felmerül az intézkedésre való igény

MEGFELELŐSÉGI NYILATKOZAT CE

- Egyedüli felelősséggel kijelentjük, hogy a "Műszaki adatok" alatt leírt termék megfelel a következő szabványoknak, illetve irányadó dokumentumoknak: EN 60745, EN 61000, EN 55014 a 2004/108/EK, 2006/42/EK, 2011/65/EU irányelveknek megfelelően
- **A műszaki dokumentáció a következő helyen található:** SKIL Europe BV (PT-SEU/ENG1), 4825 BD Breda, NL

Marijn van der Hoofden
Operations & Engineering

Olaf Dijkgraaf
Approval Manager




SKIL Europe BV, 4825 BD Breda, NL

05.08.2013

ZAJ/REZGÉS

- Az EN 60745 alapján végzett mérések szerint ezen készülék hangnyomás szintje 90 dB(A) a hangteljesítmény szintje 101 dB(A) (normál eltérés: 3 dB), a rezgésszám * m/s² (kézre-ható érték; szórás K = 1,5 m/s²)
 - * felületcsiszolás közben 8,1 m/s²
 - * csiszolás közben 6,2 m/s²
- ! **más felhasználásoknál (mint pl. vágás vagy csiszoló kefével történő csiszolás) lehetséges más vibrációs érték**
- A rezgés-kibocsátási szint mérése az EN 60745 szabványban meghatározott szabványosított teszttel összhangban történt; ez egy eszköznek egy másik eszközzel történő összehasonlítására, illetve a rezgésnek való kitettség előzetes felmérésére használható fel az eszköznek az említett alkalmazásokra történő felhasználása során
 - az eszköznek eltérő alkalmazásokra, vagy eltérő, illetve rosszul karbantartott tartozékokkal történő felhasználása jelentősen **emelheti** a kitettség szintjét
 - az idő, amikor az eszköz ki van kapcsolva, vagy amikor ugyan működik, de ténylegesen nem végez munkát, jelentősen **csökkentheti** a kitettség szintjét
- ! **az eszköz és tartozékai karbantartásával, kezeinek melegen tartásával, és munkavégzésének megszervezésével védje meg magát a rezgések hatásaitól**

Ⓢ

Úhlová bruska

9176

ÚVOD

- Tento nástroj je určen k broušení, řezání a odstraňování ořepů kovových a kamenných materiálů bez použití vody; s vhodným příslušenstvím lze nástroj použít také k očišťování a pískování
- Tento nástroj není určen k profesionálnímu použití
- **Řezání pomocí přilepených brusných kotoučů pro odřezávání je povoleno pouze tehdy, pokud je používán ochranný kryt (k dostání jako dodatečné příslušenství SKIL 2610399439)**
- Tento návod s pokyny si pečlivě přečtěte a uschovejte ③

TECHNICKÁ DATA ①

SOUČÁSTI NÁSTROJE ②

- A Vřeteno
- B Upínací příruka
- C Maticový klíče
- D Tlačítko k zajištění vřetena
- E Pomocná rukojeť
- F Ochranný kryt
- G Montážní příruka
- H Zajišťovací spínač zapnuto/vypnuto
- J Větrací šterbiny

BEZPEČNOST

VŠEOBECNÉ BEZPEČNOSTNÍ PŘEDPISY

⚠️ POZOR! Čtete všechna varovná upozornění a pokyny. Zanedbání při dodržování varovných upozornění a pokynů mohou mít za následek úder elektrickým proudem, požár a/nebo těžká poranění. **Všechna varovná upozornění a pokyny do budoucna uschovejte.** Ve varovných upozorněních použitý pojem "elektronářadí" se vztahuje na elektronářadí provozované na el. síti (se síťovým kabelem) a na elektronářadí provozované na akumulátoru (bez síťového kabelu).

1) BEZPEČNOST PRACOVNÍHO MÍSTA

- Udržujte Vaše pracovní místo čisté a uklizené.** Nepořádek nebo neosvětlené pracovní oblasti mohou vést k úrazům.
- Se strojem nepracujte v prostředích ohrožených explozí, kde se nacházejí hořlavé kapaliny, plyny nebo prach.** Elektronářadí vytváří jiskry, které mohou prach nebo páry zapálit.
- Děti a jiné osoby udržujte při použití elektronářadí daleko od Vašeho pracovního místa.** Při rozptýlení můžete ztratit kontrolu nad strojem.

2) ELEKTRICKÁ BEZPEČNOST

- Připojovací zástrčka stroje musí lícovat se zásuvkou. Zástrčka nesmí být žádným způsobem upravena. Společně se stroji s ochranným uzemněním nepoužívejte žádné adaptérové zástrčky.** Neupravené zástrčky a vhodné zásuvky snižují riziko elektrického úderu.
- Zabraňte kontaktu těla s uzemněnými povrchy, jako např. potrubí, topení, sporáky a chladničky.** Je-li Vaše tělo uzemněno, existuje zvýšené riziko elektrického úderu.
- Chraňte stroj před deštěm a vlhkem.** Vniknutí vody do elektrického stroje zvyšuje nebezpečí elektrického úderu.
- Dbejte na účel kabelu, nepoužívejte jej k nošení či zavěšení stroje nebo vytažení zástrčky ze zásuvky. Udržujte kabel daleko od tepla, oleje, ostrých hran nebo pohyblivých dílů stroje.** Poškozené nebo spletené kabely zvyšují riziko elektrického úderu.
- Pokud pracujete s elektronářadím venku, použijte pouze takové prodlužovací kabely, které jsou schváleny i pro venkovní použití.** Použití prodlužovacího kabelu, jež je vhodný pro použití venku, snižuje riziko elektrického úderu.
- Pokud se nelze vyhnout provozu elektronářadí ve vlhkém prostředí, použijte ochranný jistič.** Nasazení ochranného jističe snižuje riziko úderu elektrickým proudem.

3) BEZPEČNOST OSOB

- Bud'te pozorní, dávejte pozor na to, co děláte a přistupujte k práci s elektronářadím rozumně. Stroj nepoužívejte pokud jste unavení nebo pod vlivem drog, alkoholu nebo léků.** Moment nepozornosti při použití elektronářadí může vést k vážným poraněním.
- Noste osobní ochranné pomůcky a vždy ochranné brýle.** Nošení osobních ochranných pomůček jako maska proti prachu, bezpečnostní obuv s protiskluzovou podrážkou, ochranná přilba nebo sluchátka, podle druhu nasazení elektronářadí, snižují riziko poranění.

- Zabraňte neúmyslnému uvedení do provozu. Přesvědčte se, že je elektronářadí vypnuté dříve než jej uchopíte, poneseťe či připojíte na zdroj proudu a/ nebo akumulátor.** Máte-li při nošení elektronářadí prst na spínači nebo pokud stroj připojíte ke zdroji proudu zapnutý, pak to může vést k úrazům.
 - Než stroj zapnete, odstraňte seřizovací nástroje nebo šroubovák.** Nástroj nebo klíč, který se nachází v otáčivém dílu stroje, může vést k poranění.
 - Nepřeceňujte se. Zajistěte si bezpečný postoj a vždy udržujte rovnováhu.** Tím můžete stroj v neočekávaných situacích lépe kontrolovat.
 - Noste vhodný oděv. Nenoste žádný volný oděv nebo šperky. Vlasy, oděv a rukavice udržujte daleko od pohybujících se dílů.** Volný oděv, šperky nebo dlouhé vlasy mohou být zachyceny pohybujícími se díly.
 - Lze-li namontovat odsávací či zachycující přípravky, přesvědčte se, že jsou připojeny a správně použity.** Použití odsávání prachu může snížit ohrožení prachem.
- ### 4) SVĚDOMITÉ ZACHÁZENÍ A POUŽÍVÁNÍ ELEKTRONÁŘADÍ
- Stroj nepřetěžujte. Pro svou práci použijte k tomu určený stroj.** S vhodným elektronářadím budete pracovat v udané oblasti výkonu lépe a bezpečněji.
 - Nepoužívejte žádné elektronářadí, jehož spínač je vadný.** Elektronářadí, které nelze zapnout či vypnout je nebezpečné a musí se opravit.
 - Než provedete seřízení stroje, výměnu dílů příslušenství nebo stroj odložte, vytáhněte zástrčku ze zásuvky a/nebo odstraňte akumulátor.** Toto preventivní opatření zabrání neúmyslnému zapnutí stroje.
 - Uchovávejte nepoužívané elektronářadí mimo dosah dětí. Nenechte stroj používat osobám, které se strojem nejsou seznámeny nebo nečetly tyto pokyny.** Elektronářadí je nebezpečné, je-li používáno nezkušenými osobami.
 - Pečujte o stroj svědomitě. Zkontrolujte, zda pohyblivé díly stroje bezvadně fungují a nevzpříčují se, zda díly nejsou zlomené nebo poškozené tak, že je omezena funkce stroje. Poškozené díly nechte před nasazením stroje opravit.** Mnoho úrazů má příčinu ve špatně udržovaném elektronářadí.
 - Řezné nástroje udržujte ostré a čisté.** Pečlivě ošetřované řezné nástroje s ostrými řeznými hranami se méně vzpříčují a dají se lehčeji vést.
 - Používejte elektronářadí, příslušenství, nasazovací nástroje apod. podle těchto pokynů. Respektujte přitom pracovní podmínky a prováděnou činnost.** Použití elektronářadí pro jiné než určující použití může vést k nebezpečným situacím.

5) SERVIS

- Nechte Váš stroj opravit pouze kvalifikovaným odborným personálem a pouze s originálními náhradními díly.** Tím bude zajištěno, že bezpečnost stroje zůstane zachována.

BEZPEČNOSTNÍ PŘEDPISY PRO ÚHLOVÉ BRUSKY

1) BEZPEČNOSTNÍ PŘEDPISY PRO VŠECHNY ČINNOSTI

- Toto elektronářadí se používá jako bruska, bruska brusným papírem, kartáčovačka, dělicí bruska. Dbejte všech varovných upozornění, pokynů,**

- zobrazení a údajů, jež jste s elektronářadím obdrželi. Pokud následující pokyny nedodržíte, může to vést k úderu elektrickým proudem, požáru nebo těžkým poraněním.
- b) **Nedoporučujeme používat toto elektronářadí k leštění.** Činnosti, k jejichž provádění nebylo toto elektronářadí určeno, mohou způsobit nebezpečné situace a zranění osob.
- c) **Nepoužívejte žádné příslušenství, které není výrobcem pro toto elektronářadí speciálně určeno a doporučeno.** Pouze to, že můžete příslušenství na Vaše elektronářadí upevnit, nezaručuje bezpečné použití.
- d) **Dovolené otáčky nasazovacího nástroje musí být nejméně tak vysoké jako nejvyšší otáčky uvedené na elektronářadí.** Příslušenství, jež se otáčí rychleji než je dovoleno, může být zničeno.
- e) **Vnější rozměr a tloušťka nasazovacího nástroje musí odpovídat rozměrovým údajům Vašeho elektronářadí.** Špatně dimenzované nasazovací nástroje nemohou být dostatečně stíněny nebo kontrolovány.
- f) **Nasazovací nástroje se závitovou vložkou musejí přesně lícovat na závit brusného vřetene. U nasazovacích nástrojů, jež jsou montované prostřednictvím příruby, musí průměr otvoru nasazovacího nástroje lícovat na upínací průměr příruby.** Nasazovací nástroje, které nejsou na elektronářadí upevněné přesně, se nerovnoměrně otáčejí, velmi silně vibrují a mohou vést ke ztrátě kontroly.
- g) **Nepoužívejte žádné poškozené nasazovací nástroje.** Zkontrolujte před každým použitím nasazovací nástroje jako brusné kotouče na odštěpky a trhliny, brusné talíře na trhliny, ořez nebo silně opotřebené, drátěné kartáče na uvolněné nebo zlomené dráty. Spadne-li elektronářadí nebo nasazovací nástroj z výšky, zkontrolujte zda není poškozený nebo použijte nepoškozený nasazovací nástroj. Pokud jste nasazovací nástroj zkontrolovali a nasadili, držte se Vy a v blízkosti nacházející se osoby mimo rovinu rotujícího nasazovacího nástroje a nechte elektronářadí běžet jednu minutu s nejvyššími otáčkami. Poškozené nasazovací nástroje většinou v této době testování prasknou.
- h) **Noste osobní ochranné vybavení (4).** Podle aplikace použijte ochranu celého obličej, ochranu očí nebo ochranné brýle. Taktéž adekvátně noste ochrannou masku proti prachu, ochranu sluchu, ochranné rukavice nebo speciální zástěru, jež Vás ochrání před malými částicemi brusiva a materiálu. Oči mají být chráněny před odletujícími cizími tělísky, jež vznikají při různých nasazeních. Protiprachová maska či respirátor musejí při nasazení vznikající prach odfiltrovat. Pokud jste dlouho vystaveni silnému hluku, můžete utrpět ztrátu sluchu.
- i) **Dbějte u ostatních osob na bezpečnou vzdálenost k Vaší pracovní oblasti. Každý, kdo vstoupí do této pracovní oblasti, musí nosit osobní ochranné vybavení.** Úlomky obrobku nebo zlomené nasazovací nástroje mohou odletnout a způsobit poranění i mimo přímou pracovní oblast.
- j) **Pokud provádíte práce, při kterých může nasazovací nástroj zasáhnout skrytá elektrická vedení nebo vlastní síťový kabel, pak držte elektronářadí na izolovaných plochách rukojeti.** Kontakt s vedením pod napětím může přivést napětí i na kovové díly elektronářadí a vést k úderu elektrickým proudem.
- k) **Držte síťový kabel daleko od otáčejících se nasazovacích nástrojů.** Když ztratíte kontrolu nad elektronářadím, může být přerušeno nebo zachyceno síťový kabel a Vaše paže nebo ruka se může dostat do otáčejícího se nasazovacího nástroje.
- l) **Nikdy neodkládejte elektronářadí dříve, než se nasazovací nástroj dostal zcela do stavu klidu.** Otáčející se nasazovací nástroj se může dostat do kontaktu s odkládací plochou, čímž můžete ztratit kontrolu nad elektronářadím.
- m) **Nenechte elektronářadí běžet po dobu, co jej nesete.** Váš oděv může být náhodným kontaktem s otáčejícím se nasazovacím nástrojem zachycen a nasazovací nástroj se může zavrtat do Vašeho těla.
- n) **Čistěte pravidelně větrací otvory Vašeho elektronářadí.** Ventilátor motoru vtahuje do tělesa prach a silné nahromadění kovového prachu může způsobit elektrická rizika.
- o) **Nepoužívejte elektronářadí v blízkosti hořlavých materiálů.** Jiskry mohou tyto materiály zapálit.
- p) **Nepoužívejte žádné nasazovací nástroje, které vyžadují kapalně chladící prostředky.** Použití vody nebo jiných kapalných chladících prostředků může vést k úderu elektrickým proudem.
- ## 2) ZPĚTNÝ RÁZ A ODPOVÍDÁJÍCÍ VAROVNÁ UPOZORNĚNÍ
- Zpětný ráz je náhlá reakce v důsledku zaseknutého nebo zablokovaného otáčejícího se nasazovacího nástroje, jako je brusný kotouč, brusný talíř, drátěný kartáč atd. Zaseknutí nebo zablokování vede k náhlému zastavení rotujícího nasazovacího nástroje. Tím nekontrolované elektronářadí akceleruje v místě zablokování proti směru otáčení nasazovacího nástroje.
 - Pokud se např. příči nebo blokuje brusný kotouč v obrobku, může se hrana brusného kotouče, která se zanojuje do obrobku, zakusnout a tím brusný kotouč vylomit nebo způsobit zpětný ráz. Brusný kotouč se potom pohybuje k nebo od obsluhující osoby, podle směru otáčení kotouče na místě zablokování. Při tom mohou brusné kotouče i prasknout.
 - Zpětný ráz je důsledek nesprávného nebo chybného použití elektronářadí. Lze mu zabránit vhodnými preventivními opatřeními, jak je následně popsáno.
- a) **Držte elektronářadí dobře pevně a dejte Vaše tělo a paže do polohy, ve které můžete zachytit síly zpětného rázu. Je-li k dispozici, použijte vždy přídavnou rukojeť, abyste měli co největší možnost kontroly nad silami zpětného rázu nebo reakčních momentů při rozpěhu.** Obsluhující osoba může vhodnými preventivními opatřeními zvládnout síly zpětného rázu a reakčního momentu.
- b) **Nedávejte Vaši ruku do blízkosti otáčejících se nasazovacích nástrojů.** Nasazovací nástroj se při zpětném rázu může pohybovat přes Vaši ruku.
- c) **Vyhýbejte se Vaším tělem oblast, kam se bude elektronářadí při zpětném rázu pohybovat.** Zpětný ráz vháni elektronářadí v místě zablokování do opačného směru k pohybu brusného kotouče.

- d) **Zvlášť opatrně pracujte v místech rohů, ostrých hran apod. Zabraňte, aby se nasazovací nástroje odrazil od obrobku a vzpříčil.** Rotující nasazovací nástroj je u rohů, ostrých hran a pokud se odrazi náchylny na vzpříčení se. Toto způsobí ztrátu kontroly nebo zpětný ráz.
- e) **Nepoužívejte žádný článkový nebo ozubený pilový kotouč.** Takovéto nasazovací nástroje způsobují často zpětný ráz nebo ztrátu kontroly nad elektronáradím.
- 3) BEZPEČNOSTNÍ VAROVÁNÍ SPECIFICKÁ PRO BROUŠENÍ A BRUSNÉ ODŘEZÁVÁNÍ**
- a) **Používejte výhradně pro Vaše elektronáradí schválená brusná tělesa a pro tato brusná tělesa určený ochranný kryt.** Brusná tělesa, která nejsou určena pro toto elektronáradí, nemohou být dostatečně stíněna a jsou nespolehlivá.
- b) **Zalomené brusné kotouče musejí být namontované tak, aby svou brusnou plochou nepřečnivaly nad rovinou okraje ochranného krytu.** Nesprávně namontovaný brusný kotouč, který vyčnívá nad rovinu okraje ochranného krytu, nemůže být dostatečně krytý.
- c) **Ochranný kryt musí být bezpečně na elektronáradí namontován a nastaven tak, aby bylo dosaženo maximální míry bezpečnosti, tzn. nejmenší možný díl brusného tělesa ukazuje nekrytý k obsluhující osobě.** Ochranný kryt má obsluhující osobu chránit před úlomky, případným kontaktem s brusným tělesem a jiskrami, které mohou zapálit oděv.
- d) **Brusná tělesa smějí být použita pouze pro doporučené možnosti nasazení.** Např. nikdy nebruste boční plochou dělicího kotouče. Dělicí kotouče jsou určeny k úběru materiálu hranou kotouče. Boční působení síly na tato brusná tělesa je může zlámat.
- e) **Používejte vždy nepoškozené upínací příruby ve správné velikosti a tvaru pro Vámi zvolený brusný kotouč.** Vhodné příruby podpirají brusný kotouč a zmírňují tak nebezpečí prasknutí brusného kotouče. Příruby pro dělicí kotouče se mohou odlišovat od přírub pro jiné brusné kotouče.
- f) **Nepoužívejte žádné opotřebované brusné kotouče od většího elektronáradí.** Brusné kotouče pro větší elektronáradí nejsou konstruovány pro vyšší otáčky menších elektronáradí a mohou prasknout.
- 4) DALŠÍ ZVLÁŠTNÍ VAROVNÁ UPOZORNĚNÍ K DĚLENÍ**
- a) **Zabraňte blokování dělicího kotouče nebo příliš vysokému přitlaku.** Neprovádějte žádné nadměrné hluboké řezy. Přetížení dělicího kotouče zvyšuje jeho namáhání a náchylnost ke vzpříčení nebo zablokování a tím možnou zpětného rázu nebo prasknutí brusného tělesa.
- b) **Vyhýbejte se oblasti před a za rotujícím dělicím kotoučem.** Pokud pohybujete dělicím kotoučem v obrobku pryč od sebe, může být v případě zpětného rázu elektronáradí s otáčejícím se kotoučem vymrštno přímo na Vás.
- c) **Jestliže se dělicí kotouč přičí nebo práci přerušíte, elektronáradí vypněte a vydržte v klidu než se kotouč zastaví. Nikdy se nepokoušejte ještě běžící dělicí kotouč vytáhnout z řezu, jinak může následovat zpětný ráz.** Zjistíte a odstraňte příčinu uvíznutí.

- d) **Elektronáradí opět nezapínajte, dokud se nachází v obrobku. Nechte dělicí kotouč nejprve dosáhnout svých plných otáček, než budete v řezu opatrně pokračovat.** Jinak se může kotouč vzpříčit, vyskočit z obrobku nebo způsobit zpětný ráz.
- e) **Desky nebo velké obrobky podepřete, aby se zabránilo riziku zpětného rázu od sevřeného dělicího kotouče.** Velké obrobky se mohou pod svou vlastní hmotností prohnut. Obrobek musí být podepřen na obou stranách a to jak v blízkosti dělicího řezu tak i na okraji.
- f) **Buďte obzvlášť opatrní u "kapsovitých řezů" do stávajících stěn nebo jiných míst, kam není vidět.** Zanořující se dělicí kotouč může při zařazení do plynových, vodovodních či elektrických vedení nebo jiných objektů způsobit zpětný ráz.
- 5) ZVLÁŠTNÍ VAROVNÁ UPOZORNĚNÍ KE SMIRKOVÁNÍ**
- a) **Nepoužívejte žádné předimenzované brusné listy, ale dodržujte údaje výrobce k velikosti brusného listu.** Brusné listy, které vyčnívají přes brusný talíř, mohou způsobit poranění a též vést k blokování, roztržení brusných listů nebo ke zpětnému rázu.
- 6) ZVLÁŠTNÍ VAROVNÁ UPOZORNĚNÍ K PRÁCI S DRÁTĚNÝMI KARTÁČI**
- a) **Dbejte na to, že drátěný kartáč i během běžného užívání ztrácí kusky drátu. Nepřetěžujte dráty příliš vysokým přitlakem.** Odlétající kusky drátu mohou velmi lehce proniknout skrz tenký oděv nebo pokožku.
- b) **Je-li doporučen ochranný kryt, zabraňte, aby se ochranný kryt a drátěný kartáč mohl dotýkat.** Talířové a hrcové kartáče mohou díky přítlaku a odstředivým silám zvětšit svůj průměr.

OBECNĚ

- Náradí není vhodné k broušení/řezání za mokra
- Používejte pouze příruby dodávané s tímto nástrojem
- Tento nástroj nesmí používat osoby mladší 16 let
- **Před seřizováním, měněním pilových listů a příslušenství, vždy vytáhněte zástrčku náradí z el. sítě**

PŘÍSLUŠENSTVÍ

- SKIL zajišťují bezvadnou funkci náradí pouze tehdy, používáte-li původní značkové
- **Používejte pouze brusné/řezné kotouče o maximální tloušťce 8 mm a průměru otvoru vřeten 22 mm**
- Při montáži nebo používání jiného příslušenství než značky SKIL se řište pokyny daného výrobce
- K nasazení brusných/řezných kotoučů s velkými otvory nikdy nepoužívejte redukce ani adaptéry
- Nikdy nepoužívejte příslušenství se "slepým" závitovým otvorem menším než M14 x 21 mm

VENKOVNÍ POUŽITÍ

- Zapojte nástroj přes jistič poruchového proudu (FI) se spouštěcím proudem max. 30 mA

PŘED POUŽITÍM

- Před prvním použitím nástroje doporučujeme získání praktických informací
- Vždy zkontrolujte, zda je napájecí napětí stejné jako napětí uvedené na typovém štítku nástroje (náradí určené k napájení 230V nebo 240V lze použít též v síti 220V)

- Vždy připevňte pomocnou rukojeť E ② a ochranný kryt F ②; bez nich nástroj nikdy nepoužívejte
- **Použijte vhodné hledací přístroje k vyhledání skrytých přírodních vedení nebo přizvěte místní dodavatelskou společnost** (kontakt s el. vedením může vést k požáru a elektrickému úderu; poškození plynového vedení může vést k explozi; proniknutí do vodovodního potrubí může způsobit věcné škody nebo elektrický úder)
- **Nepracovávajte žádný materiál obsahující azbest** (azbest je karcinogenní)
- Prach z látek, jako jsou barvy obsahující olovo, některé druhy dřeva, minerály a kovy, může být škodlivý (kontakt s prachem nebo jeho vdechnutí může způsobit alergickou reakci a/nebo vyvolat respirační choroby u obsluhy nebo přihlížejících); **nošte protiprachovou masku a pracujte se zařízením na odsávání prachu, pokud je možné jej připojit**
- Některé druhy prachu jsou klasifikovány jako karcinogenní (například dubový a bukový prach) zejména ve spojení s přísadami pro úpravu dřeva; **nošte protiprachovou masku a pracujte se zařízením na odsávání prachu, pokud je možné jej připojit**
- Dodržujte stanovená nařízení pro práci v prašném prostředí
- Při vyřezávání drážek především do nosných zdí buďte opatrní (drážky v nosných stěnách se řídí specifickými předpisy konkrétní země; tyto předpisy je nutno za vdech okolností dodržovat)
- **Zajistěte obráběný díl** (obráběný díl uchycený pomocí upinacích zařízení nebo ve svěráku je mnohem bezpečnější než v ruce)
- Neupínajte nástroj do svěráku
- Používejte zcela rozvinuté a bezpečné prodlužovací šňůry o kapacitě 16 ampér

BĚHEM POUŽITÍ

- Jestliže přírodní šňůru při práci podkódníte nebo proříznete, nedotýkejte se jí a okamžitě ji vytáhněte ze síťové zásuvky
- Píla se nesmí používat, je-li její přírodní šňůra poškozená; nechte si je kvalifikovaným pracovníkem vyměnit
- V případě atypického chování nebo cizích hluků ihned vypněte nářadí a vytáhněte zástrčku
- V případě přerušení proudu nebo při náhodném vytažení ze zásuvky ihned uvolněte spínač vypnuto/zapnuto H ②, aby nedošlo k nekontrolovanému opětovnému spuštění

PO POUŽITÍ

- Po vypnutí nástroje nikdy nezastavujte otáčení příslušenství tlakem ze strany

OBSLUHA

- Připevnění příslušenství ②
 - ! **rozpojte přírodní šňůru**
 - vyčistěte vřeten A a všechny části, které mají být připevněny
 - při stisknutí zajišťovacím tlačítko vřeten D utáhněte pomocí klíče C upinací přírubu B
 - ! **zajišťovací tlačítko vřeten D stiskněte pouze tehdy, je-li vřeten A v klidu**
 - při odstraňování příslušenství postupujte obráceně

- ! **brusné/řezné kotouče se během používání velmi zahřívají; nedotýkejte se jich, dokud nevychladnou**
- ! **při používání pískovacího příslušenství vždy připevňte výplňovou podložku**
- ! **nikdy nepoužívejte brusný/řezný kotouč bez štítku, který je na něj přilepený (je-li k dispozici)**
- Připevnění pomocné rukojeti E ⑥
 - ! **rozpojte přírodní šňůru**
 - našroubujte pomocnou rukojeť E na pravou, horní nebo levou stranu nástroje (podle druhu práce, kterou budete provádět)
- Odstranění/připevnění/seřizování ochranného krytu F ⑦
 - ! **rozpojte přírodní šňůru**
 - ! **zajistěte, aby uzavřená strana ochranného krytu směřovala vždy k obsluhující osobě**
- Před použitím nářadí
 - ujistěte se, že kotouč je správně usazen a pevně utažen
 - překontrolujte, zda se kotouč volně neprotáčí
 - bezpečně vyzkoušejte chod nářadí spuštěním alespoň na 30 vteřin v nejvyšším výkonu bez zatížení
 - okamžitě nářadí vypněte v případě velké vibrace nebo jiné závady, překontrolujte nářadí k zamezení těchto závad
- Zajišťovací spínač "zapnuto/vypnuto" H ⑧
 - zapněte nářadí ⑧ a
 - ! **dejte pozor na reakci nářadí při zapnutí motoru**
 - ! **nástroj přikládejte k obrobku až po dosažení maximálních otáček**
 - zajistěte spínač ⑧ b
 - uvolnění arétace/vypněte nářadí ⑧ c
 - ! **před vypnutím nářadí nejprve odejměte od obrobku**
 - ! **po vypnutí nářadí kotouč pokračuje v otáčivém pohybu, vyčkejte proto do úplného zastavení kotouče**
- Broušení ⑨
 - pohybujte nástrojem dozadu a dopředu pod mírným tlakem
 - ! **pro boční broušení nikdy nepoužívejte řezný kotouč**
- Řezání ⑩
 - nenaklánějte nástroj při řezání
 - nástrojem vždy pohybujte ve směru šipky na vřeteníku nástroje, aby nedošlo k nekontrolovanému vyklouznutí nástroje ze zářezu
 - na nástroj nevyvíjejte tlak; nechejte účinkovat rychlost řezného kotouče
 - pracovní rychlost řezného kotouče závisí na řezaném materiálu
 - nebrzděte řezné kotouče tlakem ze strany
- Držení a vedení nástroje
 - nástroj držte vždy pevně oběma rukama, jen tak budete mít v každém okamžiku nad nástrojem plnou kontrolu
 - ! **při práci vždy držte nástroj v šedě zabarvené oblasti rukojeti ⑪**
 - zaujměte bezpečný postoj
 - dávejte pozor na směr otáčení; držte nástroj vždy tak, aby jiskry a brusný nebo řezný prach létaly směrem od těla
 - udržujte větrací šterbiny J ② nezakryté

NÁVOD K POUŽITÍ

- Místo příruby B ② lze použít rychloupínací přírubu "CLIC" (příslušenství SKIL 2610388766); brusné/řezné kotočče lze připevnit bez použití klíčů z příslušenství
- Další tipy najdete na www.skil.com

ÚDRŽBA / SERVIS

- Tento nástroj není určen k profesionálnímu použití
- Nástroj a přívodní šňůru udržujte čisté (zejména větrací šterbiny J ②)
! nepokoušejte se je čistit tak, že strčíte hroty předmětů mezi větrací šterbiny
! před čištěním odpojte zástrčku
- Pokud dojde i přes pečlivou výrobu a náročné kontroly k poruše nástroje, svěťte provedení opravy autorizovanému servisnímu středisku pro elektronářadí firmy SKIL
 - zašlete nástroj **nerozebraný** spolu s potvrzením o nákupu své prodejně nebo nejbližšímu servisu značka SKIL (adresy a servisní schema nástroje najdete na www.skil.com)

ŽIVOTNÍ PROSTŘEDÍ

- **Elektrické nářadí, doplňky a balení nevyhazujte do komunálního odpadu** (jen pro státy EU)
 - podle evropské směrnice 2002/96/EG o nakládání s použitými elektrickými a elektronickými zařízeními a odpovídajících ustanovení právních předpisů jednotlivých zemí se použitá elektrická nářadí, musí sbírat odděleně od ostatního odpadu a podrobit ekologicky šetrnému recyklování
 - symbol ⑫ na to upozorňuje

PROHLÁŠENÍ O SHODĚ CE

- Prohlašujeme v plné naší zodpovědnosti, že v odstavci "Technická data" popsany výrobek je v souladu s následujícími normami nebo normativními dokumenty: EN 60745, EN 61000, EN 55014, podle ustanovení směrnice 2004/108/ES, 2006/42/ES, 2011/65/EU
- **Technická dokumentace** u: SKIL Europe BV (PT-SEU/EN G1), 4825 BD Breda, NL

Marijn van der Hoofden
Operations & Engineering

Olaf Dijkgraaf
Approval Manager

SKIL Europe BV, 4825 BD Breda, NL

05.08.2013

HLUČNOSTI/VIBRACÍ

- Měřeno podle EN 60745 číni tlak hlukové vlny tohoto přístroje 90 dB(A) a dávka hlučnosti 101 dB(A) (standardní odchylka: 3 dB), a vibrací * m/s² (metoda ruka-paže; nepřesnost K = 1,5 m/s²)
 - * při broušení 8,1 m/s²
 - * při smrkování 6,2 m/s²
- **! ostatní aplikace (jako např. vyřezávání nebo odrezování) mohou udávat jiné hodnoty vibrací**

- Úroveň vibrací byla měřena v souladu se standardizovaným testem podle EN 60745; je možné ji použít ke srovnání jednoho přístroje s druhým a jako předběžné posouzení vystavování se vibracím při používání přístroje k uvedeným aplikacím
 - používání přístroje k jiným aplikacím nebo s jiným či špatně udržovaným příslušenstvím může zásadně **zvýšit** úroveň vystavení se vibracím
 - doba, kdy je přístroj vypnutý nebo kdy běží, ale ve skutečnosti není využíván, může zásadně **snížit** úroveň vystavení se vibracím
- **! chráňte se před následky vibrací tak, že budete dbát na údržbu přístroje a příslušenství, budete si udržovat teplé ruce a uspořádáte si své pracovní postupy**

TR

Taşlama makinesi

9176

GİRİŞ

- Bu alet, şu kullanmadan metal ve taş malzemeleri taşlamak, kesmek ve çapaklarını almak üzere tasarlanmıştır; uygun aksesuarlar kullanılarak alet firçalama ve kumlama için de kullanılabilir
- Bu alet profesyonel kullanıma yönelik değildir
- **Taşlama taşı kesici tekerlekler ile yapılacak kesme işlemlerine yalnızca bir kesme koruyucu (opsiyonel SKIL aksesuarı olarak mevcuttur 2610399439) kullanıldığında izin verilir**
- Bu kullanma kılavuzunu okuyun ve saklayın ③

TEKNİK VERİLER ①

ALET BİLEŞENLERİ ②

- A Mil
- B Sikma kulağı
- C Anahtar
- D Mil kilitleme düğmesi
- E Yedek tutamak
- F Koruyucu
- G Montaj kulağı
- H Açma/kapama kilitleme şalteri
- J Havalandırma yuvaları

GÜVENLİK

GENEL GÜVENLİK TALİMATI

⚠ DİKKAT! **Bütün uyarıları ve talimat hükümlerini okuyun.** Açıklanan uyarılara ve talimat hükümlerine uyulmadığı takdirde elektrik çarpmalarına, yangınlara ve/veya ağır yaralanmalara neden olunabilir. **Bütün uyarıları ve talimat hükümlerini ileride kullanmak üzere saklayın.** Uyarı ve talimat hükümlerinde kullanılan "elektrikli el aleti" kavramı, akım şebekesine bağlı (şebeke bağlantı kablosu ile) aletlerle akü ile çalışan aletleri (akım şebekesine bağlantısı olmayan aletler) kapsamaktadır.

1) ÇALIŞMA YERİ GÜVENLİĞİ

- a) **Çalıştığınız yeri temiz ve düzenli tutun.** İşyerindeki düzensizlik veya yetersiz aydınlatma kazalara neden olabilir.
- b) **Yanıcı sıvıların, gazların veya tozların bulunduğunu patlama tehlikesi olan yer ve mekânlarda aletinizle çalışmayın.** Elektrikli el aletleri, toz veya buharların tutuşmasına veya yanmasına neden olan kıvılcımlar çıkarırlar.
- c) **Elektrikli el aletinizle çalışırken çocukları ve başkalarını çalışma alanınızın uzağında tutun.** Yakınızdaki bulunan kişiler dikkatinizi dağıtacak ve bu da alet üzerindeki kontrolünüzü kaybetmenize neden olabilir.

2) ELEKTRİKSEL GÜVENLİK

- a) **Aletinizin bağlantı fişi prize uymalıdır. Fişi hiçbir şekilde değiştirmeyin. Koruyucu topraklamalı aletlerle adaptörlü fiş kullanmayın.** Değiştirilmemiş, orijinal fiş ve uygun prizler elektrik çarpması tehlikesini azaltır.
- b) **Borular, kalorifer tesisatı, ısıtıcılar ve buzdolapları gibi topraklanmış yüzeylerle bedensel temasa gelmekten kaçının.** Eğer bedeniniz topraklanacak olursa yüksek bir elektrik çarpması tehlikesi ortaya çıkar.
- c) **Aletinizi yağmur ve nemden koruyun.** Elektrikli el aletinin içine suyun sızması elektrik çarpması tehlikesini yükseltir.
- d) **Kabloyu kendi amacı dışında kullanmayın; örneğin aleti kablodan tutarak taşımayın, aleti kablo ile asmayın veya kablodan çekerek fişi prizden çıkarmayın.** Kabloyu aşırı sıcaktan, yağlardan, keskin kenarlı cisimlerden veya aletin hareketli parçalarından uzak tutun. Hasarlı veya dolaşmış kablo elektrik çarpması tehlikesini yükseltir.
- e) **Elektrikli el aletinizle açık havada çalışırken mutlaka açık havada kullanılmaya müsadeeli uzatma kablosu kullanın.** Açık havada kullanılmaya uygun ve müsadeeli uzatma kablosunun kullanılması elektrik çarpması tehlikesini azaltır.
- f) **Elektrikli el aletinin nemli ortamlarda çalıştırılması şartsa, mutlaka toprak kaçağı devre kesicisi kullanın.** Toprak kaçağı devre kesicisi kullanımı elektrik çarpması tehlikesini azaltır.

3) KİŞİLERİN GÜVENLİĞİ

- a) **Dikkatli olun, ne yaptığınıza dikkat edin ve elektrikli el aletinizle çalışırken makul hareket edin.** Yorgunsanız, hap, ilaç veya alkol almışsanız aletinizi kullanmayın. Aletinizi kullanırken bir anlık dikkatsizliğiniz ciddi yaralanmalara yol açabilir.
- b) **Daima kişisel korunma donanımları ve bir koruyucu gözlük kullanın.** Elektrikli el aletinin türü ve kullanımına uygun olarak kullanacağınız toz maskesi, kaymayan sağlam iş ayakkabıları, koruyucu kask veya koruyucu kulaklık gibi kişisel korunma donanımlarını kullanmanız yaralanma tehlikesini büyük ölçüde azaltır.
- c) **Aleti yanlışlıkla çalıştırmaktan kaçının. Akım ikmal şebekesine ve/veya aküye bağlamadan, elinize alıp taşımadan önce elektrikli el aletinin kapalı durumda olduğundan emin olun.** Elektrikli el aletini parmağınız şalter üzerinde dururken taşırsanız ve alet açıkken fişi prize sokarsanız kazalara neden olabilirsiniz.
- d) **Aleti çalıştırmadan önce ayar aletlerini veya tornavidaları aletten uzaklaştırın.** Dönen alet

parçasına temas halinde bulunan bir uç veya anahtar yaralanmalara neden olabilir.

- e) **Kendinize çok fazla güvenmeyin. Duruşunuzun güvenli olmasına dikkat edin ve daima dengeyi koruyun.** Bu sayede aletinizi beklenmedik durumlarda daha iyi kontrol edersiniz.
 - f) **Uygun iş giysileri giyin. Çalışırken çok bol giysiler giymeyin ve takı takmayın. Saçlarınızı, giysilerinizi ve eldivenlerinizi aletin hareketli parçalarından uzak tutun.** Bol giysiler, takılar veya uzun saçlar aletin hareketli parçaları tarafından tutulabilir.
 - g) **Aletinize toz emme donanımı ve toz tutma donanımı takılabiliyorsa, bunların bağlı olup olmadığını ve doğru işlev görüp görmediklerini kontrol edin.** Toz emme donanımının kullanımı tozdan kaynaklanabilecek tehlikeleri azaltır.
- ### 4) ELEKTRİKLİ EL ALETLERİYLE DİKKATLİ ÇALIŞMAK VE ALETİ DOĞRU KULLANMAK
- a) **Aletinizi aşırı ölçüde zorlamayın. İşinize uygun elektrikli el aletini kullanın.** Uygun elektrikli el aleti ile belirtilen performans alanında daha iyi ve daha güvenli çalışırsınız.
 - b) **Açma/kapama şalteri arızalı olan elektrikli el aletini kullanmayın.** Açılıp kapanmayan bir elektrikli el aleti tehlikelidir ve onarılması gerekir.
 - c) **Alette bir ayarlama işlemine başlamadan ve/veya aküyü çıkarmadan önce, herhangi bir aksesuarı değiştirirken veya aleti elinizden bırakırken fişi prizden çekin.** Bu önlem, aletin kontrolünüz dışında ve istenmeden çalışmasını önler.
 - d) **Kullanım dışında iken elektrikli el aletinizi çocukların ulaşamayacağı bir yerde saklayın. Aleti kullanmayı bilmeyen veya bu güvenlik talimatını okumayan kişilerin aleti kullanmasına izin vermeyin.** Deneyimsiz kişiler tarafından kullanıldıkları takdirde elektrikli el aletleri tehlikeli olabilirler.
 - e) **Aletinizin bakımını özenle yapın. Aletin hareketli parçalarının kusursuz işlev görüp görmediklerini ve sıkışmadıklarını, parçaların kırık veya hasarlı olup olmadıklarını kontrol edin, aksi takdirde alet işlevini tam olarak yerine getiremez. Aletinizi kullanmadan önce hasarlı parçaları onartın.** Birçok iş kazası aletlerin kötü ve yetersiz bakımından kaynaklanır.
 - f) **Kesici uçları keskin ve temiz tutun.** İyi bakım görmüş kesici uçlar daha ender sıkıştırlar ve daha iyi yönlendirilirler.
 - g) **Elektrikli el aletlerini, aksesuarı, uçları ve benzerlerini bu güvenlik talimatına uygun olarak kullanın. Aletinizi kullanırken çalışma koşullarını ve yaptığınız işi daima dikkate alın.** Elektrikli el aletlerini kendileri için öngörülen işlerin dışında kullanmak tehlikeli durumların ortaya çıkmasına neden olabilir.
- ### 5) SERVİS
- a) **Aletinizi sadece uzman bir elemana ve orijinal yedek parçalar kullanılarak onartın.** Böylelikle aletin güvenliğini korumuş olursunuz.

TAŞLAMA MAKİNELERİ İÇİN GÜVENLİK TALİMATLARI

1) BÜTÜN İŞLEMLER İÇİN GÜVENLİK TALİMATLARI

- a) **Bu elektrikli el aleti taşılama, kumlu zımpara kağıdı ile zımparalama, ve kesici taşılama olarak kullanılmak üzere geliştirilmiştir. Elektrikli el aleti ile**

- birlikte teslim edilen bütün uyarılara, talimata, şekillere ve verilere uyun hareket edin.** Aşağıdaki talimat hükümlerine uymadığınız takdirde elektrik çarpması, yangın veya ağır yaralanma tehlikesi ile karşılaşabilirsiniz.
- b) **Bu elektrikli alet, polisaj işleri için tavsiye edilmez.** Bu elektrikli aletin yapması için tasarlandığı işlerin dışında kullanılması hasara ve kişisel yaralanmalara neden olabilir.
- c) **Üretici tarafından bu alet için öngörülmemen ve tavsiye edilmeyen hiçbir aksesuar kullanmayın.** Çünkü aletinize takabileceğiniz her aksesuar güvenli kullanımı garanti etmez.
- d) **Bu aletle kullanacağınız uçların müsaade edilen devir sayıları en azından alet üzerinde belirtilen en yüksek devir sayısı kadar olmalıdır.** Müsaade edilenden daha yüksek devir sayısı ile çalışan uçlar hasar görebilir.
- e) **Uçların dış çapları ve kalınlıkları elektrikli el aletinizin ölçülerine uymalıdır.** Yanlış ölçülere sahip uçlar yeterli ölçüde kontrol edilemez.
- f) **Dişli adaptör parçaları olan uçlar zımpara miline tam olarak uymalıdır.** Flanş yardımı ile takılan uçlarda uçların delik çapı flanşın bağlama çapına uygun olmalıdır. Elektrikli el aletine tam ve hassas biçimde tespit edilmeyen uçlar düzensiz dönerler, aşırı ölçüde titreşim yaparlar ve aletin kontrolünün kaybına neden olurlar.
- g) **Hasarlı uçları kullanmayın. Her kullanımdan önce taşlama disklerini soyulma ve çizik, zımpara tablalarını çizik, aşınma ve yıpranma, tel fırçaları gevşek ve kopuk tel açısından kontrol edin. Elektrikli el aleti veya uç yere düşecek olursa, hasar görüp görmediklerini kontrol edin veya hasar görmemiş bir uç kullanın. Ucu kontrol edip taktıktan sonra çevrede bulunanları uzaklaştırın ve elektrikli el aletini denemek üzere bir dakika kadar en yüksek devir sayısında çalıştırın.** Hasarlı uçlar genellikle bu test çalışmasında kırılır.
- h) **Kişisel korunma donanımı kullanın ④. Yaptığınız işe uygun olarak tam koruyucu yüz siperi, göz siperi veya koruyucu gözlük kullanın. Eğer uygunsuz ve gerekiyorsa, küçük taşlama ve malzeme parçacıklarını sizden uzak tutacak olan toz maskesi, koruyucu kaulaklık, koruyucu iş eldiveni veya özel çalışma önlüğü kullanın.** Gözler, çeşitli çalışma türleri sırasında ortaya çıkan ve gevreye savrulan nesnelere korunmalıdır. Toz veya soluma maskesi çalışma sırasında ortaya çıkan tozu filtre eder. Uzun süre aşırı ve çok yüksek gürültü altında kalırsanız işitme kaybına uğrayabilirsiniz.
- i) **Başkalarını çalışma yerinizden yeterli uzaklıkta tutun. Çalışma alanınıza giren herkes kişisel koruyucu donanım kullanmalıdır.** İş parçasından kopan parçaların veya kırılan uçlar fırlayabilir ve çalışma alanınızın dışında da yaralanmalara neden olabilir.
- j) **Çalışma esnasından geç görünmeyen elektrik kablolarına veya kendi bağlantı kablosuna temas etme olasılığı olan işleri yaparken aleti sadece izolasyonlu tutamaklardan tutun.** Gerilim ileten kablolarla temas elektrikli el aletinin metal parçalarını da

- elektrik akımına maruz bırakabilir ve elektrik çarpmasına neden olabilir.
- k) **Şebeke bağlantı kablosunu dönen uçtan uzak tutun.** Elektrikli el aletinin kontrolünü kaybederseniz şebeke kablosu uç tarafından kesilebilir veya yakalanabilir, eliniz veya kolunuz dönmekte olan uca temas edebilir.
- l) **Uç tam olarak durmadan elektrikli el aletini hiçbir zaman elinizden bırakmayın.** Dönmekte olan uç aletin bıraktığı zemine temas edebilir ve elektrikli el aletinin kontrolünü kaybedebilirsiniz.
- m) **Elektrikli el aletini taşırken çalıştırmayın.** Giysileriniz dönmekte olan uç tarafından tutulabilir ve elektrikli el aleti bedeninizde delme yapabilir.
- n) **Elektrikli el aletinizin havalandırma deliklerini düzenli olarak temizleyin.** Motor fanı tozları aletin gövdesine çeker ve biriken metal tozları elektrik çarpmasına neden olabilir.
- o) **Elektrikli el aletini yanabilir malzemelerin yakınında kullanmayın.** Kıvılcımlar bu malzemeyi tutuşturabilir.
- p) **Sıvı soğutucu madde gerektiren uçları kullanmayın.** Su veya diğer sıvı soğutucu maddelerin kullanımı elektrik çarpmasına neden olabilir.
- 2) GERİ TEPME VE BUNA İLİŞKİN UYARILAR**
- Geri tepme, taşlama diski, zımpara tablası, tel fırça ve benzeri uçların takılması veya bloke olması sonucu ortaya çıkan ani bir tepkidir. Takılma veya bloke olma dönmekte olan ucun ani olarak durmasına neden olur. Bunun sonucunda da kontrolden çıkan elektrikli el aleti blokaj yerinde ucun dönme yönünün tersine doğru ivmelenir.
 - Örneğin bir taşlama diski iş parçası içinde takılır veya bloke olursa, taşlama diskinin iş parçası içine giren kenarı tutulur ve bunun sonucunda da disk kırılır veya bir geri tepme kuvveti oluşturabilir. Taşlama diski blokaj yerinde dönme yönüne göre kullanıcıya doğru veya onun bulunduğu yerin tersine doğru hareket eder. Bu durumda taşlama diski kırılabilir.
 - Geri tepme elektrikli el aletinin yanlış veya hatalı kullanımının bir sonucudur. Geri tepme kuvveti aşağıda belirtilen önlemlerle önlenebilir.
- a) **Elektrikli el aletini sıcakta tutun ve bedeninizle kollarınızı geri tepme kuvvetlerini karşılayabilecek konuma getirin. Yüksek devirlerde geri tepme kuvvetlerini veya reaksiyon momentlerini kontrol edebilmek için eğer varsa daima ek tutamağı kullanın.** Kullanıcı kişi uygun önlemler alarak geri tepme kuvvetlerinin veya reaksiyon momentlerinin üstesinden gelebilir.
- b) **Elinizi hiçbir zaman dönmekte olan ucun yakınına getirmeyin.** Aletin ucu geri tepme durumlarında elinize doğru hareket edebilir.
- c) **Bedeninizi elektrikli el aletinin geri tepme kuvveti sonucu hareket edebileceği alandan uzak tutun.** Geri tepme kuvveti blokaj yerinde elektrikli el aletini taşlama diskinin dönüş yönünün tersine doğru hareket ettirin.
- d) **Özellikle köşeler, keskin kenarlı nesnelere ve benzeri yerlerde çok dikkatli çalışın. Ucun iş parçasına çarpıp geri çıkmasını ve sıkışmasını önleyin.** Dönmekte olan uç köşelerde, keskin kenarlarda veya çarpma durumunda sıkışmaya eğilimlidir. Bu durum kontrol kaybına veya geri tepme kuvvetlerinin oluşmasına neden olur.

- e) **Zincirli veya dışlı testere bıçağı kullanmayın.** Bu tip uçlar sık sık geri tepme kuvvetinin oluşmasına veya elektrikli el aletinin kontrolünün kaybına neden olur.
- 3) ZIMPARALAMA VE AŞINDIRICILI KESME İŞLEMLERİNE YÖNELİK ÖZEL GÜVENLİK UYARILARI**
- a) **Elektrikli el aletinizle sadece aletinizle kullanılmaya müsaadeli taşlama uçlarını ve bu uçlar için öngörülen koruyucu kapağı kullanın.** Elektrikli el aletiniz için öngörülmemiş taşlama uçları yeterli ölçüde kapatılamaz ve güvenli değildir.
- b) **Dirsekli taşlama diskleri, taşlama yüzeyleri koruyucu kapak kenarı düzlemine aşmayacak biçimde takılmalıdır.** Usulüne göre takılmamış, koruyucu kapak kenarını aşan bir taşlama diski yeterli ölçüde kapatılamaz.
- c) **Koruyucu kapak elektrikli el aletine güvenli biçimde takılmalı ve en yüksek güvenliği sağlayacak biçimde ayarlanmalıdır, yani taşlama malzemesinin mümkün olan en küçük açık bölümü kullanıcıyı göstermelidir.** Koruyucu kapak kullanıcıyı kırılan parçalara, taşlama malzemesi ile rastlantısal temasa karşı ve kıyafetleri tutuşturabilecek kıvılcımlardan korumalıdır.
- d) **Taşlama uçları sadece tavsiye edilen işlerde kullanılabilir.** Örneğin: Bir kesici taşlama ucunun yan tarafı ile taşlama yapmayın. Kesici taşlama uçları diskin kenarı ile malzeme kazıma için geliştirilmiştir. Bu taşlama diskinde yan taraftan kuvvet uygulanınca kırılabilir.
- e) **Daima seçtiğiniz taşlama diskinin uygun büyüklükte ve biçimde hasarsız bağlama flanşını kullanın.** Uygun flanşlar taşlama disklerini destekler ve kırılmalarını önler. Kesici taşlama disklerine ait flanşlar diğer taşlama diskleri için kullanılan flanşlardan farklılık gösterebilir.
- f) **Büyük elektrikli el aletlerine ait aşınmış taşlama diskleri kullanmayın.** Büyük elektrikli el aletlerine ait taşlama diskleri küçük elektrikli el aletlerinin yüksek devirlerine göre tasarlanmamış olup, kırılabilirler.
- 4) KESİCİ TAŞLAMA İÇİN DİĞER ÖZEL UYARILAR**
- a) **Kesici taşlama diskinin bloke olmasını önleyin ve yüksek bastırma kuvveti uygulamayın. Çok derin kesme işleri yapmayın.** Kesici taşlama diskinin aşırı yük bindirilecek olursa köşelenme yapma olasılığı veya bloke olma olasılığı artar ve bunun sonucunda da geri tepme kuvvetlerinin oluşma veya diskin kırılma tehlikesi ortaya çıkar.
- b) **Dönmekte olan kesici taşlama diskinin arkasına geçmeyin.** İş parçası içindeki kesici taşlama diskinin kendi yönünün tersine hareket ettirirseniz, elektrikli aletinin geri tepme durumunda dönmekte olan disk bedeninize doğru savrulabilir.
- c) **Kesici taşlama diski sıkıştırsa veya siz işe ara verirsiniz, elektrikli el aletini kapatın ve disk tam olarak duruncaya kadar aleti sakince tutun. Halen dönmekte olan kesici taşlama diskinin hiçbir zaman kesme hattından çıkarmaya denemeyin, aksi takdirde ortaya geri tepme kuvvetleri çıkabilir.** Sıkışmanın nedenlerini tespit edin ve bunları ortadan kaldırın.
- d) **Elektrikli el aletini iş parçası içinde bulunduğu sürece tekrar çalıştırmayın. Kesici taşlama diskinin en yüksek devre ulaşmasını bekleyin ve sonra kesme işlemine dikkatli biçimde devam edin. Aksi**

- takdirde disk açılma yapabilir, iş parçasından dışarı fırlayabilir veya bir geri tepme kuvvetine neden olabilir.
- e) **Kesici taşlamanın sıkışması durumunda ortaya çıkabilecek geri tepme kuvvetlerinden düşürmek için levhaları veya büyük iş parçalarını destekleyin.** Büyük iş parçaları kendi ağırlıkları nedeniyle bükülebilir. Bu gibi iş parçaları her iki taraftan da desteklenmelidir; hem kesici taşlama diskinin yanından hem de kenardan.
- f) **Duvarlardaki veya diğer görünmeyen yüzeylerdeki “Cep biçimli içten kesme” işlerinde özellikle dikkatli olun.** Malzeme içine dalan kesici taşlama diski gaz, su veya elektrik kablolarını veya başka nesnelere keserse geri tepme kuvvetleri oluşur.
- 5) KUMLU KAĞIT ZIMPARA/TAŞLAMA DİSKLERİNİN KULLANIMI HAKKINDA ÖZEL UYARILAR**
- a) **Ölçüleri gerektiğinden büyük olan zımpara kağıtları kullanmayın, zımpara kağıdı üreticilerinin bu konudaki büyüklük ölçülerine uyun.** Zımpara tablasının dışına taşan zımpara kağıtları yaralanmalara, blokaja, yırtılmaya, çizilmeye veya geri tepme kuvvetlerine neden olabilir.
- 6) TEL FIRÇALARLA ÇALIŞMAYA AİT ÖZEL UYARILAR**
- a) **Tel fırçanın normal kullanımda da tel parçalarının kaybolmasına dikkat edin. Tellere çok yüksek bastırma gücü uygulamayın.** Fırçayan tel parçaları kolaylıkla ince giysiler ve/vay cilt içine girebilir.
- b) **Koruyucu kapak kullanıyorsanız, koruyucu kapağın tel fırça ile temasa gelmemesini önlemenizi tavsiye ederiz.** Tablaların ve çanak fırçaların çapları bastırma kuvveti ve merkezkaç kuvveti sonucu büyüyebilir.

GENEL

- Bu alet sulu taşlama ve kesme işlerine uygun değildir
- Verilen kulakları yalnız bu araçla kullanın
- Bu alet 16 yaşının altındaki kişiler tarafından kullanılmamalıdır
- **İstedığınız ayar değişikliklerini ve aksesuar değişikliklerini yapmadan önce mutlaka şebeke fişini prizden çekin**

AKSESUARLAR

- SKIL sadece orijinal aksesuarlar kullanıldığında aletinin düzgün çalışmasını garanti eder
- **Yalnızca maksimum kalınlığı 8 mm ve mil deliği çapı 22 mm olan taşlama/kesme diskleri kullanın**
- SKIL olmayan aksesuarların montajı/kullanımı için üreticisi tarafından verilen açıklamaları inceleyin
- Geniş delikli taşlama/kesme disklerini uydurmak için hiçbir zaman daraltıcı parçalar veya adaptörler kullanmayın
- M14 x 21 mm'den küçük “kör” diş çukuru olan aksesuarlar kullanmayın

DİSARIDA KULLANIM

- Aleti en fazla 30 mA tetikleme akımında kesen akım sigortasına (FI) bağlayarak kullanın

KULLANMADAN ÖNCE

- Aleti ilk kez kullanmadan önce pratik bilgiler alınması önerilir
- Güç geriliminin, aletinin özellik plakasında belirtilen voltaj değeriyle aynı olduğunu sık sık kontrol edin (230V veya 240V aletler 220V kaynağa bağlanabilir)
- Her zaman E 2) yardımcı kulpu ve F 2) koruyucusunu takın, aleti bunlar olmadan kesinlikle kullanmayın

- **Görünmeyen elektrik kablolarını belirlemek için uygun bir tarama cihazı kullanın veya yerel akım ikmal şirketlerinden yardım isteyin** (elektrik kablolarıyla temas, yangın çıkması veya elektrik çarpmalarına neden olabilir; bir gaz borusu hasar görürse patlama tehlikesi ortaya çıkar; bir su borusunun delinmesi halinde maddi hasarlar meydana gelebilir veya elektrik çarpmaya tehlikesi ortaya çıkabilir)
- **Bu aletle asbest içeren malzemeleri işlemeyin** (asbest kanserojen bir madde kabul edilir)
- Kurşun içeren boya, bazı ahşap türleri, mineral ve metal gibi malzemelerden çıkan toz zararlı olabilir (tozla temasta bulunulması veya solunması operatörde veya yakında bulunan kişilerde alerjik reaksiyonlara ve/veya solunum yolu hastalıklarına neden olabilir); **toz maskesi takın ve toz ekstraksiyon cihazıyla çalışın (bağlanabiliyorsa)**
- Bazı toz tipleri (örneğin meşe ve kayın ağacı tozu), bilhassa ahşap yenileme katkı maddeleriyle birlikte, karsinojenik olarak sınıflandırılır; **toz maskesi takın ve toz ekstraksiyon cihazı ile çalışın (bağlanabiliyorsa)**
- Çalışmak istediğiniz malzemelerin, toz ile ilgili ulusal taleplerini takip ediniz
- Özellikle destek duvarlarında oluklar açarken dikkatli olun (destek duvarlarındaki delikler ülkeye özel kurallara bağlıdır; çalışmaya başlamadan önce bu kurallar tüm koşullar için sorumlu inşaat mühendisi)
- **Çalıştığınız parçayı sabitleyin** (kısaçaklarla ya da menegenyle sabitlenmiş bir iş parçası elle tutulan işten daha güvenlidir)
- Aleti menegenyle sıkı tutmayın
- Tamamen kusursuz ve güvenli 16 Amp uzatma kabloları kullanın

KULLANIM SIRASINDA

- Eğer cihazı kullanırken kordon hasar görür yada kesilirse, kordona kesinlikle dokunmayınız ve derhal fişi çekiniz
- Kordon hasarlı iken cihazı kesinlikle kullanmayınız; uzman bir kişi tarafından değiştirtiniz
- Elektriksel veya mekaniksel hatalı çalışma durumunda aleti hemen kapatın ve fişi çekin
- Akım kesilmesi sırasında veya fişin yanlışlıkla yerinden çıkması durumunda H ② açma/kapatma anahtarının kilidini hemen açın beklenmeyen bir anda çalışmaya başlamasını engellemek için

KULLANIMDAN SONRA

- Aleti kapatıktan sonra hiçbir zaman yandan güç vererek aksesuarın dönüşünü durdurmayın

KULLANIM

- Aksesuarların takılması ②
- ! **şebeke fişini çekin**
- A milini ve takılan tüm parçaları temizleyin
- D mil kilidi düğmesini iterken B sıkıma kulagını C anahtarı ile sıkın
- ! **D mil kilidini yalnızca A mili hareketsizken itin**
- aksesuarları çıkartmak için tersini yapın
- ! **kullanım sırasında taşlama/kesme diskleri çok ısınır; soguyana kadar bunlara dokunmayın**
- ! **kuşlama aksesuarları kullanırken her zaman destek yastığı takın**

! **hiçbir zaman yapılandırılmış etiketi olmayan taşlama/kesme diski kullanmayın (eğer mevcutsa)**

- E yardımcı kuvvet takılması ⑥
- ! **şebeke fişini çekin**
- yardımcı tutamağı E aletin sağ tarafına, üst tarafına veya sol tarafına vidalayın (yapılacak işe göre)
- F koruyucusunun çıkartılması/takılması/ayarlanması ⑦
- ! **şebeke fişini çekin**
- ! **koruyucusunun kapalı tarafının her zaman çalışana doğru olmasına dikkat edin**
- Aletinizi kullanmadan önce
 - aksesuarların doğru olarak monte edildiğinden ve iyice sıkılmış olduğundan emin olunuz
 - monte edilen aksesuarın serbestçe işleyip işlemediğini el ile döndürerek kontrol ediniz
 - aleti güvenli bir pozisyonda tutup, en az 30 saniye maksimum hızda ve boşta çalıştırarak bir deneme işletimi yapın
 - hissedilir derecede titreşim veya başka bozukluklar olması halinde aleti hemen kapatın ve muhtemel bozuklukların nedenlerini tespit edin
- Açma/kapama kilitleme şalteri H ⑧
 - aleti çalıştırın ③a
 - ! **alet açılınca ortaya çıkacak ani sarsıntıya dikkat edin**
 - ! **aksesuar iş parçasına temas etmeden önce en yüksek devir sayısına ulaşılmalıdır**
 - şalteri kilitleyin ③b
 - şalteri kilitlemeyi açın/aleti kapatın ③c
 - ! **aleti kapatmadan önce iş parçası üzerinden kaldırın**
 - ! **aleti kapatıktan sonra, aksesuar bir kaç saniye dana dönmeye devam eder**
- Taşlama ⑨
 - aleti hafif bir baskıyla ileri geri hareket ettirin
 - ! **kenar taşlama için hiçbir zaman kesme diski kullanmayın**
- Kesme ⑩
 - kesme işlerinde aleti eğmeyin
 - aletin kontrol edilemez bir şekilde kesimden çıkmasını engellemek için aleti her zaman aletin başındaki ok yönünde hareket ettirin
 - araca bir baskı uygulamayın; kesme diskinin hızının isini yapmasını bekleyin
 - kesme diskinin çalışma hızı kesilen malzemeye bağlıdır
 - kesme diskini yandan bir baskıyla frenlemeyin
- Aletin tutulması ve kullanılması
 - aleti her zaman iki elinizle sıkıca tutun, böylece aletin kontrolü her zaman sizde olacaktır
 - ! **çalışma esnasında, aleti daima gri renkli bölge(ler)den tutun(uz)** ⑪
 - sağlam bir yüzeyde çalışın
 - dönme yönüne dikkat edin; aleti her zaman kıvılcıkların ve taşlama/kesme tozunun vücuttan uzağa doğu gideceği şekilde tutun
 - havalandırma yuvalarını J ② açık tutun

UYGULAMA

- B ② kulagı yerine "CLIC" hızlı sıkma kulagı (SKIL aksesuarı 2610388766) kullanılabilir; böylece taşılama/kesme diskleri aksesuar anahtarlar olmadan takılabilirler
- Daha fazla ipucu için www.skil.com sitesini gezin

BAKIM / SERVİS

- Bu alet profesyonel kullanıma yönelik değildir
- Aleti ve kablosunu daima temiz tutun (özellikle havalandırma yuvalarını J ②)
- ! **havalandırma yuvalarını sivri uçlu nesnelere sokarak temizlemeyi denemeyin**
- ! **temizlemeden önce, cihazın fişini prizden çekin**
- Dikkatli biçimde yürütülen üretim ve test yöntemlerine rağmen aletleri arızaya yapacak olursa, onarım SKIL elektrikli aletleri için yetkili bir serviste yapılmalıdır
 - aleti ambalajıyla birlikte satın alma belgenizde ekleyerek satıcınıza veya en yakın SKIL servisine ulaştırın (adresler ve aletin servis şemaları www.skil.com adresinde listelenmiştir)

ÇEVRE

- **Elektrikli aletlerini, aksesuarları ve ambalajları evdeki çöp kutusuna atmayınız** (sadece AB ülkeleri için)
 - kullanılmış elektrikli aletleri, elektrik ve elektrikli eski cihazlar hakkındaki 2002/96/EC Avrupa yönergelerine göre ve bu yönergeler ulusal hukuk kurallarına göre uyarlanarak, ayrı olarak toplanmalı ve çevre şartlarına uygun bir şekilde tekrar değerlendirilmeye gönderilmelidir
 - sembol ⑫ size bunu anımsatmalıdır

UYGUNLUK BEYANI CE

- Tek sorumlu olarak "Teknik veriler" bölümünde tanımlanan ürünün aşağıdaki norm veya normatif belgelere uygunluğunu beyan ederiz: EN 60745, EN 61000, EN 55014 yönetmelik hükümleri uyarınca 2004/108/EG, 2006/42/EG, 2011/65/EU
- **Teknik belgelerin bulunduğu merkez:** SKIL Europe BV (PT-SEU/ENG1), 4825 BD Breda, NL

Marijn van der Hoofden
Operations & Engineering

Olaf Dijkgraaf
Approval Manager

SKIL Europe BV, 4825 BD Breda, NL

05.08.2013

GÜRÜLTÜ/TİTREŞİM

- Ölçülen EN 60745 göre ses basıncı bu makinanın seviyesi 90 dB(A) ve çalışma sırasındaki gürültü 101 dB(A) (standart sapma: 3 dB), ve titreşim * m/s² (el-kol metodu; tolerans K = 1,5 m/s²)
 - * yüzey taşılama esnasında 8,1 m/s²
 - * zımparalama esnasında 6,2 m/s²
- ! **farklı uygulamalarda (kesme veya metal fırçalama) farklı titreşim seviyeleri oluşabilir**

- Titreşim emisyon seviyesi EN 60745'te sunulan standart teste göre ölçülmüştür; bu seviye, bir aleti bir başkasıyla karşılaştırmak amacıyla ve aletin söz konusu uygulamalarda kullanılmasında titreşim maruz kalma derecesinin ön değerlendirmesi olarak kullanılabilir
 - aletin farklı uygulamalar için veya farklı ya da bakımı yetersiz yapılmış aksesuarlarla kullanılması, maruz kalma seviyesini belirgin biçimde **arttırabilir**
 - aletin kapalı olduğu veya çalıştığı ancak gerçek anlamda iş yapmadığı zamanlarda, maruz kalma seviyesi belirgin biçimde **azalabilir**
- ! **aletin ve aksesuarlarının bakımını yaparak, ellerinizi sıcak tutarak ve iş modellerinizi düzenleyerek kendinizi titreşimin etkilerinden koruyun**

PL

Szlifierka kątowa

9176

WSTĘP

- Narzędzie jest przeznaczone do szlifowania, cięcia i stępania ostrych krawędzi metalu i kamienia, bez konieczności stosowania wody; przy użyciu odpowiedniego dodatkowego wyposażenia narzędzia można również używać do szcztokowania i piaskowania
- Narzędzie nie jest przeznaczone do zastosowań profesjonalnych
- **Wykonywanie cięć za pomocą ściernicy do cięcia jest dozwolone jedynie po zamontowaniu osłony przeznaczonej dla ściernicy (dostępnej jako akcesorium dodatkowe SKIL 2610399439)**
- Przeczytać i zachować niniejszą instrukcję obsługi ③

DANE TECHNICZNE ①

ELEMENTY NARZĘDZIA ②

- A Wrzeciono
- B Kółnik zaciskowy
- C Klucz
- D Przycisk blokady wrzeciona
- E Uchwyt dodatkowy
- F Osłona ochronna
- G Kółnik mocujący
- H Włącznik/wyłącznik blokujący
- J Szczeliny wentylacyjne

BEZPIECZEŃSTWO

OGÓLNE PRZEPISY BEZPIECZEŃSTWA

UWAGA! Należy przeczytać wszystkie wskazówki i przepisy. Błędy w przestrzeganiu poniższych wskazówek mogą spowodować porażenie prądem, pożar i/lub ciężkie obrażenia ciała. **Należy starannie przechowywać wszystkie przepisy i wskazówki bezpieczeństwa dla dalszego zastosowania.** Użyte w poniższym tekście pojęcie "elektronarzędzie" odnosi się do elektronarzędzi zasilanych energią elektryczną z sieci (z przewodem

zasilającym) i do elektronarzędzi zasilanych akumulatorami (bez przewodu zasilającego).

1) BEZPIECZEŃSTWO MIEJSCA PRACY

- a) **Miejsce pracy należy utrzymywać w czystości i dobrze oświetlone.** Nieporządek lub nie oświetlone miejsce pracy mogą doprowadzić do wypadków.
- b) **Nie należy pracować tym narzędziem w otoczeniu zagrożonym wybuchem, w którym znajdują się np. łatwopalne ciecze, gazy lub pyły.** Elektronarzędzia wytwarzają iskry, które mogą podpalić ten pył lub pary.
- c) **Elektonarzędzie trzymać podczas pracy z daleka od dzieci i innych osób.** Przy nieuwadze można stracić kontrolę nad narzędziem.

2) BEZPIECZEŃSTWO ELEKTRYCZNE

- a) **Wtyczka urządzenia musi pasować do gniazda. Nie wolno modyfikować wtyczki w jakikolwiek sposób. Nie należy używać wtyczek adapterowych razem z uziemnionymi narzędziami.** Niezmienione wtyczki i pasujące gniazda zmniejszają ryzyko porażenia prądem.
- b) **Należy unikać kontaktu z uziemnionymi powierzchniami jak rury, grzejniki, piece i lodówki.** Istnieje zwiększone ryzyko porażenia prądem, gdy Państwa ciało jest uziemnione.
- c) **Urządzenie należy przechowywać zabezpieczone przed deszczem i wilgocią.** Wniknięcie wody do elektronarzędzia podwyższa ryzyko porażenia prądem.
- d) **Nigdy nie należy używać kabla do innych czynności. Nigdy nie używać kabla do noszenia urządzenia za kabel, zawieszenia lub do wyciągania wtyczki z gniazda. Kabel należy trzymać z daleka od wysokich temperatur, oleju, ostrych krawędzi lub ruchomych części urządzenia.** Uszkodzone lub poplątane kable zwiększają ryzyko porażenia prądem.
- e) **W przypadku, kiedy elektronarzędziem pracuje się na świeżym powietrzu należy używać kabla przedłużającego, który dopuszczony jest do używania na zewnątrz.** Użycie dopuszczonego do używania na zewnątrz kabla przedłużającego zmniejsza ryzyko porażenia prądem.
- f) **Jeżeli nie da się uniknąć zastosowania elektronarzędzia w wilgotnym otoczeniu, należy użyć wyłącznika ochronnego różnicowo-prądowego.** Zastosowanie wyłącznika ochronnego różnicowo-prądowego zmniejsza ryzyko porażenia prądem.

3) BEZPIECZEŃSTWO OSÓB

- a) **Należy być uważnym, uważać na to co się robi i pracę elektronarzędziem rozpoczynać z rozsądkiem. Nie należy używać urządzenia gdy jest się zmęczonym lub pod wpływem narkotyków, alkoholu lub lekarstw.** Moment nieuwagi przy użyciu urządzenia może doprowadzić do poważnych urażeń ciała.
- b) **Należy nosić osobiste wyposażenie ochronne i zawsze okulary ochronne.** Noszenie osobistego wyposażenia ochronnego jak maska przeciwpyłowa, nie ślizgające się buty robocze, hełm ochronny lub ochrona słuchu, w zależności od rodzaju i zastosowania elektronarzędzia zmniejsza ryzyko obrażeń ciała.
- c) **Należy unikać niezamierzonego uruchomienia narzędzia. Przed włożeniem wtyczki do gniazdka i/ lub podłączeniem do akumulatora, a także przed podniesieniem lub przeniesieniem elektronarzędzia,**

należy upewnić się, że elektronarzędzie jest wyłączone. Trzymanie palca na wyłączniku podczas przenoszenia elektronarzędzia lub podłączenie do prądu włączanego narzędzia, może stać się przyczyną wypadków.

- d) **Zanim urządzenie zostanie włączone należy usunąć narzędzia nastawcze lub klucze.** Narzędzie lub klucz, które znajdują się w ruchomych częściach urządzenia mogą doprowadzić do obrażeń ciała.
 - e) **Nie należy przeceniać swoich możliwości. Należy dbać o bezpieczną pozycję pracy i zawsze utrzymywać równowagę.** Przez to możliwa jest lepsza kontrola urządzenia w nieprzewidywanych sytuacjach.
 - f) **Należy nosić odpowiednie ubranie. Nie należy nosić luźnego ubrania lub biżuterii. Włosy, ubranie i rękawice należy trzymać z daleka od ruchomych elementów.** Luźne ubranie, biżuteria lub długie włosy mogą zostać pociągnięte przez poruszające się części.
 - g) **W przypadku, kiedy możliwe jest zamontowanie urządzeń odsysających lub podchwytyjących należy upewnić się, czy są one właściwie podłączone i prawidłowo użyte.** Użycie urządzenia odsysającego pył może zmniejszyć zagrożenie pyłami.
- ### 4) UWAŻNE OBCOWANIE ORAZ UŻYCIE ELEKTRONARZĘDZIA
- a) **Nie należy przeceniać urządzenia. Do pracy używać należy elektronarzędzia, które jest do tego przewidziane.** Odpowiednim narzędziem pracuje się lepiej i bezpieczniej w podanym zakresie sprawności.
 - b) **Nie należy używać elektronarzędzia, którego włącznik/wyłącznik jest uszkodzony.** Elektronarzędzie, którego nie można włączyć lub wyłączyć jest niebezpieczne i musi zostać naprawione.
 - c) **Przed regulacją urządzenia, wymianą osprzętu lub po zaprzestaniu pracy narzędziem, należy wyciągnąć wtyczkę z gniazda i/lub usunąć akumulator.** Ten środek ostrożności zapobiega niezamierzonemu włączeniu się urządzenia.
 - d) **Nie używane elektronarzędzia należy przechowywać poza zasięgiem dzieci. Nie należy udostępniać narzędzia osobom, które jego nie umieją lub nie przeczytały tych przepisów.** Używane przez niedoświadczonych osoby elektronarzędzia są niebezpieczne.
 - e) **Urządzenie należy starannie konserwować. Należy kontrolować, czy ruchome części urządzenia funkcjonują bez zarzutu i nie są zablokowane, czy części nie są pęknięte lub uszkodzone, co mogłoby mieć wpływ na prawidłowe funkcjonowanie urządzenia. Uszkodzone narzędzie należy przed użyciem urządzenia oddać do naprawy.** Wiele wypadków spowodowanych jest przez niewłaściwą konserwację elektronarzędzi.
 - f) **Osprzęt tnący należy utrzymywać ostry i czysty.** Starannie pielęgnowany osprzęt tnący z ostrymi krawędziami tnącymi blokuje się rzadziej i łatwiej się używa.
 - g) **Elektronarzędzia, osprzęt, narzędzia itd. należy używać odpowiednio do tych przepisów. Uwzględnić należy przy tym warunki pracy i czynność do wykonania.** Użycie elektronarzędzi do

innych niż przewidziane prace może doprowadzić do niebezpiecznych sytuacji.

5) SERWIS

- a) **Naprawę urządzenia należy zlecić jedynie kwalifikowanemu fachowcowi i przy użyciu oryginalnych części zamiennych.** To gwarantuje, że bezpieczeństwo użytkownika zostanie zachowane.

PRZEPISY BEZPIECZEŃSTWA DO SZLIFIERKI KĄTOWEJ

1) PRZEPISY BEZPIECZEŃSTWA DOTYCZĄCE WSZYSTKICH ZASTOSOWAŃ

- a) **Elektronarzędzie należy używać jako szlifierki, szlifierki z użyciem okładziny ścierniej, szczotki drucianej, maszyny do przecinania ściernicą. Wszystkie przestżegające wszystkich wskaźników ostrzegawczych, przepisów, opisów i danych, które otrzymali Państwo wraz z elektronarzędziem.** Jeśli nie będą przestrzegane następujące przepisy, może dojść do porażenia prądem, pożaru i/lub ciężkich obrażeń ciała.
- b) **Nie powinno być używane do polerowania.** Stosowanie elektronarzędzia w operacjach, do których nie jest przeznaczone, może spowodować zagrożenie i obrażenia ciała.
- c) **Nie należy używać osprzętu, który nie jest przewidziany i polecany przez producenta specjalnie do tego elektronarzędzia.** To, że można przymocować osprzęt do elektronarzędzia, nie gwarantuje bezpiecznego użycia.
- d) **Dopuszczalna prędkość obrotowa używanego narzędzia musi być co najmniej tak wysoka jak największa prędkość obrotowa podana na elektronarzędziu.** Osprzęt, który obraca się szybciej niż jest to dopuszczalne, może zostać zniszczony.
- e) **Średnica zewnętrzna i grubość używanego narzędzia muszą odpowiadać danym wymiarom Państwa elektronarzędzia.** Używanych narzędzi o niewłaściwych wymiarach nie można wystarczająco osłonić lub kontrolować.
- f) **Narzędzia robocze z wkładką gwintowaną muszą dokładnie pasować na gwint na wrzecionie.** W przypadku narzędzi roboczych, mocowanych przy użyciu kołnierza średnica otworu narzędzia roboczego musi być dopasowana do średnicy kołnierza. Narzędzia robocze, które nie mogą być dokładnie osadzone na elektronarzędziu, obracając się nierównomiernie, bardzo mocno wibrują i mogą spowodować utratę kontroli nad elektronarzędziem.
- g) **Nie należy używać żadnych narzędzi, które są uszkodzone.** Należy skontrolować przed każdym użyciem używane narzędzia takie jak ściernice pod względem odprysków i pęknięć, tarcze szlifierskie pod względem pęknięć, starcia lub silnego zużycia, szczotki druciane pod względem luźnych lub złamanych drutów. W przypadku, gdy elektronarzędzie lub używane narzędzie upadnie, należy skontrolować, czy nie jest uszkodzone, lub użyć narzędzia, które jest nieuszkodzone. Jeśli narzędzie zostało sprawdzone i umocowane, powinni przebywać Państwo i osoby znajdujące się w pobliżu poza obszarem obracającego się
- narzędzia, a elektronarzędzie należy pozostawić włączone przez minutę na najwyższych obrotach.** Uszkodzone narzędzia łamią się w tym czasie próbnym.
- h) **Należy nosić osobiste wyposażenie ochronne ④. W zależności od użycia, należy nosić maskę ochronną pokrywającą całą twarz, ochronę oczu lub okulary ochronne. Gdy jest to stosowne, należy nosić maskę przeciwpyłową, ochronę słuchu, rękawice ochronne lub specjalny fartuch, który utrzymuje z daleka od Państwa małe cząstki ściernego i obrabianego materiału.** Oczy muszą być chronione przed poruszającymi się w powietrzu ciałami obcymi, które powstają przy różnych sposobach użycia. Maskę przeciwpyłową i ochronna dróg oddechowych muszą filtrować powstające podczas pracy pył. W przypadku, gdy pozostaje się długo pod wpływem hałasu, można utracić słuch.
- i) **Należy uważać, by inne osoby znajdowały się w bezpiecznym oddaleniu do Państwa zakresu pracy.** Każdy, kto wkroczy w zakres pracy, musi nosić osobiste wyposażenie ochronne. Odłamki obrabianego przedmiotu lub złamanych używanych narzędzi mogą zostać odrzucone i spowodować obrażenia również poza bezpośrednim zakresem pracy.
- j) **Podczas wykonywania prac, przy których narzędzie robocze mogłoby natrafić na ukryte przewody elektryczne lub na własny przewód zasilający, elektronarzędzie należy trzymać tylko za izolowane powierzchnie rękojeści.** Kontakt z przewodem sieci zasilającej może spowodować przekazanie napięcia na części metalowe elektronarzędzia, co mogłoby spowodować porażenie prądem elektrycznym.
- k) **Kabel zasilający należy trzymać z dala od obracającego się narzędzia.** Jeśli straci się kontrolę nad narzędziem, kabel zasilający może zostać przecięty lub ujęty i dłoń lub ręka może dostać się w obracające się używane narzędzie.
- l) **Nigdy nie wolno odkładać elektronarzędzia zanim narzędzie się zupełnie nie zatrzyma.** Obracające się narzędzie może wejść w kontakt z powierzchnią, na którą jest odłożone, przez co można stracić kontrolę nad elektronarzędziem.
- m) **Nie wolno pozostawiać elektronarzędzia włączonego podczas przenoszenia.** Ubranie może zostać ujęte przez przypadkowy kontakt z obracającym się narzędziem, i narzędzie może się wwiercić w Państwa ciało.
- n) **Należy regularnie oczyszczać szczeliny wentylacyjne Państwa elektronarzędzia.** Dmuchawa silnika wciąga pył do obudowy, a duże nagromadzenie pyłu metalowego może spowodować zagrożenie elektryczne.
- o) **Nie należy używać elektronarzędzia w pobliżu materiałów łatwopalnych.** Iskry mogą zapalić te materiały.
- p) **Nie należy używać narzędzi, które wymagają płynnych środków chłodzących.** Użycie wody lub innych płynnych środków chłodzących może doprowadzić do porażenia prądem.

2) ODRZUT I ODPOWIEDNIE WSKAZÓWKI OSTRZEGAWCZE

- Odrzut to nagła reakcja na zaczepiające się lub zablokowane obracające się narzędzie, takie jak ściernica, talerz szlifierski, szcztotka druciana itd. Zaczepienie się lub zablokowanie prowadzi do nagłego zatrzymania się obracającego się narzędzia. Niekontrolowane elektronarzędzie zostanie przez to w miejscu zablokowania przyspieszone w kierunku przeciwnym do kierunku obrotu narzędzia.
 - Gdy, np. ściernica zahaczy lub zablokuje się w obrabianym przedmiocie, krawędź ściernicy, która wgłębia się w obrabiany przedmiot, może zaplać się i przez to ściernica wylać i spowodować odrzut. Ściernica porusza się wtedy w kierunku osoby obsługującej lub od niej, w zależności od kierunku obrotów ściernicy w miejscu zablokowania. Przy tym ściernice mogą się również złamać.
 - Odrzut jest następstwem niewłaściwego lub błędnego użycia elektronarzędzia. Można go uniknąć przez zachowanie odpowiednich środków ostrożności, takich jak niżej opisane.
- a) **Elektonarzędzie należy mocno trzymać, a ciało i ręce ustawić w pozycji, w której można złagodzić siły odrzutu. Należy zawsze używać uchwytu dodatkowego, jeśli jest, żeby mieć jak największą kontrolę nad siłami odrzutu lub momentem reakcji podczas rozruchu.** Osoba obsługująca urządzenie może opanować siły odrzutu i reakcji poprzez zachowanie odpowiednich środków ostrożności.
 - b) **Nigdy nie należy trzymać rąk w pobliżu obracających się używanych narzędzi.** Używane narzędzie może przy odrzucie poruszać się przez Państwa rękę.
 - c) **Należy unikać ciałem zasięgu, w który poruszy się elektronarzędzie podczas odrzutu.** Odrzut przemieszcza elektronarzędzie w kierunku przeciwnym do ruchu ściernicy w miejscu zablokowania.
 - d) **Należy pracować szczególnie ostrożnie w zakresach kątów, ostrych krawędzi itd. Należy zapobiec, by używane narzędzia mogły zostać odrzucone od obrabianego przedmiotu i mogły się zablokować.** Obracające się używane narzędzie skłonne jest w kątach, przy ostrych krawędziach lub gdy zostaje odrzucone do tego by się zahaczyć. To powoduje utratę kontroli lub odrzut.
 - e) **Nie należy używać brzeszczotu łańcuchowego lub zębatego.** Takie narzędzia często powodują odrzut lub utratę kontroli nad elektronarzędziem.
- ### 3) SZCZEGÓLNE WSKAZÓWKI OSTRZEGAWCZE DOTYCZĄCE SZLIFOWANIA I ODCINANIA Z UŻYCIEM ŚCIERNICY
- a) **Należy używać wyłącznie ściernicy przeznaczonej dla elektronarzędzia i osłony przeznaczonej dla tej ściernicy.** Ściernice, które nie są przeznaczone do tego elektronarzędzia nie mogą być wystarczająco osłonięte i są niebezpieczne.
 - b) **Tarcze szlifierskie wygięte należy mocować w taki sposób, aby ich powierzchnia szlifująca nie wystawała poza krawędź pokrywy ochronnej.** Niefachowo osadzona tarcza szlifierska, wystająca poza

krawędź pokrywy ochronnej nie może być wystarczająco osłonięta.

- c) **Osłona musi być bezpiecznie przymocowana do elektronarzędzia i tak ustawiona, żeby osiągnąć maksimum bezpieczeństwa, to znaczy jak najmniejsza część ściernicy ma być zwrócona do osoby ją obsługującej.** Osłona ma ochraniać osobę obsługującą przed odłamkami, przypadkowym kontaktem ze ściernicą i iskrami, które mogą spowodować zapalenie się ubrania.
 - d) **Narzędzi szlifierskich można używać tylko do zalecanych możliwości użycia.** Np. nie wolno nigdy szlifować boczną powierzchnią ściernicy do cięcia. Ściernice do cięcia przeznaczone są do usuwania materiału krawędzią tarczy. Boczny wpływ siły na to narzędzie szlifierskie może je złamać.
 - e) **Należy używać zawsze nieuszkodzonych kołnierzy mocujących o właściwej wielkości i kształcie dla wybranej przez Państwa ściernicy.** Zdatne kołnierze podpierają ściernicę i zmniejszają tak niebezpieczeństwo złamania się ściernicy. Kołnierze przeznaczone do ściernic do cięcia mogą się różnić od kołnierzy przeznaczonych do innych ściernic.
 - f) **Nie należy używać zużytych ściernic z większych elektronarzędzi.** Ściernice do większych elektronarzędzi nie są zaprojektowane dla wyższej liczby obrotów mniejszych elektronarzędzi i mogą się złamać.
- ### 4) DALsze SZCZEGÓLNE WSKAZÓWKI OSTRZEGAWCZE DOTYCZĄCE PRZECINANIA ŚCIERNICĄ
- a) **Należy unikać zablokowania się ściernicy do cięcia lub za dużego nacisku. Nie należy przeprowadzać nadmiernie głębokich cięć.** Przeciążenie ściernicy do cięcia podwyższa jej obciążenie i skłonność do zahaczenia się lub zablokowania i tym samym możliwość odrzutu lub złamania się ściernicy.
 - b) **Należy unikać zakresu przed i za obracającą się ściernicą tarczową do cięcia.** Jeśli przesuwa się ściernicę tarczową do cięcia w przedmiocie obrabianym od siebie, elektronarzędzie może odskoczyć w razie odrzutu wraz z obracającą się ściernicą bezpośrednio w Państwa kierunku.
 - c) **Jeśli ściernica tarczowa do cięcia zakleszczy się lub praca zostaje przerwana, należy wyłączyć elektronarzędzie i trzymać je spokojnie aż ściernica się zatrzyma.** Nigdy nie należy próbować poruszając się jeszcze ściernicę tarczową do cięcia wyciągać z miejsca cięcia, w przeciwnym razie może nastąpić odrzut. Należy wykrzyć i usunąć przyczynę zakleszczenia się.
 - d) **Nie wolno włączać ponownie elektronarzędzia dopóki znajduje się ono w przedmiocie obrabianym. Należy najpierw pozwolić ściernicy tarczowej do cięcia osiągnąć jej pełną prędkość obrotową, zanim będzie się ostrożnie kontynuować cięcie.** W przeciwnym razie ściernica może się zaczepić, wyskoczyć z przedmiotu obrabianego lub spowodować odrzut.
 - e) **Płyty lub duże obrabiane przedmioty należy podprzeć, aby zmniejszyć ryzyko powstania odrzutu spowodowane ściśniętą ściernicą do cięcia.** Duże obrabiane przedmioty mogą się przeciąć pod

własnym ciężarem. Obrabiany przedmiot musi zostać podparty z obydwu stron, i zarówno w pobliżu linii cięcia jak i na krawędzi.

- f) **Należy być szczególnie ostrożnym przy cięciach wglębnych w istniejących ścianach lub innych niewidocznych zakresach.** Wglębająca się ściernica do cięcia może przy cięciu w przewody gazowe lub wodociągowe, przewody elektryczne lub inne objekty spowodować odrzut.
- 5) **SZCZEGÓLNE WSKAZÓWKI OSTRZEGAWCZE DOTYCZĄCE SZLIFOWANIA OKŁADZINĄ ŚCIERNICĄ**
- a) **Nie należy używać okładzin ściernych o za dużych rozmiarach, lecz przestrzegać podanych przez producenta danych dotyczących wielkości okładzin ściernych.** Okładziny ścierne, które wystają poza talerz szlifierski, mogą spowodować obrażenia jak i doprowadzić do zablokowania, rozerwania się okładziny ścierniej lub do odrzutu.
- 6) **SZCZEGÓLNE WSKAZÓWKI OSTRZEGAWCZE DOTYCZĄCE PRAC Z UŻYCIEM SZCZOTEK DRUCIANYCH**
- a) **Należy zwrócić uwagę na to, że szczotka druciana gubi kawałki drutu także podczas zwykłego używania. Nie należy przeciągać drutów przez zbyt duży nacisk.** Odskakujące kawałki drutu mogą bardzo łatwo przeniknąć przez cienkie ubranie i/lub skórę.
- b) **Jeśli zalecana jest osłona, należy zapobiec możliwości dotknięcia się osłony i szczotki drucianej.** Szczotki talerzowe i garnkowe mogą zwiększyć swoją średnicę przez nacisk i siły odśrodkowe.

OGÓLNE

- Narzędzie nie jest przystosowane do szlifowania/cięcia na mokro
- Należy stosować wyłącznie konierze dostarczone wraz z narzędziem
- Narzędzie nie powinny używać dzieci poniżej 16 roku życia
- Przed przystąpieniem do wykonywania jakichkolwiek czynności przy narzędziu, w czasie przerwy w pracy jak również po jej zakończeniu wyjąć wtyczkę z gniazda sieciowego**

AKCESORIA

- SKIL może zagwarantować bezawaryjne działanie narzędzia tylko przy korzystaniu z oryginalnego wyposażenia dodatkowego
- Należy używać wyłącznie tarcz szlifierskich/tnących o maksymalnej grubości 8 mm, z otworem na trzpień o średnicy 22 mm**
- Montując/używając akcesoriów innych producentów, należy przestrzegać instrukcji określonych przez danego producenta
- Nigdy nie należy stosować pierścieni redukcyjnych ani pośrednich, aby zamocować tarcze z większymi otworami
- Nigdy nie należy stosować akcesoriów ze "ślepyimi" gwintowanymi otworami mniejszymi niż M14 x 21 mm

STOSOWANIE NA DWORZE

- Połączyć narzędzie za pośrednictwem wyłącznika prądu zakłóceńowego (FI) wyzwalanego prądem o natężeniu co najmniej 30 mA

PRZED UŻYCIEM

- Przed pierwszym użyciem narzędzia zalecane jest zasięgnięcie informacji praktycznych
- Każdorazowo należy sprawdzać, czy napięcie zasilania jest zgodne z napięciem podanym na tabliczce znamionowej urządzenia (narzędzia na napięcie znamionowe 230V lub 240V zasilac można także napięciem 220V)
- Zawsze należy zamontować uchwyt pomocniczy E ② i osłonę F ②; nie należy używać narzędzia bez tych elementów
- Aby wykryć ukryte przewody zasilające należy używać stosownych detektorów lub porozumieć się z miejscowymi zakładami energetycznymi** (kontakt z przewodami elektrycznymi może doprowadzić do pożaru i porażenia elektrycznego; uszkodzenie przewodu gazowego może doprowadzić do wybuchu; uszkodzenie przewodów instalacji wodociągowej powoduje szkody rzeczowe i może spowodować porażenie elektryczne)
- Nie należy obrabiać materiału zawierającego azbest** (azbest jest rakotwórczy)
- Pył pochodzący z takich materiałów, jak farby zawierające ołów, niektóre gatunki drzewa, minerały i metal może być szkodliwy (kontakt z nim lub wdychanie takiego pyłu może powodować reakcje alergiczne i/lub niewydolność oddechową u operatora lub osób towarzyszących); **należy zakładać maskę przeciwpyłową i pracować z urządzeniem odsysającym, jeżeli można je podłączyć**
- Niektóre rodzaje pyłu są zaklasyfikowane jako rakotwórcze (takie, jak pył dębu i buka) szczególnie w połączeniu z dodatkami do kondycjonowania drewna; **należy zakładać maskę przeciwpyłową i pracować z urządzeniem odsysającym pył, jeżeli można je podłączyć**
- Należy stosować się do lokalnych wymogów dotyczących pracy w otoczeniu pyłu powstającego podczas obróbki materiału
- Należy uważać podczas wycinania rowków, szczególnie w ścianach nośnych (otwory w ścianach nośnych podlegają specjalnym przepisom odpowiednim dla danego kraju; należy ich bezwzględnie przestrzegać)
- Należy zabezpieczyć miejsce przeznaczone do zszycia** (miejsce przeznaczone do zszycia umieszczone w zaciskach lub imadle jest utrzymywane w miejscu bezpieczniej niż w ręku)
- Nie należy zaciskać narzędzia w imadle
- W przypadku korzystania z kabla przedłużającego należy zwrócić uwagę, aby był maksymalnie nawinięty na bęben oraz był przystosowany do przewodzenia prądu o natężeniu przynajmniej 16 A

PODCZAS UŻYWANIA

- W przypadku uszkodzenia lub przecięcia przewodu podczas pracy, nie wolno go dotykać, tylko należy natychmiast wyciągnąć z gniazodka wtyczkę
- Pod żadnym pozorem nie wolno korzystać z narzędzia z uszkodzonym przewodem; zleć jego wymianę wykwalifikowanej osobie

- W przypadku wadliwego działania mechanicznych lub elektrycznych elementów urządzenia, należy bezzwocznie odłączyć narzędzie i wyjąć wtyczkę
- W przypadku przerwy w zasilaniu na przykład na skutek nieumyślnego wyciągnięcia wtyczki, należy niezwłocznie odblokować włącznik blokady H (2), aby uniknąć nieoczekiwanego uruchomienia narzędzia

PO UŻYCIU

- Po wyłączeniu narzędzia nigdy nie należy zatrzymywać wirujących elementów działając na nie z bocznie przyłożoną siłą

UŻYTKOWANIE

- Montowanie akcesoriów (2)
 - ! **wyjąć wtyk z gniazda sieciowego**
 - oczyścić wrzeciono A i wszystkie elementy, które mają zostać zamontowane
 - dokręcić konierz zaciskowy B przy pomocy klucza C, wciskając przycisk blokady wrzeciona D
 - ! **przycisk blokady wrzeciona D należy wcisnąć tylko gdy wrzeciono A jest w spoczynku**
 - aby zdemontować element, należy postępować w odwrotnej kolejności
 - ! **tarce szlifierskie/tnące podczas pracy bardzo się rozgrzewają; nie należy ich dotykać przed ostygnięciem**
 - ! **podczas użycia akcesoriów do piaskowania, zawsze należy stosować podkładkę**
 - ! **nigdy nie należy stosować tarczy szlifierskiej/tnącej, która jest nieoznakowana; etykieta jest naklejona na tarczę (jeśli jest)**
- Montowanie uchwyty pomocniczego E (6)
 - ! **wyjąć wtyk z gniazda sieciowego**
 - przykręcić uchwyt pomocniczy E do prawej, górnej lub lewej strony narzędzia (w zależności od tego, jaka praca ma być wykonywana)
- Demontowanie/montowanie/ustawienie osłony ochronnej F (7)
 - ! **wyjąć wtyk z gniazda sieciowego**
 - ! **upewnić się, że osłona jest zawsze założona zamkniętą stroną w kierunku operatora narzędzia**
- Przed przystąpieniem do pracy
 - sprawdzić prawidłowość zamocowania narzędzia roboczego
 - skontrolować bieg tarczy wymuszając ruch ręką
 - uruchomić próbnie elektronarzędzie w biegu luzem w ciągu przynajmniej 30 sekund z maksymalną prędkością obrotową
 - w przypadku stwierdzenia wibracji lub innej nieprawidłowości elektronarzędzie natychmiast wyłączyć i usunąć przyczynę
- Włącznik/wyłącznik z blokadą H (8)
 - uruchomić elektronarzędzie (8)a
 - ! **uwaga na szarpnięcie w momencie uruchomienia**
 - ! **tarczę zbliżyć do obrabianego przedmiotu dopiero po osiągnięciu przez elektronarzędzie pełnej prędkości obrotowej**
 - zablokować włącznik/wyłącznik (8)b
 - odblokować włącznik/wyłącznik elektronarzędzia (8)c
 - ! **przed wyłączeniem narzędzia należy unieść je ponad obrabiany przedmiot**

! **po wyłączeniu elektronarzędzia tarcza obraca się jeszcze kilka sekund**

- Szlifowanie (9)
 - należy przesuwać narzędzie do tyłu i do przodu naciskając z umiarkowaną siłą
 - ! **do szlifowania boczno nigdy nie należy używać tarcz tnących**
- Cięcie (10)
 - przy cięciu nie należy przechylać narzędzia
 - zawsze należy przesuwać narzędzie w kierunku wskazywanym przez strzałkę na głowicy, aby uniknąć niekontrolowanego wyjścia przyrządu z wycinanej szczeliny
 - nie należy naciskać na narzędzie; powinna wystarczyć prędkość obrotowa tarczy
 - robocza prędkość tarczy tnącej zależy od materiału, który ma być cięty
 - nie należy wyhamowywać tarczy tnących działając na nie z bocznią siłą
- Utrzymywanie i prowadzenie narzędzia
 - zawsze należy mocno trzymać przyrząd obiema rękami, aby prowadzić je w sposób kontrolowany przez cały czas
 - ! **podczas pracy zawsze trzymać narzędzie za uchwyt(y) ograniczone szarym kolorem (11)**
 - należy zachować bezpieczną postawę
 - należy zwracać uwagę na kierunek obrotów; zawsze tak trzymać narzędzie, aby iskry i pył pochodzące od szlifowania/cięcia leciały w kierunku od zamiast w stronę operatora
 - szczeliny wentylacyjne J (2) powinny być odkryte

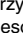
WSKAZÓWKI UŻYTKOWANIA

- Zamiast konierza B (2) można zastosować szybkomocujący konierz typu "CLIC" (osprzęt SKIL 2610388766); tarce szlifierskie/tnące można wówczas mocować bez konieczności użycia dodatkowych kluczy
- Więcej wskazówek można znaleźć pod adresem www.skil.com

KONSERWACJA / SERWIS

- Narzędzie nie jest przeznaczone do zastosowań profesjonalnych
- Zawsze dbać o czystość narzędzia i przewodu zasilającego (a szczególnie otworów wentylacyjnych J (2))
 - ! **nie czyścić elektronarzędzia wkładając ostre przedmioty w szczeliny wentylacyjne**
 - ! **przed przystąpieniem do czyszczenia należy wyjąć wtyk z gniazda sieciowego**
- Jeśli narzędzie, mimo dokładnej i wszechstronnej kontroli produkcyjnej ulegnie kiedykolwiek awarii, naprawę powinien przeprowadzić autoryzowany serwis elektronarzędzi firmy SKIL
 - odesłać **nierozebrany** narzędzie, wraz z dowodem zakupu, do dealera lub do najbliższego punktu usługowego SKIL (adresy oraz diagram serwisowy narzędzenia znajdują się na stronach www.skil.com)

ŚRODOWISKO

- **Nie wyrzucaj elektronarzędzi, akcesoriów i opakowania wraz z odpadami z gospodarstwa domowego** (dotyczy tylko państw UE)
 - zgodnie z Europejską Dyrektywą 2002/96/WE w sprawie zużytego sprzętu elektrotechnicznego i elektronicznego oraz dostosowaniem jej do prawa krajowego, zużyte elektronarzędzia należy posegregować i zutylizować w sposób przyjazny dla środowiska
 - w przypadku potrzeby pozbycia się narzędzia, akcesoriów i opakowania - symbol  przypomni Ci o tym

DEKLARACJA ZGODNOŚCI CE

- Oświadczamy z pełną odpowiedzialnością, że produkt, przedstawiony w "Dane techniczne", odpowiada wymaganiom następujących norm i dokumentów normatywnych: EN 60745, EN 61000, EN 55014, zgodnie z wymaganiami dyrektyw 2004/108/EU, 2006/42/EU, 2011/65/EU
- **Dokumentacja techniczna:** SKIL Europe BV (PT-SEU/ENG1), 4825 BD Breda, NL

Marijn van der Hoofden
Operations & Engineering

Olaf Dijkgraaf
Approval Manager



SKIL Europe BV, 4825 BD Breda, NL

05.08.2013


HAŁASU/WIBRACJE

- Pomiarów dokonano zgodnie z normą EN 60745 ciśnienie akustyczne narzędzia wynosi 90 dB(A) zaś poziom mocy akustycznej 101 dB(A) (poziom odchylenie: 3 dB), zaś wibracje * m/s² (metoda dłoń-ręka; błąd pomiaru K = 1,5 m/s²)
 - * podczas ścierania powierzchni 8,1 m/s²
 - * podczas szlifowania 6,2 m/s²
- ! **inne zastosowania (np. cięcie lub szcztokowanie) mogą powodować inne wartości wibracji**
- Poziom emisji wibracji został zmierzony zgodnie z testem standaryzowanym podanym w EN 60745; może służyć do porównania jednego narzędzia z innym i jako ocena wstępna narażenia na wibracje w trakcie używania narzędzia do wymienionych zadań
 - używanie narzędzia do innych zadań, lub z innymi albo źle utrzymanymi akcesoriami, może znacząco **zwiększyć** poziom narażenia
 - przypadki, kiedy narzędzie jest wyłączone lub jest czynne, ale aktualnie nie wykonuje zadania, mogą znacząco **zmniejszyć** poziom narażenia
- ! **należy chronić się przed skutkami wibracji przez konserwację narzędzia i jego akcesoriów, zakładanie rękawic i właściwą organizację pracy**

RU

Углошлифовальная машина 9176

ВВЕДЕНИЕ

- Инструмент предназначен для шлифования, резки и зачистки металлов и каменных материалов без использования воды; при применении соответствующих насадок данный инструмент может использоваться также для щеточной и абразивной обработки
- Данный инструмент не подходит для промышленного использования
- **Резка при помощи дисков разрешается только при использовании ограничителя резки (вспомогательное приспособление 2610399439 от SKIL, поставляемое по выбору)**
- Прочитайте и сохраните с данной инструкцией 

ТЕХНИЧЕСКИЕ ДАННЫЕ

ДЕТАЛИ ИНСТРУМЕНТА

- A Шпиндель
- B Зажимной фланец
- C Гаечным ключ
- D Кнопка блокировки шпинделя
- E Вспомогательная ручка
- F Защитный кожух
- G Установочному фланец
- H Включение/отключение блокировочного переключателя
- J Вентиляционные отверстия

БЕЗОПАСНОСТЬ

ОСНОВНЫЕ ИНСТРУКЦИИ ПО ТЕХНИКЕ БЕЗОПАСНОСТИ

⚠ ВНИМАНИЕ! Прочтите все указания и инструкции по технике безопасности. Упущения, допущенные при соблюдении указаний и инструкций по технике безопасности, могут стать причиной электрического поражения, пожара и тяжелых травм. **Сохраняйте эти инструкции и указания для будущего использования.** Использованное в настоящих инструкциях и указаниях понятие "электроинструмент" распространяется на электроинструмент с питанием от сети (с кабелем питания от электросети) и на аккумуляторный электроинструмент (без кабеля питания от электросети).

1) БЕЗОПАСНОСТЬ РАБОЧЕГО МЕСТА

- a) **Соблюдайте чистоту и поддерживайте надлежащую освещенность на рабочем месте.** Беспорядок на рабочем месте или его плохое освещение могут привести к несчастным случаям.
- b) **Не используйте с электроинструментом во взрывоопасной среде, т.е. в непосредственной**

- близости от легковоспламеняющихся жидкостей, газов или пыли.** В процессе работы электроинструмент искрит и искры могут воспламенить газы или пыль.
- c) **При работе с электроинструментом не допускайте детей или посторонних на Ваше рабочее место.** Отвлечение Вашего внимания может привести к потере контроля над работой инструмента.
- 2) ЭЛЕКТРИЧЕСКАЯ БЕЗОПАСНОСТЬ**
- a) **Штепсельная вилка кабеля питания электроинструмента должна соответствовать розетке электросети. Не вносите никаких изменений в конструкцию вилки. Не используйте адапторы для электроинструмента с защитным заземлением.** Заводские штепсельные вилки и соответствующие им сетевые розетки существенно снижают вероятность электрошока.
- b) **Избегайте механических контактов с такими заземленными поверхностями, как трубопроводы, системы отопления, плиты и холодильники.** При соприкосновении человека с заземленными предметами во время работы инструментом вероятность электрошока существенно возрастает.
- c) **Оберегайте электроинструмент от воздействия дождя и влаги.** Попадание воды в электроинструмент повышает вероятность электрического удара.
- d) **Используйте кабель строго по назначению. Не допускается тянуть и передвигать электроинструмент за кабель или использовать кабель для вытягивания вилки из розетки.** Оберегайте кабель инструмента от воздействия высоких температур, масла, острых кромок или движущихся частей электроинструмента. Поврежденный или спутанный кабель повышает возможность электрического удара.
- e) **При работе на улице используйте удлинитель, предназначенный для работы вне помещения.** Использование такого удлинителя снижает вероятность электрического удара.
- f) **Если невозможно избежать применения электроинструмента в сыром помещении, то устанавливайте устройство защиты от утечки в землю.** Использование устройства защиты от утечки в землю снижает риск электрического поражения.
- 3) ЛИЧНАЯ БЕЗОПАСНОСТЬ**
- a) **Будьте внимательны, следите за тем, что Вы делаете и выполняйте работу обдуманно. Не пользуйтесь электроинструментом, если Вы устали или находитесь под воздействием транквилизаторов, алкоголя или медицинских препаратов.** Секундная потеря концентрации в работе с электроинструментом может привести к серьезным травмам.
- b) **Используйте средства индивидуальной защиты. Защитные очки обязательны.** Средства индивидуальной защиты, такие как противоопылевой респиратор, нескользящая защитная обувь, шлем-каска, средства защиты органов слуха применяются в соответствующих условиях работы обстоятельствах и минимизируют возможность получения травм.
- c) **Предотвращайте непреднамеренное включение электроинструмента. Перед подключением электроинструмента к электропитанию и/или к аккумулятору убедитесь в выключенном состоянии электроинструмента.** Если Вы при транспортировке электроинструмента держите палец на выключателе или включенный электроинструмент подключаете к сети питания, то это может привести к несчастному случаю.
- d) **Во избежание травм перед включением инструмента удалите регулировочный или гаечный ключ из вращающейся части инструмента.**
- e) **Не переоценивайте свои возможности. Твердо стойте на ногах и удерживайте равновесие.** В таком положении вы сможете лучше контролировать инструмент в неожиданных ситуациях.
- f) **Используйте подходящую рабочую одежду. Не надевайте свободную одежду и украшения. Волосы, одежда и перчатки должны находиться подальше от движущихся частей электроинструмента.** Свободная одежда, украшения или длинные волосы легко могут попасть в движущиеся части электроинструмента.
- g) **При наличии пылеотсасывающих и пылесборных приспособлений убедитесь в том, что они подсоединены и используются надлежащим образом.** Применение пылеотсоса может снизить опасности, создаваемые пылью.
- 4) ЭКСПЛУАТАЦИЯ И УХОД ЗА ЭЛЕКТРОИНСТРУМЕНТОМ**
- a) **Не перегружайте инструмент. Используйте тот инструмент, который предназначен для данной работы.** С подходящим инструментом Вы выполните работу лучше и надежнее, используя весь диапазон его возможностей.
- b) **Не используйте инструмент с неисправным выключателем.** Инструмент с неисправным выключателем опасен и подлежит ремонту.
- c) **До начала наладки электроинструмента, замены принадлежностей или прекращения работы отключайте штепсельную вилку от розетки сети и/или выньте аккумулятор.** Данная мера предосторожности предотвращает случайное включение инструмента.
- d) **Храните неиспользуемый электроинструмент в недоступном для детей месте и не позволяйте использовать его лицам, не умеющим с ним обращаться или не ознакомленным с инструкцией по эксплуатации.** Электроинструменты представляют собой опасность в руках неопытных пользователей.
- e) **Электроинструмент требует надлежащего ухода. Проверяйте безупречность функций подвижных частей, лёгкость их хода, целостность всех частей и отсутствие повреждений, которые могут негативно сказаться на работе инструмента. При обнаружении повреждений сдайте инструмент в ремонт.** Большое число

несчастных случаев связано с неудовлетворительным уходом за электроинструментом.

f) Режущие части инструмента необходимо поддерживать в заточенном и чистом состоянии.

При надлежащем уходе за режущими принадлежностями с острыми кромками они режут заклиниваются и инструмент лучше поддается контролю.

g) Используйте электроинструмент, принадлежности, биты и т.д. в соответствии с данными инструкциями, исходя из особенностей условий и характера выполняемой работы.

Использование электроинструмента не по назначению может привести к опасным последствиям.

5) СЕРВИСНОЕ ОБСЛУЖИВАНИЕ

a) Передавайте инструмент на сервисное обслуживание только квалифицированному персоналу, использующему только подлинные запасные части. Это обеспечит сохранение безопасности электроинструмента.

ИНСТРУКЦИИ ПО ТЕХНИКЕ БЕЗОПАСНОСТИ ПРИ РАБОТЕ С УГЛОШЛИФОВАЛЬНОЙ МАШИНОЙ

1) УКАЗАНИЯ ПО БЕЗОПАСНОСТИ ДЛЯ ВСЕХ РАБОТ

a) Настоящий электроинструмент предназначен для применения в качестве шлифовальной машины, шлифовальной машины с наждачной бумагой, проволочной щетки и отрезной машины. Учитывайте все предупреждающие указания, инструкции, иллюстрации и данные, которые Вы получите с электроинструментом.

При несоблюдении нижеследующих указаний возможно поражение электротоком, возникновение пожара и/или получение серьезных травм.

b) Не рекомендуется использовать данный электроинструмент для полирования. Операции, для которых этот электроинструмент не предназначен, могут создать опасность и причинить травму.

c) Не применяйте принадлежности, которые не предусмотрены изготовителем специально для настоящего электроинструмента и не рекомендуются им. Только возможность крепления принадлежностей в Вашем электроинструменте не гарантирует еще его надежного применения.

d) Допустимое число оборотов рабочего инструмента должно быть не менее указанного на электроинструменте максимального числа оборотов. Принадлежности, вращающиеся с большей, чем допустимо скоростью, могут разорваться.

e) Наружный диаметр и толщина рабочего инструмента должны соответствовать размерам Вашего электроинструмента. Неправильно соразмеренные рабочие инструменты не могут быть в достаточной степени защищены или контролироваться.

f) Сменные рабочие инструменты с резьбой должны точно подходить к резьбе шлифовального шпинделя. В сменных рабочих инструментах, монтируемых с помощью фланца, диаметр отверстий рабочего инструмента должен подходить к диаметру отверстий во фланце. Сменные рабочие инструменты, которые не точно крепятся на электроинструменте, вращаются неравномерно, очень сильно вибрируют и могут выйти из-под контроля.

g) Не применяйте поврежденные рабочие инструменты. Проверяйте каждый раз перед использованием рабочие инструменты, как то, шлифовальные круги на сколы и трещины, шлифовальные тарелки на трещины, риски или сильный износ, проволочные щетки на незакрепленные или поломанные проволочки. После падения электроинструмента или рабочего инструмента проверяйте последний на повреждения и при надобности установите неповрежденный рабочей инструмент. После контроля и закрепления рабочего инструмента, займите сами, и все находящиеся вблизи лица, положение за пределами плоскости вращения рабочего инструмента и включите электроинструмент на одну минуту на максимальное число оборотов. Поврежденные рабочие инструменты разрываюся, в большинстве случаев, за это время контроля.

h) Применяйте средства индивидуальной защиты
④. В зависимости от выполняемой работы применяйте защитный щиток для лица, защитное средство для глаз или защитные очки. Насколько уместно, применяйте противопоплевую респиратор, средства защиты органов слуха, защитные перчатки или специальный фартук, которые защищают Вас от абразивных частиц и частиц материала. Глаза должны быть защищены от летающих в воздухе посторонних тел, которые возникают при выполнении различных работ. Противопоплевая респиратор или защитная маска органов дыхания должны задерживать возникающую при работе пыль. Продолжительное воздействие сильного шума может привести к потере слуха.

i) Следите за тем, чтобы все лица находились на безопасном расстоянии к Вашему рабочему участку. Каждое лицо в пределах рабочего участка должно иметь средства индивидуальной защиты. Осколки детали или разорванных рабочих инструментов могут отлететь в сторону и стать причиной травм также и за пределами непосредственного рабочего участка.

j) При выполнении работ, при которых рабочий инструмент может задеть скрытую электропроводку или собственный сетевой кабель, держите электроинструмент только за изолированные ручки. Контакт с находящейся под напряжением проводкой может заряжать металлические части электроинструмента и приводит к удару электрическим током.

- k) **Держите шнур подключения питания в стороне от вращающегося рабочего инструмента.** Если Вы потеряете контроль над инструментом, то шнур подключения питания может быть перерезан или захвачен вращающейся частью и Ваша кисть или рука может попасть под вращающийся рабочий инструмент.
- l) **Никогда не выпускайте электроинструмент из рук, пока рабочий инструмент полностью не остановится.** Вращающийся рабочий инструмент может зацепиться за опорную поверхность и Вы можете потерять контроль над электроинструментом.
- m) **Выключайте электроинструмент при транспортировании.** Ваша одежда может быть случайно захвачена вращающимся рабочим инструментом и последний может нанести Вам травму.
- n) **Регулярно очищайте вентиляционные прорези Вашего электроинструмента.** Вентилятор двигателя затягивает пыль в корпус и большое скопление металлической пыли может привести к электрической опасности.
- o) **Не пользуйтесь электроинструментом вблизи горючих материалов.** Искры могут воспламенить эти материалы.
- p) **Не применяйте рабочие инструменты, требующие применение жидких охлаждающих средств.** Применение воды или других жидких охлаждающих средств может привести к поражению электротоком.
- 2) ОБРАТНЫЙ УДАР И СООТВЕТСТВУЮЩИЕ ПРЕДУПРЕЖДАЮЩИЕ УКАЗАНИЯ**
- Обратный удар это внезапная реакция в результате заедания или блокирования вращающегося рабочего инструмента, как то, шлифовального круга, шлифовальной тарелки, проволочной щетки и т. д. Заедание или блокирование ведет к резкому останову рабочего инструмента. При этом неконтролируемый электроинструмент приходит в движение в направлении, противоположном направлению вращения рабочего инструмента в месте блокирования.
 - Например, если шлифовальный круг заест или заблокирует в детали, то кромка шлифовального круга, которая погружается в деталь, может врезаться в деталь, круг будет заторможен и в результате высканивает из детали или возникает обратный удар. При этом шлифовальный круг движется на оператора или от него, в зависимости от направления вращения круга на месте блокирования. При этом шлифовальный круг может разломаться.
 - Обратный удар является следствием неправильного использования электроинструмента или ошибки оператора. Его можно предотвратить подходящими мерами предосторожности, описанными ниже.
- a) **Крепко держите электроинструмент и займите Вашим телом и руками положение, в котором Вы можете противодействовать обратным силам. При наличии, всегда применяйте дополнительную рукоятку, чтобы как можно**

- лучше противодействовать обратным силам или реакционным моментам при наборе оборотов.** Оператор может подходить мерами предосторожности противодействовать обратным и реакционным силам.
- b) **Ваша рука никогда не должна быть вблизи вращающегося рабочего инструмента.** При обратном ударе рабочий инструмент может пойти по Вашей руке.
- c) **Держитесь в стороне от участка, в котором при обратном ударе будет двигаться электроинструмент.** Обратный удар ведет электроинструмент в противоположном направлении к движению шлифовального круга в месте блокирования.
- d) **Особенно осторожно работайте на углах, острых кромках и т. д. Предотвращайте отскок рабочего инструмента от детали и его заклинивание.** Вращающийся рабочий инструмент склонен на углах, острых кромках и при отскоке к заклиниванию. Это вызывает потерю контроля или обратный удар.
- e) **Не применяйте цепные пилы или зубчатые пильные полотна.** Такие рабочие инструменты часто становятся причиной обратного удара или потери контроля над электроинструментом.
- 3) ПРЕДУПРЕЖДЕНИЯ ПО ТЕХНИКЕ БЕЗОПАСНОСТИ ВО ВРЕМЯ ОПЕРАЦИЙ ПО ШЛИФОВКЕ И АБРАЗИВНОЙ ОТРЕЗКЕ**
- a) **Применяйте допущенные исключительно для Вашего электроинструмента абразивные инструменты и предусмотренные для них защитные колпаки.** Абразивные инструменты, не предусмотренные для этого электроинструмента, не могут быть достаточно экранированы и не безопасны.
- b) **Защитные шлифовальные круги необходимо монтировать таким образом, чтобы их шлифовальная поверхность не выступала за край защитного кожуха.** Неправильно смонтированный шлифовальный круг, выступающий за край защитного кожуха, не прикрывается достаточным образом.
- c) **Защитный колпак должен быть надежно закреплен на электроинструменте и настроен так, чтобы достигалась наибольшая степень безопасности, т. е. в сторону оператора должна быть открыта как можно меньшая часть абразивного инструмента.** Защитный колпак должен защищать оператора от осколков, случайного контакта с абразивным инструментом и искрами, которые могут воспламенить одежду.
- d) **Абразивные инструменты допускается применять только для рекомендуемых работ.** Например: Никогда не шлифуйте боковой поверхностью отрезного диска. Отрезные диски предназначены для съема материала кромкой. Боковые силы на этот абразивный инструмент могут сломать его.
- e) **Всегда применяйте неповрежденные фланцевые гайки с правильными размерами и формой для выбранного Вами шлифовального круга.** Правильные фланцы являются опорой для

шлифовального круга и уменьшают опасность его поломки. Фланцы для отрезных дисков могут отличаться от фланцев для шлифовальных кругов.

- f) **Не применяйте изношенные шлифовальные круги больших электроинструментов.** Шлифовальные круги для больших электроинструментов изготовлены не для высоких скоростей вращения маленьких электроинструментов и их может разорвать.
- 4) **ДОПОЛНИТЕЛЬНЫЕ СПЕЦИАЛЬНЫЕ ПРЕДУПРЕЖДАЮЩИЕ УКАЗАНИЯ**
- a) **Предотвращайте блокирование отрезного диска и завышенное усилие прижатия. Не выполняйте слишком глубокие резы.** Перегрузка отрезного диска повышает нагрузку и склонность к перекашиванию или блокированию диска и этим возможность обратного удара или поломки абразивного инструмента.
- b) **Будьте осторожны перед и за вращающимся отрезным диском.** Если Вы ведете отрезной диск в детали от себя, то в случае обратного удара электроинструмент может с вращающимся диском отскочить прямо на Вас.
- c) **При заклинивании отрезного диска или при перерыве в работе выключайте электроинструмент и дайте диску спокойно остановиться. Никогда не пытайтесь вынуть еще вращающийся отрезной диск из реза, так как это может привести к обратному удару.** Установите и устраните причину заклинивания.
- d) **Не включайте повторно электроинструмент пока абразивный инструмент находится в детали. Дайте отрезному диску развить полное число оборотов, перед тем как Вы осторожно продолжите резание.** В противном случае диск может заезть, выскочить из детали или вызвать обратный удар.
- e) **Плиты или большие детали должны надежно лежать на опоре для снижения опасности обратного удара при заклинивании отрезного диска.** Большие детали могут прогнуться под собственным весом. Деталь должна лежать на опорах с обеих сторон, как вблизи реза, так и по краям.
- f) **Будьте особенно осторожны при выполнении резов с погружением в стены или на других не просматриваемых участках.** Погружающийся отрезной диск может при резании газопровода или водопровода, электрических проводов или других объектов привести к обратному удару.
- 5) **СПЕЦИАЛЬНЫЕ ПРЕДУПРЕЖДАЮЩИЕ УКАЗАНИЯ для ШЛИФОВАНИЯ НАЖДАЧНОЙ БУМАГОЙ**
- a) **Не применяйте шлифовальные листы с завышенными размерами, а следуйте данным изготовителя по размерам шлифовальных листов.** Шлифовальные листы, выступающие за край шлифовальной тарелки, могут стать причиной травм и блокирования, рваться или привести к обратному удару.

6) ОСОБЫЕ ПРЕДУПРЕЖДАЮЩИЕ УКАЗАНИЯ для РАБОТ С ПРОВОЛОЧНЫМИ ЩЕТКАМИ

- a) **Учитывайте, что проволочные щетки теряют проволоку также и при нормальной работе. Не перегружайте проволоки чрезмерным усилием прижатия.** Отлетающие куски проволоки могут легко проникнуть через тонкую одежду и/или кожу.
- b) **Если для работы рекомендуется использовать защитный колпак, то исключайте возможность соприкосновения проволочной щетки с колпаком.** Тарельчатые и чашечные щетки могут увеличить свой диаметр под действием усилия прижатия и центрифугальный сил.

ОБЩЕЕ

- Этот инструмент непригоден для шлифования/резки со смачиванием
- Используйте только фланцы, поставляемые с инструментом
- Инструмент нельзя использовать лицам в возрасте до 16 лет
- **Перед регулировкой или сменой принадлежностей обязательно выньте вилку из сетевой розетки**

НАСАДКИ

- SKIL обеспечивает надёжную работу инструмента только при использовании соответствующих приспособлений
- **Используйте только шлифовальные/отрезные круги с максимальной толщиной 8 мм и диаметром посадочного отверстия 22 мм**
- При установке/использовании насадок не от фирмы SKIL, соблюдайте инструкции соответствующего завода-изготовителя
- Не допускается применение каких-либо переходников для установки шлифовальных/отрезных кругов с отверстиями большего диаметра
- Запрещается применение насадок с "глухим" отверстием меньшим, чем M14 x 21 мм

ИСПОЛЬЗОВАНИЕ ВНЕ ПОМЕЩЕНИЯ

- Подсоедините инструмент через прерыватель напряжения в случае короткого замыкания (FI) с максимальным пусковым током 30 мА

ПЕРЕД ИСПОЛЬЗОВАНИЕМ

- Перед использованием инструмента в первый раз рекомендуется получить практическую информацию
- Обязательно убедитесь, что напряжение питания соответствует напряжению, указанному на фирменном штемпеле инструмента (инструменты, рассчитанные на напряжение 230 В или 240 В, можно подключать к питанию 220 В)
- Всегда устанавливайте боковую ручку E ② и защитный кожух F ②; никогда не используйте инструмент без них
- **Используйте подходящие металлодетекторы для нахождения скрытых проводов снабжения или наведите справки в местных предприятиях коммунального хозяйства** (контакт с электропроводкой может привести к пожару и электрическому удару; повреждение газопровода может привести к взрыву; повреждение водопровода может привести к повреждению имущества или вызвать электрический удар)

- **Не обрабатывайте материалы с содержанием асбеста** (асбест считается канцерогеном)
- Пыль от таких материалов, как свинцовосодержащая краска, некоторые породы дерева, минералы и металл, может быть вредна (контакт с такой пылью или ее вдыхание может стать причиной возникновения у оператора или находящихся рядом лиц аллергических реакций и/или респираторных заболеваний); **надевайте респиратор и работайте с пылеудаляющим устройством при включении инструмента**
- Некоторые виды пыли классифицируются как канцерогенные (например, дубовая или буковая пыль), особенно в сочетании с добавками для кондиционирования древесины; **надевайте респиратор и работайте с пылеудаляющим устройством при включении инструмента**
- Следуйте принятым в вашей стране требованиям/нормативам относительно пыли для тех материалов, с которыми вы собираетесь работать
- Будьте особенно осторожны при прорезывании проемов в несущих стенах (проемы в несущих стенах регламентируются законодательством каждой отдельной страны; эти правила следует соблюдать в любом случае)
- **Закрепите обрабатываемую деталь** (обрабатываемая деталь, зафиксированная посредством зажимных устройств или тисков, закрепляется лучше, нежели при помощи рук)
- Не зажимайте инструмент в тисках
- Используйте полностью размотанные и безопасные удлинители, рассчитанные на ток не менее 16 А

ВО ВРЕМЯ ИСПОЛЬЗОВАНИЯ

- При повреждении или разрезании сетевого шнура во время работы не прикасайтесь к нему, и немедленно выньте вилку из розетки
- Никогда не используйте инструмент, если сетевой шнур повреждён; необходимо, чтобы квалифицированный специалист заменил сетевой шнур
- В случае любой электрической или механической неисправности немедленно выключите инструмент и выньте вилку из розетки
- В случае прекращения электроснабжения, либо при случайном выпадении вилки из розетки, разблокируйте выключатель H ② для предотвращения неожиданного включения

ПОСЛЕ ИСПОЛЬЗОВАНИЯ

- После выключения инструмента никогда не пытайтесь остановить вращение насадок приложением поперечной силы

ИСПОЛЬЗОВАНИЕ

- Установка насадок ②
 - ! **разъединить штепсельный разъём**
 - очистите шпиндель A и все устанавливаемые детали
 - затяните зажимной фланец B гаечным ключом C при нажатой кнопке блокировки шпинделя D
 - ! **нажимайте кнопку блокировки шпинделя D только после полной остановки шпинделя A**
 - снятие насадок производится в обратном порядке

! во время работы шлифовальные/отрезные круги сильно разогреваются; не прикасайтесь к ним до их охлаждения

! при использовании абразивных насадок всегда устанавливайте уплотнительные прокладки

! никогда не используйте шлифовальный/отрезной круг без приклеенной отрывной этикетки (при наличии)

- Установка боковую ручку E ⑥
 - ! **разъединить штепсельный разъём**
 - винтите вспомогательную ручку E в инструмент справа, сверху или слева (в зависимости от выполняемой работы)
- Снятие/установка/регулировка защитного кожуха F ⑦
 - ! **разъединить штепсельный разъём**
 - ! **убедитесь в том, что закрытая часть защитного кожуха находится со стороны оператора**
- Перед использованием инструмента
 - убедитесь, что режущая насадка правильно установлена и надёжно закреплена
 - проверьте плавность вращения режущей насадки, вращая ее рукой
 - опробуйте работу инструмента в течение не менее 30 секунд на максимальной скорости без нагрузки в безопасном положении
 - в случае значительной вибрации или других дефектов немедленно остановите инструмент и проверьте его для определения причины дефекта
- Включение/отключение блокировочного переключателя H ⑧
 - включите инструмент ⑧a
 - ! **остерегайтесь внезапного удара при включении инструмента**
 - ! **до контакта с обрабатываемыми поверхностями скорость вращения устройства должна быть доведена до максимальной**
 - заблокируйте переключатель ⑧b
 - разблокируйте переключатель/отключите инструмент ⑧c
 - ! **перед тем как выключить инструмент, его следует поднять над обрабатываемым изделием**
 - ! **режущая насадка продолжает вращаться некоторое время после отключения инструмента**
- Шлифование ⑨
 - передвигайте инструмент вперед и назад с умеренным нажимом
 - ! **никогда не используйте отрезной круг для бокового шлифования**
- Резка ⑩
 - не наклоняйте инструмент при резке
 - для предотвращения выталкивания инструмента из участка резки двигайте инструмент только в направлении, указанном стрелкой на головке инструмента

- не прилагайте усилий на инструмент, так как скорости вращения режущего круга достаточно для выполнения работы
- рабочая скорость отрезного круга зависит от обрабатываемого материала
- не останавливайте отрезной круг приложением бокового усилия
- Удерживание и направление инструмента
 - для обеспечения контроля над инструментом всегда держите его крепко, обеими руками
 - ! во время работы, всегда держите инструмент за места правильного хвата, которые обозначены серым цветом ①**
 - выберите безопасное положение для работы
 - обращайтесь внимание на направление вращения; всегда держите инструмент так, чтобы искры и пыль шлифования/резки направлялись в сторону от тела
 - содержите вентиляционные отверстия J ② не закрытыми

СОВЕТЫ ПО ИСПОЛЬЗОВАНИЮ

- Вместо фланца B ② может использоваться быстрозажимной фланец "CLIC" (позиция SKIL 2610388766); шлифовальные/отрезные круги в этом случае могут устанавливаться без использования специальных ключей
- См дополнительную информацию на сайте www.skil.com

ТЕХОБСЛУЖИВАНИЕ / СЕРВИС

- Данный инструмент не подходит для промышленного использования
- Всегда содержите инструмент и его шнур в чистоте (особенно вентиляционные отверстия J ②)
 - ! не пытайтесь производить чистку путем введения через эти вентиляционные отверстия острых предметов**
 - ! перед чисткой инструмента выньте вилку из розетки**
- Если инструмент, несмотря на тщательные методы изготовления и испытания, выйдет из строя, то ремонт следует производить силами авторизованной сервисной мастерской для электроинструментов фирмы SKIL
 - отправьте **неразобранный** инструмент со свидетельством покупки Вашему дилеру или в ближайшую станцию обслуживания фирмы SKIL (адреса и схема обслуживания инструмента приведены в вебсайте www.skil.com)

ОХРАНА ОКРУЖАЮЩЕЙ СРЕДЫ

- **Не выкидывайте электроинструмент, принадлежности и упаковку вместе с бытовым мусором** (только для стран ЕС)
 - во исполнение европейской директивы 2002/96/ЕС об утилизации отслужившего свой срок электрического и электронного оборудования и в соответствии с действующим законодательством, утилизация электроинструментов производится отдельно от других отходов на предприятиях,

соответствующих условиям экологической безопасности

- значок ② напомним Вам об этом, когда появится необходимость сдать электроинструмент на утилизацию

ДЕКЛАРАЦИЯ О СООТВЕТСТВИИ СТАНДАРТАМ СЕ

- С полной ответственностью мы заявляем, что описанный в разделе "Технические данные" продукт соответствует нижеследующим стандартам или нормативным документам: EN 60745, EN 61000, EN 55014 согласно положениям директив 2004/108/EC, 2006/42/EC, 2011/65/EC
- **Техническая документация у:** SKIL Europe BV (PT-SEU/ENG1), 4825 BD Breda, NL

Marijn van der Hoofden
Operations & Engineering

Olaf Dijkgraaf
Approval Manager




SKIL Europe BV, 4825 BD Breda, NL

05.08.2013

- Информация о сертификате соответствия расположена на последней странице настоящей Инструкции
- Сертификаты соответствия хранятся по адресу: ООО "Роберт Бош" ул. Акад. Королёва, 13, стр. 5 Россия, 129515, Москва
С января 2014 г. Вашутинское шоссе, влад. 36 Россия, 141446 г.о. Химки
- Дата производства указана на табличке инструмента в формате ММ/ГГГГ (месяц/год)

ШУМНОСТИ/ВИБРАЦИИ

- При измерении в соответствии со стандартом EN 60745 уровень звукового давления для этого инструмента составляет 90 дБ (А) и уровень звуковой мощности - 101 дБ (А) (стандартное отклонение: 3 дБ), и вибрации - * м/с² (по методу для рук; недостоверность K = 1,5 м/с²)
 - * при шлифовке поверхности 8,1 м/с²
 - * при зачистке 6,2 м/с²
 - ! вибрационное значение может отличаться при других использованиях (например, при резании или работе с проволочной щеткой)**
- Уровень вибрации был измерен в соответствии со стандартизированным испытанием, содержащимся в EN 60745; данная характеристика может использоваться для сравнения одного инструмента с другим, а также для предварительной оценки воздействия вибрации при использовании данного инструмента для указанных целей
 - при использовании инструмента в других целях или с другими/неисправными вспомогательными приспособлениями уровень воздействия вибрации может значительно **повышаться**

- в периоды, когда инструмент отключен или функционирует без фактического выполнения работы, уровень воздействия вибрации может значительно **снижаться**

! **защищайте себя от воздействия вибрации, поддерживая инструмент и его вспомогательные приспособления в исправном состоянии, поддерживая руки в тепле, а также правильно организуя свой рабочий процесс**

UA

Кутова шліфувальна машина 9176

ВСТУП

- Інструмент призначений для шліфування, різки і зачистки металів та кам'яних матеріалів без використання води; при використанні відповідних насадок цей інструмент може використовуватись для щіткової та абразивної обробки
- Цей інструмент не придатний для промислового використання
- **Різання за допомогою склеєних абразивних ріжучих дисків дозволяється тільки при використанні обмежника різання (допоміжне пристосування 2610399439 від SKIL, що поставляється на вибір)**
- Прочитайте і збережіть цю Інструкцію з експлуатації

③

ТЕХНІЧНІ ДАНІ ①

ЕЛЕМЕНТИ ІНСТРУМЕНТА ②

- A Шпindelя
- B Затискний фланець
- C Гайковим ключ
- D Кнопка блокування шпindelя
- E Додаткова ручка
- F Захисний кожух
- G Установочному фланець
- H Увімкнення/вимкнення блокувального перемикача
- J Вентиляційні отвори

БЕЗПЕКА

ЗАГАЛЬНІ ВКАЗІВКИ З ТЕХНІКИ БЕЗПЕКИ

! УВАГА! Прочитайте всі попередження і вказівки. Недодержання попереджень і вказівок може призводити до удару електричним струмом, пожежі та/або серйозних травм. **Добре зберігайте на майбутнє ці попередження і вказівки.** Під поняттям "електроприлад" в цих попередженнях мається на увазі електроприлад, що працює від мережі (з електрокабелем) або від акумуляторної батареї (без електрокабелю).

1) БЕЗПЕКА НА РОБОЧОМУ МІСЦІ

- a) **Примайте своє робоче місце в чистоті та прибирайте його.** Безлад або погане освітлення на робочому місці можуть призводити до нещасних випадків.
 - b) **Не працюйте з приладом у середовищі, де існує небезпека вибуху внаслідок присутності горючих рідин, газів або пилу.** Електроприлади можуть породжувати іскри, від яких може займатися пил або пари.
 - c) **Під час працювання з приладом не підпускайте до робочого місця дітей та інших людей.** Ви можете втратити контроль над приладом, якщо Ваша увага буде відвернута.
- #### 2) ЕЛЕКТРИЧНА БЕЗПЕКА
- a) **Штепсель приладу повинен пасувати до розетки. Не дозволяється що-небудь міняти в штепселі. Для роботи з приладами, що мають захисне заземлення, не використовуйте адаптери.** Використання оригінального штепселя та належної розетки зменшує ризик удару електричним струмом.
 - b) **Уникайте контакту частей тіла із заземленими поверхнями, як напр., трубами, батареями опалення, печами та холодильниками.** Коли Ваше тіло заземлене, існує збільшена небезпека удару електричним струмом.
 - c) **Захищайте прилад від дощу та вологи.** Попадання води в електроінструмент збільшує ризик удару електричним струмом.
 - d) **Не використовуйте кабель для перенесення приладу, підвішування або витягування штепселя з розетки. Захищайте кабель від жару, олії, гострих країв та деталей приладу, що рухаються.** Пошкоджений або закручений кабель збільшує ризик удару електричним струмом.
 - e) **Для зовнішніх робіт обов'язково використовуйте лише такий подовжувач, що допущений для зовнішніх робіт.** Використання подовжувача, що розрахований на зовнішні роботи, зменшує ризик удару електричним струмом.
 - f) **Якщо не можна запобігти використанню електроприладу у вологому середовищі, використовуйте пристрій захисту від витоку в землю.** Використання зрестрою захисту від витоку в землю зменшує ризик удару електричним струмом.

3) БЕЗПЕКА ЛЮДЕЙ

- a) **Будьте уважними, слідуйте за тим, що Ви робите, та розсудливо поведіться під час роботи з електроприладом. Не користуйтеся приладом, якщо Ви стомлені або знаходитесь під дією наркотиків, спиртних напоїв або лік.** Мить неуважності при користуванні приладом може призводити до серйозних травм.
- b) **Вдягайте особисте захисне спорядження та обов'язково вдягайте захисні окуляри.** Вдягання особистого захисного спорядження, як напр., - в залежності від виду робіт - захисної маски, спецвзуття, що не ковзається, каски або навушників, зменшує ризик травм.
- c) **Уникайте ненавмисного вмикання. Перш ніж вмикати електроприлад в електромережу або встромляти акумуляторну батарею, брати його в**

- руки або переносити, впевніться в тому, що електроприлад вимкнутий. Тримання пальця на вимикачі під час перенесення електроприладу або встромління в розетку увімкненого приладу може призводити до травм.
- d) **Перед тим, як вмикати прилад, приберіть налагоджувальні інструменти та гайковий ключ.** Знаходження налагоджувального інструмента або ключа в деталі, що обертається, може призводити до травм.
- e) **Не переоцінюйте себе. Зберігайте стійке положення та завжди зберігайте рівновагу.** Це дозволить Вам краще зберігати контроль над приладом у несподіваних ситуаціях.
- f) **Вдягайте придатний одяг. Не вдягайте просторий одяг та прикраси. Не підставляйте волосся, одяг та рукавиці близько до деталей приладу, що рухаються.** Просторий одяга, прикраси та довге волосся можуть попадати в деталі, що рухаються.
- g) **Якщо існує можливість монтувати пиловідсмоктувальні або пилоуловлювальні пристрої, переконайтеся, щоб вони були добре під'єднані та правильно використовувалися.** Використання пиловідсмоктувального пристрою може зменшити небезпеки, зумовлені пилом.
- 4) ПРАВИЛЬНЕ ПОВЕДІННЯ ТА КОРИСТУВАННЯ ЕЛЕКТРОПРИЛАДАМИ**
- a) **Не перевантажуйте прилад. Використовуйте такий прилад, що спеціально призначений для певної роботи.** З придатним приладом Ви з меншим ризиком отримаєте кращі результати роботи, якщо будете працювати в зазначеному діапазоні потужності.
- b) **Не користуйтеся приладом з пошкодженим вимикачем.** Прилад, який не можна увімкнути або вимкнути, є небезпечним і його треба відремонтувати.
- c) **Перед тим, як регулювати що-небудь на приладі, міняти приладдя або ховати прилад, витягніть штепсель із розетки та/або витягніть акумуляторну батарею.** Ці попереджувальні заходи з техніки безпеки зменшують ризик ненавмисного запуску приладу.
- d) **Зберігайте електроприлади, якими Ви саме не користуєтесь, далеко від дітей. Не дозволяйте користуватися електроприладом особам, що не знайомі з його роботою або не читали ці вказівки.** У разі застосування недосвідченими особами прилади несуть в собі небезпеку.
- e) **Старанно доглядайте за приладом. Перевірте, щоб рухомі деталі приладу бездоганно працювали та не заїдали, не були поламаними або настільки пошкодженими, щоб це могло вплинути на функціонування приладу. Пошкоджені деталі треба відремонтувати в авторизованій майстерні, перш ніж ними можна знову користуватися.** Велика кількість нещасних випадків спричиняється поганим доглядом за електроприладами.
- f) **Тримайте різальні інструменти добре нагостреними та в чистоті.** Старанно доглянті

різальні інструменти з гострим різальним краєм менше застряють та їх легше вести.

- g) **Використовуйте електроприлади, приладдя до них, робочі інструменти т.і. відповідно до цих вказівок. Беріть до уваги при цьому умови роботи та специфіку виконуваної роботи.**

Використання електроприладів для робіт, для яких вони не передбачені, може призводити до небезпечних ситуацій.

5) СЕРВІС

- a) **Відавайте свій прилад на ремонт лише кваліфікованим фахівцям та лише з використанням оригінальних запчастин.** Це забезпечить безпечність приладу на довгий час.

ПРАВИЛА ТЕХНІКИ БЕЗПЕКИ ДЛЯ КУТОВИХ ШЛІФУВАЛЬНИХ МАШИН

1) ПРАВИЛА ТЕХНІКИ БЕЗПЕКИ ДЛЯ ВСІХ ВИДІВ РОБІТ

- a) **Цей електроприлад може використовуватися в якості шліфмашини, дрютяної щітки і абразивно-відрізного верстата. Зважайте на всі попередження, вказівки, зображення приладу і його технічні дані, що Ви їх отримали разом з електроприладом.** Недодержання нижчеподаних вказівок може призводити до удару електричним струмом, пожежі і/або важких тілесних ушкоджень.
- b) **Не рекомендується застосовувати даний електроінструмент для полірування.** Операції, для яких цей інструмент не призначений, можуть наразити на небезпеку і спричинити травму.
- c) **Використовуйте лише приладдя, що передбачене і рекомендоване виготовлювачем спеціально для цього електроприладу.** Сама лише можливість закріплення приладдя на Вашому електроприладі не гарантує його безпечне використання.
- d) **Допустима кількість обертів робочого інструмента повинна як мінімум відповідати максимальній кількості обертів, що зазначена на електроприладі.** Приладдя, що обертається швидше ніж допустимо, може бути зіпсоване.
- e) **Зовнішній діаметр і товщина робочого інструмента повинна відповідати параметрам Вашого електроприладу.** При неправильних розмірах робочого інструмента існує небезпека того, що робочий інструмент буде недостатньо прикриватися та Ви можете втратити контроль над ним.
- f) **Вставні робочі інструменти з різьбою повинні точно пасувати до різьби шліфувального шпинделя.** У вставних робочих інструментах, які монтуються за допомогою фланця, діаметр отвору вставного робочого інструмента повинен пасувати до прийомного діаметра фланця. Вставні робочі інструменти, що не точно кріпляться на електро-інструменті, обертаються нерівномірно, сильно вібрують і можуть призвести до втрати контролю над ними.
- g) **Не використовуйте пошкоджені робочі інструменти. Перед кожним використанням перевіряйте робочі інструменти, зокрема:**

шліфувальні круги на відламки та тріщини, тарілчасті шліфувальні круги на тріщини, знос або сильне притуплення, дротяні щітки на розхитані або зламані дроти. Якщо електроприлад або робочий інструмент вправ, перевірте, чи не пошкодився він, або використовуйте непошкоджений робочий інструмент. Після перевірки і монтажу робочого інструмента Ви самі і інші особи, що знаходяться поблизу, повинні стати так, щоб не знаходитися в площині робочого інструмента, що обертається, після чого увімкніть електроприлад на одну хвилину на максимальну кількість обертів. Пошкоджені робочі інструменти більшістю ламаються під час такої перевірки.

- h) **Вдягайте особисте захисне спорядження** (4). В залежності від виду робіт використовуйте захисну маску, захист для очей або захисні окуляри. За необхідністю вдягайте респіратор, навушники, захисні рукавиці або спеціальний фартух, щоб захистити себе від невеличких частинок, що утворюються під час шліфування, та частинок матеріалу. Очі повинні бути захищені від відлетілих чужорідних тіл, що утворюються при різних видах робіт. Респіратор або маска повинні відфільтрувати пил, що утворюється під час роботи. При тривалій роботі при гучному шумі можна втратити слух.
- i) **Слідуйте за тим, щоб інші особи дотримувалися безпечної відстані від Вашої робочої зони.** Кожен, хто заходить у робочу зону, повинен мати особисте захисне спорядження. Уламки оброблюваного матеріалу або зламані робочі інструменти можуть відлітати та спричиняти тілесні ушкодження навіть за межами безпосередньої робочої зони.
- j) **При роботах, коли робочий інструмент може зачепити захovanу електропроводку або власний шнур живлення, тримайте електроінструмент лише за ізольовані рукоятки.** Зачеплення проводки, що знаходиться під напругою, може заряджувати також і металеві частини електроінструмента та призводити до удару електричним струмом.
- k) **Тримайте шнур живлення на відстані від робочого інструмента, що обертається.** При втраті контролю над приладом може перерізатися або захопитися шнур живлення та Ваша рука може потрапити під робочий інструмент, що обертається.
- l) **Перш, ніж покласти електроприлад, зачекайте, поки робочий інструмент повністю не зупиниться.** Робочий інструмент, що ще обертається, може зачепити поверхню, на яку Ви його кладете, через що Ви можете втратити контроль над електроприладом.
- m) **Не залишайте електроприлад увімкнутим під час перенесення.** Ваш одяг може випадково потрапити в робочий інструмент, що обертається, та робочий інструмент може пробурувати Вас
- n) **Регулярно прочищайте вентиляційні щілини Вашого електроприладу.** Вентилятор електромотора затягує пил у корпус, сильне

накопичення металевого пилю може призвести до електричної небезпеки.

- o) **Не користуйтеся електроприладом поблизу від горючих матеріалів.** Такі матеріали можуть займатися від іскор.
- p) **Не використовуйте робочі інструменти, що потребують охолоджувальної рідини.** Використання води або іншої охолоджувальної рідини може призвести до удару електричним струмом.
- 2) СІПАННЯ ТА ВІДПОВІДНІ ПОПЕРЕДЖЕННЯ**
- Сіпання – це несподівана реакція приладу на зачеплення або застрявання робочого інструмента, що обертається, наприклад, шліфувального круга, тарілчастого шліфувального круга, дротяної щітки тощо. Зачеплення або застрявання призводить до різкої зупинки робочого інструмента, що обертається. В результаті електроприлад починає неконтрольовано рухатися з прискоренням проти напрямку обертання робочого інструмента в місці застрявання.
 - Якщо, наприклад, шліфувальний круг зачепиться або застряє в оброблюваному матеріалі, кромка шліфувального круга, якою той зайшов у оброблюваний матеріал, може застряти і, таким чином, шліфувальний круг може вискочити з оброблюваної поверхні або сіпнутися. В результаті шліфувальний круг починає рухатися в напрямку особи, що обслуговує прилад, або у протилежному напрямку, в залежності від напрямку обертання круга в місці застрявання. При цьому шліфувальний круг може переламатися.
 - Сіпання – це результат неправильної експлуатації або помилки при роботі з електроприладом. Йому можна запобігти за допомогою належних запобіжних заходів, що описані нижче.
- a) **Міцно тримайте електроприлад, тримайте своє тіло та руки у положенні, в якому Ви зможете протистояти сіпанню.** Завжди використовуйте додаткову рукоятку (за її наявності), щоб бути в стані найкращим чином справитися з сіпанням і реактивними моментами при високій частоті обертання робочого інструмента. З сіпанням та реактивними моментами можна справитися за умови придатних запобіжних заходів.
- b) **Ніколи не тримайте руку поблизу від робочого інструмента, що обертається.** При сіпанні робочий інструмент може відскочити Вам на руку.
- c) **Уникайте своїм корпусом місць, нуди в разі сіпання може відскочити електроприлад.** При сіпанні електроприлад відскакує в напрямку, протилежному руху шліфувального круга в місці застрявання.
- d) **Працюйте з особливою обережністю в кутах, на гострих краях тощо.** Запобігайте відскануванню робочого інструмента від оброблюваного матеріалу та його заклинюванню. В кутах, на гострих краях або при відскануванні робочий інструмент може заклинюватися. Це призводить до втрати контролю або сіпання.
- e) **Не використовуйте ланцюгові пиляльні диски та пиляльні диски з зубцями.** Такі робочі інструменти

часто спричиняють сіпання або втрату контролю над електроприладом.

3) ОСОБЛИВИ ПОПЕРЕДЖЕННЯ ПРИ ШЛІФУВАННІ ТА АБРАЗИВНІ ОБРІЗАННЯ

- a) Використовуйте лише шліфувальні круги, дозволені для Вашого електроприладу, та захисний кожух, що передбачений для відповідного шліфувального круга. Шліфувальні круги, що не передбачені для електроприладу, не можна достатньою мірою прикрити, тому вони небезпечні.
 - b) Вигнуті шліфувальні круги потрібно монтувати таким чином, щоб їх робоча поверхня не виступала за край захисного кожуха. Неправильно монтований шліфувальний круг, що виступає за край захисного кожуха, не захищений достатнім чином.
 - c) Захисний кожух має бути надійно встановлений на електроприладі та відрегульований таким чином, щоб досягти максимальної безпеки, тобто щоб на особу, що обслуговує прилад, дивилася якомога менша частина непринитого шліфувального круга. Захисний кожух має захищати особу, що обслуговує прилад, від уламків, випадкового контакту із шліфувальним кругом, та іскрами, що можуть запалити одяг.
 - d) Шліфувальні круги можна використовувати лише для рекомендованих видів робіт. Наприклад: Ніколи не шліфуйте боковою поверхнею відрізного круга. Відрізни круги призначені для знімання матеріалу кромкою круга. Бічне навантаження може зламати шліфувальний круг.
 - e) Завжди використовуйте для вибраного Вами шліфувального круга непошкоджені затиски фланець відповідного розміру та форми. Придатний фланець підтримує шліфувальний круг і, таким чином, зменшує небезпеку переломлення шліфувального круга. Фланці для відрізних шліфувальних кругів можуть відрізнятись від фланців для інших шліфувальних кругів.
 - f) Не використовуйте зношені шліфувальні круги, що вживалися на електроприладах більших розмірів. Шліфувальні круги для більших електроприладів не розраховані на більшу кількість обертів менших електроприладів та можуть ламатися.
- ### 4) ІНШІ ОСОБЛИВИ ПОПЕРЕДЖЕННЯ ПРИ ВІДРІЗАННІ ШЛІФУВАЛЬНИМ КРУГОМ
- a) Уникайте застрявання відрізного круга або занадто сильного натискання. Не робіть занадто глибоких надрізів. Занадто сильне натискання на відрізни круг збільшує навантаження на нього та його схильність до перекосу або застрявання і таким чином збільшує можливість сіпання або ламання шліфувального круга.
 - b) Уникайте зони попереду та позаду відрізного круга, що обертається. Якщо Ви пересуваєте відрізни круг в оброблюваному матеріалі в напрямку від себе, при сіпанні електроприлад з кругом, що обертається, може відскочити прямо на Вас.
 - c) Якщо відрізни круг заклинить або Ви зупините роботу, вимкніть електроприлад та тримайте

його спокійно, поки круг не зупиниться. Ніколи не намагайтеся вийняти з прорізу відрізни круг, що ще обертається, інакше електроприлад може сіпнутися. З'ясуйте та усуньте причину заклинання.

- d) Не вмийкайте електроприлад до тих пір, поки він ще знаходиться в оброблюваному матеріалі. Дайте відрізному кругу спочатку досягти повного числа обертів, перш ніж Ви обережно продовжите роботу. В противному випадку круг може застряти, вискочити з оброблюваного матеріалу або сіпнутися.
- e) Підпирайте плити або великі оброблювані поверхні, щоб зменшити ризик сіпання через заклинання відрізного круга. Великі оброблювані поверхні можуть прогинатися під власною вагою. Оброблюваний матеріал треба підпирати з обох боків: як поблизу від прорізу, так і з краю.
- f) Будьте особливо обережні при прорізах в стінах або в інших місцях, в які Ви не можете зазирнути. Відрізни круг, що занурюється, може порізати газопровід або водопровід, електропроводку або інші об'єкти і спричинити сіпання.

5) ОСОБЛИВИ ПОПЕРЕДЖЕННЯ ПРИ ШЛІФУВАННІ НАЖДАНОМ

- a) Не використовуйте завеликі абразивні шкурки, дотримуйтеся інструкції виготовлювача щодо розміру абразивних шукрок. Абразивна шкурка, що виступає за тарілчастий шліфувальний круг, може спричинити тілесні ушкодження, а також застрявання, розрив абразивної шкурки або призвести до сіпання.
- ### 6) ОСОБЛИВИ ПОПЕРЕДЖЕННЯ ПРИ РОБОТІ З ДРОТЯНИМИ ЦІТКАМИ
- a) Зважайте на те, що навіть під час звичайного використання з дротяної цітки можуть відламуватися шматочки дроту. Не створюйте занадто сильне навантаження на дроти, занадто сильно натискаючи на цітку. Шматочки дроту, що відлітають, можуть дуже легко впиватися в тонкий одяг та/або шкіру.
 - b) Якщо рекомендується захисний кожух, запобігайте тому, щоб захисний кожух та дротяна цітка торналися одне одного. Тарілчасті та чашкові дротяні цітки можуть в результаті притискування та через відцентрові сили збільшувати свій діаметр.

ЗАГАЛЬНЕ

- Цей інструмент не підходить для мокрої різки/шліфовки
- Використовуйте тільки ті фланці, що поставляються з інструментом
- Цей інструмент не можна використовувати особам віком до 16 років
- Перед регулюванням або заміною приладдя обов'язково вийміть вилку із сітьової розетки НАСАДНИ
- SKIL гарантує надійну роботу інструмента тільки при використанні відповідного приладдя
- Використовуйте лише фувальні/відрізни круги з максимальною шириною 8 мм та діаметром посадочного отвору 22 мм

- При установці/використанні насадок не від фірми SKIL, дотримуйтеся інструкцій відповідного заводу-виробника
- Не допускається використання яких-небудь переходників для встановлення шліфувальних/відрізних кругів з отвором більшого діаметра
- Заборонено використання насадок з "глухим" отвором меншим, ніж M14 x 21 мм

ВИКОРИСТАННЯ ПОЗА ПРИМІЩЕННЯМ

- Під час роботи на вулиці, підключайте інструмент через запобіжник короткого замикання (FI) з максимальним пусковим струмом 30 мА

ПЕРЕД ВИКОРИСТАННЯМ

- Перед використанням інструменту в перший раз ретельно отримати практичну інформацію
- Перед роботою перевірте відповідність струму в мережі із струмом, позначені на інструменті (інструменти, розраховані на 230В або 240В, також можуть підключатися до мережі 220В)
- Завжди встановлюйте бокову ручку E ② а захисний кожух F ②; ніколи не використовуйте інструмент без них
- Використовуйте придатні пошукові прилади для знаходження захованих в будівлі труб та кабелів або зверніться за допомогою в місцеве підприємство електро-, газо- та водопостачання (зачеплення електропроводки може призводити до пожежі та удару електричним струмом; зачеплення газової труби може призводити до вибуху; зачеплення водопровідної труби може завдати шкоду матеріальним цінностям або призводити до удару електричним струмом)
- Не обробляйте матеріали, що містять асбест (асбест вважається канцерогенним)
- Пил від таких матеріалів, як свинцовоутримуюча фарба, деякі породи дерева, мінерали й метал, може бути шкідливим (контакт із таким пилом або його вдихання може стати причиною виникнення в оператора або осіб, що перебувають поруч, алергічних реакцій і/або респіраторних захворювань); надягайте респіратор і працюйте з пиловиділяючим пристроєм під час увімкнення інструмента
- Деякі види пилу класифікуються як канцерогенні (наприклад, дубовий або буковий пил), особливо в сполученні з добавками для кондиціонування деревини; надягайте респіратор і працюйте з пиловиділяючим пристроєм під час увімкнення інструмента
- Слідуйте інструкціям по роботі з матеріалами, продуцуючими пил
- Будьте особливо обережними при прорізання прорізів у несучих стінах (такі прорізання необхідно узгодити з архітектором або з інспектором по будівництву)
- Зафіксуйте оброблювану деталь (оброблювана деталь, зафіксована за допомогою затискних пристроїв або лещат, закріплюється краще, ніж вручну)
- Не затискайте інструмент у тисках
- Використовуйте повністю розгорнений шнур подовжувача, який може витримувати навантаження в 16 Ампер

ПІД ЧАС ВИКОРИСТАННЯ

- Якщо шнур пошкоджений або прорізаний при роботі, не доторкайтеся до нього і негайно витягніть його з розетки
- Ніколи не використовуйте інструмент з пошкодженим шнуром; його повинен замінити кваліфікований фахівець
- У разі електричної або механічної несправності, негайно відключите інструмент і вимкніть з розетки
- У випадку припинення електропостачання, або при випадковому випаданні вилки з розетки, розблокуйте вимикач H ② для запобігання неочікуваного ввімкнення

ПІСЛЯ ВИКОРИСТАННЯ

- Після вимкнення інструмента ніколи не намагайтеся зупинити обертання насадок за допомогою прикладання поперечної сили

ВИКОРИСТАННЯ

- Установлення насадок ②
 - ! **вийняти вилку з розетки**
 - відчистіть шпindel A та всі деталі, що будуть встановлені
 - затягніть затискний фланець B гайковим ключем C при нажатій кнопці блокування шпінделя D
 - ! **натискайте кнопку блокування шпінделя D тільки після повної зупинки шпінделя A**
 - зняття насадок проводиться у зворотному порядку
 - ! **під час роботи шліфувальні/відрізні круги сильно розігріваються; не доторкайтеся до них поки вони не остигнуть**
 - ! **при використанні абразивних насадок завжди встановлюйте ущільнювальні прокладки**
 - ! **ніколи не використовуйте шліфувальний/відрізний круг без маркування (за її наявності)**
- Установлення бокової ручки E ⑥
 - ! **вийняти вилку з розетки**
 - угвинтите допоміжну рукоятку E в інструмент справа, зверху або зліва (залежно від роботи, яку треба виконати)
- Зняття/установлення/регулювання захисний кожух F ⑦
 - ! **вийняти вилку з розетки**
 - ! **переконатесь в тому, що задня сторона захисного кожуха знаходиться з боку оператора**
- Перед використанням інструмента
 - упевніться, що приладдя правильно встановлене і міцно закріплене
 - перевірте чи приладдя вільно обертається при повертанні рукою
 - увімкніть для проби інструмент принаймні на 30 секунд на найвищих оборотах без навантаження, тримаючи його у безпечній позиції
 - негайно вимкніть інструмент у випадку значної вібрації або інших дефектів і перевірте інструмент щоб визначити причину
- Увімкнення/вимкнення блокувального перемикача H ⑧
 - увімкніть інструмент ⑧a
 - ! **будьте готові до ривка інструмента при увімкненні**

- ! перш ніж приладдя торкнеться оброблюваного виробу, інструмент повинен набрати повні оберти
- заблокуйте вимикач ⑧ b
- розблокуйте вимикач/відключіть інструмент ⑧ c
- ! перш ніж відкрити інструмент, його треба відвести від оброблюваного виробу
- ! різуча насадна продовжує обертатись ще декілька секунд після відключення інструменту
- Шліфування ⑨
 - пересувайте інструмент вперед та назад із помірним навантаженням
 - ! ніколи не використовуйте відрізний круг для бічного шліфування
- Різка ⑩
 - не нахилийте інструмент при різці
 - для того, щоб попередити виштовхування інструменту з різальної ділянки, рухайте ним тільки в тому напрямі, що вказаний стрілкою на голівці інструменту
 - не прикладайте зусиль на інструмент, тому що швидкості обертання різучого круга достатньо для виконання роботи
 - робоча швидкість швидкість відрізного круга залежить від матеріалу поверхні, що обробляється
 - не зупиняйте відрізний круг за допомогою бічного зусилля
- Утримування і робота інструментом
 - для забезпечення контролю над інструментом завжди тримайте його міцно, двома руками
 - ! під час роботи, завжди тримайте інструмент за частини захвату сірого кольору ⑪
 - оберіть безпечне положення для роботи
 - звертайте увагу на напрям обертання; завжди тримайте інструмент так, щоб іскри та пилюка шліфування/різки направлялись в бік від тіла
 - тримайте вентиляційні отвори J ⑫ закритими

ПОРАДИ ПО ВИКОРИСТАННЮ

- Замість фланця B ② може використовуватись швидкозахисний фланець "CLIC" (аксесуар SKIL 2610388766); шліфувальні/відрізни круги в цьому випадку можуть встановлюватись без використання спеціальних ключей
- Див додаткову інформацію на www.skil.com

ДОГЛЯД/ОБСЛУГОВУВАННЯ

- Цей інструмент не придатний для промислового використання
- Завжди тримайте інструмент та його шнур в чистоті (особливо вентиляційні отвори J ②)
 - ! не намагайтесь виконувати чистку шляхом уводу через ці вентиляційні отвори гострих предметів
 - ! перед чисткою інструменту необхідно роз'єднати штепсельний роз'єм
- Якщо незважаючи на ретельну технологію виготовлення і перевірки інструмент все-таки вийде з ладу, його ремонт дозволяється виконувати лише в авторизованій сервісній майстерні для електроприладів SKIL

- надішліть **нерозібраний** інструмент разом з доказом купівлі до Вашого дилера або до найближчого центру обслуговування SKIL (адреси, а також діаграма обслуговування пристрою, подаються на сайті www.skil.com)

ОХОРОНА НАВКОЛИШНЬОЇ СЕРЕДИ

- **Не викидайте електроінструмент, належності та упаковку разом зі звичайним сміттям** (тільки для країн ЄС)
 - відповідно до європейської директиви 2002/96/ЄС щодо утилізації старих електричних та електронних приладів, в залежності з місцевим законодавством, електроінструмент, який перебував в експлуатації повинен бути утилізований окремо, безпечним для навколишнього середовища шляхом
 - малюнок ⑫ нагадає вам про це

ДЕКЛАРАЦІЯ ПРО ВІДПОВІДНІСТЬ СТАНДАРТАМ СЕ

- Ми заявляємо під нашу виключну відповідальність, що описаний в "Технічні дані" продукт відповідає таким нормам або нормативним документам: EN 60745, EN 61000, EN 55014 у відповідності до положень директив 2004/108/EG, 2006/42/EG, 2011/65/EC
- **Технічні документи в:** SKIL Europe BV (PT-SEU/ENG1), 4825 BD Breda, NL

Marijn van der Hoofden Olaf Dijkgraaf
Operations & Engineering Approval Manager




SKIL Europe BV, 4825 BD Breda, NL

05.08.2013

ШУМ/ВІБРАЦІЯ

- Зміряний відповідно до EN 60745 рівень тиску звуку даного інструменту 90 дБ(A) і потужність звуку 101 дБ(A) (стандартне відхилення: 3 дБ), і вібрація * м/с² (ручна методика; похибка K = 1,5 м/с²)
 - * шліфування поверхні 8,1 м/с²
 - * шліфування 6,2 м/с²
 - ! при іншому застосуванні (наприклад, обрізання або зачищення дротів) показники вібрації можуть змінюватись
- Рівень вібрації було виміряно у відповідності зі стандартизованим випробуванням, що міститься в EN 60745; дана характеристика може використовуватись для порівняння одного інструмента з іншим, а також для попередньої оцінки впливу вібрації під час застосування даного інструмента для вказаних цілей
 - при використанні інструмента в інших цілях або з іншими/несправними допоміжними пристосуваннями рівень впливу вібрації може значно **підвищуватись**

- у періоди, коли інструмент вимикнений або функціонує без фактичного виконання роботи, рівень впливу вібрації може значно знизуватися
- ! захищайте себе від впливу вібрації, підтримуючи інструмент і його допоміжні пристосування в справному стані, підтримуючи руки в теплі, а також правильно організовуючи свій робочий процес**

GR

Γωνιακός τροχός

9176

ΕΙΣΑΓΩΓΗ

- Αυτό το εργαλείο προορίζεται για το τρόχισμα, την κοπή και την αφαίρεση γρεζιών μετάλλου και πέτρας χωρίς τη χρήση νερού - με τα κατάλληλα εξαρτήματα, το εργαλείο μπορεί να χρησιμοποιηθεί επίσης για βούρτσισμα και λείανση
- Αυτό το εργαλείο δεν προορίζεται για επαγγελματική χρήση
- Οι εργασίες κοπής με τη χρήση τροχών κοπής επιτρέπονται μόνο με τη χρήση του προστατευτικού κοπής (διατίθεται προαιρετικά ως αξεσουάρ SKIL 2610399439)
- Διαβάστε και φυλάξτε αυτές τις οδηγίες χρήσεως ③

ΤΕΧΝΙΚΑ ΧΑΡΑΚΤΗΡΙΣΤΙΚΑ ①

ΜΕΡΗ ΤΟΥ ΕΡΓΑΛΕΙΟΥ ②

- A Άτρακτος
- B Φλάντζα σύσφιξης
- C Γαλλικό κλειδί
- D Κουμπί ασφάλισης της άτρακτου
- E Βοηθητική λαβή
- F Προφυλακτήρας
- G Φλάντζα στερέωσης
- H Διακόπτης ασφαλείας εκκίνησης/στάσης
- J Σχισμές αερισμού

ΑΣΦΑΛΕΙΑ

ΓΕΝΙΚΕΣ ΥΠΟΔΕΙΞΕΙΣ ΑΣΦΑΛΕΙΑΣ

▲ ΠΡΟΕΙΔΟΠΟΙΗΣΗ! Διαβάστε όλες τις προειδοποιητικές υποδείξεις. Αμέλειες κατά την τήρηση των προειδοποιητικών υποδείξεων μπορεί να προκαλέσουν ηλεκτροπληξία, κίνδυνο πυρκαγιάς ή/και σοβαρούς τραυματισμούς. **Φυλάξτε όλες τις προειδοποιητικές υποδείξεις και οδηγίες για κάθε μελλοντική χρήση.** Ο ορισμός "ηλεκτρικό εργαλείο" που χρησιμοποιείται στις προειδοποιητικές υποδείξεις αναφέρεται σε ηλεκτρικά εργαλεία που τροφοδοτούνται από το ηλεκτρικό δίκτυο (με ηλεκτρικό καλώδιο) καθώς και σε ηλεκτρικά εργαλεία που τροφοδοτούνται από μπαταρία (χωρίς ηλεκτρικό καλώδιο).

1) ΑΣΦΑΛΕΙΑ ΣΤΟ ΧΩΡΟ ΕΡΓΑΣΙΑΣ

- a) Διατηρείτε το χώρο που εργάζεστε καθαρό και καλά φωτισμένο. Αταξία στο χώρο που εργάζεστε ή

μη φωτισμένες περιοχές εργασίας μπορεί να οδηγήσουν σε ατυχήματα.

- b) **Μην εργάζεστε με το ηλεκτρικό εργαλείο σε περιβάλλον που υπάρχει κίνδυνος έκρηξης, στο οποίο υπάρχουν εύφλεκτα υγρά, αέρια ή σκόνη.** Τα ηλεκτρικά εργαλεία μπορεί να δημιουργήσουν σπινθηρισμό ο οποίος μπορεί να αναφλέξει τη σκόνη ή τις αναθυμιάσεις.
- c) **Όταν χρησιμοποιείτε το ηλεκτρικό εργαλείο κρατάτε τα παιδιά κι άλλα τυχόν πρόσωπα μακριά από το χώρο που εργάζεστε.** Σε περίπτωση που άλλα άτομα αποσπάσουν την προσοχή σας μπορεί να χάσετε τον έλεγχο του μηχανήματος.

2) ΗΛΕΚΤΡΙΚΗ ΑΣΦΑΛΕΙΑ

- a) **Το φως του καλωδίου του ηλεκτρικού εργαλείου πρέπει να ταιριάζει στην αντίστοιχη πρίζα. Δεν επιτρέπεται με κανένα τρόπο η μετασκευή του φως. Μη χρησιμοποιείτε προσαρμοστικά φως σε συνδυασμό με ηλεκτρικά εργαλεία συνδεδεμένα με τη γη (γειωμένα).** Αθίκτα φως και κατάλληλες πρίζες μειώνουν τον κίνδυνο ηλεκτροπληξίας.
 - b) **Αποφεύγετε την επαφή του σώματος σας με γειωμένες επιφάνειες όπως σωλήνες, θερμαντικά σώματα (καλοριφέρ), κουζίνες και ψυγεία.** Όταν το σώμα σας είναι γειωμένο αυξάνεται ο κίνδυνος ηλεκτροπληξίας.
 - c) **Μην εκθέτετε το ηλεκτρικό εργαλείο στη βροχή ή την υγρασία.** Η διείσδυση νερού στο ηλεκτρικό εργαλείο αυξάνει τον κίνδυνο ηλεκτροπληξίας.
 - d) **Μη χρησιμοποιείτε το καλώδιο για να μεταφέρετε ή ν' αναρτήσετε το ηλεκτρικό εργαλείο ή για να βγάλετε το φως από την πρίζα. Κρατάτε το καλώδιο μακριά από υψηλές θερμοκρασίες, λάδια, κοφτερές ακμές ή κινούμενα εξαρτήματα.** Τυχόν χαλασμένα ή μπερδεμένα καλώδια αυξάνουν τον κίνδυνο ηλεκτροπληξίας.
 - e) **Όταν εργάζεστε με το ηλεκτρικό εργαλείο στο ύπαιθρο χρησιμοποιείτε πάντοτε καλώδια επιμήκυνσης (μπαλαντάζες) που έχουν εγκριθεί για χρήση σε εξωτερικούς χώρους.** Η χρήση καλωδίων επιμήκυνσης εγκριμένων για εργασία σε εξωτερικούς χώρους μειώνει τον κίνδυνο ηλεκτροπληξίας.
 - f) **Όταν η χρήση του ηλεκτρικού εργαλείου σε υγρό περιβάλλον είναι αναπόφευκτη, τότε χρησιμοποιήστε έναν προστατευτικό διακόπτη διαρροής.** Η χρήση ενός προστατευτικού διακόπτη διαρροής ελαττώνει τον κίνδυνο ηλεκτροπληξίας.
- #### 3) ΑΣΦΑΛΕΙΑ ΠΡΟΣΩΠΩΝ
- a) **Να είστε πάντοτε προσεκτικός/προσεκτική, να δίνετε προσοχή στην εργασία που κάνετε και να χειρίζεστε το ηλεκτρικό εργαλείο με περίσκεψη. Μην κάνετε χρήση του ηλεκτρικού εργαλείου όταν είστε κουρασμένος/κουρασμένη ή όταν βρίσκεστε υπό την επιρροή ναρκωτικών, οινόπνευματος ή φαρμάκων.** Μια στιγμήαία απροσεξία κατά το χειρισμό του ηλεκτρικού εργαλείου μπορεί να οδηγήσει σε σοβαρούς τραυματισμούς.
 - b) **Φοράτε προστατευτικά ενδύματα και πάντοτε προστατευτικά γυαλιά.** Όταν φοράτε ενδύματα ασφαλείας, ανάλογα με το υπό χρήση ηλεκτρικό εργαλείο, όπως προσωπίδα προστασίας από σκόνη,

- αντιολισθικά παπούτσια ασφαλείας, κράνη ή ωτασπίδες, μειώνεται ο κίνδυνος τραυματισμών.
- c) **Αποφεύγετε την αθέλητη εκκίνηση. Βεβαιωθείτε ότι το ηλεκτρικό εργαλείο έχει αποσυνευχτεί πριν το συνδέσετε με το ηλεκτρικό δίκτυο ή/και με την μπαταρία καθώς και πριν το παραλάβετε ή το μεταφέρετε.** Όταν μεταφέρετε το ηλεκτρικό εργαλείο έχοντας το δάχτυλό σας στο διακόπτη ή όταν συνδέσετε το μηχάνημα με την πηγή ρεύματος όταν αυτό είναι ακόμη συζευγμένο, τότε δημιουργείται κίνδυνος τραυματισμών.
- d) **Αφαιρείτε από τα ηλεκτρικά εργαλεία πριν τα θέσετε σε λειτουργία τυχόν συναρμολογημένα χρησιμοποιήσιμα εργαλεία ή κλειδιά.** Ένα εργαλείο ή κλειδί συναρμολογημένο στο περιστρεφόμενο εξάρτημα ενός ηλεκτρικού εργαλείου μπορεί να οδηγήσει σε τραυματισμούς.
- e) **Μην υπερκτιμάτε τον εαυτό σας. Φροντίζετε για την ασφαλή στήριξη του σώματός σας και διατηρείτε πάντοτε την ισορροπία σας.** Αυτό σας επιτρέπει τον καλύτερο έλεγχο το ηλεκτρικού εργαλείου σε περιπτώσεις απροσδόκητων καταστάσεων.
- f) **Φοράτε κατάλληλη ενδυμασία εργασίας. Μη φοράτε φαρδιά ενδύματα ή κοσμήματα. Κρατάτε τα μαλλιά σας, τα ενδύματα σας και τα γάντια σας μακριά από τα κινούμενα εξαρτήματα.** Χαλαρή ενδυμασία, κοσμήματα και μακριά μαλλιά μπορεί να εμπλακούν στα κινούμενα εξαρτήματα.
- g) **Αν υπάρχει η δυνατότητα συναρμολόγησης διατάξεων αναρρόφησης ή συλλογής σκόνης, βεβαιωθείτε αν οι διατάξεις αυτές είναι συνδεδεμένες καθώς κι αν χρησιμοποιούνται σωστά.** Η χρήση μιας αναρρόφησης σκόνης μπορεί να ελαττώνει τον κίνδυνο που προκαλείται από τη σκόνη.
- 4) ΧΡΗΣΗ ΚΙ ΕΠΙΜΕΛΗΣ ΧΕΙΡΙΣΜΟΣ ΤΩΝ ΗΛΕΚΤΡΙΚΩΝ ΕΡΓΑΛΕΙΩΝ**
- a) **Μην υπερφορτώνετε το ηλεκτρικό εργαλείο. Χρησιμοποιείτε για την εκάστοτε εργασία σας το ηλεκτρικό εργαλείο που προορίζεται γι' αυτήν.** Με το κατάλληλο ηλεκτρικό εργαλείο εργάζεσθε καλύτερα και ασφαλέστερα στην αναφερόμενη περιοχή ισχύος.
- b) **Μη χρησιμοποιήσετε ποτέ ένα ηλεκτρικό εργαλείο του οποίου ο διακόπτης ON/OFF είναι χαλασμένος.** Ένα ηλεκτρικό εργαλείο το οποίο δεν μπορεί να τεθεί πλέον σε ή εκτός λειτουργίας είναι επικίνδυνο και πρέπει να επισκευαστεί.
- c) **Βγάζετε το φως από την πρίζα και/ή αφαιρέστε την μπαταρία πριν διεξάγετε στο εργαλείο μια οποιαδήποτε εργασία ρύθμισης, πριν αλλάξετε ένα εξάρτημα ή όταν πρόκειται να διαφυλάξετε/να αποθηκεύσετε το εργαλείο.** Αυτά τα προληπτικά μέτρα ασφαλείας μειώνουν τον κίνδυνο από τυχόν αθέλητη εκκίνηση του ηλεκτρικού εργαλείου.
- d) **Διαφυλάγετε τα ηλεκτρικά εργαλεία που δε χρησιμοποιείτε μακριά από παιδιά. Μη αφήνετε άτομα που δεν είναι εξοικειωμένα με το ηλεκτρικό εργαλείο ή δεν έχουν διαβάσει αυτές τις οδηγίες χρήσης να το χρησιμοποιούν.** Τα ηλεκτρικά εργαλεία είναι επικίνδυνα όταν χρησιμοποιούνται από άπειρα πρόσωπα.

- e) **Να περιποιήστε προσεκτικά το ηλεκτρικό σας εργαλείο και να ελέγχετε, αν τα κινούμενα τμήματα του λειτουργούν άψογα και δεν μπλοκάρουν, ή μήπως έχουν χαλασεί ή σπάσει εξαρτήματα, τα οποία επηρεάζουν έτσι αρνητικά τον τρόπο λειτουργίας του ηλεκτρικού εργαλείου. Δώστε τυχόν χαλασμένα εξαρτήματα του ηλεκτρικού εργαλείου για επίσκεψη πριν το χρησιμοποιήσετε πάλι.** Η ανεπαρκής συντήρηση των ηλεκτρικών εργαλείων αποτελεί αιτία πολλών ατυχημάτων.
- f) **Διατηρείτε τα κοπτικά εργαλεία κοφτερά και καθαρά.** Τα κοπτικά εργαλεία που συντηρούνται με προσοχή μπορούν να οδηγηθούν εύκολα και να ελεγχθούν καλύτερα.
- g) **Χρησιμοποιείτε τα ηλεκτρικά εργαλεία, τα εξαρτήματα, τα χρησιμοποιήσιμα εργαλεία κτλ. σύμφωνα με τις παρούσες οδηγίες καθώς. Λαμβάνετε ταυτόχρονα υπόψη σας τις συνθήκες εργασίας και την υπό εκτέλεση εργασία.** Η χρήση του ηλεκτρικού εργαλείου για άλλες εκτός από τις προβλεπόμενες εργασίες μπορεί να δημιουργήσει επικίνδυνες καταστάσεις.

5) SERVICE

- a) **Δίνετε το ηλεκτρικό σας εργαλείο για επίσκεψη από άριστα ειδικευμένο προσωπικό, μόνο με γνήσια ανταλλακτικά.** Ετσι εξασφαλίζεται η διατήρηση της ασφάλειας του ηλεκτρικού εργαλείου.

ΥΠΟΔΕΙΞΙΣ ΑΣΦΑΛΕΙΑΣ ΓΙΑ ΓΩΝΙΑΚΟΥΣ ΤΡΟΧΟΥΣ

1) ΥΠΟΔΕΙΞΙΣ ΑΣΦΑΛΕΙΑΣ ΓΙΑ ΟΛΕΣ ΤΙΣ ΕΡΓΑΣΙΕΣ

- a) **Αυτό το ηλεκτρικό εργαλείο πρέπει να χρησιμοποιείται σαν λειαντήρας και λειαντήρας με σμυριδόχαρτο, για εργασίες με σφυριδόβουρτσα καθώς και σαν μηχάνημα κοπής. Να λαμβάνετε πάντοτε υπόψη σας όλες τις προειδοποιητικές υποδείξεις, τις οδηγίες, τις απεικονίσεις και τα στοιχεία που σας παραδίδονται μαζί με το ηλεκτρικό εργαλείο.** Η μη τήρηση των οδηγιών που ακολουθούν, μπορεί να οδηγήσει σε ηλεκτροπληξία, φωτιά και/ή σε σοβαρούς τραυματισμούς.
- b) **Αυτό το ηλεκτρικό εργαλείο δεν συστήνεται για λειτουργίες στίλβωσης.** Λειτουργίες για τις οποίες το ηλεκτρικό εργαλείο δεν έχει σχεδιαστεί μπορεί να δημιουργήσει κίνδυνο και να προκαλέσει τραυματισμό.
- c) **Μη χρησιμοποιήσετε ποτέ εξαρτήματα που δεν προβλέπονται και δεν προτάθηκαν από τον κατασκευαστή ειδικά γι' αυτό το ηλεκτρικό εργαλείο.** Η διαπίστωση ότι μπορείτε να στερεώσετε ένα εξάρτημα στο ηλεκτρικό εργαλείο σας δεν εγγυάται την ασφαλή χρήση του.
- d) **Ο μέγιστος επιτρεπτός αριθμός στροφών του εργαλείου που χρησιμοποιείτε πρέπει να είναι τουλάχιστον τόσο υψηλός όσο ο μέγιστος αριθμός στροφών που αναφέρεται επάνω στο ηλεκτρικό εργαλείο.** Εξαρτήματα που περιστρέφονται με ταχύτητα μεγαλύτερη από την επιτρεπτή μπορεί να καταστραφούν.
- e) **Η εξωτερική διάμετρος και το πάχος του εργαλείου που χρησιμοποιείτε πρέπει να ανταποκρίνονται πλήρως στις αντίστοιχες**

διαστάσεις του ηλεκτρικού εργαλείου σας.

Εργαλεία με εσφαλμένες διαστάσεις δεν μπορούν να καλυφθούν ή να ελεγχθούν επαρκώς.

- f) **Εργαλεία με βιωτική υποδοχή πρέπει να ταιριάζουν ακριβώς στο σπείρωμα του άξονα. Στα εργαλεία που συναρμολογούνται με τη βοήθεια φλάντζας πρέπει η διάμετρος της τρύπας του εργαλείου να ταιριάζει στη διάμετρο της υποδοχής της φλάντζας.** Εργαλεία που δεν μπορούν να στερεωθούν ακριβώς στο ηλεκτρικό εργαλείο περιστρέφονται ανομοιόμορφα, δονούνται ισχυρά και μπορεί να οδηγήσουν στην απώλεια του ελέγχου.
- g) **Μη χρησιμοποιείτε χαλασμένα εργαλεία. Να ελέγχετε πάντοτε τα εργαλεία που πρόκειται να χρησιμοποιήσετε, π. χ. τους δίσκους κοπής για σπασίματα και ρωγμές, τους δίσκους λείανσης για ρωγμές, φθορές ή ξεφτίσματα και τις συρματόβουρτσες για χαλαρά ή σπασμένα σύρματα.** Σε περίπτωση που το ηλεκτρικό εργαλείο ή κάποιο χρησιμοποιήσιμο εργαλείο πέσει κάτω, τότε ελέγξτε το εργαλείο μήπως έχει υποστεί κάποια βλάβη ή χρησιμοποιήστε ένα άλλο, άψογο εργαλείο. Μετά τον έλεγχο και την τοποθέτηση του εργαλείου που πρόκειται να χρησιμοποιήσετε πρέπει να απομακρύνετε τυχόν παρευρισκόμενα πρόσωπα από το επίπεδο περιστροφής του εργαλείου κι ακολούθως να αφήσετε το ηλεκτρικό εργαλείο να εργαστεί ένα λεπτό υπό το μέγιστο αριθμό στροφών χωρίς φορτίο. Τυχόν χαλασμένα εργαλεία σπάνε ως επί το πλείστον κατά τη διάρκεια αυτού του δοκιμαστικού χρόνου.
- h) **Χρησιμοποιείτε πάντοτε τη δική σας, ατομική προστατευτική ενδυμασία ④. Να χρησιμοποιείτε επίσης, ανάλογα με την εκάστοτε εργασία, προστατευτικές μάσκες, προστατευτικές διατάξεις ματιών ή προστατευτικά γυαλιά. Αν χρειαστεί, φορέστε και μάσκα προστασίας από τη σκόνη, ωτασπίδες, προστατευτικά γάντια ή μια ειδική προστατευτική ποδιά που θα σας προστατεύει από τυχόν εκσφενδονιζόμενα λειαντικά σωματίδια ή θραύσματα υλικού.** Τα μάτια πρέπει να προστατεύονται από τυχόν αιωρούμενα σωματίδια που μπορεί να δημιουργηθούν κατά την εκτέλεση των διάφορων εργασιών. Οι αναπνευστικές και οι προστατευτικές μάσκες πρέπει να φιλτράρουν τον αέρα και να συγκρατούν τη σκόνη που δημιουργείται κατά την εργασία. Σε περίπτωση που εκθεθείτε για πολύ χρόνο σε ισχυρό θόρυβο μπορεί να απολέσετε την ακοή σας.
- i) **Φροντίζετε, τυχόν παρευρισκόμενα άτομα να βρίσκονται πάντοτε σε ασφαλή απόσταση από τον τομέα που εργάζεσθε. Κάθε άτομο που παίζει στον τομέα που εργάζεσθε πρέπει να φορά προστατευτική ενδυμασία.** Θραύσματα του υπό καταργασία τεμαχίου ή σπασμένων εργαλείων μπορεί να εκσφενδονιστούν και να προκαλέσουν τραυματισμούς ακόμη κι εκτός του άμεσου τομέα εργασίας.
- j) **Να κρατάτε το ηλεκτρικό εργαλείο πάντοτε από τις μονωμένες επιφάνειες συγκράτησης όταν υπάρχει κίνδυνος το εργαλείο να έρθει σε επαφή με μη ορατούς ηλεκτροφόρους αγωγούς ή το ίδιο το καλώδιό του.** Η επαφή με έναν ηλεκτροφόρο αγωγό μπορεί να θέσει τα μεταλλικά μέρη του ηλεκτρικού εργαλείου επίσης υπό τάση και προκαλέσει έτσι ηλεκτροπληξία.
- k) **Να οδηγείτε το ηλεκτρικό καλώδιο σε ασφαλή απόσταση από τα περιστρεφόμενα εργαλεία.** Σε περίπτωση που χάσετε τον έλεγχο του ηλεκτρικού εργαλείου το ηλεκτρικό καλώδιο μπορεί να κοπεί ή να περιπλεχτεί και το χέρι σας ή το μπράτσο σας να τραβηχτεί επάνω στο περιστρεφόμενο εργαλείο.
- l) **Μην αποθέσετε ποτέ το ηλεκτρικό εργαλείο πριν το εργαλείο πάψει εντελώς να κινείται.** Το περιστρεφόμενο εργαλείο μπορεί να έρθει σε επαφή με την επιφάνεια στην οποία ακουμπήσατε το ηλεκτρικό εργαλείο κι έτσι να χάσετε τον έλεγχο του μηχανήματος.
- m) **Μην αφήσετε το ηλεκτρικό εργαλείο να εργάζεται όταν το μεταφέρετε.** Τα ρούχα σας μπορεί να τυλιχτούν τυχαίως από το περιστρεφόμενο εργαλείο και να τρυπήσει το κορμί σας.
- n) **Να καθαρίζετε τακτικά τις σχισμές αερισμού του ηλεκτρικού εργαλείου σας.** Ο ανεμιστήρας του κινητήρα τραβάει σκόνη μέσα στο περίβλημα και η συσσώρευση μεταλλικής σκόνης μπορεί να δημιουργήσει ηλεκτρικούς κινδύνους.
- o) **Μη χρησιμοποιείτε το ηλεκτρικό εργαλείο κοντά σε εύφλεκτα υλικά.** Ο σπινθηρισμός μπορεί να τα αναφλέξει.
- p) **Μη χρησιμοποιείτε εργαλεία που απαιτούν ψύξη με ψυκτικά υγρά.** Η χρήση νερού ή άλλων υγρών ψυκτικών μέσων μπορεί να οδηγήσει σε ηλεκτροπληξία.

2) ΚΛΟΤΣΗΜΑ ΚΑΙ ΣΧΕΤΙΚΕΣ ΠΡΟΕΙΔΟΠΟΙΗΤΙΚΕΣ ΥΠΟΔΕΙΞΙΣ

- Το κλότσημα είναι μια απροσδόκητη αντίδραση όταν το περιστρεφόμενο εργαλείο, π. χ. ο δίσκος κοπής, ο δίσκος λείανσης, η συρματόβουρτσα κτλ., προσκρούσει κάποιο [σκοντάψει] ή μπλοκάρει. Έτσι, ένα τυχόν μη υπό έλεγχο ευρισκόμενο ηλεκτρικό εργαλείο αντιδρά στο σημείο μπλοκαρίσματος/πρόσκρουσης με σφοδρότητα και περιστρέφεται με συνεχώς αυξανόμενη ταχύτητα με φορά αντίθετη εκείνης του εργαλείου.
- Όταν π. χ. ένας δίσκος κοπής σφηνωθεί ή μπλοκάρει μέσα στο υπό καταργασία υλικό, τότε η ακμή του δίσκου που βυθίζεται μέσα στο υλικό μπορεί να στρεβλώσει και ακολούθως ο δίσκος κοπής να βγει με ορμή και ανεξέλεγκτα από το υλικό ή να προκαλέσει κλότσημα. Όταν συμβεί αυτό ο δίσκος κοπής κινείται με κατεύθυνση προς το χειριστή/τη χειρίστρια ή και αντίθετα, ανάλογα με τη φορά περιστροφής στο σημείο μπλοκαρίσματος. Σε τέτοιες περιπτώσεις δεν αποκλείεται και το σπάσιμο των δίσκων κοπής.
- Το κλότσημα είναι το αποτέλεσμα ενός εσφαλμένου ή ελλιπούς χειρισμού του ηλεκτρικού εργαλείου και μπορεί να αποφευχθεί με λήψη κατάλληλων προληπτικών μέτρων, σαν αυτά που περιγράφονται παρακάτω.

a) **Να κρατάτε το ηλεκτρικό εργαλείο πάντοτε καλά και να παίρνετε με το σώμα σας μόνο θέσεις, στις οποίες θα μπορέσετε να αποκρούσετε επιτυχώς ένα ενδεχόμενο κλότσημα. Να χρησιμοποιείτε**

- πάντοτε την πρόσθετη λαβή, αν αυτή φυσικά υπάρχει, για να εξασφαλίσετε έτσι το μέγιστο δυνατό έλεγχο επί του ηλεκτρικού εργαλείου σε περίπτωση εμφάνισης ανάστροφων και αντήρπων δυνάμεων [Γ.1] κατά την εκκίνηση. Ο χειριστής/η χειρίστρια μπορεί να αντιμετωπίσει με επιτυχία τα κλοστήματα και τις ανάστροφες ροπές.
- b) **Μη βάζετε ποτέ τα χέρια σας κοντά στα περιστρεφόμενα εργαλεία.** Σε περίπτωση κλοστήματος το εργαλείο μπορεί να περάσει πάνω από το χέρι σας.
- c) **Μην παίρνετε με το σώμα σας θέσεις προς τις οποίες θα κινηθεί το ηλεκτρικό εργαλείο σε περίπτωση κλοστήματος.** Κατά το κλόστημα το ηλεκτρικό εργαλείο κινείται ανεξέλεγκτα με κατεύθυνση αντίθετη προς τη φορά περιστροφής του λειαντικού εργαλείου.
- d) **Να εργάζεστε με ιδιαίτερη προσοχή σε γωνίες, κοφτερές ακμές κτλ.** Φροντίζετε το λειαντικό εργαλείο να μην ανατιναχτεί από το υπό κατεργασία υλικό και να μη σφηνώσει σε αυτό. Το περιστρεφόμενο λειαντικό εργαλείο σφηνώνει εύκολα κατά την εργασία σε γωνίες και κοφτερές ακμές, ή όταν ανατινάζεται. Αυτό προκαλεί κλόστημα ή απώλεια του ελέγχου.
- e) **Να μην χρησιμοποιείτε τσαπραζωμένες ή οδοντωτές πριονόλαμες.** Τα εργαλεία αυτά προκαλούν συχνά κλόστημα ή οδηγούν σε απώλεια του ελέγχου του ηλεκτρικού εργαλείου.
- 3) ΠΡΟΕΙΔΟΠΟΙΗΣΕΙΣ ΑΣΦΑΛΕΙΑΣ ΙΔΙΑΙΤΕΡΑ ΓΙΑ ΤΡΟΧΙΣΜΑ ΚΑΙ ΚΟΠΗ ΜΕ ΤΡΟΧΟ**
- a) **Να χρησιμοποιείτε αποκλειστικά λειαντικά σώματα που είναι εγκριμένα για το ηλεκτρικό εργαλείο σας και μόνο προφυλακτères που προβλέπονται για αυτά τα λειαντικά σώματα.** Λειαντικά σώματα που δεν προβλέπονται για το ηλεκτρικό εργαλείο δεν μπορούν να καλυφτούν επαρκώς και για αυτό είναι ανασφαλής.
- b) **Κυρτοί δίσκοι λείανσης πρέπει να συναρμολογούνται κατά τέτοιο τρόπο, ώστε η επιφάνεια λείανσης να καλύπτεται από τον προφυλακτήρα.** Αντικανονικά συναρμολογημένοι δίσκοι λείανσης, των οποίων η επιφάνεια λείανσης δεν καλύπτεται από τον προφυλακτήρα, δεν μπορούν να θωρακιστούν επαρκώς.
- c) **Ο προφυλακτères πρέπει να είναι ασφαλώς στερεωμένος στο ηλεκτρικό εργαλείο και να είναι ρυθμισμένος κατά τέτοιο τρόπο, ώστε έτσι να επιτυγχάνεται η μέγιστη δυνατή ασφάλεια, δηλαδή το τμήμα του λειαντικού σώματος που δείχνει προς το χειριστή/τη χειρίστρια να είναι όσο το δυνατό πιο μικρό.** Ο προφυλακτères προστατεύει το χειριστή/τη χειρίστρια από τυχόν θραύσματα, αβέλητη επαφή με το λειαντικό σώμα και από σπινθήρες που μπορεί να προκαλέσουν ανάφλεξη των ρούχων.
- d) **Τα λειαντικά σώματα πρέπει να χρησιμοποιούνται μόνο για τις εργασίες που αυτά προβλέπονται. Π.χ.:** Μην λειάνετε ποτέ με την πλευρική επιφάνεια ενός δίσκου κοπής. Οι δίσκοι κοπής προορίζονται για αφαίρεση υλικού μόνο με την ακμή τους. Αυτά τα λειαντικά σώματα μπορεί να σπάσουν όταν υποστούν πίεση από πλάγια.
- e) **Να χρησιμοποιείτε πάντοτε άφογες φλάντζες σύσφιξης με το σωστό μέγεθος και τη σωστή μορφή, ανάλογα με το δίσκο λείανσης που επιλέξατε.** Η κατάλληλη φλάντζα στηρίζει το δίσκο λείανσης και μειώνει έτσι τον κίνδυνο του σπασίματος του. Οι φλάντζες για δίσκους κοπής μπορεί να διαφέρουν από τις φλάντζες για άλλους δίσκους λείανσης.
- f) **Να μη χρησιμοποιείτε μεταχειρισμένους δίσκους λείανσης από μεγαλύτερα ηλεκτρικά εργαλεία.** Δίσκοι λείανσης για μεγαλύτερα ηλεκτρικά εργαλεία δεν είναι διαστασιοποιημένοι για τους υψηλότερους αριθμούς στροφών των μικρότερων ηλεκτρικών εργαλείων και για αυτό μπορεί να σπάσουν.
- 4) ΣΥΜΠΛΗΡΩΜΑΤΙΚΕΣ ΠΡΟΕΙΔΟΠΟΙΗΤΙΚΕΣ ΥΠΟΔΕΙΞΕΙΣ ΓΙΑ ΔΙΣΚΟΥΣ ΚΟΠΗΣ**
- a) **Να αποφεύγετε το μπλοκάρισμα των δίσκων κοπής και τη άσκηση πολύ υψηλής πίεσης. Να μη διεξάγετε τομές υπερβολικού βάθους.** Η υπερβολική επιβάρυνση του δίσκου κοπής αυξάνει τη μηχανική παραμόρφωσή του και τον κίνδυνο στρέβλωσης ή μπλοκαρίσματος κι έτσι και τις πιθανότητες κλοστήματος ή σπασίματος του λειαντικού σώματος.
- b) **Να αποφεύγετε την περιοχή μπροστά και πίσω από τον περιστρεφόμενο δίσκο κοπής.** Όταν σπώχνετε το δίσκο κοπής προς τα εμπρός μέσα στο υπό κατεργασία τεμάχιο τότε, σε περίπτωση κλοστήματος, το ηλεκτρικό εργαλείο με τον περιστρεφόμενο δίσκο μπορεί να εκσφενδονιστεί κατευθείαν επάνω σας.
- c) **Όταν ο δίσκος κοπής μπλοκάρει ή όταν διακόπτετε την εργασία σας πρέπει να θέτετε το ηλεκτρικό εργαλείο εκτός λειτουργίας και ακολούθως να το κρατάτε ήρεμα μέχρι ο δίσκος κοπής να σταματήσει εντελώς να κινείται. Μην προσπαθήσετε ποτέ να βγάλετε το δίσκο κοπής από το υλικό όταν αυτός κινείται ακόμη, διαφορετικά υπάρχει κίνδυνος κλοστήματος.** Εξακριβώστε κι εξουδετερώστε την αιτία του μπλοκαρίσματος.
- d) **Μη θέσετε το ηλεκτρικό εργαλείο πάλι σε λειτουργία όσο ο δίσκος κοπής βρίσκεται ακόμη μέσα στο υπό κατεργασία τεμάχιο. Αφήστε το δίσκο κοπής να αποκτήσει το μέγιστο αριθμό στροφών πριν συνεχίσετε προσεκτικά την κοπή.** Διαφορετικά ο δίσκος μπορεί να σφηνώσει, να πεταχτεί με ορμή έξω από το υπό κατεργασία υλικό ή να προκαλέσει κλόστημα.
- e) **Πλάκες, ή άλλα μεγάλα υπό κατεργασία τεμάχια, πρέπει να υποστηρίζονται για να ελαττωθεί ο κίνδυνος κλοστήματος από έναν τυχόν μπλοκαρισμένο δίσκο κοπής.** Μεγάλα υπό κατεργασία τεμάχια μπορεί να λυγίσουν κάτω από το ίδιο τους το βάρος. Το υπό κατεργασία τεμάχιο πρέπει να υποστηριχθεί και στις δυο πλευρές του, και κοντά στην τομή κοπής και στην ακμή του.
- f) **Να είστε ιδιαίτερα προσεκτικοί/προσεκτικές όταν διεξάγετε «κοπές βυθίσματος» σε τοίχους ή άλλους μη εποπτευόμενους τομείς.** Ο βυθιζόμενος δίσκος κοπής μπορεί να κόψει σωληνές φυατερίου

[γκραζιού] ή νερού, ηλεκτρικές γραμμές ή αντικείμενα που μπορεί να προκαλέσουν κλότσημα.

5) ΙΔΙΑΙΤΕΡΕΣ ΠΡΟΕΙΔΟΠΟΙΗΤΙΚΕΣ ΥΠΟΔΕΙΞΙΣ ΓΙΑ ΕΡΓΑΣΙΕΣ ΛΕΙΑΝΣΗΣ ΜΕ ΣΜΥΡΙΔΟΧΑΡΤΟ

a) **Μη χρησιμοποιείτε υπερμεγέθη σμυριδόφυλλα αλλά τηρείτε τις συστάσεις του κατασκευαστή για το μέγεθος των σμυριδόφυλλων.** Σμυριδόφυλλα που προσέρχουν από το δίσκο λείανσης μπορεί να προκαλέσουν τραυματισμούς, να οδηγήσουν σε μπλοκάρισμα, να σχιστούν, ή να προκαλέσουν κλότσημα.

6) ΙΔΙΑΙΤΕΡΕΣ ΠΡΟΕΙΔΟΠΟΙΗΤΙΚΕΣ ΥΠΟΔΕΙΞΙΣ ΓΙΑ ΕΡΓΑΣΙΕΣ ΜΕ ΣΥΡΜΑΤΟΒΟΥΡΤΣΕΣ

a) **Να λαμβάνετε πάντοτε υπόψη σας ότι οι συρματόβουρτσες χάνουν σύρματα κατά τη διάρκεια της κανονικής τους χρήσης. Να μην ασκείτε υπερβολική πίεση για να μην επιβαρύνονται υπερβολικά τα σύρματα.** Τυχόν εκσφενδονιζόμενα τεμάχια σύρματος μπορεί να διατρηθούν όχι μόνο τυχόν λεπτά ρούχα αλλά και το δέρμα σας.

b) **Όταν προτίεσαι η χρήση προφυλακτήρα πρέπει να φροντίσετε, τα σύρματα της συρματόβουρτσας να μην εγγιζουν τον προφυλακτήρα.** Η διάμετρος των δισκοειδών και ποτηροειδών βουρτσών μπορεί να μεγαλώσει εξαιτίας της ασκουμένης πίεσης και της ανάπτυξης κεντρόφυγων δυνάμεων.

ΓΕΝΙΚΑ

- Αυτό το εργαλείο δεν είναι κατάλληλο για τρόχισμα/κοπή με νερό
- Να χρησιμοποιείτε μόνο τις φλάντζες που παραδίδονται με το εργαλείο
- Αυτό το εργαλείο δεν πρέπει να χρησιμοποιείται από άτομα κάτω των 16 ετών
- **Πάντα να απουσδέεται την πρίζα από το ηλεκτρικό δίκτυο πριν κάνετε κάποια ρύθμιση ή αλλάξετε εξάρτημα**

ΕΞΑΡΤΗΜΑΤΑ

- Η SKIL εγγυάται την τέλεια λειτουργία του εργαλείου μόνο όταν χρησιμοποιούνται αυθεντικά εξάρτηματα
- **Να χρησιμοποιείτε μόνο δίσκους τροχίσματος/κοπής με μέγιστο πάχος 8 mm και διάμετρο τρύπας άξονα 22 mm**
- Για τη συναρμολόγηση/χρήση εξαρτημάτων άλλου εργοστασίου, ακολουθήστε τις οδηγίες του σχετικού κατασκευαστή
- Ποτέ μην χρησιμοποιείτε μειωτήρες ή προσαρμογείς για να προσαρμόσετε δίσκους τροχίσματος/κοπής μεγαλύτερης διαμέτρου οπής
- Ποτέ μην χρησιμοποιείτε εξάρτηματα με “τυφλή” οπή με σπείρωμα, μικρότερη από M14 x 21 χλστ

ΥΠΑΙΘΡΙΑ ΧΡΗΣΗ

- Συνδέστε το εργαλείο στο ρεύμα χρησιμοποιώντας έναν διακόπτη ασφαλείας με όριο ενεργοποίησης 30 mA

ΠΡΙΝ ΑΠΟ ΤΗ ΧΡΗΣΗ

- Πριν χρησιμοποιήσετε το εργαλείο για πρώτη φορά, σας συνιστούμε να λάβετε πρακτικές πληροφορίες
- Βεβαιωθείτε ότι η τάση που παρεχόμενου ρεύματος είναι ίδια με την τάση που υποδεικνύεται στην πινακίδα δεδομένων του εργαλείου (εργαλεία που φέρουν την

ένδειξη 230V ή 240V μπορούν να συνδεθούν επίσης σε πρίζα 220V)

- Θα πρέπει πάντοτε να τοποθετείτε την πλευρική λαβή (2) και τον προφυλακτήρα F (2) - ποτέ μην χρησιμοποιείτε το εργαλείο χωρίς αυτά τα εξαρτήματα
 - **Χρησιμοποιήστε κατάλληλες ανιχνευτικές συσκευές για να εντοπίσετε τυχόν αφανείς σφροδοτικές γραμμές ή συμπελυτευτές σχετικά τις επιχειρήσεις παροχής ενέργειας** (επαφή με ηλεκτρικές γραμμές μπορεί να οδηγήσει σε πυρκαϊά ή σε ηλεκτροπληξία - βλάβες σε αγωγούς φωταερίου (γκαζιού) μπορεί να οδηγήσουν σε έκρηξη - η διείσδυση σ' ένα σωλήνα νερού προκαλεί υλικές ζημιές ή μπορεί να προκαλέσει ηλεκτροπληξία)
 - **Μην κατεργάζεστε υλικά που περιέχουν αμιάντο** (το αμιάντο θεωρείται σαν καρκινογόνο υλικό)
 - Η σκόνη από υλικά όπως μπιτσιές που περιέχουν μόλυβδο, ορισμένα είδη ξύλου, ανόργανα στοιχεία και μέταλλα μπορεί να είναι επιβλαβής (η επαφή ή η εισπνοή της σκόνης μπορεί να προκαλέσει αλλεργικές αντιδράσεις ή/και αναπνευστικές ασθένειες στον χειριστή ή σε άτομα που παρίστανται) - **να φοράτε προσωπίδα προστασίας από τη σκόνη και να εργάζεστε με συσκευή αφαίρεσης σκόνης όταν είναι δυνατό**
 - Ορισμένα είδη σκόνης ταξινομούνται ως καρκινογόνα (όπως η σκόνη από τη δρυ ή την οξιά) ιδιαίτερα σε συνδυασμό με πρόσθετα συντήρησης ξύλου - **να φοράτε προσωπίδα προστασίας από τη σκόνη και να εργάζεστε με συσκευή αφαίρεσης σκόνης όταν είναι δυνατό**
 - Ακολουθήστε τις σχετικές με σκόνη εθνικές διατάξεις για τα υλικά που θέλετε να εργαστείτε
 - Θα πρέπει να είστε προσεκτικοί όταν κάντε εγχοπές, ιδιαίτερα σε φέροντες τοίχους (για τις εγχοπές σε φέροντες τοίχους ισχύουν κανονισμοί που διαφέρουν από χώρα σε χώρα - οι ισχύοντες κανονισμοί θα πρέπει οπωσδήποτε να τηρούνται αυστηρώς)
 - **Στερεώστε το κομμάτι εργασίας** (το κομμάτι εργασίας συγκρατείται καλύτερα με σφιγκτήρες ή σε μέγγενη παρά με το χέρι)
 - Μην σφίγγετε το εργαλείο σε μέγγενη
 - Χρησιμοποιείτε ασφαλείς, τελείως ξετυλιγμένες προεκτάσεις καλωδίου με χωρητικότητα 16 Amps
- #### ΚΑΤΑ ΤΗ ΧΡΗΣΗ
- Σε περίπτωση που υποστεί βλάβη ή κοπεί το καλώδιο κατά την εργασία, μην αγγίζετε το καλώδιο, αλλά αποσυνδέστε αμέσως το φις από την πρίζα
 - Ποτέ μη χρησιμοποιείτε το εργαλείο όταν έχει υποστεί βλάβη το καλώδιο - το καλώδιο θα πρέπει να αντικατασταθεί από έναν εξειδικευμένο τεχνίτη
 - Σε περίπτωση ηλεκτρικής ή μηχανικής δυσλειτουργίας, σταματήστε αμέσως το εργαλείο και βγάλτε το από την πρίζα
 - Σε περίπτωση που διακοπεί το ρεύμα ή βγει το φις από την πρίζα, απασφαλίστε αμέσως τον διακόπτη H (2) για να αποφύγετε την ακούσια επανενεργοποίηση του εργαλείου
- #### ΜΕΤΑ ΤΗ ΧΡΗΣΗ
- Μετά το σβήσιμο του εργαλείου, μην σταματάτε την περιστροφή του εξαρτήματος εφαρμόζοντας πλάγια δύναμη σ' αυτό

ΧΡΗΣΗ

- Τοποθέτηση εξαρτημάτων ②
 - ! **βγάλτε το φικ από την πρίζα**
 - καθαρίστε την άτρακτο Α και όλα τα εξαρτήματα που πρόκειται να συναρμολογηθούν
 - σφίξτε τη φλάντζα σύσφιξης Β χρησιμοποιώντας το κλειδί C, πιέζοντας ταυτόχρονα το κουμπί ασφάλισης της ατράκτου D
 - ! **πιέστε το κουμπί ασφάλισης της ατράκτου D μόνο όταν είναι σταματημένη η άτρακτος Α**
 - για την αφαίρεση των εξαρτημάτων, εργαστείτε στην αντίστροφη σειρά
 - ! **οι δίσκοι τροχίσματος/κοπής ζεσταίνονται πάρα πολύ κατά τη χρήση, γι' αυτό μην τους αγγίζετε μέχρι να κρυώσουν**
 - ! **τοποθετείτε πάντα τον δίσκο συγκράτησης όταν χρησιμοποιείτε εξαρτήματα λείανσης**
 - ! **ποτέ μην χρησιμοποιείτε τον δίσκο τροχίσματος/κοπής χωρίς την ετικέτα η οποία είναι κολλημένη στον δίσκο (αν αυτή φυσικά υπάρχει)**
- Τοποθέτηση της πλευρικής λαβής E ⑥
 - ! **βγάλτε το φικ από την πρίζα**
 - βιδώστε την πλευρική λαβή E στη δεξιά, επάνω ή την αριστερή πλευρά του εργαλείου (ανάλογα με την εργασία που έχετε να κάνετε)
- Αφαίρεση/τοποθέτηση/ρυθμίσιο του προφυλακτήρα F ⑦
 - ! **βγάλτε το φικ από την πρίζα**
 - ! **η κλειστή πλευρά του προφυλακτήρα θα πρέπει να είναι πάντοτε στραμμένη προς τον χειριστή του εργαλείου**
- Προτού χρησιμοποιήσετε το εργαλείο
 - βεβαιωθείτε ότι το εξάρτημα έχει τοποθετηθεί σωστά και έχει σφικτεί στη θέση του
 - ελέγξτε ότι το εξάρτημα λειτουργεί ανεμπόδιστα περιστρέφοντάς το με το χέρι
 - δοκιμάστε το εργαλείο τουλάχιστον για 30 δευτερόλεπτα δουλεύοντάς το στη μέγιστη ταχύτητα χωρίς φορτίο, από ασφαλή θέση
 - σταματήστε αμέσως το εργαλείο σε περίπτωση σοβαρής δόνησης ή αλλαγής ελαττωματικής λειτουργίας και ελέγξτε το για να εξακριβωθεί η αιτία
- Διακόπτης ασφαλείας ξεκίνησης/σταμάτημα H ⑧
 - ξεκινάει το εργαλείο ③a
 - ! **να προσέχετε την απότομη κίνηση που κάνει το εργαλείο ξεκινώντας**
 - ! **προτού το εξάρτημα καταργασίας φθάσει το καταργαζόμενο κομμάτι, το εργαλείο πρέπει να λειτουργεί με πλήρη ταχύτητα**
 - ασφαλίστε το διακόπτη ③b
 - απασφάλισή του διακόπτη/σταματήστε το εργαλείο ③c
 - ! **προτού σταματήσετε το εργαλείο πρέπει να το αναστήσετε από το καταργαζόμενο κομμάτι**
 - ! **το εξάρτημα συνεχίζει να περιστρέφεται για σύντομο χρονικό διάστημα μετά τη διακοπή λειτουργίας του εργαλείου**
- Τρόχισμα ⑨
 - κινήστε το εργαλείο πίσω-μπρος ασκώντας μέτρια πίεση
 - ! **ποτέ μην χρησιμοποιείτε δίσκο κοπής για πλάγιο τρόχισμα**

- Κοπή ⑩
 - όταν κόβετε μη γέρνετε το εργαλείο
 - το εργαλείο θα πρέπει να κινείται προς την κατεύθυνση που δείχνει το βέλος στην κεφαλή του εργαλείου, για να μην χάσετε τον έλεγχο του εργαλείου με αποτέλεσμα να βγει το εργαλείο έξω από την εγκοπή
 - μην ασκείτε πίεση στο εργαλείο, αφήστε την ταχύτητα του δίσκου κοπής να κάνει τη δουλειά για σας
 - η ταχύτητα εργασίας του δίσκου κοπής εξαρτάται από το υλικό που κόβετε
 - μην προσπαθείτε να σταματήσετε τον δίσκο κοπής ασκώντας πλάγια πίεση
- Πώς να κρατάτε και να οδηγείτε το εργαλείο
 - κρατάτε το εργαλείο σφιχτά και σταθερά με τα δύο σας χέρια, ώστε να έχετε τον πλήρη έλεγχο του εργαλείου ανά πάσα στιγμή
 - ! **ενώ εργάζεστε, να κρατάτε πάντα το εργαλείο από τη/τις λαβή/ές με γκρι χρώμα ⑪**
 - φροντίστε ώστε να στέκεστε σταθερά
 - προσέξτε την κατεύθυνση περιστροφής: κρατάτε πάντοτε το εργαλείο με τέτοιο τρόπο, ώστε οι σπινθήρες και η σκόνη τροχίσματος/κοπής να εκτοξεύονται μακριά από το σώμα σας
 - κρατάτε τις σχισμές αερισμού J ⑫ ακάλυπτες

ΟΔΗΓΙΕΣ ΕΦΑΡΜΟΓΗΣ

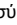
- Αντί της φλάντζας Β ⑫, μπορείτε να χρησιμοποιήσετε το περιόχλιο ταχυσύσφιξης "CLIC" (εξάρτημα SKIL 2610388766) - στην περίπτωση αυτή, οι δίσκοι τροχίσματος/κοπής μοντάρονται χωρίς τη βοήθεια κλειδιών
- Για περισσότερες συμβουλές δείτε www.skil.com

ΣΥΝΤΗΡΗΣΗ / ΣΕΡΒΙΣ

- Αυτό το εργαλείο δεν προορίζεται για επαγγελματική χρήση
- Κρατάτε πάντοτε το εργαλείο και το καλώδιο καθαρά (και ιδιαίτερα τις θυρίδες αερισμού J ⑫)
- ! **μην επιχειρήσετε καθαρισμό βάζοντας αιχμηρά αντικείμενα μέσα στις σχισμές αερισμού**
- ! **αφαιρέστε την πρίζα πριν το καθαρίσετε**
- Αν παρ' όλες τις επιμελημένες μεθόδους κατασκευής και ελέγχου το εργαλείο σταματήσει κάποτε να λειτουργεί, τότε η επισκευή του πρέπει να αναθεθεί σ' ένα εξουσιοδοτημένο συνεργείο για ηλεκτρικά εργαλεία της SKIL
- στείλτε το εργαλείο χωρίς να το αποσυναρμολογήσετε μαζί με την απόδειξη αγοράς στο κατάστημα από το οποίο το αγοράσατε ή στον πλησιέστερο σταθμό τεχνικής εξυπηρέτησης της SKIL (θα βρείτε τις διευθύνσεις και το διάγραμμα συντήρησης του εργαλείου στην ιστοσελίδα www.skil.com)

ΠΕΡΙΒΑΛΛΟΝ

- Μην πετάτε τα ηλεκτρικά εργαλεία, εξαρτήματα και συσκευασία στον κάδο οικιακών απορριμμάτων (μόνο για τις χώρες της ΕΕ)

- σύμφωνα με την ευρωπαϊκή οδηγία 2002/96/EK περί ηλεκτρικών και ηλεκτρονικών συσκευών και την ενσωμάτωσή της στο εθνικό δίκαιο, τα ηλεκτρικά εργαλεία πρέπει να συλλέγονται ξεχωριστά και να επιστρέφονται για ανακύκλωση με τρόπο φιλικό προς το περιβάλλον
- το σύμβολο  θα σας το θυμίσει αυτό όταν έλθει η ώρα να πετάξετε τις

ΔΗΛΩΣΗ ΣΥΜΜΟΡΦΩΣΗΣ CE

- Δηλώνουμε υπευθύνως ότι το προϊόν που περιγράφεται στα "Τεχνικά χαρακτηριστικά" εκπληρώνει τους εξής κανονισμούς ή κατασκευαστικές συστάσεις: EN 60745, EN 61000, EN 55014 σύμφωνα με τις διατάξεις των οδηγιών 2004/108/EK, 2006/42/EK, 2011/65/EE
- **Τεχνικός φάκελος από:** SKIL Europe BV (PT-SEU/ENG1), 4825 BD Breda, NL

Marijn van der Hoofden
Operations & Engineering

Olaf Dijkgraaf
Approval Manager




SKIL Europe BV, 4825 BD Breda, NL

05.08.2013

ΘΟΡΥΒΟ/ΚΡΑΔΑΣΜΟΥΣ

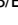
- Μετρημένη σύμφωνα με EN 60745 η στάθμη ακουστικής πίεσης αυτού του εργαλείου ανέρχεται σε 90 dB(A) και η στάθμη ηχητικής ισχύος σε 101 dB(A) (κοινή απόκλιση: 3 dB), και ο κραδασμός σε * m/s² (μεθοδος χειρός/βραχίονα - ανασφάλεια K = 1,5 m/s²)
 - * κατά τα τρόχισμα μια επιφάνεια 8,1 m/s²
 - * κατά τη λείανση 6,2 m/s²
- ! άλλες εφαρμογές (όπως κοπή ή εργασίες με σαρματοβουρτσες) μπορεί να έχουν διαφορετικές τιμές κραδασμών
- Το επίπεδο παραγωγής κραδασμών έχει μετρηθεί σύμφωνα με μια τυποποιημένη δοκιμή που αναφέρεται στο πρότυπο EN 60745 - μπορεί να χρησιμοποιηθεί για τη σύγκριση ενός εργαλείου με ένα άλλο, καθώς και ως προκαταρκτική αξιολόγηση της έκθεσης στους κραδασμούς όταν το εργαλείο χρησιμοποιείται για τις εφαρμογές που αναφέρονται
 - η χρήση του εργαλείου για διαφορετικές εφαρμογές ή με διαφορετικά ή κακοσυντηρημένα εξαρτήματα μπορεί να αυξήσει σημαντικά το επίπεδο έκθεσης
 - όταν το εργαλείο είναι απενεργοποιημένο ή δουλεύει αλλά δεν εκτελεί την εργασία, το επίπεδο έκθεσης μπορεί να μειωθεί σημαντικά
- ! **προστατευτείτε από τις επιδράσεις των κραδασμών συντηρώντας σωστά το εργαλείο και τα εξαρτήματά του, διατηρώντας τα χέρια σας ζεστά και οργανώνοντας τον τρόπο εργασίας σας**

RO

Polizor unghiular

9176

INTRODUCERE

- Această sculă este destinată șlefuirii, tăierii și debavurării materialelor metalice și a pietrei fără a folosi apă; cu accesoriile corespunzătoare, sculă poate fi folosită și la periere și sablare
- Această sculă nu este destinată utilizării profesionale
- **Operațiunile de tăiere cu roțile abrasive sunt premise doar atunci când se folosește un dispozitiv de protecție împotriva tăierii (disponibil ca accesoriu opțional SKIL 2610399439)**
- Citiți și păstrați acest manual de instrucțiuni 


DATE TEHNICE

ELEMENTELE SCULEI

- A Axul
- B Flanșă de prindere
- C Cheie pentru piulițe
- D Buton de blocare a axului
- E Mâner auxiliar
- F Dispozitiv de protecție
- G Flanșă de montare
- H Întrerupător cu blocare pornit/oprit
- J Fantele de ventilație

SIGURANȚA

INSTRUCȚIUNI DE SIGURANȚĂ GENERALE

 **ATENȚIE!** Citiți toate indicațiile de avertizare și instrucțiunile. Nerespectarea indicațiilor de avertizare și a instrucțiunilor poate provoca electrocutare, incendii și/sau răni grave. **Păstrați toate indicațiile de avertizare și instrucțiunile în vederea utilizărilor viitoare.** Termenul de "sculă electrică" folosit în indicațiile de avertizare se referă la sculele electrice alimentate de la rețea (cu cablu de alimentare) și la sculele electrice cu acumulator (fără cablu de alimentare).

1) SIGURANȚA LA LOCUL DE MUNCĂ

- a) **Păstrați-vă locul de muncă curat și bine iluminat.**
Dezordinea la locul de muncă sau existența unor sectoare de lucru neiluminate poate duce la accidente.
- b) **Nu folosiți mașina în medii cu pericol de explozie, acolo unde există lichide, gaze sau pulberi inflamabile.** Sculele electrice pot produce scântei care să aprindă pulberile sau vaporii.
- c) **Nu permiteți accesul copiilor și al altor persoane în timpul lucrului cu mașina.** Dacă vi se distrage atenția puteți pierde controlul asupra mașinii.

2) SECURITATE ELECTRICALĂ

- a) **Ștecherul de racordare a mașinii trebuie să se potrivească cu priza de alimentare. Nu este permisă în nici-un caz modificarea ștecherului. Nu folosiți adaptoare pentru ștechere la mașinile legate la pământ.** Ștecherele neificate și prizele de curent adecvate acestora reduc riscul de electrocutare.

- b) **Evitați contactul corporal cu suprafețe legate la pământ ca țevi, radiatoare, plite electrice și frigider.** Există un risc crescut de electrocutare atunci când corpul dv. este și el legat la pământ.
 - c) **Nu lăsați mașina afară în ploaie sau în mediu umed.** Riscul de electrocutare crește atunci când într-o sculă electrică pătrunde apă.
 - d) **Nu trageți niciodată mașina de cordonul de alimentare pentru a o transporta, a o atârna sau a scoate ștecherul din priza de curent. Feriți cordonul de alimentare de căldură, ulei, muchi ascuțiți sau de subsansamble aflate în mișcare.** Un cordon de alimentare deteriorat sau înfășurat mărește riscul de electrocutare.
 - e) **Atunci când lucrați cu scula electrică în aer liber, folosiți numai cordoane prelungitoare autorizate pentru exterior.** Întrebuințarea unui cordon prelungitor adecvat utilizării în aer liber reduce riscul de electrocutare.
 - f) **Atunci când nu poate fi evitată utilizarea sculei electrice în mediu umed, folosiți un întrerupător de circuit cu împământare.** Folosirea unei întrerupător de circuit cu împământare reduce riscul de electrocutare.
- 3) SECURITATEA PERSOANELOR**
- a) **Fiți vigilenți, fiți atenți la ceea ce faceți și procedați rațional atunci când lucrați cu scula electrică. Nu folosiți mașina dacă sunteți oboșiți sau vă aflați sub influența drogurilor, alcoolului sau a medicamentelor.** Un moment de neatenție în timpul lucrului cu mașina poate duce la răni grave.
 - b) **Purtați echipament de protecție personală și întotdeauna ochelari de protecție.** Folosirea echipamentelor de protecție a persoanei ca mască de protecție împotriva prafului, încălțăminte antiderapantă, cască de protecție sau aparat de protecție auditivă, în funcție de tipul și domeniul de folosire al sculei electrice, reduce riscul rănilor.
 - c) **Evitați o punere în funcțiune involuntară. Înainte de a introduce ștecherul în priză și/sau de a introduce acumulatorul în scula electrică, de a o ridica sau de a o transporta, asigurați vă că aceasta este oprită.** Dacă atunci când transportați scula electrică țineți degetul pe întrerupător sau dacă porniți scula electrică înainte de a o racorda la rețeaua de curent, puteți provoca accidente.
 - d) **Înainte de a pune mașina în funcțiune scoateți afară cheile reglabile și fixe.** O cheie reglabilă sau fixă, aflată într-o componentă de mașină care se rotește, poate provoca răni.
 - e) **Nu vă supraapreciați. Asigurați-vă o poziție stabilă și păstrați-vă întotdeauna echilibrul.** Astfel veți putea controla mai bine mașina în situații neașteptate.
 - f) **Purtați îmbrăcăminte de lucru adecvată. Nu purtați haine largi sau podoabe. Țineți părul, îmbrăcăminte și mânușile departe de componente aflate în mișcare.** Îmbrăcăminte largă, podoabe și părul lung pot fi prinse de piesele aflate în mișcare.
 - g) **Dacă există posibilitatea montării de echipamente și instalații de aspirare și colectare a prafului, asigurați-vă că acestea sunt conectate și folosite corect.** Folosirea unei instalații de aspirare a prafului poate duce la reducerea poluării cu praf.

4) MANEVRAȚI ȘI FOLOȘIȚI CU GRIJĂ SCULELE ELECTRICE

- a) **Nu suprasolicitați mașina. Folosiți scula electrică destinată executării lucrării dumneavoastră.** Cu scula electrică potrivită lucrați mai bine și mai sigur în domeniul de putere specificat.
 - b) **Nu folosiți scula electrică dacă are întrerupătorul defect.** O sculă electrică, care nu mai poate fi pornită sau oprită este periculoasă și trebuie reparată.
 - c) **Scoateți ștecherul afară din priză și/sau îndepărtați acumulatorul, înainte de a executa reglaje, a schimba accesoriul sau de a pune mașina la o parte.** Această măsură preventivă reduce riscul unei porniri involuntare a mașinii.
 - d) **În caz de nefolosire păstrați mașinile la loc inaccesibil copiilor. Nu permiteți persoanelor care nu sunt familiarizate cu mașina sau care n-au citit prezentele instrucțiuni, să folosească mașina.** Sculele electrice sunt periculoase atunci când sunt folosite de persoane fără experiență.
 - e) **Întrețineți-vă cu grijă mașina. Controlați dacă componentele mobile funcționează corect și dacă nu se blochează, dacă nu există piese defecte sau deteriorate, care să afecteze funcționarea mașinii. Înainte de a repune în funcțiune mașina, duceți-o la un atelier de asistență service pentru repararea sau înlocuirea pieselor deteriorate.** Multe accidente s-au datorat întreținerii defectuoase a sculelor electrice.
 - f) **Păstrați accesoriile bine ascuțite și curate.** Accesoriile atent întreținute, cu muchi tăietoare bine ascuțite se blochează mai greu și pot fi conduse mai ușor.
 - g) **Folosiți sculele electrice, accesoriile, dispozitivele de lucru etc. conform prezentelor instrucțiuni. Țineți seama de condițiile de lucru și de lucrarea care trebuie executată.** Întrebuințarea unor scule electrice destinate altor utilizări decât cele preconizate, poate duce la situații periculoase.
- 5) SERVICE**
- a) **Permiteți repararea mașinii dumneavoastră numai de către un specialist calificat și numai cu piese de schimb originale.** În acest mod este garantată menținerea siguranței de exploatare a mașinii.

INSTRUCȚIUNI DE SIGURANȚĂ PENTRU POLIZOARE UNGHIULARE

1) INSTRUCȚIUNI DE PROTECȚIE PENTRU TOATE TIPURILE DE UTILIZĂRI

- a) **Această sculă electrică se va folosi ca polizor, perie de sârmă și mașină specială de retezat cu disc abraziv.** Respectați toate avertismentele, instrucțiunile, reprezentările și datele primite împreună cu scula electrică. În cazul în care nu veți respecta următoarele instrucțiuni, se poate ajunge la electrocutare, incendii și/sau răni grave.
- b) **Această mașină electrică nu este recomandată pentru operațiuni de lustruire.** Operațiunile pentru care această mașină electrică nu a fost proiectată pot implica pericole și cauza accidente.
- c) **Nu folosiți accesoriul care nu au fost prevăzute și recomandate în mod special de către producător pentru această sculă electrică.** Faptul în sine că

- accesoriul respectiv poate fi montat pe scula dumneavoastră electrică, nu garantează în nici un caz utilizarea lui sigură.
- d) **Turația admisă a dispozitivului de lucru trebuie să fie cel puțin egală cu turația nominală specificată pe scula electrică.** Un accesoriu care se rotește mai repede decât este admis, se poate distruge.
- e) **Diametrul exterior și grosimea dispozitivului de lucru trebuie să corespundă datelor dimensionale ale sculei dumneavoastră electrice.** Dispozitivele de lucru greșit dimensionate nu pot fi protejate sau controlate în suficientă măsură.
- f) **Accesoriile prevăzute cu inserție filetată trebuie să se potrivească exact pe filetul arborelui de polizat. La accesoriile montate prin flanșe, diametrul găurii accesoriului trebuie să se potrivească cu diametrul de prindere al flanșei.** Accesoriile care nu sunt fixate exact la scula electrică, se rotește neuniform, vibrează foarte puternic și pot duce la pierderea controlului.
- g) **Nu folosiți dispozitive de lucru deteriorate. Înainte de utilizare controlați dacă dispozitivele de lucru ca discurile de șlefuit nu sunt sparte sau fisurate, dacă discurile abrazive nu sunt fisurate, uzate sau tocite puternic, dacă periile de sârmă nu prezintă fire desprinse sau rupte. Dacă scula electrică sau dispozitivul de lucru cade pe jos, verificați dacă nu cumva s-a deteriorat sau folosiți un dispozitiv de lucru nedeteriorat. După ce ați controlat și montat dispozitivul de lucru, țineți persoanele aflate în preajmă în afara planului de rotație al dispozitivului de lucru, și lăsați scula electrică să funcționeze un minut la turația nominală.** De cele mai multe ori, dispozitivele de lucru deteriorate se rup în această perioadă de probă.
- h) **Purtați echipament personal de protecție ④. În funcție de utilizare, purtați o protecție completă a feței, protecție pentru ochi sau ochelari de protecție. Dacă este cazul purtați mască de protecție împotriva prafului, protecție auditivă, mănuși de protecție sau șorț special care să vă ferească de micile așchii și particule de material.** Ochii trebuie protejați de corpurile străine aflate în zbor, apărute în cursul diferitelor aplicații. Maska de protecție împotriva prafului sau masca de protecție a respirației trebuie să filtreze praful degajat în timpul utilizării. Dacă sunteți expuși timp îndelungat zgomotului puternic, vă puteți pierde auzul.
- i) **Aveți grijă ca celelalte persoane să păstreze o distanță sigură față de sectorul dumneavoastră de lucru. Oricine pătrunde în sectorul de lucru trebuie să poarte echipament personal de protecție.** Fragmente din piesa de lucru sau dispozitivele de lucru rupte pot zbura necontrolat și provoacă răni chiar în afara sectorului direct de lucru.
- j) **Prindeți scula electrică numai de mânerul izolat atunci când executați operați în cursul cărora accesoriul poate atinge fire electrice ascunse sau propriul cablu de alimentare.** Contactul un cablu aflat sub tensiune poate pune sub tensiune și componentele metalice ale sculei electrice și duce la electrocutare.
- k) **Țineți cablul de alimentare departe de dispozitivele de lucru care se rotesc.** Dacă pierdeți controlul asupra mașinii cablul de alimentare poate fi tăiat sau prins iar mâna sau brațul dumneavoastră poate nimeri sub dispozitivul de lucru care se rotește.
- l) **Nu puneți niciodată jos scula electrică înainte ca dispozitivul de lucru să se fi oprit complet.** Dispozitivul de lucru care se rotește poate ajunge în contact cu suprafața de sprijin, fapt care vă poate face să pierdeți controlul asupra sculei electrice.
- m) **Nu lăsați scula electrică să funcționeze în timp ce o transportați.** În urma unui contact accidental cu dispozitivul de lucru care se rotește, acesta vă poate prinde îmbrăcămintea și chiar pătrunde în corpul dumneavoastră.
- n) **Curățați regulat fantele de aerisire ale sculei dumneavoastră electrice.** Ventilatorul motorului atrage praf în carcasă iar acumularea puternică de pulberi metalice poate provoca pericole electrice.
- o) **Nu folosiți scula electrică în apropierea materialelor inflamabile.** Scânteile pot duce la aprinderea acestor materiale.
- p) **Nu folosiți dispozitive de lucru care necesită agenți de răcire lichizi.** Folosirea apei sau a altor agenți de răcire lichizi poate duce la electrocutare.
- 2) REcul ȘI AVERTISMENTELE CORESPUNZĂTOARE**
- Reculul este reacția bruscă apărută la agățarea sau blocarea unui dispozitiv de lucru care se rotește, cum ar fi un disc de șlefuit, un disc abraziv, o perie de sârmă, etc. Agățarea sau blocarea duce la oprirea bruscă a dispozitivului de lucru care se rotește. Aceasta face ca scula electrică necontrolată să fie accelerată în punctul de blocare, în sens contrar direcției de rotație a dispozitivului de lucru.
 - Dacă, de exemplu, un disc de șlefuit se agăță sau se blochează în piesa de lucru, marginea discului de șlefuit care penetrează direct piesa de lucru se poate agățata în aceasta și duce astfel la smulgerea discului de șlefuit sau provoca recul. Discul de șlefuit se va deplasa către operator sau în sens opus acestuia, în funcție de direcția de rotație a discului în punctul de blocare. În această situație discurile de șlefuit se pot chiar rupe.
 - Un recul este consecința utilizării greșite sate defectuoase a sculei electrice. El poate fi împiedicat prin măsuri preventive adecvate, precum cele descrise în continuare.
- a) **Țineți bine scula electrică și aduceți-vă corpul și brațele într-o poziție în care să puteți controla forțele de recul. Folosiți întotdeauna o mână suplimentară, în caz că acesta există, pentru a avea un control maxim asupra forțelor de recul sau a momentelor de reacție la turații înalte.** Operatorul poate stăpâni forțele de recul și de reacție prin măsuri preventive adecvate.
- b) **Nu apropiați niciodată mâna de dispozitivele de lucru în mișcare de rotație.** În caz de recul dispozitivul de lucru se poate deplasa peste mâna dumneavoastră.
- c) **Evitați să staționați cu corpul în zona de mișcare a sculei electrice în caz de recul.** Reculul proiectează scula electrică într-o direcție opusă mișcării discului de șlefuit din punctul de blocare.

- d) **Lucrați extrem de atent în zona colțurilor, muchiilor ascuțite, etc. Evitați ca dispozitivul de lucru să ricoșeze după izbirea de piesa de lucru și să se blocheze.** Dispozitivul de lucru aflat în mișcare de rotație are tendința să se blocheze în colțuri, pe muchii ascuțite sau când ricoșează în urma izbirii. Aceasta duce la pierderea controlului sau la recul.
- e) **Nu folosiți pânze de ferăstrău pentru lemn sau pânze dințate.** Asemenea dispozitive de lucru provoacă frecvent recul sau duc la pierderea controlului asupra sculei electrice.
- 3) AVERTIZĂRI DE SIGURANȚĂ SPECIFICE PENTRU OPERAȚIUNI DE POLIZARE SAU TĂIERE ABRAZIVĂ**
- a) **Folosiți numai corpuri abrazive admise pentru scula dumneavoastră electrică și o apărătoare de protecție prevăzută pentru aceste corpuri abrazive.** Corpurile abrazive care nu sunt prevăzute pentru această sculă electrică nu pot fi acoperite și protejate suficient, fiind nesigure.
- b) **Discurile de șlefuire cu degajare trebuie astfel montate încât suprafața lor de șlefuire să nu depășească planul marginii apărătoarei de protecție.** Un disc de șlefuire montat necorespunzător, care depășește planul apărătoarei de protecție, nu poate fi acoperit suficient.
- c) **Apărătoarea de protecție trebuie fixată sigur pe scula electrică și astfel ajustată încât să se atingă o un grad maxim de siguranță în exploatare, adică numai o porțiune extrem de mică a corpului abraziv să rămână descoperită în partea dinspre operator.** Apărătoarea de protecție trebuie să protejeze operatorul de fragmentele desprinse prin șlefuire, de atingerea accidentală a corpului abraziv și de scânteilor care pot aprinde îmbrăcămintea.
- d) **Corpurile abrazive trebuie folosite numai pentru posibilitățile de utilizare recomandate.** De exemplu: nu șlefuiți niciodată cu partea laterală a unui disc de tăiere. Discurile de tăiere sunt destinate îndepărtării de material cu marginea discului. Exercițiarea unei forțe laterale asupra acestui corp abraziv poate duce la ruperea sa.
- e) **Folosiți întotdeauna flanșe de prindere nedeteriorate având dimensiuni și forme corespunzătoare discului de șlefuit ales de dumneavoastră.** Flanșele adecvate sprijină discul de șlefuit diminuând astfel pericolul ruperii acestuia. Flanșele pentru discuri de tăiere pot fi diferite față de flanșele pentru alte discuri de șlefuit.
- f) **Nu întrebuințați discuri de șlefuit uzate provenind de la scule electrice mai mari.** Discurile de șlefuit pentru sculele electrice mai mari nu sunt concepute pentru turațiile mai ridicate ale sculelelor electrice mai mici și se pot rupe.
- 4) ALTE AVERTISMENTE SPECIALE PRIVIND TĂIEREA**
- a) **Evitați blocarea discului de tăiere sau o apăsare prea puternică. Nu executați tăieri exagerat de adânci.** O supraîncărcare a discului de tăiere mărește solicitarea acestuia și tendința acestuia de a se înclina greșit în piesa de lucru sau de a se bloca, apărând astfel posibilitatea unui recul sau a ruperii corpului abraziv.
- b) **Evitați zona din fața și din spatele discului de tăiere care se rotește.** Dacă deplasați discul de tăiere în piesa de lucru în direcție opusă dumneavoastră, în caz de

- recul, scula electrică împreună cu discul care se rotește pot fi proiectate direct spre dumneavoastră.
- c) **Dacă discul de tăiere se blochează sau dacă întrerupeți lucrul, deconectați scula electrică și nu o mișcați până când discul se oprește complet. Nu încercați niciodată să extrageți discul de tăiere din tăietură, altfel se poate produce un recul.** Stabilități și îndepărtați cauza blocării discului.
- d) **Nu reporniți niciodată scula electrică cât timp aceasta se mai află încă în piesa de lucru. Lăsați discul de tăiere să atingă turația nominală și numai după aceea continuați să tăiați cu precauție.** În caz contrar discul se poate agăța, sări afară din piesa de lucru sau provoca recul.
- e) **Sprijiniți plăcile sau piesele de lucru mari pentru a diminua riscul reculului cauzat de blocarea discului de tăiere. Piese mari se pot încovoia sub propria greutate.** De aceea piesa de lucru trebuie sprijinită pe ambele părți, atât în apropierea liniei de tăiere cât și pe margine.
- f) **Fiți extrem de atenți în cazul „tăierii de cavitații” în pereți deja existenți sau în alte sectoare fără vizibilitate.** La penetrarea în sectorul vizat, discul de tăiere poate cauza un recul dacă nimeresc în conducte de gaz sau de apă, conductorii electrici sau alte obiecte.
- 5) AVERTISMENTE SPECIALE PRIVIND ȘLEFUIREA CU HÂRTIE ABRAZIVĂ**
- a) **Nu întrebuințați foi abrazive supradimensionate ci respectați indicațiile fabricantului privitoare la dimensiunile foilor abrazive.** Foile abrazive care depășesc marginile discului abraziv, pot cauza răniri precum și agățarea, ruperea foilor abrazive sau pot duce la recul.
- 6) AVERTISMENTE SPECIALE PRIVIND LUCRUL CU PERIILE DE SĂRMĂ**
- a) **Țineți seama de faptul că peria de sârmă pierde bucăți de sârmă chiar în timpul utilizării obișnuite. Nu suprasolicitați firele de sârmă printr-o apăsare prea puternică.** Bucățile de sârmă desprinse pot pătrunde cu ușurință prin îmbrăcămintea subțire și/sau în piele.
- b) **Dacă se recomandă o apărătoare de protecție, împiedicați contactul dintre apărătoarea de protecție și peria de sârmă.** Perile disc și perile oală își pot mări diametrul sub acțiunea presiunii de apăsare și a forțelor centrifuge.

GENERALITĂȚI

- Această sculă nu este potrivită pentru șlefuire/tăiere umedă
- Folosiți doar flanșele care sunt livrate cu această sculă
- Această sculă nu trebuie să fie folosit de persoane sub 16 ani
- Decuplați întotdeauna ștecherul de la sursa de alimentare înainte de a face o reglare sau o schimbare de accesoriu

ACCESORII

- SKIL garantează funcționarea perfectă a aparatului numai dacă sunt folosite accesoriile originale
- **Folosiți numai discuri de șlefuire/tăiere cu o grosime maximă de 8 mm și un diametru al orificiului axului de 22 mm**

- Pentru montarea/utilizarea accesoriilor care nu provin de la firma SKIL respectati instructiunile respectivului producător
- Nu folosiți niciodată reductoare sau adaptoare pentru a fixa discuri de șlefuire/tăiere cu orificiu mare
- Nu folosiți niciodată accesorii cu orificiu filetat orb mai mic decât M14x21mm

UTILIZARE ÎN AER LIBER

- Conectați sculă prin intermediul unui întrerupător de curent de defect cu un curent de declansare de maximum 30mA

ÎNAINTEA UTILIZĂRII

- Înaintea utilizării pentru prima dată a sculei este recomandat să primiți informații practice
- Verificați întotdeauna dacă tensiunea de alimentare este aceeași cu tensiunea indicată pe plăcuța de identificare a sculei (sculele cu o specificație de 230V și 240V pot fi conectate și la alimentare de 220V)
- Montați întotdeauna mânerul auxiliar E ② și dispozitivul de protecție F ②; nu folosiți niciodată sculă fără ele
- **Folosiți detectoare adecvate pentru depistarea conductelor și conductorilor de alimentare sau apelați în acest scop la întreprinderea locală de furnizare a utilităților** (contactul cu conductorii electrici poate provoca incendii sau electrocutare; deteriorarea unei conducte de gaz poate duce la explozii; spargerea unei conducte de apă provoacă pagube materiale sau poate provoca electrocutare)
- **Nu prelucrați materiale care conțin azbest** (azbestul este considerat a fi cancerigen)
- Praful rezultat din materiale precum vopseala care conține plumb, unele specii de lemn, minerale și metale poate fi periculos (contactul cu praful sau inhalarea acestuia poate provoca reacții alergice și/sau afecțiuni respiratorii operatorului sau persoanelor care stau în apropiere); **purtați o mască de praf și lucrați cu un dispozitiv de extragere a prafului când poate fi conectat**
- Anumite tipuri de praf sunt clasificate ca fiind cancerigene (cum ar fi praful de stejar și fag) în special în combinație cu aditivi pentru tratarea lemnului; **purtați o mască de praf și lucrați cu un dispozitiv de extragere a prafului când poate fi conectat**
- Respectați reglementările naționale referitoare la aspirația prafului în funcție de materialele de lucru folosite
- Aveți grijă la tăierea canalelor, în special în zidurile de rezistență (orificiile în zidurile de rezistență se supun reglementărilor specifice țării respective; aceste reglementări trebuie respectate în toate situațiile)
- **Securizați piesa de lucru** (o piesă de lucru fixată cu clame sau într-o menhină este ținută mult mai în siguranță decât manual)
- Nu fixați sculă în menhină
- Folosiți cabluri de prelungire derulate complet, protejate/izolate, cu o capacitate de 16 amperi

ÎN TIMPUL FUNCȚIONĂRII

- În cazul în care cordonul este deteriorat sau secționat în timpul lucrului, nu atingeți cordonul, dar deconectați imediat de la priză
- Nu folosiți scula atunci când cordonul sau prezintă defecțiuni; înlocuirea lor se va efectua de o persoană autorizată

- În cazul unor defecțiuni electrice sau mecanice deconectați imediat instrumentul și scoateți șnurul din priză
- În caz de întrerupere a curentului atunci când stecherul este scos din priză în mod accidental, deblocați imediat întrerupătorul pornit/oprit H ② pentru a preveni pornirea necontrolată

DUPĂ UTILIZARE

- După oprirea sculei, nu opriți niciodată rotația accesoriului aplicându-i acestuia o forță laterală

UTILIZAREA

- Montarea accesoriilor ②
 - ! **deconectați priza**
 - curățați fusul A și toate părțile care urmează a fi montate
 - strângeți flanșa de prindere B cu cheia de C în timp ce apăsați butonul de blocare a fusului D
 - ! **apăsați butonul de blocare a fusului D atunci când axul A este oprit**
 - pentru demontarea accesoriilor acționați în ordinea inversă a operațiilor
 - ! **discurile de șlefuire/tăiere devin foarte fierbinti în timpul utilizării; nu le atingeți până nu s-au răcit**
 - ! **montați întotdeauna tampon de amortizare atunci când folosiți accesorii pentru sablare**
 - ! **nu folosiți niciodată un disc de șlefuire/tăiere căruia să îi lipsească inscripționarea sub forma unei etichete (în caz că acesta există)**
- Montarea mânerului auxiliar E ⑥
 - ! **deconectați priza**
 - înșurubați mânerul auxiliar E în partea dreaptă, partea stângă sau partea superioară a mașinii (în funcție de operațiunea care urmează a fi efectuată)
- Demontarea/montarea/reglajul dispozitivului de protecție F ⑦
 - ! **deconectați priza**
 - ! **asigurați-vă că partea închisă a dispozitivului de protecție este întotdeauna îndreptată către operator**
- Înainte de a folosi scula
 - asigurați-vă că accesoriul este corect montat și bine strâns
 - verificați dacă accesoriul se învârteste liber, rotindu-l cu mâna
 - testați sculă în funcționare cel puțin 30 de secunde la cea mai mare turatie de mers în gol într-o poziție sigură
 - opriți imediat în cazul unor vibrații considerabile sau al altor defecte și verificați sculă pentru a stabili cauza
- Întrerupătorul cu blocare pornit/oprit H ⑧
 - porniți sculă ⑧a
 - ! **așteptați-vă la un impact brusc atunci când sculă este conectată**
 - ! **înainte ca accesoriul să atingă piesa care urmează a fi prelucrată, sculă ar trebui să funcționeze la întreaga viteză**
 - blocați întrerupătorul ⑧b
 - deblocați întrerupătorul/opriți sculă ⑧c
 - ! **înainte de oprirea sculei, trebuie să o ridicați de pe piesa de prelucrat**

! accesoriul continuă să se rotească pentru o scurtă perioadă de timp după ce sculă a fost deconectată

- Șlefuirea ⑨
 - mișcați sculă înainte –înapoi apăsând moderat
- ! nu folosiți niciodată un disc de tăiere pentru șlefuire laterală**
- Tăierea ⑩
 - atunci când tăieți nu basculați sculă
 - mișcați întotdeauna sculă în aceeași direcție ca și săgeata de pe port-sculă pentru ca sculă să nu fie aruncată din tăiere în mod necontrolat
 - nu apăsați scula; lăsați viteza discului de tăiere să-si îndeplinească sarcina
 - viteza de lucru a discului de tăiere depinde de materialul care trebuie tăiat
 - nu blocați discurile de tăiere cu presiune laterală
- Mănuirea și dirijarea sculei
 - țineți întotdeauna cu putere sculă cu ambele mâini, așa încât să o puteți controla în orice moment
- ! în timp ce lucrați, țineți întotdeauna scula de zonă (zonele) de prindere colorate gri ⑪**
- mențineți o poziție sigură a corpului
- fiți atenți la direcția de rotație; țineți întotdeauna sculă așa încât scânteele și praful provenit de la șlefuire/ tăiere să nu se deplaseze în direcția corpului
- mențineți fantele de ventilație J ⑫ neacoperite

SFATURI PENTRU UTILIZARE

- În locul flansei B ② poate fi folosită flanșa de prindere rapidă "CLIC" (accesoriu SKIL 2610388766); discurile de șlefuire/tăiere pot fi montate fără utilizarea cheilor accesoriu
- A se vedea alte recomandări la www.skil.com

ÎNȚEȚINERE / SERVICE

- Această sculă nu este destinată utilizării profesionale
- Păstrați aparatul și cablul curat (mai ales fantele de ventilație J ⑫)
! nu încercați să curățați fantele de ventilație înfingând obiecte ascuțite în ele
! deconectați de la priză înainte de a curăța
- Dacă în ciuda procedurilor de fabricație și control riguroase scula are totuși o pană, repararea acesteia se va face numai la un atelier de asistență service autorizat pentru scule electrice SKIL
 - trimiteți scula **în totalitatea lui** cu bonul de cumpărare la distribuitorul sau la centrul de service SKIL cel mai apropiat (adrese și diagrame de service se găsesc la www.skil.com)

MEDIUL

- **Nu aruncați sculele electrice, accesoriile sau ambalajele direct la pubelele de gunoi** (numai pentru țările din Comunitatea Europeană)
 - Directiva Europeană 2002/96/EC face referire la modul de aruncare a echipamentelor electrice și electronice și modul de aplicare a normelor în conformitate cu legislația națională; sculele electrice în momentul în care au atins un grad avansat de uzură și

trebuie aruncate, ele trebuie colectate separat și reciclate într-un mod ce respectă normele de protecție a mediului înconjurător

- simbolul ⑫ vă va reaminti acest lucru

DECLARAȚIE DE CONFORMITATE CE

- Declaram pe proprie răspundere că produsul descris la paragraful "Date tehnice" este în conformitate cu următoarele standarde și documente normative: EN 60745, EN 61000, EN 55014 conform prevederilor directivelor 2004/108/CE, 2006/42/CE, 2011/65/UE
- **Documentația tehnică la:** SKIL Europe BV (PT-SEU/ENG1), 4825 BD Breda, NL

Marijn van der Hoofden Olaf Dijkgraaf
Operations & Engineering Approval Manager

SKIL Europe BV, 4825 BD Breda, NL

05.08.2013

ZGOMOT/VIBRAȚII

- Măsurat în conformitate cu EN 60745 nivelul de presiune a sunetului generat de acest instrument este de 90 dB(A) iar nivelul de putere a sunetului 101 dB(A) (abaterea standard: 3 dB), iar nivelul vibrațiilor * m/s² (metoda mână-brat; incertitudine K = 1,5 m/s²)
 - * în timpul polizării suprafeței 8,1 m/s²
 - * în timpul șlefurii 6,2 m/s²
- ! alte aplicații (de ex: tăierea cablurilor sub formă de mănunchi de fire) pot avea alte valori ale nivelului de vibrații**
- Nivelul emisiilor de vibrații a fost măsurat în conformitate cu un test standardizat precizat în EN 60745; poate fi folosit pentru a compara o sculă cu alta și ca evaluare preliminară a expunerii la vibrații atunci când folosiți scula pentru aplicațiile menționate
 - utilizarea sculei pentru aplicații diferite sau cu accesorii diferite și prost întreținute poate **crește** semnificativ nivelul de expunere
 - momentele în care scula este oprită sau când funcționează dar nu execută nicio lucrare, pot **reduce** semnificativ nivelul de expunere
- ! protejați-vă împotriva efectelor vibrațiilor prin întreținerea sculei și a accesoriilor sale, păstrând mâinile calde și organizând procesele de lucru**

BG

Ъглошлайф

9176

УВОД

- Този инструмент е предназначен за шлифване, рязане и матиране на метали и каменни материали, без употреба на вода; в съчетание с подходящи консумативи, инструментата може да се използва и за изчеткване и почистване с пясък

- Този инструмент не е предназначен за професионална употреба
- **Операциите по рязане със свързани абразивни режещи колеца са позволени само, когато се използва предпазител за рязане (предлага се като допълнителен SKIL аксесоар 2610399439)**
- Прочетете и пазете това ръководство за работа ③

ТЕХНИЧЕСКИ ДАННИ ①

ЕЛЕМЕНТИ НА ИНСТРУМЕНТА ②

- A Шпиндел
- B Затягащ фланец
- C Гаечен ключ
- D Бутон за заключване на шпиндела
- E Помощна ръчка
- F Защитния капак
- G Скрепяващия фланец
- H Включващ/изключващ заключващия ключ
- J Вентилационните отвори

БЕЗОПАСНОСТ

ОБЩИ УКАЗАНИЯ ЗА БЕЗОПАСНА РАБОТА

⚠ ВНИМАНИЕ! Прочетете внимателно всички указания. Неспазването на приведените по долу указания може да доведе до токов удар, пожар и/или тежки травми. **Съхранявайте тези указания на сигурно място.** Използваният по-долу термин “електроинструмент” се отнася до хранвани от електрическата мрежа електроинструменти (със захранващ кабел) и до хранвани от акумулаторна батерия електроинструменти (без захранващ кабел).

1) БЕЗОПАСНОСТ НА РАБОТНОТО МЯСТО

- a) **Поддържайте работното си място чисто и подредено.** Безпорядъкът или недостатъчното осветление могат да спомогнат за възникването на трудова злополука.
- b) **Не работете с електроинструмента в среда с повишена опасност от възникване на експлозия, в близост до леснозапалими течности, газове или прахообразни материали.** По време на работа в електроинструментите се отделят искри, които могат да възпламят прахообразни материали или пари.
- c) **Дръжте деца и странични лица на безопасно разстояние, докато работите с електроинструмента.** Ако вниманието Ви бъде отклонено, може да загубите контрола над електроинструмента.

2) БЕЗОПАСНОСТ ПРИ РАБОТА С ЕЛЕКТРИЧЕСКИ ТОК

- a) **Щепселът на електроинструмента трябва да е подходящ за ползания контакт. В никакъв случай не се допуска изменение на конструкцията на щепсела. Когато работите със занулени електроуреди, не използвайте адаптери за щепсела.** Ползването на оригинални щепсели и контакти намалява риска от възникване на токов удар.

- b) **Избягвайте допира на тялото Ви до зазементи тела, напр. тръби, отоплителни уреди, пещи и хладилници.** Когато тялото Ви е заземено, рискът от възникване на токов удар е по-голям.
 - c) **Предпазвайте електроинструмента си от дъжд и влага.** Проникването на вода в електроинструмента повишава опасността от токов удар.
 - d) **Не използвайте захранващия кабел за цели, за които той не е предвиден, напр. за да носите електроинструмента за кабела или да извадите щепсела от контакта. Предпазвайте кабела от нагряване, омасляване, допир до остри ръбове или до подвижни звена на машини.** Повредени или усукани кабели увеличават риска от възникване на токов удар.
 - e) **Когато работите с електроинструмент навън, използвайте само удължителни кабели, предназначени за работа на открито.** Използването на удължител, предназначен за работа на открито, намалява риска от възникване на токов удар.
 - f) **Ако се налага използването на електроинструмента във влажна среда, използвайте предпазен прекъсвач за утечни токове.** Използването на предпазен прекъсвач за утечни токове намалява опасността от възникване на токов удар.
- ### 3) БЕЗОПАСЕН НАЧИН НА РАБОТА
- a) **Бъдете концентрирани, следете внимателно действията си и постъпвайте предпазливо и разумно. Не използвайте електроинструмента, когато сте уморени или под влиянието на наркотични вещества, алкохол или упойващи лекарства.** Един миг разсеяност при работа с електроинструмент може да има за следствие изключително тежки наранявания.
 - b) **Работете с предпазващо работно облекло и винаги с предпазни очила.** Носенето на подходящи за ползания електроинструмент и извършваната дейност лични предпазни средства, като дихателна маска, здрави плътнотатворени обувки със стабилен грайфер, защитна каска или шумозаглушители (антифони), намалява риска от възникване на трудова злополука.
 - c) **Избягвайте опасността от включване на електроинструмента по невнимание. Преди да включите щепсела в захранващата мрежа или да поставите акумулаторната батерия, се уверявайте, че пусковият прекъсвач е в положение изключено.** Ако, когато носите електроинструмента, дръжте пръста си върху пусковия прекъсвач, или ако подавате захранващо напрежение на електроинструмента, когато е включен, съществува опасност от възникване на трудова злополука.
 - d) **Преди да включите електроинструмента, се уверявайте, че сте отстранили от него всички помощни инструменти и гаечни ключове.** Помощен инструмент, забравен на въртящо се звено, може да причини травми.
 - e) **Не надценявайте възможностите си. Работете в стабилно положение на тялото и във всеки**

момент поддържайте равновесие. Така ще можете да контролирате електроинструмента по-добре и по-безопасно, ако възникне неочаквана ситуация.

- f) **Работете с подходящо облекло. Не работете с широки дрехи или украшения. Дръжте косата си, дрехите и ръкавици на безопасно разстояние от въртящи се звена на електроинструментите.** Широките дрехи, украшенията, дългите коси могат да бъдат захванати и увлечени от въртящи се звена.
- g) **Ако е възможно използването на външна аспирационна система, се уверявайте, че тя е включена и функционира изправно.** Използването на аспирационна система намалява рисковете, дължащи се на отделящата се при работа прах.

4) ВНИМАТЕЛНО ОТНОШЕНИЕ КЪМ ЕЛЕКТРОИНСТРУМЕНТИ

- a) **Не претоварвайте електроинструмента.** Използвайте електроинструментите само съобразно тяхното предназначение. Ще работите по-добре и по-безопасно, когато използвате подходящия електроинструмент в зададения от производителя диапазон на натоварване.
- b) **Не използвайте електроинструмент, чиито пусков прекъсвач е повреден.** Електроинструмент, който не може да бъде изключван и включван по предвидения от производителя начин, е опасен и трябва да бъде ремонтиран.
- c) **Преди да променят настройките на електроинструмента, да заменят работни инструменти и допълнителни приспособления, както и когато продължително време няма да използват електроинструмента, изключвайте щепсела от захранващата мрежа и/или изваждайте акумулаторната батерия.** Тази мярка премахва опасността от задействане на електроинструмента по невнимание.
- d) **Съхранявайте електроинструментите на места, където не могат да бъдат достигнати от деца. Не допускайте те да бъдат използвани от лица, които не са запознати с начина на работа с тях и не са прочели тези инструкции.** Когато са в ръцете на неопитни потребители, електроинструментите могат да бъдат изключително опасни.
- e) **Поддържайте електроинструментите си грижливо.** Проверявайте дали подвижните звена функционират безукорно, дали не заклинват, дали има ступени или повредени детайли, които нарушават или изменят функциите на електроинструмента. Преди да използвате електроинструмента, се погрижете повредените детайли да бъдат ремонтирани. Много от трудовите злополуки се дължат на недобре поддържани електроинструменти и уреди.
- f) **Поддържайте режещите инструменти винаги добре заточени и чисти.** Добре поддържаните режещи инструменти с остри ръбове оказват по-малко съпротивление и се водят по-леко.
- g) **Използвайте електроинструментите, допълнителните приспособления, работните**

инструменти и т.н., съобразно инструкциите на производителя. С дейности и процедури, евентуално предписани от различни нормативни документи. Използването на електроинструменти за различни от предвидените от производителя приложения повишава опасността от възникване на трудови злополуки.

5) ПОДДЪРЖАНЕ

- a) **Допускайте ремонтът на електроинструментите Ви да се извършва само от квалифицирани специалисти и само с използването на оригинални резервни части.** По този начин се гарантира съхраняване на безопасността на електроинструмента.

УКАЗАНИЯ ЗА БЕЗОПАСНА РАБОТА ЗА ЪГЛОШЛАЙФ

1) УКАЗАНИЯ ЗА БЕЗОПАСНА РАБОТА ЗА ВСИЧКИ ПРИЛОЖЕНИЯ

- a) **Този електроинструмент може да се използва за шлифване с абразивен диск и с шкурна, почистване с телена четка, и рязане с абразивен диск. Спазвайте всички указания и предупреждения, съобразявайте се с приведенията технически параметри и изобращения.** Ако не спазвате посочените по-долу указания, последствията могат да бъдат токов удар, пожар и/или тежки травми.
- b) **Този инструмент не се препоръчва за полиране.** Дейностите, за които инструментът не е предназначен, може да създадат опасност и да причинят телесно нараняване.
- c) **Не използвайте допълнителни приспособления, които не се препоръчват от производителя специално за този инструмент.** Фактът, че можете да закрепите към инструмента определено приспособление или работен инструмент, не гарантира безопасна работа с него.
- d) **Допустимата скорост на въртене на работния инструмент трябва да е по-малка от изписаната на табелката на електроинструмента максимална скорост на въртене.** Инструменти, които се въртят с по-висока скорост от максимално допустимата, могат да се разрушат.
- e) **Външният диаметър и дебелината на работния инструмент трябва да съответстват на данните, посочени в техническите характеристики на Вашия електроинструмент.** Работни инструменти с неподходящи размери не могат да бъдат екранирани по необходимия начин или да бъдат контролирани достатъчно добре.
- f) **Работни инструменти с опасна на резба трябва да пасват точно на присъединителната резба на вала на машината. При работни инструменти, които се монтират с помощта на фланец, диаметърът на отвора трябва да пасва точно на диаметъра на присъединителното стъпало на фланеца.** Работни инструменти, които не бъдат захванати правилно към електроинструмента, се въртят неравномерно, вибрират силно и могат да предизвикат загуба на контрол над електроинструмента.

- g) **Не използвайте повредени работни инструменти. Преди всяка употреба проверявайте работните инструменти, напр. абразивните дискове за пукнатини или откътрени ръбчета, подложните дискове за пукнатини или силно износване, телените четки за недобре захванати или счупени телчета. Ако изтървете електроинструмента или работния инструмент, ги проверявайте внимателно за увреждания или използвайте нови неповредени работни инструменти. След като сте проверили внимателно и сте монтирали работния инструмент, оставете електроинструмента да работи на максимални обороти в продължение на една минута; стойте и дръжте намиращи се наблизо лица встрани от равнината на въртене. Най-често повредени работни инструменти се чупят през този тестов период.**
- h) **Работете с лични предпазни средства ④. В зависимост от приложението работете с цяла масна за лице, защита за очите или предпазни очила. Ако е необходимо, работете с дихателна маска, шумозаглушители (антифони), работни обувки или специализирани престилки, която Ви предпазва от малки откътрени при работата частички. Очите Ви трябва да са защитени от летящите в зоната на работа частички. Противопраховата или дихателната маска филтрират възникващия при работа прах. Ако продължително време сте изложени на силен шум, това може да доведе до загуба на слух.**
- i) **Внимавайте други лица да бъдат на безопасно разстояние от зоната на работа. Всени, които се намират в зоната на работа, трябва да носи лични предпазни средства. Откътрени парченца от обработвания детайл или работния инструмент могат в резултат на силното ускорение да отлетят надалече и да предизвикат наранявания също и извън зоната на работа.**
- j) **Когато изпълнявате дейности, при които работният инструмент може да попадне на скрити под повърхността проводници под напрежение или да засегне захранващия кабел, внимавайте да допирате електроинструмента само до изолираните ръкохватки. При контакт с проводник под напрежение то се предава на металните детайли на електроинструмента и това може да предизвика токов удар.**
- k) **Дръжте захранващия кабел на безопасно разстояние от въртящия се работен инструмент. Ако изгубите контрол над електроинструмента, кабелът може да бъде прерязан или увлечен от работния инструмент и това да предизвика наранявания, напр. на ръката Ви.**
- l) **Никога не оставяйте електроинструмента, преди работният инструмент да спре напълно въртенето си. Въртящият се инструмент може да допре до предмет, в резултат на което да загубите контрол над електроинструмента.**
- m) **Докато пренасяте електроинструмента, не го оставяйте включен. Дрежите или косите Ви могат да бъдат увлечени от работния инструмент в**

резултат на неволен допир, в резултат на което работният инструмент може да се вреже в тялото Ви.

- n) **Редовно почиствайте вентилационните отвори на Вашия електроинструмент. Турбината на електродвигателя засмуква прах в корпуса, а натрупването на метален прах увеличава опасността от токов удар.**
- o) **Не използвайте електроинструмента в близост до леснозапалими материали. Летящи искри могат да предизвикат възпламеняването на такива материали.**
- p) **Не използвайте работни инструменти, които изискват прилагането на охлаждащи течности. Използването на вода или други охлаждащи течности може да предизвика токов удар.**
- 2) ОТКАТ И СЪВЕТИ ЗА ИЗБЪГНАНЕТО МУ**
- Откат е внезапната реакция на инструмента вследствие на заклиняване или блокиране на въртящия се работен инструмент, напр. абразивен диск, гумен подложен диск, телена четка и др.п. Заклиняването или блокирането води до рязкото спиране на въртенето на работния инструмент. Вследствие на това инструментът получава силно ускорение в посока, обратна на посоката на движение на инструмента в точката на блокиране, и става неуправляем.
 - Ако напр. абразивен диск се заклини или блокира в обработваното изделие, ръбче на диска, който допира детайла, може да се огъне и в резултат дискът да се счупи или да възникне откат. В такъв случай дискът се ускорява към работещия с инструмента или в обратна посока, в зависимост от посоката на въртене на диска и мястото на заклиняване. В такива случаи абразивните дискове могат и да се счупят.
 - Откат възниква в резултат на неправилно или погрешно използване на електроинструмента. Възникването му може да бъде предотвратено чрез спазването на подходящи предпазни мерки, както е описано по-долу.
- a) **Дръжте електроинструмента здраво и дръжте ръцете и тялото си в такава позиция, че да противостоите на евентуално възникващ откат. Ако инструментът има спомагателна ръкохватка, винаги я използвайте, за да го контролирате по-добре при откат или при възникващите реакционни моменти по време на включване. Ако предварително вземете подходящи предпазни мерки, при възникване на откат или силни реакционни моменти можете да овладеете инструмента.**
- b) **Никога не поставяйте ръцете си в близост до въртящи се работни инструменти. Ако възникне откат, инструментът може да нарани ръката Ви.**
- c) **Избягвайте да заставате в зоната, в която би отскочил инструментът при възникване на откат. Откатът премества инструмента в посока, обратна на посоката на движение на работния инструмент в зоната на блокиране.**
- d) **Работете особено предпазливо в зоните на ъгли, остри ръбове и др.п. Избягвайте отблъскването**

- или заклинването на работните инструменти в обработвания детайл. При обработване на ъгли или остри ръбове или при рязко отблъскване на въртящия се работен инструмент съществува повишена опасност от заклиняване. Това предизвиква загуба на контрол над инструмента или откат.
- e) **Не използвайте верижни или назъбени режещи листове.** Такива работни инструменти често предизвикват откат или загуба на контрол над електроинструмента.
- 3) СПЕЦИАЛНИ УКАЗАНИЯ ЗА БЕЗОПАСНА РАБОТА ПРИ ШЛИФОВАНЕ ИЛИ РЯЗАНЕ С АБРАЗИВНИ ДИСКОВЕ**
- a) **Използвайте само предвидените за Вашия електроинструмент абразивни дискове и предназначения за използвания абразивен диск предпазен кожух.** Абразивни дискове, които не са предназначени за електроинструмента, не могат да бъдат екранирани добре и не гарантират безопасна работа.
- b) **Огънати дискове трябва да се монтират така, че шлифоващата им повърхност да не се подава извън равнината на външния ръб на предпазния кожух.** Неправилно монтиран шлифовачен диск, който се подава извън предпазния кожух, не може да бъде екраниран от кожуха достатъчно добре.
- c) **Предпазният кожух трябва да е захванат здраво към инструмента и да е разположен така, че да осигурява максимална безопасност, напр. абразивният диск не трябва да е насочен непокрыт от кожуха към работещия с инструмента.** Кожухът трябва да предпазва работещия с инструмента от отхвърчащи откъргени парченца, от влизане в съприкосновение с въртящия се абразивен диск и от искри, които могат да запалят облеклото.
- d) **Допуска се използването на абразивните дискове само за целите, за които те са предвидени.** Напр.: никога не шлифвайте със страничната повърхност на диск за рязане. Дисковете за рязане са предназначени за отнемане на материал с ръба си. Странично прилагане на сила може да ги счупи.
- e) **Винаги използвайте застопоряващи фланци, които са в безурноно състояние и съответстват по размери и форма на използвания абразивен диск.** Използването на подходящ фланец предпазва диска и по този начин намалява опасността от счупването му. Застопоряващите фланци за режещи дискове могат да се различават от тези за дискове за шлифване.
- f) **Не използвайте износени абразивни дискове от по-големи електроинструменти.** Дисковете за по-големи машини не са предназначени за въртене с високите скорости, с които се въртят по-малките, и могат да се счупят.
- 4) СПЕЦИАЛНИ УКАЗАНИЯ ЗА БЕЗОПАСНА РАБОТА ЗА РЕЖЕЩИ ДИСКОВЕ**
- a) **Избягвайте блокиране на режещия диск или силното му притискане. Не изпълнявайте твърде дълбоки срезове.** Претоварването на режещия диск увеличава опасността от заклиняването му или блокирането му, а с това и от възникването на откат или счупването му, докато се върти.
- b) **Избягвайте да заставате в зоната пред и зад въртящия се режещ диск.** Когато режещият диск е в една равнина с тялото Ви, в случай на откат електроинструментът с въртящия се диск може да отскочи непосредствено към Вас и да Ви нарани.
- c) **Ако режещият диск се заклини или когато прекъсвате работата, изключвайте електроинструмента и го оставяйте едва след окончателното спиране на въртенето на диска.** Никога не опитвайте да извадите въртящия се диск от междината на рязане, в противен случай може да възникне откат. Определете и отстранете причината за заклиняването.
- d) **Не включвайте повторно електроинструмента, ако дискът се намира в разрязвания детайл.** Преди внимателно да продължите рязането, изчакайте режещият диск да достигне пълната си скорост на въртене. В противен случай дискът може да се заклини, да отскочи от обработвания детайл или да предизвика откат.
- e) **Подпирайте плочи или големи разрязвани детайли по подходящ начин, за да ограничите риска от възникване на откат в резултат на заклинен режещ диск.** По време на рязане големи детайли могат да се огънат под действие на силата на собственото си тегло. Детайлът трябва да е подпрян от двете страни, както в близост до линията на разрязване, така и в другия си край.
- f) **Бъдете особено предпазливи при прорязване на канали в стени или други зони, които могат да крият изненади.** Режещият диск може да предизвика откат на инструмента при допир до газо- или водопроводи, електропроводи или други обекти.
- 5) СПЕЦИАЛНИ УКАЗАНИЯ ЗА БЕЗОПАСНА РАБОТА ПРИ ШЛИФОВАНЕ С ШКУРКА**
- a) **Не използвайте твърде големи листове шкурка, спазвайте указанията на производителя за размерите на шкурката.** Листове шкурка, които се подават извън подложния диск, могат да предизвикат наранявания, както и да доведат до блокиране и разкъсване на шкурката или до възникване на откат.
- b) **СПЕЦИАЛНИ УКАЗАНИЯ ЗА БЕЗОПАСНА РАБОТА ПОЧИСТВАНЕ С ТЕЛЕНИ ЧЕТКИ**
- a) **Не забравяйте, че и при нормална работа от телената четка падат телчета. Не претоварвайте телената четка, като я притискате твърде силно.** Отхвърчащите от телената четка телчета могат лесно да проникнат през дрехите и/или кожата Ви.
- b) **Ако се препоръчва използването на предпазен кожух, предварително се уверявайте, че телената четка не допира до него.** Дисковете и чашковидните телени четки могат да увеличат диаметъра си в резултат на силата на притискане и центробежните сили.

ОБЩИ

- Този инструмент не е подходящ за мокро шлифование/рязане
- Използвайте само фланците, доставени с инструмента
- Машината не трябва да се използва от лица под 16 години
- **Преди извършването на каквато и да било настройка или смяна на принадлежност винаги изваждайте щепсела от контакта на електрозахранването**

ДОПЪЛНИТЕЛНИ АКСЕСОАРИ

- SKIL може да осигури безаварийна работа на електроинструмента само ако се използва оригинални допълнителни приспособления
- **Използвайте само шлифовачи/режещи дискове с максимална дебелина 8 мм и диаметър на шпинделна отвор 22 мм**
- При монтиране на инструмент на консумативи, не произведени от SKIL, следвайте инструкциите на съответния производител
- Никога не използвайте намалители или други приспособления за напасване отвора на диска
- Никога не използвайте консумативи с резбован отвор, по-малък M14 x 21 mm

УПОТРЕБА НА ОТКРИТО

- Включете инструмента с помощта на електрически прекъсвач (FI) с максимален ток 30 mA

ПРЕДИ УПОТРЕБА

- Преди да използвате инструмента за първи път, се препоръчва да получите практическа информация относно работата с нея
- Преди включване на инструмента в контакта се уверете, че мрежовото напрежение отговаря на напрежението, обозначено на фирмената табелка на инструмента (инструменти с номинално напрежение 230V или 240V могат да бъдат включени и към захранване с напрежение 220V)
- Винаги монтирайте помощната дръжка E ② и защитния капак F ②; никога не работете с инструмента без тях
- **За да откриете скрити под повърхността елентро-, водо- и газопроводи, използвайте подходящи уреди или се обърнете към местното снабдително дружество** (прекъсването на електропроводници под напрежение може да предизвика пожар и/или токов удар; увреждането на газопровод може да предизвика експлозия; засягането на водопровод може да предизвика значителни материални щети и/или токов удар)
- **Не обработвайте азбестосъдържащ материал** (азбестът е канцерогенен)
- Прахът от някои материали, като например съдържаща олово боя, някои видове дървесина, минерали и метали може да бъде вреден (контакт или вдишване на такъв прах могат да причинят алергични реакции и/или респираторни заболявания на оператора или стоящите наблизо лица); **използвайте противопрахова масна и работете с аспириращо прахта устройство, когато такова може да бъде свързано**

- Определени видове прах са класифицирани като карциногенни (като прах от дъб и бук) особено когато са комбинирани с добавки за подобряване на състоянието на дървесината; **използвайте противопрахова масна и работете с аспириращо прахта устройство, когато такова може да бъде свързано**
- Следвайте дефинираните по БДС изисквания относно запаршеността за материалите, които желаете да обработвате
- Внимавайте при рязане на греди, особено в носещи стени (при тези стени цепнатините са поставени по специален начин, указан в съответните регулации за страната; спазвайте тези регулации)
- **Обезопасете работния материал** (материал, затегнат в затягащ инструмент или в менгеме е по-устойчив, отколкото ако се държи в ръка)
- Не затягайте електроинструмента в преса или менгеме
- Използвайте напълно развити и обезопасени разклонители с капацитет 16 A

ПРИ УПОТРЕБА

- Ако кабелът се повреди ил среже по време на работа, не го докосвайте, веднага изключете щепсела, никога не използвайте инструмента с повреден кабел
- Не използвайте инструмента, когато е повреден шнурът; замената му следва да се извърши от квалифицирано лице
- В случай на електрическа или механична неизправност, изключете незабавно апарата и прекъснете контакта с електрическата мрежа
- В случай на прекъсване на захранването или неочаквано измъкване на щепсела, веднага отключете ключа за заключване/отключване H ②, за да избегнете рестартиране на инструмента

СЛЕД РАБОТА

- След като изключите инструмента, никога не прилагайте допълнителна сила за да спрете въртенето на аксесоарите

УПОТРЕБА

- Монтиране на аксесоарите ②
 - ! **изключете щепсела**
 - почистете шпиндела A и всички части, които ще се монтират
 - с ключа C притегнете затягащ фланеца B като натискате бутона за заключване на шпиндела D
- ! **натиснете бутона за заключване на шпиндела D само когато шпинделът A е в напълно спряно положение**
- за премахване на консумативи следвайте обратния ред
- ! **по време на работа режещите дискове се загаряват; не ги докосвайте докато не изстинат напълно**
- ! **когато използвате консумативите за почистване с пясък, винаги монтирайте допълнителната поддържаща подложка**
- ! **никога не използвайте режещия диск без залепения върху него етикет (винаги я използвайте)**

- Монтиране на помощната дръжка Е ⑥
 - ! **изключете щепсела**
 - завийте спомагателната ръкохватка Е от дясната страна, отгоре или от лявата страна на инструмента (в зависимост от това, какво ще извършвате)
- Сваляне/монтиране/регулиране на защитния капак F ⑦
 - ! **изключете щепсела**
 - ! **уверете се затворения край на защитния капак е насочен към оператора**
- Преди употреба
 - уверете се, че аксесоарите са правилно поставени и здраво затегнати
 - проверете дали аксесоарите се въртят свободно като ги завъртите с ръка
 - предварително тествайте инструмента, като я включите най-малко за 30 секунди на максимална скорост
 - в случай на силни вибрации или други неизправности, веднага спрете инструмента за установяване на повредата
- Включете/изключете ключа H ⑧
 - превключете инструмента ⑧а
 - ! **при включване на инструмента внимавайте за внезапни удари или тласъци**
 - ! **преди аксесоарът да докосне работната площ, инструмента трябва да работи с максимална скорост**
 - заключете ключа ⑧b
 - отключете ключа/изключете инструмента ⑧с
 - ! **преди да изключите инструмента, трябва да я вдигнете от работната повърхност**
 - ! **аксесоарите продължават да се въртят известно време след изключване на инструмента**
- Шлифване ⑨
 - с умерен натиск движете инструмента напред-назад
 - ! **никога не използвайте ренещ диск за странично шлифване**
- Рязане ⑩
 - не навеждайте инструмента при рязане
 - за да избегнете неочаквано отскачане на инструмента встрани, винаги движете инструмента в посока на стрелката, която се намира върху главата
 - не прилагайте натиск върху инструмента; оставете движението на режещия диск да извършва процеса
 - работната скорост на режещия диск зависи от материала, който трябва да се отреже
 - не спирайте режещия диск с външен натиск
- Държане и насочване на инструмента
 - винаги дръжте инструмента здраво с двете ръце, така че през цялото време да сте в състояние да я управлявате сигурно
 - ! **по време на работа, винаги дръжте уреда за оцветената(ите) в сиво зона(и) за хващане ⑪**
 - снабдете се с устойчива стойка
 - обърнете внимание на посоката на въртене; винаги дръжте инструмента така, че искрите и

прахът от рязане/шлифване да се разпръсват далеч от тялото

- оставяйте вентилационните отвори J ⑫ непокрити

УКАЗАНИЯ ЗА РАБОТА

- Вместо фланеца B ⑫ може да се използва бързо затягащият се фланец "CLIC" (аксесоари SKIL 2610388766); в този случай режещия/шлифоващ диск могат да се монтират без помощта на допълнителни ключове
- За повече полезни указания вж. www.skil.com

ПОДДРЪЖКА / СЕРВИЗ

- Този инструмент не е предназначен за професионална употреба
- Поддържайте винаги електроинструмента и захранващия кабел чисти (особено вентилационните отвори J ⑫)
 - ! **не се опитвайте да почиствате инструмента като пъхате заострени предмети в вентилационните отвори**
 - ! **преди почистване изключете щепсела**
- Ако въпреки прецизното производство и внимателно изпитване възникне повреда, инструмента да се занесе за ремонт в оторизиран сервиз за електроинструменти на SKIL
 - занесете инструмента в неразглобен вид заедно с доказателство за покупката му в търговския обект, откъдето сте го закупили, или в най-близкия сервиз на SKIL (адресите, както и схемата за сервизно обслужване на електроинструмента, можете да намерите на адрес www.skil.com)

ОПАЗВАНЕ НА ОКОЛНАТА СРЕДА

- **Не извършвайте електроуредите, приспособленията и опаковките заедно с битови отпадъци** (само за страни от ЕС)
 - съобразно Директивата на ЕС 2002/96/EG относно износени електрически и електронни уреди и отразяването ѝ в националното законодателство износените електроуреди следва да се събират отделно и да се предават за рециклиране според изискванията за опазване на околната среда
 - за това указва символът ⑬ тогава когато трябва да бъдат унищожени

ДЕКЛАРАЦИЯ ЗА СЪОТВЕТСТВИЕ СЕ

- С пълна отговорност ние декларираме, че описаният в "Технически данни" продукт съответства на следните стандарти или нормативни документи: EN 60745, EN 61000, EN 55014 съгласно изискванията на директиви 2004/108/EG, 2006/42/EG, 2011/65/EC

- **Подробни технически описания при:**
SKIL Europe BV (PT-SEU/ENG1), 4825 BD Breda, NL

Marijn van der Hoofden Olaf Dijkgraaf
Operations & Engineering Approval Manager

SKIL Europe BV, 4825 BD Breda, NL

05.08.2013

ШУМ/ВИБРАЦИИ

- Измерено в съответствие с EN 60745 нивото на звуково налягане на този инструмент е 90 dB(A) а нивото на звукова мощност е 101 dB(A) (стандартно отклонение: 3 dB), а вибрациите са * m/c^2 (метод ръка-рамо; неопределеност $K = 1,5 m/c^2$)
 - * докато шлайфате повърхности 8,1 m/c^2
 - * докато почистване 6,2 m/c^2
- ! **при други приложения (като рязане например или почистване с телени четки) може да имат различно ниво на вибрации**
- Нивото на предадените вибрации е измерено в съответствие със стандартизирания тест, определен в EN 60745; то може да се използва за сравнение на един инструмент с друг и като предварителна оценка на подлагането на вибрации при използването на инструмента за посочените приложения
 - използването на инструмента за различни от тези приложения или с други, или лошо поддържани аксесоари може значително **да повиши** нивото на което сте подложени
 - периодите от време, когато инструмента е изключен или съответно включен, но с него не се работи в момента могат значително **да намалят** нивото на което сте подложени
- ! **предпазвайте се от ефектите от вибрациите, като поддържате инструмента и аксесоарите му, пазете ръцете си топли и организирате вашите модели на работа**

SK

Uhlová brúska

9176

ÚVOD

- Tento nástroj je určený na brúsenie, rezanie a odstraňovanie kovových a kamenných materiálov bez použitia vody; nástroj je možné s patričným príslušenstvom použiť aj na brúsenie a pieskovanie
- Tento nástroj nie je vhodný pre profesionálne použitie
- **Rezanie pomocou prilepených brúsnych kotúčov pre odrezávanie je povolené len vtedy, kým sa používa ochranný kryt (k dostaniu ako dodatočné príslušenstvo SKIL 2610399439)**
- Prečítajte a uschovajte tento návod na použitie ③

TECHNICKÉ ÚDAJE ①

ČASTI NÁSTROJA ②

- A Vreteno
- B Upínacia prírubka
- C Maticový kľúč
- D Gombík na uzamknutie vretena
- E Pomocné držadlo
- F Ochranný kryt
- G Montážna prírubka
- H Blokovací spínač zapnutie/vypnutie
- J Vetracie štrbiny

BEZPEČNOSŤ

VŠEOBECNÉ BEZPEČNOSTNÉ POKYNY

⚠ POZOR! Prečítajte si všetky výstražné upozornenia a bezpečnostné pokyny. Zanedbanie dodržiavania výstražných upozornení a pokynov uvedených v nasledujúcom texte môže mať za následok zásah elektrickým prúdom, spôsobiť požiar a/alebo ťažké poranenie. **Tieto výstražné upozornenia a bezpečnostné pokyny starostlivo uschovajte na budúce použitie.** Pojem ručné "elektrické náradie" používaný v nasledujúcom texte sa vzťahuje na ručné elektrické náradie napájané zo siete (s prívodnou šnúrou) a na ručné elektrické náradie napájané akumulátorovou batériou (bez prívodnej šnúry).

1) BEZPEČNOSŤ NA PRACOVISKU

- a) **Udržiavajte svoje pracovisko čisté a upratané.** Neporiadok na pracovisku alebo neosvetlené časti pracoviska môžu viesť k úrazom.
- b) **Nepracujte elektrickým náradím v prostredí ohrozenom výbuchom, v ktorom sa nachádzajú horľavé kvapaliny, plyny alebo prach.** Elektrické náradie produkuje iskry, ktoré môžu prach alebo pary zapáliť.
- c) **Deti a iné osoby udržiavajte počas práce od ručného elektrického náradia v dostatočnej vzdialenosti.** V prípade odpútania Vašej pozornosti by ste mohli stratiť kontrolu nad náradím.

2) ELEKTRICKÁ BEZPEČNOSŤ

- a) **Zástrčka prívodnej šnúry sa musí hodiť do napájacej zásuvky. Zástrčka sa v žiadnom prípade nesmie meniť. Pri uzemnených spotrebičoch nepoužívajte spolu s nimi žiadne adaptéry.** Nezmenená zástrčka a vhodná zásuvka znižujú riziko zásahu elektrickým prúdom.
- b) **Vyhýbajte sa telesnému kontaktu s povrchovými plochami uzemnených spotrebičov, ako sú elektrické rúry, vyhrievacie telesá, sporáky a chladničky.** Keď je Vaše telo uzemnené, riziko zásahu elektrickým prúdom je vyššie.
- c) **Chráňte ručné elektrické náradie pred dažďom a vlhkom.** Vniknutie vody do ručného elektrického náradia zvyšuje riziko zásahu elektrickým prúdom.
- d) **Nepoužívajte prívodnú šnúru na prenášanie náradia, na jeho vešanie, ani za ňu nevytahujte zástrčku zo zásuvky. Prívodnú šnúru chráňte pred horúčavou, olejom, ostrými hranami alebo pohybujúcimi sa časťami náradia.** Poškodené alebo

zauzlené šnúry zvyšujú riziko zásahu elektrickým prúdom.

- e) **Ak pracujete s ručným elektrickým náradím vonku, používajte len také predlžovacie šnúry, ktoré sú schválené pre používanie vo vonkajších priestoroch.** Používanie predlžovacej šnúry určenej do vonkajšieho prostredia znižuje riziko zásahu elektrickým prúdom.
- f) **Ak sa nedá vyhnúť použitiu ručného elektrického náradia vo vlhkom prostredí, použite prerušovač uzemňovacieho obvodu.** Používanie prerušovača uzemňovacieho obvodu znižuje riziko zásahu elektrickým prúdom.

3) BEZPEČNOSŤ OSÔB

- a) **Buďte pozorní, dávajte pozor na to, čo robíte a k práci s elektrickým náradím pristupujte rozumne. Nepoužívajte elektrické náradie, keď ste unavení alebo keď ste pod vplyvom drog, alkoholu alebo liekov.** Chvíľa nepozornosti pri používaní náradia môže viesť k vážnym poraneniam.
- b) **Noste osobné ochranné pomôcky, ochranný odev a vždy majte nasadené ochranné okuliare.** Nosenie pracovného odevu a používanie ochranných pomôcok ako ochrannej dýchacej masky, bezpečnostných protišmykových topánok, prilby alebo chrániča sluchu, podľa druhu elektrického náradia, znižuje riziko poranenia.
- c) **Vyhýbajte sa neúmyselnému uvedeniu ručného elektrického náradia do činnosti. Pred zasunutím zástrčky do zásuvky a/alebo pred pripojením akumulátora, pred chytením alebo prenášaním ručného elektrického náradia sa vždy presvedčte sa, či je ručné elektrické náradie vypnuté.** Ak budete mať pri prenášaní ručného elektrického náradia prst na vypínači, alebo ak ručné elektrické náradie pripojíte na elektrickú sieť zapnuté, môže to mať za následok nehodu.
- d) **Skôr ako ručné elektrické náradie zapnete, odstráňte nastavovacie a montážne nástroje.** Nástroj alebo kľúč, ktorý sa nachádza vo pohyblivej časti náradia, môže spôsobiť poranenie.
- e) **Neprečehujte sa. Zabezpečte si pevný postoj a neprestajne udržiavajte rovnováhu.** Takto budete môcť ručné elektrické náradie v neočakávaných situáciách lepšie kontrolovať.
- f) **Pri práci noste vhodný pracovný odev. Nenoste široké odevy a nemajte na sebe šperky.** Dbajte na to, aby ste mali vlasy, odev a rukavice v dostatočnej vzdialenosti od pohybujúcich sa častí náradia. Pohybujúce sa časti náradia by mohli zachytiť voľné oblečenie, šperky alebo dlhé vlasy.
- g) **Ak možno namontovať zariadenie na odsávanie alebo zachytávanie prachu, presvedčte sa, či je pripojené a správne používané.** Používanie odsávacieho zariadenia a zariadenia na zachytávanie prachu znižuje riziko ohrozenia zdravia prachom.
- 4) **STAROSTLIVÉ ZAOBCHÁDZANIE S ELEKTRICKÝM NÁRADÍM A JEHO POUŽÍVANIE**
 - a) **Náradie nepretahujte. Pre svoju prácu používajte určené elektrické náradie.** Pomocou vhodného ručného elektrického náradia budete môcť v uvedenom rozsahu výkonu pracovať lepšie a bezpečnejšie.

- b) **Nepoužívajte žiadne ručné elektrické náradie, ktoré má pokazený vypínač.** Ručné elektrické náradie, ktoré sa už nedá zapínať alebo vypínať, je nebezpečné a treba ho dať opraviť.
- c) **Skôr ako začnete náradie nastavovať alebo prestavovať, vymieňať príslušenstvo alebo skôr, ako odložíte náradie, vždy vyťiahnite zástrčku sieťovej šnúry zo zásuvky.** Toto bezpečnostné opatrenie zabraňuje neúmyselnému spusteniu náradia.
- d) **Nepoužívané ručné elektrické náradie uschovávajú mimo dosahu detí. Nedopusťte, aby ručné elektrické náradie používali osoby, ktoré s ním nie sú dôkladne oboznámené, alebo ktoré si neprečítali tento Návod na používanie.** Ak ručné elektrické náradie používajú neskúsené osoby, stáva sa nebezpečným nástrojom.
- e) **Elektrické náradie starostlivo ošetrte.**
 - a) **Skontrolujte, či pohyblivé súčiastky náradia bezchybne fungujú a neblukujú a či nie sú zlomené alebo poškodené niektoré súčiastky, ktoré by mohli negatívne ovplyvniť fungovanie ručného elektrického náradia. Pred použitím ručného elektrického náradia dajte poškodené súčiastky opraviť.** Nejednen úraz bol spôsobený zle udržiavaným náradím.
 - b) **Používané nástroje udržiavajte ostré a čisté.** Starostlivo ošetrované nástroje s ostrými reznými hranami sa menej často zablokujú a ich vedenie je podstatne ľahšie.
 - c) **Používajte ručné elektrické náradie, príslušenstvo, pracovné nástroje a pod, podľa týchto pokynov. Zohľadnite pritom konkrétne pracovné podmienky a činnosť, ktorú máte vykonať.** Používanie ručného elektrického náradia na iné ako určené účely môže viesť k nebezpečným situáciám.

5) SERVIS

- a) **Ručné elektrické náradie zverte do opravy len kvalifikovanému personálu a používajte len originálne náhradné súčiastky.** Tým sa zabezpečí zachovanie bezpečnosti ručného elektrického náradia.

BEZPEČNOSTNÉ POKYNY PRE UHLOVÉ BRÚSKY

- 1) **BEZPEČNOSTNÉ POKYNY PRE VŠETKY ČINNOSTI**
 - a) **Toto ručné elektrické náradie sa používa ako brúska, ako brúska na brúsenie skleneným papierom, ako drôtená kefa, a ako náradie na rezanie.** Respektujte všetky výstražné upozornenia, pokyny, obrázky a údaje, ktoré ste dostali s týmto ručným elektrickým náradím. Ak by ste nedodržali nasledujúce pokyny, mohlo by to mať za následok zásah elektrickým prúdom, vznik požiaru a/alebo vážne poranenie.
 - b) **Toto elektrické náradie nie je určené na leštenie.** Vykonávanie činnosti, na ktoré toto elektrické náradie nie je určené, môžu predstavovať nebezpečenstvo a spôsobiť zranenie.
 - c) **Nepoužívajte žiadne také príslušenstvo, ktoré nebolo výrobcom určené a odporúčané špeciálne pre toto pneumatické náradie.** Okolnosť, že príslušenstvo sa dá na toto ručné elektrické náradie upevniť, ešte neznamená, že to zaručuje jeho bezpečné používanie.

- d) **Prípustný počet obrátok pracovného nástroja musí byť minimálne taký vysoký ako maximálny počet obrátok uvedený na ručnom elektrickom náradí.** Príslušenstvo, ktoré sa otáča rýchlejšie, by sa mohlo zničiť.
- e) **Vonkajší priemer a hrúbka pracovného nástroja musia zodpovedať rozmerovým údajom uvedeným na ručnom elektrickom náradí náradí.** Nesprávne dimenzované pracovné nástroje môžu byť nedostatočne odclonené a kontrolované.
- f) **Pracovné nástroje, ktoré sú vybavené vložkou so závitom, musia presne pasovať na závit brúsneho vretena. Pri takých pracovných nástrojoch, ktoré sa montujú pomocou príruby, treba priemer otvoru pracovného nástroja prispôbiť upínaciu priemeru príruby.** Pracovné nástroje, ktoré nie sú presne upevnené do upínacieho mechanizmu ručného elektrického náradia, sa otáčajú nerovnomerne a intenzívne vibrujú, čo môže mať za následok stratu kontroly nad ručným elektrickým náradím.
- g) **Nepoužívajte žiadne poškodené pracovné nástroje. Pred každým použitím tohto ručného elektrického náradia skontrolujte, či nie sú pracovné nástroje, ako napr. brúsne kotúče, vyštrbené alebo vyloméné, či nemajú brúsne taniere vyloméné alebo trhliny alebo miesta intenzívneho potrebovania, či nie sú na drôtených kefách uvoľnené alebo polámané drôty. Keď ručné elektrické náradie alebo pracovný nástroj spadli na zem, prekontrolujte, či nie sú poškodené, alebo použite nepoškodený pracovný nástroj. Keď ste prekontrolovali a upli pracovný nástroj, zabezpečte, aby ste neboli v rovine rotujúceho nástroja, ani sa tam nenachádzali ani žiadne iné osoby, ktoré sú v blízkosti Vášho pracoviska, a nechajte ručné elektrické náradie bežať jednu minútu na maximálne obrátky.** Poškodené pracovné nástroje sa obvyčajne za tento čas testovania zlomia.
- h) **Používajte osobné ochranné prostriedky ④. Podľa druhu použitia náradia používajte ochranný štít na celú tvár, štít na oči alebo ochranné okuliare. Pokiaľ je to primerané, používajte ochrannú dýchaciu masku, chrániče sluchu, pracovné rukavice alebo špeciálnu zásteru, ktorá zadrží odletujúce drobné častice brusiva a obrábaného materiálu.** Predovšetkým oči treba chrániť pred odletujúcimi cudzími teleskami, ktoré vznikajú pri rôznom spôsobe používania náradia. Ochrana proti prachu alebo ochranná dýchacia maska predovšetkým odfiltrovať konkrétny druh prachu, ktorý vzniká pri danom druhu použitia náradia. Keď je človek dlhšiu dobu vystavený hlasnému huku, môže utrpieť stratu sluchu.
- i) **Zabezpečte, aby sa iné osoby nachádzali v bezpečnej vzdialenosti od Vášho pracoviska. Každá osoba, ktorá vstúpi do pracovného dosahu náradia, musí byť vybavená osobnými ochrannými pomôckami.** Úlomky obrobku alebo zlomený pracovný nástroj môžu odletieť a spôsobiť poranenie osôb aj mimo priameho pracoviska.
- j) **Držte elektrické náradie len za izolované plochy rukovätí, ak vykonávate takú prácu, pri ktorej by mohli použiť pracovný nástroj natrafiť na skryté**

elektrické vedenia alebo zasiahnuť vlastnú prívodnú šnúru náradia. Kontakt s elektrickým vedením, ktoré je pod napätím, môže dostať pod napätie aj kovové súčiastky náradia a spôsobiť zásah elektrickým prúdom.

- k) **Zabezpečte, aby sa prívodná šnúra nenachádzala v blízkosti rotujúcich pracovných nástrojov náradia.** Ak stratíte kontrolu nad ručným elektrickým náradím, môže sa prerušiť alebo zachytiť prívodná šnúra a Vaša ruka a Vaše predlaktie sa môžu dostať do rotujúceho pracovného nástroja.
- l) **Nikdy neodkladajte ručné elektrické náradie skôr, ako sa pracovný nástroj úplne zastaví.** Rotujúci pracovný nástroj sa môže dostať do kontaktu s odkladacou plochou, následkom čoho by ste mohli stratiť kontrolu nad ručným elektrickým náradím.
- m) **Nikdy nemajte ručné elektrické náradie zapnuté vtedy, keď ho prenášate na iné miesto.** Náhodným kontaktom Vašich vlasov alebo Vášho oblečenia s rotujúcim pracovným nástrojom by sa Vám pracovný nástroj mohol zavrtáť do tela.
- n) **Pravidelne čistite vetracie otvory svojho ručného elektrického náradia.** Ventilátor motora vtáhuje do telesa náradia prach a veľké nahromadenie kovového prachu by mohlo spôsobiť vznik nebezpečného zásahu elektrickým prúdom.
- o) **Nepoužívajte toto ručné elektrické náradie v blízkosti horľavých materiálov.** Odletujúce iskry by mohli tieto materiály zapáliť.
- p) **Nepoužívajte žiadne také pracovné nástroje, ktoré potrebujú chladenie kvapalinou.** Používanie vody alebo iných chladiacich prostriedkov môže mať za následok zásah elektrickým prúdom.
- 2) SPÄTNÝ RÁZ A VÝSTRAŽNÉ UPOZORNENIA**
- Spätný ráz je náhlu reakciou náradia na vzpričený, zaseknutý alebo blokujúci pracovný nástroj, napríklad brúsny kotúč, brúsny tanier, drôtená kefa a pod. Zaseknutie alebo zablokovanie vedie k náhlemu zastaveniu rotujúceho pracovného nástroja. Takýmto spôsobom sa nekontrolované ručné elektrické náradie rozkrúti na zablokovanom mieste proti smeru otáčania pracovného nástroja.
 - Keď sa napríklad brúsny kotúč vzpriechi alebo zablokuje v obrobku, môže sa hrana brúsneho kotúča, ktorá je zapichnutá do obrobku, zachytiť sa v materiáli a tým sa vylomiť z brúsneho taniera, alebo spôsobiť spätý ráz náradia. Brúsny kotúč sa potom pohybuje smerom k osobe alebo smerom preč od nej podľa toho, aký bol smer otáčania kotúča na mieste zablokovania. Brúsne kotúče sa môžu v takomto prípade aj rozlomiť.
 - Spätý ráz je následkom nesprávneho a chybného používania ručného elektrického náradia. Vhodnými preventívnymi opatreniami, ktoré popisujeme v nasledujúcim texte, mu možno zabrániť.
- a) **Ručné elektrické náradie vždy držte pevne a svoje telo a ruky udržiavajte vždy v takej polohe, aby ste vydržali prípadné spätý ráz náradia. Pri každej práci používajte prídavnú rukoväť, ak ju máte k dispozícii, aby ste mali čo najväčšiu kontrolu nad silami spätného rázu a reakčnými momentmi pri rozbehu náradia.** Pomocou vhodných opatrení môže obsluhujúca osoba sily spätného rázu a sily reakčných momentov zvládnuť.

b) **Nikdy nedávajte ruku do blízkosti rotujúceho pracovného nástroja.** Pri spätnom ráze by Vám mohol pracovný nástroj zasiahnuť ruku.

c) **Nemajte telo v priestore, do ktorého by sa mohlo ručné elektrické náradie v prípade spätného rázu vymrštiť.** Spätňý ráz vymršti ručné elektrické náradie v smere proti pohybu brúsneho kotúča na mieste blokovania.

d) **Mimoriadne opatrne pracujte v oblasti rohov, ostrých hrán a pod.** Zabráňte tomu, aby obrobok vymrštil pracovný nástroj proti Vám, alebo aby sa v ňom pracovný nástroj zablokoval. Rotujúci pracovný nástroj má sklon zablokovať sa v rohoch, na ostrých hranách alebo vtedy, keď je vyhodенý. To má za následok stratu kontroly alebo spätný ráz.

e) **Nepoužívajte list na pílenie dreva ani iný ozubený pilový list.** Takéto pracovné nástroje často spôsobujú spätný ráz alebo stratu kontroly nad ručným elektrickým náradím.

3) OSOBNÉ BEZPEČNOSTNÉ PREDPISY PRE BRÚSENIE A OPRACOVÁVANIE POVRCHOV BRÚSENÍM

a) **Používajte výlučne brúsne telesá schválené pre Vaše ručné elektrické náradie a ochranný kryt určený pre konkrétne zvolené brúsne teleso.** Brúsne telesá, ktoré neboli schválené pre dané ručné elektrické náradie, nemôžu byť dostatočne odčlenené a sú nespôahlivé.

b) **Lomené brúsne kotúče treba montovať tak, aby ich brúsna plocha neprečnievala cez rovinu okraja ochranného krytu.** Neodborne namontovaný brúsny kotúč, ktorý prečnieva cez rovinu okraja ochranného krytu, sa nedá dostatočne odčloniť.

c) **Ochranný kryt musí byť spoľahlivo upevnený priamo na pneumatikom náradí a musí byť nastavený tak, aby sa dosiahla maximálna miera bezpečnosti, t.j. brúsne teleso nesmie byť otvorené proti obsluhujúcej osobe.** Ochranný kryt musí chrániť obsluhujúcu osobu pred úlomkami brúsneho telesa a obrobku, náhodným kontaktom s brúsnym telesom a iskrami, ktoré by mohli zapáliť oblečenie.

d) **Brúsne telesá sa smú používať len pre odporúčanú oblasť používania.** Napr. : Nikdy nesmiete brúsiť bočnou plochou rezacieho kotúča. Rezacie kotúče sú určené na uberanie materiálu hranou kotúča. Bočné pôsobenie sily na tento kotúč môže spôsobiť ich zlomenie.

e) **Vždy používajte pre vybraný typ brúsneho kotúča nepoškodenú upínaciu prírubu správneho rozmeru a tvaru.** Vhodná prírubu podopiera brúsny kotúč a znižuje nebezpečenstvo zlomenia brúsneho kotúča. Príruba pre rezacie kotúče sa môžu odlišovať od prírub pre ostatné brúsne kotúče.

f) **Nepoužívajte žiadne opotrebované brúsne kotúče z väčšieho ručného elektrického náradia.** Brúsne kotúče pre väčšie ručné elektrické náradie nie sú dimenzované pre vyššie obrátky menších ručných elektrických náradí a môžu sa rozlomiť.

4) ĎALŠIE OSOBNÉ VYŠTRAŽNÉ UPOZORNENIA K REZACÍM KOTÚČOM

a) **Vyhýbajte sa zablokovaniu rezacieho kotúča alebo použitiu príliš veľkého prítlaku.** Nevykonaвайте

žiadne nadmierne hlboké rezy. Preťaženie brúsneho kotúča zvyšuje jeho namáhanie a náchylnosť na vzpriechenie alebo zablokovanie a tým zvyšuje aj možnosť vzniku spätného rázu alebo zlomenia brúsneho kotúča.

b) **Vyhýbajte sa priestoru pred rotujúcim rezacím kotúčom a za ním.** Keď pohybné rezacím kotúčom v obrobku smerom od seba, v prípade spätného rázu môže byť ručné elektrické náradie vymrštené rotujúcim kotúčom priamo na Vás.

c) **Ak sa rezací kotúč zablokuje, alebo ak prerušíte prácu, ručné elektrické náradie vypnite a pokojne ho držte dovtedy, kým sa rezací kotúč úplne zastaví. Nepokúšajte sa vyberať rezací kotúč z rezu vtedy, keď ešte beží, pretože by to mohlo mať za následok vyvolanie spätného rázu.** Zistite príčinu zablokovania rezacieho kotúča a odstráňte ju.

d) **Nikdy znova nezapínajte ručné elektrické náradie dovtedy, kým sa rezací kotúč nachádza v obrobku. Skôr ako budete opatrne pokračovať v reze, počkajte, kým dosiahne rezací kotúč maximálny počet obrátok.** V opačnom prípade sa môže rezací kotúč zaseknúť, vyskočiť z obrobku alebo vyvolať spätný ráz.

e) **Veľké platne pri rezaní podoprite, aby ste znížili riziko spätného rázu zablokovaním rezacieho kotúča.** Veľké obrobky sa môžu následkom vlastnej hmotnosti prehnúť. Obrobok treba podoprieť na oboch stranách, aj v blízkosti rezu aj v blízkosti hrany.

f) **Mimoriadne opatrený buďte pri rezaní do neznámych stien alebo do iných neprehľadných miest.** Zapichovaný rezací kotúč (zanorenie) môže pri zarezaní do plynového alebo vodovodného potrubia, do elektrického vedenia alebo iných objektov spôsobiť spätný ráz.

5) OSOBNÉ BEZPEČNOSTNÉ PREDPISY PRE BRÚSENIE BRÚSNYM PAPIEROM

a) **Nepoužívajte nadrozmerné brúsne listy, ale dodržiavajte údaje výrobcu o rozmeroch brúsnych listov.** Brúsne listy, ktoré presahujú okraj brúsneho taniera, môžu spôsobiť poranenie a viesť k zablokovaniu, alebo k roztrhnutiu brúsnych listov prípadne k spätnému rázu.

6) OSOBNÉ BEZPEČNOSTNÉ POKYNY PRE PRÁCU S DRÔTENÝMI KEFAMI

a) **Všimajte si, či z drôtené kefy nevypadávajú už počas obvyklého používania kúsky drôtu. Drôtenú kefu preto nepreťažujte prívelkým prítlakom.**

Odlietavajúce kúsky drôtu môžu ľahko preniknúť tenkým odevom a/alebo vniknúť do kože.

b) **Ak sa odporúča používanie ochranného krytu, zabráňte tomu, aby sa ochranný kryt a drôtená kefa mohli dotýkať.** Tanierové a miskovité drôtené kefy môžu následkom prítlačania a odstredivých síl zväčšiť svoj priemer.

VŠEOBECNE

- Tento stroj nie je vhodný pre brúsenie/rezanie za mokra
- Používajte len príruby, ktoré sú dodané s týmto nástrojom
- Tento nástroj by nemali používať osoby mladšie ako 16 rokov
- Pri nastavovaní alebo výmene príslušenstva vždy vytiahnite prívodný kábel zo zásuvky

PRÍSLUŠENSTVO

- SKIL zabezpečí hladký chod nástroja len ak sa používa pôvodné príslušenstvo
- **Používajte len brúsne/rezacie kotúče s maximálnou hrúbkou 8 mm a priemerom otvoru na hriadeľ 22 mm**
- Pri montáži/používaní iného príslušenstva ako SKIL si preštudujte pokyny daného výrobcu
- Nikdy nepoužívajte reduktory alebo adaptéry, aby ste mohli založiť brúsne/rezacie kotúče s väčším otvorom
- Nikdy nepoužívajte príslušenstvo so "slepým" otvorom so závitom, ktorý je menší ako M14 x 21 mm

POUŽITIE VONKU

- Pripojte nástroj cez stykačový istič poruchového prúdu (FI) s maximálnym spúšťacím prúdom 30 mA

PRED POUŽITÍM

- Pred použitím nástroja po prvý krát sa doporučuje obdržať praktické informácie
- Vždy skontrolujte či je napájacie napätie rovnaké ako napätie uvedené na štítku nástroja (nástroj s menovitým napätím 230V alebo 240V môžete pripojiť aj do siete s napätím 220V)
- Vždy namontujte pomocnú rúčku E ② a ochranný kryt F ⑦; nástroj bez nich nikdy nepoužívajte
- **Na vyhľadanie skrytých elektrických vedení, plynových a vodovodných potrubí použite vhodné hľadacie prístroje, alebo sa spojte s príslušným dodávateľom** (kontakt s elektrickým vedením môže mať za následok vznik požiaru alebo spôsobiť zásah elektrickým prúdom; poškodenie plynového potrubia môže spôsobiť výbuch; prevrtanie vodovodného potrubia spôsobí vecné škody, alebo môže spôsobiť zásah elektrickým prúdom)
- **Neobrábajte materiál, ktorý obsahuje azbest** (azbest sa považuje za rakovinotvorný materiál)
- Prach z materiálu, akým je náter obsahujúci olovo, niektoré druhy dreva, minerály a kovy môže byť škodlivý (styk alebo nádychanie prachu môže spôsobiť alergické reakcie a/alebo respiračné ochorenia obsluhy a okolostojacich osôb); **používajte ochrannú masku tváre a pracujte so zariadením na odsávanie prachu, ak je takéto zariadenie možné pripojiť**
- Určité druhy prachu sú klasifikované ako karcinogénne (akým dubový a bukový prach), a to hlavne v spojení s prísadami pre úpravu dreva; **používajte ochrannú masku tváre a pracujte so zariadením na odsávanie prachu, ak je takéto zariadenie možné pripojiť**
- Dodržujte stanovené nariadenia pre prácu v prašnom prostredí
- Buďte opatrný pri rezaní podpier, najmä pri rezaní oporných múrov (drážky v oporných múroch sú predmetom špecifických noriem platných pre danú krajinu; tieto normy sa musia za každých okolností preštudovať)
- **Zaistite obrábaný diel** (obrábaný diel uchytený pomocou upínacích zariadení alebo vo zveráku je oveľa bezpečnejší kým v ruke)
- Neupevňujte nástroj do zveráka
- Používajte úplne odmotanú a bezpečnú predžlovaciu šnúru s kapacitou 16 A

POČAS PRÁCE

- Ak je sieťová šnúra poškodená alebo ak sa prereže počas prevádzky, nedotýkajte sa jej ale ju ihneď odpojte z hlavnej elektrickej siete
- Nikdy nepoužívajte nástroj ak je šnúra poškodená; šnúru musí vymeniť kvalifikovaná osoba
- V prípade elektrickej alebo mechanickej poruchy zastavte okamžite nástroj a vytiahnite zástrčku z nástennej zásuvky
- V prípade prerušenia prúdu alebo pri náhodnom vytiahnutí sa šnúry zo zástrčky, okamžite vypnite vypínač zapnuté/vypnuté (on/off) H ②, aby ste zabránili náhodnému nekontrolovanému spusteniu nástroja

PO PRÁCI

- Po vypnutí nástroja nikdy nezastavujte rotáciu príslušenstva tak, že ho budete zastavovať priečnou silou proti nemu

POUŽITIE

- Upínacie zariadenia ②
 - ! **odpojte zástrčku**
 - vyčistite vreteno A a všetky časti, ktoré sa montujú
 - dotiahnite upínaciu prírubu B kľúčom C, pričom stlačíte gombík D na zaistenie vretena
 - ! **gombík D na zaistenie vretena stlačte až keď vreteno A zastane**
 - pri demontáži príslušenstva postupujte opačne
 - ! **počas práce sú brúsne/rezacie kotúče vepmi horúce; nedotýkajte sa ich, až kým nevychladnú**
 - ! **keď používate príslušenstvo na pieskovanie, vždy namontujte prídavnú podložku**
 - ! **nikdy nepoužívajte brúsne/rezacie kotúče bez nálepky, ktorá je na ne nalepená (ak ju máte k dispozícii)**
- Montáž pomocnej rukoväte E ⑥
 - ! **odpojte zástrčku**
 - priskrutkujte pomocnú rukoväť E na pravú, hornú alebo ľavú stranu nástroja (podľa práce, ktorá sa má vykonávať)
- Demontáž/montáž/nastavenie ochranného krytu F ⑦
 - ! **odpojte zástrčku**
 - ! **zabezpečte, aby uzatvorená strana ochranného krytu bola vždy natočená k operátorovi**
- Pred použitím nástroja
 - zabezpečte, aby príslušenstvo bolo správne namontované a pevne utiahnuté
 - skontrolujte či sa príslušenstvo voľne pohybuje tak, že ho pootočíte rukou
 - otestujte beh nástroja tak, že ho v bezpečnej polohe necháte bežať najmenej 30 sekúnd bez záťaže pri najvyšších otáčkach
 - v prípade, že sa objavia veľké vibrácie alebo iné vady, okamžite nástroj zastavte a skontrolujte ho, aby ste určili príčinu závady
- Blokovací vypínač na zapínanie/vypínanie (On/Off) H ⑧
 - zapnite nástroj ⑧a
 - ! **pozor na náhle trhnutie po zapnutí nástroja**
 - ! **predtým, ako sa príslušenstvo dostane na miesto obrábania, mal by nástroj bežať na plné otáčky**
 - vypínač zablokujte ⑧b
 - odblokujte vypínač/vypnite nástroj ⑧c

- ! pred vypnutím nástroja by ste ho mali zdvihnúť z miesta obrábania
- ! príslušenstvo ešte chvíľu po vypnutí nástroja otáča
- Brúsenie ⑨
 - pohybujte nástrojom dozadu a dopredu s miernym tlakom
 - ! nikdy nepoužívajte rezacie kotúče na bočné brúsenie
- Rezanie ⑩
 - pri rezaní nenakláňajte nástroj
 - nástrojom pohybujte vždy v rovnakom smere, ako ukazuje dípka na hlave nástroja, aby ste zabránili tomu, že sa nástroj z rezu vytlačí nekontrolovaným spôsobom
 - netlačte na nástroj; nechajte pracovať rýchlosť rezacieho kotúča
 - pracovná rýchlosť rezacieho kotúča závisí od materiálu, ktorý sa reže
 - nebrzdíte rezacie disky bočným tlakom
- Držanie a vedenie nástroja
 - vždy držte nástroj pevne obidvomi rukami, aby ste mali nástroj vždy plne pod kontrolou
 - ! počas práce vždy držte nástroj v oblasti sivého držadla (iel) ⑪
 - zaujmite bezpečnú polohu
 - venujte pozornosť smeru otáčania; nástroj držte vždy tak, aby iskry a prach z brúsenia/rezania dopadali mimo vášho tela
 - vetracie štrbiny J ⑫ udržiajte nezakryté

RADU NA POUŽITIE

- Namiesto príruby B ② sa môže použiť rýchloupínacia príruba "CLIC" (SKIL príslušenstvo 2610388766); brúsne/rezacie kotúče sa môžu potom namontovať bez použitia doplnkových kľúčov
- Viac rád nájdete na www.skil.com

ÚDRŽBA / SERVIS

- Tento nástroj nie je vhodný pre profesionálne použitie
- Nástroj a sieťovú šnúru udržiajte stále čisté (zvlášť vetracie štrbiny J ⑫)
- ! nepokúšajte sa ich čistiť dpciatými predmetmi tak, že ich cez vetracie štrbiny budete prestrkávať
- ! pred čistením odpojte z elektrickej siete
- Hladina emisii od vibrácií bola nameraná v súlade s normalizovaným testom uvedeným v norme EN 60745; môže sa používať na vzájomné porovnanie náradí a na predbežné posúdenie vystavenia účinkom vibrácií pri používaní náradia pre uvedené aplikácie
 - používanie náradia na rôzne aplikácie, alebo v spojení s rôznymi alebo nedostatočne udržiavanými doplnkami môže značne zvýšiť úroveň vystavenia
 - časové doby počas ktorých je je náradie vypnuté alebo počas ktorých náradie beží ale v skutočnosti nevykonáva prácu môžu značne znížiť úroveň vystavenia
- Ak by nástroj napriek starostlivej výrobe a kontrole predsa len prestal niekedy fungovať, treba dať opravu vykonať autorizovanej servisnej opravovni elektrického náradia SKIL
 - pošlite nástroj bez rozmontovania spolu s dôkazom o kúpe; vášmu dilerovi alebo do najbližšieho servisného strediska SKIL (zoznam adres servisných stredísk a servisný diagram nástroja sú uvedené na www.skil.com)

ŽIVOTNÉ PROSTREDIE

- Elektrické náradie, príslušenstvo a balenia nevyhadzujte do komunálneho odpadu (len pre štáty EÚ)
 - podľa európskej smernice 2002/96/EG o nakladaní s použitými elektrickými a elektronickými zariadeniami a zodpovedajúcich ustanovení právnych predpisov jednotlivých krajín sa použité elektrické náradie musí zbierať oddelene od ostatného odpadu a podrobiť ekologicky šetrnej recyklácii
 - pripomenie vám to symbol ⑫, keď ju bude treba likvidovať

VYHLÁSENIE O ZHODE CE

- Na vlastnú zodpovednosť vyhlasujeme, že dole popísaný výrobok "Technické údaje" sa zhoduje s nasledujúcimi normami alebo normatívnymi dokumentami: EN 60745, EN 61000, EN 55014 podľa ustanovení smerníc 2004/108/EG, 2006/42/EG, 2011/65/EU
- Súbor technickej dokumentácie sa nachádzajú na adrese: SKIL Europe BV (PT-SEU/ENG1), 4825 BD Breda, NL

Marijn van der Hoofden
Operations & Engineering

Olaf Dijkgraaf
Approval Manager




SKIL Europe BV, 4825 BD Breda, NL

05.08.2013

HLUKU/VIBRÁCIÁCH

- Merané podľa EN 60745 je úroveň akustického tlaku tohto nástroja 90 dB(A) a úroveň akustického výkonu je 101 dB(A) (štandardná odchýlka: 3 dB), a vibrácie sú * m/s² (metóda ruka - paža; nepresnosť K = 1,5 m/s²)
 - * pri brúsení povrchu 8,1 m/s²
 - * pri brúsení 6,2 m/s²
- ! ostatné aplikácie (ako napr. vyrezávanie alebo odhrdzovanie) môžu udávať iné hodnoty vibrácií
- Hladina emisii od vibrácií bola nameraná v súlade s normalizovaným testom uvedeným v norme EN 60745; môže sa používať na vzájomné porovnanie náradí a na predbežné posúdenie vystavenia účinkom vibrácií pri používaní náradia pre uvedené aplikácie
 - používanie náradia na rôzne aplikácie, alebo v spojení s rôznymi alebo nedostatočne udržiavanými doplnkami môže značne zvýšiť úroveň vystavenia
 - časové doby počas ktorých je je náradie vypnuté alebo počas ktorých náradie beží ale v skutočnosti nevykonáva prácu môžu značne znížiť úroveň vystavenia
- ! chráňte sa pred účinkami vibrácií tak, že budete náradie a jeho príslušenstvo správne udržiavať, tak že nebudete pracovať so studenými rukami a tak že si svoje pracovné postupy správne zorganizujete

UVOD

- Ovaj je uređaj predviđen za grubo brušenje, rezanje i skidanje srha na metalnim i kamenim materijalima, bez hlađenja vodom; s prikladnim priborom uređaj se može koristiti i za žičanje i normalno brušenje
- Ovaj uređaj nije namijenjen profesionalnoj upotrebi
- **Operacije rezanja s vezanim abrazivnim pločama za rezanje dopuštene su samo kada se koristi rezni branik (omogućen kao izborni dodatak za SKIL opremu br. 2610399439)**
- Pažljivo pročitajte i sačuvajte ove upute za rukovanje ③

TEHNIČKI PODACI ①

DIJELOVI ALATA ②

- A Vreteno
- B Stezna prirubnica
- C Stezač
- D Gumb za aretiranje vretena
- E Pomoćna drška
- F Sigurnosni štitnik
- G Montažna prirubnica
- H Blokadni prekidač uključeno/isključeno
- J Otvori za strujanje zraka

SIGURNOST

OPĆE UPUTE ZA SIGURAN RAD

PAŽNJA! Treba pročitati sve napomene o sigurnosti i upute. Ako se ne bi poštivale napomene o sigurnosti i upute to bi moglo uzrokovati strujni udar, požar i/ili teške ozljede. **Sačuvajte sve napomene o sigurnosti i upute za buduću primjenu.** U daljnjem tekstu korišten pojam "električni alat" odnosi se na električne alate s priključkom na električnu mrežu (s mrežnim kabelom) i na električne alate s napajanjem iz aku baterije (bez mrežnog kabela).

1) SIGURNOST NA RADNOM MJESTU

- a) **Vaše radno područje održavajte čisto i uredno.** Nered ili neosvijetljeno radno područje mogu doći do nezgoda.
- b) **S uređajem ne radite u okolini ugroženoj eksplozijom, u kojoj se nalaze zapaljive tekućine, plinovi ili prašina.** Električni alati proizvode iskre koje mogu zapaliti prašinu ili pare.
- c) **Djecu i ostale osobe držite dalje tijekom korištenja električnog alata.** Ako bi skrenuli pozornost sa posla mogli bi izgubiti kontrolu nad uređajem.

2) ELEKTRIČNA SIGURNOST

- a) **Priključni utikač uređaja treba odgovarati utičnici.** Na utikaču se ni u kojem slučaju ne smiju izvoditi izmjene. Ne koristite adapterske utikače zajedno sa uređajima koji su zaštićeni uzemljenjem. Originalni utikač i odgovarajuće utičnice smanjuju opasnost od električnog udara.

- b) **Izbjegavajte dodir tijela s uzemljenim površinama kao što su cijevi, centralno grijanje, štednjaci i hladnjaci.** Postoji povećana opasnost od električnog udara ako je vaše tijelo uzemljeno.
 - c) **Držite uređaj dalje od kiše ili vlage.** Prodiranje vode u električni uređaj povećava opasnost od električnog udara.
 - d) **Priključni kabel ne koristite za nošenje, vješanje ili za izvlačenje utikača iz utičnice.** Držite kabel dalje od izvora topline, ulja, oštih rubova ili pomičnih dijelova uređaja. Oštećen ili usukan kabel povećava opasnost od električnog udara.
 - e) **Ako s električnim uređajem radite na otvorenom, koristite samo produžni kabel odobren za uporabu na otvorenom.** Primjena produžnog kabela prikladnog za uporabu na otvorenom smanjuje opasnost od električnog udara.
 - f) **Ako se ne može izbjeći uporaba električnog alata u vlažnoj okolini, upotrijebite sigurnosna sklopka za propuštanje u zemlju.** Upotrebom sigurnosne sklopke za propuštanje u zemlju smanjuje se opasnost od električnog udara.
- 3) SIGURNOST LJUDI**
- a) **Budite oprezni, pazite što činite i postupajte razumno kod rada s električnim alatom. Ne koristite uređaj ako ste umorni ili pod utjecajem opojnih sredstava, alkohola ili lijekova.** Trenutak nepažnje kod uporabe uređaja može doći do ozbiljnih ozljeda.
 - b) **Nosite sredstva osobne zaštite i uvijek zaštitne naočale.** Nošenje sredstava osobne zaštite, kao što je zaštitna maska, sigurnosne cipele koje ne klize, zaštitne kacige ili štitnika za sluh, ovisno od vrste i primjene električnog alata, smanjuje opasnost od nezgoda.
 - c) **Izbjegavajte nehotično puštanje u rad. Prije nego što ćete utaknuti utikač u utičnicu i/ili staviti aku-bateriju, provjerite je li električni alat isključen.** Ako kod nošenja električnog alata imate prst na prekidaču ili se uključeni uređaj priključi na električno napajanje, to može dovesti do nezgoda.
 - d) **Prije nego što uređaj uključite, uklonite alate za podešavanje ili vijčane ključeve.** Alat ili ključ koji se nalazi u rotirajućem dijelu uređaja može doći do nezgoda.
 - e) **Ne precjenjujte svoje sposobnosti. Zauzmite siguran i stabilan položaj tijela i držite u svakom trenutku ravnotežu.** Na taj način možete uređaj bolje kontrolirati u neočekivanim situacijama.
 - f) **Nosite prikladnu odjeću. Ne nosite široku odjeću ili nakit.** Neka vaša kosa, odjeća i rukavice budu što dalje od pomičnih dijelova. Mlohavu odjeću, nakit ili dugu kosu mogu zahvatiti pomični dijelovi uređaja.
 - g) **Ako se mogu montirati naprave za usisavanje i hvatanje prašine, provjerite da li su iste priključene i da li se pravilno koriste.** Primjena naprave za usisavanje može smanjiti ugroženost od prašine.
- 4) BRIŽLJIVA UPORABA ELEKTRIČNIH ALATA**
- a) **Ne preopterećujte uređaj. Koristite za vaše radove za to predviđeni električni alat.** S odgovarajućim električnim alatom radit ćete bolje i sigurnije, u navedenom području učinka.
 - b) **Ne koristite električni alat čiji je prekidač neispravan.** Električni alat koji se više ne može uključiti ili isključiti, opasan je i treba se popraviti.

- c) Izvucite utikač iz mrežne utičnice i/ili izvadite aku-bateriju prije podešavanja uređaja, zamjene pribora ili odlaganja uređaja. Ovim mjerama opreza spriječit će se nehotično pokretanje uređaja.
 - d) Nekorištene električne alate spremite izvan doseg djece. Ne dopustite da uređaj koriste osobe koje s njim nisu upoznate ili koje nisu pročitale upute za uporabu. Električni alati su opasni ako ih koriste neiskusne osobe.
 - e) Uređaj održavajte s pažnjom. Kontrolirajte da li pomični dijelovi uređaja besprijekorno rade i da nisu zaglavljani, te da li su dijelovi polomljeni ili tako oštećeni da negativno djeluju na funkciju uređaja. Popravite oštećene dijelove prije uporabe uređaja. Mnoge nezgode imaju svoj uzrok u loše održanim uređajima.
 - f) Rezne alate održavajte ostrim i čistim. Pažljivo održavani rezni alati s ostrim oštricama neće se zaglaviti i lakši su za vođenje.
 - g) Koristite električne alate, pribor, radne alate, itd., prema navedenim uputama. Pri tome uzmite u obzir radne uvjete i radove koje se izvode. Uporaba električnih alata za neke druge primjene različite od predviđenih, može doći do opasnih situacija.
- 5) SERVIS**
- a) Popravak uređaja prepustite samo kvalificiranom stručnom osoblju i samo s originalnim rezervnim dijelovima. Na taj će se način postići održanje stalne sigurnosti uređaja.

UPUTE ZA SIGURAN RAD S KUTNOM BRUSILICOM

1) SIGURNOSNE UPUTE ZA SVE PRIMJENE

- a) Ovaj električni alat treba koristiti kao brusilicu, brusilicu s brusnim papirom, žičanu četku, ili uređaj za rezanje brušenjem. Pridržavajte se svih naputaka s upozorenjem, uputa, prikaza i podataka koje ste dobili s električnim alatom. Ako se ne bi pridržavali slijedećih uputa, moglo bi doći do električnog udara, požara i/ili teških ozljeda.
- b) Ne preporučuje se za grubo poliranje. Postupci za koje alat nije namijenjen mogu izazvati opasne situacije i ozljede.
- c) Ne koristite pribor koji proizvođač nije specijalno predvidio i preporučio za ovaj električni alat. Samo što ste pribor pričvrstili na vaš električni alat, ne jamči njegovu sigurnu primjenu.
- d) Dopusšteni broj okretaja radnog alata treba biti najmanje toliko velik kao maksimalni broj okretaja naveden na električnom alatu. Pribor koji bi se vrtio brže nego što je dopušteno, mogao bi se oštetiti.
- e) Vanjski promjer i debljina radnog alata moraju odgovarati dimenzionalnim podacima vašeg električnog alata. Pogrešno dimenzionirani radni alati ne mogu se dovoljno zaštititi ili kontrolirati.
- f) Radni alati s navojnim umetkom moraju točno odgovarati navoju brusnog vretena. Za radne alate koji se montiraju pomoću prirubnice, promjer perforacije radnog alata mora odgovarati promjeru stezanja prirubnice. Radni alati koji se ne pričvršćuju točno na električni alat, okreću se nejednolično, jako vibriraju i mogu dovesti do gubitka kontrole nad električnim alatom.

- g) Ne koristite oštećene radne alate. Kontrolirajte prije svake primjene radne alate kao što su brusne ploče na odlamanje komadića i na pukotine, brusne tanjure na pukotine, trošenje ili jaku istrošenost, žičane četke na popuštene ili odlomljene žice. Ako bi električni alat ili radni alat pao, provjerite da li je oštećen ili koristite neoštećeni radni alat. Kada radni alat imate pod kontrolom i kada s njim radite, držite ga tako da se druge osobe nađu izvan ravnine rotirajućeg radnog alata, i ostavite da se električni alat jednu minutu vrti s maksimalnim brojem okretaja. Oštećeni radni alati pucaju najčešće u ovo vrijeme ispitivanja.
- h) Nosite osobnu zaštitnu opremu ④. Ovisno od primjene koristite punu zaštitu lica, zaštitu očiju ili zaštitne naočale. Ukoliko je to primjerno, nosite masku za zaštitu od prašine, štitnik za sluh, zaštitne rukavice ili specijalnu pregaču, koja će vas zaštititi od manjih čestica od brušenja i materijala. Oči treba zaštititi od letećih stranih tijela, koja bi mogla nastati kod različitih primjena. Maska za zaštitu od prašine ili maska za disanje mora kod primjene filtrirati nastalu prašinu. Ako ste dulje vrijeme izloženi glasnoj buci, mogli bi doživjeti oštećenje sluha.
- i) Kada se radi o drugim osobama pazite na siguran razmak do vašeg radnog područja. Svatko tko bi stupio u radno područje, mora nositi osobnu zaštitnu opremu. Odlomljeni komadići izratka ili radnog alata mogu odletjeti i uzrokovati ozljede i izvan izravnog radnog područja.
- j) Električni alat držite samo na izoliranim površinama zahvata, kada radite na mjestima gdje bi svrdlo moglo oštetiti skrivene električne kablove ili vlastiti priključni kabel. Kontakt sa vodom pod naponom može i metalne dijelove električnog alata staviti pod napon i dovesti do strujnog udara.
- k) Mrežni kabel držite dalje od rotirajućih radnih alata. Ako ste izgubili kontrolu nad električnim alatom, mrežni kabel bi se mogao odrezati ili bi mogao biti zahvaćen, a vaše ruke bi mogao zahvatiti rotirajući radni alat.
- l) Električni alat nikada ne odlažite prije nego što se radni alat potpuno zaustavi. Rotirajući radni alat bi mogao zahvatiti površinu odlaganja, te bi moglo doći do gubitka kontrole nad radnim alatom.
- m) Ne dopustite da električni alat radi dok ga nosite. Kod slučajnog dodira vašu bi odjeću mogao zahvatiti rotirajući radni alat i ozlijediti vas.
- n) Redovito čistite otvore za hlađenje vašeg električnog alata. Ventilator motora uvlači prašinu u kućište, a veće nakupljanje metalne prašine može uzrokovati električne opasnosti.
- o) Električni alat ne koristite blizu zapaljivih materijala. Iskre mogu zapaliti ovaj materijal.
- p) Ne koristite radne alate koji zahtijevaju tekuće rashladno sredstvo. Primjena vode ili ostalih tekućih rashladnih sredstava može doći do električnog udara.

2) POVRATNI UDAR I ODGOVARAJUĆE NAPOMENE UPOZORENJA

- Povratni udar je iznenadna reakcija zbog zaglavljenoj ili blokiranog radnog alata u rotaciji, kao što su brusne ploče, brusni tanjuri, žičane četke, itd. Zaglavljivanje ili blokiranje dovodi do naglog zaustavljanja rotirajućeg

- radnog alata. Zbog toga će se nekontrolirani električni alat ubrzati suprotno smjeru rotacije radnog alata na mjestu blokiranja.
- Ako bi se npr. brusna ploča zaglavila ili blokirala u izratku, mogao bi se rub brusne ploče koji je zarezao u izradak zahvatiti i time odlomiti brusnu ploču ili uzrokovati povratni udar. Brusna ploča će se u tom slučaju pomaknuti prema osobi koja rukuje ili od nje, ovisno od smjera rotacije brusne ploče na mjestu blokiranja. Kod toga bi se brusne ploče mogle i odlomiti.
 - Povratni udar je posljedica pogrešne ili manjkave uporabe električnog alata. On se može spriječiti prikladnim mjerama opreza, kako je to opisano u daljnjem tekstu.
- a) **Električni alat držite čvrsto i dovedite vaše tijelo i ruke u položaj u kojem možete preuzeti sile povratnog udara. Ukoliko postoji, koristite uvijek dodatnu ručku, kako bi kod rada s uređajem imali najveću moguću kontrolu nad silama povratnog udara ili momentima reakcije.** Osoba koja rukuje uređajem može prikladnim mjerama opreza ovladati silama povratnog udara i silama reakcije.
 - b) **Vaše ruke nikada ne stavljajte blizu rotirajućeg radnog alata.** Radni alat bi se kod povratnog udara mogao pomaknuti preko vaše ruke.
 - c) **Izbjegavajte s vašim tijelom područje u kojem se električni alat pomiče kod povratnog udara.** Povratni udar potiskuje električni alat u smjeru suprotnom od pomicanja brusne ploče na mjestu blokiranja.
 - d) **Radite posebno oprezno u području uglova, oštih rubova, itd. Spriječite da se radni alat odbije natrag od izratka i uklještiti.** Rotirajući radni alat je na uglovima, oštrim rubovima ili kada bi odskočio, sklon uklještenju. To dovodi do gubitka kontrole nad uređajem ili povratnog udara.
 - e) **Ne koristite lančani ili nazubljeni list pile.** Takvi radni alati često uzrokuju povratni udar ili gubitak kontrole nad električnim alatom.
- 3) SIGURNOSNA UPOZORENJA SPECIFIČNA ZA BRUŠENJE I ABRAZIVNO REZANJE**
- a) **Koristite isključivo brusna tijela dopuštena za vaš električni alat i štitnik predviđen za ova brusna tijela.** Brusna tijela koja nisu predviđena za električni alat ne mogu se dovoljno zaštititi i nesigurna su.
 - b) **Brusne ploče s udubljenim središnjim dijelom moraju se tako montirati da njihova površina brušenja ne nadvisuje ravninu ruba štitnika.** Ne može se zadovoljavajuće zaštititi nestručno montirana brusna ploča koja strši iznad ravnine ruba štitnika.
 - c) **Štitnik mora biti sigurno pričvršćen na radnom alatu i mora biti tako namješten da se postigne maksimalna mjera sigurnosti, tj. da najmanji mogući dio brusnog tijela bude okrenut kao otvoren prema osobi koja rukuje uređajem.** Štitnik treba osobu koja rukuje zaštititi od odlomljenih komadića, slučajnog dodira s brusnim tijelom i iskrenja koje može zapaliti odjeću.
 - d) **Brusna tijela smiju se koristiti samo za preporučene vrste primjene.** Npr. nikada ne brusite s bočnom površinom brusne ploče za rezanje. Brusne ploče za rezanje su predviđene za skidanje materijala s rubom ploče. Bočno djelovanje sile na ova brusna tijela može ih odlomiti.

- e) **Koristite uvijek neoštećene stezne prirubnice, odgovarajuće veličine i oblika, za brusne ploče koje ste odabrali.** Prikladne prirubnice štite brusnu ploču i smanjuju opasnost od pucanja brusne ploče. Prirubnice za brusne ploče za rezanje mogu se razlikovati od prirubnica za ostale brusne ploče.
 - f) **Ne koristite istrošene brusne ploče sa većim električnih alata.** Brusne ploče za veće električne alate nisu predviđene za veći broj okretaja manjih električnih alata i mogu puknuti.
- 4) OSTALE POSEBNE NAPOMENE UPOZORENJA ZA BRUSNE PLOČE ZA REZANJE**
- a) **Izbjegavajte blokiranje brusne ploče za rezanje ili preveliki pritisak. Ne izvodite prekomjerno duboke rezove.** Preopterećenje brusne ploče za rezanje povećava njihovo naprezanje i sklonost nagibanju u rezu, a time i mogućnost povratnog udara ili loma brusne ploče.
 - b) **Izbjegavajte područje ispred i iza rotirajuće brusne ploče za rezanje.** Ako bi brusnu ploču za rezanje pomicali u izratku dalje od sebe, u slučaju povratnog udara električnog alata, rotirajuća ploča bi se mogla izravno odbaciti na vas.
 - c) **Ukoliko bi se brusna ploča za rezanje uklještila ili bi vi prekinuli rad, isključite električni alat i držite ga mirno sve dok se brusna ploča ne zaustavi.** Nikada ne pokušavajte brusnu ploču za rezanje koja se još okreće vaditi iz reza, jer inače može doći do povratnog udara. Ustanovite i otklonite uzrok uklještenja
 - d) **Nikada ponovno ne uključujte električni alat, sve dok se on nalazi u izratku. Dopustite da brusna ploča za rezanje postigne svoj puni broj okretaja, prije nego što oprezno nastavite sa rezanjem.** Inače bi se brusna ploča mogla zaglaviti, odskočiti iz izratka ili uzrokovati povratni udar.
 - e) **Oslonite ploče ili velike izratke, kako bi se umanjila opasnost od povratnog udara zbog uklještene brusne ploče za rezanje.** Veliki izraci mogu se saviti pod vlastitom težinom. Izradak se mora osloniti na obje strane i to kako blizu reza, tako i na rubu.
 - f) **Budite posebno oprezni kod zarezivanja u postojeće zidove ili u neka druga nevidljiva područja.** Brusne ploče za rezanje koje zarezuju, mogle bi kod zarezivanja plinskih ili vodovodnih cijevi, električnih vodova ili nekih drugih objekata uzrokovati povratni udar.
- 5) POSEBNE NAPOMENE UPOZORENJA ZA BRUŠENJE BRUSINOG PAPIROM**
- a) **Ne koristite predimenzionirane brusne listove nego se pridržavajte podataka proizvođača za veličinu brusnog lista.** Brusni listovi koji bi stršali izvan brusnog lista, mogu prouzročiti ozljede kao i doći do blokiranja, pucanja brusnog lista ili do povratnog udara.
- 6) POSEBNE NAPOMENE UPOZORENJA ZA RAD SA ŽIČANIM ČETKAMA**
- a) **Obratite pozornost da žičane četke i tijekom uobičajene uporabe gube komadiće žice. Ne preopterećujte žice prevelikim pritiskom.** Komadići žice koji odletaju mogu vrlo lako probiti tanku odjeću i/ili prodrijeti u kožu.
 - b) **Ako se preporučuje štitnik, spriječite da se štitnik i žičana četka mogu dodirnuti.** Tanjuraste i lončaste četke mogu zbog sile pritiska i centrifugalnih sila povećati svoj promjer.

OPĆENITO

- Ovaj uređaj nije pogodan za mokro brušenje/rezanje
- Uređaj koristiti samo sa isporučenom pribornicom
- Uređaj ne bi smjela koristiti osoba mlađe od 16 godina
- **Prije svih radova održavanja, podešavanja ili izmjene alata i pribora treba izvući utikač iz mrežne utičnice**

PRIBOR

- SKIL može osigurati besprijekoran rad uređaja samo ako se koristi originalni pribor
- **Upotrebljavajte samo brusne ploče za grubo brušenje/rezanje maksimalne debljine 8 mm i sa središnjom rupom promjera 22 mm**
- Kod primjene proizvoda drugih proizvođača, molimo pridržavati se njihovih uputa za uporabu
- Nikada ne koristite redukcijske komade ili adaptere, kako bi se prilagodila brusna ploča s većim otvorom
- Nikada ne koristite brusne ploče sa zatvorenim navojem ispod veličine M14 x 21 mm

UPORABA NA OTVORENOM

- Uređaj priključiti preko zaštitne sklopke struje kvara (FI), s okidačkom strujom od max. 30 mA

PRIJE UPORABE

- Prije prve uporaba uređaja preporučuje se zatražiti praktične informacije
- Uvijek provjerite je li napon napajanja isti kao onaj naveden na tipskoj pločici uređaja (uređaji označeni s 230V ili 240V mogu raditi i na 220V)
- Uvijek ugraditi bočnu ručku E ② štitnik F ②; uređaj nikada ne koristiti bez njih
- **Koristite prikladne uređaje za traženje napona kako bi se pronašli skriveni napojni vodovi ili se savjetujte s lokalnim distributerom** (kontakt s električnim vodovima mogao bi doći do požara i električnog udara; oštećenje plinske cijevi moglo bi dovesti do eksplozije; probijanje vodovodne cijevi uzrokuje materijalne štete ili može uzrokovati električni udar)
- **Ne obrađujte materijal koji sadrži azbest** (azbest se smatra kancerogenim)
- Prašina od materijala kao što su boje koje sadrže olovo, neke vrste drveća, minerali i metal mogu biti opasne (dodir s prašinom ili njeno udisanje mogu prouzročiti alergične reakcije i/ili respiratorna oboljenja rukovatelja ili posmatrača); **nosite masku za zaštitu od prašine i radite s uređajem za ekstrakciju prašine ukoliko ga možete priključiti**
- Odredene vrste prašine klasificiraju se kao karcinogenske (kao što su prašina hrastovine i bukovine), osobito u sudejstvu s aditivima za kondicioniranje drveta; **nosite masku za zaštitu od prašine i radite s uređajem za ekstrakciju prašine ukoliko ga možete priključiti**
- Nacionalni uvjeti za materijale s kojima želite raditi
- Kod izrezivanja utora treba se oprezno postupati, osobito u nosivim zidovima (uzdužne rupe u nosivim zidovima su predmet lokalnih propisa kojih se treba strogo pridržavati)
- **Osigurajte izradak** (izradak je sigurnije pričvršćen pomoću stezaljke ili škripa nego da ga držite rukom)
- Ne pritežite uređaj u škripac
- Upotrebljavajte samo neodmotane i zaštićene produžne kabele kapaciteta 16 ampera

TIJEKOM UPORABE

- Ako se tijekom rada priključni kabel ošteti ili odreže, ne dirati priključni kabel, nego odmah izvući mrežni utikač
- Nikad ne upotrebljavajte alat kad su kabel oštećeni; neka iz zamijeni kvalificirana osoba
- U slučaju neobičajenog ponašanja uređaja ili neobičnih šumova, uređaj treba odmah isključiti i izvući utikač iz mrežne utičnice
- Kod prekida opskrbe strujom ili nehotičnog izvlačenja utikača iz mrežne utičnice, odmah treba blokirati prekidač za uključivanje/isključivanje H ②, kako bi se spriječilo nekontrolirano pokretanje uređaja

NAKON UPORABE

- Nakon što isključite uređaja, vrtnju rotirajućih dijelova nikad ne zadržavajte primjenom bočne sile

POSLUŽIVANJE

- Montirajte/skinite brusnu ploču ②
 - ! **izvući mrežni utikač**
 - očistiti vreteno A i sve montirane dijelove
 - steznu maticu B stegnuti račvastim ključem C, uz pritisak na gumb za aretiranje vretena D
 - ! **pritisnite gumb za aretiranje vretena D samo kada je vreteno A u mirovanju**
 - kod skidanja pribora postupiti obrnutim redoslijedom
 - ! **brusne ploče za grubo brušenje/rezanje se tijekom uporabe jako zagriju; ne dirati ih nego ih ostaviti da se ohlade**
 - ! **kada koristite pribor za brušenje montirajte uvijek brusni tanjur**
 - ! **brusnu ploču za grubo brušenje/rezanje nikada ne koristiti bez štitnika (ukoliko postoji)**
- Montiranje pomoćne ručka E ⑥
 - ! **izvući mrežni utikač**
 - zavijte pomoćnu ručku E na desnu ili lijevu stranu alata ili na vrh (ovisno o poslu koji ćete obavljati)
- Skidanje/montiranje/namještanje sigurnosnog štitnika F ⑦
 - ! **izvući mrežni utikač**
 - ! **osigurati da zatvorena strana štitnika bude uvijek okrenuta prema osobi koja radi s uređajem**
- Prije uporabe vašeg uređaja
 - osigurajte da pribora bude ispravno montirana i čvrsto stegnuta
 - rukom provjeriti slobodnu rotaciju pribore
 - provesti probni rad, tako da pribora može najmanje 30 sekundi rotirati s najvećom brzinom
 - kod većih vibracija ili drugih neispravnosti, uređaj odmah isključiti i pronaći moguće uzroke
- Prekidač za aretiranje uključivanja/isključivanja H ⑧
 - uređaj uključiti ⑧a
 - ! **treba paziti na iznenadni trzaj kod uključivanja uređaja**
 - ! **prije nego što pribora zareže izradak, treba se postići max. broj okretaja**
 - prekidač aretirati ⑧b
 - osloboditi aretiranje/uređaj isključiti ⑧c
 - ! **prije isključivanja alata, isti se treba skinuti sa izratka**
 - ! **nakon isključivanja uređaja brusna ploča se još uvijek okreće nekoliko sekundi**

- Rezanje ⑨
 - uređaj umjerenim pritiskom pomicati naprijed i natrag
 - ! **brusna ploča za rezanje ne smije se koristiti za bočno brušenje**
- Grubo brušenje ⑩
 - uređaj ne nagibati
 - uređaj uvijek voditi u istom smjeru, kako prikazuje strelica na glavi uređaja, kako bi se spriječilo da se uređaj na nekontroliran način istisne iz područja zahvata
 - na uređaj ne djelovati prevelikim pritiskom
 - radni broj okretaja ploče za rezanje ovisi od rezanog materijala
 - ploču za rezanje ne kočiti bočnim pritiskom
- Držanje i vođenje uređaja
 - uređaj čvrsto držite s obje ruke, kako bi ga uvijek imali pod kontrolom
 - ! **alat kod primjene, držati samo na sivo označenim područjima ⑪**
 - paziti na siguran i stabilan položaj tijela
 - paziti na smjer rotacije; uređaj uvijek tako držati da iskretnje i prašina od brušenja leti dalje tijela
 - otvore za strujanje zraka J ⑫ držite nepokriveno

SAVJETI ZA PRIMJENU

- Umjesto stezne matice B ⑫ može se primijeniti "CLIC" brzostežuća matica (SKIL pribor 2610388766); brusne ploče za grubo brušenje/rezanje mogu se u tom slučaju ugraditi bez posebnog ključa
- Dodatne savjete možete naći na adresi www.skil.com

ODRŽAVANJE / SERVISIRANJE

- Ovaj uređaj nije namijenjen profesionalnoj upotrebi
- Održavajte čistim uređaj i kabel (osobito otvore za hlađenje J ⑫)
 - ! **ne pokušavajte tako čistiti da oštar predmet stavljate kroz proreze**
 - ! **prije čišćenja treba izvući mrežni utikač**
- Ako bi uređaj unatoč brižljivih postupaka izrade i ispitivanja ipak prestao raditi, popravak treba prepustiti ovlaštenom servisu za SKIL električne alate
 - uređaj treba **nerastavljeno** predati, zajedno s računom o kupnji u najbližu SKIL ugovornu servisnu radionicu (popise servisa, kao i oznake rezervnih dijelova uređaja možete naći na adresi www.skil.com)

ZAŠTITA OKOLIŠA

- **Električne alate, pribor i ambalažu ne bacajte u kućni otpad** (samo za EU-države)
 - prema Europskoj direktivi 2002/96/EG o staroj električnoj i električnoj opremi i njenoj primjeni u skladu sa nacionalnim zakonom, istrošeni električni alati moraju se sakupljati odvojeno i odvesti u posebne pogone za reciklažu
 - na to podsjeća simbol ⑬ kada se javi potreba za odlaganjem

DEKLARACIJA O SUKLADNOSTI CE

- Izjavljujemo uz punu odgovornost da je ovaj proizvod opisan u "Tehnički podaci" usklađen sa slijedećim normama ili normativnim dokumentima: EN 60745, EN 61000, EN 55014, prema odredbama smjernica 2004/108/EG, 2006/42/EG, 2011/65/EU
- **Tehnička dokumentacija se može dobiti kod:** SKIL Europe BV (PT-SEU/ENG1), 4825 BD Breda, NL

Marijn van der Hoofden
Operations & Engineering

Olaf Dijkgraaf
Approval Manager




SKIL Europe BV, 4825 BD Breda, NL

05.08.2013

BUCI/VIBRACIJAMA

- Mjereno prema EN 60745 prag zvučnog tlaka ovog električnog alata iznosi 90 dB(A) a jakost zvuka 101 dB(A) (standardna devijacija: 3 dB), a vibracija * m/s² (postupkom na šaci-ruci; nesigurnost K = 1,5 m/s²)
 - * prilikom brušenja 8,1 m/s²
 - * prilikom pjeskarenja 6,2 m/s²
 - ! **ostale primjene (kao rezanje ili četkanje) mogu imati drugačije vrijednosti vibracija**
- Razina emitiranja vibracija izmjerena je sukladno normiranom testu danom u EN 60745; ona se može koristiti za usporedbu jedne alatke s drugom, te preliminarnu procjenu izloženosti vibracijama pri uporabi alatke za navedene namjene
 - uporaba ove alatke za druge namjene ili s drugim ili slabo održavanim nastavcima, može u značajnoj mjeri **uvećati** razinu izloženosti
 - vrijeme tokom kojega je alatka isključena, ili je uključena ali se njome ne radi, može značajno **umanjiti** razinu izloženosti
- ! **zaštitite se od posljedica vibracija održavanjem alatke i njezinih nastavaka, održavanjem Vaših ruku toplima, te organiziranjem Vaših obrazaca rada**

(SRB)

Ugaona brusilica

9176

UPUTSTVO

- Ovaj alat je namenjen za brušenje i sečenje materijala od metala i kamena, bez upotrebe vode; uz upotrebu odgovarajućeg pribora ovaj alat može da se koristi i za četkanje i brušenje
- Ovaj alat nije namenjen za profesionalnu upotrebu
- **Operacije rezanja pomoću abrazivnih diskova za rezanje dozvoljene su samo kada se koristi štitnik za rezanje (može se nabaviti kao opcioni SKIL dodatak 2610399439)**
- Pažljivo pročitajte i sačuvajte ova uputstva za rukovanje

⑭

TEHNIČKI PODACI ①

ELEMENTI ALATA ②

- A Vreteno
- B Spone štitnik
- C Ključ
- D Dugme za zaključavanje vretana
- E Pomoćna ručica
- F Štitnik
- G Podloška štitnik
- H Prekidač za zaključavanje za uključivanje/isključivanje
- J Prorezi za hlađenje

SIGURNOST

OPŠTA UPUTSTVA O SIGURNOSTI

PAŽNJA! Čitajte sva upozorenja i uputstva. Propusti kod pridržavanja upozorenja i uputstava mogu imati za posledicu električni udar, požar i/ili teške povrede. **Čuvajte sva upozorenja i uputstva za budućnost.** Pojam upotrebljen u upozorenjima "električni alat" odnosi se na električne alate sa radom na mreži (sa mrežnim kablom) i na električne alate sa radom na akumulator (bez mrežnog kabla).

1) SIGURNOST NA RADNOM MESTU

- a) **Držite Vaše područje rada čisto i pospremljeno.** Nered ili neosvetljena radna područja mogu voditi nesrećama.
- b) **Ne radite sa aparatom u okolini ugroženoj od eksplozija u kojoj se nalaze zapaljive tečnosti, gasovi ili prašine.** Električni alati proizvode varnice, koje mogu zapaliti prašinu ili isparenja.
- c) **Za vreme korišćenja električnog alata držite podalje decu i druge osobe.** Kod skretanja možete izgubiti kontrolu nad aparatom.

2) ELEKTRIČNA SIGURNOST

- a) **Utikač za priključak aparata mora odgovarati utičnoj kutiji.** Utikač se nesme nikako menjati. **Ne upotrebljavajte adaptere utikača zajedno sa aparatima sa uzemljenom zaštitom.** Ne promenjeni utikači i odgovarajuće utičnice smanjuju rizik od električnog udara.
- b) **Izbegavajte telesni kontakt sa uzemljenim gornjim površinama, kao što su cevi, grejanja, šporeti i rashladni ormani.** Postoji povećani rizik od električnog udara, ako je Vaše telo uzemljeno.
- c) **Držite aparat podalje od kiše ili vlage.** Prodiranje vode u električni aparat povećava rizik od električnog udara.
- d) **Ne koristite kabl da bi aparat nosili, obesili ili ga izvlačili iz utičnice.** Držite kabl dalje od vreline, ulja, oštih ivica ili pokretnih delova aparata. Oštećeni ili zamršeni kablovi povećavaju rizik od električnog udara.
- e) **Ako sa nekim električnim alatom radite u prirodi, upotrebljavajte samo produžne kablove koji su dozvoljeni za spoljno područje.** Upotreba produžnog kabla pogodnog za spoljno područje smanjuje rizik od električnog udara.
- f) **Ako rad električnog alata ne može da se izbegne u vlažnoj okolini, koristite prekidač strujne zaštite pri**

kvaru. Upotreba prekidača strujne zaštite pri kvaru smanjuje rizik od električnog udara.

3) SIGURNOST OSOBA

- a) **Budite pažljivi, pazite na to, šta radite i idite razumno na posao sa električnim alatom. Ne upotrebljavajte aparat, kada ste umorni ili pod uticajem droga, alkohola ili lekova.** Momenat nepažnje kod upotrebe aparata može voditi do ozbiljnih povreda.
 - b) **Nosite ličnu zaštitnu opremu i uvek zaštitne naočare.** Nošenje lične zaštitne opreme, kao maske za prašinu, sigurnosne cipele koje ne klizaju, zaštitni šlem ili zaštitu za sluh, zavisno od vrste i upotrebe električnog alata, smanjujete rizik od povreda.
 - c) **Izbegavajte nenamerno puštanje u rad. Uverite se da je električni alat isključen, pre nego što ga priključite na struju i/ili na akumulator, uzmete ga ili nosite.** Ako prilikom nošenja električnog alata držite prst na prekidaču ili aparat uključujete na struju, može ovo voditi nesrećama.
 - d) **Uklonite alate za podešavanje ili ključeve za zavrtnje, pre nego što uključite aparat.** Alat ili ključ koji se nalazi u delu aparata koji se okreće, može voditi povredama.
 - e) **Ne poverite sebe. Pobrnite se da sigurno stojite i održavajte u svako doba ravnotežu.** Na taj način možete bolje kontrolisati aparat u neočekivanim situacijama.
 - f) **Nosite pogodno odelo. Ne nosite široko odelo ili nakit. Držite kosu, odelo i rukavice podalje od pokretnih delova.** Opušteno odelo, nakit ili duža kosa mogu biti zahvaćeni od rotirajućih delova.
 - g) **Ako se mogu montirati uređaji za usisavanje prašine i uređaji za hvatanje prašine, uverite se da li su priključeni i ispravno koriste.** Upotreba usisavanja prašine može smanjiti opasnosti od prašine.
- #### 4) BRIZLJIVO OPHODJENJE I KORIŠĆENJE ELEKTRIČNIH ALATA
- a) **Ne preopterećujte aparat. Upotrebljavajte za Vaš posao električni alat odredjen za to.** Sa odgovarajućim električnim alatom radićete bolje i sigurnije u navedenom području rada.
 - b) **Ne upotrebljavajte električni alat, čiji je prekidač u kvaru.** Električni alat koji više ne može da se uključi ili isključi je opasan i mora da se popravi.
 - c) **Izvućite utikač iz utičnice i/ili uklonite akumulator pre nego što preduzmete podešavanja na aparatu, promenu delova pribora ili ostavite aparat.** Ova mera opreza sprečava nenamernan start aparata.
 - d) **Čuvajte nekorišćene električne alate izvan domašaja dece. Ne dopustite osobama da koriste aparat, koje ga ne poznaju ili nisu pročitali ova uputstva.** Električni alati su opasni, ako ih koriste neiskusne osobe.
 - e) **Održavajte aparat brizljivo. Kontrolišite, da li pokretni delovi aparata funkcionišu besprekorno i ne slepljuju, da li su delovi slomljeni ili tako oštećeni, da je funkcija aparata oštećena. Popravite oštećene delove pre upotrebe aparata.** Mnoge nesreće imaju svoj uzrok u loše održanim električnim alatima.

- f) **Držite alate za sečenja oštre i čiste.** Brižljivo negovani alati za sečenje sa oštrim sečivima manje slepljuju i lakše se vode.
- g) **Upotrebljavajte električne alate, pribor, alate koji se umeću itd. prema ovim uputstvima.** Obratite pažnju pritom na uputstva za rad i posao koji treba izvesti. Upotreba električnih alata za druge od propisanih namena može voditi opasnim situacijama.
- 5) **SERVIS**
- a) **Neka Vam Vaš aparat popravlja samo kvalifikovano stručno osoblje i samo sa originalnim rezervnim delovima.** Na taj način se obezbeđuje da ostane sačuvana sigurnost aparata.

UPUTSTVA ZA BEZBEDAN RAD SA UGAONOM BRUSLICOM

1) UPUTSTVA ZA BEZBEDAN RAD ZA SVE PRIMENE

- a) **Ovaj električni pribor se može upotrebiti kao brusilica, brusilica čmirlig papiru, žičana četka, i mašina za brušenje sa presecanjem.** Obratite pažnju na sva upozorenja, uputstva, prikaze i podatke, koje dobijate sa električnim priborom. Ako ne obraćate pažnju na sledeća uputstva, može doći do električnog udara, požara i / ili teških povreda.
- b) **Ovaj električni uređaj se ne preporučuje za poliranje.** Postupci za koje električni uređaj nije predviđen mogu da prouzrokuju opasnost i povredu.
- c) **Ne upotrebljavajte pribor koji od proizvođača nije specijalno predviđen i preporučen za ovaj električni pribor.** Samo zato što možete pribor pričvrstiti na Vašem električnom priboru ne garantuje sigurnu upotrebu.
- d) **Dozvoljeni broj obrtaja upotrebljenog pribora mora najmanje da bude velik, koliko i navedeni najveći obrtaji na električnom priboru.** Pribor koji se okreće brže od dozvoljenog, može se uništiti.
- e) **Spoljni presek i debljina upotrebljenog pribora moraju odgovarati mernim podacima Vašeg električnog pribora.** Pogrešno izmeren upotrebljeni pribor ne može se dovoljno zaštititi ili kontrolisati.
- f) **Upotrebljeni alati sa navojem moraju tačno odgovarati navoju brusnog vretena.** Kod upotrebljenih alata, koji se montiraju pomoću pribornice, mora presek otvora upotrebljenog alata da odgovara preseku prihvatna na pribornici. Upotrebljeni alati koji se ne pričvršćuju tačno na električnom alatu, se okreću neravnomerno, vibriraju veoma jako i mogu uticati na gubitak kontrole.
- g) **Ne koristite oštećene upotrebljene pribore.** Pre svakog korišćenja prokontrolišite upotrebljene pribore da li su zacepljeni i naprsli, brusni diskovi naprsli, izlizani ili jako pohabani, žičane četke da li imaju slobodnih ili polomljenih žica. **Ako električni pribor ili upotrebljeni pribor padne dole, prokontrolišite da li je oštećen ili upotrebljavajte neoštećen pribor.** Ako ste uzeli pribor prokontrolisali i upotrebili, držite se kao i osobe koje se nalaze u blizini izvan ravni upotrebljenog pribora koji se okreće i pustite električni pribor da jedan minut radi sa najvećim obrtajima. Oštećeni upotrebljeni pribori uglavnom se u ovom vremenu probe lome.

- h) **Nosite ličnu zaštitnu opremu ④. Koristite zavisno od namene zaštitu za celo lice, zaštitu za oči ili zaštitne naočare.** Ako odgovara nosite masku za prašinu, zaštitu za sluh, zaštitne cipele ili specijalnu kecelju, koja će male čestice od brušenja i materijala držati dalje od Vas. Oči moraju biti zaštićene od stranih tela koja lete oko, koja nastaju kod raznih upotreba. Maska za prašinu i maska za disanje moraju filtrirati prašinu koja nastaje prilikom upotrebe. Ako ste izloženi dugoj galami, možete izgubiti sluh.
- i) **Pazite kod drugih osoba na sigurno rastojanje do Vašeg radnog područja. Svako, ko udje u radno područje, mora nositi ličnu zaštitnu opremu.** Polomljeni delovi radnog komada ili polomljeni upotrebljeni pribori mogu leteti i prouzkovati povrede i izvan direktnog radnog područja.
- j) **Držite električni alat samo za izolovane hvataljke kada izvodite radove kod kojih upotrebljeni alat može da susretne skrivene vodove struje ili vlastiti mrežni kabl.** Kontakt sa jednim vodom koji sprovodi struju može da stavi pod napon metalne delove uređaja i da utiče na električni udar.
- k) **Držite podalje mrežni kabl od rotirajućeg upotrebljenog pribora.** Ako izgubite kontrolu nad električnim priborom, može se preseći mrežni kabl ili može da zahvati i Vaša ruku ili Vaša šaka dospeti u električni pribor koji se okreće.
- l) **Ne ostavljajte nikada električni pribor pre nego se upotrebljeni pribor potpuno umiri.** Električni pribor koji se okreće može doći u kontakt sa površinom za odlaganje, usled čega se može izgubiti kontrola nad električnim priborom.
- m) **Ne ostavljajte električni pribor da radi, dok ga nosite.** Vaše odelo može biti zahvaćeno slučajnim kontaktom sa električnim priborom koji se okreće i upotrebljeni pribor može se zabit u Vaše telo.
- n) **Čistite redovno proreze za ventilaciju Vašeg električnog pribora.** Motorna duvaljka vuče prašinu u kućište i veće sakupljanje metalne prašine može prouzrokovati električnu opasnost.
- o) **Ne upotrebljavajte električni pribor u blizini zapaljivih materijala.** Varnice mogu zapaliti ove materijale.
- p) **Ne koristite upotrebljene pribore koji zahtevaju tečna rashladna sredstva.** Upotreba vode ili drugih tečnih rashladnih sredstava može voditi električnom udaru.

2) POVRATNI UDARAC I ODGOVARAJUĆA UPOZORENJA

- Povratni udarac je iznenadna reakcija usled rotirajućeg upotrebljenog pribora koji zapinje ili blokira, kao brusna ploča, brusni disk, žičana četka itd. Zakačivanje ili blokiranje vode do zaustavljanja sa trzajem rotirajućeg električnog pribora. Na taj način se nekontrolisani električni pribor ubrzava u pravcu smera okretanja električnog pribora na mestu blokade.
- Ako naprimer neka brusna ploča zapinje ili blokira u radnom komadu, može se ivica brusne ploče koja uranja u radni komad uvrtati i usled toga brusna ploče prouzrokovati lomljenje ili povratan udarac. Brusna ploča se onda kreće na osobu koja radi ili od nje, zavisno od

smera okretanja ploče na mestu blokiranja. Pritom se brusne ploče mogu i slomiti.

- Povratan urarac je posledica pogrešne ili manjkave upotrebe električnog pribora. On se može sprečiti pogodnim merama opreza, kao što je dalje opisano.
- a) **Držite čvrsto električni pribor i dovedite Vaše telo i Vaše ruke u poziciju, u kojoj možete prihvatiti sile povratnog udara. Upotrebljavajte uvek dodatnu dršku, ako postoji, da bi imali što više moguću kontrolu nad silama povratnog udara ili nad reakcionim momentom u visokim obrtajima.** Radnik može savladati pogodnim merama opreza sile povratnog udara i reakcije.
- b) **Ne gurajte nikada Vašu ruku u blizinu rotirajućeg upotrebljenog pribora.** Upotrebljeni pribor se može kod povratnog udara kretati preko Vaše ruke.
- c) **Izbegavajte sa Vašim telom područje, u koje bi se kod povratnog udara električni pribor kretao.** Povratan udarac tera električni pribor u pravcu suprotnom od kretanja brusne ploče na blokiranoj strani.
- d) **Radite posebno oprezno u području uglova, oštih ivica itd. Sprečite da se upotrebjeni pribori odbiju od radnog komada i „slepe“.** Rotirajući upotrebljeni pribor naginje kod uglova, oštih ivica ili ako se odbije, tome, da „slepljuje“. Ovo prouzrokuje gubitak kontrole ili povratan udarac.
- e) **Ne koristite lančani ili nazubljeni list testere.** Takvi upotrebljeni pribori prouzrokuju često povratan udarac ili gubitak kontrole nad električnim priborom.

3) POSEBNA UPOZORENJA SPECIFIČNA ZA BRUŠENJE I ABRAZIVNO SEČENJE

- a) **Isključivo koristite brusni pribor dozvoljen za Vaš električni pribor i zaštitnu haubu predviđenu za ovaj brusni pribor.** Brusni pribori koji nisu predviđeni kao električni pribor, ne mogu se dovoljno zaštititi i nesigurni su.
- b) **Brusne ploče sa udubljenim centralnim delom se moraju tako montirati da njihova površina brušenja ne strši iznad ravni ivice zaštitne kape.** Ne može se propisno zaštititi nestručno montirana brusna ploča koja strši iznad ravni ivice zaštitne kape.
- c) **Zaštitna hauba mora biti sigurno nameštena na električnom priboru i tako podešena, da se postiže najveća sigurnost, odnosno da se najmanji mogući deo od brusnog pribora pokazuje prema radniku.** Zaštitna hauba treba radnika da zaštiti od otkinutih komada, slučajnog kontakta sa materijalom za brušenje i varnicama koje bi mogle zapaliti odeću.
- d) **Brusni pribori se smeju upotrebiti samo za preporučene upotrebne mogućnosti.** Naprimera: Ne brusite nikada sa bočnom površinom neke ploče za presecanje. Ploče za presecanje su određene za skidanje materijala sa ivicom ploče. Bočno delovanje sile na ove materijale za brušenje može ih slomiti.
- e) **Koristite uvek neoštećenu zateznu prirubnicu prave veličine i oblika za Vašu izabranu brusnu ploču.** Pogodne prirubnice čuvaju brusnu ploču i smanjuju opasnost lomova brusne ploče. Prirubnica za ploče za presecanje može se raslikovati od prirubnice za druge brusne ploče.
- f) **Ne koristite istrošene brusne ploče većih električnih pribora.** Brusne ploče za veće električne pribore nisu

konstruisane za veće obrtaje manjih električnih pribora i mogu se slomiti.

4) DALJA POSEBNA UPOZORENJA ZA PLOČE ZA PRESECANJE

- a) **Izbegavajte blokiranje ploče za presecanje ili suviše veliki pritisak. Ne izvodite preterano duboka sečenja.** Preopterećenje ploče za presecanje povećava njeno opterećenje i učestalost da se oskreće ili blokira i tako i mogućnost povratnog udara ili lomljenja brusnog pribora.
 - b) **Izbegavajte područje ispred i iza rotirajuće ploče za rasecanje.** Ako ploču za presecanje pokrećete u radnom komadu od sebe, može se u slučaju povratnog udara električni pribor sa rotirajućom pločom direktno odbiti nazad.
 - c) **Ako se ploča za presecanje zaglavi ili Vi prekidate rad, isključite električni pribor i držite ga mirno, sve dok se ploča ne umiri. Ne pokušavajte nikada da ploču za presecanje koja se okreće izvučete iz reza, jer može uslediti povratan udarac.** Pronađite i sprečite uzrok zaglavlivanja.
 - d) **Ne uključujte električni pribor ponovo dokle god se nalazi u radnom komadu. Pustite da ploča za presecanje postigne svoje pune obrtaje, pre nego što oprezno nastavite dalje sečenje.** U drugom slučaju može ploča zakačiti, iskočiti iz radnog komada ili prouzrokovati povratan udarac.
 - e) **Učvrstite ploče ili velike radne komade da bi smanjili rizik povratnog udara usled zaglavljenе ploče za presecanje.** Veliki radni komadu mogu se izvijati pod svojom sopstvenom težinom. Radni komad se mora podupreti na obe strane, kako u blizini presecanja tako i na ivici.
 - f) **Budite posebno oprezni kod „džepnih preseka“ u postojećim zidovima ili drugim nevidljivih područjima.** Uranjajuća ploča za presecanje može kod sečenja gasovoda ili vodova vode, električnih vodova ili drugih objekata prouzrokovati povratan udarac.
- ### 5) POSEBNA UPOZORENJA ZA BRUŠENJE ŠMIRL PAPIROM
- a) **Ne koristite nikakve predimenzionisane brusne listove, posebno držite se podataka proizvođača u pogledu veličine lista za brušenje.** Brusni listovi, koji su veći od brusnog diska mogu prouzrokovati povrede kao i blokiranje, kidanje brusnih listova ili voditi povratnom udarcu.
- ### 6) POSEBNA UPOZORENJA ZA RAD SA ŽIČANOM ČETKOM
- a) **Obratite pažnju na to, da žičana četka i za vreme uobičajene upotrebe gubi komade žice. Ne preopterećujte žice suviše velikim pritiskom.** Leteći komadi žice mogu vrlo lako prodreti kroz tanko odelo i / ili kožu.
 - b) **Ako se preporučuje zaštitna hauba, sprečite, da se zaštitna hauba i žičana četka mogu dodirivati.** Tanjiraste i lončaste četke mogu pritiskivanjem i centrifugalnim silama povećati svoj presek.

OPŠTA

- Ovaj alat nije podesan za mokro brušenje i sečenje
- Koristite samo obode koje ste dobili uz ovaj alat
- Ovaj alat ne treba da koriste osobe ispod 16 godina

- **Obavezno iskopčajte alat iz električne utičnice pre nego što izvršite bilo kakva podešavanja ili zamenu pribora**

PRIBOR

- SKIL može priznati garanciju samo ukoliko je korišćen originalni pribor
- **Koristite samo diskove za brušenje ili sečenje maksimalne debljine 8 mm čiji je otvor za vreteno prečnika 22 mm**
- Za postavljanje i korišćenje pribora koji nisu SKIL, pogledajte uputstva proizvođača
- Nemojte da koristite reduktore ili adaptere da biste stavili diskove za brušenje ili sečenje sa prevelikim otvorom
- Nikada ne koristite pribor sa otvorom sa "slepim" navojem manjim od M14 x 21 mm

KORIŠĆENJE NA OTVORENOM

- Priključite električni alat pomoću automatskog prekidača za ispad struje (FI) jače od 30 mA

PRE UPOTREBE

- Pre prvog korišćenja električnog alata, preporučuje se da dobijete praktične informacije
- Uvek se uverite da je napon struje isti kao i napon naveden na pločici sa nazivom alatu (alati na kojima je naveden napon od 230V ili 240V mogu da rade i na 220V)
- Obavezno postavite pomoćnu ručicu E ② i štitnika F ②; alat nemojte nikada da koristite bez njih
- **Koristite odgovarajuće aparate za proveru dali se u zidu koji bušimo nalaze skrivene instalacije, ili za taj posao nađite odgovarajuće preduzeće** (kontakt sa električnim vodovima može izazvati požar ili električni udar; oštećenje gasovoda može izazvati eksploziju; probijanje cevi sa vodom uzrokuje štete ili može izazvati električni udar)
- **Ne obradjujte nikakav materijal koji sadrži azbest** (azbest vazi kao izazivač raka)
- Prašina od materijala, kao što su boja koja sadrži olovo, neke vrste drveta, minerali i metal, može biti opasna (dodir ili udisanje prašine može prouzrokovati alergijske reakcije i/ili respiratorna oboljenja rukovaoca i lica u blizini); **nosite masku protiv prašine i radite uz uključeni uređaj za ekstrakciju prašine kada radite na mestima gde ju je moguće priključiti**
- Određene vrste prašine su klasifikovane kao kancerogene (kao što su prašina hrastovine i bukovine), posebno u sadejstvu sa aditivima za pripremu drveta; **nosite masku protiv prašine i radite uz uključeni uređaj za ekstrakciju prašine kada radite na mestima gde ju je moguće priključiti**
- Prati nacionalne propise vezane za prašinu koja se proizvodi prilikom rada na obrađivanim materijalima
- Budite pažljivi pri brušenju utora, naročito na nosećim zidovima (utori na nosećim zidovima su u skladu sa propisima određenih država; ovi propisi obavezno moraju da se pregledaju i zato se)
- **Obezbedite radni predmet** (radni predmet stegnut pomoću stega ili nečeg sličnog je mnogo stabilniji neko kada se drži rukom)
- Nemojte da pričvršćujete alat u stegu
- Produžni kabl koji koristite mora da bude sasvim odmotan i siguran, sa kapacitetom od 16 A

TOKOM UPOTREBE

- Ako se kabl ošteti ili preseče u toku rada, odmah ga iskopčajte i nemojte ga dodirivati
- Nikada nemojte da koristite alat ako je kabl oštećen; zamenu kabla mora da obavi stručno lice
- U slučaju da dođe do električnog ili mehaničkog kvara, odmah isključite alat i iskopčajte ga iz utičnice
- Ukoliko dođe do nestanka struje ili ako se utikač slučajno izvuče, odmah otključajte prekidač za uključivanje/isključivanje H ②, da biste sprečili nekontrolisano ponovno pokretanje

NAKON UPOTREBE

- Nakon isključivanja električnog alata, nikada nemojte da zaustavljate obrtanje pribora primenom bočne sile

UPUTSTVO ZA KORIŠĆENJE

- Postavljanje pribora ②
 - ! **iskopčajte utikač**
 - očistite vreteno A i sve delove koje ćete postaviti
 - pričvrstite spone štitnika B pomoću ključa C dok pritiskate dugme za zaključavanje vretena D
 - ! **dugme za zaključavanje vretena D pritisnite kada se vreteno A sasvim zaustavi**
 - za skidanje pribora držati naopacke
 - ! **diskovi za brušenje/sečenje se veoma ugriju prilikom upotrebe; nemojte da ih dodirujete dok se potpuno ne ohlade**
 - ! **pri korišćenju pribora za suvo brušenje uvek postavite zaštitnu podlogu**
 - ! **nemojte nikada da koristite diskove za brušenje/sečenje bez oznake koja je nalepljena na disk (ako postoji)**
- Postavljanje pomoćnu ručicu E ⑥
 - ! **iskopčajte utikač**
 - pričvrstite pomoćnu ručicu E sa desne strane, na vrhu, ili sa leve strane alata (u zavisnosti od vrste rada)
- Skidanje/postavljanje/podešavanje štitnika F ⑦
 - ! **iskopčajte utikač**
 - ! **vodite računa da zatvorena strana štitnika uvek bude okrenuta ka operateru**
- Pre korišćenja električnog alata
 - proverite da li je pribor ispravno postavljen i snažno pričvršćen
 - proverite da li pribor može da se pomera, tako što ćete ga ručno pokrenuti
 - probno pokrenite alat najmanje 30 sekundi na najvećoj brzini pri praznom hodu i u sigurnom položaju
 - odmah prekinite rad ukoliko dođe do većih vibracija ili drugih nepravilnosti u radu i pregledajte alat, da biste odredili uzrok
- Prekidač za zaključavanje uključivanja/isključivanja H ⑧
 - uključite alat ⑧a
 - ! **obratite pažnju na trzaj alata prilikom uključivanja**
 - ! **alat bi trebalo da radi u punoj brzini pre nego što pribor dodirne područje rada**
 - zaključajte prekidač ⑧b
 - otključajte prekidač/isključite alat ⑧c
 - ! **uređaj treba da ga podignete sa područja rada pre nego što ga isključite**
 - ! **pribor se okreće još neko vreme nakon što se električni alat isključi**

- Brušenje ⑨
 - pomerajte električni alat napred-nazad uz lagani pritisak
 - ! **nikada nemojte da koristite disk za sečenje za bočno brušenje**
- Sečenje ⑩
 - pri sečenju nemojte da naginjete alat
 - uvek pomerajte električni alat u pravcu strelice na vrhu alata, da biste sprečili da alat nekontrolisano sklizne iz reza
 - nemojte da pritiskate električni alat; pustite da disk za sečenje sâm radi
 - radna brzina diska za sečenje zavisi od materijala koji se seče
 - nemojte bočnim pritiskom da slomite disk za sečenje
- Držanje i upravljanje alata
 - električni alat uvek snažno držite obema rukama, tako da u svakom trenutku imate punu kontrolu nad njim
 - ! **dok radite, uvek držite alat za mesto(a) koje(a) su označena sivom bojom** ⑪
 - uvek budite u sigurnom stavu
 - obratite pažnju na smer rotacije; električni alat uvek držite tako da varnice i prašina od brušenja/sečenja lete u pravcu suprotnom od tela
 - prerezi za hlađenje J ② moraju da budu otvoreni

SAVETI ZA PRIMENU

- Umesto štitnika B ② može da se koristi "CLIC" štitnik za brzo postavljanje (SKIL pribor 2610388766); diskovi za brušenje/sečenje moraju da se postave bez korišćenja ključeva pribora
- Za više saveta pogledajte www.skil.com

ODRŽAVANJE / SERVIS

- Ovaj alat nije namenjen za profesionalnu upotrebu
- Alat i kabl uvek održavajte čistim (posebno otvore za hlađenje J ②)
 - ! **ne pokušavajte da očistite preoze za hlađenje umetanjem oštih predmeta kroz otvore**
 - ! **pre čišćenja iskopčajte kabl iz utičnice**
- Ako bi alat i pored brižljivog postupka izrade i kontrole nekada otkazao, popravku mora vršiti neki autorizovani servis za SKIL-električne alate
 - pošaljite **nerastavljeni** alat zajedno sa potvrdom o kupovini vašem nabavljaču ili najbližem SKIL servisu (adrese i oznake rezervnih delova možete naći na www.skil.com)

ZAŠTITA OKOLINE

- **Električne alate, pribora i ambalaže ne odlažite u kućne otpatke** (samo za EU-države)
 - prema Europskoj direktivi 2002/96/EG o staroj električnoj i elektronskoj opremi i njenoj upotrebi u skladu sa nacionalnim pravom, električni alati koji su istrošeni moraju biti sakupljeni odvojeno i dostavljeni pogonu za reciklažu
 - simbol ⑫ će vas podsetiti na to

DEKLARACIJA O USKLAĐENOSTI CE

- Izjavljujemo na vlastitu odgovornost da je pod "Tehnički podaci" opisani proizvod usaglašen sa sledećim standardima ili normativnim aktima: EN 60745, EN 61000, EN 55014 prema odredbama smernica 2004/108/EG, 2006/42/EG, 2011/65/EU
- **Tehnička dokumentacija kod:** SKIL Europe BV (PT-SEU/ENG1), 4825 BD Breda, NL

Marijn van der Hoofden
Operations & Engineering

Olaf Dijkgraaf
Approval Manager




SKIL Europe BV, 4825 BD Breda, NL

05.08.2013

BUKA/VIBRACIJE

- Mereno u skladu sa EN 60745 nivo pritiska zvuka ovog alata iznosi 90 dB(A) a jačina zvuka 101 dB(A) (normalno odstupanje: 3 dB), a vibracija * m/s² (mereno metodom na šaci-ruci; nesigurnost K = 1,5 m/s²)
 - * tokom površinskog brušenja 8,1 m/s²
 - * tokom suvo brušenja 6,2 m/s²
- ! **druge aplikacije (sečenje ili brušenje žičanom četkom) mogu imati različite vrednosti intenziteta vibracija**
- Nivo emisije vibracija izmeren je u skladu sa standardizovanim testom datim u EN 60745; on se može koristiti za upoređenje jedne alatke sa drugom, kao i za preliminarnu procenu izloženosti vibracijama pri korišćenju ove alatke za pomenute namene
 - korišćenje alatke u drugačije svrhe ili sa drugačijim ili slabo održavanim nastavcima može značajno **povećati** nivo izloženosti
 - vreme kada je alatka isključena ili kada je uključena, ali se njome ne radi, može značajno **smanjiti** nivo izloženosti
- ! **zaštitite se od posledica vibracija održavanjem alatke i njenih nastavaka, održavajući Vaše ruke toplim i organizovanjem Vaših radnih obrazaca**

(SLO)

Kotni brusilnik

9176

UVOD

- Orodje je namenjeno brušenju in rezanju kovine in kamna brez uporabe vode; z uporabo primernega pribora je orodje uporabno tudi za krtačenje in brušenje
- Orodje ni namenjeno profesionalni uporabi
- **Rezanje z armiranimi brusnimi/rezalnimi koluti je dovoljeno le ob uporabi rezalnega ščita (na voljo kot opcjska dodatna oprema SKIL 2610399439)**
- Preberite in shranite navodila za uporabo ③

TEHNIČNI PODATKI ①

DELI ORODJA ②

- A Vreteno
- B Prirobna matica
- C Ključ za vreteno
- D Gumb za blokado vretena
- E Pomožna ročka
- F Varnostni ščit
- G Nameščena prirobnica
- H Vklopno/izklopno aretirno stikalo
- J Ventilacijske reže

VARNOST

SPLOŠNA VARNOSTNA NAVODILA

⚠ OPOZORILO! Preberite vsa opozorila in napotila.

Napake zaradi neupoštevanja spodaj navedenih opozoril in napotil lahko povzročijo električni udar, požar in/ali težke telesne poškodbe. **Vsa opozorila in napotila shranite, ker jih boste v prihodnje še potrebovali.** Pojem "električno orodje", ki se pojavlja v nadaljnjem besedilu, se nanaša na električna orodja z električnim pogonom (z električnim kablom) in na akumulatorska električna orodja (brez električnega kabla).

1) VARNOST NA DELOVNEM MESTU

- a) **Poskrbite, da bo Vaše delovno mesto vedno čisto in urejeno.** Nered ali neosvetljena delovna področja lahko povzročijo nezgode.
- b) **Prosimo, da orodja ne uporabljate v okolju, kjer je nevarnost za eksplozije in v katerem se nahajajo gorljive tekočine, plini in prah.** Električna orodja povzročajo iskre, zato se gorljivi prah ali pare lahko vnamejo.
- c) **Ne dovolite otrokom in drugim osebam, da bi se medtem ko delate, približali električnemu orodju.** Druge osebe lahko odvrnejo Vašo pozornost drugam in izgubili boste nadzor nad orodje.

2) ELEKTRIČNA VARNOST

- a) **Vtič mora ustrezati električni vtičnici in ga pod nobenim pogojem ne smete spreminjati.** Uporaba adapterskih vtičev v kombinaciji z ozemljena orodja ni dovoljena. Originalni oziroma nespremenjeni vtiči in ustrezne vtičnice zmanjšujejo tveganje električnega udara.
- b) **Izogibajte se telesnemu stiku z ozemljenimi površinami, na primer s cevmi, grelci, štedilniki in hladilniki.** Če je ozemljeno tudi vaše telo, obstaja povečano tveganje električnega udara.
- c) **Zavarujte orodje pred dežjem ali vlago.** Vdor vode v električno orodje povečuje tveganje električnega udara.
- d) **Električnega kabla ne uporabljajte za prenašanje ali obežanje orodja in ne vlečite vtič iz vtičnice tako, da vlečete za kabel.** Zavarujte kabel pred vročino, oljem, ostrimi robovi in premikajočimi se deli orodja. Poškodovani ali prepleteni kabli povečujejo tveganje električnega udara.
- e) **Če z električnim orodjem delate na prostem, uporabljajte izključno kabelski podaljšek, ki je atestiran za delo na prostem.** Uporaba kabelskega podaljška, primerne za delo na prostem, zmanjšuje tveganje električnega udara.

- f) **Če je uporaba električnega orodja v vlažnem okolju neizogibna, uporabljajte prekinjevalec električnega tokokroga.** Prekinjevalca električnega tokokroga zmanjšuje tveganje električnega udara.

3) OSEBNA VARNOST

- a) **Bodite zbrani in pazite, kaj delate. Dela z električnim orodjem se lotite razumno. Nikoli ne uporabljajte orodja, če ste utrujeni in če ste pod vplivom mamil, alkohola ali zdravil.** En sam trenutek nepazljivosti pri uporabi orodja ima lahko za posledico resne telesne poškodbe.
 - b) **Uporabljajte osebna zaščitna sredstva in vedno nosite zaščitna očala.** Uporaba osebnih zaščitnih sredstev, na primer maske proti prahu, nedersečih zaščitnih čevljev, zaščitne čelade in glušnikov, odvisno od vrste in uporabe električnega orodja, zmanjšuje tveganje telesnih poškodb.
 - c) **Izogibajte se nenamernemu zagonu. Pred priključitvijo električnega orodja na električno omrežje in/ali na akumulator in pred dviganjem ali nošenjem se prepričajte, če je električno orodje izklopljeno.** Prenašanje naprave s prstom na stikalu ali priključitev vklopljenega električnega orodja na električno omrežje je lahko vzrok za nezgodo.
 - d) **Pred vklopom orodja odstranite z nje nastavitvena orodja ali vijaki ključ.** Orodje ali ključ, ki se nahajata na vrtečem se delu električnega orodja, lahko povzročita nezgodo.
 - e) **Ne precenjujte se in poskrbite za varno stojišče in stalno ravnotežje.** Tako boste lahko v nepričakovani situaciji bolje obvladali orodje.
 - f) **Nosite primerno obleko, ki naj ne bo preohlapna. Ne nosite nakita. Lasje, oblačila in rokavice naj se ne približujejo premikajočim se delom orodja.** Premikajoči se deli orodja lahko zgrabijo ohlapno obleko, nakit, ali dolge lase.
 - g) **Če je možno na orodje namestiti priprave za odsesavanje in prestrzanje prahu, prepričajte se, ali so le-te priključene in, če jih pravilno uporabljate.** Uporaba priprave za odsesavanje prahu zmanjšuje zdravstveno ogroženost zaradi prahu.
- #### 4) RAVNANJE IN NEGA ROČNEGA ORODJA
- a) **Ne preobremenjujte orodja. Za določeno delo uporabljajte električno orodje, ki je predvideno za opravljanje tega dela.** Z ustreznim električnim orodjem boste delo opravili bolje in varneje, ker je bilo v ta namen tudi konstruirano.
 - b) **Električno orodje, ki ima pokvarjeno stikalo, ne uporabljajte.** Električno orodje, ki ga ni možno vklopiti ali izklopiti, je nevarno in ga je potrebno popraviti.
 - c) **Pred nastavljanjem naprave, zamenjavo delov pribora ali odlaganjem naprave izvlecite vtič iz električne vtičnice in/ali odstranite akumulator.** Ta previdnostni ukrep onemogoča nepredviden zagon orodja.
 - d) **Kadar orodja ne uporabljate ga shranjujte izven dosega otrok. Osebam, ki orodja ne poznajo ali niso prebrale teh navodil, orodja ne dovolite uporabljati.** Električna orodja so nevarna, če jih uporabljajo neizkušene osebe.
 - e) **Skrbno negujte orodje. Preverite, če premikajoči se deli orodja delujejo brezhibno in če se ne zatikajo,**

oziroma, če kakšen del orodja ni zlomljen ali poškodovan do te mere, da bi oviral njegovo delovanje. Pred nadaljnjo uporabo je potrebno poškodovani del popraviti. Vzrok za številne nezgode so ravno slabo vzdrževana električna orodja.

- f) **Rezalna orodja naj bodo ostrá in čistá.** Skrbno negovana rezalna orodja z ostrimi rezili se manj zatikajo in so boljše deljiva.
- g) **Električna orodja, pribor, nastavke in podobno uporabljajte v skladu s temi navodili.** Pri tem upoštevajte delovne pogoje in vrsto dela, ki ga nameravate opraviti. Zaradi uporabe električnega orodja v druge, nepredvidene namene, lahko nastanejo nevarne situacije.

5) SERVIS

- a) **Popravilo orodja lahko opravi samo usposobljena strokovna oseba in to izključno z originalnimi nadomestnimi deli.** Le tako bo ohranjena nadaljnja varnost orodja.

VARNOSTNA NAVODILA ZA KOTNE BRUSILNIKE

1) VARNOSTNA NAVODILA ZA VSE DELOVNE OPERACIJE

- a) **To električno orodje se lahko uporablja za brušenje, brušenje z brusnim papirjem, brušenje z žično ščetko, ter kot rezalni stroj.** Upoštevajte vsa opozorila, navodila, slikovne prikaze in podatke, ki ste jih prejeli skupaj z električnim orodjem. Zaradi nespoštovanja spodaj navedenih navodil lahko pride do električnega udara, požara in/ali težkih telesnih poškodb.
- b) **Orodje ni primerno za poliranje.** Uporaba električnega orodja v nepredvidene namene lahko privede do nevarnih situacij in telesnih poškodb.
- c) **Ne uporabljajte pribora, ki ga proizvajalec za to orodje ni specialno predvidel in katerega uporabe ne priporoča.** Zgolj dejstvo, da lahko nek pribor pritrđite na Vaše električno orodje, še ne zagotavlja varne uporabe.
- d) **Dovoljeno število vrtljajev vsadnega orodja mora znašati najmanj toliko, kolikor znaša najvišje število vrtljajev, ki je navedeno na električnem orodju.** Pribor, katerega hitrost vrtenja je večja od dovoljene, se lahko pokvari.
- e) **Zunanji premer in debelina vsadnega orodja morata ustrezati meram Vašega električnega orodja.** Napačno dimenzioniranih vsadnih orodij ne boste mogli dovolj dobro zavarovati ali nadzorovati.
- f) **Vstavna orodja z navojnim vstavkom morajo natančno ustrezati navoju brusilnega vretena.** Pri vstavnih orodjih, ki se montirajo s pomočjo prirobnice, mora premer luknje vstavnega orodja natančno ustrezati premeru prirobnice. Vstavna orodja, ki jih ne pritrđite povsem natančno na električno orodje, se vrtijo neenakomerno, močno vibrirajo in lahko vodijo k izgubi nadzora nad orodjem.
- g) **Ne uporabljajte poškodovanih vsadnih orodij. Pred vsako uporabo preglejte brusilne kolote, če se ne luščijo oziroma če nimajo razpok, brusilne krožnike, če nimajo razpok oziroma če niso močno obrabljeni ali izdrbljeni, žične ščetke pa, če nimajo zrahljanih ali odlobljenih žic. Če pade električno orodje ali vsadno orodje na tla, pogledjte, če ni poškodovano in**

uporabljajte samo nepoškodovana vsadna orodja. Po kontroli in vstavljanju vsadnega orodja se ne zadržujte v ravnini vrtečega se vsadnega orodja, kar velja tudi za druge osebe v bližini. Električno orodje naj eno minuto deluje z najvišjim številom vrtljajev. Poškodovana vsadna orodja se največkrat zlomijo med tem poizkusnim časom.

- h) **Uporabljajte osebno zaščitno opremo (4).** Odvisno od vrste uporabe si natakните zaščitno masko čez cel obraz, zaščito za oči ali zaščitna očala. Če je potrebno, nosite zaščitno masko proti prahu, zaščitne glušnike, zaščitne rokavice ali specialni predpasnik, ki Vas bo zavaroval pred manjšimi delci materiala, ki nastajajo pri brušenju. Oči je treba zavarovati pred tujki, ki nastajajo pri različnih vrstah uporabe orodja in letijo naokrog. Zaščitna maska proti prahu ali dihalna maska morata filtrirati prah, ki nastaja pri uporabi. Predolgo izpostavljanje glasnemu hrupu ima lahko za posledico izgubo sluha.
- i) **Pazite, da bodo druge osebe varno oddaljene od Vašega delovnega območja. Vsak, ki stopi na delovno območje, mora nositi osebno zaščitno opremo.** Odlomljeni delci obdelovanca ali zlomljena vsadna orodja lahko odletijo stran in povzročijo telesne poškodbe, tudi izven neposrednega delovnega območja.
- j) **Prijemajte električno orodje samo za izolirane ročaje, če delate na območju, kjer lahko vstavljeno orodje pride v stik s skritimi omrežnimi napeljavami ali lastni omrežni kabel.** Stik z napeljavo, ki je pod napetostjo povzroči, da so posledično tudi kovinski deli orodje pod napetostjo in to vodi do električnega udara.
- k) **Omrežnega kabla ne približujte vrtečemu se vsadnemu orodju.** Če izgubite nadzor nad električnim orodjem, lahko orodje prereže ali zagrabi kabel, Vaša roka pa zaide v vrteče se vsadno orodje.
- l) **Ne odlagajte električnega orodja, dokler se vsadno orodje popolnoma ne ustavi.** Vrteče se vsadno orodje lahko pride v stik z odlagalno površino, zaradi česar lahko izgubite nadzor nad električnim orodjem.
- m) **Električno orodje naj medtem, ko ga prenašate naokrog, ne deluje.** Vrteče se vsadno orodje lahko zaradi naključnega kontakta zagrabi Vaše oblačilo in se zavrtá v Vaše telo.
- n) **Prezračevalne reže električnega orodja morate redno čistiti.** Ventilator motorja povleče v ohišje prah in velika količina nabanenega prahu je lahko vzrok za električno nevarnost.
- o) **Ne uporabljajte električnega orodja v bližini gorljivih materialov.** Ti materiali se lahko zaradi iskrenja vnamejo.
- p) **Ne uporabljajte vsadnih orodij, ki za hlajenje potrebujejo tekočino.** Uporaba vode ali drugih tekočin lahko povzroči električni udar.
- 2) POVRATNI UDAREC IN USTREZNA OPOZORILA**
- Povratni udarec je nenadna reakcija, ki nastane zaradi zagodenja ali blokiranja vrtečega se vsadnega orodja, na primer brusilnega koluta, brusilnega krožnika, žične ščetke in podobnega. Zagodenje ali blokiranje ima za posledico takojšnjo ustavitve vrtečega se vsadnega orodja. Nekontrolirano električno orodje se zaradi tega pospešeno premakne v smer, ki je nasprotna smeri vrtenja vsadnega orodja.

- Če se na primer brusilni kolut zatakne ali zablokira v obdelovancu, se lahko rob brusilnega koluta, ki je potopljen v obdelovanec, zaplete vanj in brusilni kolut se odloami ali povzroči povratni udarec. Brusilni kolut se nato premakne proti uporabniku ali proč od njega, odvisno od smeri vrtenja brusilnega koluta na mestu blokiranja. Blokirni koluti se lahko pri tem tudi zlomijo.
 - Povratni udarec je posledica napačne ali pomanjkljive uporabe električnega orodja. Preprečite ga lahko z ustreznimi previdnostnimi ukrepi. Navedeni so v nadaljevanju besedila.
- a) **Dobro držite električno orodje in premaknite telo in roke v položaj, v katerem boste lahko prestregli moč povratnega udarca. Če je na voljo dodatni ročaj, ga obvezno uporabljajte in tako zagotovite najboljše možno nadziranje moči povratnih udarcev ali reakcijskih momentov pri zagonu orodja.** Z ustreznimi previdnostnimi ukrepi lahko uporabnik obvlada moč povratnih udarcev in reakcijskih momentov.
 - b) **Nikoli z roko ne segajte v bližino vrtečih se vsadnih orodij.** V primeru povratnega udarca se lahko orodje premakne čez Vašo roko.
 - c) **Ne približujte telesa področju, v katerega se lahko v primeru povratnega udarca premakne električno orodje.** Povratni udarec potisne električno orodje v smer, ki je nasprotna smeri premikanja brusilnega koluta na mestu blokiranja.
 - d) **Posebno previdno delajte v kotih, na ostrih robovih in podobnih površinah. Preprečite, da bo vsadna orodja odskočila od obdelovanca in se zagozdila.** Vrteče se vsadno orodje se v kotih, na ostrih robovih ali če odskoči, zlahka zagozdi. To povzroči izgubo nadzora ali povratni udarec.
 - e) **Ne uporabljajte verižnih ali nazobčanih žaginih listov.** Ta vsadna orodja pogosto povzročijo povratni udarec ali izgubo nadzora nad električnim orodjem.
- ### 3) VARNOSTNA OPOZORILA ZA BRUŠENJE IN REZANJE Z ABRAZIVNIMI MATERIALI
- a) **Uporabljajte samo brusila, ki so atestirana za Vaše električno orodje in zaščitni pokrov, predviden za ta brusila.** Brusil, ki niso predvidena za Vaše električno orodje, ne boste mogli dobro zavarovati in so zato nevarna.
 - b) **Kolenaste brusilne plošče morate montirati tako, da njihova brusilna površina ne bo segala čez rob zaščitnega pokrova.** Nepravilno montirane brusilne plošče, ki sega čez rob zaščitnega pokrova, ni moč zadostno zavarovati.
 - c) **Zaščitni pokrov mora biti varno nameščen na električno orodje in pritrjen tako, da bo zagotovil največjo možno mero varnosti, kar pomeni, da mora biti proti uporabniku obrnjen najmanjši del odprtega brusila.** Zaščitni pokrov naj bi uporabnika varoval pred drobci, naključnim stikom z brusilom in iskrami, ki bi lahko vnele oblačila.
 - d) **Brusila lahko uporabljate samo za vrste uporabe, ki jih priporoča proizvajalec.** Na primer: Nikoli ne brusite s stransko ploskvijo rezalne plošče. Rezalne plošče so namenjene odstranjevanju materiala z robom plošče. Brusilo se lahko zaradi bočnega delovanja sile zlomi.
 - e) **Za izbrani brusilni kolut vedno uporabljajte nepoškodovane vpenjalne prirobnice pravilne**

velikosti in oblike. Ustrezne prirobnice podpirajo brusilni kolut in tako zmanjšujejo nevarnost, da bi se kolut zlomil. Prirobnice za rezalne plošče se lahko razlikujejo od prirobnice za druge brusilne kolute.

- f) **Ne uporabljajte obrabljenih brusilnih kolutov večjih električnih orodij.** Brusilni koluti za večja električna orodja niso konstruirana za višje število vrtljajev, s katerimi delujejo manjša električna orodja in se lahko zato zlomijo.

4) OSTALA OPOZORILA ZA REZANJE

- a) **Izogibajte se blokiranju rezalne plošče ali premočnemu pritiskanju na obdelovanec. Ne delajte pretirano globokih rezov.** Preobremenjenost rezalne plošče se poveča, prav tako dovzetnost za zatikanje ali blokiranje in s tem možnost povratnega udarca ali zloma brusila.
 - b) **Izogibajte se področja pred in za vrtečo se rezalno ploščo.** Če boste rezalno ploščo, ki je v obdelovancu, potisnili stran od sebe, lahko električno orodje v primeru povratnega udarca skupaj z vrtečim se kolutom odleti naravnost v Vas.
 - c) **Če se rezalna plošča zagozdi ali če prekinete z delom, električno orodje izklopite in ga držite pri miru, dokler se kolut popolnoma ne ustavi. Nikoli ne poskušajte rezalne plošče, ki se še vrti, potegniti iz reza, ker lahko pride do povratnega udarca.** Ugotovite in odstranite vzrok zagozditve.
 - d) **Dokler se električno orodje nahaja v obdelovancu, ga ne smete ponovno vklopiti. Počakajte, da bo rezalna plošča dosegla polno število vrtljajev in šele potem previdno nadaljujte z rezanjem.** V nasprotnem primeru se lahko plošča zatakne, skoči iz obdelovanca ali povzroči povratni udarec.
 - e) **Plošče ali velike obdelovance ustrezno podprite in tako zmanjšajte tveganje povratnega udarca zaradi zataknjene rezalne plošče.** Veliki obdelovanci se lahko zaradi lastne teže upognejo. Obdelovanec mora biti podprt z obeh strani, pa tudi v bližini reza in na robu.
 - f) **Še posebno previdni bodite pri „rezanju žepov“ v obstoječe stene ali v druga področja, v katera nimate vpogleda.** Pogrezajoča se rezalna plošča lahko pri rezovanju v plinske ali vodovodne cevi ter električne vodnike in druge predmete povzroči povratni udarec.
- #### 5) POSEBNA OPOZORILA ZA BRUŠENJE Z BRUSNIM PAPIRJEM
- a) **Ne uporabljajte predimenzioniranih brusilnih listov, temveč upoštevajte podatke proizvajalca o velikosti žaginega lista.** Brusilni listi, ki gledajo čez brusilni krožnik, lahko povzročijo telesne poškodbe ali pa blokiranje in trganje žaginega lista oziroma povratni udarec.
- #### 6) POSEBNA OPOZORILA ZA DELO Z ŽIČNIMI ŠČETKAMI
- a) **Upoštevajte dejstvo, da žična ščetka tudi med običajno uporabo izgublja koščke žice. Žic zato ne preobremenjujte s premočnim pritiskanjem na ščetko.** Koščki žice, ki letijo stran, lahko zelo hitro prodrejo skozi tanko oblačilo in/ali kožo.
 - b) **Če je za delo priporočljiva uporaba zaščitnega pokrova, preprečite, da bi se zaščitni pokrov in žična ščetka dotikala.** Premer diskastih in lončastih žičnih ščetk se lahko zaradi pritiskanja nanje in zaradi delovanja centrifugalnih sil poveča.

SPLOŠNO

- To orodje ni primerno za mokro brušenje in rezanje
- Uporabljajte le tiste prirobnice, ki so dobavljene skupaj z orodjem
- Orodja naj ne bi uporabljale osebe mlajše od 16 let
- **Vedno izvlecite električni vtičnik iz vtičnice preden spreminjate nastavitve ali menjate pribor**

PRIBOR

- SKIL zagotavlja brezhibno delovanje orodja le z uporabo originalnega dodatnega pribora
- **Uporabljajte samo brusnih/rezilnih plošč debeline do največ 8 mm in s premerom odprtine vretena 22 mm**
- Pri uporabi in montaži ne SKIL-ovega pribora upoštevajte navodila proizvajalca uporabljenega pribora
- Nikoli ne uporabljajte reducirnih tulk ali adapterjev za prilagajanje brusnih ali rezilnih plošč z večjimi premeri lukenj
- Ne uporabljajte pribora, ki ima manjšo luknjo kot jo zahteva vreteno M14 x 21 mm

ZUNANJA UPORABA

- Priključite orodje preko tokovnega zaščitnega stikala (FI) z občutljivostjo toka največ 30 mA

PRED UPORABO

- Pred prvo uporabo orodja je priporočljivo dobiti praktične informacije
- Vedno preverite, če je napetost omrežja enaka napetosti, ki je navedena na tablici orodja (orodje z nazivno napetostjo 230V ali 240V lahko priključite tudi na napetost 220V)
- Vedno uporabljajte brusilnik z nameščenim stranskim ročajem E ② in varnostnim ščitom F ②; nikoli ne uporabljajte brusilnika brez njiju
- **Za iskanje skritih električnih, plinskih in vodovodnih cevi uporabite primerne iskalne naprave (detektorje) ali se posvetujte z lokalnimi podjetji** (stik z električnimi vodniki lahko povzroči požar ali električni udar; poškodbe plinovoda lahko povzročijo eksplozijo, vdor v vodovodno omrežje pa materialno škodo ali električni udar)
- **Ne obdelujte materiala, ki vsebuje azbest** (azbest povzroča rakasta obolenja)
- Prah materialov, kot so barve, ki vsebujejo svinec, nekatere vrste lesa, mineralov ali kovin so lahko škodljivi (ob stiku ali vdihavanju lahko prah pri delavcu ali pri drugih prisotnih povzroči alergijsko reakcijo in/ali boleznj dihal); **nosite masko za prah in pri delu uporabljajte napravo za odsesavanje prahu, kjer je le-to možno priključiti**
- Nekatere vrste prahu so klasificirane kot kancerogene (kot npr. prah hrasta in bukve) še posebno ob sočasni uporabi z dodatki za obdelavo lesa; **nosite masko za prah in pri delu uporabljajte napravo za odsesavanje prahu, kjer je le-to možno priključiti**
- Upoštevajte nacionalne zahteve glede prahu za materiale katere želite obdelovati
- Bodite pozorni pri rezanju nosilcev, posebno v podpornih stenah (odprtine v podpornih zidovih so predmet posebnih predpisov, odvisno od države, katere je potrebno v takšnih okoliščinah upoštevati)
- **Zavarujte obdelovanec** (obdelovanec stisnjen v prižemi ali primežu je bolj varen kot v roki)

- Ne vpenjajte stroja v primež
- Uporabljajte povsem iztegnjene in varne električne podaljške, z jakostjo 16 amperov

MED UPORABO

- Če je priključni kabel poškodovan ali se med delom pretrga se ga ne dotikajte, temveč takoj potegnite električni vtičnik iz vtičnice
- Nikoli ne uporabljajte orodja, če je kabel poškodovan; okvaro naj odpravi strokovnjak
- Če pride do električnih ali mehanskih okvar, takoj izklopite stroj in izvlecite vtičnik iz vtičnice
- V primeru prekinitve napetosti v omrežju ali, ko se vtičnik pomotoma iztakne, izklopite stikalo H ②, da preprečite nenadzorovan zagon pri ponovnem vklopu

PO UPORABI

- Po izključitvi stikala orodja nikoli ne ustavlajte vrtenja plošče s stranskim pritiskanjem

UPORABA

- Namestitev pribora ②
 - ! **izključite vtičnik**
 - očistite vreteno A in vse dele, ki bodo nameščeni
 - pritrdite prirobno matico B s ključem C pri tem pa držite pritisnjen gumb za blokado vretena D
 - ! **pritisnite gumb za blokado vretena D le ko je vreteno A popolnoma mirujoče**
 - pri demontaži pribora postopek ponovite in prirobno matico odvijajte
 - ! **med uporabo brusne in rezalne plošče postanejo zelo vroče; ne dotikajte se jih dokler se popolnoma ne ohladijo**
 - ! **vedno namestite brusilni krožnik, kadar uporabljate brusni pribor**
 - ! **nikoli ne uporabljajte brusne ali rezalne plošče brez nalepke na njej (če je na voljo dodatni ročaj)**
- Namestitev pomožnega ročaja E ⑥
 - ! **izključite vtičnik**
 - pomožni ročaj lahko privijete E na levo ali desno stran ali na vrh orodja (odvisno od vrste dela)
- Demontaža/namestitev/nastavitev varnostnega ščita F ⑦
 - ! **izključite vtičnik**
 - ! **zagotovite, da je zaprti del varnostnega ščita vedno obrnjen k uporabniku**
- Pred uporabo orodja
 - prepričajte se, da je pribor pravilno nameščen in čvrsto pritrjen
 - preverite z roko, če se nameščen pribor prosto vrti
 - napravite preizkusni zagon, tako, da vključite orodje na varnem mestu, za najmanj 30 sekund, pri največji hitrosti
 - pri močnih vibracijah ali drugih napakah, takoj izklopite orodje in ugotovite vzrok
- Vklopno/izklopno aretirno stikalo H ⑧
 - vklopite orodje ⑧a
 - ! **pazite na nenaden sunek pri vklopu orodja**
 - ! **preden pribor doseže obdelovanec naj orodje doseže polno hitrost**
 - aretirajte stikalo ⑧b
 - izklopite stikalo/izklopite orodje ⑧c
 - ! **preden orodje izklopite, bi ga morali odmakniti od predmeta, ki ga obdelujete**
 - ! **po izklopu orodja se pribor še nekaj časa vrti**

- Brušenje ⑨
 - premikajte orodje naprej in nazaj z zmernim pritiskom
 - ! **nikoli ne uporabljajte rezalne plošče za stransko brušenje**
- Rezanje ⑩
 - med rezanjem ne nagibajte orodja
 - orodje vedno pomikajte v smeri puščice na ohišju orodja, da preprečite uhajanje plošče iz linije reza in nenadzorovane pomike
 - ne pritiskajte premočno na orodje; pustite, da hitrost rezalne plošče opravi svoje delo
 - hitrost rezalne plošče je odvisna od materiala katerega obdelujemo
 - ne zaustavljajte rezalnih plošč s stranskim pritiskom
- Držanje in vodenje orodja
 - vedno čvrsto držite orodje z obema rokama, tako boste imeli nad njim ves čas popoln nadzor
 - ! **med delom vedno držite orodje za sivo obarvano mesto prijema** ⑪
 - zagotovite si varen položaj
 - bodite pozorni na smer vrtenja; vedno držite orodje tako, da iskre in prah, ki nastajajo pri brušenju ali rezanju letijo proč od uporabnika
 - ventilacijske reže J ⑫ morajo biti nepokrite

UPORABNI NASVETI

- Namesto prirobne matice B ② se lahko uporablja "CLIC" prirobnica za hitrejšo namestitvev pribora (SKIL pribor SK2610388766); brusne in rezalne plošče se v tem primeru nameščajo brez uporabe ključa
- Za več nasvetov glejte pod www.skil.com

VZDRŽEVANJE/SERVISIRANJE

- Orodje ni namenjeno profesionalni uporabi
- Priključni kabel in orodje naj bosta vedno čista (posebej še prezračevalne odprtine J ②)
 - ! **ne poskušajte čistiti prezračevalnih odprtin z drezanjem s koničastimi predmeti skozi odprtine**
 - ! **izvlecite vtičak iz vtičnice pred čiščenjem**
- Če bi kljub skrbnim postopkom izdelave in preizkušanja prišlo do izpada delovanja orodja, naj popravilo opravi servisna delavnica, pooblaščen za popravila SKILevih električnih orodij
 - pošljite **nerazstavljeno** orodje skupaj s potrdilom o nakupu pri vašemu prodajalcu v najbližjo SKIL servisno delavnico (naslovi, kot tudi spisek rezervnih delov se nahaja na www.skil.com)

OKOLJE

- **Električnega orodja, pribora in embalaže ne odstranjujte s hišnimi odpadki** (samo za države EU)
 - v skladu z Evropsko direktivo 2002/96/EG o odpadni električni in elektronski opremi in z njenim izvajanjem v nacionalni zakonodaji je treba električna orodja ob koncu njihove življenjske dobe ločeno zbirati in jih predati v postopek okoli prijaznega recikliranja
 - ko je potrebno odstranjanje, naj vas o načinu spomni simbol ⑫

IZJAVA O SKLADNOSTI CE

- Izjavljamo pod izključno odgovornostjo, da proizvod pod "Tehnični podatki" ustreza naslednjim standardom oz. standardiziranim dokumentom: EN 60745, EN 61000, EN 55014 v skladu z določili direktiv 2004/108/ES, 2006/42/ES, 2011/65/EU
- **Tehnična dokumentacija se nahaja pri:**
SKIL Europe BV (PT-SEU/ENG1), 4825 BD Breda, NL

Marijn van der Hoofden
Operations & Engineering

Olaf Dijkgraaf
Approval Manager

SKIL Europe BV, 4825 BD Breda, NL

05.08.2013

HRUP/VIBRACIJA

- Izmerjeno v skladu s predpisom EN 60745 je raven zvočnega pritiska za to orodje 90 dB(A) in jakosti zvoka 101 dB(A) (standarden odmik: 3 dB), in vibracija * m/s² (metoda dlan-roka; netočnost K = 1,5 m/s²)
 - * med brušenjem površine 8,1 m/s²
 - * med brušenjem 6,2 m/s²
- ! **ostali načini uporabe (kot na primer rezanje ali uporaba žičnih ščetk) imajo lahko različne vrednosti vibracij**
- Raven oddajanja vibracij je bila izmerjena v skladu s standardiziranimi testi, navedenimi v EN 60745; uporabiti jo je mogoče za primerjavo različnih orodij med seboj in za predhodno primerjavo izpostavljenosti vibracijam pri uporabi orodja za namene, ki so omenjeni
 - uporaba orodja za drugačne namene ali uporaba skupaj z drugimi, slabo vzdrževanimi nastavki lahko znatno **poveča** raven izpostavljenosti
 - čas, ko je orodje izklopljeno ali ko teče, vendar z njim ne delamo, lahko znatno **zmanjša** raven izpostavljenosti
- ! **pred posledicami vibracij se zaščitite z vzdrževanjem orodja in pripadajočih nastavkov, ter tako, da so vaše roke tople, vaši delovni vzorci pa organizirani**

EST

Nurklihvmasin

9176

SISSEJUHATUS

- Tööriist on ette nähtud metall- ja kivimaterjalide lihvimiseks, lõikamiseks ja kraatide eemaldamiseks kuivmeetodil; koos sobivate tarvikutega saab tööriista kasutada ka harjamiseks ja lihvimiseks
- Tööriist pole mõeldud professionaalseks kasutamiseks
- **Lõikeoperatsioonid seadme külge kinnitatud lihvloikeketastega on lubatud üksnes kettakaitsme (saadaval SKILi lisatarvikuna 2610399439) kasutamisel**
- Palun lugege käesolev kasutusjuhend hoolikalt läbi ja hoidke alles ③

TEHNILISED ANDMED ①

SEADME OSAD ②

- A Spindel
- B Pingutusflaš
- C Pingutusvõti
- D Spindililukustusnupp
- E Lisakäepide
- F Kettakaitse
- G Kinnitusflaš
- H Lülitit (sisse/välja) lukustusnupp
- J Ohutusavad

OHUTUS

ÜLDISED OHUTUSJUHISED

⚠ TÄHELEPANU! Kõik ohutusnõuded ja juhised tuleb läbi lugeda. Ohutusnõuete ja juhiste eiramise tagajärjeks võib olla elektrilööök, tulekahju ja/või raskest vigastused.

Hoidke kõik ohutusnõuded ja juhised edasiseks kasutamiseks hoolikalt alles. Allpool kasutatud mõiste "elektriline tööriist" käib võrgutoitega (toitejuhtmega) elektriliste tööriistade ja akutoitega (ilma toitejuhtmata) elektriliste tööriistade kohta.

1) OHUTUSNÕUDED TÖÖPIIRKONNAS

- a) **Hoidke töökoht puhas ja korras.** Segadus või valgustamata tööpiirkonnad võivad põhjustada õnnetusi.
- b) **Ärge kasutage seadet plahvatusohtlikus keskkonnas, kus leidub tuleohtlikke vedelikke, gaase või tolmu.** Elektrilistest tööriistadest lööb sädemeid, mis võivad tolmu või auru süüdata.
- c) **Kui kasutate elektrilist tööriista, hoidke lapsed ja teised isikud töökohast eemal.** Kui Teie tähelepanu kõrvale juhitakse, võib seade Teie kontrolli alt väljuda.

2) ELEKTRIOHUTUS

- a) **Seadme pistik peab pistikupesasse sobima.** Pistiku kallal ei tohi teha mingeid muudatusi. Ärge kasutage kaitsemaandusega seadmete puhul adapterpistikuid. Muutmata pistikud ja sobivad pistikupesad vähendavad elektrilöögi saamise riski.
- b) **Vältige kehakontakti maandatud pindadega, nagu torud, radiaatorid, pliigid ja külmikud.** Kui Teie keha on maandatud, on elektrilöögi risk suurem.
- c) **Hoidke seadet vihma ja niiskuse eest.** Kui elektriseadmesse on sattunud vett, on elektrilöögi saamise risk suurem.
- d) **Ärge kasutage toitejuhet selleks mitte ettenähtud otstarbel seadme kandmiseks, ülesriputamiseks ega pistiku pistikupesast väljatõmbamiseks.** Hoidke toitejuhet kuumuse, õli, teravate servade ja seadme liikuvate osade eest. Kahjustatud või keerduläinud toitejuhtmed suurendavad elektrilöögi saamise riski.
- e) **Kui töötate elektrilise tööriistaga vabas õhus, kasutage ainult selliseid pikendusjuhtmeid, mida on lubatud kasutada ka välistingimustes.** Välistingimustes kasutamiseks sobiva pikendusjuhtme kasutamine vähendab elektrilöögi saamise riski.
- f) **Kui elektrilise tööriista kasutamine niiskes keskkonnas on vältimatu, kasutage maandusega**

lekkevoolukaitset. Maandusega lekkevoolukaitsme kasutamine vähendab elektrilöögi ohtu.

3) INIMESTE TURVALISUS

- a) **Olge tähelepanelik, jälgige, mida Te teete, ning toimige elektrilise tööriistaga töötades mõistlikult.** Ärge kasutage seadet, kui olete väsinud või uimastite, alkoholi või ravimite mõju all. Hetkeline tähelepanematus seadme kasutamisel võib põhjustada tõsiseid vigastusi.
 - b) **Kandke isikukaitsevahendeid ja alati kaitseprille.** Isikukaitsevahendite, nagu tolmumask, libisemiskindlad turvajalatsid, kaitsekiiver või kuulmiskaitsevahendid, kandmine – sõltuvalt elektrilise tööriista tüübist ja kasutusala – vähendab vigastuste riski.
 - c) **Vältige seadme tahtmatut käivitamist. Enne pistiku ühendamist pistikupesasse, aku ühendamist seadme külge, seadme ülestõstmist ja kandmist veenduge, et elektriline tööriist on välja lülitatud.** Kui hoiate elektrilise tööriista kandmisel sõrme lülitit või ühendate vooluvõrku sisselülitatud seadme, võivad tagajärjeks olla õnnetused.
 - d) **Enne seadme sisselülitamist eemaldage selle küljest reguleerimis- ja mutrivõtmed.** Seadme pöörleva osa küljes olev reguleerimis- või mutrivõti võib põhjustada vigastusi.
 - e) **Ärge hinnake end üle. Võtke stabiilne tööasend ja hoidke kogu aeg tasakaalu.** Nii saate seadet ootamatutes olukordades paremini kontrollida.
 - f) **Kandke sobivat rõivastust. Ärge kandke laiu riideid ega ehteid. Hoidke juuksed, rõivad ja kindad seadme liikuvatest osadest eemal.** Lotendavad riided, ehted või pikad juuksed võivad sattuda seadme liikuvate osade vahele.
 - g) **Kui on võimalik paigaldada tolmueemaldus- ja tolmukogumisseadiseid/seadmeid, veenduge, et need oleksid seadmega ühendatud ja et neid kasutatakse õigesti.** Tolmueemaldusseadise kasutamine vähendab tolmust põhjustatud ohte.
- #### 4) ELEKTRILISTE TÖÖRIISTADE HOOLIKAS KÄSITSEMINE JA KASUTAMINE
- a) **Ärge koormake seadet üle. Kasutage töö tegemiseks selleks ettenähtud elektrilist tööriista.** Sobiva elektrilise tööriistaga töötate paremini ja turvalisemalt ettenähtud võimsusvahemikus.
 - b) **Ärge kasutage elektrilist tööriista, mille lülitit on rikkis.** Elektriline tööriist, mida ei ole enam võimalik sisse ja välja lülitada, on ohtlik ning seda tuleb remontida.
 - c) **Tõmmake pistik pistikupesast välja ja/või eemaldage seadme aku enne seadme reguleerimist, tarvikute vahetamist ja seadme ärapanekut.** See ettevaatusabinõu väldib seadme tahtmatut käivitamist.
 - d) **Kasutuvälisel ajal hoidke elektrilisi tööriistu lastele kättesaamatult. Ärge laske seadet kasutada isikutel, kes seda ei tunne või pole siintoodud juhiseid lugenud.** Kogenematute kasutajate käes kujutavad elektrilised tööriistad ohtu.
 - e) **Hoolitsege seadme eest. Kontrollige, kas seadme liikuvad osad funktsioneerivad korralikult ja ei kiidlu kinni, ning ega mõned osad ei ole katki või sel määral kahjustatud, et võiksid mõjutada seadme töökindlust.** Laske kahjustatud osad enne seadme

kasutamist parandada. Paljude õnnetuste põhjuseks on halvasti hooldatud elektrilised tööriistad.

- f) **Hoidke löiketarvikud teravad ja puhtad.** Hoolikalt hoitud, teravate lõikeservadega löiketarvikud kiiluvad harvemini kinni ja neid on lihtsam juhtida.
- g) **Kasutage elektrilist tööriista, lisavarustust, tarvikuid jne vastavalt siintoodud juhistele. Arvestage seejuures töötajate ja teostatava töö iseloomuga.** Elektriliste tööriistade kasutamine mitte ettenähtud olukorras võib põhjustada ohtlikke olukordi.

5) TEENINDUS

- a) **Laske seadet parandada ainult kvalifitseeritud spetsialistidel ja ainult originaalvaruosadega.** Nii tagate seadme püsimise turvalisena.

OHUTUSJUHISED NURKLIHVMAŠINATE KOHTA

1) OHUTUSJUHISED KÕIKIDEKS TÖÖOPERATSIONIDEKS

- a) **Käesolev elektriline tööriist on ette nähtud lihvimiseks, liivpaberiga lihvimiseks, traatharjaga töötlemiseks, ja lõikamiseks.** Järgige kõiki tööriistaga kaasasolevaid hoiatusi, juhiseid, jooniseid ja tehnilisi andmeid. Järgnevalt toodud juhiste eiramise tagajärjeks võib olla elektrilöök, tulekahju ja/või raskest vigastused.
- b) **Tööriista pole soovitatav kasutada poleerimiseks.** Tööoperatsioonid, milleks elektritööriist pole ette nähtud, võivad osutuda ohtlikuks ja vigastada inimesi.
- c) **Ärge kasutage lisatarvikuid, mis ei ole tootja poolt käesoleva elektrilise tööriista jaoks ette nähtud või soovitatud.** See, et saate lisatarvikut oma tööriista külge kinnitada, ei taga veel tööriista ohutut kasutust.
- d) **Kasutatava tarviku lubatud pöörete arv peab olema vähemalt sama suur nagu elektrilise tööriista maksimaalne pöörete arv.** Tarvik, mis pöörleb lubatud kiiremini, võib puruneda.
- e) **Tarviku läbimõõt ja paksus peavad ühtima elektrilise tööriista mõõtudega.** Valede mõõtmetega tarvikut ei kata kaitse piisaval määral.
- f) **Keermestatud sabaga tarvikud peavad spindli keermega täpselt sobima.** Flantsi abil monteeritavate tarvikute puhul peab tarviku siseava läbimõõt vastama flantsi siseava läbimõõdule. Elektrilise tööriista külge täpselt ja tugevalt kinnitatama tarvikud pöörlevad ebaühtlaselt, vibreerivad tugevasti ja võivad põhjustada kontrolli kaotuse tööriista üle.
- g) **Ärge kasutage vigastatud tarvikuid. Iga kord enne kasutamist kontrollige, ega lihvketastel ei esine pragusid või murenenud kohti, lihvaldadel pragusid või kulunud kohti, traatharjadel lahtisi või murdunud traate.** Kui elektriline tööriist või tarvik maha kukub, siis kontrollige, ega see ei ole vigastatud ning vajadusel võtke vigastatud tarviku asemel kasutusele vigastamata tarvik. Kui olete tarviku üle kontrollinud ja kasutusele võtnud, hoidke ennast ja lähedal viibivaid isikuid väljaspool pöörleva tarviku tasandit ja laske tööriistal töötada ühe minuti vältel maksimaalpööratel. Selle testperioodi jooksul vigastatud tarvikud üldjuhul murduvad.
- h) **Kasutage isikukaitsevahendeid (☉). Kandke vastavalt kasutusotstarbele näokaitsemaski või kaitseprille.** Vajadusel kandke tolmukaitsemaski,

- kuulmiskaitsevahendeid, kaitsekindaid või spetsiaalpõlle, mis kaitseb Teid lihvimisel eralduvate väikeste materjaliosakeste eest. Silmi tuleb kaitsta töödeldavast materjalist eralduvate kildude ja vöörkehade eest. Tolmu- ja hingamisteede kaitsemaskid peavad filtreerima tekkiva tolmu. Pikaajaline tugev müra võib kahjustada kuulmist.
- i) **Veenduge, et teised inimesed asuvad tööpiirkonnast ohutus kauguses. Igaüks, kes tööpiirkonda siseneb, peab kandma isikukaitsevahendeid.** Materjalist eralduvad kildud või murdunud tarvikud võivad õhku paiskuda ning põhjustada vigastusi ka tööpiirkonnast väljaspool.
- j) **Kui teostate töid, mille puhul võib tarvik tabada varjatud elektrijuhtmeid või seadme enda toitejuhet, hoidke seadet ainult isoleeritud käepidemetest.** Kontakt pingele all oleva elektrijuhtmega võib pingestada seadme metallosad ja põhjustada elektrilöögi.
- k) **Hoidke toitejuhe pöörlevate tarvikutest eemal.** Kui kaotate kontrolli seadme üle, tekib toitejuhtme läbilõikamise või tarviku poolt kaasahaaramise oht ning Teie käsi võib pöörleva tarvikuga kokku puutuda.
- l) **Pange tööriist käest alles siis, kui tarvik on seiskunud.** Pöörlev tarvik võib alusega kokku puutuda, mille tagajärjel võite kaotada kontrolli tööriista üle.
- m) **Ärge transpordige töötavat tööriista.** Teie rõivad võivad jääda pöörleva tarviku külge kinni ning tarvik võib tungida Teie kehasse.
- n) **Puhastage regulaarselt tööriista tuulutusavasid.** Töötav mootor tõmbab korpusesse tolmu ning kogunev metallitolm võib vähendada elektriõhutus.
- o) **Ärge kasutage elektrilist tööriista süttivate materjalide läheduses.** Sädemete tõttu võivad taolised materjalid süttida.
- p) **Ärge kasutage tarvikuid, mille puhul on vaja kasutada jahutusvedelikke.** Vee või teiste jahutusvedelike kasutamine võib põhjustada elektrilööki.
- 2) **TAGASILÖÖK JA ASJAOMASED OHUTUSJUHISED**
- Tagasilöök on kinnikiiludumise pöörlevast tarvikust, näiteks lihvketast, lihvallast, traatharjast vmt põhjustatud järsk reaktsioon. Kinnikiildumine põhjustab pöörleva tarviku äkilise seiskumise. See omakorda tingib seadme kontrollimatut liikumise tarviku pöörlemissuuna vastu suunas.
- Lihvketta kinnikiildumise tagajärjeks võib olla lihvketta murdumine või tagasilöök. Lihvketas liigub siis sõltuvalt ketta pöörlemissuunast kas tööriista kasutaja suunas või kasutajast eemale. Seejuures võivad lihvketad ka murduda.
- Tagasilöök on seadme vale või ebaõige kasutuse tagajärg. Tagasilööki saab sobivate ettevaatusabinõude rakendamisega ära hoida.
- a) **Hoidke elektrilist tööriista tugevasti ja viige oma keha ja käed asendisse, milles saate tagasilöögiõigududele vastu astuda.** Kasutage alati lisakäepidet, kui see on olemas, et saavutada tagasilöögiõigudude või reaktsioonimomentide üle võimalikult suurt kontrolli. Seadme kasutaja saab sobivate ettevaatusabinõude rakendamisega tagasilöögi- ja reaktsioonijõudusid kontrollida.
- b) **Ärge viige oma kätt kunagi pöörlevate tarvikute lähedusse.** Tarvik võib tagasilöögi puhul riivata Teie kätt.

- c) **Vältige oma kehaga piirkonda, kuhu seade tagasilöögi puhul liigub.** Tagasilöökk paiskab seadme lihvketta liikumissuunale vastassuunas.
- d) **Töötage eriti ettevaatlikult nurkade, teravate servade jmt piirkonnas. Vältige tarviku tagasipõrkumist toorikult ja toorikusse kinnijäämist.** Pöörlev tarvik kalduv nurkades, teravates servades ja tagasipõrkumise korral kinni kiilduma. See põhjustab kontrolli kaotuse tööriista üle või tagasilöögi.
- e) **Ärge kasutage kett- ega hammastusega ketast.** Taolised tarvikud põhjustavad tihti tagasilöögi või kontrolli kaotuse seadme üle.
- 3) SPETSIIFILISED OHUTUSJUHISED LIHVIMISEKS JA LÕIKAMISEKS**
- a) **Kasutage üksnes Teie elektrilise tööriista jaoks sobivaid lihvimistarvikuid ja nende lihvimistarvikute jaoks ette nähtud kettakaitset.** Lihvimistarvikuid, mis ei ole tööriista jaoks ette nähtud, ei kata kaitse piisaval määral ning need on ohtlikud.
- b) **Nõgusa keskosaga lihvkettad tuleb paigaldada nii, et nende pind ei ulatu kettakaitse serva tasandist kõrgemale.** Valesti paigaldatud lihvketas, mis ulatub kettakaitse servast kõrgemale, ei ole kettakaitsega piisaval määral kaetud.
- c) **Kettakaitse tuleb paigaldada ja seadistada nii, et tagatud oleks maksimaalne ohutus, s.t, et lihvimistarvikuga võimalikult väike osa jääks lahtiselt seadme kasutaja poole.** Kettakaitse peab seadme kasutajat kaitsma murduvate tükide, lihvimistarvikuga juhusliku kokkupuute ja sädemete eest, mis võivad süüdata riietuse.
- d) **Lihvimistarvikuid tohib kasutada üksnes otstarbel, milleks need on ette nähtud.** Kunagi ei tohi lihvida lõikeketta külgnäppa. Lõikekettad on ette nähtud materjali lõikamiseks ketta servaga. Külgsuunas avalduvad jõud võivad lõikeketta purustada.
- e) **Kasutage alati valitud lihvketta jaoks sobiva suuruse ja kujuga alusseibi.** Sobivad seibid kaitsevad lõikeketast ja hoiavad nii ära lihvketta purunemise ohu. Lõikeketta seibid võivad teiste lihvkettaste seibidest erineda.
- f) **Ärge kasutage suuremate elektriliste tööriistade kasutatud lihvkettaid.** Suuremate elektriliste tööriistade lihvkettad ei sobi kasutamiseks väiksemate elektriliste tööriistade kõrgemal pööratel ning võivad murduda.
- 4) TÄIENDAVAD SPETSIIFILISED OHUTUSJUHISED LÕIKAMISEKS**
- a) **Vältige lõikeketta kinnikiildumist ja ärge avaldage lõikekettale liigset survet. Ärge teostage liiga sügavaid lõikeid.** Lõikekettale avaldub liigne koormus suurendab lõikeketta kulumist ja kalduvus kinnikiildumiseks, mistõttu suureneb ka tagasilöögi või lihvketta purunemise oht.
- b) **Vältige pöörleva lõikeketta ette ja taha jäävat piirkonda.** Kui juhite lõikeketast toorikus endast eemala, võib tööriist koos pöörleva kettaga lennata tagasilöögi korral otse Teie peale.
- c) **Kui lõikeketas kinni kiidub või kui Te töö katkestate, lülitage tööriist välja ja hoidke seda enda kontrolli all seni, kuni lõikeketas seiskub. Ärge püüdke kunagi veel pöörlevat lõikeketast lõikejoonest välja tõmmata, kuna vastasel korral võib toimuda tagasilöökk.** Tehke kindlaks ja kõrvaldage kinnikiildumise põhjus.

- d) **Ärge lülitage tööriista uuesti sisse, kui see asub veel toorikus. Enne lõikeprotsessi ettevaatlikku jätkamist laske lõikekettal jõuda maksimaalpööretele.** Vastasel korral võib lõikeketas kinni kiilduda, toorikust välja hüpata või tagasilöögi põhjustada.
- e) **Teostage plaadid ja suured toorikud, et vältida kinnikiildunud lõikekettast põhjustatud tagasilöögi ohtu.** Suured toorikud võivad omaenda raskuse all murduda. Toorik tuleb toestada mõlemalt poolt, nii lõikejoone lähedalt kui servast.
- f) **Olge eriti ettevaatlik sisselõigete tegemisel olemasolevatesse seintesse või teistesse varjatud piirkondadesse.** Lõikeketas võib tabada gaasi- või veetoru, elektrijuhtmeid või teisi objekte, mille tagajärjeks võib olla tagasilöökk.
- 5) SPETSIIFILISED OHUTUSJUHISED LIIVAPABERIGA LIHVIMISEKS**
- a) **Ärge kasutage liiga suuri lihvpabereid, järgige tootja juhiseid lihvpaberi suuruse kohta.** Üle lihvtalla ulatuvad lihvpaberid võivad põhjustada vigastusi, samuti lihvpaberi kinnijäämist, rebenemist või tagasilööki.
- 6) SPETSIIFILISED OHUTUSJUHISED TÖÖTAMISEKS TRAATHARJADEGA**
- a) **Pidage silmas, et traatharjast eraldub ka tavalise kasutuse käigus traaditükke. Ärge koormake traate üle, avaldades neile liigset survet.** Lenduvad traaditüki võivad kergesti tungida läbi õhukeste riiete ja/ või naha.
- b) **Kui on soovitatav kasutada kettakaitset, siis hoidke ära kettakaitse ja traatharja kokkupuute võimalus.** Taldrik- ja kaussharjad läbimõõt võib avaldatava surve ja sentrifugaaljõudude toimel suurened.

ÜLDIST

- Tööriist ei sobi märglihvimiseks/lõikamiseks
- Kasutage üksnes tööriistaga kaasasolevaid seibe
- Tööriista kasutaja peab olema vähemalt 16 aastat vana
- **Enne seadme reguleerimist või tarviku vahetust eemaldage seade vooluvõrgust (tõmmake pistik pistikupesast välja)**

TARVIKUD

- SKIL tagab seadme häireteta töö üksnes originaaltarvikute kasutamisel
- **Kasutage vaid lihvimis-/lõikekettaid, mille paksus on kuni 8 mm ja spindliava diameeter kuni 22 mm**
- Teiste tootjate tarvikute kasutamisel järgige valmistaja antud juhiseid
- Ärge kasutage kahandusdetaili ega adaptereid, et sobitada seadmele suurema avaga lihvimis-/lõikekettaid
- Ärge kasutage suletud keermega tarvikuid, mille keermesuurus jääb alla M14 x 21 mm

KASUTAMINE VÄLISTINGIMUSTES

- Kasutage maksimaalselt 30 mA käivitusvooluga rikkevoolu-kaitselülitit (FI)

ENNE KASUTAMIST

- Enne tööriista esmakordset kasutamist on soovitatav küsida praktilisi näpunäiteid
- Kontrollige alati, kas võrgupinge ühtib tööriista andesildil toodud pingega (andesildil toodud 230V või 240V korral võib tööriistad kasutada ka 220V võrgupinge puhul)

- Paigaldage alati lisakäepide E ② ja kettakaitse F ②; ärge kasutage tööriista ilma nendeta
- **Varjatud paiknevate elektrijuhtmete, gaasi- või veetorude avastamiseks kasutage sobivaid otsimiseadmeid või pöörde kohaliku elektri-, gaasi- või vee-ettevõtte poole** (kokkupuutel elektrijuhtmetega tulekahju- ja elektrilöögioht; gaasitorustiku vigastamisel plahvatusoht; veetorustiku vigastamisel materiaalne kahju või elektrilöögioht)
- **Asbestisisaldava materjali töötlemine on keelatud** (asbest võib tekitada vähki)
- Värviga kaetud juhtmed, mõned puiduliigid, mineraalid ja metall eraldavad tolmu, mis võib olla kahjulik (kokkupuude tolmu või selle sissehingamine võib seadme kasutajal või läheduses viibival inimesel põhjustada allergilisi reaktsioone ja/või hingamisteede haigusi); **kandke tolumumaski ja vajaduse korral töötage külgeühendatava tolmueemaldusseadmega**
- Teatud tüüpi tolm on klassifitseeritud kantserogeensena (nt tammest ja kasest eralduv tolm), eriti koos puidu niiskuse reguleerimiseks kasutatavate lisanditega; **kandke tolumumaski ja vajaduse korral töötage külgeühendatava tolmueemaldusseadmega**
- Erinevate materjalide töötlemisel tekkiva tolmu käitlemisel tuleb järgida kehtivaid nõudeid
- Soonte freesimisel tuleb olla ettevaatlik, eriti kandeseinte puhul (kandeseintesse tehtavate soonte kohta kehtivad konkreetse riigi eeskirjad; nendest eeskirjadest tuleb igal juhul kinni pidada)
- **Fikseerige toorik** (fiksaatoriga kinnitatud või kruustangide vahele pandud toorik püsib kindlamini paigal kui lihtsalt käega hoides)
- Ärge kinnitage tööriista pitskrüviga
- Pikendusjuhtmete kasutamisel jälgige, et juhe oleks lõpuni lahti keritud ja vastaks 16 A voolutugevusele

KASUTAMISE AJAL

- Kui toitejuhe saab töötamisel ajal kahjustada või see lõigatakse läbi, ärge toitejuhet puutuge, vaid eemaldage koheselt pistik vooluvõrgust
- Ärge kunagi kasutage kahjustatud toitejuhtmega tööriista; laske toitejuhe remonditöökojas välja vahetada
- Seadme elektrilise või mehhaanilise häire korral lülitage seade viivitamatult välja ja eemaldage pistik vooluvõrgust
- Voolukatkestuse korral ning juhul, kui olete tõmmanud pistiku kogemata pistikupesast välja, vabastage koheselt lüliti (sisse/välja) H ②, et vältida tööriista kontrollimatut käivitumist

PÄRAST KASUTAMIST

- Keelatud on pidurdada tarvikuid pärast tööriista väljalülitamist külgsurvega

KASUTAMINE

- Tarviku paigaldamine ②
 - ! **eemaldage seade vooluvõrgust**
 - puhastage spindel A ja kõik monteeritavad osad
 - pingutage kinnitusmutter B võtme C abil, vajutades samal ajal spindlielukustusnupule D
 - ! **spindlielukustusnupule D tohib vajutada ainult siis, kui spindel A seisab**
 - tarviku eemaldamiseks toimige vastupidises järjekorras

- ! **lihvimis-/löikekettad muutuvad kasutamisel väga kuumaks; ärge puudutage neid enne, kui need on maha jahtunud**
- ! **alati, kui kasutate lihvimistarvikuid, paigaldage lihvimistaldriki**
- ! **ärge kasutage lihvimis-/löikekettast ilma sildita, mis on kinnitatud liimiga (kui see on olemas)**
- Lisakäepideme paigaldamine E ⑥
 - ! **eemaldage seade vooluvõrgust**
 - lisakäepidet E on võimalik kruvida tööriista paremale või vasakule küljele või ülemisele pinnale (sõltuvalt tehtavast tööst)
- Kettakaitse eemaldamine/paigaldamine/reguleerimine F ⑦
 - ! **eemaldage seade vooluvõrgust**
 - ! **veenduge, et kettakaitse suletud külg on alati kasutaja poole**
- Enne tööriista kasutamist
 - veenduge, et tarvik on õigesti paigaldatud ja kindlalt kinnitatud
 - kontrollige paigaldatud tarviku vaba liikumist, pöörates seda käega
 - proovijooksuks laske tööriistal turvalises asendis vähemalt 30 sekundit maksimumkiirusel ilma koormuseta töötada
 - tugeva vibratsiooni või muu defekti korral lülitage tööriist viivitamatult välja ja selgitage välja tõrke võimalik põhjus
- Lüliti(sisse/välja)-lukustusnupp H ⑧
 - tööriista sisselülitamine ⑧a
 - ! **seadme sisselülitamisega kaasneb järsk nõksatus**
 - ! **enne tarviku kokkupuutumist töödeldava esemega peab seade olema saavutanud maksimaalsed pöörded**
 - lüliti fikseerimine ⑧b
 - fikseeringu vabastamine/tööriista väljalülitamine ⑧c
 - ! **enne tööriista väljalülitamist tuleb see töödeldaval esemel eemaldada**
 - ! **pärast tööriista väljalülitamist pöörleb tarvik mõne sekundi jooksul edasi**
- Lõikamine ⑨
 - liigutage tööriista mõõduka survega edasi-tagasi
 - ! **löikekettast ei tohi kasutada külglühvimiseks**
- Lühvimine ⑩
 - lihvimisel ei tohi tarvikut painutada
 - liigutage tööriista pidevalt tööriista esiosal oleva noole suunas, et vältida selle kontrollimatut haardealast väljasurumist
 - ärge suruge tööriistale liiga suure survega; laske löikeketta kiirusel enda heaks töötada
 - löikeketta tööpöörde arv sõltub lõigatavast materjalist
 - ärge pidurdage löikekettaid külgsurvega
- Seadme hoidmine ja juhtimine
 - hoidke tööriista kahe käega, et see oleks kogu aeg Teie kontrolli all
 - ! **töötamise ajal hoidke tööriista kinni korpusse ja käepideme halli värvi osadest ⑪**
 - võtke stabiilne tööasend
 - jälgige pöörlemissuunda; hoidke tööriista nii, et sädemed ja lihvimis-/lõikamistolm lendavad Teie kehast eemale
 - hoidke õhutusavad J ② kinnikatmata

TÖÖJUHISED

- Kinnitusmutri B ② asemel võib kasutada "CLIC" kiirkinnitusmutrit (SKIL tarvik 2610388766); võimaldab paigaldada lihvimis-/lõikekettaid abitööriistu kasutamata
- Rohkem nõuandeid leiate aadressil www.skil.com

HOOLDUS/TEENINDUS

- Tööriist pole mõeldud professionaalseks kasutamiseks
- Hoidke seade ja toitejuhe alati puhtad (eriti õhutusavad J ②)

! ärge püüdke puhastada, pistes õhutusavadesse teravaid esemeid

! enne puhastamist eemaldage seade vooluvõrgust

- Tööriist on hoolikalt valmistatud ja testitud; kuiööriist sellest hoolimata rikki läheb, tuleb see lasta parandada SKILi elektriliste käsitööriistade volitatud remonditöökojas
 - toimetage **lahtimonteerimata** seade koos ostukviitungiga tarnijale või lähimasse SKILi lepingulisse töökotta (aadressid ja tööriista varuosade joonise leiate aadressil www.skil.com)

KESKKOND

- **Ärge visake kasutuskõlbmatuks muutunud elektrilisi tööriistu, lisatarvikuid ja pakendeid ära koos olmejäätmetega** (üksnes EL liikmesriikidele)
 - vastavalt Euroopa Parlamendi ja nõukogu direktiivile 2002/96/EÜ elektri- ja elektroonikaseadmete jäätmete kohta ning direktiivi nõuete kohaldamisele liikmesriikides tuleb kasutuskõlbmatuks muutunud elektrilised tööriistad koguda eraldi ja keskkonnasäästlikult korduvkasutada või ringlusse võtta
 - seda meenutab Teile sümbol ⑫

VASTAVUSDEKLARATSIOON C E

- Kinnitame ainuvastutajana, et punktis "Tehnilised andmed" kirjeldatud toode vastab järgmistele standarditele või normdokumentidele: EN 60745, EN 61000, EN 55014 vastavalt direktiivide 2004/108/EÜ, 2006/42/EÜ, 2011/65/EL
- **Tehniline toimik saadaval aadressil:** SKIL Europe BV (PT-SEU/ENG1), 4825 BD Breda, NL

Marijn van der Hoofden Olaf Dijkgraaf
Operations & Engineering Approval Manager

SKIL Europe BV, 4825 BD Breda, NL

05.08.2013

MÜRA/VIBRATSIOON

- Vastavalt kooskõlas normiga EN 60745 läbi viidud mõõtmistele on tööriista helirõhk 90 dB(A) ja helitugevus 101 dB(A) (standardkõrvalekalle: 3 dB), ja vibratsioon * m/s² (käe-randme-meetod; mõõtemääramatus K = 1,5 m/s²)
 - * pinda lihvimisel 8,1 m/s²
 - * lõikamisel 6,2 m/s²

! teised kasutusviisid (nagu lõikamine ja harjadega pinna puhastamine) võivad tekitada erineva tugevusega vibratsiooni

- Tekkiva vibratsiooni tase on mõõdetud vastavalt standardis EN 60745 kirjeldatud standarditud testile; seda võib kasutada tööriistade võrdlemiseks ja tööriista kasutamisel ettenähtud töödeks esineva vibratsiooni esialgseks hindamiseks
 - tööriista kasutamisel muudeks rakendusteks või teiste/ halvasti hooldatud tarvikute kasutamisel võib vibratsioon märkimisväärselt **suureneda**
 - ajal, kui tööriist on väljalülitatud või on küll sisselülitatud, kuid tegelikult seda ei kasutata, võib vibratsioon märkimisväärselt **väheneda**
- ! enda kaitsmiseks vibratsiooni eest hooldage tööriista ja selle tarvikuid korralikult, hoidke oma käed soojad ja tagage sujuv töökorraldus**

LV

Leņķa slīpmašīna

9176

IEVADS

- Šis instruments ir paredzēts metāla un mūrējumu slīpēšanai, griešanai un rupjai slīpēšanai, izmantojot sausās apstrādes metodes; iestiprinot instrumenta piemērotus darbinstrumentus, to var izmantot arī virsmu attīrīšanai (ar suku) un smalkai slīpēšanai
- Šis instruments nav paredzēts profesionālai lietošanai
- **Griešana ar līmētajiem abrazīvajiem griezējdiskiem atļauta tikai tad, ja tiek lietots griezējdiska aizsargs (SKIL papildaprīkojums 2610399439)**
- Izlasiet un saglabājiet šo pamācību ③

TEHNISKIE PARAMETRI ①

INSTRUMENTA ELEMENTI ②

- A Darbvārpsta
- B Piespiedējuzgrieznis
- C Uzgriežņu atslēga
- D Darbvārpstas fiksācijas poga
- E Papildrokturis
- F Aizsargs
- G Atbalsta paplāksne
- H Ieslēdzējs ar fiksāciju
- J Ventilācijas atveres

DROŠĪBA

VISPĀRĒJIE DARBA DROŠĪBAS NOTEIKUMI

⚠ UZMANĪBU! Rūpīgi izlasiet visus drošības noteikumus. Šeit sniegto drošības noteikumu un norādījumu neievērošana var izraisīt aizdegšanos un būt par cēloni elektriskajam triecienam vai nopietnam savainojumam. **Pēc izlasīšanas uzglabājiet šos noteikumus turpmākai izmantošanai.** Turpmākajā izklāstā lietotais apzīmējums "elektroinstrumenti" attiecas gan uz tīkla elektroinstrumentiem (ar elektrokabeļi), gan arī uz akumulatora elektroinstrumentiem (bez elektrokabeļa).

1) DROŠĪBA DARBA VIETĀ

- a) **Seko jiet, lai darba vieta būtu tīra un sakārtota.**
Nekārtīgā darba vietā vai sliktā apgaismojumā var viegli notikt nelaimes gadījums.
- b) **Nelietojiet elektroinstrumentu eksplozīvu vai ugunsnedrošu vielu tuvumā un vietās ar paaugstinātu gāzes vai putekļu saturu gaisā.** Darba laikā instrumentus nedaudz dzirksteļo, un tas var izsaukt viegli degošu putekļu vai tvaiku aizdegšanos.
- c) **Lietojot elektroinstrumentu, neļaujiet nepiederošām personām un jo īpaši bērniem tuvoties darba vietai.** Citu personu klātbūtnē var novērst uzmanību, un tā rezultātā jūs varat zaudēt kontroli pār instrumentu.

2) ELEKTRODROŠĪBA

- a) **Elektroinstrumenta kontaktdakšai jābūt piemērotai elektrotīkla kontaktligzdai. Kontaktdakšas konstrukciju nedrīkst nekādā veidā mainīt.** Nelietojiet kontaktdakšas salāgotājus, ja elektroinstrumentus caur kabeli tiek savienots ar aizsargzēmējuma ķēdi. Neizmainītas konstrukcijas kontaktdakšas, kas piemērotas kontaktligzdai, ļauj samazināt elektriskā trieciena saņemšanas risku.
- b) **Darba laikā nepieskarieties sazemētiem priekšmetiem, piemēram, caurulēm, radiatoriem, plītiņiem vai ledusskapjiem.** Pieskaroties sazemētiem virsmām, pieaug risks saņemt elektrisko triecienu.
- c) **Nelietojiet elektroinstrumentu lietus laikā, neturiet to mitrumā.** Mitrumam iekļūstot instrumentā, pieaug risks saņemt elektrisko triecienu.
- d) **Nenesiet un nepiekarīet elektroinstrumentu aiz elektrokabeļa.** Neraujiet aiz kabeļa, ja vēlaties atvienot instrumentu no elektrotīkla kontaktligzdas. Sargājiet elektrokabeļi no karstuma, eļļas, asām šķautnēm un instrumenta kustīgajām daļām. Bojāts vai samezģojies elektrokabeļis var būt par cēloni elektriskajam triecienam.
- e) **Darbinot elektroinstrumentu ārpus telpām, izmantojiet tā pievienošanai vienīgi tādas pagarinātājkaabeļus, kuru lietošana ārpus telpām ir atļauta.** Lietojot elektrokabeļi, kas piemēroti darbam ārpus telpām, samazinās risks saņemt elektrisko triecienu.
- f) **Ja elektroinstrumentu tomēr nepieciešams lietot vietās ar paaugstinātu mitrumu, izmantojiet tā pievienošanai noplūdes strāvas aizsargreleju.** Lietojot noplūdes strāvas aizsargreleju, samazinās risks saņemt elektrisko triecienu.

3) PERSONISKĀ DROŠĪBA

- a) **Darba laikā saglabājiet paškontroli un rīkojieties saskaņā ar veselo saprātu.** Pārtrauciet darbu, ja jūtaties noguris vai atrodaties alkohola, narkotiku vai medikamentu izraisītā reibumā. Strādājot ar elektroinstrumentu, pat viens neuzmanības mirklis var būt par cēloni nopietnam savainojumam.
- b) **Izmantojiet individuālos darba aizsardzības līdzekļus un darba laikā vienmēr nēsājiet aizsargbrilles.** Individuālo darba aizsardzības līdzekļu (putekļu maskas, neslīdošu apavu un aizsargķiveres vai ausu aizsargu) pielietošana atbilstoši elektroinstrumenta tipam un veicamā darba raksturam ļauj izvairīties no savainojumiem.

- c) **Nepieļaujiet elektroinstrumenta patvaļīgu ieslēgšanos.** Pirms elektroinstrumenta pievienošanas elektrotīklam, akumulatora ievietošanas vai izņemšanas, kā arī pirms elektroinstrumenta pārņemšanas pārliecinieties, ka tas ir izslēgts. Pārnesot elektroinstrumentu, ja pirksts atrodas uz ieslēdzēja, kā arī pievienojot to elektrobarošanas avotam laikā, kad elektroinstrumenti ir ieslēgti, var viegli notikt nelaimes gadījums.
 - d) **Pirms instrumenta ieslēgšanas neaizmirstiet izņemt no tā regulējošos instrumentus vai skrūvjatslēgas.** Patronatslēga vai skrūvjatslēga, kas instrumenta ieslēgšanas brīdī nav izņemta no tā, var radīt savainojumu.
 - e) **Strādājot ar elektroinstrumentu, ieturiet stingru stāju.** Darba laikā vienmēr saglabājiet līdzsvaru un centieties nepasīdēt. Tas atvieglos instrumenta vadību neparedzētās situācijās.
 - f) **Izvēlieties darbam piemērotu apģērbu.** Darba laikā nenēsājiet brīvi plandošas drēbes un rotaslietas. **Netuviniet matus, apģērbu un aizsargcimdus instrumenta kustīgajām daļām.** Vaļjīgas drēbes, rotaslietas un gari mati var ieķerties instrumenta kustīgajās daļās.
 - g) **Ja elektroinstrumenta konstrukcija ļauj tam pievienot ārējo putekļu uzsūkšanas vai savākšanas/uzkrāšanas ierīci, seko jiet, lai tā tiktu pievienota elektroinstrumentam un pareizi darbotos.** Pielietojot putekļu uzsūkšanu vai savākšanu/uzkrāšanu, samazinās to kaitīgā ietekme uz strādājošās personas veselību.
- ## 4) ELEKTROINSTRUMENTU LIETOŠANA UN APKOPE
- a) **Nepārslogojiet elektroinstrumentu.** Katram darbam izvēlieties piemērotu instrumentu. Elektroinstrumenti darbosies labāk un drošāk pie nominālās slodzes.
 - b) **Nelietojiet elektroinstrumentu, ja ir bojāts tā ieslēdzējs.** Elektroinstrumenti, ko nevar ieslēgt un izslēgt, ir bīstams lietošanai un to nepieciešams remontēt.
 - c) **Pirms elektroinstrumenta apkopes, regulēšanas vai darbinstrumenta nomainīšanas atvienojiet tā kontaktdakšu no barojošā elektrotīkla vai izņemiet no tā akumulatoru.** Šādi iespējams samazināt elektroinstrumenta nejaušas ieslēgšanās risku.
 - d) **Elektroinstrumentu, kas netiek darbināts, uzglabājiet piemērotā vietā, kur tas nav sasniedzams bērniem un personām, kuras neprot rīkoties ar instrumentu.** Ja elektroinstrumentu lieto nekompetentas personas, tas var apdraudēt cilvēku veselību.
 - e) **Rūpīgi veiciet elektroinstrumenta apkalpošanu.** Pārbaudiet, vai kustīgās daļas darbojas bez traucējumiem un nav iespiētas, vai kāda no daļām nav salauzta vai bojāta, vai katra no tām pareizi funkcionē un pilda tai paredzēto uzdevumu. **Nodrošiniet, lai bojātās daļas tiktu savlaicīgi nomainītas vai remontētas pilnvarotā remontu darbnīcā.** Daudzi nelaimes gadījumi notiek tāpēc, ka elektroinstrumenti pirms lietošanas nav pienācīgi apkalpoti.
 - f) **Savlaicīgi notīriet un uzasiniet griezošos darbinstrumentus.** Rūpīgi kopti instrumenti, kas

apgādāti ar asiem griežējinstrumentiem, ļauj strādāt daudz ražīgāk un ir vieglāk vadāmi.

- g) Lietojiet vienīgi tādus elektroinstrumentus, papīrpiederumus, darbinstrumentus utt., kas paredzēti attiecīgajam pielietojuma veidam. Bez tam jāņem vērā arī konkrētie darba apstākļi un pielietojuma īpatnības. Elektroinstrumentu lietošana citiem mērķiem, nekā to ir paredzējusi ražotājfirma, ir bīstama un var novest pie neparedzamām sekām.

5) APKALPOŠANA

- a) **Nodrošiniet, lai Instrumenta remontu veiktu kvalificēts personāls, nomaīnai izmantojot oriģinālās rezerves daļas un piederumus.** Tikai tā iespējams panākt instrumenta ilgstošu un nevainojamu darbību bez atteikumiem.

DROŠĪBAS NOTEIKUMI DARBAM AR LENĶA SLĪPMAŠĪNU

1) DROŠĪBAS NOTEIKUMI VISIEM DARBIEM

- a) Šis elektroinstrumenti ir lietojams kā slīpmašīna, kas piemērota arī slīpēšanai ar smilšpapīra loksni, darbam ar stieplu suku, un griešanai. Ņemiet vērā visas elektroinstrumentam pievienotās instrukcijas, norādījumus, attēlus un citu informāciju. Turpmāk sniegto norādījumu neievērošana var kļūt par cēloni elektriskajam triecienam, ugunsgrēkam un/vai smagam savainojumam.
- b) Šis elektroinstrumenti nav ieteicams izmantot pulēšanai. Tādu darbību veikšana, kurām šis darbinstruments nav paredzēts, var nodarīt kaitējumu un izraisīt savainojumus.
- c) **Neizmantojiet piederumus, kurus ražotājfirma nav paredzējusi šim elektroinstrumentam un ieteikusi lietošanai kopā ar to.** Iespēja nostiprināt piederumu uz elektroinstrumenta vēl negarantē tā drošu lietošanu.
- d) **Darbinstrumentu pieļaujamajam griešanās ātrumam jābūt ne mazākam par elektroinstrumenta maksimālo griešanās ātrumu.** Piederumi, kas griežas ātrāk, nekā tas ir pieļaujams, var tikt bojāti.
- e) **Darbinstrumentu ārējam diametram un biežumam jāatbilst elektroinstrumenta konstrukcijai un izmēriem.** Ja darbinstrumenta izmēri ir izvēlēti nepareizi, tas pilnībā nenovietojas zem aizsarga un darba laikā apgrūrina instrumenta vadību.
- f) **Darbinstrumentiem, kas stiprināmi ar vītnes palīdzību, stiprinājai vītnei precīzi jāatbilst slīpmašīnas darbvārpstas vītnei.** Darbinstrumentiem, kas stiprināmi ar balstaplāksnes palīdzību, atvēruma diametram jāatbilst balstaplāksnes stiprinošā pacēluma diametram. Darbinstrumenti, kas nav precīzi nostiprināti uz elektroinstrumenta darbvārpstas, nevienmērīgi griežas, ļoti spēcīgi vibrē un var izraisīt kontroles zaudēšanu pār elektroinstrumentu.
- g) **Neizmantojiet bojātus darbinstrumentus. Ik reizi pirms darbinstrumentu lietošanas pārbaudiet, vai tie nav bojāti, piemēram, vai slīpēšanas diski nav atslāņojušies vai iekļāvušies, vai slīpēšanas pamatnē nav vērojamas plaisas un vai stieplu suku veidojošās stieples nav vaļīgas vai atlūzušas. Ja elektroinstrumenti vai darbinstruments ir kritiski bojāti, nekavējoties pārtrauciet darbu, pārbaudiet, vai tas nav bojāts, vai**

arī izmantojiet darbam nebojātu darbinstrumentu. Pēc darbinstrumenta apskates un iestiprināšanas ļaujiet elektroinstrumentam darboties ar maksimālo griešanās ātrumu vienu minūti ilgi, turot rotējošo darbinstrumentu drošā attālumā no sevis un citām tuvumā esošajām personām. Bojātie darbinstrumenti šādās pārbaudes laikā parasti salūst.

- h) **Lietojiet individuālos darba aizsardzības līdzekļus**
- ④. **Atkarībā no veicamā darba rakstura izvēlieties pilnu sejas aizsargu, noslēdzošās aizsargbrilles vai parastās aizsargbrilles. Lai aizsargātos no lidojošajām slīpēšanas darbinstrumenta un apstrādājamā materiāla daļiņām, pēc vajadzības lietojiet putekļu aizsargmasku, ausu aizsargu un aizsargcimdus vai arī īpašu priekšautu.** Lietotāja acis jāpasargā no lidojošajiem svešķermeņiem, kas dažkārt rodas darba gaitā. Putekļu aizsargmaskai vai respiratoram jāpasargā lietotāja elpošanas ceļi no putekļiem, kas veidojas darba laikā. Ilgstoši iedarbojoties stipram troksnim, var rasties paliekoši dzirdes traucējumi.
- i) **Sekojiet, lai citas personas atrastos drošā attālumā no darba vietas. Ikvienam, kas atrodas darba vietas tuvumā, jālieto individuālie darba aizsardzības līdzekļi.** Apstrādājamā priekšmeta atlūzas vai salūzuša darbinstrumenta daļas var lidot ar ievērojamu ātrumu un nodarīt kaitējumu cilvēku veselībai arī zināmā attālumā no darba vietas.
- j) **Veicot darbu, kura laikā darbinstruments var skart slēptus elektriskos vadus vai paša instrumenta elektrokabeli, turiet instrumentu tikai aiz izolētajām virsmām.** Darbinstrumentam skatot spriegumnesošu vadus, spriegums nonāk arī uz instrumenta metāla daļām un var būt par cēloni elektriskajam triecienam.
- k) **Netuviniet rotējošu darbinstrumentu elektrokabelim.** Zūdot kontrolei pār instrumentu, darbinstruments var pārgriezt kabeli vai ieķerties tajā, kā rezultātā lietotāja roka var saskarties ar rotējošo darbinstrumentu.
- l) **Neenoviniet elektroinstrumentu, kamēr tajā iestiprinātais darbinstruments nav pilnīgi apstājies.** Rotējošais darbinstruments var skart atbalsta virsmu, kā rezultātā elektroinstrumenti var kļūt nevadāms.
- m) **Nedarbiniet elektroinstrumentu laikā, kad tas tiek pārnesti.** Lietotāja apģērbs vai mati var nejauši nonākt saskarē ar rotējošo darbinstrumentu un ieķerties tajā, izsaukot darbinstrumenta saskaršanos ar lietotāja ķermeni.
- n) **Regulāri tīriet elektroinstrumenta ventilācijas atveres.** Dzinēju ventilējošā gaisa plūsma ievēl putekļus instrumenta korpusā, bet liela metāla putekļu daudzuma uzkrāšanās var būt par cēloni elektrotraumai.
- o) **Nelietojiet elektroinstrumentu ugunsnedrošu materiālu tuvumā.** Lidojošās dzirksteles var izsaukt šādu materiālu aizdegšanos.
- p) **Nelietojiet darbinstrumentus, kuriem jāpievada dzesējošais šķidrums.** Ūdens vai citu šķidro dzesēšanas līdzekļu izmantošana var būt par cēloni elektriskajam triecienam.
- 2) **ATSITIENS UN AR TO SAISTĪTIE NORĀDĪJUMI**
- Atsitiens ir specifiska instrumenta reakcija, pēkšņi ieķeroties vai iestrēgstot rotējošam darbinstrumentam, piemēram, slīpēšanas diskam, slīpēšanas pamatnei, stieplu sukai u.t.t. Rotējoša darbinstrumenta ieķēršanās

- vai iestrēgšana izsauca tā pēkšņu apstāšanos. Tā rezultātā elektroinstrumenti pārvietojas virzienā, kas pretējs darbinstrumenta kustības virzienam iestrēguma vietā, un nereti kļūst nevadāms.
- Ja, piemēram, slīpēšanas disks iekeras vai iestrēgst apstrādājamajā priekšmetā, tajā iegremdētā diska mala var izrauties no apstrādājamā materiāla vai izraisīt atsitienu. Šādā gadījumā slīpēšanas disks pārvietojas lietotāja virzienā vai arī prom no viņa, atkarībā no diska rotācijas virziena attiecībā pret apstrādājamo priekšmetu. Turklāt slīpēšanas disks var salūzt.
 - Atsitiens ir sekas elektroinstrumenta nepareizai vai neprasmīgai lietošanai. No tā var izvairīties, ievērojot zināmus piesardzības pasākumus, kas aprakstīti turpmākajā izklāstā.
- a) **Stingri turiet elektroinstrumentu un ieņemiet tādu ķermeņa un roku stāvokli, kas vislabāk ļautu pretoties atsitienu spēkam. Vienmēr izmantojiet papildrokturi, kas ļauj optimāli kompensēt atsitienu vai reaktīvo griezes momentu un saglabāt kontroli pār instrumentu.** Veicot zināmus piesardzības pasākumus, lietotājs jebkurā situācijā spēj efektīvi pretoties atsitienu un reaktīvajam griezes momentam.
 - b) **Netuviniet rokas rotējošam darbinstrumentam.** Atsitienu gadījumā darbinstrumenti var saskarties ar lietotāja roku.
 - c) **Izvairieties atrasties vietā, kurp varētu pārvietoties elektroinstrumenti, notiekot atsitienu.** Atsitienu gadījumā elektroinstrumenti pārvietojas virzienā, kas pretējs darbinstrumenta kustības virzienam iestrēguma vietā.
 - d) **Ievērojiet īpašu piesardzību, strādājot stūru un asu malu tuvumā. Nepieļaujiet, lai darbinstrumenti atlektu no apstrādājamā priekšmeta vai iestrēgtu tajā. Saskaņoties ar stūriem vai asām malām rotējošais darbinstruments izliecas un atlec no apstrādājamā priekšmeta vai iestrēgst tajā.** Tas var būt par cēloni kontroles zaudēšanai pār instrumentu vai atsitienu.
 - e) **Nelietojiet zāga asmeņus, kas apgādāti ar zobiem un/vai ir paredzēti koka zāgēšanai.** Šādu darbinstrumentu izmantošana var būt par cēloni atsitienu vai kontroles zaudēšanai pār elektroinstrumentu.
- ### 3) ĪPAŠIE DROŠĪBAS NOTEIKUMI, VEICOT SLĪPĒŠANU UN ABRAZĪVU GRIEŠANU
- a) **Lietojiet vienīgi jūsu rīcībā esošajam elektroinstrumentam piemērotus slīpēšanas darbinstrumentus un šādiem darbinstrumentiem paredzētu aizsargu.** Aizsargs var nepietiekami nosegt nepiemērotus slīpēšanas darbinstrumentus, līdz ar to nelaujot panākt vēlamu darba drošību.
 - b) **Izliekti slīpdiski jāiestiprina tā, lai to slīpvirsmā neizvirzītos pāri aizsargpārsega malai.** Nepareizi iestiprināts slīpdisks, kas izvirzās pāri aizsargpārsega malai, nevar tikt pietiekoši veidā nosegts.
 - c) **Aizsargam jābūt droši nostiprinātam uz elektroinstrumenta un uzstādāmam tā, lai būtu iespējams panākt iespējami lielāku darba drošību, t.i., lai lietotāja virzienā būtu vērsta iespējami mazāka slīpēšanas darbinstrumenta neseģtā daļa.** Aizsarga uzdevums ir pasargāt lietotāju no
 - 1) lidojošajām daļiņām, saskaršanās ar slīpēšanas darbinstrumentu un dzirkstelēm, kas var aizdedzināt drēbes.
 - 2) **Slīpēšanas darbinstrumentu drīkst izmantot vienīgi tādā veidā, kādam tas ir paredzēts.** Piemēram, nekad neizmantojiet slīpēšanai griešanas diska sānu virsmu. Griešanas disks ir paredzēts materiālu apstrādei ar malas griezējšķautni. Stiprs spiediens sānu virzienā var sagraut šo darbinstrumentu.
 - 3) **Kopā ar izvēlēto slīpēšanas disku izmantojiet vienīgi nebojātu piespiedējuzgriezni ar piemērotu formu un izmēriem.** Piemērota tipa piespiedējuzgrieznis darba laikā droši balsta slīpēšanas disku un samazina tā salūšanas iespēju. Kopā ar griešanas diskiem izmantojamie piespiedējuzgriežņi var atšķirties no piespiedējuzgriežņiem, kas lietojami kopā ar citu veidu slīpēšanas diskiem.
 - 4) **Neizmantojiet nolietotus slīpēšanas diskus, kas paredzēti lielākas jaudas elektroinstrumentiem.** Lielākiem elektroinstrumentiem paredzētie slīpēšanas diski nav piemēroti darbam mazākos elektroinstrumentos, kuru griešanās ātrums parasti ir lielāks, un tāpēc tie darba laikā var salūzt.
- ### 4) CITI ĪPAŠIE DROŠĪBAS NOTEIKUMI, VEICOT GRIEŠANU
- a) **Neizdariet pārlieku lielu spiedienu uz griešanas disku un nepieļaujiet tā iestrēgšanu. Neveidojiet pārāk dziļus griezumus.** Pārslogojot griešanas disku, tas biežāk iekeras vai iestrēgst griezumā, un līdz ar to pieaug arī atsitienu vai darbinstrumenta salūšanas iespēja.
 - b) **Izvairieties atrasties rotējošā griešanas diska priekšā vai aiz tā.** Ja darba laikā lietotājs pārvieto griešanas disku prom no sevis apstrādājamā priekšmeta virzienā, tad atsitienu gadījumā elektroinstrumenti ar rotējošu griešanas disku tiks sviests tieši lietotāja virzienā.
 - c) **Pārtraucot darbu vai iestrēgstot griešanas diskam, izslēdziet elektroinstrumentu un turiet to nekustīgi, līdz griešanas disks pilnīgi apstājas. Nemēģiniet izvilkēt no griezuma vēl rotējošu griešanas disku, jo šāda darbība var būt par cēloni atsitienu.** Noskaidrojiet un novērsiet diska iestrēgšanas cēloni.
 - d) **Neieslēdziet elektroinstrumentu no jauna, ja tajā iestiprinātais darbinstruments atrodas griezumā. Pēc ieslēgšanas nogaidiet, līdz darbinstruments sasniedz pilnu griešanās ātrumu, un tikai tad uzmanīgi turpiniet griešanu.** Pretējā gadījumā griešanas disks var iekerties griezumā vai izlekt no tā, kā arī var notikt atsitiens.
 - e) **Lai samazinātu atsitienu risku, iestrēgstot griešanas diskam, atbalstiet griezamā materiāla loksnes vai liela izmēra apstrādājamies priekšmetus.** Lieli priekšmeti var saliekties paši sava svara iespaidā. Apstrādājamais priekšmets jāatbalsta abās pusēs - gan griezuma tuvumā, gan arī priekšmeta malā.
 - f) **Ievērojiet īpašu piesardzību, veidojot padziļinājumus sienās vai citos objektos, kas nav aplūkojami no abām pusēm.** Iegremdējot griešanas disku materiālā, tas var skart gāzes vadu, ūdensvadu, elektropārvades līniju vai citu objektu, kas savukārt var izraisīt atsitienu.

5) ĪPAŠIE DROŠĪBAS NOTEIKUMI, VEICOT SLĪPĒŠANU AR SMILŠPĀPIRA LOKSNI

- a) **Neizmantojiet lielāka izmēra slīploknes, izvēlieties darbam slīploknes ar izmēriem, ko norādījusi rašotājfirma.** Ja slīplokne sniedzas pāri slīpēšanas pamatnes malām, tas var būt par cēloni sašvainojumam, izsaukt slīploknes iestrēgšanu vai plīšanu, kā arī izraisīt atsitienu.

6) ĪPAŠIE DROŠĪBAS NOTEIKUMI, VEICOT APSTRĀDI AR STIEPĻU SUKU

- a) **Sekoiet, lai darba laikā stieplu sukai neizkristu vai nenolūztu atsevišķas stieples. Nepārslogojiet sukas stieples, stipri spiešot uz to.** Nolūzušās stieples lido ar lielu ātrumu un var ļoti viegli izkļūt caur plānu apšērbu vai matiem.
- b) **Lietojot aizsargu, nepieļaujiet tā saskaršanos ar stieplu suku.** Diskveida un kausveida stieplu sukām spiediena un centrālās spēka iespaidā var palielināties diametrs.

VISPĀRĒJIE DROŠĪBAS NOTEIKUMI

- Šis instruments nav paredzēts mitrai slīpēšanai un griešanai
- Izmantojiet tikai instrumenta piegādes komplektā ietilpstošos piespiedējuzgriežņus
- Šo instrumentu nedrīkst izmantot personas, kas jaunākas par 16 gadiem
- **Pirms instrumenta regulēšanas vai piederumu nomaiņas atvienojiet to no barojošā elektrotīkla PĀRILDPĪDERUMI**

- Firma SKIL garantē instrumenta nevainojamu darbību tikai tad, ja tiek lietoti oriģinālie papildpiederumi
- **Lietojiet tikai slīpēšanas vai griešanas diskus ar maksimālo biezumu 8 mm un vārpstas cauruma diametru 22 mm**
- Uzstādot/izmantojot citu firmu papildpiederumus, ievērojiet to ražotāju sniegtās instrukcijas
- Nelietojiet palīgpiederumus vai adapterus, lai pielāgotu uzstādīšanai slīpēšanas vai griešanas diskus ar lielāka diametra centrālo atveri
- Neizmantojiet papildpiederumus ar "aklo" vītņoto atveri, kas ir mazāka par M14 x 21 mm

STRĀDĀJOT ĀRPUS TĒLPĀM

- Ja instruments tiek izmantots ārpus telpām, pievienojiet to elektriskajam spriegumam, izmantojot noplūdes strāvas aizsargreleju, kas nostrādā, ja strāva instrumenta aizsargzemeļuma ķēdē pārsniedz 30 mA

PIRMS DARBA UZSĀKŠANAS

- Pirms lietojat instrumentu pirmo reizi, ieteicams saņemt praktisku informāciju par tā darbības principiem
- Vienmēr pārliecinieties, ka spriegums, kas uzrādīts uz instrumenta marķējuma plāksnītes, atbilst padeves spriegumam elektrotīklā (230V vai 240V spriegumam paredzētie instrumenti var darboties arī no 220V elektrotīkla)
- Pirms instrumenta lietošanas obligāti nostipriniet uz tā papildrokturi E ② un aizsargu F ②
- **Ar piemērota metālmeklētāja palīdzību pārbaudiet, vai apstrādes vietu nešķērso slēptas elektropārvades līnijas, kā arī gāzes vai ūdens caurules; šaubu gadījumā griezieties vietējā komunālās saimniecības iestādē (darbinstrumentam**

skarot elektrotīkla fāzes līniju, var izcelties ugunsgrēks un strādājošais var saņemt elektrisko triecienu; gāzes vada bojājums var izraisīt sprādzienu; darbinstrumentam skarot ūdensvada cauruli, var tikt bojātas materiālās vērtības un strādājošais var saņemt elektrisko triecienu)

- **Neapstrādājiet materiālus, kas satur azbestu** (azbestam piemīt kancerogēnas īpašības)
- Materiāla (piemēram, svinu saturošas krāsas, dažu koka šķirņu, minerālu un metāla) putekļi var būt kaitīgi (saskare ar putekļiem vai to ieelpošana var izraisīt alerģiskas reakcijas un/vai elpošanas ceļu saslimšanas operatoram vai klātesošajiem); **izmantojiet putekļu masku un putekļsūcēju, ja to iespējams pievienot**
- Dažu veidu putekļi ir klasificēti kā kancerogēni (piemēram, ozola vai dižskābarža putekļi), jo īpaši apvienojumā ar koksnes kondicionēšanas piedevām; **izmantojiet putekļu masku un putekļsūcēju, ja to iespējams pievienot**
- Ievērojiet ar putekļu savākšanu saistītos nacionālos noteikumus, kas attiecas uz apstrādājamajiem materiāliem
- Esiet uzmanīgs, griežot dažādas ailes, īpaši ēku nesošajās sienās (aiļu veidošana nesošajās sienās tiek reglamentētas katras valsts likumdošanā, un šie noteikumi obligāti jāievēro)
- **Nostipriniet apstrādājamo detaļu** (to ir drošāk nostiprināt ar spailēm vai skrūvspīlēm, nevis turēt rokā)
- Nenostipriniet instrumentu, iespējot to skrūvspīlēs
- Lietojiet pilnīgi atītus un drošus pagarinātājkabeļus, kas paredzēti 16 A strāvai

DARBA LAIKĀ

- Ja darba laikā tiek pārgriezts vai citādi mehāniski bojāts instrumenta elektrokabelis, nepieskarieties tam, bet nekavējoties atvienojiet elektrokabeļa kontaktdakšu no barojošā elektrotīkla
- Neizmantojiet instrumentu, ja tam ir bojāts elektrokabelis; tā nomaiņu drīkst veikt tikai pieredzējis speciālists
- Elektriska vai mehāniska rakstura kļūmes gadījumā nekavējoties izslēdziet instrumentu un atvienojiet kabeļa kontaktdakšu no elektrotīkla
- Ja darba laikā pārtrūkst elektrobarošanas padeve vai elektrokabeļa kontaktdakša nejausi atvienojas no elektrotīkla, nekavējoties defiksēdziet ieslēdzēja (H ②), lai nodrošinātos pret tā patvaļīgu ieslēgšanos

PĒC DARBA PABEIGŠANAS

- Pēc instrumenta izslēgšanas nebremzējiet rotējošo darbinstrumentu ar sānspiedienu

DARBS

- Darbinstrumentu iestiprināšana ②
 - ! **atvienojiet instrumentu no elektrotīkla**
 - pirms darbinstrumenta iestiprināšanas notīriet darbvārpstu A un pārējās iestiprināmās daļas
 - nospiediet darbvārpstas fiksācijas pogu D un ar uzgriežņu atslēgas C palīdzību stingri pievelciet piespiedējuzgriezni B
 - ! **darbvārpstas fiksācijas pogu D drīkst nospiegt tikai tad, kad instrumenta darbvārpsta A atrodas miera stāvoklī**
 - lai noņemtu darbinstrumentu, rīkojieties pretējā secībā

- ! **darba gaitā slīpēšanas un griešanas diski stipri sakarst, tādēļ nepieskarieties tiem, pirms darbinstrumenti nav atdzisuši**
- ! **lietojot slīpēšanai paredzētus darbinstrumentus, iestipriniet arī gumijas pamatni**
- ! **neizmantojiet slīpēšanas vai griešanas diskus bez ražotājfirmas marķējuma atraujamas uzlīmes veidā (ja tāds ir paredzēts)**
- Papildroktura E pievienošana ⑥
 - ! **atvienojiet instrumentu no elektrotīkla**
 - ieskrūvējiet papildrokturi E instrumenta galvas labajā, augšējā vai kreisajā pusē (atbilstoši veicamā darba raksturam)
- Aizsarga F noņemšana/uzstādīšana/iestādīšana ⑦
 - ! **atvienojiet instrumentu no elektrotīkla**
 - ! **aizsarga slēgtajai pusei vienmēr jābūt vērstai operatora virzienā**
- Pirms darba uzsākšanas
 - pārbaudiet, vai darbinstruments ir pareizi novietots uz darbvirsmas stingri nostiprināts
 - pagriežot darbinstrumentu ar roku, pārbaudiet, vai tas var brīvi rotēt
 - pārbaudiet instrumentu, turot to drošā stāvoklī un ļaujot darboties pie maksimālā brīvgaits ātruma vismaz 30 sekundes
 - ja ir novērojama stipra vibrācija vai tiek konstatēti kādi citi defekti, nekavējoties izslēdziet un pārbaudiet instrumentu
- Ieslēdzējs ar fiksāciju H ⑧
 - ieslēdziet instrumentu ⑧a
 - ! **ņemiet vērā, ka instrumenta ieslēgšanas brīdī var notikt pēkšņs grūdiens**
 - ! **kontaktējiet darbinstrumentu ar apstrādājamo materiālu tikai pēc tam, kad instrumenta ātrums ir sasniedzis nominālo vērtību**
 - fiksējiet ieslēdzēju ⑧b
 - defiksējiet ieslēdzēju/izslēdziet instrumentu ⑧c
 - ! **pirms instrumenta izslēgšanas paceliet to no apstrādājamā priekšmeta virsmas**
 - ! **darbinstruments zināmu laiku turpina griezties arī pēc instrumenta izslēgšanas**
- Slīpēšana ⑨
 - darba laikā pārvietojiet instrumentu turp un atpakaļ, izdarot uz apstrādājamo virsmu mērenu spiedienu
 - ! **nekādā gadījumā neizmantojiet griešanas disku, lai veiktu sānu slīpēšanu**
- Griešana ⑩
 - darba laikā nesasveriet instrumentu sānu virzienā
 - lai izvairītos no atslēgšanas (parādības, kad griešanas disks darba laikā patvaļīgi atlec no saskares punkta un tiek rauts augšup), pārvietojiet instrumentu uz instrumenta galvas attēlotās bultas vērsuma virzienā
 - ļaujiet, lai instruments griešanu veic brīvi, neizdariet uz to lielu spiedienu
 - griešanas diska darba ātrums ir atkarīgs apstrādājama materiāla īpašībām
 - nebremzējiet rotējošu griešanas disku ar sānu spiedienu
- Instrumenta turēšana un vadīšana
 - lai nodrošinātu pilnīgu kontroli pār instrumentu, stingri turiet to ar abām rokām
 - ! **darba laikā vienmēr turiet instrumentu aiz pelēkās krāsas noturvirsmas(ām) ⑪**

- darba laikā nodrošiniet kājām stingru atbalstu
- pievērsiet uzmanību darbinstrumenta rotācijas virzienam; vienmēr turiet instrumentu tā, lai slīpēšanas vai griešanas procesā radušās dzirksteles un putekļi lidotu prom no operatora
- nenosprostojiet instrumenta ventilācijas atveres J ⑫

PRAKTISKI PADOMI

- Piespiedējuzgriežņa B ⑫ vietā var izmantot ātrās stiprināšanas piespiedējuzgriezni "CLIC" (SKIL pasūtījuma 2610388766); slīpēšanas un griešanas diskus šādā gadījumā var iestiprināt bez jebkādu instrumentu palīdzības
- Papildu ieteikumi ir sniegti datortīkla vietnē www.skil.com

APKALPOŠANA / APKOPE

- Šis darbarīks nav paredzēts profesionālai lietošanai
- Uzturiet tīru instrumentu un elektrokabeli (īpaši ventilācijas atveres J ⑫)
 - ! **nemēģiniet tīrīt ventilācijas atveres, ievadot tajās smailus priekšmetus**
 - ! **pirms instrumenta tīrīšanas atvienojiet to no elektrotīkla**
- Ja, neraugoties uz augsto izgatavošanas kvalitāti un rūpīgo pēcražošanas pārbaudi, instruments tomēr sabojājas, tas jānogādā remontam firmas SKIL pilnvarotā elektroinstrumentu remonta darbnīcā
 - nogādājiet instrumentu **neizjauktā veidā** kopā ar iegādēto dokumentiem tuvākajā tirdzniecības vietā vai firmas SKIL pilnvarotā pēciegādes apkalpošanas un remonta iestādē (adreses un instrumenta apkalpošanas shēma ir sniegta interneta vietnē www.skil.com)

APKĀRTĒJĀS VIDES AIZSARDZĪBA

- **Neizmetiet elektroiekārtas, piederumus un iesaiņojuma materiālus sadzīves atkritumos** (tikai ES valstīm)
 - saskaņā ar Eiropas Savienības direktīvu 2002/96/ES par nolietotajām elektriskajām un elektroniskajām iekārtām un tās atspoguļojumiem nacionālajā likumdošanā, nolietotās elektroiekārtas ir jāsavāc, jāizjauca un jānogādā atsevišķi pārstrādei apkārtējai videi nekaitīgā veidā
 - īpašs simbols ⑬ atgādina par nepieciešamību izstrādājumus izmantot videi nekaitīgā veidā

ATBILSTĪBAS DEKLARĀCIJA € €

- Mēs ar pilnu atbildību paziņojam, ka sadaļā "Tehniskie parametri" aprakstītais izstrādājums atbilst šādiem standartiem vai normatīvajiem dokumentiem: EN 60745, EN 61000, EN 55014, kā arī direktīvām 2004/108/EK, 2006/42/EK, 2011/65/ES

- **Tehniskā dokumentācija no:** SKIL Europe BV (PT-SEU/ENG1), 4825 BD Breda, NL

Marijn van der Hoofden Olaf Dijkgraaf
Operations & Engineering Approval Manager




SKIL Europe BV, 4825 BD Breda, NL

05.08.2013

TROKSNIS/VIBRĀCIJA

- Saskaņā ar standartu EN 60745 noteiktais instrumenta radītā trokšņa skaņas spiediena līmenis ir 90 dB(A) un skaņas jaudas līmenis ir 101 dB(A) (pie tipiskās izkliedes 3 dB), un vibrācijas paātrinājums ir * m/s² (roku-delnu metode; izkliede K = 1,5 m/s²)
 - * slīpējot virsmas 8,1 m/s²
 - * griešajot 6,2 m/s²
- ! **citiem pielietojuma veidiem (piemēram, griešanai vai apstrādei ar stieplu suku) vibrācijas paātrinājuma vērtības var atšķirties**
- Vibrācijas līmenis ir noteikts, izmantojot standartā EN 60745 paredzēto procedūru; to var izmantot, lai salīdzinātu instrumentus un provizoriski izvērtētu vibrācijas iedarbību, lietojot instrumentu minētajiem mērķiem
 - instrumenta izmantošana citiem mērķiem vai ar citiem vai nepietiekami koptiem piederumiem var ievērojami palielināt kopējo vibrācijas iedarbības pakāpi
 - laika periodi, kad instruments ir izslēgts vai arī ir ieslēgts, taču darbs ar to nenotiek, var ievērojami samazināt kopējo vibrācijas iedarbības pakāpi
- ! **pasargājiet sevi no vibrācijas iedarbības, veicot instrumenta un tā piederumu tehnisko apkopi, novēršot roku atdzišanu un pareizi organizējot darbu**

LT

Kampinis šlifuoklis

9176

ĪVADAS

- Šis prietaiss skirtas metālo ir akmens rupiam apdīrbībai, pjaustymui ir šveitīmui, nenaudojant vandens; su tinkama papildoma ieranga šiu prietaisu taip pat galima atlikti pirminj šlifavimą ir šlifuoti
- Šis prietaiss neskirtas profesionaliam naudojimui
- **Pjauti dvilypiais abrazyviniais pjovimo diskais galima tik naudojant pjovimo apsaugą (SKIL priedas 2610399439)**
- Perskaitykite ir išsaugokite šią naudojimo instrukciją ③

TECHNINIAI DUOMENYS ①

PRIETAISO ELEMENTAI ②

- A Suklys
- B Prispaudžiamasis flanšas
- C Priveržiamasis raktas

- D Suklio blokavimo mygtukas
- E Pagalbinė rankena
- F Apsauginis gaubtas
- G Tvirtinamasis flanšas
- H Fiksuojamas įjungimo/išjungimo jungiklis
- J Ventiliacinės angos

SAUGA

BENDROSIOS DARBO SAUGOS INSTRUKCIJOS

⚠ DĒMESIO! Perskaitykite visas šias saugos nuorodas ir reikalavimus. Jei nepaisysite žemiau pateiktų saugos nuorodų ir reikalavimų, gali trenkti elektros smūgis, kilti gaisras ir/arba galite sunkiai susižaloti arba sužaloti kitus asmenis. **Išsaugokite šias saugos nuorodas ir reikalavimus, kad ir ateiityje galėtumėte jais pasinaudoti.** Toliau pateiktame tekste vartojama sąvoka "elektrinis įrankis" apibūdina įrankius, maitinamus iš elektros tinklo (su maitinimo laidu), ir akumuliatorinius įrankius (be maitinimo laido).

1) DARBO VIETOS SAUGUMAS

- Darbo vieta turi būti švari ir tvarkinga.** Tinkama ar blogai apšviesta darbo vieta gali tapti nelaimingų atsitikimų priežastimi.
- Nedirbkite tokioje aplinkoje, kur yra degių skysčių, dujų ar dulkių.** Elektriniai įrankiai gali kibirkščiuoti, o nuo kibirkščių dulkės arba susikaupę garai gali užsidegti.
- Dirbdami su elektriniu įrankiu neleiskite šalia būti žiūrovams, vaikams ir lankytojams.** Nukreipę dėmesį į kitus asmenis galite nebesuvaldyti prietaiso.

2) ELEKTROSAUGA

- Maitinimo laido kištukas turi atitikti tinklo rozetės tipą.** Kištuko jokiū būdu negalima modifikuoti. **Nenaudokite jokių kištuko adapterių su žemintais prietaisais.** Originalūs kištukai, tiksliai tinkantys elektros tinklo rozetei, sumažina elektros smūgio pavojų.
- Venkite kūno kontakto su žemintais paviršiais, tokiais kaip vamzdžiai, šildytuvai, viryklės ar šaldytuvai.** Egzistuoja padidinta elektros smūgio rizika, jei Jūsų kūnas bus žemintas.
- Saugokite prietaisą nuo lietaus ir drėgmės.** Jei vanduo patenka į elektrinį prietaisą, padidėja elektros smūgio rizika.
- Nenaudokite maitinimo laido ne pagal paskirtį, t. y. neneškite prietaiso paėmę už laido, nekabinkite prietaiso už laido, netraukite už jo, norėdami išjungti kištuką iš rozetės. Laidą klokite taip, kad jo neveiktų karštis, jis neišsitemptų alyva ir jo nepažeistų aštrios detalės ar judančios prietaiso dalys.** Pažeisti arba susipynę laidai gali tapti elektros smūgio priežastimi.
- Jei su elektriniu įrankiu dirbate lauke, naudokite tik tokius ilginimo kabelius, kurie tinka lauko darbams.** Naudojant lauko darbams pritaikytus ilginimo kabelius, sumažinamas elektros smūgio pavojus.
- Jei su elektriniu įrankiu neišvengiamai reikia dirbti drėgnoje aplinkoje, naudokite žemimo grandinės pertraukiklį.** Naudojant žemimo grandinės pertraukiklį, sumažėja elektros smūgio pavojus.

3) ŽMONIŲ SAUGA

- a) **Būkite atidūs, sutelkite dėmesį į tai, ką Jūs darote ir, dirbdami su elektriniu įrankiu, vadovaukitės sveiku protu. Nedirbkite su prietaisu, jei esate pavargę arba vartojate narkotikus, alkoholį ar medikamentus.** Akimirksnio neatidumas naudojant prietaisą gali tapti rimtų sužalojimų priežastimi.
- b) **Naudokite asmenines apsaugos priemones ir visuomet užsidėkite apsauginius akinius.** Naudojant asmenines apsaugos priemones, pvz., respiratorių ar apsauginę kaukę, neslystantčius batus, apsauginį šalną, klausos apsaugos priemones ir kt., rekomenduojamas dirbant su tam tikros rūšies įrankiais, sumažėja rizika susižeisti.
- c) **Saugokitės, kad neįjungtumėte prietaiso atsitiktinai. Prieš prijungdami elektrinį įrankį prie elektros tinklo ir/arba akumuliatoriaus, prieš pakeldami ar nešdami įsitikinkite, kad jis yra išjungtas.** Jeigu nešdami elektrinį įrankį pirštą laikysite ant jungiklio arba prietaisą įjungsite į elektros tinklą, kai jungiklis yra įjungtas, gali įvykti nelaimingas atsitikimas.
- d) **Prieš įjungdami prietaisą pašalinkite reguliavimo įrankius arba veržlių raktus.** Prietaiso besisukančioje dalyje esantis įrankis ar raktas gali tapti sužalojimų priežastimi.
- e) **Nepervertinkite savo galimybių. Dirbdami atsistokite patikimai ir visada išlaikykite pusiausvyrą.** Patikima stovėseną ir tinkamą kūno laikyseną leis geriau kontroliuoti prietaisą netikėtose situacijose.
- f) **Dėvėkite tinkamą aprangą. Nedėvėkite plačių drabužių ir papuošalų. Saugokite plaukus, drabužius ir pirštines nuo besisukančių prietaiso dalių.** Laisvus drabužius, papuošalus bei ilgus plaukus gali įtraukti besisukančios dalys.
- g) **Jei yra numatyta galimybė prijungti dulkių nusiurbimo ar surinkimo įrenginius, visada įsitikinkite, ar jie yra prijungti ir ar teisingai naudojami.** Naudojant dulkių nusiurbimo įrenginius sumažėja kenksmingas dulkių poveikis.

4) RŪPESTINGA ELEKTRINIŲ ĮRANKIŲ PRIEŽIŪRA IR NAUDOJIMAS

- a) **Neperkraukite prietaiso. Naudokite Jūsų darbui tinkamą elektrinį įrankį.** Su tinkamu elektriniu įrankiu Jūs dirbsite geriau ir saugiau, jei neviršysite nurodyto galingumo.
- b) **Nenaudokite elektrinio įrankio su sugedusiu jungikliu.** Elektrinis įrankis, kurio nebegalima įjungti ar išjungti, yra pavojingas ir jį reikia remontuoti.
- c) **Prieš reguliuodami prietaisą, keisdami darbo įrankius ar prieš valydami prietaisą, iš elektros tinklo lizdo ištraukite kištuką ir/arba išimkite akumuliatorių.** Ši saugumo priemonė apsaugos jus nuo netikėto prietaiso įsijungimo.
- d) **Nenaudojamą prietaisą sandėliuokite vaikams ir nemokantiems juo naudotis asmenims neprieinamoje vietoje.** Elektriniai įrankiai yra pavojingi, kai juos naudoja nepatyrę asmenys.
- e) **Rūpestingai prižiūrėkite prietaisą. Tikrinkite, ar besisukančios prietaiso dalys tinkamai veikia ir niekur nekliūva, ar nėra sulūžusių ar šiaip pažeistų dalių, kurios įtakotų prietaiso veikimą. Prieš vėl naudojant prietaisą pažeistos prietaiso dalys turi būti**

suremontuotos. Daugelio nelaimingų atsitikimų priežastis yra blogai prižiūrimi elektriniai įrankiai.

- f) **Pjovimo įrankiai turi būti aštrūs ir švarūs.** Rūpestingai prižiūrėti pjovimo įrankiai su aštriomis pjaunamosiomis briaunomis mažiau stringa ir juos yra lengviau valdyti.
- g) **Elektrinį įrankį, papildomą įrangą, darbo įrankius ir t. t. naudokite taip, kaip nurodyta šioje instrukcijoje. Taip pat atsižvelkite į darbo sąlygas bei atliekamo darbo pobūdį.** Naudojant elektrinius įrankius ne pagal jų paskirtį galima sukelti pavojingas situacijas.

5) APTARNAVIMAS

- a) **Prietaisą turi remontuoti tik kvalifikuotas specialistas ir naudoti tik originalias atsargines dalis.** Taip galima garantuoti, jog prietaisas išliks saugus.

DARBŲ SAUGOS NUORODOS DIRBANTIEMS SU KAMPINIAIS ŠLIFUOKLIAIS

- 1) **DARBŲ SAUGOS NUORODOS VISIEMS DARBAMS**
- a) **Šį elektrinį prietaisą galima naudoti kaip šlifavimo mašiną, skirtą šlifuoti abrazyviniais diskais, šlifavimo popieriumi, vieliniais šepetėliais, bei pjaustymo mašiną. Griežtai laikytis visų įspėjamųjų nuorodų, taisyklių, ženklų ir užrašų, kurie yra pateikiami su šiuo prietaisu, reikalavimų.** Jei nepaisysite toliau pateiktų nuorodų, gali kilti elektros smūgio, gaisro ir/arba sunkių sužalojimų pavojus.
- b) **Šį elektrinį prietaisą nerekomenduojama naudoti kaip poliravimo.** Operacijos, kurioms nėra skirtas elektrinis instrumentas, gali būti pavojingos ir sužaloti dirbantįjį.
- c) **Nenaudokite jokių priedų ir papildomos įrangos, kurių gamintojas nėra specialiai numatęs ir rekomendavęs šiam elektriniam prietaisui.** Vien tik tas faktas, kad Jūs galite pritvirtinti kokį nors priedą prie Jūsų elektrinio prietaiso, jokia būdu negarantuoja, kad juo bus saugu naudotis.
- d) **Naudojamų darbo įrankių maksimalus leistinas apsisukimų skaičius turi būti ne mažesnis, nei maksimalus sukčių skaičius, nurodytas ant elektrinio prietaiso.** Jei įrankis suksis greičiau, nei leistina, jis gali subyrėti.
- e) **Naudojamo darbo įrankio išorinis diametras ir storis turi atitikti nurodytuosius Jūsų elektrinio prietaiso parametrus.** Netinkamų matmenų įrankius gali būti sunku tinkamai apsaugoti bei valdyti.
- f) **Darbo įrankiai su srieginiu įdėklu turi tiksliai tikti šlifavimo suklio sriegiui.** Naudojant darbo įrankius, kurie tvirtinami junge, darbo įrankio kiaurymės skersmuo turi tiksliai tikti jungės įtvaro skersmeniui. Darbo įrankiai, kurių negalima tiksliai pritvirtinti prie elektrinio įrankio, sukasi netolygiai, labai vibruoja ir gali tapti nebevaldomi.
- g) **Nenaudokite pažeistų darbo įrankių. Prieš kiekvieną naudojimą patikrinkite tokius įrankius, kaip abrazyviniai diskai, ar jie nėra aplūžinėję arba įtrūkę, šlifavimo žiedus - ar jie nėra įtrūkę, susidėvėję ar nudilę, vielinius šepetėlius - ar jų vielutės nėra atsilaisvinę ar nutrūkę.** Jei elektrinis prietaisas arba darbo įrankis nukrito iš didesnio aukščio, patikrinkite, ar jis nėra pažeistas, arba iš karto sumontuokite kitą - nepažeistą - darbo įrankį.

Kuomet patikrinote ir sumontavote darbo įrankį, pasirūpinkite, kad nei Jūs, nei greta esantys asmenys nebūtų vienoje linijoje su besisukančiu darbo įrankiu, ir leiskite prietaisui vieną minutę veikti didžiausiais sukiais. Jei darbo įrankis yra pažeistas, jis turėtų per šį bandymo laiką subyrėti.

- h) **Naudokite individualias apsaugos priemones** ④ ir visuomet užsidėkite veido apsaugą ar apsauginius akinius. Jei nurodyta, užsidėkite nuo dulkių saugantį respiratorių, apsaugines ausines, apsaugines pirštines arba specialią prijuostę, kuri apsaugos jus nuo smulkių šlifavimo įrankio ir ruošinio dalelių. Akys turi būti apsaugotos nuo aplinkui skraidančių svetimkūnių, atsirandančių atliekant įvairius darbus. Respiratorius turi išfiltruoti dirbant kylančias dulkes. Dėl ilgalaikio didelio triukšmo poveikio galite prarasti klausą.
- i) **Pasirūpinkite, kad kiti asmenys būtų saugiam atstume nuo Jūsų darbo zonos. Kiekvienas, kuris įžengia į darbo zoną, turi naudoti asmenines apsaugos priemones.** Ruošinio dalelės ar atskilę įrankio gabalėliai gali skrieti dideliu greičiu ir sužeisti asmenis, net ir esančius už tiesioginės darbo zonos ribų.
- j) **Jei atliekate darbus, kurių metu darbo įrankis gali kliudyti paslėptus elektros laidus arba paties elektrinio įrankio maitinimo laidą, elektrinį įrankį laikykite tik už izoliuotų rankenų.** Palietus laidą, kuriuo teka elektros srovė, metalinėse elektrinio įrankio dalyse gali atsirasti įtampa ir trenkti elektros smūgis.
- k) **Maitinimo kabelį laikykite toliau nuo besisukančių darbo įrankių.** Jei nesuvaldytumėte prietaiso, darbo įrankis gali perpjauti maitinimo kabelį arba jį įvynioti, tuomet jūsų plaštaka ar ranka gali paliesti besisukančią darbo įrankį.
- l) **Išjungę elektrinį prietaisą, niekuomet jo nepadėkite tol, kol darbo įrankis visiškai nesustos.** Nesisukantis darbo įrankis gali prisiliesti prie paviršiaus, ant kurio padedate prietaisą, ir prietaisas gali tapti nevaldomas.
- m) **Nešdami prietaisą niekuomet jo neįjunkite.** Netychia prisilietus prie besisukančio darbo įrankio, jis gali įvynioti drabužius ir Jus sužeisti.
- n) **Reguliariai valykite ventiliacines angas Jūsų prietaiso korpuse.** Variklio ventiliatorius siurbia dulkes į korpusą, ir, susikaupus daug metalo dulkių, gali kilti elektros smūgio pavojus.
- o) **Niekuomet nenaudokite elektrinio prietaiso arti lengvai užsidegančių medžiagų.** Kylančios kibirkštys gali jas uždegti.
- p) **Nenaudokite darbo įrankių, kuriuos reikia aušinti skysčiais.** Naudojant vandenį ar kitokius aušinimo skysčius gali kilti elektros smūgio pavojus.
- 2) ATATRANKA IR ATITINKAMOS ĮSPĖJAMOSIOS NUORODOS**
- Atatranka yra staigi reakcija, atsirandanti tuomet, kai besisukantis darbo įrankis, pvz., šlifavimo diskas, šlifavimo žiedas ar vielinis šepetys, užkliūva, įstringa ruošinyje ir dėl to netikėtai sustoja. Dėl to prietaisas gali nekontroliuojamai atsokti nuo ruošinio priešinga kryptimi darbo įrankio sukimosi kryptimi.
 - Pvz., jei šlifavimo diskas įstringa arba užsiblokuoja ruošinyje, disko kraštas, kuris yra įleistas į ruošinį, gali išlūžti arba sukelti atatranką. Šlifavimo diskas tuomet ima

judėti link dirbančiojo arba nuo jo, priklausomai nuo disko sukimosi krypties blokavimo vietoje. Be to, šlifavimo diskas gali ir subyrėti.

- Atatranka yra neteisings elektrinio prietaiso naudojimo arba klaidos pasekmė. Jos galima išvengti, jei imsitės atitinkamų priemonių, kaip aprašyta žemiau.
- a) **Dirbdami visada tvirtai laikykite prietaisą abiem rankomis ir stenkitės išlaikyti tokią kūno ir rankų padėtį, kurioje sugebėtumėte atsispirti prietaiso pasipriešinimo jėgą atatrankos metu. Visuomet naudokite pagalbines rankenas, jei tokia yra, tuomet galėsite suvaldyti atatrankos jėgas bei reakcijos jėgų momentą.** Dirbantysis gali suvaldyti atatrankos ir reakcijos jėgas, jei imsis tinkamų saugos priemonių.
- b) **Nelaikykite rankos arti besisukančio darbo įrankio.** Darbo įrankis, įvykus atatrankai, gali pajudėti link Jūsų rankos.
- c) **Venkite, kad jūsų kūno dalys būtų toje zonoje, kurioje įvykus atatrankai juda prietaisas.** Atatrankos jėga verčia prietaisą judėti nuo blokavimo vietos priešinga kryptimi darbo įrankio sukimosi kryptimi.
- d) **Ištin atsargiai dirbkite ties kampais, aštriomis briaunomis ir t.t. Pasistenkite dirbti taip, kad įrankis neatsimuštų į kliūtis ir neįstringtų.** Besisukantis įrankis turi tendenciją kampuose, ties aštriomis briaunomis arba atsimušęs į kliūtį užstringti. Tuomet prietaisas tampa nevaldomas arba įvyksta atatranka.
- e) **Nenaudokite jokių grandinių ar dantytų pjovimo diskų.** Tokie įrankiai dažnai sukelti atatranką ir elektrinį prietaisą gali būti sunku suvaldyti.
- 3) SAUGOS ĮSPĖJIMAI ŠLIFUOJANT IR PJAUNANT ABRAZYVINIAIS DISKAIŠ**
- a) **Naudokite tik su šiuo prietaisu leidžiamus naudoti šlifavimo įrankius ir šiems įrankiams pritaikytus apsauginius gaubtus.** Šlifavimo įrankiai, kurie nėra numatyti šiam prietaisui, gali būti nepakankamai uždengti ir todėl nesaugūs naudoti.
- b) **Išlenktus šlifavimo diskus reikia tvirtinti taip, kad jų šlifavimo paviršius nebūtų išsikūšęs už apsauginio gaubto krašto plokštumos. Netinkamai primontuotas šlifavimo diskas, kuris yra išsikūšęs už apsauginio gaubto krašto plokštumos, bus nepakankamai uždengtas.**
- c) **Apsauginis gaubtas turi būti patikimai pritvirtintas prie elektrinio prietaiso ir taip nustatytas, kad būtų garantuotas didžiausias saugumas dirbančiajam, t.y. į dirbantįjį turi būti nukreipta kuo mažesnė neuždengta šlifavimo įrankio dalis.** Apsauginis gaubtas turi apsaugoti dirbantįjį nuo atskilusių ruošinio ar įrankio dalelių, atsitiktinio prisilietimo prie šlifavimo įrankio ir kibirkščių, nuo kurių gali užsidegti drabužiai.
- d) **Šlifavimo įrankius leidžiama naudoti tik pagal rekomenduojamą paskirtį, pvz., niekuomet nešlifuokite pjovimo disko šoniniu paviršiumi.** Pjovimo diskai yra skirti medžiagai pašalinti disko pjaunamąja briauna. Nuo šoninės apkrivos šie šlifavimo įrankiai gali sulūžti.
- e) **Jūsų pasirinktiems šlifavimo diskams tvirtinti visuomet naudokite nepažeistus tinkamo dydžio ir formos prispaudžiamuosius flanšus.** Tinkami flanšai prilaiko šlifavimo diską ir samžaina lūžimo pavojų. Pjovimo diskams skirti flanšai gali skirtis nuo kitiems šlifavimo diskams skirtų flanšų.

- f) **Nenaudokite sudilusių diskų, prieš tai naudotų su didesnėmis kampinio šlifavimo mašinomis.** Diskai, skirti didesniems prietaisams, nėra pritaikyti dideliems mažųjų prietaisų išvystomiems sukiamis ir gali sulūžti.
- 4) KITOS SPECIALIOS SAUGOS NUORODOS ATLIKANTIEMS PJAUSTYMO DARBUS**
- a) **Venkite užblokuoti pjovimo diską ar pernelę stipriai jį spausiti prie ruošinio. Nemėginkite atlikti pernelę gilių pjūvių.** Pernelę prispaudus pjovimo diską, padidėja jam tenkanti apkrova ir atsiranda didesnė tikimybė jį pakreipti bei užblokuoti pjūvyje, taigi padidėja atatranks ir disko lūžimo rizika.
- b) **Venkite būti zonoje, esančioje prieš ir už besisukančio pjovimo disko.** Kuomet pjudami ruošinį pjovimo diską stumiate nuo savęs, įvykus atatrakai, prietaisas su besisukančiu disku pradės judėti tiesiai į Jus.
- c) **Jei pjovimo diskas užstringa arba Jūs norite nutraukti darbą, išjunkite prietaisą ir laikykite jį ramiai, kol diskas nustos sukstis. Niekuoomet nemėginkite iš pjūvio vietos ištraukti dar tebesisukančią diską, nes tai gali sukelti atatranką.** Nustatykite ir pašalinkite disko strigimo priežastį.
- d) **Neįjunkite prietaiso iš naujo tol, kol diskas neištrauktas iš ruošinio. Leiskite pjovimo diskui iki galo įsibėgėti ir tik po to atsargiai tęskite pjūvimą.** Priešingu atveju diskas gali užstrigti, iššokti iš ruošinio ar sukelti atatranką.
- e) **Plokštes ar didelius ruošinius paremkite, kad sumažintumėte atatranks riziką dėl užstrigusio pjovimo disko.** Dideli ruošiniai gali išlinkti dėl savo pačių svorio. Ruošiny turi būti paremtas iš abiejų pusių, tiek ties pjūvio vieta, tiek ir prie krašto.
- f) **Būkite itin atsargūs darydami pjūvius sienose ar kituose nepermatomuose paviršiuose.** Panyrantis pjovimo diskas gali pažeisti elektros laidus, dujotiekio ar vandentiekio vamzdžius ar kitus objektus ir sukelti atatranką.
- 5) SPECIALIOS SAUGOS NUORODOS DIRBANT SU ŠLIFAVIMO POPIERIAUS DISKAIS**
- a) **Nenaudokite didesnių matmenų šlifavimo popieriaus diskų, vadovaukitės gamintojo nuorodomis.** Šlifavimo popieriaus diskai, kurie išlenda už šlifavimo disko krašto, gali tapti sužalojimų priežastimi, o taip pat gali užstrigti, suplyšti ar sukelti atatranką.
- 6) SPECIALIOS SAUGOS NUORODOS DIRBANT SU VIELINIAIS ŠLIFAVIMO ŠEPEČIAIS**
- a) **Atminkite, kad net ir įprastinio naudojimo metu iš vielinių šepėčių išlekia vielos dalelės. Neapkraukite vielučių pernelę spausdami.** Išlėkusios vielos dalelės gali labai lengvai prasiskverbti per plonus rūbus ir įsmigti į odą.
- b) **Jei rekomenduojama naudoti apsauginį gaubtą, pasistenkite, kad vielinis šepetys negalėtų liestis prie apsauginio gaubto.** Diskinių ir cilindrinčių šepėčių diametras gali padidėti dėl prispaudimo ir išcentrinės jėgos.
- BENDROJI DALIS**
- Šis prietaisas netinka ruošiniams šlifuoti ar pjovimui šlapioju būdu
 - Naudokite tik kartu su šiuo prietaisu tiekiamus flanšus

- Šį prietaisą turėtų naudoti tik asmenys, kuriems 16 ir daugiau metų
 - **Prieš reguliuojant prietaisą arba keičiant darbo įrankius, ištraukite kištuką iš el. tinklo lizdo**
- PAPILDOMA ĮRANGA**
- SKIL gali garantuoti neprikaištingą prietaiso veikimą tik tuo atveju, jei naudojama originali papildoma įranga ir priedai
 - **Naudokite tik šlifavimo/pjovimo diskus, kurių storis ne didesnis kaip 8 mm, o veleno angos skersmuo yra 22 mm**
 - Naudodami kitur pagamintą papildomą įrangą vadovaukitės gamintojo pateiktais nurodymais
 - Negalima naudoti jokių tarpinių elementų ar adapterių kad pritaikytumėte rupaus šlifavimo ar pjovimo diskus su didesniu angos skersmeniu
 - Jokių būdu nenaudokite papildomos įrangos su uždaru sriegiu, kurio matmenys mažesni nei M14 x 21 mm
- EKSPLOATACIJA LAUKE**
- Prietaisą prijunkite prie elektros tinklo per nuotėkio srovės apsauginį išjungiklį (FI-), kurio minimali suveikimo srovė yra ne didesnė kaip 30 mA
- PRIEŠ EKSPLOATACIJĄ**
- Prieš naudojant prietaisą pirmą kartą rekomenduojame įgyti praktinių žinių
 - Visada patikrinkite, ar elektros tinklo įtampa sutampa su įtampos dydžiu, nurodytu prietaiso vardinėje lentelėje (prietaisus su nurodyta įtampa 230V ir 240V galima jungti į 220V įtampos elektros tinklą)
 - Visuomet naudokite šoninę rankeną E ② ir apsauginį gaubtą F ②; nedirbkite su prietaisu be jų
 - **Naudodami tam skirtus paieškos prietaisus, patikrinkite, ar gręžimo vietoje nėra paslėptų komunalinių tinklų vamzdžių, arba pasikvieskite į pagalbą vietinius komunalinių paslaugų tiekėjus** (kontaktas su elektros laidais gali sukelti gaisro bei elektros smūgio pavojų; pažeidus dujotiekio vamzdį, gali įvykti sprogdymas; pažeidus vandentiekio vamzdį, galima pridaryti daugybę nuostolių bei sukelti elektros smūgio pavojų)
 - **Draudžiama apdirbti medžiagas, kurių sudėtyje yra asbesto** (asbestas pasižymi vėžį sukeliančiu poveikiu)
 - Kai kurių medžiagų, kaip antai dažų, kurių sudėtyje yra švino, kai kurių medžių rūšių medienos, mineralų ir metalo dulksės gali būti kenksmingos (kontaktas su šiomis dulėmis arba įkvėptos dulksės gali sukelti operatoriui arba šalia esantiems žmonėms alergines reakcijas ir/arba kvėpavimo sistemos susirgimus); **mūvėkite priešdulkinę puskaukę arba dirbdami naudokite dulkių ištraukimo įrenginį, jei jį galima prijungti**
 - Kai kurių rūšių dulksės priskiriamos kancerogeninėms (pvz., ažuolo arba buko medienos dulksės), ypač susimaišiusios su medienos taurinimui naudojamais priedais; **mūvėkite priešdulkinę puskaukę arba dirbdami naudokite dulkių ištraukimo įrenginį, jei jį galima prijungti**
 - Vadovaukitės Jūsų šalyje taikomų direktyvų reikalavimais, skirtais medžiagoms, su kuriomis norite dirbti
 - Frezuodami griovelius elkitės atsargiai, ypač jei darote įpjovas atraminėse sienose (išilginės įpjovos atraminėse sienose dažniausiai yra reglamentuojamos atitinkamai

valstybės teisiniais aktais; šių reglamentų reikalavimų būtina laikytis)

- **Saugiai laikykite tvirtinamą dirbinį** (dirbinį, kuris segamas ar kalamas kabų kalimo įrankiais, saugiau laikyti spaustuvu nei ranka)
- Prietaisą draudžiama tvirtinti mašiniuose spaustuose
- Naudodami ilginamuosius kabelius atkreipkite dėmesį į tai, kad kabelis būtų iki galo išvyniotas ir būtų pritaikytas 16 A elektros srovei

EKSPLOATACIJA

- Jei dirbant bus pažeistas ar nutrauktas kabelis, būtina noliečiant kabelio tuojau pat ištraukti kištuką iš elektros tinklo lizdo
- Prietaisą su pažeistu kabeliu naudoti draudžiama; jį turi pakeisti kvalifikuotas elektrikas
- Atsiradus mechaninio ar elektrinio pobūdžio trūkdziams, tuojau pat išjunkite prietaisą ir ištraukite kištuką iš elektros tinklo lizdo
- Jei nutrūksta elektros srovės tiekimas arba netyčia ištraukiate kištuką iš elektros lizdo, tuojau pat atblokuokite įjungimo ir išjungimo jungiklį H (2); taip apsaugosite nuo galimo savaiminio išjungimo vėl atsiradus srovei

PO EKSPLOATACIJOS

- Išjungę prietaisą, besisukančių darbo įrankių nestabdykite šoniniu prispaudimu

NAUDOJIMAS

- Papildomos įrangos montavimas (2)
 - ! **ištraukite kištuką iš elektros lizdo**
 - prieš uždėdami papildomą įrangą nuvalykite sukį A ir visas detales, kurias montuosite
 - nuspaudę suklio fiksavimo mygtuką D, raktu C užsukite prispaudimo veržlę B
 - ! **suklio fiksavimo mygtuką D spauskite tik tada, kai suklys A nesisuka**
 - norėdami nuimti darbo įrankius, viską darykite atvirkštine tvarka
 - ! **darbo metu rupaus šlifavimo ir pjovimo diskai labai įkaista; nelieskite jų rankomis, kol neatauš**
 - ! **naudodami šlifavimo popieriaus lapelius, visada sumontuokite guminį šlifavimo diską**
 - ! **niekuomet nenaudokite rupaus šlifavimo ir pjovimo diskų, jei nuo jų nusilupusi klijuojama etiketė (jei tokia yra)**
- Šoninės rankenos E montavimas (6)
 - ! **ištraukite kištuką iš elektros lizdo**
 - šoninę rankeną E galima prisukti dešinėje, viršutinėje arba kairėje prietaiso pusėje (priklausomai nuo darbo pobūdžio)
- Apsauginis gaubtas F nuėmimas/montavimas/nustatymas (7)
 - ! **ištraukite kištuką iš elektros lizdo**
 - ! **įsitinkinkite, kad uždara apsauginio gaubto pusė nukreipta į dirbantįjį**
- Prieš pradėdami eksploatuoti prietaisą
 - įsitinkinkite, kad papildoma įranga sumontuota patikimai ir tvirtai priveržta
 - patikrinkite, ar sumontuoti įrankiai laisvai sukasi, pasukdami juos ranka

- patikrinkite prietaiso veikimą: leiskite prietaisui saugioje padėtyje bent 30 sekundžių dirbti be apkrovos didžiausiu greičiu
- jei prietaisas smarkiai vibruoja ar pastebite kitokius defektus, tuoj pat jį išjunkite ir pasistenkite išsiaiškinti priežastį
- Fiksuojamas įjungimo ir išjungimo klavišas H (8)
 - įjunkite prietaisą (8)a
 - ! **saugokitės staigaus prietaiso trūktelėjimo įjungimo metu**
 - ! **prieš glausdami įrankį prie ruošinio palaukite, kol prietaisas visiškai įsibėgės**
 - užfiksuokite jungiklį (8)b
 - fiksavimą panaikinkite/išjunkite prietaisą (8)c
 - ! **prieš išjungdami prietaisą atitraukite jį nuo ruošinio**
 - ! **išjungus prietaisą, įrankis dar kurį laiką sukasi**
- Nupjovimas (9)
 - vidutiniškai spausdami judinkite prietaisą pirmyn-atgal
 - ! **pjovimo diską draudžiama naudoti šlifavimui**
- Grubus šlifavimas (10)
 - nekreipkite prietaiso kampu
 - prietaisas turi judėti ta pačia kryptimi, kurią rodo rodyklė ant prietaiso galvutės - taip išvengsite nekontroliuojamo prietaiso išslydimo už apdirbamo ploto ribų
 - nespauskite prietaiso per daug; pjovimo disko greitis padarys darbą už Jus
 - pjovimo disko apsisukimų skaičius priklauso nuo apdirbamo ruošinio
 - nestabdykite pjovimo diskų šoniniu prispaudimu
- Prietaiso laikymas ir valdymas
 - tvirtai laikykite prietaisą abiem rankomis, kad nuolat galėtumėte jį kontroliuoti
 - ! **dirbdami laikykite prietaisą už pilkos spalvos suėmimo vietos(-ų) (11)**
 - stovėkite tvirtai
 - atkreipkite dėmesį į sukimosi kryptį; laikykite prietaisą taip, kad žiežirbos ir dulkės lėktų šalin nuo Jūsų
 - ventiliacines angas J (2) laikykite neuždengtas

NAUDOJIMO PATARIMAI

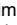
- Vietoj veržlės B (2) galima naudoti greitai fiksuojančią veržlę "CLIC" (SKIL papildoma įranga 2610388766); tokiu atveju rupaus šlifavimo ir pjovimo diskus galima montuoti, nenaudojant jokių papildomų raktų
- Daugiau patarimų rasite internete www.skil.com

PRIEŽIŪRA / SERVISAS

- Šis prietaisas neskirtas profesionaliam naudojimui
- Periodiškai valykite prietaisą ir kabelį (ypač ventiliacines angas J (2))
 - ! **nemėginkite valyti angų, kišdami į jas aštirus daiktus**
 - ! **prieš valydami ištraukite kištuką iš elektros tinklo lizdo**
- Jeiigu prietaisas, nepaisant gamykloje atliekamo kruopštaus gamybos ir kontrolės proceso, vis dėlto sugestų, jo remontas turi būti atliekamas įgaliotose SKIL elektrinių įrankių remonto dirbtuvėse

- **neišardytą** prietaisą kartu su pirkimo čekiu siųskite tiekėjui arba į artimiausią SKIL firmos įgaliotą elektros prietaisų techninio aptarnavimo tarnybą (adresus bei atsarginių dalių brėžinius rasite www.skil.com)

APLINKOSAUGA

- **Nemeskite elektrinių įrankių, papildomos įrangos ir pakuočių į buitinių atliekų konteinerius** (galioja tik ES valstybėms)
 - pagal ES Direktyvą 2002/96/EG dėl naudotų elektrinių ir elektroninių prietaisų atliekų utilizavimo ir pagal vietinius valstybės įstatymus atitarnavę elektriniai įrankiai turi būti surenkami atskirai ir gabunami į antrinių žaliavų tvarkymo vietas, kur jie turi būti sunaikinami ar perdirbami aplinkai nekenksmingu būdu
 - apie tai primins simbolis , kai reikės išmesti atitarnavusį prietaisą

ATITIKTIKTES DEKLARACIJA

- Atsakingai pareiškiame, kad skyriuje "Techniniai duomenys" aprašytas gaminys atitinka žemiau pateiktus standartus ir norminius dokumentus: EN 60745, EN 61000, EN 55014 pagal direktyvų 2004/108/EB, 2006/42/EB, 2011/65/ES reikalavimus
- **Techninė byla laikoma:** SKIL Europe BV (PT-SEU/ENG1), 4825 BD Breda, NL

Marijn van der Hoofden
Operations & Engineering

Olaf Dijkgraaf
Approval Manager




SKIL Europe BV, 4825 BD Breda, NL

05.08.2013

TRIUŠMINGUMAS/VIBRACIJA

- Šio prietaiso triukšmingumas buvo išmatuotas pagal EN 60745 reikalavimus; keliamo triukšmo garso slėgio lygis siekia 90 dB(A) ir akustinio galingumo lygis 101 dB(A) (standartinis nuokrypis: 3 dB), ir vibracijos pagreitis (rankos plaštakos srityje tipiniu atveju yra mažesnis, kaip
 - * m/s^2 (paklaida $K = 1,5 m/s^2$)
 - * šlifavimo paviršius 8,1 m/s^2
 - * šlifuojant 6,2 m/s^2
- ! **Kitais naudojimo atvejais (pjaustant ar šveičiant vieliniu šepėčiu) vibracijos lygis gali būti kitoks, nei nurodytas**
- Vibracijos sklaidos lygis išmatuotas pagal standarte EN 60745 išdėstytus standartizuoto bandymo reikalavimus; ši vertė gali būti naudojama vienam įrankiui palyginti su kitu bei išankstiniam vibracijos poveikiui įvertinti, kai įrankis naudojamas paminėtais būdais
 - naudojant įrankį kitokiais būdais arba su kitokiais bei netinkamai prižiūrimais priedais, gali žymiai **padidėti** poveikio lygis
 - laikotarpiams, kai įrankis išjungtas arba yra įjungtas, tačiau juo nedirbama, gali žymiai **sumažėti** poveikio lygis


- ! **apsisaugokite nuo vibracijos poveikio prižiūredami įrankį ir jo priedus, laikydami rankas šiltai ir derindami darbo ciklus su pertraukėlėmis**



Аголна брусалка

9176

УПАТСТВО

- Овој алат е наменет за острење и сечење на на материјали од метал и камен, без употреба на вода; со употреба на соодветен прибор овој алат може да се користи за четкање и острење
- Овој алат не е наменет за професионална употреба
- **Операции на сечење со помош на абразивни дискови за сечење дозволени се само кога се користи штитник за сечење (може да се набави по избор SKIL 2610399439)**
- Внимателно прочитajte го и зачувајте го ова упатство за ракување 


ТЕХНИЧКИ ПОДАТОЦИ

ЕЛЕМЕНТИ НА АЛАТОТ

- A Осовина
- B Штитник за спојки
- C Клуч
- D Копче за заклучување на вретеното
- E Дополнителна рачка
- F Заштитен механизам
- G Подлога на штитникот
- H Прекинувач на заклучување за вклучување/исклучување
- J Отвори за вентилација

БЕЗБЕДНОСТ

ОПШТИ УПАТСТВА ЗА БЕЗБЕДНОСТ

 **ПРЕДУПРЕДУВАЊЕ!** Сите упатства мора да се прочитаат. Непочитување на долу наведените упатства може да предизвика струен удар, пожар и/или тешки повреди. **Чувајте ги сите предупредувања и напатствија за во иднина.** Поимот "електричен алат", кој се користи во понатамошниот текст, се однесува на вашиот електричен алат (со приклучен кабел) и на електрични алати со погон на батерии (без приклучен кабел).

1) БЕЗБЕДНОСТ НА РАБОТНОТО МЕСТО

- a) **Одржувајте го вашето работно место чисто и уредно.** Неуреден или темен работен простор може да предизвикаат незгоди.
- b) **Немојте да работите со уредот во средина во која има опасност од експлозија, во која има запаливи течности, гасови и прашина.** Електричните алати произведуваат искри кои можат да запалат прашина или пареа.
- c) **За време на употребата на електричниот алат, децата и останатите лица држете ги подалеку од**

местото на работите. Одвркање, би можеле да изгубите контрола врз уредот.

2) ЕЛЕКТРИЧНА СИГУРНОСТ

- a) **Утикач мора да одговара на приклучокот. Никане не смее да се прават измени на штекерот. Не користете адаптерски штекер заедно со уредот кој е заштитно заземјен.** Не променети штекери и соодветни приклучоци го намалуваат ризикот од електричен удар.
- b) **Избегнувајте допир на телото со заземјени површини, како што се цевки, радијатори, рерни и фрижидери.** Постои зголемена опасност од струен удар, доколку Вашето тело е заземјено.
- c) **Чувајте го уредот подалеку од дожд и влага.** Продирањето на вода во електричниот уред ја зголемува опасноста од струен удар.
- d) **Не злоупотребувајте го приклучниот кабел за носење, бесење на уредот или за извлечување на штекерот од мрежниот приклучок. Чувајте го кабелот подалеку од топлина, масло, остри рабови или деловите на апаратот кои се движат.** Оштетени или заплеткани кабли ја зголемуваат опасноста од струен удар.
- e) **Кога го употребувате полначот надвор, користете продолжен кабел кој е соодветен за употреба на отворен простор.** Примената на продолжен кабел соодветен за работа на отворен простор ја намалува опасноста од струен удар.
- f) **Доколку не може да се избегне работа со електричниот алат во влажна средина, користете прекинувач за струјна заштита при технички проблеми.** Употребата на прекинувачот за струјна заштита при технички проблеми го намалува ризикот од електричен удар.

3) БЕЗБЕДНОСТ НА ЛУЃЕ

- a) **Бидете внимателни, внимавајте што правите и постапувајте внимателно додека работите со електричниот алат. Не работете со уредот доколку сте уморни или под дејство на дрога, алкохол или лекови.** Еден момент на невнимание при употребата може да доведе до сеизмички повреди.
- b) **Носете ја личната заштитна опрема и сенокаш носете заштитни очила.** Носењето на личната заштитна опрема, како што е маската за прашина, безбедносната облека која не се лизга, заштитен шлем или штитник за слух, зависно од видот и примената на електричниот алат, ја намалува опасноста од повреда.
- c) **Избегнувајте невнимателно вклучување за време на работата. Осигурајте се прекинувачот да биде во “OFF” позиција пред да го ставите штекерот во приклучокот.** Доколку го носите електричниот алат со прстот на прекинувачот или го приклучувате апаратот кој е приклучен со напојување на струја, може да предизвикате незгоди.
- d) **Пред вклучување на уредот, тргнете ги алатите за подесување или клучот за навртување.** Алатот или клучот кој се наоѓа во вртливост дел на уредот, може да предизвика незгода.
- e) **Не ги преценувајте своите способности.** Завземете сигурен и стабилен став и во секој

момент одржувајте рамнотежа. На тој начин можете подобро да го контролирате уредот во неочекувани ситуации.

- f) **Носете соодветна облека. Не носете широка облека или накит.** Косата, облеката и раковниците држете ги подалеку од деловите кои се движат. Комотната облека, накитот или долгата коса може да бидат фатени во деловите кои се движат.
 - g) **Доколку може да се монтираат направи за вшмукување и фаќање прашина, проверете дали се вклучени и дали можат исправно да се користат.** Примената на овие направи ја намалува опасноста од прашината.
- ## 4) ВНИМАТЕЛНА УПОТРЕБА И РАКУВАЊЕ СО ЕЛЕКТРИЧНИТЕ АЛАТИ
- a) **Не го преоптеретувајте уредот. При вашата работа користете го предвидениот електричен алат за таа употреба.** Со соодветниот електричен алат ќе работите подобро и посигурно во наведената функционална област.
 - b) **Не користете електричен алат чиј прекинувач е неисправен.** Електричниот алат кој повеќе не може да се вклучува и исклучува е опасен и мора да се поправа.
 - c) **Извлечете го штекерот од приклучокот пред извршување на било какви подесувања на апаратот, замена на приборот или складирање.** Со овие мерки на внимателност ќе се избегне невнимателното вклучување на уредот.
 - d) **Тргнете го електричниот алат кој не го користите од допирот на децата. Не допуштајте работа со уредот на лица кои не се запознаени со него или кои го немаат прочитано ова упатство.** Електричните алати се опасни доколку со нив работат неискусни лица.
 - e) **Одржувајте го уредот со внимание. Имајте контрола околу тоа дали движечните делови на уредот работат беспрекорно и дали не се заглавени, дали деловите се счршени или оштетени до таа мерка што не може да се обезбеди функционирање на уредот. Пред примената, овие оштетени делови треба да се поправаат.** Причина за многу незгоди е лошо одржуваниот електричен алат.
 - f) **Алатите за сечење одржувајте ги остри и чисти.** Внимателно одржуваните алати за сечење со остри отчрци помалку ќе се заглавуваат и со нив работата ќе биде полесна.
 - g) **Електричниот алат, прибор, работни алати итн., треба да ги користите според овие упатства, и на начин кој е опишан за соодветниот тип на уред. При тоа, земете ги предвид работните услови и работата која се извршува.** Употребата на електричните алати за други цели кои не се предвидени, може да предизвика опасни ситуации.
- ## 5) СЕРВИСИРАЊЕ
- a) **Поправката на Вашиот уред препуштете им ја само на обучен, стручен кадар на овластен сервисер, и само со оригиналните резервни делови.** На тој начин ќе се обезбеди уредот да остане со зачувана безбедност.

БЕЗБЕДНОСНО УПАТСТВО ЗА АГОЛНИ БРУСАЛНИ

1) БЕЗБЕДНОСНО УПАТСТВО ЗА СИТЕ ОПЕРАЦИИ

- a) **Овој алат е наменет да за брусење, песнарење, четнање или сечење. Прочитајте ги сите безбедносни предупредувања, упатства, слики и спецификации што се обезбедуваат со овој алат.** Непочитувањето на сите упатства подолу може да доведе до електричен удар, пожар и/или сериозна повреда..
 - b) **Овој алат не се препорачува за полирање.** Операциите за кои не е наменет овој алат може да бидат ризични или да предизвикаат лична повреда.
 - c) **Не користете дополнителна опрема којашто производителот на алатот специфично не ја наменувача или препорачува.** Само заради тоа што одредена дополнителна опрема може да се прикачи на алатот, тоа не значи дека ќе обезбеди безбедна работа.
 - d) **Номиналната брзина на дополнителната опрема мора ба биде барем еднаква на максималната брзина посочена на алатот.** Дополнителната опрема којашто работи побргу од номиналната брзина може да се откачи.
 - e) **Надворешниот дијаметар и дебелината на дополнителната опрема мора да бидат во рамките на капацитетот посочен на алатот.** Несоодветната големина на дополнителната опрема не може соодветно да се обезбедува и контролира.
 - f) **Поставувањето на дополнителната опрема со протнување мора да се совпаѓа со нишната на ободот на брусилката.** Кај дополнителната опрема што се поставува со крилца, целиот отвор на опремата мора да се вклопува во дијаметарот на крилцето нае што ќе се постави. Дополнителната опрема којашто не соодветствува на елементот за поставување кај алатот нема да работи рамномерно, ќе вибрира прекумерно и може да предизвика да ја загубите контролата.
 - g) **Не користете оштетена дополнителна опрема.** Проверете ја дополнителната опрема пред секоја употреба за да утврдите дали абразивните тркала содржат парчиња и пукнатини, дали потпорните подлошки имаат пукнатини, дали челичните четки имаат разлабавени или скинати жици. Ако алатот или дополнителната опрема паднат, проверете дали се оштетиле или ставете нешоштетена дополнителна опрема.. По проверката и поставувањето на дополнителната опрема, поставете се подалеку од опсегот на ротирачката дополнителна опрема, потоа вклучете го алатот на максималната брзина да работи една минута без оптоварување. Оштетената дополнителна опрема обично ќе се откачи во текот на овој период за проверка.
 - h) **Носете лична опрема за заштита ④. Зависно од употребата, носете заштита за лице, безбедносни очила или заштитна маска. Ако е соодветно, носете маска за прашина, заштита за уши, ракавици или престилна што имаат капацитет да ги застануваат ситните абразивни**

честички или остатоци од работата. Заштитата за очи мора да овозможува застанување на разлетаните остатоци од работата при разни операции. Маската за прашина или респираторот мора да имаат капацитет за филтрирање на честички коишто се генерираат при работата. Продолжено изложување на голема бучава може да го оштети слухот.

- i) **Стојте настрана на безбедно растојание од областа за работа. Секој што ќе пристапи до областа за работа мора да носи лична опрема за заштита.** Честичките од работата или од скршена дополнителна опрема може да одлетаат и да предизвикаат повреда подалеку од областа за работа.
 - j) **Држете го алатот само за изолираните површини за зафаќање кога извршувате работа при која што дополнителната опрема за сечење може да дојде во контакт со скриените жици или со кабелот.** Ако дополнителната опрема за сечење дојде во контакт со жица под напон, може да ги електрифицира металните делови на алатот и да предизвика електричен удар на операторот.
 - k) **Поставете го кабелот подалеку од дополнителната опрема којашто се врти.** Ако изгубите контрола, кабелот може да се пресече или се попречи и раката или дланката може да се повлечат кон дополнителната опрема којашто се врти.
 - l) **Никога не оставајте го алатот додека дополнителната опрема не се смири во целост.** Опремата којашто се врти може да се зачакани за површината и да ја изгубите контролата врз алатот.
 - m) **Не вклучувајте го алатот додека го носите отстрана.** Случајниот контакт со дополнителната опрема којашто се врти може да се заплетка во облеката и да го повлече алатот кон телото.
 - n) **Редовно чистете ги отворите за вентилација на алатот.** Вентилаторот на моторот вовлекува прашина во куќиштето, а прекумерната акумулација на иситнет метал може да предизвика електричен удар.
 - o) **Не работете со алатот близу запаливи материјали.** Искрите може да ги запалат овие материјали.
 - p) **Не користете дополнителна опрема којашто бара течни разладувачи.** Употребата на вода или други течни разладувачи може да предизвикаат електричен удар или смрт.
- ### 2) ПОВРАТЕН УДАР И ПОВРЗАНИ ПРЕДУПРЕДУВАЊА
- Повратен удар е неочекувана реакција на потфатено или заглавено тркало, подлошка, четка или која било друга дополнителна опрема. Потфаќањето или заглавувањето предизвикуваат нагло попречување на вртењето што предизвикува алатот врз кој веќе немате контрола да се потисне во правец обратен од ротацијата на опремата кај точката на поврзување.
 - На пример, ако абразивното тркало се потфати или заглави со остаток од работата, работ на тркалото којшто навлегува во потфатената област може да се закопа во површината на материјалот и со тоа да

- предизвика тркалото да се откачи или да ве бутне. Тркалото може да отскокне кон или обратно од ракувачот, зависно од правецот на движење на тркалото во моментот на потфаќање. Абразивните тркала може и да се скршат во овие услови.
- Повратниот удар е резултат на неправилна употреба на алатот и/или несоодветна работна постапка или услови, а може да се избегне ако ги преземете неопходните безбедносни мерки како што е посочено подолу.
- a) **Одржувајте цврст зафат на алатот и поставете ги телото и раката на тој начин со којшто не си овозможите да ја издржите силата на повратниот удар. Сеногаш служете се со дополнителната рачка ако се доставува за максимална контрола врз повратниот удар или врз реакцијата од моментот на обрт при вклучување.** Ракувачот може да ги контролира реакциите од моментот на обрт или силата на повратниот удар ако ги преземе неопходните безбедносни мерки.
 - b) **Никогаш не ставајте ја раката близу опремата којашто се врти.** Опремата може да удри повратно преку раката.
 - c) **Не поставувајте го телото во областа каде алатот би се придвижил ако дојде до повратен удар.** Повратниот удар ќе го потисне алатот во правец обратен од вртењето на тркалото во моментот на потфаќање.
 - d) **Обрнете особено внимание кога работите кај агли, остри рабови и слично. Избегнувајте потскокнување и потфаќање на дополнителната опрема.** Аглите, острите рабови или отскокнувањето имаат тенденција да ја потфатат дополнителната опрема којашто се врти и на тој начин да изгубат контрола или да предизвикате повратен удар.
 - e) **Не ставајте сечиво за резбареење на моторна пила или сечиво на пила со зацпи.** Таквите сечива предизвикуваат чести повратни удари и загуба на контролата.
- ### 3) БЕЗБЕДНОСНИ ПРЕДУПРЕДУВАЊА ЗА ОПЕРАЦИИ СО БРУСЕЊЕ И СЕЧЕЊЕ SAFETY WARNINGS SPECIFIC FOR GRINDING AND ABRASIVE CUTTING-OFF OPERATIONS
- a) **Користете само типови на тркала коишто се препорачуваат за овој алат и одредената заштита произведена за избраното тркало.** Тркалата за кои овој алат не е примерен не може соодветно да се заштитат и не се безбедни.
 - b) **Површината за брусеење на централно снижените тркала мора да се постави под опсегот на заштитната рамка.** Неправилно поставеното тркало коешто излегува од опсегот на заштитната рамка не може да се заштити.
 - c) **Заштитата мора безбедно да се закани на алатот и да се постави за да пружи максимална безбедност на тој начин што помал дел од тркалото е изложено кон работникот.** Заштитата помага да се заштити работникот од скршени делови на тркалото, од случаен контакт со тркалото и од искри кои може да ја запалат облеката.
 - d) **Тркалата мора да се користат само за препорачаните примени.** На пример: Не брусете со страната на тркалото за сечење. Абразивните тркала за сечење се наменети за периферално брусеење. Применетите странични сили кај овие тркала може да предизвикаат кршење.
 - e) **Сеногаш користете нешоетени потпори за тркалата со соодветна димензија и форма за избраното тркало.** Соодветните потпори за тркалата го потпираат тркалото и на тој начин ја намалуваат можноста за кршење на тркалото. Потпорите за тркалата за сечење се разликуваат од оние за тркалата за брусеење.
 - f) **Не користете избани тркала од поголеми алати.** Тркало наменето за поголем алат не е соодветно за поголемата брзина на помалиот алат и може да пукне.
- ### 4) ДОПОЛНИТЕЛНИ БЕЗБЕДНОСНИ ПРЕДУПРЕДУВАЊА ЗА ОПЕРАЦИИТЕ СО СЕЧЕЊЕ
- a) **Не „заглавувајте“ го тркалото за сечење и не применувајте прекумерен притисок. Не обидувајте се да направите прекумерна длабочина при сечењето.** Ако вложите прекумерен притисок врз притисокот, тоа доведува до преоптоварување и поголема можност за превиткување или виткање на тркалото при сечењето, како и до можност за повратен удар или кршење на тркалото.
 - b) **Не поставувајте го телото во линија или зад ротирачното тркало.** Кога тркалото во даден момент на работа се оддалечува од телото, можен повратен удар може да ги придвижи ротирачното тркало и алатот директно кон вас.
 - c) **Кога тркалото се витна или кога пренинувате со сечење од ноја било причина, исклучете го алатот и држете го без да го поместувате додека тркалото не застане сосема. Никогаш не обидувајте се да го извадите тркалото за сечење додека се движат, во спротивно може да дојде до повратен удар.** Проверете и преземете корективни дејства за да исклучите причина за виткање на тркалото.
 - d) **Не започнувајте ја работата со сечење во самиот предмет за работа. Оставете тркалото да постигне полна брзина и внимателно навлезете во линијата за сечење.** Тркалото може да се свитка, да се откачи или да предизвика повратен удар ако алатот се вклучува во самиот предмет за работа.
 - e) **Потпрете ги панелите или преголемите предмети за работа за да го сведете ризикот од потфаќање на тркалото или од повратен удар на минимум.** Големите предмети за работа се виткаат заради нивната тежина. Потпорите мора да се постават под предметот за работа близу линијата за сечење и близу работ на предметот за работа од двете страни на тркалото.
 - f) **Обрнете особено внимание кога правите „цепен засек“ во постојни ѕидови или други слепи области.** При навлегување, тркалото може да ги пресече цевките за плин или вода, електричната

инсталација или да наиде на предмети коишто ќе предизвикаат повратен удар.

5) БЕЗБЕДНОСНИ ПРЕДУПРЕДУВАЊА ЗА ОПЕРАЦИИТЕ СО ПЕСКАРЕЊЕ

a) **При пескареење, не користете преголеми дискови од хартија за пескареење. Следете ги препораките на производителот кога избирате хартија за пескареење.** Поголема хартија за пескареење којашто излегува од подлошката за пескареење претставува опасност од кинеење и може да предизвика гужвање, откинување на дискот или повратен удар.

6) БЕЗБЕДНОСНИ ПРЕДУПРЕДУВАЊА ЗА ОПЕРАЦИИТЕ СО ЧЕТКАЊЕ

a) **Имајте предвид дена челичните жици се откинуваат од четката и при обична работа. Не применувајте прекумерна сила врз жиците со примена на прекумерен притисок врз четката.** Челичните жици може лесно да навлезат во облеката и/или кожата.

b) **Ако се препорачува заштита при четкањето, не дозволувајте взаемен допир на тркалото со жици или на четката со заштитата.** Тркалото со жици или четката може да се прошират во дијаметарот заради оптоварувањето во работата или заради центрифугалните сили.

ОПШТИ

- Овој алат не е соодветен за мокро брусење/сечење
- Користете ги исклучиво рабовите кои сте ги добиле со овој алат
- Овој алат не треба да го користат лица под 16 години
- **Обезбедете се алатот да е исклучен од струја пред да вршите било какво подесување или замена на приборот**

ПРИБОР

- SKIL може да признае гаранција само доколку е користен оригинален прибор
- **Користете само дискови за брусење/сечење со максимална дебелина од 8 мм и со отвор за осовината од 22 мм**
- За поставување и користење на приборите кои не се SKIL погледнете го упатството на производителот
- Не користете редуктори или апарати за да ги ставите дисковите за стругање или сечење со преголем отвор
- Никогаш не користете прибор со отвор на “слепи” навивки помали од M14 x 21 мм

КОРИСТЕЊЕ НА ОТВОРЕНО

- Приклучете го електричниот алат со помош на автоматскиот прекинувач за излегување на струјата (F) посилно од 30 mA

ПРЕД УПОТРЕБА

- Пред првото користење на електричниот алат, се препорачува да добиете практични информации
- Секогаш проверувајте напонот да е ист со оној кој е назначен на плочката на алатот (алатите за напон од 230V или 240V исто така може да се поврзат и на напон од 220V)
- Секогаш поставувајте ги дополнителната рачка E ② и заштитата F ②; никогаш не користете го алатот без нив

- **Користете соодветни детектори за наоѓање на скриени инсталации или повикајте соодветна компанија за помош** (контактот со електричните линии може да доведе до струен удар; оштетувањата во гасоводна цевка може да резултира со експлозија; пенетрирање во водоводна инсталација може да доведе до оштета на предмети или електричен удар)
- **Не обработувајте никаков материјал кој содржи азбест** (азбестот важи за предизвикувач на рак)
- Прашината од материјали како боја која содржи олово, некои видови дрво, минерали и метали, може да биде штетна за здравјето (контактот со прашина или нејзиното вдишување може да шредизвика алергии и/или болести на дишните органи за оној кој работи со алатот или луѓето во близина); **носете маска за прашина и работете со правосмуналки доколку можете да ги поврзете**
- Некои видови на прашина се канцерогени (како на пример прашина од даб или бука), особено заедно со адитиви за одржување на дрвото; **носете маска за прашина и работете со правосмуналки доколку можете да ги поврзете**
- Следете ги процедурите на вашата земја за прашина која се јавува како резултат од материјалите со кои работите
- Бидете внимателни при острење на утор, особено на носечките сидови (уторите на носечките сидови се во склад со прописите на одредени држави; овие прописи задолжително треба да се прегледаат)
- **Зацврстете го материјалот кој го обработувате** (обработка која е зацврстена со стеги или во менгеме е побезбедна отколку да ја држите со раце)
- Немојте да го прицврстувате електричниот алат во менгеме
- Продолжениот кабел кој го користите, мора да биде сосема одмотан и безбеден, со капацитет од 16 A

ВО ТЕНОТ НА УПОТРЕБАТА

- Ако кабелот се оштети или пресече за време на работата, веднаш исклучете го и не го допирајте
- Никогаш не користете алат ако кабелот е оштетен; замената на кабелот мора да ја изврши стручно лице
- Во случај да дојде до електричен или механички дефект, веднаш исклучете го алатот и исклучете го од приклучокот
- Во случај на прекин на напојувањето или ако приклучокот се извлече случајно од штекер, отклучете го прекинувањето за вклучување/исклучување H ② веднаш за да спречите неконтролирано повторно вклучување

ПО УПОТРЕБА

- По исклучувањето на електричниот алат, никогаш не го запирајте вртењето на приборот со користење на странична сила

УПОТРЕБА

- Поставување на приборот ②
- ! **извлечете го приклучокот ако кабелот**
- исчистете го вретеното A и сите делови што ќе ги поставите
- затегнете го крилцето за стегање B со клуч C додека го притискате копчето за заклучување на осовината D

- ! притискајте го копчето за заклучување на осовината D само кога осовината A е целосно застаната
- за отстранување на рачките на приборот
- ! ано дисконите за брусење/сечење во тенот на работата многу се загреат; не ги допирајте додека целосно не се оладат
- ! при користење на прибор за суво брусење секогаш ставајте заштитна подлога
- ! ниогаш не користете дискови за брусење/сечење без ознака (“blotter”) што е залепена на дискот
- Поставување на помошната рачка E ⑥
 - ! извлечете го приклучокот ано кабелот
 - зашрафете ја дополнителната рачка E оддесно, горе и одлево на алатот (зависно од работата што треба да се заврши)
- Отстранување/поставување/прилагодување на заштитниот механизам F ⑦
 - ! извлечете го приклучокот ано кабелот
 - ! водете сметка затворената страна на заштитниот механизам секогаш да биде свртена кон операторот
- Пред користење на електричниот алат
 - проверете дали е приборот исправно поставен и силно прицврстен
 - проверете дали приборот може да се помести, така што рачно ќе го стартувате
 - пробно вклучете го алатот најмалку 30 секунди на најголема брзина во празен од и во сигурна положба
 - веднаш престанете со работата доколку дојде до поголеми вибрирања или други неправилности во работата и прегледајте го алатот, за да ја одредите причината
- Прекинувач на заклучување за вклучување/исклучување H ⑧
 - вклучете на алатот ⑧a
 - ! внимавајте на повратната сила од алатот при вклучување
 - ! пред дополнителниот дел да го допре делот за работа, алатот мора да работи со полна брзина
 - заклучување на прекинувачот ⑧b
 - отклучете на прекинувачот/исклучете на алатот ⑧c
 - ! уредот треба да се подигне од работната површина пред тој да биде исклучен
 - ! приборот се врти уште некое време по исклучувањето на електричниот алат
- Брусење ⑨
 - придвижувајте го електричниот алат напред-назад со лесен притисок
 - ! ниогаш не користете диск за сечење за странично брусење
- Сечење ⑩
 - при сечењето не го навалувајте алатот
 - секогаш движете го алатот во правец на стрелките на врвот на алатот, за да спречите алатот неконтролирано да се лизне од резот
 - не го притискајте електричниот алат; пуштете го дискот за сечење да работи сам

- работната брзина на дискот за сечење зависи од материјалот што се сече
- со страничен притисок може да го скршите дискот за сечење
- Држење и насочување на алатот
 - електричниот алат секогаш држете го силно со двете раце, за да можете во секој момент да имате целосна контрола врз него
 - ! додека работите, секогаш држете го алатот за местото (местата) но е (нои) се означени со сива боја ⑪
 - секогаш бидете во сигурна положба
 - обрнете внимание на насоката на ротација, електричниот алат секогаш држете го така за искрите и прашината од брусењето/сечењето да летаат во насока спротивна од телото
 - отворите за ладење J ② држете ги отворени

СОВЕТИ ЗА ПРИМЕНА

- Наместо штитникот B ② може да се користи "CLIC" штитник за брзо поставување (SKIL прибор 2610388766); дисконите за брусење/сечење мора да се постават без користење на клучевите за приборот
- Многу други совети можете да најдете на www.skil.com

ОДРЖУВАЊЕ/СЕРВИСИРАЊЕ

- Овој алат не е наменет за професионална употреба
- Алатот и кабелот секогаш да се одржуваат чисти (особено отворите за ладење J ②)
 - ! не обидувајте се да ги чистите отворите за вентилација со вметнување на остри предмети низ отворите
 - ! пред чистење извадете го алатот од приклучокот
- Доколку алатот и покрај внимателното работење и контрола некогаш откаже, поправката мора да ја изврши некој овластен SKIL сервис за електрични алати
 - во случај на примедба, испратете го алатот нерасклопен, заедно со сметкопотврдата, до вашиот продавач или најблискиот SKIL сервис (адресите се наведени на www.skil.com)

ЗАШТИТА НА ЖИВОТНАТА СРЕДИНА

- Не се ослободувајте од електрични алати, уреди или амбалажа преку нивно фрлање во домашното ѓубре (само за земјите на EY)
 - според Европската Директива 2002/96/EC за ослободување од електрична и електронска опрема и нејзина имплементација во согласност со националните закони, електричните алати кои го достигнале крајот на својот животен век мора да бидат собрани посебно и да бидат вратени во соодветен објект за рециклирање
 - симболот ⑫ ќе ве потсетува на ова кога ќе дојде време алатот да го фрлите

ДЕКЛАРАЦИЈА ЗА УСОГЛАСЕНОСТ

CE

- Со целосна одговорност изјавуваме дека производот опишан кај "Технички податоци" е усогласен со следните стандарди или документи за стандардизација: EN 60745, EN 61000, EN 55014 во согласност со одредбите во директивите 2004/108/EG, 2006/42/EG, 2011/65/EU
- **Технично досије во:** SKIL Europe BV (PT-SEU/ENG1), 4825 BD Breda, NL

Marijn van der Hoofden Olaf Dijkgraaf
Operations & Engineering Approval Manager

SKIL Europe BV, 4825 BD Breda, NL

05.08.2013

БУЧАВА/ВИБРАЦИИ

- Мерено во согласност со EN 60745 нивото на звучен притисок е 90 dB(A) а нивото на звучна моќност 101 dB(A) (стандардно отстапување: 3 dB), и вибрација * m/c^2 (hand-arm метода; несигурност $K = 1.5 m/c^2$)
 - * со површина за брусење 8,1 m/c^2
 - * кога чистите 6,2 m/c^2
- ! **други примени (нако што се сечење или четкање) имаат други вредности за вибрациите**
- Нивото на емитирање на вибрации кое е наведено на задниот дел на ова упатство е измерено во согласност со стандардизираниот тест даден во EN 60745; може да се користи за да се спореди еден алат со друг, и како првична оценка за изложеноста на вибрации кога се користи алатот за споменатите примени
 - користењето на алатот за разни примени, или со различни или неправилно чувани делови, може да доведе до значајно **зголемување** на нивото на изложеност
 - кога алатот е исклучен или кога алатот е вклучен но не врши некаква работа, може да дојде до значително **намалување** на нивото а изложеност
- ! **заштитете се од ефектите на вибрациите преку одржување на алатот и неговите делови, одржување на топлината во вашите раце, и организирање на вашата работа**

AL

Mprehësja këndore

9176

HYRJE

- Kjo vegël pune është projektuar për mprehjen, prerjen dhe harkimin e materialeve metalike dhe ato prej guri pa përdorimin e ujit; ме аксесорџет е дуhur kjo vegël mund të përdoret gjithashtu për fërkim dhe smerilim
- Kjo vegël nuk është e projektuar për përdorim profesional

- Veprimet e prerjes me disqet prerëse lejohen vetëm kur përdoret një mbrojtëse për prerjen (e disponueshme si aksesori opsional 2610399439 nga SKIL)
- Lexoni dhe ruani këtë manual të përdorimit ③

TË DHËNAT TEKNIKE ①

ELEMENTET E PAJISJES ②

- A Boshti rrotullues
- B Fllanxha shtrënguese
- C Çelësi
- D Butoni i bllokimit të boshtit
- E Doreza ndihmëse
- F Mbrojtësja
- G Fllanxha e montimit
- H Çelësi bllokues i ndezjes/fikjes
- J Të çarat e ajrosjes

SIGURIA

UDHËZIMET E PËRGJITHSHME PËR SIGURINË

⚠ PARALAJMËRIM! Lexoni të gjitha paralajmërimet e sigurisë dhe të gjitha udhëzimet. Mosrespektimi i paralajmërimeve dhe udhëzimeve mund të rezultojë në goditje elektrike, zjarr dhe/ose dëmtime të rënda. **Ruani të gjitha paralajmërimet dhe udhëzimet për referencë në të ardhmen.** Termi "pajisje elektrike" në paralajmërimet i referohet pajisjes elektrike që përdoret nga prizat (me kablo) ose pajisjes elektrike me bateri (pa kablo).

1) SIGURIA E ZONËS SË PUNËS

- Mbajeni zonën e punës të pastër dhe të ndriçuar mirë.** Zonat e çrregullta ose të errëta janë një ftesë për aksidente.
- Mos i përdorni pajisjet elektrike në situata me mundësi shpërthimi, si në prani të lëngjeve, gazeve ose pluhurave të djegshëm.** Pajisjet elektrike shkaktojnë shkëndija që mund të ndezin pluhurat ose avujt.
- Mbajini fëmijët dhe personat e tjerë larg gjatë përdorimit të veglës së punës.** Tërheqja e vëmendjes mund të shkaktojë humbjen e kontrollit.

2) SIGURIA ELEKTRIKE

- Spinat e veglës së punës duhet të përputhen me prizën.** Mos modifikoni kurrë spinën në asnjë mënyrë. **Mos përdorni asnjë spinë përshtatëse me veglat e punës me tokëzim.** Spinat e pamodifikuara dhe prizat përshtatëse do të zvogëlojnë rezikun e goditjes elektrike.
- Shmangni kontaktin trupor me sipërfaqe të tokëzuara si tuba, radiatorë, soba dhe frigoriferë.** Ka një rrezik më të madh të goditjeve elektrike nëse trupi është i tokëzuar.
- Mos ekspozoni veglat e punës në shi ose në kushte me lagështi.** Uji që hyn në veglën e punës do të rritë rrezikun e goditjes elektrike.
- Mos abuzoni me kordonin.** Mos e përdorni kurrë kordonin për transportin, tërheqjen ose heqjen e spinës së veglës së punës. Mbajeni kordonin larg nga nxehtësia, vaji, anët e mprehta ose pjesët që

lëvizin. Kordonët e dëmtuar ose e bllokuar rrisin rrezikun e goditjes elektrike.

- e) **Kur përdorni një vegël pune në mjedis të jashtme, përdorni një kordon zgjatues të përshtatshëm për përdorim në mjedis të jashtme.** Përdorimi i një kordoni të përshtatshëm për përdorime në mjedis të jashtme zvogëlon rrezikun e goditjes elektrike.
- f) **Nëse përdorimi i veglës së punës në një vend me lagështi është i pashmangshëm, përdorni një automat qarku me shkarkesë me tokëzim.** Përdorimi i një automati me shkarkesë me tokëzim zvogëlon rrezikun e goditjes elektrike.

3) SIGURIA PERSONALE

- a) **Qëndroni në gatishmëri, shikoni se çfarë po bëni dhe përdorni gjykimin kur përdorni një vegël pune. Mos e përdorni një vegël pune kur jeni i lodhur ose nën ndikimin e ilaçeve, alkoolit ose mjekimit.** Një moment humbje e vëmendjes gjatë përdorimit të veglave të punës mund të shkaktojë dëmtime të rënda personale.
 - b) **Përdorni pajisje personale mbrojtëse. Mbani gjithmonë pajisje për mbrojtjen e syve.** Pajisjet mbrojtëse si maska kundër pluhurit, këpucët që nuk rrëshqasin, kaskat ose pajisjet për mbrojtjen e veshëve për kushtet përkatëse do të zvogëlojnë dëmtimet personale.
 - c) **Parandaloni ndezjen e rastësishme. Sigurohuni që çelësi është në pozicionin fikur para se të lidhni burimin e energjisë dhe/ose baterinë, para se të merrni ose të transportoni pajisjen.** Transportimi i veglave të punës me gishtin në çelës ose aktivizimi i veglave të punës që kanë çelësin të ndezur është një ftesë për aksidente.
 - d) **Hiqni çdo çelës ose çelës përshtatës para ndezjes së veglës së punës.** Një çelës i lënë i lidhur me një pjesë rrotulluese të veglës së punës mund të shkaktojë dëmtime personale.
 - e) **Mos u zgjasni. Mbani një vendosje të mirë të këmbëve dhe një ekuilibër të mirë në çdo moment.** Kjo gjë bën të mundur një kontroll më të mirë të veglës së punës në situata të papritura.
 - f) **Vishuni në mënyrën e duhur. Mos vishni veshje të gjera ose bizhuteri. Mbani flokët, veshjet dhe dorashkat larg nga pjesët lëvizëse.** Veshjet e gjera, bizhuteritë ose flokët e gjatë mund të kapen nga pjesët në lëvizje.
 - g) **Nëse janë ofruar pajisje për lidhjen e pajisjeve të mbledhjes dhe nxjerrjes së pluhurave, sigurohuni që ato të jenë të lidhura dhe të përdoren si duhet.** Përdorimi i mbledhjes së pluhurave mund të zvogëlojë rreziqet në lidhje me pluhurat.
- ### 4) PËRDORIMI DHE KUJDESI PËR VEGLËN E PUNËS
- a) **Mos ushtroni forcë mbi veglën e punës. Përdorni veglën e punës të duhur për përdorimin tuaj.** Vegla e punës e duhur do të realizojë një punë më të mirë dhe më të sigurt dhe me shpejtësinë që ajo është e projektuar.
 - b) **Mos përdorni veglën e punës nëse çelësi nuk e ndez apo e fik.** Çdo vegël pune që nuk mund të kontrollohet me anë të çelësit është e rrezikshme dhe duhet të riparohet.
 - c) **Shkëputni spinën nga burimi i energjisë dhe/ose baterinë nga vegla e punës para se të bëni**

rregullime të tjera, të ndryshoni aksesorët ose të ruani veglat e punës. Këto masa parandaluese të sigurisë ulin rrezikun e ndezjes aksidentale të veglës së punës.

- d) **Mbani veglat e punës larg fëmijëve dhe mos lejoni personat e pamësuar me veglën e punës ose këto udhëzime për përdorim e pajisjes.** Veglat e punës janë të rrezikshme në duart e përdoruesve të patrajnuar.
 - e) **Mirëmbani veglat e punës. Kontrolloni për mospërshtatje ose bllokim të pjesëve lëvizëse, thyerje të pjesëve dhe gjendje të tjera që mund të ndikojnë në funksionimin e veglës së punës.** Nëse dëmtohet, riparoheni veglën e punës para përdorimit. Shumë aksidente shkaktohen nga veglat e punës jo të mirëmbajtura si duhet.
 - f) **Mbajini pajisjet prerëse të pastra dhe të mprehta.** Pajisjet e prerjes të mirëmbajtura dhe me anë të mprehta kanë më pak mundësi për t'u bllokuar dhe janë më të lehta për t'u kontrolluar.
 - g) **Përdorni veglat e punës, aksesorët dhe puntot, etj. në përputhje me këto udhëzime, duke marrë parasysh kushtet e punës dhe punën që do të kryhet.** Përdorimi i veglave për përdorime të ndryshme nga ato të përcaktuara mund të shkaktojë rreziqe.
- ### 5) SHËRBIMI
- a) **Shërbimi i veglës së punës duhet të kryhet nga një person i kualifikuar për riparimet duke përdorur vetëm pjesë ndërrimi identike.** Kjo gjë do të sigurojë ruajtjen e sigurisë së veglave të punës.

UDHËZIMET E SIGURISË PËR MPREHËSET KËNDORE

1) UDHËZIMET E SIGURISË PËR TË GJITHA VEPRIMET

- a) **Kjo vegël pune është e projektuar të përdoret si pajisje për mprehje, smerilim, fërkim me tej ose për prerje. Lexoni të gjitha paralajmërimet e sigurisë, udhëzimet, ilustrimet dhe specifikimet të dhëna me këtë vegël pune.** Mosrespektimi i të gjitha udhëzimeve më poshtë mund të rezultojë në goditje elektrike, zjarr dhe/ose dëmtime të rënda.
- b) **Kjo vegël pune nuk rekomandohet për lustrime.** Veprimet për të cilat nuk është i përcaktuar përdorimi i kësaj vegle, mund të shkaktojnë një rrezik dhe të shkaktojnë lëndime personale.
- c) **Mos përdorni aksesorë që nuk janë të projektuar dhe të rekomanduar në mënyrë specifike nga prodhuesi i pajisjes.** Vetëm fakti se aksesori mund të lidhet me veglën e punës nuk garanton një përdorim të sigurt.
- d) **Shpejtësia nominale e aksesorit duhet të jetë të paktën e barabartë me shpejtësinë maksimale në veglën e punës.** Aksesorët që punojnë më shpejt se shpejtësia e tyre nominale mund të shkëputen e të fluturojnë.
- e) **Diametri i jashtëm dhe trashësia e aksesorit tuaj duhet të jetë brenda vlerës së kapacitetit të veglës së punës.** Aksesorët me madhësi të gabuara nuk mund të ruhen ose të kontrollohen si duhet.
- f) **Montimi me filetim i aksesorëve duhet të përputhet me filetimin e boshtit të pajisjes mprehëse. Për aksesorët që montohen me fllanxa, vrima e boshtit kryesor të aksesorit duhet të përputhet me diametrin e vendosjes së fllanxhës.** Aksesorët që nuk

- përputhen me mekanizmin e montimit të veglës së punës do të humbin ekuilibrin, do të dridhen më shumë se sa duhet dhe mund të shkaktojnë humbje të kontrollit.
- g) **Mos përdorni një aksesori të dëmtuar. Para çdo përdorimi, kontrolloni aksesorët si rrotat gërryese për krisje ose ciflosje, fletët mbështetëse për krisje, çarja ose konsum të tepërt, furçat e telit për tela të liruar ose të thyer. Nëse vegla e punës ose aksesori ju bie, kontrolloni për dëmtime ose montoni një aksesori të padëmtuar. Pasi të kontrolloni dhe të montoni një aksesori, qëndroni dhe vendosni personat e tjerë larg nga plani i aksesorit rrotullues dhe përdoreni veglën e punës me shpejtësi maksimale pa ngarkesë për një minutë.** Aksesorët e dëmtuar normalisht do të thyhen gjatë kësaj kohe prove.
- h) **Përdorni pajisje personale mbrojtëse ④. Në varësi të punës, përdorni mbrojtëse për fytyrën, syze ose maska sigurie. Sipas nevojës, mbani maska për pluhurat, mbrojtëse për dëgjimin, doreza dhe përparëse pune që mund të ndalojnë fragmentet e vogla gërryese ose të materialit të punës.** Mbrojtëset e syve duhet të arrijnë të ndalojnë copëzat që fluturojnë të krijuara nga përdorimet e ndryshme. Maska e pluhurave ose respiratori duhet të arrijnë të filtrojnë grimcat e krijuara nga veprimi juaj. Ekspozimi i gjatë ndaj zhurmave me intensitet të lartë mund të shkaktojë humbje të dëgjimit.
- i) **Mbajni personat e tjerë larg në një distancë të sigurt nga zona e punës. Çdo person që hyn në zonën e punës duhet të veshë pajisje personale mbrojtëse.** Fragmentet e materialit të punës ose të një aksesori të thyer mund të fluturojnë dhe të shkaktojnë lëndime jashtë zonës direkte të punës.
- j) **Mbajni veglën e punës nga sipërfaqet e izoluar të kapjes, kur kryeni një veprim ku aksesori i prerjes mund të bjerë në kontakt me tela të fshehur ose kordonin e saj.** Kontakti i aksesorit të prerjes me një tel elektrik do të bëjë që pjesët metalike të ekspozuara të veglës së punës të përcjellin energjinë elektrike dhe të shkaktojnë goditjen e operatorit.
- k) **Vendoseni kordonin larg aksesorit rrotullues.** Nëse humbni kontrollin, kordoni mund të pritët ose të ngecë dhe dora ose krahu juaj mund të tërhiqet në aksesorin rrotullues.
- l) **Mos e lini kurrë poshtë veglën e punës deri sa aksesori të ndalojë plotësisht.** Aksesori rrotullues mund të kapet në sipërfaqe dhe të bëjë që vegla e punës të dalë nga kontrolli.
- m) **Mos e aktivizoni veglën e punës kur e transportoni ose e mbani në krah.** Kontakti aksidental me aksesorin rrotullues mund të shkaktojë ngecjen në rroba, duke e tërhequr aksesorin drejt trupit.
- n) **Pastroni rregullisht vrimat e ajrimit të veglës së punës.** Ventilatori i motorit tërheq pluhurat në kasë dhe grumbullimi i tepërt i metaleve në formë pluhuri mund të shkaktojë rrezik nga elektriciteti.
- o) **Mos e përdorni veglë e punës afër materialeve të djegshme.** Shkëndijat mund t'i ndezin materialet.
- p) **Mos përdorni aksesorë që kërkojnë ftohës të lëngshëm.** Përdorimi i ujit ose ftohësve të tjerë të lëngshëm mund të shkaktojë goditje ose shkarkesë elektrike.

2) GODITJA E KTHIMIT DHE PARALAJMËRIMET PËRKATËSE

- Goditja e kthimit është një reagim i papritur i një rrote rrotulluese, flete mbështetëse, furçe ose aksesori tjetër të kapur ose të ngecur. Ngecja ose bllokimi shkakton ndalimin e menjëhershëm të aksesorit rrotullues i cili më pas bën që vegla e punës jashtë kontrollit të lëvizë në drejtimin e kundërt të rrotullimit të aksesorit në pikën e bllokimit.
 - Për shembull, nëse një rrotë gërryese ngeç ose kapet te materiali, ana e rrotës që futet në pikën e bllokimit mund të ngulet në sipërfaqen e materialit duke bërë që rrota të ngrihet ose të goditet. Rrota mund të kërcejë drejt ose larg nga përdoruesi, në varësi të drejtimit të lëvizjes së rrotës në pikën e bllokimit. Rrotat gërryese mund të thyhen gjithashtu në këto kushte.
 - Goditja e kthimit është rezultat i keqpërdorimit të veglës së punës dhe/ose procedurave ose kushteve të papërshtatshme të funksionimit dhe mund të shmanget duke ndërmarrë masat paraprake të duhura si më poshtë.
- a) **Mbajni mirë veglën e punës dhe poziciononi trupin dhe krahu në mënyrë të tillë që t'i përballojnë forcat e goditjes së kthimit. Përdorni gjithmonë një dorezë ndihmëse, nëse ka, për një kontroll maksimal mbi goditjen e kthimit ose reagimin ndaj rrotullimit gjatë ndezjes.** Përdoruesi mund të kontrollojë reagimet e forcës rrotulluese ose forcat e goditjes së kthimit nëse merren masat e duhura.
 - b) **Mos vendosni kurrë dorën afër aksesorit rrotullues.** Aksesori mund të shkaktojë goditjen e kthimit mbi dorë.
 - c) **Mos u poziciononi në zonën ku mund të lëvizë vwegla e punës nëse ndodh goditja e kthimit.** Goditja e kthimit do ta lëvizë veglën në drejtimin e kundërt me lëvizjen e rrotës në pikën e bllokimit.
 - d) **Kini shumë kujdes kur punoni me cepat, anë të mprehta, etj. Shmangni kërcimin ose ngecjen e aksesorit.** Cepat, anët e mprehta ose kërcimet kanë tendencë që të bllokohen aksesorin rrotullues dhe të shkaktojnë humbjen e kontrollit ose goditjen e kthimit.
 - e) **Mos lidhni një thikë druri të zinxhirit të sharrës ose një thikë sharre me dhëmbë.** Thika të tilla shkaktojnë shpesh goditje kthimi dhe humbje kontrolli.
- ### 3) PARALAJMËRIMET E SIGURISË SPECIFIKE PËR VEPRIMET E MPREHJES DHE TË PRERJES
- a) **Përdorni vetëm llojet e disqeve të rekomanduara për veglën e punës dhe mbrojtësen specifike të projektuar për diskun e zgjedhur.** Disqet për të cilat nuk është parashikuar kjo vegël, nuk mund të mbrohen në mënyrë e duhur dhe nuk janë të sigurt.
 - b) **Sipërfaqja e mprehjes e rrotave të shtypura në qendër duhet të montohet poshtë planit të buzës së mbrojtëses.** Rrota e montuar gabim që del nëpër planin e buzës së mbrojtëses nuk ka mbrojtjen e duhur.
 - c) **Mbrojtësja duhet të lidhet mirë me veglën e punës dhe të pozicionohet për siguri maksimale, në mënyrë që disku të ekspozohet sa më pak nga përdoruesi.** Mbrojtësja ndihmon në mbrojtjen e operatorit nga copëzat e thyera të diskut, kontaktet aksidentale me diskun dhe shkëndijat që mund të ndezin veshjet.
 - d) **Disqet duhet të përdoren vetëm për veprimet e rekomanduara.** Për shembull: Mos mprehni me pjesën

anësore të diskut prerës. Disqet gërryerëse të prerjes janë të projektuara për mprehje periferike; forcat anësore të zbatuara mbi këto disqe mund të shkaktojnë thyerjen e tyre.

- e) **Përdorni gjithmonë flanaxha disku të padëmtuara me madhësi dhe formën e duhur për diskun e zgjedhur.** Fllanaxhat e sakta të diskut mbështesin diskun duke zvogëluar mundësinë e thyerjes së diskut. Fllanaxhat për disqet prerëse mund të jenë të ndryshme nga fllanaxhat e disqeve mprehëse.

- f) **Mos përdorni disqe të konsumuara nga vegla pune më të mëdha.** Një disk i projektuar për një vegël pune më të madhe nuk është i përshtatshëm për shpejtësinë më të madhe të një vegle më të vogël dhe mund të plasë.

4) PARALAJMËRIME SHITESË TË SIGURISË PËR VEPRIMET E PRERJES

- a) **Mos e sforconi diskun e prerjes dhe mos ushtroni forcë të tepërt.** Mos u përpiqni të bëni një prerje me thellësi mjaft të madhe. Sforcimi i diskut rrit ngarkesën dhe mundësinë e përdredhjes ose ngecjes së diskut brenda në prerje si dhe mundësinë e goditjes së kthimit ose të thyerjes së diskut.

- b) **Mos u poziciononi në drejtimin e diskut rrotullues apo prapa tij.** Kur disku në pikën e punës largohet nga trupi juaj, një goditje e mundshme e kthimit mund të lëvizë diskun rrotullues dhe veglën e punës në drejtimin tënd.

- c) **Kur disku ngec ose kur ndërprisni prerjen për një arsye të caktuar, fikeni veglën e punës dhe mbajeni veglën të palëvizur deri sa disku të ndalojë plotësisht.** Mos u përpiqni kurrë të hiqni diskun e prerjes nga prerja kur disku është në lëvizje, në rast të kundërt mund të ndodhi një goditje kthimi.

Kontrolloni dhe kryeni veprime korrigjuese për të eliminuar shkakun e bllokimit të diskut.

- d) **Mos rifilloni veprimin e prerjes në materialin e punës.** Lëreni diskun të arrijë shpejtësinë maksimale dhe rifuteni me kujdes te prerja. Disku mund të ngec, mund të dalë jashtë ose të kthehet prapa nëse vegla rindizet brenda në materialin e punës.

- e) **Mbështetini mirë panelet ose materialet shumë të mëdha për të minimizuar rrezikun e ngecjes ose të goditjes së kthimit të diskut.** Materiallet e mëdha kanë tendencën të epen nën peshën e tyre. Mbështetëset duhet të vendosen poshtë materialit të punës afër vijës së prerjes dhe anës së materialit në të dy krahet e diskut.

- f) **Kini shumë kujdes kur krijoni një prerje “xhep” në mure ekzistuese ose zona të tjera të panjohura.** Disku që del mund të presë tubat e gazit ose ujit, telat elektrikë ose objekte që mund të shkaktojnë goditjen e kthimit.

5) PARALAJMËRIMET E SIGURISË SPECIFIKE PËR VEPRIMET E SMERILIMIT

- a) **Gjatë smerilimit, mos përdorni letër smerilimi shumë të madhe për diskun.** Ndëqni rekomandimet e prodhuesit kur zgjidhni letrën e smerilimit. Letra e smerilimit më e madhe që del jashtë panelit të smerilimit përbën një rrezik grisjeje dhe mund të shkaktojë ngecjen, çarjen e diskut ose goditjen e kthimit.

6) PARALAJMËRIMET E SIGURISË SPECIFIKE PËR VEPRIMET E FËRKIMIT

- a) **Kini parasysh se fije të ashpra teli bien nga furça edhe gjatë veprimeve të zakonshme.** Mos i sforconi telat duke ushtruar shumë ngarkesë të furçës. Fijet e telit mund të depërtojnë me lehtësi në rroba dhe/ose lëkurë.
- b) **Nëse rekomandohet përdorimi i një mbrojtëseje për fërkimin me tel, mos lejoni ndërhyrje të diskut ose furçës me tela të mbrojtësja përkatëse.** Disku ose furça me tela mund të zgjerohet në diametër për shkak të ngarkesës së punës dhe forcave centrifugale.

TË PËRGJITHSHME

- Kjo vegël nuk është e përshtatshme për mprehje/prerje në lagështi
- Përdorni vetëm fllanaxhat që shoqërojnë këtë vegël
- Kjo pajisje nuk duhet të përdoret nga personat nën moshën 16 vjeç
- **Shkëputni gjithmonë spinën nga burimi i energjisë para kryerjes së rregullimeve ose ndryshimeve të aksesorëve**

AKSESORËT

- SKIL mund të garantojë funksionimin pa probleme të veglës vetëm kur përdoren aksesorët origjinalë
- **Përdorni vetëm me disqe mprehës/prerës me një trashësi maksimale prej 8 mm dhe një diametër të vrimës së boshitit prej 22 mm**
- Për montimin/përdorimin e aksesorëve jo nga SKIL, ndiqni udhëzimet e prodhuesit përkatës
- Mos përdorni kurrë zvogëluar ose përshtatës për të vendosur disqe mprehëse/prerëse me vrima të mëdha
- Mos përdorni kurrë aksesorë më një vrimë me fileto “të mbyllur” më të vogël se M14 x 21 mm

PËRDORIMI NË AMBIENTE TË JASHTME

- Lidhni veglën me anë të një automati të qarkut për korentin defektos (FI) me një rrymë aktivizimi prej 30 mA maksimumi

PARA PËRDORIMIT

- Para se ta përdorni veglën për herë të parë, rekomandohet që të merrni informacione praktike
- Kontrolli gjithmonë që voltazhi i energjisë të jetë i njëjtë me voltazhin që tregohet në etiketën e veglës (veglat me klasifikimin 230 V ose 240 V mund të lidhen po ashtu me një burim 220 V)
- Montoni gjithmonë dorezën ndihmëse E ② dhe mbrojtësen F ②; mos e përdorni kurrë veglën pa të
- **Përdorni detektorë përkatës për të gjetur linjat e fshehura të shërbimit ose telefononi kompaninë lokale të shërbimeve për ndihmë** (kontakti me linjat elektrike mund të shkaktojë zjarr ose goditje elektrike; dëmtimi i një linje gazi mund të shkaktojë një shpërthim; shpimi i një tubi uji do të shkaktojë dëmtim të pronës ose një goditje elektrike)
- **Mos punoni me materialet që përmbajnë asbest** (asbesti konsiderohet kancerogjen)
- Pluhurat nga materialet si boja me plumb, disa lloje drurësh, mineralesh dhe metalesh mund të jenë të dëmshme (kontakti ose thithja e pluhurave mund të shkaktojë reagime alergjike dhe/ose sëmundje respiratore për përdoruesin ose personat përreth); **mbani një maskë për pluhurat dhe punoni me një pajisje për heqjen e pluhurave kur mund të lidhet**

- Disa lloje pluhurash skanë klasifikuar si kancerogjene (si pluhuri i lisit dhe i ahut) veçanërisht në ndërthurje me lëndët shtesë për kondicionimin e drurit; **mbani një maskë për pluhurat dhe punoni me një pajisje për heqjen e pluhurave kur mund të lidhet**
- Respektoni kërkesat kombëtare në lidhje me pluhurat për materialet me të cilat dëshironi të punoni
- Kini kujdes kur prisni kanale, veçanërisht në murë mbështetëse (të çarat në muret mbështetëse janë objekt i rregulloreve specifike të shtetit; këto rregullore duhet të merren parasysh në çdo rrethanë)
- **Sigurori materialin e punës** (një material i shtrënguar me një pajisje shtrëngimi ose morskë mbahet në mënyrë më të sigurt se sa me dorë)
- Mos e shtrëngoni veglën në një morskë
- Përdorni kordonë të pahapur dhe të sigurt për zgjatime, me një kapacitet 16 amper

GJATË PËRDORIMIT

- Nëse kordoni dëmtohet ose pritet gjatë punës, mos e prekni kordonin por hiqni menjëherë spinën
- Mos e përdorni kurrë veglën kur kordoni është i dëmtuar; zëvendësojeni nga një person i kualifikuar
- Në rast të një defekti elektrik ose mekanik, fikni menjëherë pajisjen dhe hiqni spinën
- Në rast të ndërprerjes sëkorrentit ose kur spina hiqet aksidentalisht, zhbllokoni menjëherë çelësin e ndezjes/fikjes H ② për të parandaluar rindezjen e pakontrolluar

PAS PËRDORIMIT

- Pas fikjes së veglës, mos e ndaloni kurrë rrotullimin e aksesorit duke ushtruar një forcë anësore

PËRDORIMI

- Montimi i aksesoreve ②
! **hiqni spinën**
- pastroni boshtin kryesor A dhe të gjitha pjesët që do të montohen
- shtrëngoni fllanxhën shtrënguese B me çelës C ndërsa shtyni butonin e bllokimit të boshtit D
! **shtypni butonin e bllokimit të boshtit rrotullues D vetëm kur boshti A të jetë e palëvizshme**
- për heqjen e dorezës së aksesoreve anasjelltas
! **disqet mprehëse/prerëse nxehen shumë gjatë përdorimit; mos i prekni deri sa të ftohen**
! **montoni gjithmonë panele mbështetëse kur përdorni aksesorë për smerilimin**
! **mos përdorni kurrë një disk mprehës/prerës pa një etiketë ("thithëse") që i ngjitet sipër (nëse ka)**
- Montimi i dorezës ndihmëse E ③
! **hiqni spinën**
- vidhosni dorezën ndihmëse E në të djathtë, sipër ose në të majtë të veglës (në varësi të punës që do të kryhet)
- Heqja/montimi/rregullimi i mbrojtëses F ⑦
! **hiqni spinën**
! **sigurohuni që ana e mbyllur e mbrojtëses është e drejtuar gjithmonë nga operatori**
- Para përdorimit të veglës
- sigurohuni që aksesori të jetë i montuar si duhet dhe të jetë i shtrënguar mirë
- kontrolloni nëse aksesori lëviz lirshëm duke e rrotulluar me dorë

- ndizeni veglën për provë për të paktën 30 sekonda me shpejtësinë më të lartë pa ngarkesë në një pozicion të sigurt
- ndalojeni menjëherë në rast të dridhjeve të shumta ose defekteve të tjera dhe kontrolloni veglën për të përcaktuar shkaktuar
- Çelësi bllokues i ndezjes/fikjes H ⑧
- ndizni veglën ⑧a
! **kini kujdes për goditje të papritura kur ndizni pajisjen**
! **para se aksesori të prekë materialin e punës, vegla duhet të punojë me shpejtësi të plotë**
- bllokoni çelësin ⑧b
- zhbllokoni çelësin/fikni veglën ⑧c
! **para se ta fikni veglën, ju duhet ta ngrini atë nga materiali i punës**
! **aksesori vazhdon të rrotullohet për pak kohë pas fikjes së veglës**
- Mprehja ⑨
- lëvizni pajisjen para prapa me një trysni mesatare
! **mos përdorni kurrë një disk prerës për mprehje anësore**
- Prerja ⑩
- mos e anoni veglën gjatë procesit të prerjes
- lëvizni gjithmonë veglën në të njëjtin drejtim si shigjeta në kokën e pajisjes, për të parandaluar daljen e saj nga vendi i prerjes në mënyrë të pakontrolluar
- mos ushtroni presion mbi pajisje; lërimi shpejtësinë e diskut prerës që të bëjë vetë punën
- shpejtësia e punës e diskut të prerjes varet nga materiali që do të pritet
- mos i frenoni disqet prerëse duke ushtruar presion anësor
- Mbatja dhe drejtimi i veglës
- mbajeni gjithmonë veglën mirë me të dyja duart, në mënyrë që të keni kontroll të plotë të veglës në të gjitha momentet
! **gjatë punës, mbajeni gjithmonë veglën në zonën(at) e dorezës me ngjyrë gri ①**
- garantoni një qëndrim të sigurt
- kini parasysh drejtimin e rrotullimit; mbajeni gjithmonë veglën në mënyrë që shkëndijat dhe pluhuri i mprehjes/prerjes të largohet nga trupi juaj
- mbajeni të çarat e ajrimit J ② të pambuluara

KËSHILLË PËR PËRDORIMIN

- Në vend të fllanxhës B ②, mund të përdorni fllanxhën me kapje të shpejtë "CLIC" (aksesori 2610388766 nga SKIL); disqet mprehëse/prerëse mund të montohen më pas pa përdorimin e çelësave të aksesorit
- Për më shumë këshilla, vizitoni www.skil.com

MIRËMBAJTJA / SHËRBIMI


- Kjo vegël nuk është e projektuar për përdorim profesional
- Mbajeni gjithmonë veglën dhe kordonin të pastër (veçanërisht të çarat e ajrosjes J ②)
! **mos u përqipni të pastroni fletët e ajrimit duke futur objekte me majë nëpërmjet të çarave**
! **shkëputni spinën para pastrimit**

- Nëse pajisja ka defekt pavarësisht kujdesit në prodhim dhe procedurat e provave, riparimi duhet të kryhet nga një qendër e shërbimit pas shitjes për veglat e punës të SKIL
- dërgoni veglën **të çmontuar** së bashku me vërtetimin e blerjes te shitësi ose te qendra më e afërt e shërbimit e SKIL (adresat si dhe diagrami i shërbimit i veglës janë të paraqitura në www.skil.com)

- kohët kur pajisja është e fikur dhe kur është e ndezur por jo në punë, mund të **zvogëlojnë** ndjeshëm nivelin e ekspozimit

! **mbroni veten nga efektet e vibrimit duke mirëmbajtur pajisjen dhe aksesoret e saj, duke i mbajtur duart e ngrohta dhe duke organizuar mënyrën tuaj të punës**

MJEDISI

- Mos i hidhni veglat elektrike, aksesoret dhe paketimin së bashku me materialet e mbeturinave familjare** (vetëm për vendet e BE-së)
 - në respektim të Direktivës evropiane 2002/96/EC për pajisjet elektrike dhe elektronike si mbetje dhe zbatimin e saj në përputhje me ligjet kombëtare, pajisjet elektrike që kanë arritur në fund të jetëgjatësisë së tyre duhet të mblidhen të ndara dhe të kthehen në një objekt riciklimi në përputhje me mjedisin.
 - simboli  do t'ju kujtojë për këtë gjë kur të jetë nevoja për t'i hedhur

DEKLARATA E KONFORMITETIT CE

- Ne deklarojmë me përgjegjësinë tonë të vetme se ky produkt i përshkruar në "Të dhëat teknike" është në përputhje me standardet ose dokumentet e standardizimit si më poshtë: EN 60745, EN 61000, EN 55014 në përputhje me dispozitat e direktivave 2004/108/EC, 2006/42/EC, 2011/65/EU
- Dosja teknike në:** SKIL Europe BV (PT-SEU/ENG1), 4825 BD Breda, Holandë

Marijn van der Hoofden
Operations & Engineering

Olaf Dijkgraaf
Approval Manager

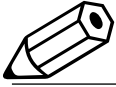



SKIL Europe BV, 4825 BD Breda, NL

05.08.2013

ZHURMA/VIBRIMI

- E matur në përputhje me EN 60745, niveli i trysnisë së tingullit i kësaj pajisje është 90 dB(A) dhe niveli i fuqisë së tingullit 101 dB(A) (shmangia standarde: 3 dB) dhe vibrimi * m/s^2 (metoda e krahut-dorës; pasiguria $K = 1,5 \text{ m/s}^2$)
 - * gjatë mprehjes në sipërfaqe 8,1 m/s^2
 - * gjatë smerilimit 6,2 m/s^2
- ! **përdorimet e tjera (si prerja ose fërkimi me tela) mund të ketë vlera të ndryshme të dridhjes**
- Niveli i emetimit të vibrimit është matur në përputhje me një provë të standardizuar të dhënë në EN 60745; ajo mund të përdoret për të krahasuar një vegël me një tjetër dhe si një vlerësim paraprak i ekspozimit ndaj vibrimit kur përdorni pajisjen për proceset e përmendura
 - përdorimi i pajisjes për procese të ndryshme, ose me aksesore të ndryshëm dhe të mirëmbajtur keq, mund të **rritë** ndjeshëm nivelin e ekspozimit



• برش (I)

- ابزار را در حين برش كنج نكنيد
- هميشه بايد جهت حرکت ابزار موافق فلش روی سمر ابزار باشد تا از بيرون زدن کنترل نشده ابزار از برش جلوگیری شود
- به ابزار فشار وارد نكنيد: اجازه دهید سرعت سنگ برش، كار را برای شما انجام دهد
- دور کاری سنگهای برش به موادی که می خواهید برش دهید بستگی دارد
- هرگز نباید با وارد کردن فشار جانبی سنگ های برش را شکست
- نگهداشتن و هدایت ابزار
 - هميشه ابزار را خیلی محكم با هر دو دست بگيريد. تا در كليه اوقات روی ابزار کنترل كامل داشته باشيد
 - ! هنگام كار بايد هميشه ابزار را از دستگيره (های) خاکستری رنگ بگيريد
- (II)
 - بطور مطمئن بایستید
 - به جهت چرخش دقت کنید: هميشه ابزار را طوری در دست بگیرید که جرقه ها و ذرات حاصل از فرزکاری/برش از بدن شما دور شوند
 - شیارهای تهویه (I) را مسدود نكنيد

توصیه های کاربردی

- می توان به جای فلنج B (I) از فلنج بیست سریع «CLIC» لوازم جانبی SKIL شماره قطعه (۲۸۸۷۱۱-۲۱۱) استفاده کرد: سنگهای فرزکاری/برش را سپس می توان بدون نیاز به آچارهای بدکی سوار کرد
- برای نکات بیشتر به www.skil.com مراجعه کنید

نگهداری / سرویس- خدمات

- این ابزار برای مصارف حرفه ای مناسب نیست
- هميشه ابزار و سیم برق را تمیز نگهدارید (بخصوص شیارهای تهویه ل (I))
- ! سعی نكنيد با وارد کردن اشیاء نوک تیز در منافذ شیارهای تهویه، آنها را تمیز كنيد
- ! پیش از تمیز کردن سیم برق را از برق بکشید
- اگر ابزار غیرعمر تمام دقت و مراقبتي که در فرایندهای تولید و تست بکار برده شده از کار افتاد. تعمیرات باید فقط در مراکز خدمات پس از فروش ابزارهای برقی SKIL انجام شود
- ابزار را بصورت بازنشده همراه با رسید خرید به فروشنده یا نزدیک ترین مرکز خدمات رسانی SKIL بفرستید (آدرسها به همراه نمودارنشده های سرویس ابزار در www.skil.com موجود است)

محیط زیست

- ابزارهای برقی، لوازم و متعلقات و بسته بندی آنها را نباید همراه با زباله های عادی خانگی دور انداخت (فقط مخصوص کشورهای عضو اتحادیه اروپا)
- با توجه به مصوبه اروپایی ۲۰۰۲/۱۹۱/EC اروپا درباره لوازم برقی و الکترونیکی مستعمل و اجرای این مصوبه مطابق با قوانین کشوری ابزارهای برقی که به پایان عمر مفید خود رسیده اند باید جداگانه جمع آوری شده و به یک مرکز بازیافت مناسب و سازگار با محیط زیست انتقال یابند
- نمادعلامت (II) یادآور این مسئله در هنگام دور انداختن است

اعلامیه مبنی بر رعایت استاندارد CE

- ما بر اساس مسئولیت انحصاری خود اعلام می نمایم که محصول شرح داده شده در قسمت «اطلاعات فنی» با استانداردها یا مستندات استاندارد شده زیر سازگاری و تطابق دارد: EN ۶۰۷۴۵ : EN ۱۱۰۰۰ : EN ۵۵۰۱۴ : مطابق با مفاد مصوبات EN/EC ۲۰۰۴/۱۱۰۷، EN/EC ۲۰۰۲/۱۹۱/EC، EN/EC ۲۰۰۱/۱۵
- پرونده فنی در: ۴۸۲۵ BD Breda, NL

Marijn van der Hoofden
Operations & Engineering

Olaf Dijkgraaf
Approval Manager

SKIL Europe BV, 4825 BD Breda, NL

05.08.2013

صدا/ارتعاشات

- اندازه گیری ها بر اساس استاندارد EN ۶۰۷۴۵ انجام و مشخص شد که میزان فشار صوتی این ابزار ۹۰ دسی بل و میزان توان صوتی آن ۱۰۱ دسی بل (با انحراف استاندارد ۳: دسی بل). و میزان ارتعاشات * می باشد (شیوه دست-بازو، عدم قطعیت $K = 1,5$ متر/مخزور ثانیه)
- * در صورت فرزکاری سطوح ۸,۱ متر/مخزور ثانیه
- * در صورت سنباده زنی ۱,۲ متر/مخزور ثانیه
- ! میزان ارتعاش در کاربردهای دیگر (مانند برش یا برس سیمی) ممکن است متفاوت باشد
- میزان انتشار ارتعاشات بر اساس تست استاندارد شده ای که در EN ۶۰۷۴۵ معرفی شده است اندازه گیری گردید: از این ارقام می توان برای مقایسه یک ابزار با دیگری و بعنوان ارزیابی اولیه در معرض قرارگیری ارتعاشات هنگام کار با ابزار در کاربری های فوق استفاده کرد
- استفاده کردن از ابزار برای کاربردهای متفاوت. یا با لوازم و متعلقات متفاوت/تفرقه یا لوازم و متعلقاتی که بد نگهداری شده اند. می تواند میزان در معرض قرارگیری را بطور قابل ملاحظه ای افزایش دهد
- موافقی که ابزار خاموش است یا روشن است ولی کاری با آن انجام نمی شود. میزان در معرض قرارگیری بطور قابل توجهی کاهش می یابد
- ! با نگهداری مناسب از ابزار و لوازم و متعلقات آن، گرم نگه داشتن دست های خود، و سازمان دهی طرح های کاری می توانید خود را در برابر اثرات ارتعاش محافظت کنید

ح هنگام ایجاد "برش های جیبی" در دیوارهای موجود و یا سایر بخشهای پنهان خیلی احتیاط کنید. چون امکان دارد سنگ لوله های گاز یا آب، سیم های برق یا اشیا دیگر را قطع کرده و در نتیجه پس بزنند.

د هشدارهای ایمنی برای سنبنده زنی
ه برای سنبنده زنی نباید از کاغذ سنبنده های خیلی بزرگ استفاده کرد. به منظور انتخاب کاغذ سنبنده مناسب به توصیه های سازنده توجه کنید. کاغذهای سنبنده بزرگ که از لبه قاب سنبنده بیرون می زنند باعث ایجاد جراحات، گیر کردن، پاره شدن کاغذ سنبنده و یا پس زدن خواهند شد.

و هشدارهای ایمنی برای پرس سیمی
ز توجه داشته باشید که حتی در شرایط عادی کاری، تکه های سیم از پرس های سیمی جدا می شود. از وارد کردن باز بیش از حد بروی سیم ها خودداری کنید. تکه های کوچک سیم براحتی لباس های سبک و یا پوست بدن را پاره می کنند.

ح اگر توصیه شده که از حفاظ برای کاری پرس سیمی استفاده شود، اجازه ندهید سیم یا برس با حفاظ تماس پیدا کنند. امکان دارد قطر صفحه سیم یا برس بر اثر بارهای وارده و نیروهای گریز از مرکز افزایش پیدا کند.

عمومی
این ابزار برای فرزکاری/برش تر مناسب نیست
تنها از فلاجهای که همراه با این ابزار ارائه شده است استفاده نمایید
افراد کمتر از ۱۶ سال نباید با این دستگاه کار کنند
قبل از هرگونه تنظیم یا تعویض کردن لوازم و ملحقات حتماً باید سیم برق دستگاه را از پریز بکشید

متعلقات
SKIL در صورتی که از متعلقات اصلی استفاده کنید عملکرد بدون مشکل ابزار را تضمین می نماید
فقط از چرخ سنبنده هایصفحه سنگهای اصل یا حداکثر ضخامت ۸ میلیمتر و قطر سوراخ شفت ۲۲ میلیمتر استفاده شود
برای سوار کردن/استفاده از متعلقاتی که توسط SKIL ساخته نشده، همیشه باید دستورالعملهای سازنده مربوطه را دنبال کنید
هرگز از کاهنده ها یا مبدل ها برای جاز رزن سنگ های فرزابرش یا سوراخ بزرگتر استفاده نکنید
هرگز از متعلقات دارای سوراخ رزوه دار "ته بسته" کوچکتر از ۱۱ x ۱۱ میلیمتر استفاده نکنید
استفاده در فضای آزاد
ابزار را به یک مدار شکن جریان خطا (FI) با سقف جریان حداکثر ۳۰ میلی آمپر وصل کنید
پیش از استفاده
توصیه می شود پیش از اینکه برای بار اول از ابزار استفاده کنید، اطلاعات عملی را دریافت نمایید
همیشه مطمئن شوید که ولتاژ ورودی دستگاه برابر ولتاژی باشد که روی پلاک دستگاه نوشته شده است (ابزارهایی که ولتاژ ورودی آنها ۲۳۰ یا ۲۴۰ ولت مشخص شده است می توانند با برق ۲۲۰ ولت هم کار کنند)
همیشه دسته کمکی E (۲) و حفاظ F (۳) را سوار کنید؛ هرگز بدون آنها از ابزار استفاده نکنید
برای پیدا کردن سیم و لوله های پنهان از دستگاه های دکتور مناسب استفاده کرده یا با شرکت های آب و برق و گاز محلی تماس گرفته و از آنها کمک بخواهید (تماس با سیم های برق موجب آتش سوزی و برق گرفتگی می شود؛ آسیب رساندن به لوله های گاز سبب انفجار می شود؛ سوراخ کردن لوله های آب به ساختمان آسیب رسانده و موجب خطر برق گرفتگی می شود)
یا موادی حاوی آزیست کار نکنید (آزیست سدرطان زاست)
گرد و خاکی که از موادی مانند رنگ های حاوی سرب، برخی گونه های چوب، مواد معدنی و فلزات بلند می شود می تواند خطرناک باشد (تماس با این گرد و خاکها و یا تنفس آنها می تواند در کاربران ابزار یا افراد نزدیک به محل کار و کنش های حساسیتی و یا بیماری های تنفسی ایجاد کند)؛ یک ماسک مخصوص گرد و خاک بزنید و در صورت امکان از یک وسیله مکش گرد و خاک استفاده کنید
برخی از گرد و خاکها (مانند گرد و خاکی که از چوب بلوط یا راش بلند می شود) علی الخصوص در مجاورت افزودنی های مخصوص چوب، سرطان زا هستند، یک ماسک مخصوص گرد و خاک بزنید و در صورت امکان از یک وسیله مکش گرد و خاک استفاده کنید
از مقررات ملی مربوط به گرد و خاک موادی که می خواهید با آنها کار کنید پیروی نمایید

• هنگام ایجاد اشیا، بخصوص در دیوارهای حائل بسیار دقت کنید (اشیاء را در دیوارهای حائل مشمول مقررات مخصوص ملی می شوند؛ این مقررات باید تحت کلیه شرایط رعایت شوند)

• قطعه سیم را محکم کنید (اگر قطعه کاری را با گیره های جاری یا گیره های رومیژی ثابت کنید بسیار مطمئن تر از گرفتن آن با دست خواهد بود)
• ابزار را در گیره قرار ندهید
• سیم های رابط برق باید کاملاً باز شده و ایمن باشند. از سیم هایی با رده بندی ۱۶ آمپر

در حین استفاده

• اگر سیم برق آسیب دیده یا بریده شده باشد، هرگز به سیم دست نزنید. اما فوراً آنرا از پریز بکشید
• وقتی که سیم برای ابزار آسیب دیده هرگز از آن استفاده نکنید و از یک فرد متخصص بخواهید آنرا برای شما عوض کند

• در صورت بروز اشکالات برقی یا مکانیکی، فوراً ابزار را خاموش کرده و سیم برق آنرا از پریز بکشید
• در صورت قطع برق یا بیرون کشیده شدن اتفاقی دوشاخه، برای جلوگیری از راه افتادن دوباره و کنترل نشده ابزار کلید روشن/خاموش (H) را رها کنید

بعد از استفاده

• بعد از خاموش کردن ابزار، هرگز سعی نکنید با وارد آوردن فشار جانبی چرخش متعلقات را متوقف کنید

استفاده

• سوار کردن متعلقات (۱)

! سیم برق را از برق جدا کنید/کشید
- شفت A و تمام قطعاتی را که می خواهید سوار کنید را تمیز کنید

• فلنج گیره B را با آچار C سفت کرده در ضمن اینکه ضامن شفت D را فشار می دهید

! ضامن قفل کننده شفت D را فقط زمانی که شفت A به توقف کامل رسیده است فشار دهید

• برای باز کردن متعلقات به ترتیب عکس عمل کنید

! سنگ های فرزابرش/برش در حین استفاده بسیار داغ می شوند؛ قبل از خنک شدن به آنها دست نزنید

! همیشه هنگام استفاده از متعلقات سنبنده زنی باید قابها را سوار کنید
! هرگز از سنگ های فرزابرش فاقد برچسب ("blotter") که باید روی آنها چسباندن شده باشد استفاده نکنید (در صورت ارائه شدن)

• سوار کردن دسته کمکی E (۱)

! سیم برق را از برق جدا کنید/کشید
- دسته کمکی E را در سمت راست، بالا یا چپ ابزار (بسته به کاری که می خواهید انجام دهید) پیچ کنید

• برداشتن/سوار کردن/تنظیم حفاظ F (۲)
! سیم برق را از برق جدا کنید/کشید
! مطمئن شوید که سمت بسته حفاظ همیشه به سمت اپراتور باشد

• پیش از استفاده از ابزار
! مطمئن شوید که متعلقات درست سوار شده و بخوبی سفت شده اند
• برای اطمینان از محکم بودن متعلقات سعی کنید آنها را با دست بچرخانید
• ابزار را در یک وضعیت مطمئن برای حداقل ۳۰ ثانیه در بالاترین دور بدون بار روشن کرده و آزمایش کنید

• در صورت احساس ارتعاشات قابل توجه یا اشکالات دیگر فوراً آنرا خاموش کرده و ابزار را برای یافتن دلیل بررسی کنید

• کلید ضامن روشن/خاموش H (۳)
! ابزار را روشن کنید (A)
• مراقب حرکت ضربه ای ناگهانی ابزار در موقع روشن شدن باشید
! ابزار باید پیش از اینکه متعلقات به قطعه کار برسد، به دور کامل خود رسیده باشد

• کلید ضامن (A)
! کلید رها کردن ضامن/خاموش کردن ابزار (C)
! ابزار را باید قبل از خاموش کردن از روی قطعه کاری برداشتن

! متعلقات برای مدت کوتاهی بعد از خاموش شدن ابزار به چرخش ادامه می دهند

• فرزکاری (۴)
! با وارد کردن فشار متعادل، ابزار را به عقب و جلو ببرید

! هرگز از سنگ برش برای فرزکاری جانبی استفاده نکنید

- پس زدن در نتیجه استفاده غلط و/یا بکارگیری نادرست ابزار برقی و یا در شرایطی روی می دهد که با رعایت توصیه های ایمنی زیر می توان از بروز آن جلوگیری کرد.
- (ا) ابزار برقی را محکم در دست گرفته و بدن و بازوی خود را طوری قرار دهید که بتوانید ضربات پس زدن ابزار را کنترل کنید. همیشه در صورت امکان از دسته های چکمی استفاده کنید تا بتوانید کنترل خود بر ابزار را در صورت پس زدن حفظ کرده و گشتاور ابزار را در زمان روشن شدن کنترل کنید. کاربر می تواند در صورت رعایت توصیه های ایمنی گشتاورهای واکنشی یا پس زدن را بخوبی کنترل کند.
- (ب) هرگز دست خود را به متعلقات در حال چرخش نزدیک نکنید. چون امکان دارد متعلقات در صورت پس زدن به دست شما برخورد کنند.
- (ت) بدن خود را از نقطه ای که ابزار در صورت پس زدن به آنجا حرکت خواهد کرد دور نگه دارید. پس زدن ابزار برقی باعث حرکت آن در جهت مخالف حرکت سنگ در نقطه گیر کردن خواهد شد.
- (ث) اگر بوری گوشه ها، لبه های تیز و مانند آنها کاری می کنید باید دقت مضاعف داشته باشید. از در رفتن و گیر کردن متعلقات جلوگیری کنید. امکان گیر کردن متعلقات دوار در گوشه ها و لبه های تیز بسیار زیاد است و می تواند کنترل شما را بر هم ریزد یا ابزار پس بزند.
- (ج) نباید روی این ابزار برقی اهر زنجیری چوب بری و یا تیغ اهر دندان ای نصب کنید. این تیغه اهر باعث پس زدن و از بین رفتن کنترل روی ابزار برقی می شوند.
- (۳) هشدارهای ایمنی برای سنگ زدن و برش
 - (ا) برای ابزار برقی خود فقط از سنگ های توصیه شده و محافظ های مخصوص آن استفاده کنید. اگر از سنگ های که برای ابزار برقی شما طراحی نشده اند استفاده کنید. محافظت کافی وجود نداشته و کار ایمن نخواهد بود.
 - (ب) سطح ساییده صافه سنگ های با مرکز فشرده باید زیر صفحه ای سوار شوند که لبه محافظ در آن قرار دارد. صفحه سنگی که نادرست سوار شده و از صفحه لبه محافظ بیرون بزند از محافظت کافی برخوردار نخواهد بود.
 - (ت) حفاظ باید محکم به ابزار برقی وصل شده و طوری تنظیم شود که حداکثر ایمنی وجود داشته باشد. تا کمترین میزان سنگ به سمت کاربر باز و بدون حفاظ مانده. یساعده الواقی علی حیاة البشغل من الأجزاء المكسورة من العجلة. ولاملامسة العجل والنشارة عن طریق الخطأ ما یؤدي إلی اشتعال اللابیس:
 - (ث) سنگ ها باید فقط برای کاربردهایی که توصیه شده است بکار برده شوند. بعنوان مثال: از سطح جانبی یک سنگ برش برای سنگ زدن استفاده نکنید. سنگ های برش برای سنگ زدن پیرامونی مناسب هستند؛ نیروهای جانبی وارده به این سنگ ها باعث شکستن آنها خواهد شد.
- (ج) همیشه فقط از فلنج های سنگ آسیب نپیده با اندازه و شکل مناسب برای سنگ انتخابی استفاده کنید. فلنج های سنگ مناسب خوبی سنگ را نگه داشته و احتمال شکستن سنگ را کاهش می دهند. فلنج های سنگ های برش ممکن است با فلنج های سنگ های فرز و سنگ زنی متفاوت باشند.
- (ح) از سنگ های مستعمل ابزارهای برقی بزرگ تر استفاده نکنید. سنگ های ابزارهای برقی بزرگ تر قادر به تحمل سرعت های چرخش بالای ابزارهای کوچک تر نیستند و امکان دارد بیشکنند.
- (۴) هشدارهای ایمنی تکمیلی برای برش زدن
 - (ا) سنگ برش نباید "گیر" کند و نباید فشار بیش از حد به آن وارد کرد. سعی کنید برش های خیلی عمیق ایجاد نکنید. فشار آوردن بیش از حد به سنگ، بار وارده را افزایش داده و احتمال گیر کردن یا تاب برداشتن سنگ در برش و پس زدن و شکستن سنگ را بالا می برد.
 - (ب) بدن خود را هم جهت و یا پشت سنگ در حال چرخش قرار ندهید. اگر سنگ در حال کار به دور از بدن شما حرکت می کند. احتمال دارد پس زدن باعث شود که سنگ در حال چرخش و خود ابزار مستقیماً به شما اصابت کنند.
 - (ت) اگر سنگ گیر کرده است و یا به هر دلیل برش را متوقف می کنید. ابزار برقی را خاموش کرده و برای بدون حرکت نگه دارید تا سنگ کاملاً متوقف شود. اگر سنگ برش هنوز حرکت می کند سعی کنید آنرا باز کنید چون پس خواهد زد. وضعیت کار را بررسی کرده و اقدامات لازم را برای رفع ریسک سنگ بعمل آورید.
 - (ث) برش را دوباره از داخل قطعه کار شروع نکنید. اجازه دهید سنگ ابتدا به دور حداکثر برسد و سپس آنرا با دقت وارد شیار برش کنید. اگر ابزار برقی را داخل قطعه کار روشن کنید امکان دارد سنگ گیر کند. بیرون بریده یا پس بزند.
 - (ج) صفحات و قطعه های کار با ابعاد بزرگ را ثابت کنید تا خطر پس زدن و گیر کردن سنگ به حداقل برسد. اگر ابزار در قطعات کار بزرگ به دلیل نبود تاب بردارند. به همین دلیل باید قطعه کار از هر دو طرف سنگ، یعنی در مجاورت خط برش و لبه قطعه، ثابت کرد.

- (ح) قسمت زره دور محل نصب متعلقات باید با زره های شفت فرز مطابقت داشته باشد. در مورد متعلقاتی که با فلنج نصب می شوند، سوراخ میانی متعلقات باید با قطر محل اتصال فلنج مطابقت داشته و در آن جا بیفتد. لوازم و متعلقاتی که کاملاً متناسب با شفت ابزار برقی نباشند. چرخش نامنظم داشته و دچار حرکات نوسانی شدیدی می شوند و این امر می تواند باعث از دست دادن کنترل شود.
- (خ) از لوازم و متعلقات آسیب دیده استفاده نکنید. پیش از هر بار استفاده از لوازم و متعلقات باید آنها را کنترل کنید. بعنوان مثال در مورد صفحات سنگ مطمئن شوید که ترک و یا پریدگی نداشته باشند. در مورد قابلهای سنگ به ترک ها و استهلاک دقت کرده، و برس های سیمی را برای یافتن سیم های شل یا شکسته بازدید کنید. در صورتی که ابزار برقی و یا متعلقات آن به زمین بیافتند، آسیب دیدگی احتمالی دستگاه را کنترل کرده و یا از لوازم و متعلقات سالم دیگری استفاده کنید. بعد از بازرسی و نصب لوازم و متعلقات، خود و سایر افراد نزدیک به ابزار برقی را از ابزار در حال چرخش دور نگاه داشته و بگذارید ابزار برقی به مدت یک دقیقه با آخرین دور ممکن در حالت بدون بار کار کند. اگر متعلقات آسیب دیده باشند معمولاً در این آزمایش خواهند شکست.
- (د) از لوازم و پوشش های محافظ شخصی استفاده کنید (۳). متناسب با نوع کار از محافظ صورت، محافظ چشم یا عینک ایمنی استفاده کنید. در صورت لزوم از ماسک دیدگی، گوشی ایمنی، دستکش و یا پیش بند کارگاهی مناسب که بتواند ذرات ریز و براده ها را از شما دور نگاه دارد استفاده کنید. محافظ چشمی باید بتواند چشم شما را در برابر جهش ذرات خارجی و براده که در هنگام کارهای مختلف ایجاد می شوند، محافظت کند. ماسک های ایمنی از غبار یا ماسک های تنفسی باید قادر به فیلتر کردن ذرات و گرد و غبار ناشی از کار باشند. قرار گرفتن طولانی مدت در معرض سر و صدای بلند می تواند به شنوایی شما آسیب بزند.
- (ذ) افرادی که کار می کنند باید فاصله خود را با محل کار شما حفظ کنند. هر فردی که وارد محل کار شما می شود، باید مجهز به تجهیزات ایمنی و پوشش محافظ شخصی باشد. امکان پرت شدن قطعات شکسته و جدا شده از قطعه کار و یا متعلقات شکسته حتی در خارج از محدوده کار وجود دارد و می تواند باعث جراحت شود.
- (ر) هنگام استفاده از ابزار در مواردی که امکان دارد متعلقات برش با سیم های پنهان شده یا سیم های خود ابزار تماس پیدا کنند. حتماً ابزار را از جای دست های مخصوص عایق شده بگیرید تماس متعلقات برش با سیم های "برق دار" می تواند در بخش های فلزی دستگاه نیز جریان "برق" تولید کرده و موجب شوک برقی استفاده کننده شود.
- (ز) سیم برش از دور از متعلقات در حال چرخش آن نگاه دارید. اگر کنترل خود را بر ابزار از دست بدهید، امکان دارد سیم بریده شده یا کشیده شود و دست یا بازوی شما به داخل بخش متحرک کشیده شود.
- (س) هرگز ابزار برقی را قبل از توقف کامل متعلقات آن کنار نگذارید. امکان تماس متعلقات در حال چرخش با سطحی که ابزار بر روی آن قرار دارد وجود داشته و منجر به از دست دادن کنترل شما بر ابزار برقی خواهد شد.
- (ش) هنگام حمل ابزار الکتریکی آنرا روشن نکنید. تماس اتفاقی با متعلقات در حال پرخش می تواند باعث سوختن لباس شما کشیده شده و متعلقات و ابزار به بدن شما اصابت کند.
- (ص) منافذ تهویه هوای ابزار برقی را بطور مرتب تمیز کنید. فن موتور گرد و غبار بیرون را به داخل محفظه ابزار می کشد و جمع شدن بیش از اندازه براده و ذرات فلز در آنجا باعث بروز مخاطرات برقی می شود.
- (ض) ابزار برقی را در مجاورت مواد قابل اشتعال بکار نبرید. جرقه ها می توانند باعث آتش گرفتن این مواد شوند.
- (ط) از متعلقاتی که نیاز به خنک کننده های مایع دارند استفاده نکنید. استفاده کردن از آب یا خنک کننده های مایع موجب برق گرفتگی خواهد شد.
- (۲) پس زدن ابزار و هشدارهای مربوطه
 - پس زدن ابزار یک واکنش ناگهانی است که در نتیجه گیر کردن و یا قفل شدن سنگ دوار قاب سنگ، برس یا دیگر متعلقات ایجاد می شود. گیر کردن یا قفل شدن باعث توقف ناگهانی متعلقات دوار شده و در نتیجه آن ابزار برقی از کنترل شما خارج می شود و در جهت عکس چرخش متعلقات آن را حرکت خواهد کرد.
 - بعنوان مثال، اگر سنگ در قطعه کار گیر کرده و یا قفل شود. امکان دارد سنگ در سنگ در نقطه گیر کردن وارد سطح فلز شده و سنگ بلند شده یا پس بزند. در این صورت بسته به جهت حرکت سنگ در نقطه گیر کردن امکان دارد سنگ به سمت کاربر یا در جهت مخالف پرتاب شود. ممکن است صفحات سنگ در این شرایط بشکنند.

ایمنی

راهنمای ایمنی عمومی

⚠ هشدار! همه دستورات ایمنی و راهنمایی‌ها را بخوانید. اشتباهات ناشی از عدم رعایت این دستورات ایمنی ممکن است باعث برق‌گرفتگی، سوختگی و یا سایر جراحات‌های شدید شود. همه هشدارهای ایمنی و راهنمایی‌ها را برای آینده خوب نگهداری کنید. هرچا در این راهنما از «ابزار الکتریکی» صحبت میشود، منظور ابزارهای الکتریکی (باسیم برق) و یا ابزارهای الکتریکی باتری دار (بدون سیم برق) می‌باشد.

1) ایمنی محل کار

1) محل کار خود را تمیز، مرتب و همچون به نور کافی نگهدارید. محیط کار نامرتب و کم نور میتواند باعث سوانح کاری شود.

2) با ابزار الکتریکی در محیط‌هایی که در آن خطر انفجار وجود داشته و حاوی مایعات، گازها و غبارهای محترقه باشد، کار نکنید. ابزارهای الکتریکی جرقه‌هایی ایجاد می‌کنند که می‌توانند باعث آتش گرفتن گرد و بخارهای موجود در هوا شوند.

3) هنگام کار با ابزار الکتریکی، کودکان و سایر افراد را از دستگاه دور نگهدارید. در صورتیکه حواس شما پرت شود، ممکن است کنترل دستگاه از دست شما خارج شود.

2) ایمنی الکتریکی

1) دوشاخه ابزار الکتریکی باید با پریز برق تناسب داشته باشد. هیچگونه تغییری در دوشاخه ندهید. مبدل دوشاخه نباید همراه با ابزار الکتریکی دارای اتصال به زمین (ارت شده) استفاده شود. مبدل دوشاخه نباید همراه با ابزار الکتریکی دارای اتصال به زمین (ارت شده) استفاده شود.

2) از تماس بدنی با قطعات دارای سیم اتصال به زمین (ارت شده) مانند لوله، شوفاژ، اجاق برقی و یخچال خود داری کنید. در صورتیکه بدن شما با سیم دارای اتصال به زمین (ارت شده) تماس پیدا کند، خطر برق‌گرفتگی بیشتر خواهد شد.

3) دستگاه را از باران و رطوبت دور نگهدارید. نفوذ آب به ابزار الکتریکی، خطر شوک الکتریکی را افزایش می‌دهد.

4) از سیم به درستی استفاده کنید. از سیم دستگاه برای کارهایی چون حمل ابزار الکتریکی، آویزان کردن آن و یا خارج کردن دوشاخه از برق استفاده نکنید. دستگاه را در مقابل حرارت، روغن، لبه‌های تیز و بخش‌های متحرک دستگاه دور نگهدارید. کابل‌های آسیب دیده و یا گره خورده خطر شوک الکتریکی را افزایش می‌دهند.

5) در صورتیکه با ابزار الکتریکی در محیط باز کار می‌کنید، تنها از کابل یا بطی برای اتصال کنید که برای محیط باز نیز مناسب باشد. کابل‌های رابط مناسب بر حسب محیط باز خطر برق‌گرفتگی را کم می‌کنند.

6) در صورت لزوم کار با ابزار الکتریکی در محیط و اماکن مرطوب، در اینصورت باید از یک کلبه حفاظتی جریان خطا و نشستی زمین (کلید قطع‌کننده اتصال با زمین) استفاده کنید. استفاده از کلید حفاظتی جریان خطا و نشستی زمین خطر برق‌گرفتگی را کمتر می‌کند.

3) رعایت ایمنی اشخاص

1) حواس خود را خوب جمع کنید. به کار خود دقت کنید و با فکر و هوش کامل کار با ابزار الکتریکی کار کنید. در صورت استفاده از ابزار الکتریکی، موبایل خود را خاموش کنید. در صورتیکه در حالت روشن به برق بزنید، ممکن است سوانح کاری پیش آید.

2) همواره از تجهیزات ایمنی شخصی استفاده کنید. همواره از عینک ایمنی استفاده کنید. استفاده از تجهیزات ایمنی مانند ماسک ایمنی، کفش‌های ایمنی ضد لغزش، کلاه ایمنی و گوشی ایمنی متناسب با نوع کار با ابزار الکتریکی، خطر مروج شدن را تقلیل می‌دهد.

3) مواظب باشید که ابزار الکتریکی بطور ناخواسته بکار نیفتد. قبل از وارد کردن دوشاخه دستگاه در پریز برق، اتصال آن به باطری، برداشتن آن و یا حمل ابزار الکتریکی، باید دقت کنید که ابزار الکتریکی خاموش باشد. در صورتیکه هنگام حمل دستگاه انگشت شما روی دکمه قطع و وصل باشد و یا دستگاه را در حالت روشن به برق بزنید، ممکن است سوانح کاری پیش آید.

4) قبل از روشن کردن ابزار الکتریکی، باید همه ابزارهای تنظیم‌کننده و آچارها را روی دستگاه بردارید. ابزارو آچارهایی که روی بخش‌های چرخنده دستگاه قرار دارند، می‌توانند باعث ایجاد جراحات شوند.

5) بیش از حد به آنها نزدیک نشوید. برای کار جای مطمئنی برای خود انتخاب کرده و تعادل خود را همواره حفظ کنید. به این ترتیب می‌توانید ابزار الکتریکی را در وضعیت‌های غیر منظره بهتر لخت کنترل داشته باشید.

6) لباس مناسب بپوشید. از پوشیدن لباس‌های فراخ و حمل زینت آلات خود داری کنید. موها، لباس و دستکش‌ها را از بخش‌های درحال چرخش دستگاه دور نگهدارید. لباس‌های فراخ، موهای بلند و زینت آلات ممکن است در قسمت‌های درحال چرخش دستگاه گیر کنند.

7) در صورتیکه می‌توانید وسایل مکش گرد و غبار و یا وسیله جذب زائده را به دستگاه نصب کنید. باید مطمئن شوید که این وسایل نصب و درست استفاده می‌شوند. استفاده از وسایل مکش گرد و غبار مصونیت شما را در برابر گرد و غبار زیاد تر می‌کند.

4) استفاده صحیح از ابزار الکتریکی و مراقبت از آن

1) از وارد کردن فشار زیاد روی دستگاه خود داری کنید. برای هر کاری، از ابزار الکتریکی مناسب با آن استفاده کنید. بکار گرفتن ابزار الکتریکی مناسب باعث می‌شود که بتوانید از توان دستگاه بهتر و با اطمینان بیشتر استفاده کنید.

2) در صورت ایراد در کلید قطع و وصل ابزار برقی، از دستگاه استفاده نکنید. ابزار الکتریکی که نمی‌توان آنها را قطع و وصل کرد، خطرناک بوده و باید تعمیر شوند.

3) قبل از تنظیم ابزار الکتریکی، تعویض متعلقات و یا کنار گذاشتن آن، دوشاخه را از برق کشیده و یا باطری آنرا خارج کنید. رعایت این اقدامات پیشگیری ایمنی از راه افتادن ناخواسته ابزار الکتریکی جلوگیری می‌کند.

4) ابزار الکتریکی را در صورت عدم استفاده، از دسترس کودکان دور نگهدارید. اجازه ندهید که افراد نا آوار و یا اشخاصی که این دفترچه راهنما را نخوانده اند، با این دستگاه کار کنند. فرار گرفتن ابزار الکتریکی در دست افراد ناوارد و بی تجربه خطرناک است.

5) از ابزار الکتریکی خوب مراقبت کنید. مواظب باشید که قسمت‌های متحرک دستگاه خوب کار کرده و گیر نکنند. همچنین دقت کنید که قطعات ابزار الکتریکی شکسته و یا آسیب دیده نباشند. قطعات آسیب دیده را قبل از شروع به کار تعمیر کنید. علت بسیاری از سوانح کاری، عدم مراقبت کامل از ابزارهای الکتریکی می‌باشد.

6) ابزار برش را نیز و تمیز نگهدارید. ابزار برشی که خوب مراقبت شده و از لبه‌های تیز برخوردارند، کمتر در قطعه کار گیر کرده و بهتر قابل هدایت می‌باشند.

7) ابزارهای الکتریکی، متعلقات، ابزاری که روی دستگاه نصب می‌شوند و غیره را مطابق دستورات این جزوه راهنما طوری به کار بگیرید که با مدل این دستگاه تناسب داشته باشند. همچنین به شرایط کاری و نوع کار توجه کنید. کاربرد ابزار برقی برای موارد کاری که برای آن در نظر گرفته نشده است، میتواند شرایط خطرناکی را منجر شود.

5) سرویس

1) برای تعمیر ایمنی الکتریکی فقط به متخصصین حرفه‌ای رجوع کرده و از وسایل یکدیگر اصل استفاده کنید. متعلقات، ابزاری که روی دستگاه نصب می‌شوند و غیره شما تضمین گردد.

هشدارهای ایمنی برای سنگ فرزهای زاویه ای

1) هشدارهای ایمنی عمومی

1) این ابزار برقی برای کار بعنوان سنگ فرز، ستاده زن، برس سیمی یا ابزار برش طراحی شده است. تمامی هشدارهای ایمنی، دستورالعملها، تصاویر و مشخصات ارائه شده همراه با این ابزار برقی را مطالعه کنید. در صورت عدم رعایت هشدارهای زیر خطر برق‌گرفتگی، آتش سوزی و/یا بروز جراحات‌های شدید وجود خواهد داشت.

2) این ابزار برقی برای پولیش کاری مناسب نیست. انجام کارهایی که ابزار برقی برای آنها طراحی نشده خطرناک بوده و می‌تواند به جراحات‌های شخصی منجر شود.

3) از متعلقاتی که بطور خاص توسط سازنده ابزار طراحی و یا توصیه نشده اند استفاده نکنید. فقط صرف اینکه می‌توان متعلقات را به ابزار برقی وصل کرد، کارکرد ایمن آنرا تضمین نمی‌کند.

4) سرعت چرخش نامی متعلقات باید حداقل برابر حداکثر سرعت چرخش درج شده روی ابزار برقی باشد. متعلقات در صورت کار با سرعتی بالاتر از سرعت چرخش نامی خود خواهند شکست.

5) قطر بیرونی و ضخامت متعلقات باید در محدوده ظرفیت ابزار برقی شما باشد. اگر اندازه متعلقات نامناسب باشد امکان کنترل یا حفاظت آنها در کار وجود نخواهد داشت.

إعلان توافق CE

- نحن نقر على مسؤوليتنا الخاصة أن المنتج الموضح في «البيانات الفنية» يتوافق مع المعايير أو المستندات المعيارية التالية EN 10745 : EN 11000 و EN 50014 بالتوافق مع شروط التوجيهات AEC/110745 و EC/2007/15 و EU/110745 : الملف الفني على SKIL Europe BV (PT-SEU/ENG)1, 4825 BD Breda, NL

Marijn van der Hoofden Olaf Dijkgraaf
Operations & Engineering Approval Manager

SKIL Europe BV, 4825 BD Breda, NL

05.08.2013

الضوضاء الاهتزاز

- عند القياس بالتوافق مع EN 10745 يكون مستوى ضغط صوت هذه الأداة هو ٩٠ ديسيبل (أ) ومستوى طاقة الصوت ١٠١ ديسيبل (أ) (الانحراف المعياري ٣ : ديسيبل). والاهتزاز * (طريقة اهتزاز البد: K غير مؤكد ١,٥ = م/ث٢)!
- * أثناء جليخ السطح ٨,١ م/ث٢
- * أثناء الصنفرة ١,٢ م/ث٢
- ! قد يكون للاستخدامات الأخرى (مثل القطع أو الفك بفرشاة سلكية) قيم اهتزاز مختلفة:
- تم قياس مستوى الاهتزازات بالتوافق مع الاختبار المعياري المحدد في EN 10745. يمكن استخدامه لمقارنة أداة بأداة أخرى وكتقييم تمهيدي للتعرض للاهتزاز عند استخدام الأداة في التطبيقات الموضحة:
- قد يؤدي استخدام الأداة في تطبيقات مختلفة أو مع ملحقات مختلفة أو ذات صيانة رديئة إلى زيادة مستوى التعرض بصورة كبيرة:
- إن الفترة الزمنية التي يتم خلالها إيقاف تشغيل الأداة أو عندما تكون قيد التشغيل لكنها لا تؤدي أية مهام، تؤدي إلى تقليل مستوى التعرض بصورة كبيرة:
- ! قم بحماية نفسك من تأثيرات الاهتزاز من خلال صيانة الأداة وملحقاتها. والحفاظ على يديك وداثنتين وتنظيم أوضاع العمل لديك:

FA

٩١٧٦

سنگ فرز زاویه ای

مقدمه

- این ابزار برای فرزکاری، برش و پلیسه برداری از فلزات از مواد سنگی بدون استفاده از آب طراحی شده است؛ این ابزار در صورت استفاده از متعلقات مناسب برای سیم و سنباده زدن نیز کاربرد دارد
- این ابزار برای مصارف حرفه ای مناسب نیست
- برش زنی با سنگ های برش فقط در صورت استفاده از محافظ برش (بصورت لوازم جانبی اختیاری SKIL با شماره قطعه ٢١١٠٣٩٩٤٣٩ ارائه می شود) مجاز است
- لطفاً این دفترچه راهنما را مطالعه کرده و نگهدارید (٢)

اطلاعات فنی ①

اجزای ابزار ②

- A شفت
- B فلنچ گیره
- C آچار
- D ضامن قفل کننده شفت
- E دسته کمکی
- F محافظ
- G فلنچ نصب
- H کلید ضامن روشن/خاموش
- J شیارهای تهویه

مفتاح تأمین التشغيل الإيقاف H (A)

- قم بتشغيل الأداة (A)
- انتبه جيداً للصدمة المفاجئة عند تشغيل الأداة:
- قبل ملاسة المحق لقطععة العمل، يجب أن تعمل الأداة بسرعتها الكاملة:
- قم بتأمين المفتاح (A)
- قم بإلغاء تأمين المفتاح/إيقاف تشغيل الأداة (A)
- قبل إيقاف تشغيل الأداة، يجب أن ترفعها عن قطعة العمل:
- يستمر المحق في الدوران لمدة قصيرة بعد إيقاف تشغيل الأداة:
- التجليخ (٩)
- قم بتحريك الأداة للأمام وللخلف بالضغط برفق:
- ! لا تقم مطلقاً باستخدام قرص القطع للقيام بالتجليخ الجانبي:
- القطع (١٠)
- لا تقم بإمالة الأداة أثناء القطع:
- قم دائماً بتحريك الأداة في نفس اتجاه السهم الموضح على رأس الأداة. لمنع دفع الأداة خارج القطع على نحو لا يمكن السيطرة عليه:
- جنب الضغط المفرط عند استخدام الأداة، ودع سرعة قرص القطع تقوم بالعمل:
- تعتمد سرعة عمل قرص القطع على المادة التي سيتم قطعها:
- لا تقم بإيقاف أقراص القطع باستخدام ضغط جانبي:
- إمسك الأداة وتوجيهها
- أحكم دائماً الإمساك بالأداة بكلتا يديك وبالتالي سيمتلك التحكم في الأداة طوال الوقت بشكل تام:
- ! أثناء العمل، امسك الأداة دائماً من منطقة (مناطق) المقبض رمادية اللون (١١):
- اتخذ مسافة أمان:
- انتبه لآجاء التدوير؛ قم دائماً بالإمساك بالأداة بحيث يتطابق الشرر والغبار الناتج عن التجليخ/القطع بعيداً عن الجسم:
- احرص على أن تكون فتحات التهوية ل (١٢) غير مغطاة:

توصيات الاستخدام

- بدلاً من الشنفة B (١) يمكن استخدام الشنفة سريعة التثبيت «CLIC» ملحق اختياري من SKIL رقم (٢١١٠٣٨٧٦١)؛ بعد ذلك يمكن تركيب أقراص التجليخ/القطع بدون استخدام المفاتيح الملحقة:
- لمزيد من النصائح زر موقعنا www.skil.com

الصيانة / الخدمة

- لم يتم تصميم هذه الأداة للاستخدام الاحترافي:
- احرص دائماً على نظافة الأداة والسلك (وخصوصاً فتحات التهوية ل (١)):
- ! لا تحاول تنظيف فتحات التهوية عن طريق إدخال أجسام مسننة من خلال الفتحات:
- ! أفضل القابض قبل التنظيف
- إذا تعذر تشغيل الأداة على الرغم من الحذر الشديد في إجراءات التصنيع والاختبار، فيجب القيام بالإصلاحات بواسطة مركز خدمة ما بعد البيع لأدوات الطاقة التابع لشركة SKIL:
- قم بإرسال الأداة دون تفكيكها بالإضافة إلى إثبات الشراء إلى البائع أو أقرب محطة خدمة (SKIL) العنوانين بالإضافة إلى مخطط الخدمة متاح على www.skil.com

البيئة المحيطة

- لا تتخلص من الأدوات الكهربائية والملحقات ومواد التشغيل مع النفايات المنزلية (لدول الاتحاد الأوروبي فقط):
- وفقاً للتوجيه الأوروبي ٢٠٠٢/٩٦/EC حول نفايات المعدات الكهربائية والإلكترونية وتطبيقه بالتوافق مع القانون المحلي، يجب جمع الأدوات الكهربائية منتهية الصلاحية بشكل منفصل وإرسالها إلى أحد منشآت إعادة التصنيع المتوافقة مع البيئة:
- سبذكرك الرمز (١٣) بهذا عند الحاجة إلى التخلص من أية أداة:

- ت) اطفي العدة الكهربائية في حال استعصاء قرص القطع أو انقطاع عن التشغيل وإمسكها بهدوء إلى أن يتوقف . لا تحاول سحب القرص الدوار إلى خارج المقطع أبداً فقد تنتج عن ذلك صدمة ارتدادية. ابحث عن سبب التكبب واعمل على إزالته.
- ث) لا تحاول تشغيل العدة الكهربائية ما دامت غاطسة في قطعة التشغيل. اسمح لقرص القطع أن يتوصل إلى عدد دورانه الكامل قبل أن تتابع بإجراء عملية القطع باحتراس. وإلا فقد يتكبل القرص. فيفقر إلى خارج قطعة التشغيل أو قد يسبب صدمة ارتدادية.
- ج) اسند الصنائح أو قطع التشغيل الكبيرة لكي تقلل خطر الصدمات الارتدادية الناتجة عن قرص قطع مستعص. قد تنحني قطع التشغيل الكبيرة من جراء وزنها الذاتي. يجب أن تسند قطعة التشغيل من الطرفين وأيضا على مقربة من مكان القطع ومن الحافة.
- ح) احترس بشكل خاص عند إجراء "الطعوج الجيبية" في الجدران القديمة أو غيرها من الهياكل الخرسانية الرطبة. قد يؤدي قرص القطع الغاطس إلى حصول صدمة ارتدادية عند قطع خطوط الغاز أو الماء أو الكهرباء أو غيرها من الأغراض.
- د) تعليمات خذير خاصة للتجليخ بورق الصنفرة
- أ) لا تستعمل أوراق الصنفرة الكبيرة جدا بل اتبع تعليمات المنتج بما يخص حجم ورق الصنفرة. بل اتبع تعليمات المنتج بما يخص حجم ورق الصنفرة. قد تؤدي أوراق الصنفرة التي تنبذ عن صحن التجليخ إلى حدوث الإصابات وأيضا إلى الاستعصاء أو إلى مرق ورق الصنفرة أو إلى حدوث الصدمات الارتدادية.
- ب) تعليمات خذير خاصة للتشغيل بواسطة الفرش المعدنية
- أ) انتبه إلى أن الفرش المعدنية تفقد القطع المعدنية حتى أثناء الاستعمال الاعتيادي. لا تزيد العبن على أسلاك الفرشاة المعدنية من خلال زيادة ضغط الارتكاز عليها. قد تنغرز الأسلاك المتطيرة بالثياب الرقيقة وأوال باليسرة بسهولة شديدة.
- ب) إن كان من النصح استخدام غطاء للوقاية، فامنعه من ملامسة الفرشاة المعدنية. قد يكبر قطر الفرش الطبقية والفدحية من خلال ضغط الارتكاز عليها ومن خلال قوى الطرد المركزية.

معلومات عامة

- هذه الأداة غير مناسبة للتجليخ/القطع الرطب
- استخدم الفلنجات التي ترد مع هذه الأداة فقط
- لا يجب استخدام هذه الأداة من قبل الأشخاص الأقل من 16 عام.
- احرص دائما على فصل القابض من مصدر الطاقة قبل القيام بأية عمليات ضبط أو تغيير أية ملحقات:

الملحقات

- تضمن SKIL التشغيل السليم للأداة فقط عند استخدام الملحقات الأصلية:
- استخدم فقط عجلات جليخ الأصلية بحد أقصى للسلك 8 م وقطر فتحة عمود الدوران 22 مم.
- تركيب/استخدام ملحقات من إنتاج شركات أخرى بخلاف SKIL يجب الانتباه جيدا إلى تعليمات الشركة المنتجة:
- لا تقم مطلقاً باستخدام مصغرات أو مهايئات تركيب أقراص جليخ/قطع بفنجات كبيرة:
- لا تستخدم ملحقات مع ثقب ملولب "غير نافذ" أصغر من 11 x 11 مليمتر الاستخدام في مناطق مفتوحة
- قم بتوصيل الأداة عبر قاطع تيار (FI) دائرة القصر باستخدام تيار بدء التشغيل مقداره 30 مللي أمبير بحد أقصى:

قبل الاستخدام

- قبل استخدام الأداة لأول مرة، يوصى بالحصول على المعلومات العملية:
- تأكد دائماً من أن الفولت الزود هو نفسه المشار اليه على اللوحة الخاصة بالأداة (يكن كذلك توصيل الأدوات ذات التصنيف 230 فولت أو 240 فولت بمصدر إمداد 220 فولت):
- قم دائماً بتركيب مقبض مساعد E ① وحاجز وافي F ②، ولا تقم مطلقاً باستخدام الأداة بدونهما:
- استخدم كاشفات ملائمة للعثور على خط المرافق أو اطلب شركة المرافق المحلية للحصول على مساعدة (التلامس مع خطوط إمداد الكهرباء قد يؤدي إلى حدوث حريق أو صدمة كهربائية، وتلف خط الغاز قد يؤدي إلى حدوث انفجار؛ واختراق الجيب المياه سيُسبب في حدوث ضرر في الممتلكات أو صدمة كهربائية)؛
- لا تعمل باستخدام مواد تشتمل على الألبستوس (يعتبر الألبستوس مادة مسرطنة):

- الغبار الناتج من المواد كالتلاص الذي يحتوي على رصاص وبعض أنواع الأخشاب والعيان والكومات المعدنية قد يكون ضاراً (ملازمة أو استنشاق الغبار قد تتسبب في إصابة المشغل أو من يجاوره بأمراض الحساسية وأو أمراض الجهاز التنفسي)، قم بارتداء قناع للغبار مع العمل باستخدام جهاز شفط للغبار. طالما أمكن توصيله
- ثمة أنواع معينة من الغبار تُصنّف على أنها مواد مسيئة للسرطان (مثل غبار خشب البوط والزان) خاصة عند استخدامها مع مواد مضافة لعلاج الخشب؛ قم بارتداء قناع للغبار مع العمل باستخدام جهاز شفط للغبار. طالما أمكن توصيله
- الزم بالتهطبات الوطنية الخاصة بالغبار عند العمل باستخدام المواد المطلوبة كمن حذرًا عند قطع التلمات. خاصة في جدران الدعم (عادة ما تخضع الفنحات في جدران الدعم للقوانين الخاصة بكل دولة، يجب العمل وفقاً لهذه القوانين في جميع الحالات)؛
- ثبت قطعة العمل (الإسكاط بقطعة عمل مثبتة بأجهزة تثبيت أو في ملزمة أكثر أمثاً من مسكها باليد)؛
- لا تثبت الأداة في ملزمة:
- استخدم أسلاك تمديد مفكوكة تماماً وأمنة سعة 11 أمبير (13 أمبير في بريطانيا العظمى)
- أثناء الاستخدام
- في حالة تعرض السلك للتلف أو لقطع أثناء العمل، لا تلمس السلك وافصل القابض فوراً
- يحظر نهائياً استخدام الأداة في حالة تلف السلك. بل قم باستبداله من قبل أحد الأفراد المؤهلين
- في حالة حدوث خلل كهربائي أو ميكانيكي أوقف تشغيل الأداة فوراً وافصل القابض؛
- في حالة انقطاع التيار أو عند سحب القابض عن غير قصد، فقم بإلغاء تأمين مفتاح التشغيل/الإيقاف H ① في الحال للحماية من بدء التشغيل على نحو لا يمكن السيطرة عليه؛

بعد الاستخدام

- بعد إيقاف تشغيل الأداة، امتنع نهائياً عن إيقاف دوران الملحق باستخدام قوة جانبية تعرضه؛

الاستخدام

- تركيب الملحقات ①
- أفضل القابض: !
- نظّف عمود الدوران A وجميع الأجزاء التي سينتم تركيبها؛
- أحكم ربط عرقفة التثبيت B باستخدام مفتاح الربط C مع الضغط على زر قفل عمود الدوران D
- ! لا تضغط على زر قفل عمود الدوران D إلا عند توقف العمود A عن الحركة بشكل تام؛
- لفك الملحقات قم بإجراء نفس الخطوات بعكس الترتيب السابق؛
- ! تصبب أقراص التجليخ/القطع ساخنة للغاية أثناء الاستخدام؛ لا تقم بلامستها حتى تبرد تماماً؛
- ! يحظر دائماً بتركيب وسادة دعم عند استخدام ملحقات الصنفرة؛
- ! يحظر نهائياً استخدام قرص جليخ/قطع بدون ("تشاف") المصنق الذي يتم لصقه عليه (أو توفري)؛
- تركيب المقبض المساعد E ①
- أفضل القابض: !
- اربط المقبض المساعد E بالجهة اليمنى أو اليسرى بالجزء العلوي من الأداة (تبعاً للعمل الذي ستقوم به)؛
- فك/تركيب/ضبط الحاجز الواقي F ②
- أفضل القابض: !
- ! تأكد أن الجانب المغلق من الحاجز الواقي دائماً ما يواجه المشغل؛
- قبل استخدام الأداة
- تأكد من تركيب الملحق بشكل صحيح ومن إحكام تثبيته؛
- تحقق من سير الملحق بحرية عن طريق إدارته يدوياً؛
- قم باختبار تشغيل الأداة لمدة 30 ثانية في الوضع الآمن على أعلى سرعة للأداة بدون حمل.
- توقف فوراً في حالة حدوث اهتزاز ملحوظ أو أي أعطال أخرى. وافحص الأداة لتحديد السبب؛

- (ا) تستعمل هذه العدة الكهربائية كجلاخة وكجلاخة بوق الصنفرة وكفرشاة معدنية وكآلة صقل وقطع. ينبغي مراعاة جميع ملاحظات التحذير والتعليمات والرسوم والمعلومات التي تستلمها مع العدة الكهربائية إن لم تراع التعليمات التالية. فقد يؤدي ذلك إلى حدوث الصدمات الكهربائية واندلاع النار وأو إلى حدوث الإصابات الخطيرة.
- (ب) لا تصلح هذه العدة الكهربائية لإجراء أعمال الصقل. إن الاستعمالات التي لم تخصص لأطرها العدة الكهربائية قد تؤدي إلى المخاطر والإصابات.
- (ت) لا تستعمل التوايح التي لم يصدر باستعمالها ولم يخصصها المنتج لهذه العدة الكهربائية بالذات. إن مجرد إمكانية تثبيت التوايح بالعدة الكهربائية لا تكفل إمكانية الاستعمال بأمان.
- (ث) يجب أن تتوافق قيمة عدد دوران عدة الشغل المسموح به على الأقل قيمة عدد الدوران الأقصى المذكور على العدة الكهربائية. إن التوايح التي تدور بسرعة تزيد عن السرعة المسموحة، قد تنكسر وتنتظر.
- (ج) يجب أن يتوافق كلا من قطر وخن عدد الشغل مع قيم القياسات بالعدة الكهربائية. لا يمكن التحكم بعدد الشغل ذات الفاسات الحاطنة أو الانتزاع منها بشكل كاف.
- (ح) يجب أن يتطابق التركيب المسنن للملحقات مع سن لولب عمود دوران أداة الجلاخ، للملحقات المركبة بواسطة المفصلات، يجب أن تتناسب فتحة محول الملحق مع قطر تركيب المفصلة. تستعمل الملحقات التي لا تلازم جهاز تركيب الأداة الكهربائية على نحو غير متوازن وستهتز بشكل مفرط وقد تسبب فقدان التحكم.
- (خ) لا تستخدم عدد الشغل التالية. تفحص عدد الشغل قبل كل استعمال. كأقراص التخليخ على التمشق والشطايا. أطباق التخليخ على التمشق والتصعود أو شدة الاستهلاك، والفرش المعدنية على وجود الأسلاك السائبة أو المكسرة. إن سقطت العدة الكهربائية أو عدة الشغل على الأرض، فتفحص إن كانت قد أصيبت بخلل أو استخدمت عدد شغل غير نالفة. إن عُكمت بعدد الشغل وركبتها، حافظ على إبهائك وغيرك من الأشخاص على بعد عن مستوى عدد الشغل الدوارة وشغل العدة الكهربائية بعدد الدوران الأقصى لمدة دقيقة واحدة إن عدد الشغل التالية غالباً ما تنكسر خلال هذه المدة التجريبية.
- (د) ارتد عناء وقيامة شخصي (٤). استخدم حسب الاستعمال وقيامة كاملة للوجه، وواقية للعينين أو نظارات واقية. ارتد عند الضرورة قناع للوقاية من الغبار وواقية سمع وقمازات واقية أو مربول خاص يبعد عنك جسيمات التخليخ والمواد الدقيقة. ينبغي وقاية العينين من الجسيمات الغريبة المنطارية التي تنتج عن الاستعمالات المختلفة. يجب أن تقوم الأفعنة الواقية للنفس والواقية من الغبار بترشيق الأغبرة الناتجة عن الاستخدام. قد تصاب بفقدان السمع إن تعرضت لصيخ عال لفترة طويلة.
- (ذ) انتبه إلى ابتعاد الآخرين عن مجال عملك مسافة أمنة.. ينبغي أن يرتدي كل من يطير مجال العمل عناء وقيامة شخصي. قد تنتظر أجزاء من قطعة الشغل أو عدد الشغل المكسورة لتسبب الإصابات حتى خارج مجال العمل المباشر.
- (ر) امسك بالأداة الكهربائية بواسطة سطح إمساك معزولة وذلك عند القيام بأعمال قد تعرض ملحقات القطع من خلالها إلى التلامس مع أسلاك غير ظاهرة أو مع الأسلاك الحاض بها. تلامس ملحقات القطع مع سلك «متصل بالكهرباء» سيؤدي إلى «وصول التيار الكهربائي» إلى الأجزاء المعدنية المكشوفة وقد يعرض المشغل لصدمة كهربائية.
- (ز) حافظ على إبعاد كابل الشبكة الكهربائية عن عدد الشغل الدوارة. إن فقدت السيطرة على الجهاز فقد يقطع أو يتكبل كابل الشبكة الكهربائية وقد تسحب يدك أو ذراعك إلى عدة الشغل الدوارة.
- (س) لا تترك العدة الكهربائية أبداً قبل أن تتوقف عدة الشغل عن الحركة تماماً. قد تلامس عدة الشغل مع سطح التركيب ما قد يؤدي إلى فقدان التحكم بالعدة الكهربائية.
- (ش) لا تترك العدة الكهربائية قيد الحركة أثناء حملها. قد تتكبل إبهائك عند ملامسة عدة الشغل بشكل غير مقصود وقد تنزغ عدة الشغل في جسدك.
- (ص) نظف شقوق التهوية بعدتك الكهربائية بشكل منتظم. إن متفاح الحرك يسحب الغبار إلى داخل الهيكل، وتراكم الأغبرة المعدنية الشديد قد يشكل المخاطر الكهربائية.
- (ض) لا تستخدم العدة الكهربائية على مقربة من المواد القابلة للاحتراق. قد يؤدي الشرر إلى اشتعال هذه المواد.
- (ط) لا تستخدم عدد الشغل التي تتطلب مواد التبريد السائلة. قد يؤدي استعمال الماء أو غيرها من مواد التبريد السائلة إلى حدوث الصدمات الكهربائية.

(٢) الصدمات الارتدادية وتعليمات التحذير المتعلقة بها

- الصدمات الارتدادية هي عبارة عن رد الفعل الفجائي على أثر عدة الشغل الدوارة المتكبلية أو المستعصية. كقرص التخليخ وصحن التخليخ والفرشاة المعدنية وإلخ. يؤدي التكلب أو الاستعصاء إلى توقف عدة الشغل الدوارة بشكل مفاجئ ويتم بذلك تنساع العدة الكهربائية التي فقدت التحكم بها بعكس اتجاه دوران عدة الشغل عند مكان الاستعصاء.
 - إن استعصى أو تكبل قرص التخليخ مثلاً في قطعة الشغل، فقد تنضبط حافة قرص التخليخ التي غطست في مادة الشغل ما يؤدي إلى انحراف قرص التخليخ أو إلى حدوث صدمة ارتدادية يتحرك قرص التخليخ عندهما إما نحو المستخدم أو مبتعداً عنه حسب اتجاه دوران القرص عند مكان الاستعصاء. قد تنكسر أقراص التخليخ أيضاً أثناء ذلك.
 - إن الصدمة الارتدادية هي نتيجة لاستخدام العدة الكهربائية بشكل خاطئ؛ أو غير صحيح، ويمكن تجنبها من خلال إجراءات الاحتياط الملائمة اللاحقة الذكر.
- (ا) اقبض على العدة الكهربائية بإحكام وركز جسدك وذراعيك بوضع يسمح لك بقصد قوى الصدمات الارتدادية. استخدم القبض الإضافي دائماً إن وجد للتوصل إلى أكبر عُكَم يمكن بقصد القوى الارتدادية أو عزوم رد الفعل أثناء ارتفاع عدد الدوران. يمكن للمستخدم أن يسيطر على قوى الصدمات الارتدادية وعزوم رد الفعل من خلال إجراءات الاحتياط المناسبة.
- (ب) لا تقرب يديك من عدة الشغل الدوارة أبداً. قد تنكسر عدة الشغل عبر يدك عند حدوث صدمة ارتدادية.
- (ت) تجنب بجسكك المجال الذي ستتحرك به العدة الكهربائية عند حدوث صدمة ارتدادية. جرك الصدمة الارتدادية العدة الكهربائية بعكس اتجاه حركة قرص التخليخ عند مكان الاستعصاء.
- (ث) اشفط باحتراس خاص في مجال الزوايا والحواف الحادة وإلخ تجنب ارتداد عدد الشغل عن قطعة الشغل واستعصائها. ترجع عدة الشغل الدوارة إلى التكلب عند الزوايا والحواف الحادة أو عندما ترتد. ويؤدي ذلك إلى فقدان التحكم، أو إلى الصدمات الارتدادية.
- (ج) لا تستخدم نصال المنشار الجزيرية أو النصال المسننة. إن عدد الشغل هذه غالباً ما تؤدي إلى الصدمات الارتدادية أو إلى فقدان السيطرة على العدة الكهربائية.

(٣) تعليمات أمان خاصة للتخليخ والقطع

- (ا) استخدم فقط أقراص التخليخ المخصصة للعدة الكهربائية هذه فقط غطاء الوقاية المخصص لأقراص التخليخ هذه. لا يمكن حجب أقراص التخليخ التي لم تخصص لهذه العدة الكهربائية بالذات بشكل كاف. فهي غير آمنة.
- (ب) يجب تركيب سطح التخليخ للعجلات المركزية المضغوطة أسفل سطح شفة الواقي؛ لا يمكن توفير الحماية الكافية للعجلة المركبة بشكل غير صحيح والتي تبرز من سطح شفة الواقي.
- (ت) ينبغي أن يتم تركيب غطاء الوقاية على العدة الكهربائية بشكل آمن وأن يضيظ بحيث يتم التوصل إلى أعلى درجة أمان ممكنة. أي أن أصغر جزء ممكن من قرص التخليخ المكشوف يدل نحو المستخدم. يساعد الواقي على حماية المشغل من الأجزاء المكسورة من العجلة، وملامسة العجل والشرارة عن طريق الخطأ ما يؤدي إلى اشتعال الملابس.
- (ث) يجوز استخدام أقراص التخليخ فقط لأعمال الشغل المخصصة لها. مثلاً: لا تغم بالتخليخ وبواسطة السطح الجانبى لقرص القطع أبداً. إن أقراص القطع مخصصة لإزاحة المادة بواسطة حافة القرص؛ قد يؤدي تأثير القوى على هذه الأقراص من الجانب إلى كسرها.
- (ج) استخدم مع قرص التخليخ الذي تختاره دائماً شفات سليمة وبالمقاس والشكل الصحيحين. إن شفات الشد الملائمة تسند قرص التخليخ وتقلل بذلك خطر كسر قرص التخليخ. قد تختلف شفات أقراص القطع عن شفات أقراص التخليخ الأخرى.
- (ح) لا تستخدم أقراص التخليخ المستهلكة من العدد الكهربائية الكبيرة. إن أقراص التخليخ الخاصة بالعدد الكهربائية الكبيرة غير مخصصة لأعداد الدوران العالية بالعدد الكهربائية الصغيرة وقد تنكسر.
- (د) تعليمات تحذير إضافية خاصة للقطع
- (ا) تجنب استعصاء قرص القطع أو فرط ضغط الارتكاز؛ لا تقوم بقطع المقاطع الشديدة العمق. إن فرط خميل قرص القطع يزيد استهلاكه واحتمال التكلب أو الاستعصاء وبالتالي حدوث الصدمات الارتدادية أو كسر القرص.
- (ب) تجنب المجال التواجد أمام وخلف قرص القطع الدوار. إن حركت قرص القطع في قطعة الشغل مبعداً إياه عن جسدك، فقد يتم ففد العدة الكهربائية مع القرص الدوار عليك مباشرة في حال حدوث صدمة ارتدادية.

مقدمة

- هذه الأداة مصممة لقطع وإزالة الحواف الخشنة من المواد المعدنية والحجرية بدون استخدام الماء؛ ومع توفير المحطات اللامنة يمكن استخدام الأداة كذلك للفرك بالفرشاة والصنفرة.
- لم يتم تصميم هذه الأداة للاستخدام الاحترافي؛
- لا يُسمح بالقيام بعمليات القطع باستخدام عجلات قطع كاشطة إلا عند استخدام واقي القطع (متاح كملحق اختياري من SKIL رقم ٢١١٠٣٩٤٣٩)
- اقرأ دليل التعليمات هنا واحتفظ به ٣

البيانات الفنية ①

مكونات الأداة ②

- A عمود دوران
- B عرقلة تثبيت
- C مفتاح ربط
- D قفل مغزلي
- E مقبض مساعد
- F حاجز واقي
- G شفة تركيب
- H مفتاح تأمين التشغيل/الإيقاف
- J فتحات التهوية

أمان

تعليمات السلامة العامة

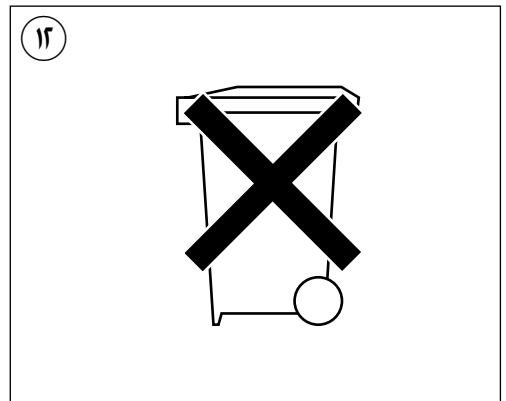
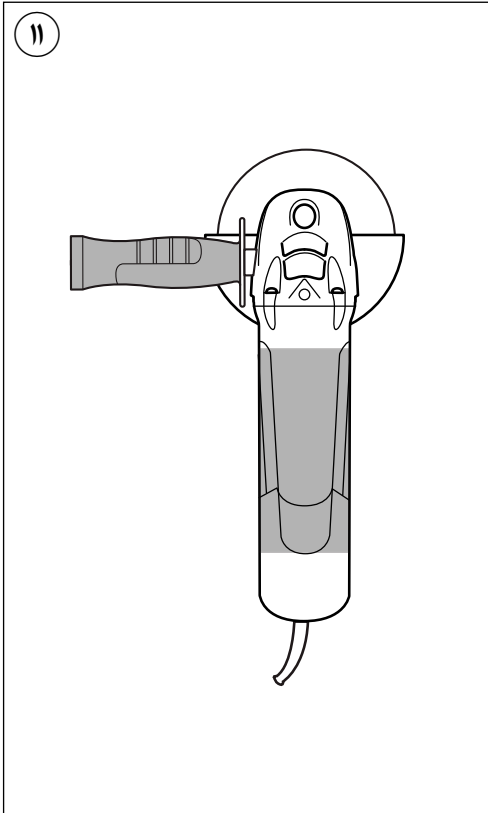
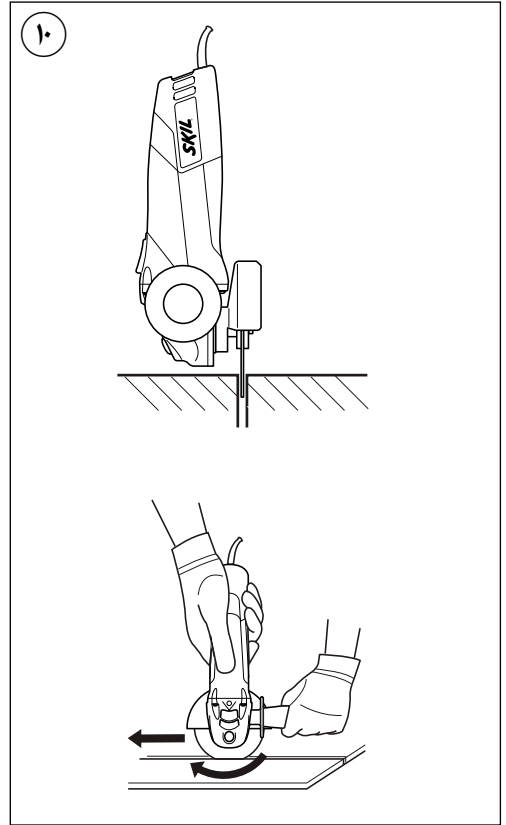
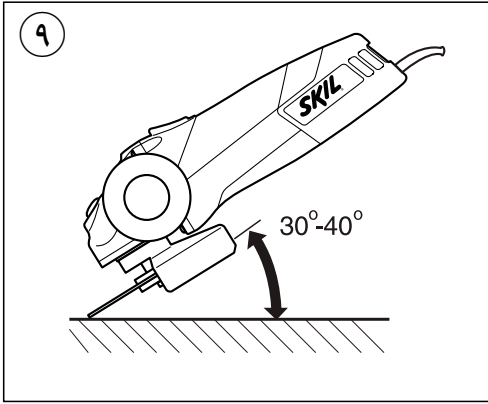
⚠ تحذير! اقرأ جميع الملاحظات التحذيرية والتعليمات إن ارتكبت الأخطاء عند تطبيق الملاحظات التحذيرية والتعليمات قد يؤدي إلى الصدمات الكهربائية، إلى نشوب الحرائق أو/أو الإصابة بجروح خطيرة. احتفظ بجميع الملاحظات التحذيرية والتعليمات للمستقبل. يقصد بمصطلح «العدة الكهربائية» المستخدم في الملاحظات التحذيرية، العدة الكهربائية الموصولة بالشبكة الكهربائية (بواسطة كابل الشبكة الكهربائية) وأيضاً العدة الكهربائية الزودة بطارية (دون كابل الشبكة الكهربائية).

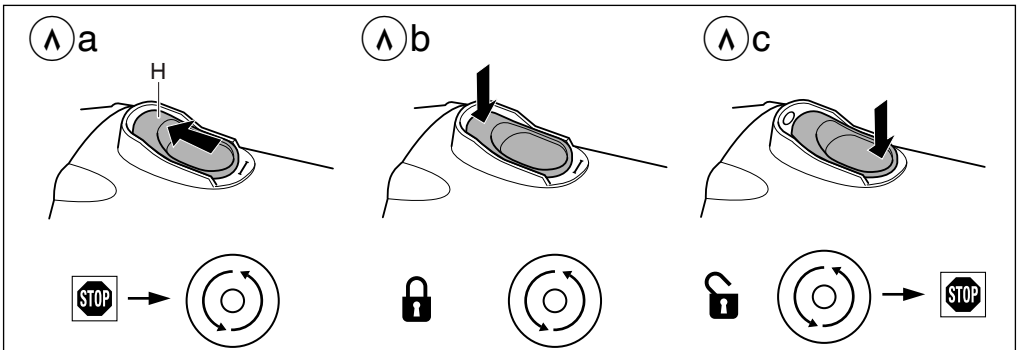
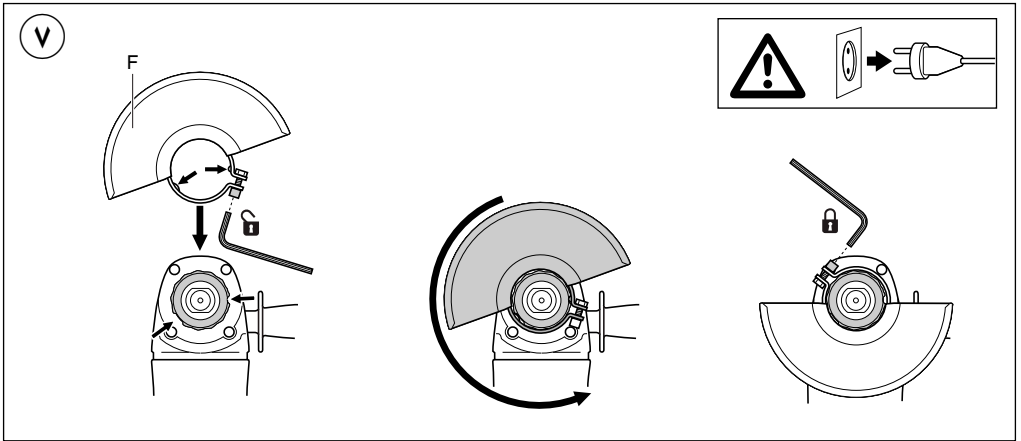
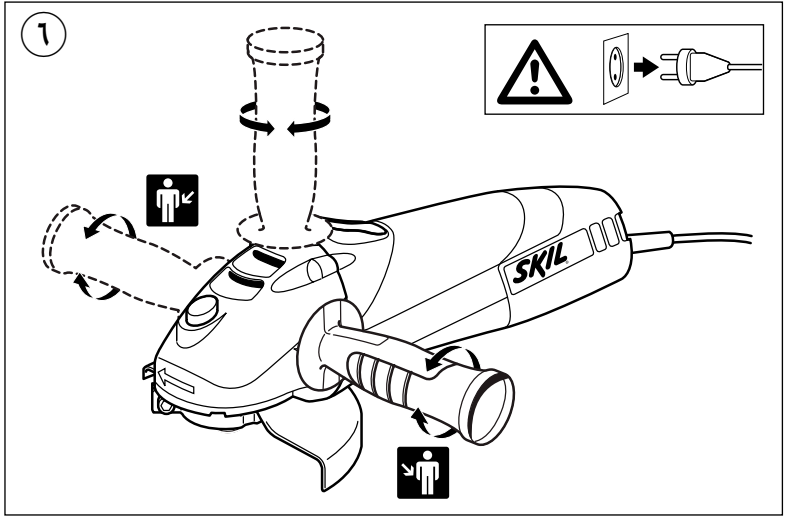
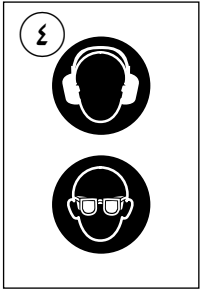
① الأمان مكان الشغل

- ① حافظ على نظافة وحسن إضاءة مكان شغلك الفوضي في مكان الشغل ومجالات العمل الغير مضادة قد تؤدي إلى حدوث الحوادث.
- ② لا تشغل بالعدة الكهربائية في محيط معرض لخطر الانفجار والذي تتوفر فيه السوائل والغازات أو الأبخرة القابلة للاشتعال العدة الكهربائية تشكل الشر الذي قد يتطاير، فيشعل الأبخرة والأبخرة.
- ③ حافظ على بقاء الأطفال وغيرهم من الأشخاص على بعد عندما تستعمل العدة الكهربائية. قد تفقد السيطرة على الجهاز عند التلهي.
- ④ الأمان الكهربائي
 - ① يجب أن يتلاءم قابس وصل العدة الكهربائية مع المقبس. لا يجوز تغيير القابس بأي حال من الأحوال. لا تستعمل القوايس الهابطة مع العدة الكهربائية المؤرضة تأريض وقائي. تخفض القوايس التي لم يتم تغييرها والمقابس اللامنة من خطر الصدمات الكهربائية.
 - ② تجنب ملامسة السطوح المؤرضة كالألوانين وراياتورات التدفئة والمدافئ أو البرادات بواسطة جسمك. يزداد خطر الصدمات الكهربائية عندما يكون جسمك موصولاً.
 - ③ أبعاد العدة الكهربائية عن الأمطار أو الرطوبة. يزداد خطر الصدمات الكهربائية إن تسرب الماء إلى داخل العدة الكهربائية.
 - ④ يجب عدم إساءة استخدام الكابل. لا تنسى استعمال الكابل لحمل العدة الكهربائية أو تعليقها أو لسحب القوايس من المقبس. حافظ على إبعاد الكابل عن الحرارة والنزيت والحواف الحادة أو عن أجزاء الجهاز المتحركة. تزيد الكابلات التالفة أو المتشابكة من خطر الصدمات الكهربائية.

- ③ استخدم فقط كابلات التمديد الصالحة للإستعمال الخارجي أيضاً عندما تشغلت بالعدة الكهربائية في الخلاء. يخفف استعمال كابل تمديد مخصص للإستعمال الخارجي من خطر الصدمات الكهربائية.
- ④ إن لم يكن بالإمكان عدم تشغيل العدة الكهربائية في الأجواء الرطبة، فاستخدم مفتاح للوقاية من التيار المتردد، إن استخدام مفتاح للوقاية من التيار المتردد يقلل خطر الصدمات الكهربائية.
- ⑤ أمان الأشخاص
 - ① كن يقظاً وأنتبه إلى ما تفعله وقم بالعمل بواسطة العدة الكهربائية بتعقل.. لا تستخدم العدة الكهربائية عندما تكون متعب أو عندما تكون تحت تأثير المخدرات أو الكحول أو الأدوية، عدم الإنباه للحظة واحدة عند استخدام العدة الكهربائية قد يؤدي إلى إصابة خطيرة.
 - ② ارتد عناد الوقاية الخاص، وارتد دائماً نظارات واقية. يجب إرتداء عناد الوقاية الخاص. كضخامات الوقاية من الغبار وأذنية الأمان الواقية من الإرتداد والحدو واقية الأذنين. حسب نوع وإستعمال العدة الكهربائية، من خطر الإصابة بجروح.
 - ③ تجنب التشغيل بشكل غير مقصود. تأكد من كون العدة الكهربائية مطفأة قبل وصلها بإمداد التيار الكهربائي و/أو بالمركب، وقبل رفعها أو حملها. إن كنت تضع إصبعك على المفتاح أثناء حمل العدة الكهربائية أو إن وصلت الجهاز بالشبكة الكهربائية عندما يكون قيد التشغيل، فقد يؤدي ذلك إلى حدوث الحوادث.
 - ④ انزع عدد الضبط أو مفتاح الربط قبل تشغيل العدة الكهربائية. قد تؤدي العدة أو المفتاح المتواجد في جزء دوار من الجهاز إلى الإصابة بجروح.
 - ⑤ تجنب أوضاع الجسم غير الطبيعية، فبأمان وحافظ على توازنك دائماً. سيسمح لك ذلك من السيطرة على الجهاز بشكل أفضل في المواقف غير المتوقعة.
- ⑥ ارتد ملابس مناسبة، لا ترتدي الثياب الفضفاضة أو الخلي. حافظ على إبقاء الشعر والثياب والقفازات على بعد عن أجزاء الجهاز المتحركة. قد تشنابك الثياب الفضفاضة والخلي والشعر الطويل بالأجزاء المتحركة.
- ⑦ إن جاز تركيب جهاز شفط وجميع الغبار فتأكد من أنها موصولة وبأنه يتم استخدامها بشكل سليم، قد يقلل إستخدام تجهيزات لشفط الغبار من المخاطر الناتجة عن الأبخرة.
- ⑧ حسن معاملة واستخدام العدة الكهربائية
 - ① لا تطرف في تحميل الجهاز إستخدم لتنفيذ أشغالك العدة الكهربائية المخصصة لذلك، إنك تعمل بشكل أفضل وأكثر أماناً بواسطة العدة الكهربائية اللامنة في مجال الأداء المذكور.
 - ② لا تستخدم العدة الكهربائية إن كان مفتاح تشغيلها تالف. العدة الكهربائية التي لم تعد تسمح بتشغيلها أو بإطافئها خطيرة ويجب أن يتم تصليحها.
 - ③ اسحب القوايس من المقبس و/أو انزع المركب قبل ضبط الجهاز وقبل إستبدال التوابع أو قبل وضع الجهاز جانباً. تمنع إجراءات الاحتياط هذه تشغيل العدة الكهربائية بشكل غير مقصود.
 - ④ احتفظ بالعدد الكهربائية التي لا يتم إستخدامها بعيداً عن متال الأطفال. لا تسمح باستخدام العدة الكهربائية لمن لا خبرة له بها أو لمن لم يقرأ تلك التعليمات. العدة الكهربائية خطيرة إن تم استخدامها من قبل أشخاص دون خبرة.
 - ⑤ اجتن بالعدة الكهربائية بشكل جيد. تفحص عما إذا كانت أجزاء الجهاز المتحركة تعمل بشكل سليم وبأنها غير مستعصبة عن الحركة أو إن كانت هناك أجزاء مكسورة أو تالفة لدرجة تؤثر فيها على حسن أداء العدة الكهربائية. ينبغي تصليح هذه الأجزاء التالفة قبل إعادة تشغيل الجهاز. الكثير من الحوادث مصدرها العدة الكهربائية التي تم صيانتها بشكل ردي؛
 - ⑥ حافظ على إبقاء عدد القطع نظيفة وحادة. إن عدد القطع ذات حواف القطع الحادة التي تم صيانتها بعناية تكليس بشكل أقل ويمكن توجيهها بشكل أيسر.
 - ⑦ استخدم العدد الكهربائية والتوابع وعدد الشغل والرخ حسب هذه التعليمات تراعى أثناء ذلك شروط الشغل والعمل المراد تنفيذه. استخدام العدد الكهربائية لغير الأغراض المخصصة لأجلها قد يؤدي إلى حدوث الحالات الخطيرة.
 - ⑧ الخدمة
 - ① اسمح بتصليح عدتك الكهربائية فقط من قبل المتخصصين فقط بإستعمال قطع الغيار الأصلية، يؤمن ذلك المحافظة على أمان الجهاز.

- ① ملاحظات خذيرية مشتركة للتجليخ والتجليخ بورق الصنفرة والشغل بالفرش المعدنية والصلق والقطع





1

9176

750
Watt

2,0 kg
EPTA 01/2003

11000
/min

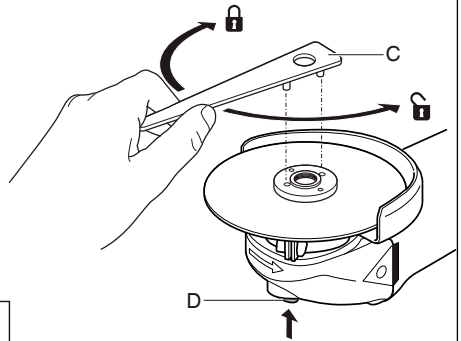
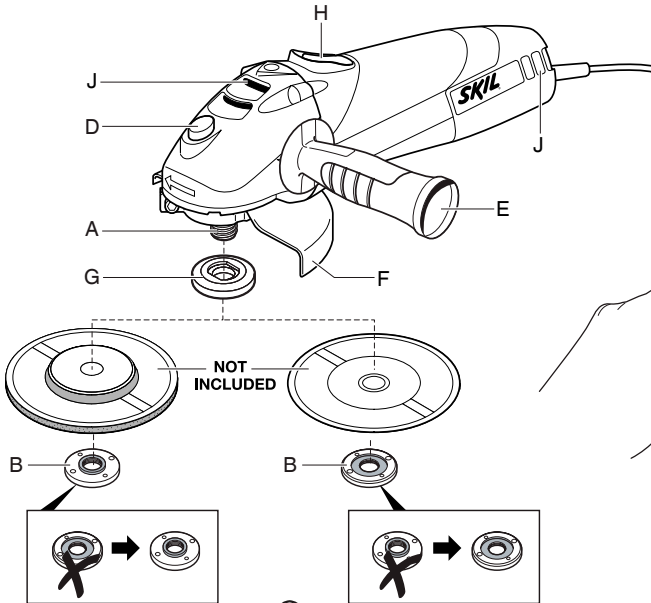
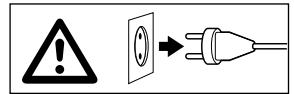
±125 mm±
MAX.

MAX.
22mm

M14

220
-
240
V~
50-60 Hz

2



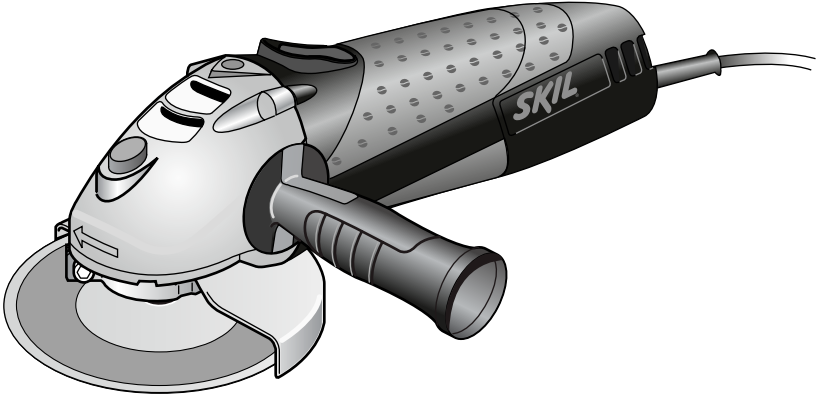
3



جلاخة زواية

9176

SKIL[®]



دليل الاستعمال

AR

راهنماي اصلي

FA



2610Z05229

08/13

سكيل أوروبا ب.د.ق. - كونينانبرج 60
4825 ب.د. بريدا - هولندا



Сертификат о соответствии
KZ.7500052.22.01.00062
Срок действия сертификата о соответствии
по 09.07.2018
ТОО «Центр Сертификации продукции и услуг»
г. Алматы, ул. Кабанбай батыра,
уг. Калдаякова 51/78