

fubag

MIG-MAG/MMA/TIG
Сварочный полуавтомат
MIG-MAG/MMA/TIG Welding machine

Operator's Manual
Инструкция по эксплуатации

INMIG 200 Plus



www.fubag.ru



WARNING! BEFORE USING THE WELDING MACHINE READ THE INSTRUCTION MANUAL CAREFULLY! FOR QUALIFIED AND SPECIALLY TRAINED PERSONS ONLY AFTER PROPER READING OF THIS MANUAL IS ALLOWED TO USE AND TO MAINTAIN THIS WELDING MACHINE.

The detailed description, safety rules and all required information necessary for proper operation and maintenance of FUBAG welding machine are provided below. Keep this instruction manual by machine and refer to it by any doubts concerning safety operation, maintenance storage and handling of FUBAG welding machine.

1. Safety operation

- It is highly recommended always to follow the safety rules. Wear protective clothes and special means to avoid injuries to eyes and skins.
- Use the welding mask or special protective glasses while working with the welding machine. Only by viewing through the filter lens on the welding mask your eyes are secured by your operation.
- Prevent the sparks and spatter from harming your body.
- Under no circumstance allow any part of your body to touch the welder's output bipolarity (torch and work piece).
- Do not operate under water or more humid place.
- Fumes and gases produced when welding are hazardous to health. Make sure to work in places where there are exhaust or ventilation facilities to keep fumes or emissions away from the breathing zone.
- Please remember to keep arc rays away from the other nearby people when welding. This is only due to the interference from arc rays.
- There will be high temperature when welding work piece, so please don't directly touch on it
- No touching on the output connection or any other electrification parts while welding.
- No touching on the electrification parts after turning on the power. Cut off the power supply after operation or before leaving the welding site.
- No welding in the dangerous site where easily get an electrical shock.
- No welding for the container loaded inflammable or explosive materials.
- Safe measures should be adopted while operating in high place to avoid accident.
- No entering the welding site for persons not concerned.
- Welders possible have electromagnetism and frequency interference, so keep away people with heart pace or the articles which can be interfered by electromagnetism and frequency.



WARNING. The welder voltage is always higher, so the safety precaution should be taken before repair to avoid accidental shock. Switch off the power supply before each type of maintenance work. The untrained people are not allowed to make maintenance of the machine.

- Check the connection of input and output cables and the earth (ground) connection, etc.
- Maintenance should be conducted by the trained personnel.
- The newly installed machine or the welder not in use for some time needs to be checked by multimeter have the right insulation resistance between each winding and the case.
- When the welder is used outdoors, it should be kept from rain or long exposure to the sun.
- Check is needed from time to time to make sure the welding cable is in good condition if the welding machine is in frequent use. Check at least once each month if the welder is in regular use. It is necessary to check when the welder is in mobile use.
- If the welder is not in use either for a long time or temporarily, it should be kept dry and have good ventilation to free it from moisture, erodible or toxic gas.
- The welder must be installed in the place where it can not be exposed to sun and rain. Also it must be stored in less humid place with the temperature range at $-10 +40^{\circ}\text{C}$.
- Dust removal is needed every year. Check the machine's fasteners, moving-iron, current regulation screws, etc to make sure there are no loose connection problems.
- The dust, acid and erodible dirt in the air at the job site can not exceed the amount required by the norm (excluding the emission from the welder).
- The welder must be installed in the place where it can not be exposed to sun and rain. Also it must be stored in less humid place with the temperature.
- There should be 50 cm space about for the welding machine to have good ventilation.
- Make sure that there is no metal-like foreign body to enter the welding machine.
- Electrode must be taken down from holder when no welding.
- No violent vibration in the welder's surrounding area.
- Make sure that there is no interference with the surrounding area at the installation site.
- The welder should be installed on the horizontal surface and if it over 15° , there should be added some anti-dump set.
- Take measures to prevent wind while operating in the strong wind since the welder is gas shielded. The wind speed is limited below 1,0 m/s, or the wind shield device must be loaded.

Safety Check:

Each item listed below must be carefully checked before operation:

- Make sure that there is no short circuit connection with welder's both outputs.
- Make sure that there is always sound output and input wire connection instead of exposing it outside.

Regular check needs to be conducted by the qualified personnel after the welding machine has been installed over a long period or re-operation, which involves as follows:

- Check the welding cable to see if it can continue to be used before it is worn out.
- Replace the welder's input cable as soon as it is found to be broken or damaged.
- Make sure whether there is enough power supply to make the welding machine work properly. Any power source required to access the welding machine must be installed with some protective equipments.

Please do not hesitate to contact us for technical assistance whenever you come across the problems you can not work out or you may deem difficult to fix.

2. Technical Specification

Rated input voltage, V	220
Frequency, Hz	50/60
Rated input current, A	35
Rated input, kVA	7,7
Rated no-load voltage, V	58
MIG min welding current, A	20
MIG max welding current, A	200
MIG output voltage at min welding current, V	15
MIG output voltage at max welding current, V	24
MIG rated duty cycle, %	20
MIG welding current at 100%, A	90
MMA min welding current, A	20
MMA max welding current, A	170
MMA output voltage at min welding current, V	20,8
MMA output voltage at max welding current, V	26,8
MMA rated duty cycle, %	20
MMA welding current at 100%, A	76
TIG min welding current, A	15
TIG max welding current, A	200
TIG output voltage at min welding current, V	10,6
TIG output voltage at max welding current, V	18
TIG rated duty cycle, %	20
TIG welding current at 100%, A	90
Efficiency, %	85
Power factor	0,92
Insulation class	H
Enclosure protection	IP21S
Cooling type	Fan cooled
Dimension (LxWxH), mm	550x320x440
Weight, kg	15,4

The manufacturer reserves himself the right to make the manual's content or welder's function change without any preliminary notification of the users.

3. Description

This welding machine is designed to be used with the advanced IGBT and rapid recovery diode as its main control and transfer components and assisted with the specially developed control circuit. It is available to MIG (both CO₂ gas-shielded welding and flux-cored welding) and stick welding. It uses arc between wire and work piece as heat source to melt wire and master material metal, and then sends shielded gas to welding site, which makes the melt pond and master material metal free from around air's erosion. The continuous wire can form welding seam metal after melting so as to connect the wok pieces each other. The melting electrode gas protects the welding district easily, so it is easy to operate and observe the whole working process.

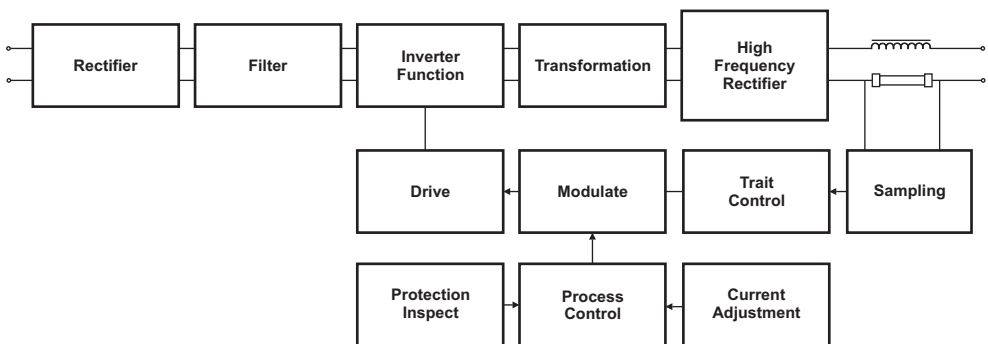
The highlighted characteristics of Inverter Welder:

- Featured with small volume and light weight, it widely used in upholstering field, repairing field and fieldwork.
- Undercutfunction make arc-piloting more successful.

- By various sound protection performance, it can keep the welding machine from overheating, over voltage, under voltage, over current and so on.
- High working efficiency. Automatic Wire Feeding can realize high speed welding.
- No special requirements for the welding wire. Both solid and flux-cored wires are available. The diameter of the wire is between 0,6 at 1,0 mm.
- Convenient connection mode. outer connection make it quick ,safe ,simple and reliable.
- Dual pulse technology, could use 10 mm aluminum wire.
- Unifying control in MIG welding, slow wire feeding, easy arc start.
- TIG Lift-ARC welding, program control, easy arc start, torch anti-sticking.
- MMA function is also available. And it also can weld cellulosic electrode.

4. Welder's Principle & Structures

The welder acquires 220 V single phase industrial frequency AC power source through the power switch SW 101 and rectify through single phase rectifier bridge B1 and then filtered through capacitor C1, C2, C3, C4 to get the DC current. The 20 KHz AC current is got through the IGBT (Q1, Q2, Q3, and Q4) all-bridge inverter. Then this alternating current, transformed by the intermediate frequency transformer and rectified by quick recovery diode (D4, D5, D6, D7), outputs the stable direct current for the welder immediately after it has been filtered by the reactor L2. The wire feed speed can be stepless adjusted through the speed adjust knob. The welding current is easily influenced from the wire feed speed, usually the faster the wire feed speed the bigger the Amp value under the same voltage.



MIG series use the movable carton like structures: The upper part in the front is equipped with a welding current regulation knob, power indicator light (green), abnormal indicator light (yellow), working indicator (red) while the lower part is furnished with the torch quick connector and “-” quick connector. The back side is installed with power switch, gas valve connection , cooling fan, power source lead-in wire, breaker . On the top there is a handle for the convenient of easy transport. When you open the cover, there is one primary transformer, one piece of printed circuit board. The bottom part is supplied with output reactor, primary transformer and etc. Installed in the middle part is a radiator with power elements.







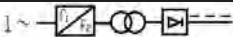

Environment to Which the Product Is Subject:

- The surrounding temperature range: when welding -10 + 40°C;
During transport or in storage: -25 +55°C
- Relative humidity:
 - when at 40°C: ≤50%;
 - when at 20°C: ≤90%;
- The dust, acid and erodible materials in the air can not exceed the amount required by the norm (apart from the emissions from the welding process).
- No violent vibration at the job site.
- Altitude no more than 1000 m

Требования к электропитанию:

- The oscillation of the supplied voltage should not exceed ±15% of the rated value.

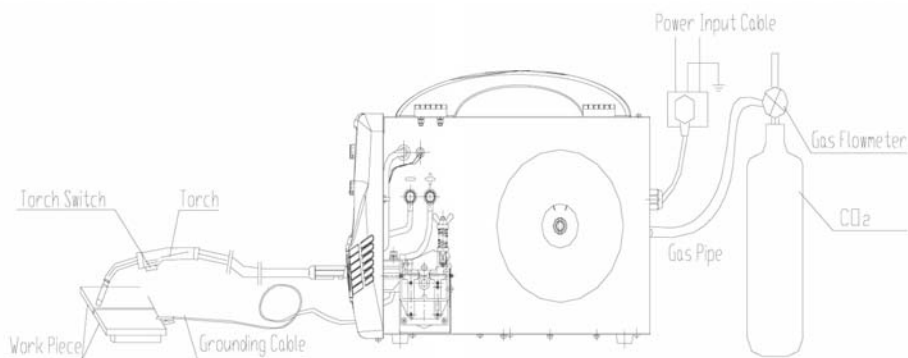
5. Sign & Pictures Illustration

SIGN	NAME
A	Current (A)
V	Voltage (V)
Hz	Rated frequency (Hz)
	ARC welder
	MIG welder
	TIG welder
	Ground
H	Insulation grade
IP21S	Case protection class
	DC current
	Single phases AC power source
U₀	Rated Open Circuit Voltage
X	Duty Cycle
I₁	Rated Input Current
I₂	Rated Welding Current
	Single phase stillness transducer-transformer-rectifier
U₁	Rated Input Voltage
U₂	Rated Load Voltage
	Descending
+	"+" electrode
-	"-" electrode
P₁	Rated Input Power

6. Installation

Welder's Placement

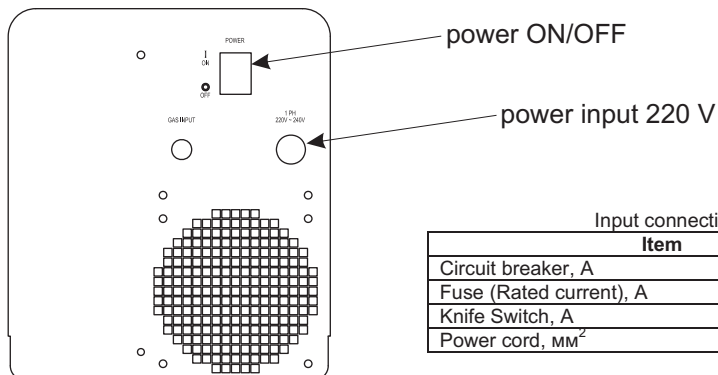
- The dust, acid and erosible dirt in the air at the job site can not exceed the amount required by the norm.
- The welder must be installed in the place where it can not be exposed to sun and rain. Also it must be stored in less humid place with the temperature range at -10 до 40°C.
- There should be 50 cm space about for the welding machine to have good ventilation.
- Apparatus to exclude wind and smoke should be equipped if the inside aeration is not sound.



Connection between Welder and Power Source

Connect the power source cable at the back board of the welder into the single phase 220 or 115v voltage power network with breaker; 380 voltage power sources is strictly prohibited to the welder which will severely damage the welder, otherwise the user should take the consequences for it.

Notice: The melting current of the fuse is 1,2~1,5 times of its rated current.



Input connection Sketch

Item	Value
Circuit breaker, A	≥ 35
Fuse (Rated current), A	35
Knife Switch, A	40
Power cord, MM ²	≥ 2,5

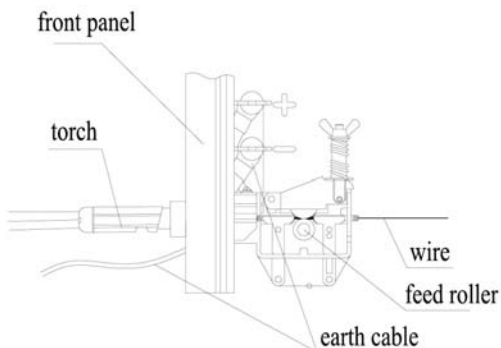
Connection of the Welding Cable

It is available to MIG (both CO₂ gas-shielded welding and flux-cored welding) and stick welding. It uses arc between wire and work piece as heat source to melt wire and master material metal, and then sends shielded gas to welding site, which makes the melt pond and master material metal free from around air's erosion.

The installation and connection of MIG Welding

Connection and installation of the wire feeder

- Select suitable wire according to welding technology. The wire diameter must be matched with drive roll, wire guide pipe liner and contact tip.



- Open the lid of wire reel on the wire feeder put "Wire Coil" into "Wire Reel" on the wire feeder. Attention: Wire end under the "Wire Reel", opposite wire feeder.

- There is damping screw device in the "Wire Reel" (hex head screw will be seen when open the lid). Pull the wire reel with hand when adjust. If resistance is over large, may adjust damping bolt: screw clockwise will enlarge the value and vice versa.

- Lead wire into "Wire Guide Pipe" of wire feeder, align wire with roll groove through "Drive Roll", re-lead "Socket Tip" and press "Drive Roll". (If more welding wire is needed, it will be done after switching on the power.)

Connection between Welder and Torch

- Insert the connector of torch into "Torch Access Hole" on the front panel of the welder and rotate the screw cap firmly.

Connection of the Connection Cable

- Connect the copper tip of the earth clamp which thread through the wire access hole on the panel with "-" of the "connecting tip". The connecting cable must be reliable, or the connecting tip will burn out.

- In order to reach sound performance when welding with flux-cord wire, it's available that connect the "+", "-" in an opposite way, that's the wire feed motor with "-" and the connecting cable with "+".

Notice: Do not use steel plate or the materials alike which are ill conductor to connect between welder and work piece.

The installation and Connection of MMA welding

Connection of welder and welding cable

Connect the quick connector of welding cable to the output on front panel, and deasil turn down. The electrode holder is used for clamp the electrode.

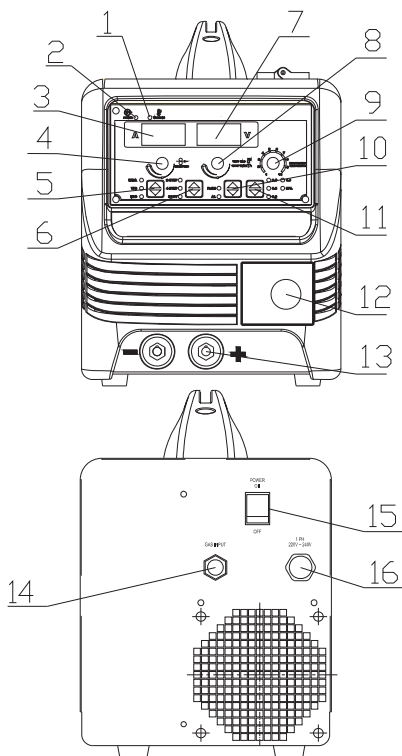
Connection of welder and grounding cable

Connect the quick connector of grounding cable to the output on the front panel, and deasil turn down. The earth clamp is used for clamp the work piece.

Notice: Do not use steel plate or the materials alike which are ill conductor to connect between welder and work piece.

7. Operation

ATTENTION: The protection class of INMIG Inverter Welder is IP21S. It is forbidden to put in a finger or insert a round bar less than 12.5 mm (metal bar in particular) into the welder. No heavy force can be employed on the welder.



1. Protection indicator
2. Power indicator
3. Current display
4. Wire feeding voltage knob
5. Welding method switch
6. 2T/4T/SPOT change
7. Voltage display
8. Voltage adjustment
9. Electron reactance
10. Welding material
11. Wire diameter
12. Euro torch socket
13. Output socket
14. Gas input
15. Power switch
16. Cable holder

Attention:

- The 'protection indicator light' will be on after a long time operation, it shows that the inner temperature is over the permitted data, then the machine should be stopped using for some time to let it cool down. It can continue using after the 'protection indicator light' is off.
- The power source should be switched off after the operation or while temporarily leaving job site.
- Welders should dress canvas work cloth and wear welding mask to prevent the hurt from arc and thermal radiation.
- Light separating screen should be put in the job site to prevent the arc will hurt other people.
- Inflammable or explosive materials are prohibited to access the job site.
- Each connection of the welder should be connected correctly and creditably.

Work Piece cleaning Before Welding

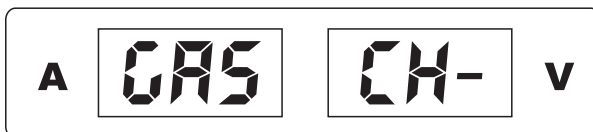
Wire, groove and surrounding 10-20 mm site must be cleaned, no existing rust, greasy dirt, water and paint etc.

MIG welding steps

a) Debugging before welding

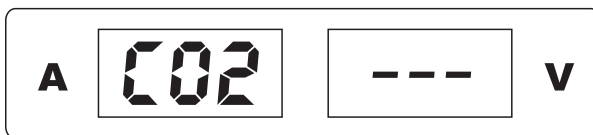
- Install the torch, gas and welding wire, and then turn on the power switch. The power indicator is on and fan works.

- When showing "Gas CH-" release the knob, and turning the knob, you can choose the protection gas.

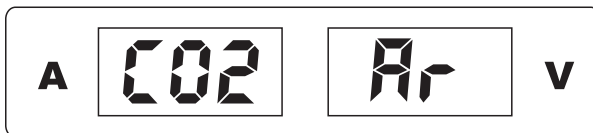


- Turn the gas regulator anticlockwise, loose the wire roller, press down the torch switch, and then adjust the gas flow to meet the technics requirement, and then repress the wire roller.

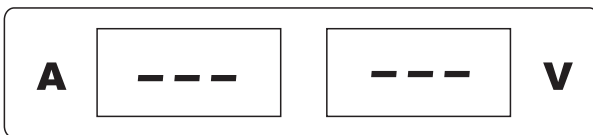
Chosen CO₂



Chosen CO₂+Ar

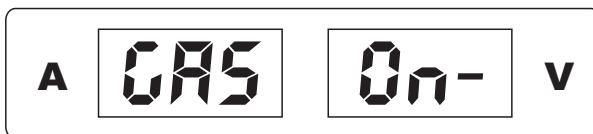


- For acknowledgement press a regulator, on display «-- --».

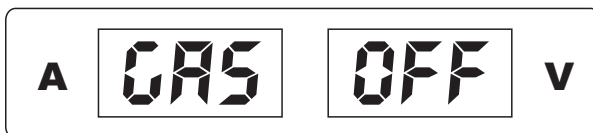


- Turn on the gas regulator of gas tank, the gas pressure is shown on the meter.

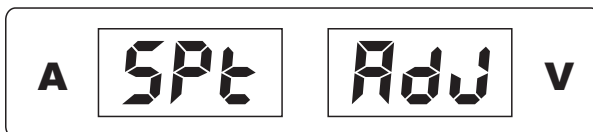
- When showing "Gas On-", release the knob, gas valve will open and supply the gas.



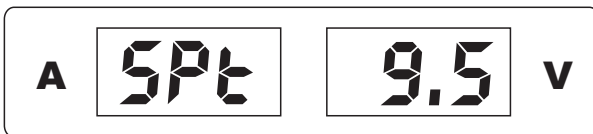
- When showing "Gas OFF", release the knob, gas valve will close.



- When showing "SPt ADJ", release the knob, and turning the knob, you can adjust the spot welding time as you need.



- Establish demanded value.



- Press the torch switch till the wire extends to the nozzle.

- When wire feeding, make the cable straight.

- When wire feeding, make sure the wire is located on the wire roller groove reliably and the feeding speed should be smooth. If the wire feeding speed is not smooth, please adjust the tension of the wire roller.

- When using MIG wire, the V groove wire roller should be used.

b) Welding

- There are five options for wires: 0,6 mm, 0,8 mm, 0,9 mm, 1,0 mm, and SPL. SPL is manual function, operator needs to set up welding voltage and wire feeding speed. Other four options are unifying adjustment; operator only needs to adjust wire feeding speed. Welder will match relevant voltage automatically, and also operator could arrange micro adjustment of voltage to meet better welding result. Electron reactor could adjust hard and soft character.
- Welding methods: 2 step, 4 step, spot welding.
- Welding material two options: Fe/Ss and Al. AL wire only could be 1,0 mm. (Note: the welding voltage pre-display will show peak voltage).
- When welding, please adjust the welding current and welding voltage matchable according to the set-up.
- Aim at the welding line, press down the torch switch, the wire feeds automatically. The arc is started once the wire is touched the work piece. When welding, the “working indicator” is on.

Flux welding steps

a) Debugging before welding

- Change the polarity on the vertical board, it is, connect MIG torch lead to “-”, the ground cable lead to “+”.
- Install the torch, gas and welding wire, and then turn on the power switch. The power indicator is on and fan works.
- Press the torch switch till the wire extends to the nozzle.
- When wire feeding, make the cable straight.
- When wire feeding, make sure the wire is located on the wire roller groove reliably and the feeding speed should be smooth. If the wire feeding speed is not smooth, please adjust the tension of the wire roller.
- When using flux wire, the gear type groove wire roller should be used.

b) Welding

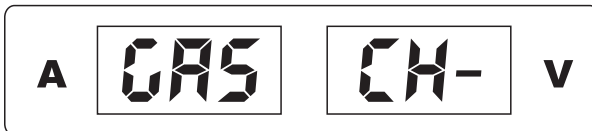
- When welding, please adjust the welding current and welding voltage matchable according to the set-up.
- Aim at the welding line, press down the torch switch, the wire feeds automatically. The arc is started once the wire is touched the work piece. When welding, the “working indicator” is on.

Aluminum welding steps

a) Debugging before welding

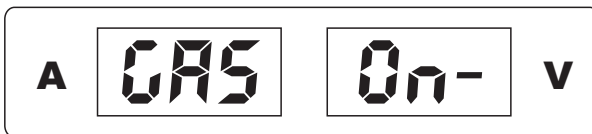
- Change the liner in MIG torch for Teflon liner.
- Connect the torch, gas hose, grounding cable, argon gas tank, work piece and then turn on the power switch, the power indicator is on, at this time, the fan is working.

- When showing "Gas CH-" release the knob, and turning the knob, you can choose the protection gas.

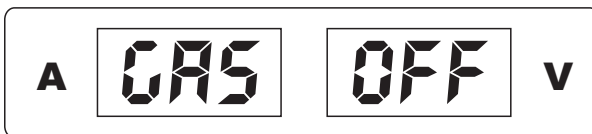


- Turn the gas regulator anticlockwise, loose the wire roller, press down the torch switch, and then adjust the gas flow to meet the technics requirement, and then repress the wire roller.
- Adjust gas giving.

- When showing "Gas On-", release the knob, gas valve will open and supply the gas.



- When showing "Gas OFF", release the knob, gas valve will close.



- Press the torch switch till the wire extends to the nozzle.
- When wire feeding, make the cable straight.
- When wire feeding, make sure the wire is located on the wire roller groove reliably and the feeding speed should be smooth. If the wire feeding speed is not smooth, please adjust the tension of the wire roller.
- When using aluminum wire, the "U" type groove wire roller should be used.

b) Welding

- If choose Al, operator only need to adjust suitable parameter and arc character.
- Use pure Ar.
- When welding, please adjust the welding current and welding voltage matchable according to the set-up.
- Aim at the welding line, press down the torch switch, the wire feeds automatically. The arc is started once the wire is touched the work piece. When welding, the "working indicator" is on.

MMA welding steps

a) Debugging before welding

- Set the "welding mode switch" on "stick", it means the Stick welding can be used.
- Set the welding current via welding current adjustor.

b) Welding

- Take up the electrode holder, install the electrode, aim at the welding line, scratch the work piece to start the arc.

The "working" indicator is on.

TIG welding

a) Debugging before welding

- When choose Lift-ARC function, welding torch should connect to negative pole, and work piece to positive pole.
- Set the welding current via welding current adjustor.

b) Welding

- When choose suitable current, operator could use torch to touch work piece, then lift the torch could start art.

8. Maintenance

Unlike the traditional welder, the reversible welder belongs to the scientifically sophisticated product which uses the modern electronic component parts combined with high technology. Therefore the trained personnels are required for its maintenance. However, due to the fact that there are very few components to be easily worn out, it doesn't need regular service apart from usual cleaning work. Only the qualified people are allowed to be in charge of the repair job. It is strongly recommended that customers contact our company for the technical back-up or service when they feel unable to work out the technical hitch or problems.

- The newly installed welder or which haven't been in use for some time need s to be surveyed the insulation resistances between each winding and every winding to case with millimeter, which can not be less than 2.5MΩ.

- Keep from the rain, snow and long term exposing to sunlight when welder is used outdoor.

- If the welder is not in use either for a long time or temperature ranges from -25°C ~ +55°C, and the relative humidity can not be more than 90%.

- The professional maintenance personnel should use dry compressed air (use air compressor or bellows) to remove the dust inside the machine. The part adhering to grease must be cleaned with cloth while make sure there are no loosing parts existed in the tightened places and connected cable. Usually the machine should be cleaned once a year if the dust accumulation problem is not very serious, while it needs cleaning once or even twice every quarter if the dust accumulation problem is serious.

- Regularly check the input & output cables of welder to guarantee them right and firmly connected and avoid them being exposed. Check should be taken once every month when fixed using and every check taken when removing.

- Regularly check the seal performance of gas system, whether the fan and feeder motor having abnormal sound and whether every joint being loose.
- Regularly clean the splash of nozzle (cannot use the way similar to knocking the torch head) and stick to using splash ointment. Don't remove the feeder device by means of pulling the torch cable.
- Clean the dust of liner with compressed air after the welder using some time (the dust is accumulated by friction between wire and liner roll if find it wear and tear to prevent wire uneven feeding).
- The pressed roll can not be pressed too firm to guarantee smooth wire feeding. (It will lead to wire deformation, adding the feeding resistance and accelerating the friction of gear if pressed over firmly.).

WARNING:

- The main loop voltage happens to be a bit higher, so safety precaution should be taken before repair to avoid accidental shock. The untrained people are forbidden to open the case!
- Power source needs to be cut off before dust removal.
- Never tamper with wire or damage the component parts when cleaning.

9. Troubleshooting

BREAKDOWN	ANALYSIS	SOLUTIONS
Yellow Indicator is on	Voltage is too high ($\geq 15\%$)	Switch off power source; Check the main supply; Restart welder when power recovers to normal state
	Voltage is too low ($\leq 15\%$)	
	Bad power ventilation lead to over-heat protection	Improve the ventilation condition
	Circumstance temperature is too high	It will automatically recover when the temperature low down
	Using over the rated duty-cycle	
Wire feeding motor don't work	Potentiometer not in the proper status	Change potentiometer
	Nozzle is blocked up	Change nozzle
	Feed roller is loosen	Firm the bolts
Cooling Fan not working or turning very slowly	Switch broken	Replace the switch
	Fan broken	Replace or repair the fan
	Wire broken or falling off	Check the connection
Arc is not stable and splash is large	Too large contact tip makes the current unsteady	Change the proper contact tip or roller
	Too thin power cable makes the power astaticism	Change the power cable
	Too low input voltage	Enhance the input voltage
	Wire feeding resistance is too large	Clean or replace the liner and the torch cable had better in the line direction

BREAKDOWN	ANALYSIS	SOLUTIONS
Arc can't be pilot	Earth cable break	Connect earth cable
	Work piece has much greasy dirty or rusty stain	Clean greasy dirty or rusty stain
No shielded gas	Torch is not connected well	Connect the torch again
	Gas pipe is pressed or blocked up	Check gas system
	Gas system rubber pipe break	
Others		Please connect with our company

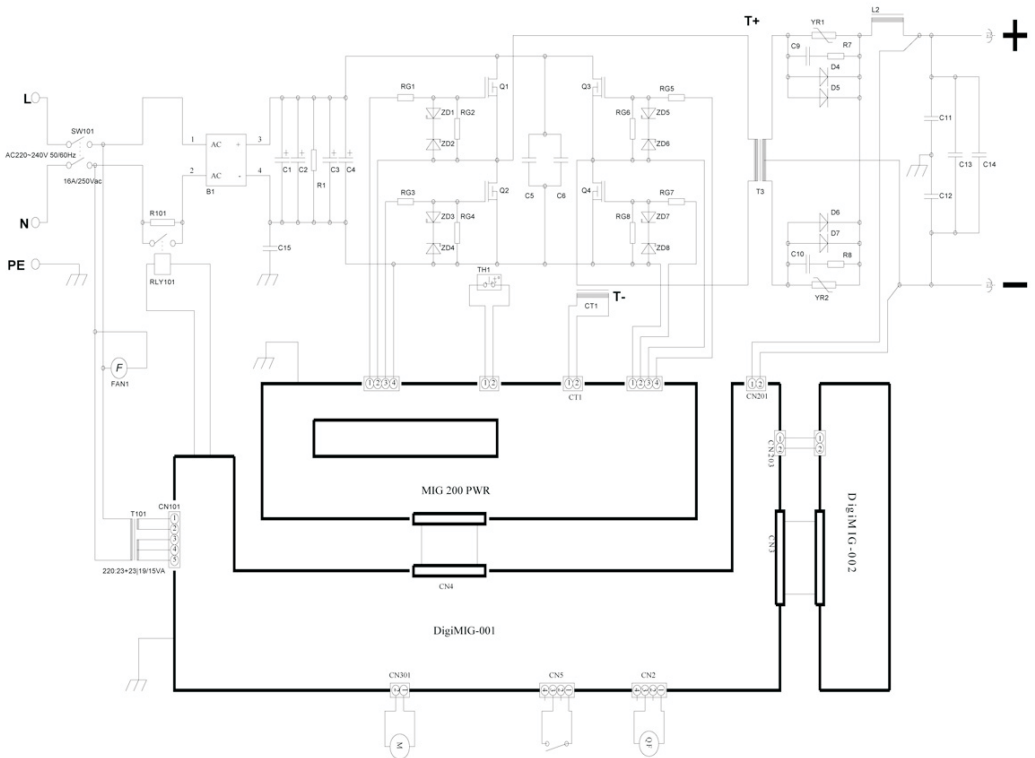
10. Complete Set Specification

Inverter Welder - 1pcs
 Product Certificate - 1pcs
 Operator's Manual - 1pcs
 Electrode holder - 1pcs
 Earth Cable (clamp) - 1pcs
 Gas pipe - 1pcs
 Gas pipe hose - 1pcs
 Feed roller 0,8/1,0 mm - 1pcs

11. Transport & Storage

- The machines should be free from rain and snow during transportation and storage. Keep notice of the warning sign on the packing box when load and unload. The warehouse should keep dry & ventilation and free from corrosive gas or dust. The tolerable temperature ranges from -25°C ~ +55°C and the relative humidity can not be more than 90%.
- After the package has been opened, it is suggested to repack the product as per prior requirement for future storage and transport. (Cleaning job is required before storage and you must seal the plastic bag in the box for storage.).
- Users should keep the packing materials with the machine to keep well storage during the long transportation. If the machine need transfer, the wooden case is required. The sign such as 'Lift' and 'Free of rain' should be labeled on the case.

12. Circuit Chart



13. Warranty

Warranty refers to defects of materials and components and does not refer to components subject to natural wear and maintenance work.

Only machines cleaned from dust and dirt in original factory packing fully completed, provided with instruction manual, warranty card with fixed sales date with a shop stamp factory serial number and originals of sales and ware receipt issued by salesman are subjects of warranty. Within the warranty period the service center eliminates free of charge all detected production defects. The manufacturer disclaims warranty and legal responsibilities if nonobservance of the instruction manual by user, unqualified disassembling repair or maintenance of the machine as well as does not bear responsibility for caused injury to persons or damages.

**ВНИМАНИЕ! ПЕРЕД ИСПОЛЬЗОВАНИЕМ СВАРОЧНОГО АППАРАТА ВНИМАТЕЛЬНО ОЗНАКОМЬТЕСЬ С ДАННОЙ ИНСТРУКЦИЕЙ.**

К использованию и обслуживанию сварочного аппарата допускается только квалифицированный и специально обученный персонал, ознакомленный с данной инструкцией.

В этой инструкции содержится описание, правила безопасности и вся необходимая информация для правильной эксплуатации сварочного аппарата FUBAG. Сохраняйте данную инструкцию и обращайтесь к ней при возникновении вопросов по безопасной эксплуатации, обслуживанию, хранению и транспортировке сварочного аппарата FUBAG.

1. Правила безопасности

- Всегда соблюдайте правила безопасности. Носите защитную одежду и специальные средства защиты, чтобы избежать повреждения глаз и кожных покровов.
- Всегда надевайте сварочную маску во время работы сварочным аппаратом.
- Старайтесь, чтобы искры и брызги не попали на тело.
- Избегайте контактов с открытыми токоведущими кабелями сварочного аппарата, не прикасайтесь к электрододержателю/горелке и свариваемой поверхности.
- Не работайте под водой или в месте с повышенной влажностью.
- Дым и газ, которые попадают в воздух при сварке, опасны для здоровья. Перед началом работ убедитесь, что вытяжка и вентиляция исправно работают.
- Убедитесь, что излучение дуги не попадет на других людей, находящихся поблизости от места сварки.
- Помните, что при сварке температура обрабатываемой поверхности повышается, поэтому старайтесь не прикасаться к обрабатываемым деталям во избежание ожогов.
- Не прикасайтесь к месту подключения питания или к другим частям сварочного аппарата, которые находятся под током. Отключайте питание сразу после окончания работы или перед тем, как оставить место работы.
- Никогда не работайте там, где существует опасность получения электрошока.
- Никогда не производите сварку емкостей, в которых могут содержаться легковоспламеняющиеся или взрывоопасные материалы.
- При высотных работах во избежание несчастного случая соблюдайте правила техники безопасности работы на высоте.
- Следите за тем, чтобы на рабочей площадке не было посторонних людей.
- Сварочные аппараты излучают электромагнитные волны и создают помехи для радиочастот, поэтому следите за тем, чтобы в непосредственной близости от аппарата не было людей, которые используют стимулятор сердца или другие принадлежности, для которых электромагнитные волны и радиочастоты создают помехи.
- Запрещено использовать сварочный аппарат для размораживания труб.



ВНИМАНИЕ. Сварочный аппарат находится под напряжением, поэтому прежде, чем приступить к его обслуживанию, следует обесточить его во избежание электрошока. Перед проведением любых работ всегда необходимо отключать источник питания. К работам со сварочным аппаратом допускаются только специалисты.

- Проверьте подключение входных и выходных кабелей, заземление и т.д.
- Техническое обслуживание должны выполнять только квалифицированные специалисты.
- Если ваш сварочный аппарат был только что установлен или к работе приступает новый оператор, следует проверить сопротивление изоляции между обмотками и кожухом.
- Время от времени следует проверять состояние сварочного кабеля. Если аппарат используется регулярно, его следует проверять не менее одного раза в месяц. Состояние сварочного кабеля также следует проверять, если сварочный аппарат используется как переносной.
- Если сварочный аппарат временно не используется или не используется продолжительное время, его следует хранить в сухом, хорошо проветриваемом помещении, не допуская попадания на него влаги, коррозионно-опасных или токсичных газов.
- Раз в год следует очищать сварочный аппарат от пыли. Проверьте, не ослаблены ли детали крепления аппарата, электромагнитную систему, ручки настройки тока и т.д.
- Наличие в воздухе пыли, а также едких и коррозионных веществ не должно превышать допустимых норм.
- Сварочный аппарат должен быть установлен в таком месте, где на него не будет попадать дождь и солнечные лучи. Его можно хранить в наименее влажном месте с температурой от -10 до 40°C.
- Необходимо обеспечить доступ воздуха к сварочному аппарату, для этого вокруг него должно быть свободное пространство не менее 50 см.
- Убедитесь, что на месте работы сварочного аппарата нет металлических или инородных предметов во избежание их попадания в аппарат.
- Не устанавливайте сварочный аппарат на вибрирующую поверхность.
- Сварочный аппарат должен быть установлен на горизонтальной поверхности, и если угол наклона составляет более 15°, следует создать условия для предотвращения его опрокидывания. Примите меры по защите от ветра, так как сварочный аппарат работает с защитным газом. Скорость ветра должна быть не больше 1,0 м/сек в противном случае необходимо использовать устройство для защиты от ветра.
- Убедитесь, что в месте установки сварочного аппарата отсутствуют посторонние помехи.
- Нельзя зажимать кабель сварочной горелки. Угол сгиба кабеля не должен быть слишком маленьким. Радиус канала направляющей не может быть меньше 300 мм иначе он может повредить внутренний кабель и привести к несчастному случаю.
- При работе УШИ вблизи необходимо избегать попадания металлосодержащего образива в сварочный аппарат.

Перед началом работы следует тщательно проверить:

- чтобы не было короткого замыкания между кабелями сварочного аппарата;
- прочность соединения разъемов и кабелей.

Квалифицированный персонал должен регулярно проводить проверку сварочного аппарата в том случае, если он используется после длительного хранения или ремонта. Эти проверки включают следующие процедуры:

- проверку сварочного кабеля. Кабель должен быть заменен прежде, чем будет полностью изношен. Входной кабель должен быть заменен в случае повреждения;
- проверку мощности источника питания. Любой источник питания, использующийся для сварочного аппарата, должен быть оснащен защитными системами.

Если вы столкнулись с проблемами, с которыми не можете справиться, обращайтесь в Сервисный центр.

2. Технические характеристики

Входное напряжение, В	220
Частота, Гц	50/60
Номинальный потребляемый ток, А	35
Номинальная потребляемая мощность, кВА	7,7
Напряжение холостого хода, В	58
Минимальный сварочный ток в режиме MIG, А	20
Максимальный сварочный ток в режиме MIG, А	200
Напряжение при минимальном сварочном токе в режиме MIG, В	15
Напряжение при максимальном сварочном токе в режиме MIG, В	24
ПВ при максимальном сварочном токе в режиме MIG, %	20
Сварочный ток в режиме MIG при ПВ=100%, А	90
Минимальный сварочный ток в режиме MMA, А	20
Максимальный сварочный ток в режиме MMA, А	170
Напряжение при минимальном сварочном токе в режиме MMA, В	20,8
Напряжение при максимальном сварочном токе в режиме MMA, В	26,8
ПВ при максимальном сварочном токе в режиме MMA, %	20
Сварочный ток в режиме MMA при ПВ=100%, А	76
Минимальный сварочный ток в режиме TIG, А	15
Максимальный сварочный ток в режиме TIG, А	200
Напряжение при минимальном сварочном токе в режиме TIG, В	10,6
Напряжение при максимальном сварочном токе в режиме TIG, В	18
ПВ при максимальном сварочном токе в режиме TIG, %	20
Сварочный ток в режиме TIG при ПВ=100%, А	90
Производительность, %	85
Коэффициент мощности	0,92
Класс изоляции	Н
Степень защиты	IP21S
Тип охлаждения	Воздушное принудительное
Габаритные размеры (ДхШхВ), мм	550x320x440
Вес, кг	15,4

Производитель имеет право вносить изменения как в содержание данной инструкции, так и в конструкцию сварочного аппарата без предварительного уведомления пользователей.

3. Описание

Инверторный аппарат для MIG сварки создан с использованием усовершенствованной технологии IGBT. Данным аппаратом возможно проводить MIG сварку (с СО или смеси Ar/CO₂ в качестве защитного газа и сварку флюсовой проволокой), TIG сварку неплавящимся электродом в среде Ar и MMA сварку. Аппарат использует электрическую дугу между проволокой/электродом и свариваемым материалом в качестве источника тепла для плавления проволоки и металла, при этом в зону сварки подается защитный газ.

Основными характеристиками данного инверторного аппарата являются:

- Небольшой объем и легкий вес, из-за чего аппарат широко используется для выполнения ремонтных работ в полевых условиях.
- Великолепное зажигание дуги и перенос металла.

- Наличие различных средств защиты предохраняет аппарат от перегрева, перенапряжения, падения напряжения, чрезмерного тока и т.д.
- Высокая производительность. Благодаря автоматической подаче проволоки можно осуществлять сварку в быстром скоростном режиме.
- Нет никаких особых требований к применяемой сварочной проволоке. Подходят и твердые и флюсовые проволоки. Диаметр проволоки от 0,6 до 1,0 мм.
- Удобное соединение. Внешние разъемы делают соединения безопасными, быстрыми и надежными.
- Технология Dual pulse, позволяет использовать алюминиевую проволоку диаметром 1,0 мм.
- Синергетическое управление в режиме MIG, позволяет быстро настроить нужный режим сварки.
- Функция TIG сварки с технологией розжига дуги TIG Lift.
- Функция MMA сварки. Выполняется рутиловыми или целлюлозными электродами.

4. Устройство, принцип и условия работы

Сварочный аппарат потребляет однофазный ток 220 В промышленной частоты через сетевой выключатель SW101 и выпрямляет его через однофазный выпрямительный мост В1 и затем фильтрует через конденсатор С1, С2, С3, С4 для получения постоянного тока. Через IGBT (Q1, Q2, Q3 и Q4) инвертор получают переменный ток с частотой 20 кГц. Затем этот переменный ток, преобразованный основным трансформатором и выпрямленный диодным мостом с быстрым восстановлением, (D4, D5, D6, D7) обеспечивает стабильный постоянный ток для сварочного аппарата сразу же после его фильтрации индуктивностью L2. Скорость подачи проволоки можно постепенно регулировать с помощью ручки для регулировки скорости. Скорость подачи проволоки влияет на сварочный ток, чем выше скорость подачи проволоки, тем больше сила тока при одинаковом напряжении.



Верхняя лицевая часть сварочного аппарата оборудована ручками регулировки сварочного тока, регулировки сварочного напряжения, кнопками переключения режимов сварки и выбора сварочного материала, индикатором включения питания (зеленый), индикатором неполадок (желтый), рабочим индикатором (красный). На нижней части находятся разъем для подключения горелки и разъемы «+»/«-», для подключения зажима заземления и кабеля электрододержателя/TIG горелки. На задней панели расположен сетевой кабель, разъем для газового клапана, вентилятор охлаждения, контакт подачи тока, выключатель.

Необходимые условия окружающей среды:

- температура окружающей среды: при сварке -10 + 40°C;
при транспортировке/хранении: -25 +55°C
- относительная влажность:
 - при 40°C: ≤50%;
 - при 20°C: ≤90%;
- количество пыли, кислоты и грязи в воздухе в рабочей зоне не может превышать значение, указанное в нормативах (за исключением выбросов от сварочного аппарата).
- отсутствие сильной вибрации на рабочем месте
- высота над уровнем моря не больше 1000 м

Требования к электропитанию:

- отклонение напряжения электропитания от нормы не должно превышать ±15%

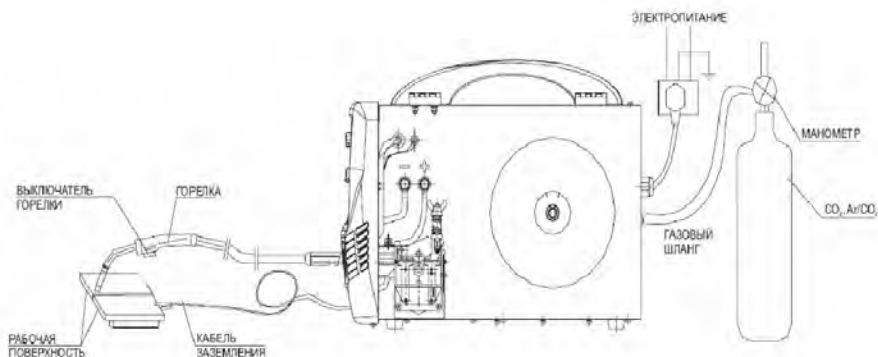
5. Расшифровка пиктограмм

СИМВОЛ	РАСШИФРОВКА
A	Ток (А)
V	Напряжение (В)
Hz	Частота (Гц)
	Ручная дуговая сварка MMA
	Полуавтоматическая сварка MIG/MAG
	Сварка неплавящимся электродом TIG
	Заземление
H	Класс изоляции
IP21S	Степень защиты
	Сварка постоянным током
	Характеристика электропитания
U₀	Номинальное напряжение холостого хода
X	Рабочий цикл
I₁	Номинальный потребляемый ток
I₂	Номинальный сварочный ток
	Структура сварочного аппарата
U₁	Номинальное напряжение питания аппарата
U₂	Напряжение сварочной дуги
	Вольтамперная характеристика сварочной дуги
+	Зажим «+»
-	Зажим «-»
P₁	Номинальная потребляемая мощность

6. Установка

Размещение сварочного аппарата

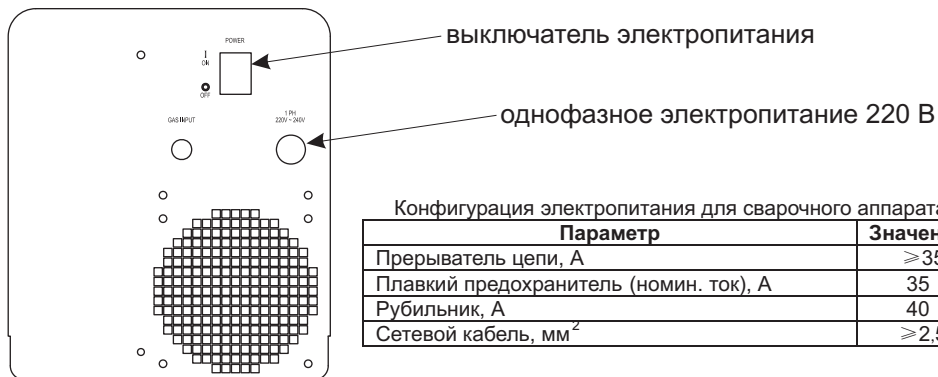
- Количество пыли, кислоты и грязи в воздухе в рабочей зоне не должно превышать значение, указанное в нормативах (за исключением выбросов от сварочного аппарата)
- Сварочный аппарат должен быть установлен в таком месте, где он не подвергается воздействию солнечного света и дождя. Также его следует хранить в наименее влажном месте при температуре от -10 до 40°C.
- Для обеспечения достаточной вентиляции расстояние над сварочным аппаратом должно быть 50 см
- Если внутренней вентиляции не достаточно, следует установить оборудование для устранения дыма и предохранения от ветра.



Подсоединение к источнику питания

Подсоедините электрокабель к однофазной сети электропитания 220 В с выключателем. Напряжение 380 В запрещено использовать, так как оно может серьезно повредить аппарат и иметь серьезные последствия для оператора.

Внимание: Ток предохранителя в 1,2~1,5 раза превышает его номинальный ток.



Конфигурация электропитания для сварочного аппарата

Параметр	Значение
Прерыватель цепи, А	≥ 35
Плавкий предохранитель (номин. ток), А	35
Рубильник, А	40
Сетевой кабель, мм ²	≥ 2,5

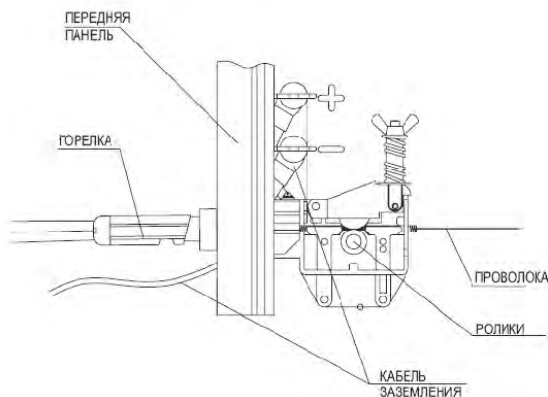
Подсоединение сварочных кабелей

Данный сварочный аппарат предназначен как для сварки проволокой в среде защитного газа так и самозащитной проволокой (флюс, без газа). Когда сварочная горелка подсоединена к положительной клемме, а заземление к отрицательной, аппарат используется для сварки методом MIG/MAG в среде защитного газа. Обратная полярность используется при сварке самозащитной проволокой, где не требуется большого нагрева в процессе сварки.

Установки и соединения для проведения сварки в режиме MIG

Подсоединение и установка устройства для подачи проволоки

- Подберите необходимую проволоку в соответствии с технологией сварки. Диаметр проволоки должен соответствовать приводному ролику, направляющему каналу и контактному наконечнику.



- Откройте боковую крышку на устройстве для подачи проволоки. Поместите катушку с проволокой в барабан на подающем устройстве. Внимание: Конец проволоки должен находиться под барабаном, напротив подающего устройства.

- На барабане имеется блокировочный винт (при открытой крышке будет виден винт с шестигранной головкой). Потяните барабан рукой для регулировки. Если сопротивление слишком большое, возможно необходимо отрегулировать блокировочный винт: натяжение увеличивается при вращении по часовой стрелке, и наоборот.

- Поместите проволоку в направляющий канал подающего устройства, выровняйте проволоку в канале приводного ролика, поместите проволоку в канал разъема сварочной горелки и нажмите на приводной ролик. (Для протягивания проволоки в рукав сварочной горелки необходимо включение электропитания.)

Подсоединение горелки

- Поместите соединительную втулку горелки в отверстие для крепежа горелки на передней панели сварочного аппарата и плотно закрутите накидную гайку на разъеме горелки.

Подсоединение кабеля заземления

- Подсоедините байонетный разъем кабеля заземления к выходному разъему «-» на передней панели аппарата и поверните по часовой стрелке. Соединение должно быть надежным, в противном случае соединительный разъем сгорит.

- Для достижения хорошей производительности при сварке флюсовой проволокой есть возможность изменить полярность таким образом, чтобы сварочная горелка была подключена к «-», а кабель заземления к «+».

Внимание: Не используйте вместо кабеля заземления, стальную пластину или другие подобные материалы, которые являются плохими проводниками, для соединения сварочного аппарата со свариваемым изделием.

Соединения и установки для ММА сварки

Подсоединение сварочного кабеля

Подсоедините байонетный разъем сварочного кабеля к выходному соединению на передней панели и поверните по часовой стрелке. Электрододержатель используется для зажима электрода.

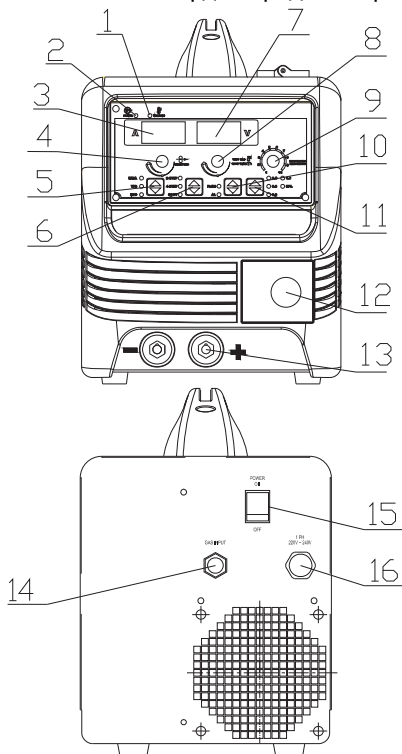
Подсоединение кабеля заземления

Подсоедините байонетный разъем кабеля заземления к выходному разъему на передней панели и поверните по часовой стрелке. Зажим заземления используется для подключения свариваемого материала в цепь сварочного тока.

Внимание: Не используйте вместо кабеля заземления, стальную пластину или другие подобные материалы, которые являются плохими проводниками, для соединения сварочного аппарата со свариваемым изделием.

7. Сварочные работы

ВНИМАНИЕ: Класс защиты данного инверторного аппарата IP21S что обеспечивает защиту от проникновения твердых предметов размером более 12,5 мм.



1. Индикатор термозащиты
2. Индикатор питания
3. Дисплей значения сварочного тока
4. Регулятор скорости подачи сварочной проволоки
5. Кнопка выбора способа сварки
6. Кнопка выбора режима управления сварочной горелки (2-х тактный, 4-х тактный, SPOT режим)
7. Дисплей значения сварочного напряжения
8. Регулятор сварочного напряжения
9. Регулятор индуктивности
10. Кнопка выбора свариваемого материала
11. Кнопка выбора диаметра сварочной проволоки
12. Разъем подключения сварочной горелки
13. Разъемы подключения кабелей электрододержателя и зажима заземления
14. Штуцер подсоединения подачи защитного газа
15. Выключатель питания
16. Кабель электропитания

Внимание:

- Индикатор термозащиты загорится после долгого периода работы, что означает, что внутренняя температура превышает допустимое значение, в таком случае следует остановить работу аппарат на некоторое время и дать ему остыть. Работу можно продолжить после того, как индикатор защиты погаснет.
- После завершения работы или при временной остановке работы следует отключать электропитание.
- Сварщикам следует надевать холщовую защитную одежду и маски для защиты от излучения дуги.
- В рабочей зоне следует установить светозащитный экран для защиты других людей.
- Запрещается хранить в рабочей зоне взрывчатые или легковоспламеняющиеся вещества.
- Все подсоединения к сварочному аппарату должны быть выполнены правильно и надежно.

Зачистка свариваемого материала перед выполнением сварки

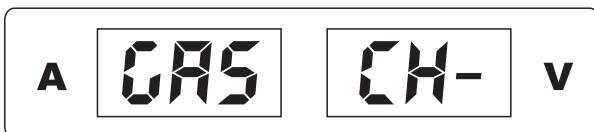
Металл на расстоянии 10-20 мм от шва должны быть очищены от ржавчины, маслянистой пыли, воды и краски и т.д.

Описание основного процесса сварки в режиме MIG

а) Регулировка перед проведением сварки

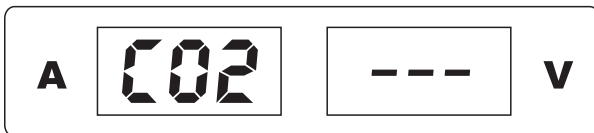
- Установите горелку, газ и сварочную проволоку и затем включите электропитание. Индикатор включения горит и вентилятор работает.

- Выберите вид защитного газа, который будете использовать. Для этого нажмите и удерживайте регулятор сварочного напряжения, поз.8, до тех пор, пока на дисплеи появится надпись «GAS CH-»

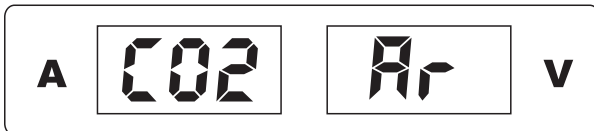


- Вращая регулятор сварочного напряжения и регулятор сварочного тока, выберете тип защитного газа для сварки.

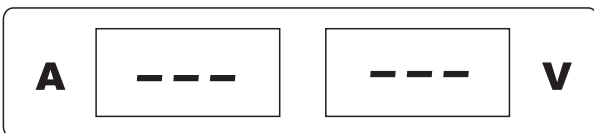
Выбран CO₂



Выбрана смесь CO₂+Ar

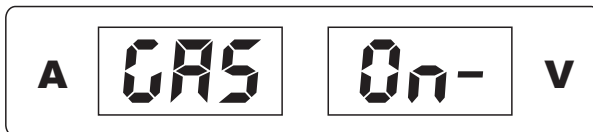


После выбора типа защитного газа нажмите на регулятор поз.8 еще раз для подтверждения выбора, на экране появится надпись «-- --».

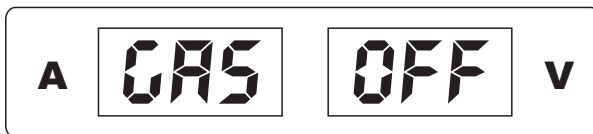


- Откройте газовый редуктор на баллоне, на манометре будет показано давление газа

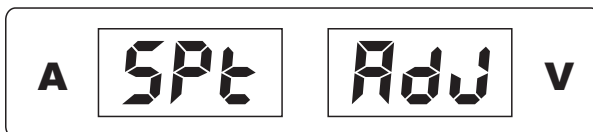
- Поверните газовый регулятор против часовой стрелки. Нажмите на регулятор сварочного напряжения поз.8 на дисплеи появится надпись «GAS ON».



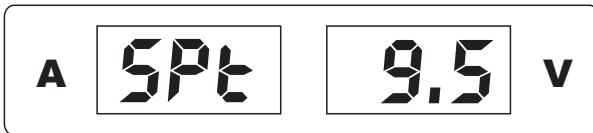
- Нажмите на выключатель горелки и с помощью редуктора отрегулируйте подачу газа в соответствии с техническими требованиями. Для прекращения подачи газа нажмите на регулятор сварочного напряжения поз.8 еще раз, на дисплеи появится надпись «GAS OFF».



- Если технологический процесс сварки требует дополнительной продувки защитного газа в зону сварочного шва, после окончания сварки, необходимо настроить время выполнения этой операции. Для этого нажмите и удерживайте регулятор сварочного напряжения поз.8 до тех пор, пока не появится надпись «SPt ADJ».



Вращая регулятор сварочного напряжения, установите требуемое значение времени продувки защитного газа.



Для выхода из режима настройки нажмите регулятор сварочного напряжения поз.8 тем самым подтвердив выбранное значение.

- Держите выключатель горелки нажатым до тех пор, пока из сопла не появится проволока.

- При подаче проволоки, выпрямите кабель.

- При подаче проволоки убедитесь, что она надежно расположена в канале подающего ролика и скорость подачи равномерная. Если скорость подачи неравномерна, отрегулируйте натяжение подающего ролика.

- Для ускорения протягивания сварочной проволоки через подающий рукав сварочной горелки, нажмите и удерживайте нажатым, регулятор скорости подачи поз.4. При этом скорость подачи будет максимально возможной. Для выхода из режима максимальной скорости подачи проволоки, отпустите регулятор подачи поз.4.

- При сварке стальной проволокой необходимо использовать подающее устройство с V-образной канавкой.

б) Сварка

- Выберите диаметр сварочной проволоки которую будете использовать с помощью кнопки выбора поз.11. Существуют пять возможных вариантов для выбора диаметра: 0,6мм, 0,8мм, 0,9мм, 1,0мм и SPL. В режиме SPL отключаются предварительно установленные на заводе программы подбора сварочного тока и напряжения и оператору необходимо установить эти параметры вручную. Для остальных вариантов в аппарате предварительно установлены оптимальные характеристики сварочного процесса, и необходимо только отрегулировать величину подачи сварочной проволоки для достижения требуемой скорости сварки.
- Вращая регулятор индуктивности поз. 9 можно отрегулировать характер переноса наплавляемого материала в сварочную ванну.
- Выберите способ управления сварочной горелкой кнопкой поз.6. Возможны следующие варианты: 2-х тактный режим, 4-х тактный режим, режим SPOT.
- Выберите свариваемый материал с помощью кнопки поз. 10. Доступен выбор стали или алюминия. При выборе алюминия сварку необходимо производить проволокой диаметром 1.0 мм.
- При выполнении сварки, пожалуйста, отрегулируйте подачу сварочной проволоки в соответствии с требуемой скоростью проведения сварки.
- Нажмите выключатель горелки, подача проволоки будут осуществляться автоматически. Дуга возбуждается, как только проволока касается свариваемого материала. При сварке рабочий индикатор горит.

Описание процесса сварки флюсовой проволокой

а) Регулировка перед проведением сварки

- Измените полярность на вертикальной панели, т.е. подсоедините провод горелки к контакту «-», кабель заземления к контакту «+».
- Установите горелку и сварочную проволоку и затем включите электропитание. Индикатор включения горит и вентилятор работает.
- Держите выключатель горелки нажатым до тех пор, пока из сопла не появится проволока.
- При подаче проволоки, выпрямите кабель.
- При подаче проволоки убедитесь, что проволока надежно расположена в канале подающего ролика и скорость подачи равномерная. Если скорость подачи неравномерна, отрегулируйте натяжение подающего ролика.
- При использовании флюсовой проволоки необходимо использовать подающее устройство с каналом шестеренного типа.

б) Сварка

- При выполнении сварки, пожалуйста, отрегулируйте сварочный ток и сварочное напряжение в соответствии с установками.
- Нажмите выключатель горелки, подача проволоки будет осуществляться автоматически. Дуга возбуждается, как только проволока касается свариваемого материала. При сварке рабочий индикатор горит.

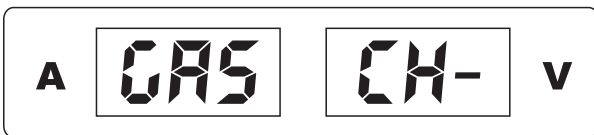
Описание процесса сварки алюминия

а) Регулировка перед проведением сварки

- Смените канал в горелке на тефлоновый.

- Подсоедините горелку, газовый шланг, кабель заземления, газовый баллон с аргоном и затем включите электроснабжение. Индикатор включения горит и вентилятор работает.

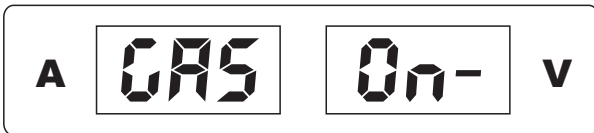
- Выберите вид защитного газа, который будете использовать. Для этого нажмите и удерживайте регулятор сварочного напряжения, поз.8, до тех пор, пока на дисплее появится надпись «GAS CH-».



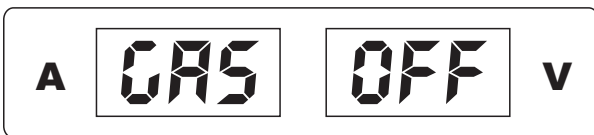
- Вращая регулятор сварочного напряжения и регулятор сварочного тока, выберете тип защитного газа для сварки.

- Отрегулируйте с помощью газового редуктора расход газа.

- Поверните газовый регулятор против часовой стрелки. Нажмите на регулятор сварочного напряжения поз.8 на дисплее появится надпись «GAS ON».



- Нажмите на выключатель горелки и с помощью редуктора отрегулируйте подачу газа в соответствии с техническими требованиями. Для прекращения подачи газа нажмите на регулятор сварочного напряжения поз.8 еще раз, на дисплее появится надпись «GAS OFF».



- Держите выключатель горелки нажатым до тех пор, пока из сопла не появится проволока.

- При подаче проволоки, выпрямите кабель.

- При подаче проволоки убедитесь, что проволока надежно расположена в канале подающего ролика и скорость подачи равномерная. Если скорость подачи неравномерна, отрегулируйте натяжение подающего ролика.

- При использовании алюминиевой проволоки необходимо использовать подающее устройство с U-образной канавкой.

б) Сварка

- Выберите свариваемый материал с помощью кнопки поз. 10.

- Выберите диаметр сварочной проволоки. При выборе алюминия сварку необходимо производить проволокой диаметром 1.0 мм и использовать чистый Ar.

- При выполнении сварки, отрегулируйте сварочный ток и сварочное напряжение в соответствии с установками.

- Вращая регулятор индуктивности поз. 9 можно отрегулировать характер переноса наплавляемого материала в сварочную ванну.

- Нажмите выключатель горелки, подача проволоки будет осуществляться автоматически.

Дуга возбуждается, как только проволока касается свариваемого материала. При сварке рабочий индикатор горит.

Описание процесса ММА сварки

а) Регулировка перед проведением сварки

- Установите режим сварки ММА.
- Отрегулируйте сварочный ток.

б) Сварка

- Возьмите электрододержатель, установите электрод, коснитесь электродом свариваемого материала для возбуждения дуги. При сварке рабочий индикатор горит.

Описание процесса TIG сварки

а) Регулировка перед сваркой

- Установите режим сварки TIG.
- Подключите сварочную горелку к зажиму «-», а зажим заземления к «+».
- Отрегулируйте сварочный ток.

б) Сварка

- Для возбуждения сварочной дуги, коснитесь электродом свариваемый материал и затем поднимите электрод. При сварке рабочий индикатор горит.

8. Техническое обслуживание

В отличие от стандартного сварочного аппарата, данный сварочный аппарат является усовершенствованным, в котором используются современные электронные компоненты и совершенная технология. Поэтому проведение технического обслуживания такого аппарата следует проводить только квалифицированному персоналу. Однако, в силу того, что в данном аппарате присутствует очень малое количество быстро изнашиваемых деталей, он не требует проведения регулярного сервисного обслуживания, за исключением очистки. Отвечать за выполнение данной работы могут только квалифицированные работники. Мы настоятельно рекомендуем покупателям в случае возникновения проблем, которые они неспособны решить собственными силами обращаться к нам для получения технической поддержки.

- У нового сварочного аппарата или аппарата, который не использовался в течение некоторого времени, необходимо проверить сопротивление изоляции между каждой обмоткой, которое не должно быть менее 2,5 МОм.

- Защищайте аппарат от дождя, снега и длительного воздействия солнечного света при использовании на улице.

- Если сварочный аппарат не используется долгое время, его следует хранить при температуре от -25°C до +55°C и относительная влажность не может быть более 90%.

- Профессиональный работник сервисной службы должен регулярно очищать сварочный аппарат от пыли сжатым сухим воздухом (воздушный компрессор или другое подобное устройство). Детали склонные к замасливанию должны очищаться тряпкой и одновременно можно также проводить осмотр на наличие неплотно закрепленных деталей внутри аппарата. В случае обнаружения скопления пыли необходима немедленная очистка. В нормальных условиях очистку необходимо проводить только один раз в год. В случае чрезмерного пылеобразования очистку следует проводить раз в квартал.

- Необходимо регулярно проверять входные и выходные кабели сварочного аппарата, для того, чтобы гарантировать их правильное и прочное соединение. Проверку необходимо проводить один раз в месяц и каждый раз перед тем как убирать аппарат на хранение.

- Регулярно проводите проверку герметичности системы газа, не наблюдается ли у вентилятора или двигателя подающего устройства ненормальных шумов и нет ли неплотных соединений.
- Регулярно очищайте сопло и пруток при помощи специальной мази для удаления расплавленного металла. Не снимайте подающее устройство, потянув за кабель горелки.
- Используйте только качественную проволоку. Никогда не используйте ржавую проволоку или проволоку плохого качества.
- Счищайте пыль с роликового канала сжатым воздухом после длительного использования сварочного аппарата. (Накапливание пыли происходит из-за трения между проволокой и роликом и удалять ее необходимо для того, чтобы обеспечить ровную подачу проволоки).
- Для ровной подачи проволоки не рекомендуется слишком плотно прижимать ролик. (Слишком плотное прижатие приведет к деформации проволоки, увеличению сопротивления при подаче и увеличению трения механизма).

ВНИМАНИЕ:

- При проведении очистки аппарата, следует принять все меры предосторожности, чтобы избежать случайного удара электрическим током. Неквалифицированным работникам запрещено открывать корпус аппарата!
- Перед проведением очистки от пыли необходимо отключить источник питания.
- Никогда не перегибайте провода и не повреждайте детали при проведении очистки.

9. Неисправности и их устранение

НЕИСПРАВНОСТЬ	ПРИЧИНА	УСТРАНЕНИЕ
Горит желтый индикатор	Напряжение слишком высоко ($\geq 15\%$)	Отключите электропитание. Проверьте сеть. Повторно запустите сварочный аппарат когда напряжение достигнет нормального уровня
	Напряжение слишком низкое ($\leq 15\%$)	
	Плохая вентиляция привела к срабатыванию защиты от перегрева	Улучшите условия вентиляции аппарата
	Температура окружающей среды слишком высока	При понижении температуры индикатор автоматически погаснет
	Использование сверх рабочего цикла	
Двигатель устройства для подачи проволоки не работает	Сломан регулятор	Замените регулятор
	Сопло заблокировано	Замените сопло
	Подающий ролик неплотно закреплен	Затяните болты
Вентилятор охлаждения не работает или вращается слишком медленно	Выключатель сломан	Замените выключатель
	Вентилятор сломан	Замените или отремонтируйте вентилятор
	Поврежден или ослаб провод	Проверьте соединение
Дуга не стабильна и наблюдается большое количество брызг	Слишком большой контактный наконечник делает сварочный ток нестабильным	Замените контактный наконечник на подходящий
	Слишком тонкий сетевой кабель делает мощность нестабильной	Замените сетевой кабель
	Слишком низкое входное напряжение	Увеличьте входное напряжение
	Сопротивление подачи проволоки слишком велико	Очистите или замените направляющий канал в горелке

НЕИСПРАВНОСТЬ	ПРИЧИНА	УСТРАНЕНИЕ
Дуга не возбуждается	Поврежден кабель заземления	Подсоедините кабель заземления
	Место сварки покрыто ржавчиной или сильно загрязнено	Зачистите место сварки и обезжирьте его
Отсутствие защитного газа	Плохо подсоединена горелка	Проверьте соединение горелки с аппаратом
	Газовый шланг зажат или заблокирован	Проверьте систему подачи газа
	Поврежден газовый шланг	
Другое		Обратитесь в сервисный центр

10. Комплектация

Инверторный аппарат - 1 шт
 Сертификат - 1 шт
 Руководство по эксплуатации - 1 шт
 Кабель электрододержателя - 1 шт
 Кабель заземления (с зажимом заземления) - 1 шт
 Газовый шланг - 1 шт
 Хомут для газового шланга - 1 шт
 Сменный ролик 0,8/1,0мм - 1 шт

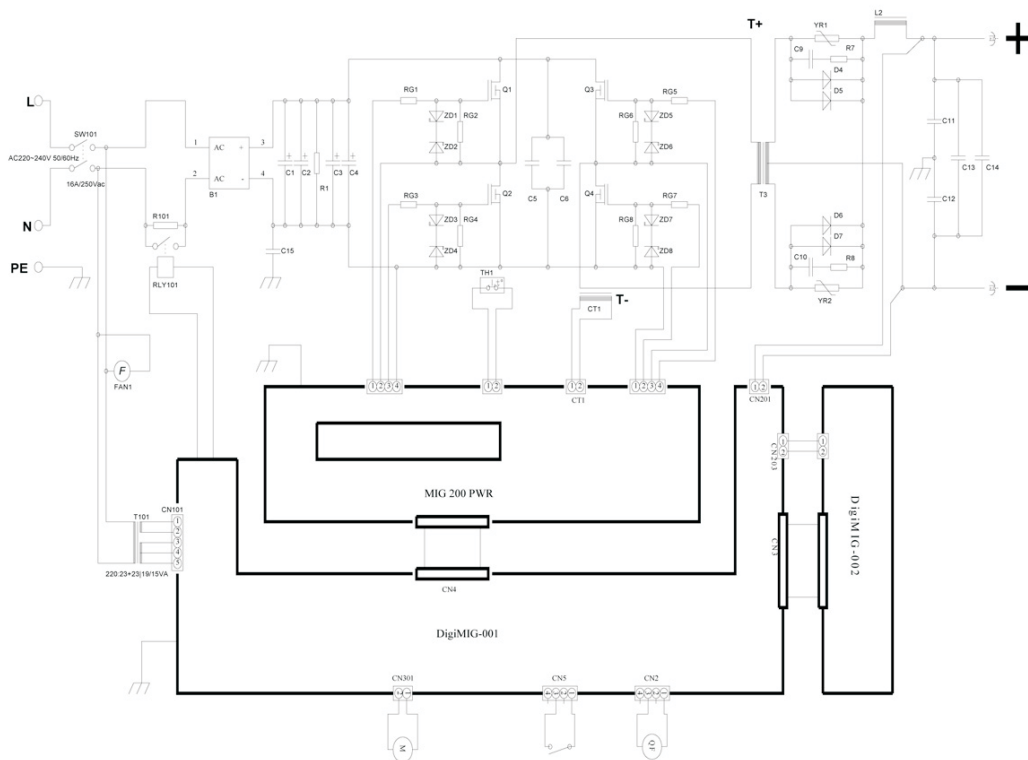
11. Хранение и транспортировка

- Аппарат следует беречь от попадания воды и снега. Обратите внимание на обозначения на упаковке. Тара для хранения должна быть сухой и со свободной циркуляцией воздуха и без наличия коррозионного газа или пыли. Диапазон допускаемых температур от -25°C до +55°C, и относительная влажность не более 90%.

- После того, как упаковка была открыта, рекомендуется для дальнейшего хранения и транспортировки переупаковать аппарат. (Перед хранением рекомендуется провести очистку и запечатать пластиковый пакет, в который необходимо поместить аппарат перед помещением в коробку).

- У пользователей должны быть всегда в наличии упаковочные материалы для хранения аппарата. Если машина будет перемещаться во время транспортировки, тогда необходим деревянный ящик. На ящик необходимо поместить надпись «LIFT» или «Предохранять от дождя».

12. Схема электрическая принципиальная



13. Гарантийные обязательства

Гарантийный срок на оборудование указывается в прилагаемом сервисном талоне.

Гарантия относится к дефектам в материалах и узлах и не распространяется на компоненты, подверженные естественному износу и работы по техническому обслуживанию.

Гарантийному ремонту подлежат только очищенные от пыли и грязи аппараты в заводской упаковке, полностью укомплектованные, имеющие инструкцию по эксплуатации, гарантийный талон с указанием даты продажи, при наличии штампа магазина, заводского номера и оригиналов товарного и кассового чеков, выданных продавцом.

В течение гарантийного срока Сервисный центр устраняет за свой счёт выявленные производственные дефекты. Производитель снимает свои гарантийные обязательства и юридическую ответственность при несоблюдении потребителем инструкций по эксплуатации, самостоятельной разборки, ремонта и технического обслуживания аппарата, а также не несет никакой ответственности за причиненные травмы и нанесенный ущерб.

Горячая линия FUBAG
тел.: (495) 641-31-31

info@fubag.ru
www.fubag.ru

