

Thank you for choosing Humminbird™, America's #1 name in fishfinders. Humminbird™ has built its reputation by designing and manufacturing top-quality, thoroughly reliable marine equipment. Your Humminbird™ is designed for trouble-free use in even the harshest marine environment. In the unlikely event that your Humminbird™ does require repairs, we offer an exclusive Service Policy-free of charge during the first year after purchase, and available at a reasonable rate after the one-year period. For complete details, see the warranty section in this manual. We encourage you to read this operators manual carefully in order to get full benefit from all the features and applications of your Humminbird™ product.

Contact our Customer Resource Center at 1-800-633-1468 or visit our website at www.humminbird.com.

The 100 Series™ Fishin' Buddy® comes in four models:

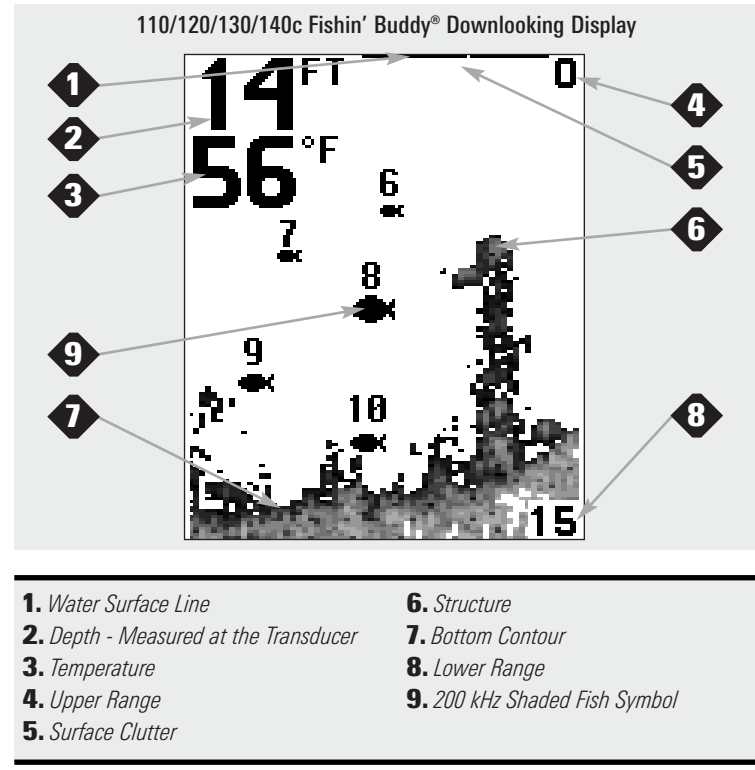
- **110 Fishin' Buddy™** - Downlooking Sonar, 160 V x 128 H Display
- **120 Fishin' Buddy™** - Downlooking and SideFinder™ Sonar, 240 V x 160 H Display
- **130 Fishin' Buddy™** - Downlooking and SideFiding™ Sonar, 320 V x 240 H Display
- **140c Fishin' Buddy™** - Downlooking and SideFiding™ Sonar, Transfactive Color 320 V x 240 H Display.

WARNING! This device should not be used as a navigational aid to prevent collision, grounding, boat damage, or personal injury. When the boat is moving, water depth may change too quickly to allow time for you to react. Always operate the boat at very slow speeds if you suspect shallow water or submerged objects.

WARNING! Remove the Fishin' Buddy™ from the mounting bracket support arm ring when the boat is traveling. Use the Fishin' Buddy™ at trolling speed only. Traveling at high speed with the Fishin' Buddy™ attached can cause damage to the device.

CAUTION: Do not handle the bottom of the transducer while it is transmitting sonar. Prolonged contact with the transducer element can cause physical discomfort or minor tissue damage.

CAUTION: Do not over-tighten the C-clamp. Turning the C-clamp knob more than recommended may cause permanent damage. See the instructions for Attaching the Fishin' Buddy™ Mounting Bracket to the Boat.



What You See on the SideFiding™ Display

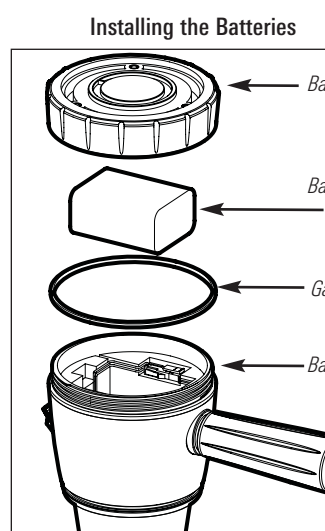
Cone - The transducer cone graph on the screen represents the area in which the 100 Series™ Fishin' Buddy™ is searching for fish.

Fish - The symbols displayed in the graph shows where the Fishin' Buddy™ has marked fish. Even though a fish may quickly move out of the transducer beam, all fish symbols are displayed for at least five seconds. The symbol does not indicate the size of the fish.

2. Installing the Batteries

Use this procedure to install the batteries and attach the battery cap (including gasket). The Fishin' Buddy™ requires six alkaline "AA" size batteries (not included) for operation.

CAUTION: Always remove discharged batteries promptly and before periods of storage to prevent potential damage due to battery acid leakage. Failure to do so may void your warranty.

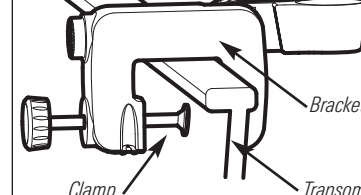


3. Attaching the Control Head to the Fishin' Buddy™

Use this procedure to attach the control head to the top of the battery cap (once you have replaced/installed the batteries).

You will need to assemble the control head mounting bracket as part of this procedure.

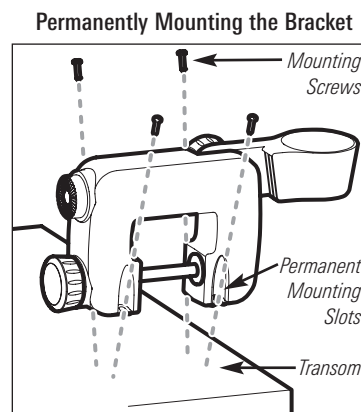
Attaching the C-Clamp to the Transom



Tighten the C-clamp by turning the knob lightly by hand. The knob will stop turning when the clamp touches the transom. Then, turn the knob up to two full additional revolutions. If the mounting bracket is not stable after tightening by hand, try repositioning the bracket.

CAUTION: Do not over-tighten the C-clamp. Tightening the C-clamp more than the recommended two revolutions may cause permanent damage.

OR...



If you are using the permanent mounting technique, use the four permanent mounting slots at the base of the mounting bracket as a drill guide, and drill four 7/64" pilot holes into the mounting surface you have selected. Apply a generous amount of marine-grade silicone sealant to the holes, then re-position the mounting bracket, and attach it to the boat using #10 wood screws or bolts (not included). **Hand tighten only!**

Light

(Setting Not Saved in Memory)

Press the POWER-MENU key until LIGHT appears. Use the backlight for night fishing. Select either 0 (Off), or 1 through 5 to activate the backlight at the desired level. (0 to 5, Default = 0)

NOTE: Continuous backlight operation will significantly decrease the battery life for the Fishin' Buddy™.

Sensitivity

(Setting Saved in Memory)

Press the POWER-MENU key until SENSITIVITY appears. Sensitivity controls how much detail is shown on the display. Increasing the sensitivity shows more sonar returns from small baitfish and suspended debris in the water; however, the display may become too cluttered. When operating in very clear water or greater depths, increased sensitivity shows weak returns that may be of interest. Decreasing the sensitivity eliminates the clutter from the display that is sometimes present in murky or muddy water. If Sensitivity is adjusted too low, the display may not show many sonar returns that could be fish. (0 – 10, Default = 5)

NOTE: This menu item only affects the Downlooking Sonar Beam.

Depth Range

(Setting Not Saved in Memory)

Press the POWER-MENU key until DEPTH RANGE appears. Automatic is the default setting. When in automatic, the lower range will be adjusted by the unit to follow the bottom. (Auto, 15, 30, 60, 120, 240; Default = Auto)

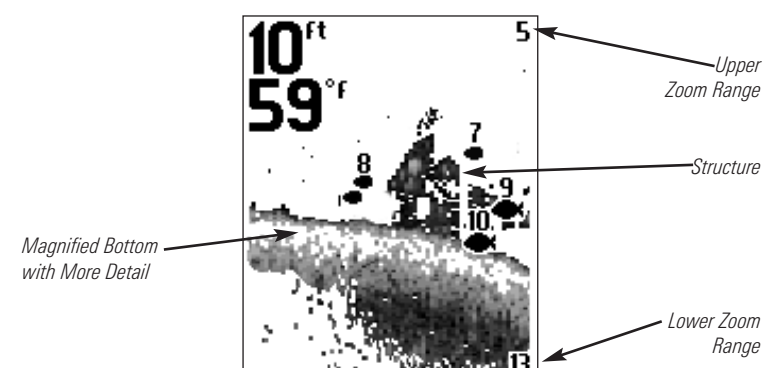
NOTE: In manual operation, if the depth is greater than the depth range setting, the bottom will not be visible on the display. Select AUTO to return to automatic operation.

NOTE: This menu item only affects the Downlooking Sonar Beam.

ZOOM

(Setting Not Saved in Memory)

Press the POWER-MENU key until ZOOM appears. Select Auto to magnify the area around the bottom in order to reveal fish and structure close to the bottom that may not be visible during normal operation. When ZOOM is set to Auto, the upper and lower Depth Ranges are automatically adjusted to keep the area above and below the bottom on the display. Select Off to return to normal operation. (Off, Auto, Manual Ranges, Default = Off)



There is also a series of manual ranges which can be selected. The manual depth ranges are determined by the present depth conditions, and are displayed in increments of 7, based on current depth conditions.

NOTE: This menu item only affects the Downlooking Sonar Beam.

Chart Speed

(Setting Saved in Memory)

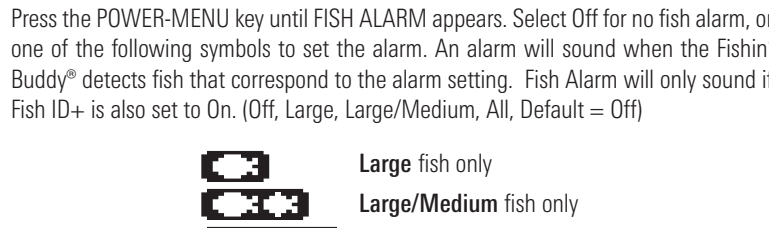
Press the POWER-MENU key until CHART SPEED appears. Select a setting from 1-5 to increase or decrease the chart speed, where 1 is the slowest and 5 is the fastest chart speed. Chart speed determines the speed at which the sonar information moves across the display, and consequently the amount of detail shown. A faster speed shows more information and is preferred by most anglers; however, the sonar information moves across the display quickly. A slower speed keeps the information on the display longer, but the bottom and fish details become compressed and may be difficult to interpret. (1 to 5, Default = 5)

NOTE: This menu item only affects the Downlooking Sonar Beam.

Fish Alarm

(Setting Saved in Memory)

Press the POWER-MENU key until FISH ALARM appears. Select Off for no fish alarm, or one of the following symbols to set the alarm. An alarm will sound when the Fishin' Buddy™ detects fish that correspond to the alarm setting. Fish Alarm will only sound if Fish ID+ is also set to On. (Off, Large, Large/Medium, All, Default = Off)



NOTE: This menu item only affects the Downlooking Sonar Beam.

NOTE: The Fish Alarm will only sound for fish detected in the Downlooking Sonar Beam.

Depth Alarm

(Setting Not Saved in Memory)

Press the POWER-MENU key until DEPTH ALARM appears. Select Off for no Depth Alarm, or select 3 to 99 feet to set the alarm depth. An audible alarm sounds when the depth is equal to or less than the setting. (Off, 3 to 99 feet, Default = Off)

NOTE: This menu item only affects the Downlooking Sonar Beam.

Filter

(Setting Saved in Memory)

Press the POWER-MENU key until FILTER appears. Select either Off or On. Filter adjusts the sonar filter to limit interference on the display from sources such as your boat engine, turbulence, or other sonar devices. (On, Off, Default = Off)

NOTE: This menu choice only affects the Downlooking Sonar Beam.

SetUp Menu

(Setting Not Saved in Memory)

Press the POWER-MENU key until SetUp appears. Select either Off or On. (Off, On, Default = Off)

When you choose SetUp, additional menu choices will be available that are not a part of the Main Menu System. After selecting SetUp, press the POWER-MENU key to display the SetUp menu choices, one at a time. SetUp Menu choices include:

- Contrast
- Battery Alarm
- Fish ID+™
- Language (International only)
- Bottom View
- Units (International only)

Scroll through all SetUp menu choices to exit the SetUp menu.

Contrast (SetUp Menu)

(Setting Saved in Memory; Menu is only Available on Monochrome Models)

Make sure that the SetUp menu is selected, then press the POWER-MENU key until CONTRAST appears. Select a setting from 1 through 5. (1 to 5, Default = 3)

Scroll through all SetUp menu choices to exit the SetUp menu.

NOTE: The Contrast Menu is only available on Monochrome models.

Fish ID+™ (SetUp Menu)

(Setting Saved in Memory)

Make sure that the SetUp menu is selected, then press the POWER-MENU key until FISH ID+™ appears. Select either Off to view "raw" sonar returns or On to view Fish symbols. Fish ID+™ uses advanced signal processing to interpret sonar returns, and will display a Fish Symbol when very selective requirements are met. A select number of possible fish returns will be displayed with their associated depth. (On, Off, Default = On)

Scroll through all SetUp menu choices to exit the SetUp menu.



NOTE: This menu item only affects the Downlooking Sonar Beam.

Bottom View (SetUp Menu)

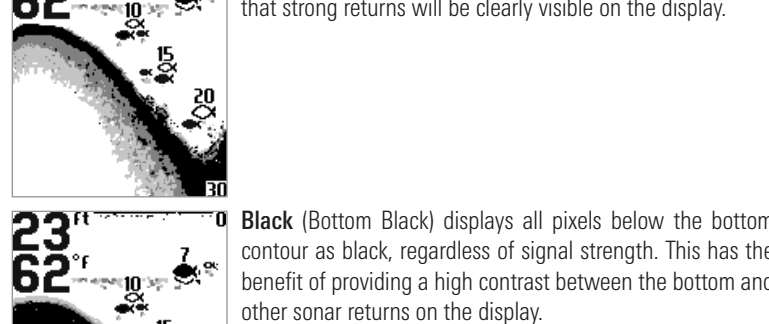
(Setting Saved in Memory)

Press the POWER-MENU key until BOTTOM VIEW appears. Bottom View selects the method used to represent the bottom and structure on the display. (Monochrome Model Menu Choices: Structure ID, Black, WhiteLine, Inverse, Default = Inverse) (Color Model Menu Choices: Structure ID, WhiteLine, Default = Structure ID)

Make sure that the SetUp menu is selected, then press the POWER-MENU key until BOTTOM VIEW appears. Bottom View selects the method used to represent the bottom and structure on the display. (Monochrome Model Menu Choices: Structure ID, Black, WhiteLine, Inverse, Default = Inverse) (Color Model Menu Choices: Structure ID, WhiteLine, Default = Structure ID)

Scroll through all SetUp menu choices to exit the SetUp menu.

Structure ID™ represents weak returns as light pixels and strong returns as dark pixels. This has the benefit of ensuring that strong returns will be clearly visible on the display.



Black (Bottom Black) displays all pixels below the bottom contour as black, regardless of signal strength. This has the benefit of providing a high contrast between the bottom and other sonar returns on the display.

NOTE: Not available on Color Models.

WhiteLine™ highlights the strongest sonar returns in white resulting in a distinctive outline. This has the benefit of clearly defining the bottom on the display.

Inverse is a method where weak returns are shown with dark pixels and strong returns with lighter pixels. This has the benefit of ensuring that weak signals will be clearly visible on the display.

NOTE: Not available on Color Models.

SideFinder™ Range

(Setting Saved in Memory; Downlooking and SideFinder™ Sonar Units only)

Press the POWER-MENU key until SIDEFINDER Range appears. Select the desired range for the SideFinder™ beam. (30, 60, 90, 120, Default = 30)

Press the POWER-MENU key until SIDEFINDER Range appears. Select the desired range for the SideFinder™ beam. (30, 60, 90, 120, Default = 30)

Press the POWER-MENU key until SIDEFINDER Range appears. Select the desired range for the SideFinder™ beam. (30, 60, 90, 120, Default = 30)

SideFinder™ Filter

(Setting Saved in Memory; Downlooking and SideFinder™ Sonar Units only)

Press the POWER-MENU key until SIDEFINDER Filter appears. The sidefinder filter is used to reduce false markings from submerged objects like pier poles and submerged branches. The filter is best used around docks and other shoreline structures where false markings might occur. In most situations, and especially in open water, the best performance is obtained with the filter turned off. Select either Off or On. (Off, On, Default = Off)

Press the POWER-MENU key until SIDEFINDER Filter appears. The sidefinder filter is used to reduce false markings from submerged objects like pier poles and submerged branches. The filter is best used around docks and other shoreline structures where false markings might occur. In most situations, and especially in open water, the best performance is obtained with the filter turned off. Select either Off or On. (Off, On, Default = Off)

Press the POWER-MENU key until SIDEFINDER Filter appears. The sidefinder filter is used to reduce false markings from submerged objects like pier poles and submerged branches. The filter is best used around docks and other shoreline structures where false markings might occur. In most situations, and especially in open water, the best performance is obtained with the filter turned off. Select either Off or On. (Off, On, Default = Off)

Press the POWER-MENU key until SIDEFINDER Filter appears. The sidefinder filter is used to reduce false markings from submerged objects like pier poles and submerged branches. The filter is best used around docks and other shoreline structures where false markings might occur. In most situations, and especially in open water, the best performance is obtained with the filter turned off. Select either Off or On. (Off, On, Default = Off)

Press the POWER-MENU key until SIDEFINDER Filter appears. The sidefinder filter is used to reduce false markings from submerged objects like pier poles and submerged branches. The filter is best used around docks and other shoreline structures where false markings might occur. In most situations, and especially in open water, the best performance is obtained with the filter turned off. Select either Off or On. (Off, On, Default = Off)

Press the POWER-MENU key until SIDEFINDER Filter appears. The sidefinder filter is used to reduce false markings from submerged objects like pier poles and submerged branches. The filter is best used around docks and other shoreline structures where false markings might occur. In most situations, and especially in open water, the best performance is obtained with the filter turned off. Select either Off or On. (Off, On, Default = Off)

Press the POWER-MENU key until SIDEFINDER Filter appears. The sidefinder filter is used to reduce false markings from submerged objects like pier poles and submerged branches. The filter is best used around docks and other shoreline structures where false markings might occur. In most situations, and especially in open water, the best performance is obtained with the filter turned off. Select either Off or On. (Off, On, Default = Off)

Press the POWER-MENU key until SIDEFINDER Filter appears. The sidefinder filter is used to reduce false markings from submerged objects like pier poles and submerged branches. The filter is best used around docks and other shoreline structures where false markings might occur. In most situations, and especially in open water, the best performance is obtained with the filter turned off. Select either Off or On. (Off, On, Default = Off)

Press the POWER-MENU key until SIDEFINDER Filter appears. The sidefinder filter is used to reduce false markings from submerged objects like pier poles and submerged branches. The filter is best used around docks and other shoreline structures where false markings might occur. In most situations, and especially in open water, the best performance is obtained with the filter turned off. Select either Off or On. (Off, On, Default = Off)

Press the POWER-MENU key until SIDEFINDER Filter appears. The sidefinder filter is used to reduce false markings from submerged objects like pier poles and submerged branches. The filter is best used around docks and other shoreline structures where false markings might occur. In most situations, and especially in open water, the best performance is obtained with the filter turned off. Select either Off or On. (Off, On, Default = Off)

Press the POWER-MENU key until SIDEFINDER Filter appears. The sidefinder filter is used to reduce false markings from submerged objects like pier poles and submerged branches. The filter is best used around docks and other shoreline structures where false markings might occur. In most situations, and especially in open water, the best performance is obtained with the filter turned off. Select either Off or On. (Off, On, Default = Off)

Press the POWER-MENU key until SIDEFINDER Filter appears. The sidefinder filter is used to reduce false markings from submerged objects like pier poles and submerged branches. The filter is best used around docks and other shoreline structures where false markings might occur. In most situations, and especially in open water, the best performance is obtained with the filter turned off. Select either Off or On. (Off, On, Default = Off)

Press the POWER-MENU key until SIDEFINDER Filter appears. The sidefinder filter is used to reduce false markings from submerged objects like pier poles and submerged branches. The filter is best used around docks and other shoreline structures where false markings might occur. In most situations, and especially in open water, the best performance is obtained with the filter turned off. Select either Off or On. (Off, On, Default = Off)

Press the POWER-MENU key until SIDEFINDER Filter appears. The sidefinder filter is used to reduce false markings from submerged objects like pier poles and submerged branches. The filter is best used around docks and other shoreline structures where false markings might occur. In most situations, and especially in open water, the best performance is obtained with the filter turned off. Select either Off or On. (Off, On, Default = Off)

Press the POWER-MENU key until SIDEFINDER Filter appears. The sidefinder filter is used to reduce false markings from submerged objects like pier poles and submerged branches. The filter is best used around docks and other shoreline structures where false markings might occur. In most situations, and especially in open water, the best performance is obtained with the filter turned off. Select either Off or On. (Off, On, Default = Off)

Press the POWER-MENU key until SIDEFINDER Filter appears. The sidefinder filter is used to reduce false markings from submerged objects like pier poles and submerged branches. The filter is best used around docks and other shoreline structures where false markings might occur. In most situations, and especially in open water, the best performance is obtained with the filter turned off. Select either Off or On. (Off, On, Default = Off)

Press the POWER-MENU key until SIDEFINDER Filter appears. The sidefinder filter is used to reduce false markings from submerged objects like pier poles and submerged branches. The filter is best used around docks and other shoreline structures where false markings might occur. In most situations, and especially in open water, the best performance is obtained with the filter turned off. Select either Off or On. (Off, On, Default = Off)

Press the POWER-MENU key until SIDEFINDER Filter appears. The sidefinder filter is used to reduce false markings from submerged objects like pier poles and submerged branches. The filter is best used around docks and other shoreline structures where false markings might occur. In most situations, and especially in open water, the best performance is obtained with the filter turned off. Select either Off or On. (Off, On, Default = Off)

Press the POWER-MENU key until SIDEFINDER Filter appears. The sidefinder filter is used to reduce false markings from submerged objects like pier poles and submerged branches. The filter is best used around docks and other shoreline structures where false markings might occur. In most situations, and especially in open water, the best performance is obtained with the filter turned off. Select either Off or On. (Off, On, Default = Off)

Press the POWER-MENU key until SIDEFINDER Filter appears. The sidefinder filter is used to reduce false markings from submerged objects like pier poles and submerged branches. The filter is best used around docks and other shoreline structures where false markings might occur. In most situations, and especially in open water, the best performance is obtained with the filter turned off. Select either Off or On. (Off, On, Default = Off)

Press the POWER-MENU key until SIDEFINDER Filter appears. The sidefinder filter is used to reduce false markings from submerged objects like pier poles and submerged branches. The filter is best used around docks and other shoreline structures where false markings might occur. In most situations, and especially in open water, the best performance is obtained with the filter turned off. Select either Off or On. (Off, On, Default = Off)

Press the POWER-MENU key until SIDEFINDER Filter appears. The sidefinder filter is used to reduce false markings from submerged objects like pier poles and submerged branches. The filter is best used around docks and other shoreline structures where false markings might occur. In most situations, and especially in open water, the best performance is obtained with the filter turned off. Select either Off or On. (Off, On, Default = Off)

Press the POWER-MENU key until SIDEFINDER Filter appears. The sidefinder filter is used to reduce false markings from submerged objects like pier poles and submerged branches. The filter is best used around docks and other shoreline structures where false markings might occur. In most situations, and especially in open water, the best performance is obtained with the filter turned off. Select either Off or On. (Off, On, Default = Off)

Press the POWER-MENU key until SIDEFINDER Filter appears. The sidefinder filter is used to reduce false markings from submerged objects like pier poles and submerged branches. The filter is best used around docks and other shoreline structures where false markings might occur. In most situations, and especially in open water, the best performance is obtained with the filter turned off. Select either Off or On. (Off, On, Default = Off)

Press the POWER-MENU key until SIDEFINDER Filter appears. The sidefinder filter is used to reduce false markings from submerged objects like pier poles and submerged branches. The filter is best used around docks and other shoreline structures where false markings might occur. In most situations, and especially in open water, the best performance is obtained with the filter turned off. Select either Off or On. (Off, On, Default = Off)

Press the POWER-MENU key until SIDEFINDER Filter appears. The sidefinder filter is used to reduce false markings from submerged objects like pier poles and submerged branches. The filter is best used around docks and other shoreline structures where false markings might occur. In most situations, and especially in open water, the best performance is obtained with the filter turned off. Select either Off or On. (Off, On, Default = Off)

Press the POWER-MENU key until SIDEFINDER Filter appears. The sidefinder filter is used to reduce false markings from submerged objects like pier poles and submerged branches. The filter is best used around docks and other shoreline structures where false markings might occur. In most situations, and especially in open water, the best performance is obtained with the filter turned off. Select either Off or On. (Off, On, Default = Off)

Press the POWER-MENU key until SIDEFINDER Filter appears. The sidefinder filter is used to reduce false markings from submerged objects like pier poles and submerged branches. The filter is best used around docks and other shoreline structures where false markings might occur. In most situations, and especially in open water, the best performance is obtained with the filter turned off. Select either Off or On. (Off, On, Default = Off)

Press the POWER-MENU key until SIDEFINDER Filter appears. The sidefinder filter is used to reduce false markings from submerged objects like pier poles and submerged branches. The filter is best used around docks and other shoreline structures where false markings might occur. In most situations, and especially in open water, the best performance is obtained with the filter turned off. Select either Off or On. (Off, On, Default = Off)

Press the POWER-MENU key until SIDEFINDER Filter appears. The sidefinder filter is used to reduce false markings from submerged objects like pier poles and submerged branches. The filter is best used around docks and other shoreline structures where false markings might occur. In most situations, and especially in open water, the best performance is obtained with the filter turned off. Select either Off or On. (Off, On, Default = Off)

Press the POWER-MENU key until SIDEFINDER Filter appears. The sidefinder filter is used to reduce false markings from submerged objects like pier poles and submerged branches. The filter is best used around docks and other shoreline structures where false markings might occur. In most situations, and especially in open water, the best performance is obtained with the filter turned off. Select either Off or On. (Off, On, Default = Off)

Press the POWER-MENU key until SIDEFINDER Filter appears. The sidefinder filter is used to reduce false markings from submerged objects like pier poles and submerged branches. The filter is best used around docks and other shoreline structures where false markings might occur. In most situations, and especially in open water, the best performance is obtained with the filter turned off. Select either Off or On. (Off, On, Default = Off)

Press the POWER-MENU key until SIDEFINDER Filter appears. The sidefinder filter is used to reduce false markings from submerged objects like pier poles and submerged branches. The filter is best used around docks and other shoreline structures where false markings might occur. In most situations, and especially in open water, the best performance is obtained with the filter turned off. Select either Off or On. (Off, On, Default = Off)

Press the POWER-MENU key until SIDEFINDER Filter appears. The sidefinder filter is used to reduce false markings from submerged objects like pier poles and submerged branches. The filter is best used around docks and other shoreline structures where false markings might occur. In most situations, and especially in open water, the best performance is obtained with the filter turned off. Select either Off or On. (Off, On, Default = Off)

Press the POWER-MENU key until SIDEFINDER Filter appears. The sidefinder filter is used to reduce false markings from submerged objects like pier poles and submerged branches. The filter is best used around docks and other shoreline structures where false markings might occur. In most situations, and especially in open water, the best performance is obtained with the filter turned off. Select either Off or On. (Off, On, Default = Off)

Press the POWER-MENU key until SIDEFINDER Filter appears. The sidefinder filter is used to reduce false markings from submerged objects like pier poles and submerged branches. The filter is best used around docks and other shoreline structures where false markings might occur. In most situations, and especially in open water, the best performance is obtained with the filter turned off. Select either Off or On. (Off, On, Default = Off)

Press the POWER-MENU key until SIDEFINDER Filter appears. The sidefinder filter is used to reduce false markings from submerged objects like pier poles and submerged branches. The filter is best used around docks and other shoreline structures where false markings might occur. In most situations, and especially in open water, the best performance is obtained with the filter turned off. Select either Off or On. (Off, On, Default = Off)

Press the POWER-MENU key until SIDEFINDER Filter appears. The sidefinder filter is used to reduce false markings from submerged objects like pier poles and submerged branches. The filter is best used around docks and other shoreline structures where false markings might occur. In most situations, and especially in open water, the best performance is obtained with the filter turned off. Select either Off or On. (Off, On, Default = Off)

Press the POWER-MENU key until SIDEFINDER Filter appears. The sidefinder filter is used to reduce false markings from submerged objects like pier poles and submerged branches. The filter is best used around docks and other shoreline structures where false markings might occur. In most situations, and especially in open water, the best performance is obtained with the filter turned off. Select either Off or On. (Off, On, Default = Off)

Press the POWER-MENU key until SIDEFINDER Filter appears. The sidefinder filter is used to reduce false markings from submerged objects like pier poles and submerged branches. The filter is best used around docks and other shoreline structures where false markings might occur. In most situations, and especially in open water, the best performance is obtained with the filter turned off. Select either Off or On. (Off, On, Default = Off)

Press the POWER-MENU key until SIDEFINDER Filter appears. The sidefinder filter is used to reduce false markings from submerged objects like pier poles and submerged branches. The filter is best used around docks and other shoreline structures where false markings might occur. In most situations, and especially in open water, the best performance is obtained with the filter turned off. Select either Off or On. (Off, On, Default = Off)

Press the POWER-MENU key until SIDEFINDER Filter appears. The sidefinder filter is used to reduce false markings from submerged objects like pier poles and submerged branches. The filter is best used around docks and other shoreline structures where false markings might occur. In most situations, and especially in open water, the best performance is obtained with the filter turned off. Select either Off or On. (Off, On, Default = Off)

Press the POWER-MENU key until SIDEFINDER Filter appears. The sidefinder filter is used to reduce false markings from submerged objects like pier poles and submerged branches. The filter is best used around docks and other shoreline structures where false markings might occur. In most situations, and especially in open water, the best performance is obtained with the filter turned off. Select either Off or On. (Off, On, Default = Off)

Press the POWER-MENU key until SIDEFINDER Filter appears. The sidefinder filter is used to reduce false markings from submerged objects like pier poles and submerged branches. The filter is best used around docks and other shoreline structures where false markings might occur. In most situations, and especially in open water, the best performance is obtained with the filter turned off. Select either Off or On. (Off, On, Default = Off)

Press the POWER-MENU key until SIDEFINDER Filter appears. The sidefinder filter is used to reduce false markings from submerged objects like pier poles and submerged branches. The filter is best used around docks and other shoreline structures where false markings might occur. In most situations, and especially in open water, the best performance is obtained with the filter turned off. Select either Off or On. (Off, On, Default = Off)

Press the POWER-MENU key until SIDEFINDER Filter appears. The sidefinder filter is used to reduce false markings from submerged objects like pier poles and submerged branches. The filter is best used around docks and other shoreline structures where false markings might occur. In most situations, and especially in open water, the best performance is obtained with the filter turned off. Select either Off or On. (Off, On, Default = Off)

WARNING! Disassembly and repair of this electronic unit should only be performed by authorized service personnel. Any modification of the serial number or attempt to repair the original equipment or accessories by unauthorized individuals will void the warranty. Handling and/or opening this unit may result in exposure to lead and other toxic materials.

WARNING! This product contains lead, a chemical known to the state of California to cause cancer, both defects and other reproductive harm.

POLICY ON ENVIRONMENTAL COMPLIANCE: It is the intention of Humminbird™ to be a good corporate citizen and comply and meet all known and applicable environmental regulations in the areas and countries where our products are sold. We will promote and implement environmentally sound processes in support of national and international regulations.

ROHS STATEMENT: Product designed and intended as a fixed installation or part of a system in a vessel may be considered beyond the scope of Directive 2002/95/EC of the European Parliament and of the Council of 27 January 2003 on the restriction of the use of certain hazardous substances in electrical and electronic equipment.