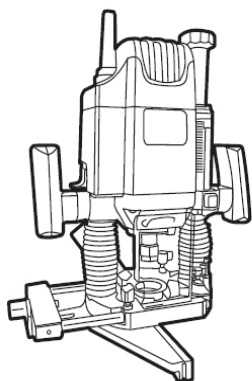


 **FELISATTI**®



RF62/2200VE

- (GB)** Operating Instructions
- (E)** Instrucciones de servicio
- (F)** Mode d'emploi
- (I)** Istruzioni per l'uso
- (D)** Bedienungsanleitung
- (P)** Instruções de utilização
- (RU)** Инструкция по эксплуатации

MILLING MACHINE

FRESADORA

FRAISEUSE

FRESATRICE

FRÄSE

FRESADORA

ФРЕЗЕР



Fig.1

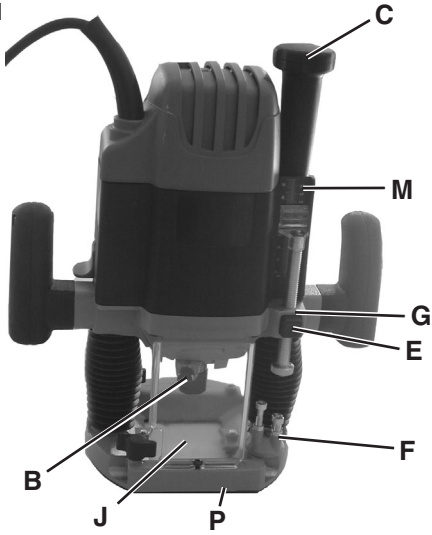


Fig.2

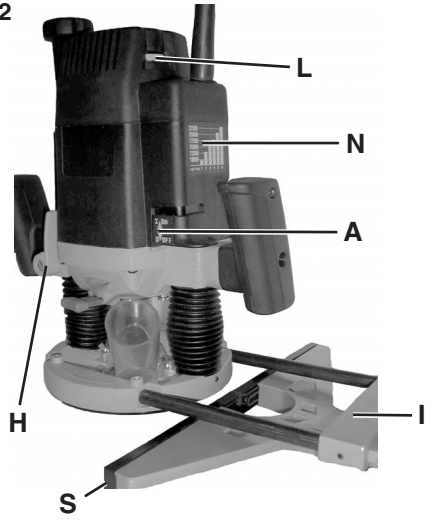


Fig.3

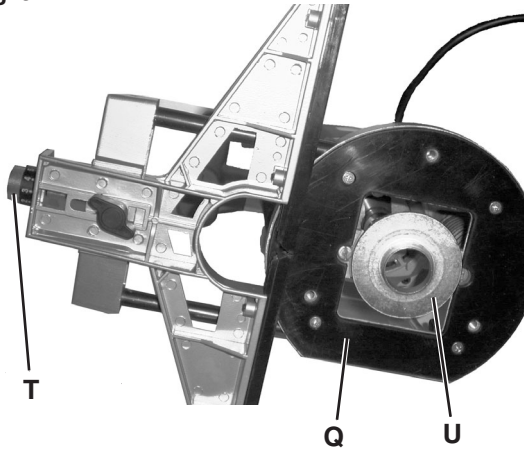


Fig.4

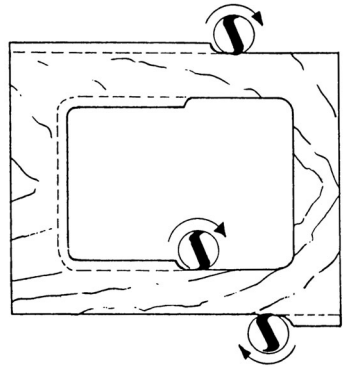


Fig.5

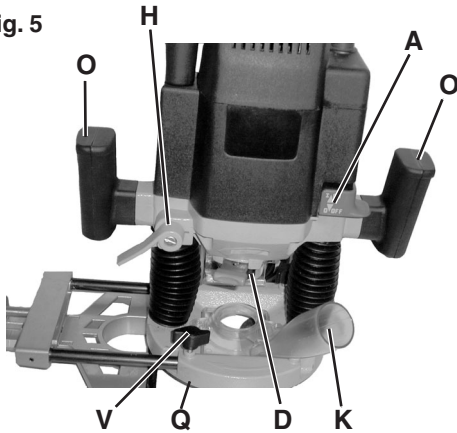
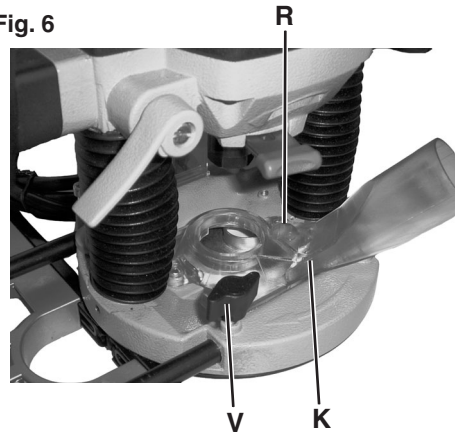


Fig.6



TECHNICAL DATA

Milling machine		RF62/2200VE
Absorbed power	W	2200
No load speed	rpm	11800-21000
∅ of milling cutter attachment	mm	12
Lengthwise travel	mm	0-67
∅ maximum of milling cutter	mm	60
Machine weight (without accessories)	kg	5.6
Total machine height	mm	305

The instructions contained in this manual must be strictly followed, it should be carefully read and kept close at hand to use when carrying out maintenance on the indicated parts.

If the machine is used carefully and normal maintenance is carried out, it will work for a long time.

The functions and use of the tool you have bought shall be only those described in this manual. **Any other use of the tool is strictly forbidden.**

ILUSTRATIONS

DESCRIPTION (See figures)

- A ON/OFF switch lever (Fig.2 and Fig.5)
- B Spindle lock of shaft (Fig.1)
- C Depth adjustment handle (Fig.1)
- D Clip fixing nut (Fig.5)
- E Depth stop (Fig.1)
- F Stepped stop (Fig.1)
- G Locking button (Fig.1)
- H Fixing lever (Fig.2 and Fig.5)
- I Side stop (Fig.2)
- J Transparent frontal protection (Fig.1)
- K Dust suction adapter (Fig.5 and Fig.6)
- L Speed adjustment (Fig.2)
- M Depth adjustment scale (Fig.1)
- N Speed adjustment scale (Fig.2)
- O Grips (Fig.1 and Fig. 2)
- P Base plate (Fig.1)
- Q Sliding plate (Fig.3 and Fig.5)
- R Wing screw for dust suction adapter (Fig.6)
- S Strip stop (Fig.2)
- T Parallel stop fine adjustment (Fig.3)
- U Copier bushing (Fig.3)
- V Wing screw (Fig.5 and Fig.6)

EQUIPMENT

- Side stop
- Clip, ∅1/2" and ∅1/4"
- Fixed spanner, 22 mm and 8 mm
- Transparent guard
- Dust suction adapter
- Copier bushing
- Operating instructions
- Safety instructions
- Warranty

SAFETY INSTRUCTIONS

- See **"Safety Instructions"** enclosed manual, supplied together with this instruction manual.

- **WARNING!** The dust produced when milling asbestos and/or silica stone materials is dangerous to health. Follow the insurance company's safety instructions regarding the responsibility of employees.
- For your personal safety, always connect the machine to a mains supply by a differential and thermal cut-out switch, in accordance with regulations on low-voltage wiring sitemaps.
- Do not perforate the machine casing, as this would destroy the protective insulation (use adhesive labels).
- Always unplug the machine before doing any work on it.
- Always stop the machine by switching it off, not by unplugging it.
- **WARNING!** Before each use, inspect the plug and lead. Should they need replacing, have this done by an official service centre. Only plug the machine in when it is switched off.
- Always keep the lead out of the machine's working area.
- Only plug the machine in when it is switched off.
- Do not allow the machine to get wet, nor should it be used in wet environments.
- When using the machine, always wear safety goggles, gloves and non-slip footwear, and it is advisable to wear ear protection.
- Check for correct piece fixing before commencing any operation.
- Only milling heads with acceptable revolutions that are at least the same as the maximum off-load revolutions of the machine should be used.
- The milling head shaft diameter should match the inside diameter of the tool-holder (locking clip).
- It should be ensured that the milling head is firmly held in place before the machine is operated.
- The clip-carrier shaft support lever must only be operated when the machine is stopped.
- The milling head should only be brought into contact with the work-piece after it has been switched on.
- The machine must be firmly held by the grips. Otherwise the recoil produced could cause the machine to work imprecisely or even dangerously.
- Hold the machine firmly in both hands and in a stable position.
- During use, it should be ensured that the milling head is in the centre of the copy bushing in order to prevent any personal injury or damages to the work-piece.
- The milling machine must never be used on metal objects, such as nails and screws.
- Hand must be kept clear of the milling machine while it is operating.

- The cutting depth must never be adjusted with the motor running. A mistake in this time could lead to personal injury and/or damage to the milling head or work-piece.
- The operator should remain alert and keep the milling head apart from all objects during operation.
- When the milling operation has been completed, locking lever should be operated so that the machine returns to its upper starting position.
- The motor must be allowed to come to completely stop before being put to one side between uses.
- The milling heads should be protected from impacts and knocks.
- The milling heads should not be touched after use because they could cause serious burns.

BRIEF DESCRIPTION

This machine is designed for use with rotary milling heads for milling slots, edges, profiles and rough-edged holes, from a firm base, in wood, synthetic and light construction materials, and for milling operation with a copier.

By employing the correct milling heads and using slow speeds, non-ferrous metals may also be milled.

BEFORE USING THIS TOOL

Make sure the mains voltage is correct: it must be the same as that on the specification label. Machines with 230-V can also be connected to a 220-V mains supply.

The machine is put into operation using the lever **A**, pressing it upwards (I-ON) will start the machine. Pressing it towards the base (0-OFF) will stop it.

Speed adjustments. Constant electronic performance

The control electronics allow continuous pre-setting of the revolutions and impact frequency to adapt the machine to the type of material to be worked on. Adjustment is made using the speed adjustment switch **L**, which has 6 positions to regulate the speed.

The higher the number, the greater the speed and impact energy. The range of settings from "1" (low power) to "6" (full power) makes the tool very flexible and adaptable to different applications.

The constant speed control maintains the pre-set number of revolutions and impact frequency.

Check the speed adjustment label **N** for the desired working speed.

Revolutions table

Material	Ø milling head	Revolution stages
Hard wood (beech)	4-10 mm	5-6
	12-20 mm	3-4
	22-40 mm	1-2
Soft wood (pine)	4-10 mm	5-6
	12-20 mm	3-6
	22-40 mm	1-3
Plywood boards	4-10 mm	3-6
	12-20 mm	2-4
	22-40 mm	1-3
Synthetic materials	4-15 mm	2-3
	16-40 mm	1-2
Aluminum	4-15 mm	1-2
	16-40 mm	1

The values in this table are for guideline purposes only. The required revolutions will depend on the material and working conditions. It is recommended that these be established by carrying out tests with the machine.

MILLING HEAD SELECTION AND INSTALLATION

1.1. Milling head selection

Depending on the materials to be worked, the following milling head qualities may be selected:

- **High-performance, fast-cutting steel milling heads (HSS):** suitable for soft materials, such as soft woods and plastic.
- **Milling heads with hard metal blades (HM):** suitable hard and abrasive materials, such as hard woods and aluminum.

WARNING! The milling heads that are employed must be officially approved in accordance with the maximum revolutions defined for the respective tools. The milling head shaft diameter should match the inside diameter of the tool-holder (locking clip).

1.2. Milling head installation

WARNING! The mains cable must be removed from the socket before any adjustments are made to the machine.

It is recommended that protective gloves be worn when installing or removing milling heads.

- To install the milling head, press the spindle lock of shaft **B** until it coincides with the shaft planes.
- A 22-mm spanner should be used to loosen clip fixing nut **D** in an anticlockwise direction.
- Insert the milling head so that the shaft enters the clip by a minimum of 20 mm (shaft length).
- Tighten the clip fixing nut **D** with the spanner and release the clip-carrier shaft support lever **B**.

PRECAUTION: Do not tighten clip fixing nut **D** without a milling head inserted into the clip.

ADJUSTING MILLING OPERATION DEPTH

WARNING! The milling operation depth adjustment must only be performed with the machine switched off.

The milling operation depth may be adjusted according to the work to be carried out.

The machine is fitted with a depth stop **E**, the upper surface of which is used in conjunction with the graduated scale **M** fine control of the milling operation depth.

For deep cutting operations, it is recommended that several passes be made, with a reduced chip thickness. Operate the fixing lever **H** and slowly push the upper section of the machine against the depth stop **E**. Lock the machine by releasing the fixing lever **H**.

Pressing locking button **G** will unlock the depth stop **E**, providing a simple method of stop adjustment.

Fixing lever **H** should be pressed to immobilize the machine at a determined working height.

To prevent running off-load, rotate the depth adjustment handle **C** until the desired return distance is obtained.

With the stepped stop **F** it is possible to perform the milling operation in three stages. To start, adjust the milling depth to the lowest position of stepped stop **F**. Then the milling operation can be carried out at the higher positions.

PRECAUTION: For large diameter cuts, it is recommended that the depth is set to minimum and to continue cutting in stages.

When commencing the work, the milling head should be slowly entered until the desired depth is obtained and then allowed to advance, always supporting the machine with two hands.

OPERATING INSTRUCTIONS.

PRECAUTION: The machine should always be unplugged before making any adjustments to the machine.

WARNING! The actual milling operation should always be made in the direction opposite to the milling head rotation direction (according to Fig. 4). Advancing the machine in the opposite direction could cause it to rebound and lead to an accident.

1.1. Milling

1. The milling depth should be adjusted in accordance with the previous description.
2. Switch on and place the machine over the work piece, firmly held in place.
3. Carry out the milling operation with a uniform advancing movement.
4. On completing the milling operation, push the upper section of the machine upwards and switch it off.

1.2. Milling with parallel stop

To install the parallel stop and with the guide rods in the base plate **P** and held in place with the wing screws **V** according to the required measurement.

Once both wing screws **V** have been loosened, the parallel stop can be re-adjusted using fine adjustment **S**. Adjust the desired length with the divisions with inches and millimetres marked on the side stop **I**.

Stop strip **S** may be used to increase the parallel stop contact surface.

1.3. Milling with the copier bushing

Copy bushing **U** enables edges to be milled on the work-piece in accordance with a pattern or template.

Installing the copier bushing

In order to use the copier bushing **U**, it must be installed on the lower section of support plate **P** from above and fixed in place with the screws.

WARNING! It is essential to ensure correct installation position.

1.4. Milling straight or profiled edges

When milling straight or profiled edges, without the parallel stop, the milling head must be fitted with a guide shaft or ball bearing (optional accessory).

The operating machine should be brought into contact with the work-piece from the side, until the milling head guide shaft or ball bearing is seated against the edge of the work piece. The machine must be guided with both hands, always perpendicular to the surface, along the entire length of the work-piece edge. Excessive applied pressure could damage the work-piece edge.

DUST EXTRACTION

WARNING! Always make sure that the tool is switched off and unplugged before fitting or removing any dust extraction device.

Dust extraction keeps the workplace clean, prevents dust build-up in the air and facilitates waste elimination.

These milling machines are fitted with adapter, which can be coupled to a universal vacuum aspirator or other dust suction device.

CAUTION: A suction extractor should always be used that has been designed in accordance with the applicable directives in relation to dust emission when milling wood. The flexible hoses of conventional vacuum cleaners fit directly onto the dust extraction nozzle.

Installing the dust suction adapter

PRECAUTION: Before installing the suction adapter **K**, press the fixing lever **H** so that the upper section of the machine ascends to the upper position.

In order to install the dust suction adapter **K**, it should be inserted in the square opening on the base plate **P** until it fits fully into place, and then fixed using the wing screws **R**, which are located on both sides of the adapter **K**.

In order to maintain optimum chip extraction, the suction adapter **K** should be periodically cleaned.

The aspirator should be suitable for the material being worked.

A special aspirator must be employed in those cases where dry harmful or carcinogenic dust is produced.

In situations where prolonged wood operations are performed or machines are used industrially with materials that produce dust that is harmful to health, the machine must be connected to a suitable external aspiration device.

NOISE AND VIBRATION

This tool has been designed and made to reduce noise to a minimum. However, in spite of this, **in certain circumstances the maximum noise level in the place of work could exceed 85 dBA. In this case, the operator should wear ear protection.**

The machine's noise and vibration levels, measured in compliance with EN60745-1, usually reach:

Acoustic pressure = 89 dB(A)

Sound-power level = 102 dB(A)

Use ear protection!

Vibration acceleration = 4.5 m/s²

ACCESSORIES

Accessories and their corresponding order number can be found in our catalogues.

MAINTENANCE AND CARE

WARNING—Always unplug the machine before carrying out work on it.

- **Tool inspection:** Using a blunt cutting tool leads to less efficient work and could damage the motor, therefore cutting tools should be sharpened or replaced as soon as any wear is noticed. **Daily:** Clean the tool holder.
- The milling heads must always be maintained sharp for optimum work results.
- **Inspect the mounting screws:** Regularly inspect all the mounting screws and ensure they are firmly tightened. Should any screw be loose, tighten it immediately. Failure to do so could put you at serious risk.
- **Motor maintenance:** Take the utmost care to ensure that the motor winding is not damaged and does not become damp with oil or water.
- **Brush replacement:** The brushes disconnect automatically and should be replaced after 150 - 200 hours use or when they are less than 10 mm long. Have them replaced by an Official Service Centre.
- Clean the machine thoroughly after each use with a blast of dry air.
- The vents of the machine should be kept clear at all times.
- Check that the mains lead is in good condition. If it is not, take it to an Official Service Centre to have it replaced.

- Use only **Felisatti** accessories and spares. The parts the changing of which is not covered in this instruction manual, should be replaced in a **Felisatti** Official Service Centre (See Warranty Official Service address leaflet).



Do not dispose of electric tools in the household waste!

In accordance with European Directive 2002/96/EC relating to old electrical and electronic appliances and its translation into national law, used electric tools must be collected separately and recycled in an ecologically desirable way.

WARRANTY

See general warranty conditions printed on the attached sheet.



DECLARATION OF CONFORMITY

We hereby declare, under our own responsibility, the **FELISATTI** products described in this manual RF62/2200VE comply with the following standards or standard documents EN60745-1:2008, EN60745-2-17:2003, EN55014-1:2006+A1, EN55014-2:1997+A1+A2, EN61000-3-2:2006+A1+A2 and EN61000-3-3:2008 and in accordance with EU Directives 2006/42/EC, 2006/95/EC, 2004/108/EC and 2002/95/EC.



Francisco Ruiz
Plant Mgr.

We reserve the right to make technical changes
07/2011

CARACTERÍSTICAS TÉCNICAS

Fresadora		RF62/2200VE
Potencia absorbida	W	2200
Velocidad en vacío	r.p.m.	11800-21000
∅ Sujeción de la fresa	mm	12
Desplazamiento longitudinal	mm	0-67
∅ Máximo fresa	mm	60
Peso máquina (sin accesorios)	kg	5,6
Altura total de la máquina	mm	305

Respetar escrupulosamente las instrucciones contenidas en este manual, leerlo con atención y tenerlo a mano para eventuales controles de las partes indicadas. Si se utiliza la máquina con cuidado y se cumple el normal mantenimiento, su funcionamiento será prolongado.

Las funciones y el uso de la herramienta que usted compró son sólo y exclusivamente aquellas indicadas en este manual. **Está totalmente prohibido cualquier otro uso de la herramienta.**

ILUSTRACIONES

DESCRIPCIÓN (Ver figuras indicadas)

- A Palanca interruptor ON/OFF (Fig.2 y Fig.5)
- B Botón de bloqueo del eje portapinza (Fig.1)
- C Pomo regulación profundidad (Fig.1)
- D Tuerca de fijación pinza (Fig.5)
- E Tope profundidad (Fig.1)
- F Tope escalonado (Fig.1)
- G Botón de bloqueo (Fig.1)
- H Palanca de fijación (Fig.2 y Fig.5)
- I Tope lateral (Fig.2)
- J Protección transparente frontal (Fig.1)
- K Adaptador aspiración polvo (Fig.5 y Fig.6)
- L Regulador de velocidad (Fig.2)
- M Escala regulación profundidad (Fig.1)
- N Etiqueta regulación velocidad (Fig.2)
- O Empuñaduras (Fig.1 y Fig.2)
- P Placa base (Fig.1)
- Q Placa de deslizamiento (Fig.3 y Fig.5)
- R Tornillo mariposa del adaptador aspiración polvo (Fig.6)
- S Regleta tope (Fig.2)
- T Ajuste fino tope paralelo (Fig.3)
- U Casquillo copiador (Fig.3)
- V Tornillo mariposa (Fig.5 y Fig.6)

EQUIPO DOTACIÓN DE LA MÁQUINA

- Tope lateral
- Pinza ∅12 mm y ∅8 mm
- Llave fija 22 mm y de 8 mm
- Protección transparente
- Adaptador de aspiración polvo
- Casquillo copiador
- Manual de instrucciones de servicio
- Instrucciones de seguridad
- Documento de garantía

INSTRUCCIONES DE SEGURIDAD

- Ver el manual adjunto "**Instrucciones de seguridad**" que se suministra conjuntamente con el presente manual de instrucciones.
- **¡ATENCIÓN!** Al fresar materiales de amianto/asbesto y/o piedras de sílice, el polvo que se produce es perjudicial para su salud. Protéjase de la inhalación de ese polvo según normas de prevención de accidentes. Siga las instrucciones de seguridad de la compañía aseguradora de la responsabilidad de sus empleados.
- Conecte siempre la máquina a una red protegida por interruptor diferencial y magnetotérmico, para su seguridad personal, según normas establecidas para instalaciones eléctricas de baja tensión.
- No perforar la carcasa de la máquina, pues se interrumpe el aislamiento de protección (utilizar rótulos adhesivos).
- Desconecte siempre el enchufe antes de llevar a cabo cualquier trabajo en la máquina.
- Al parar la máquina debe hacerse siempre por medio del interruptor, no desconectando la clavija.
- **¡ATENCIÓN!** Cada vez que vaya a utilizar la máquina controle el estado del enchufe y del cable. Deje sustituirlos por un especialista en el caso de que estén deteriorados. Introducir el enchufe en la toma de corriente sólo con el aparato desconectado.
- Mantener siempre el cable separado del radio de acción de la máquina.
- Enchufar la máquina a la red solamente en posición desconectada.
- El aparato no debe estar húmedo ni debe ponerse en funcionamiento en un entorno húmedo.
- Para trabajar con la máquina, utilizar siempre gafas de protección, guantes, calzado de seguridad antidieslizante, así como es recomendable usar protectores auditivos.
- Comprobar la correcta sujeción de la pieza de trabajo antes de empezar cualquier operación.
- Emplear únicamente útiles de fresar cuyas revoluciones admisibles sean como mínimo iguales a las revoluciones en vacío máximas del aparato.
- El diámetro de vástago de la fresa debe corresponder al diámetro interior del portaútiles (pinza de fijación).
- Antes de poner en marcha la herramienta, asegúrese de que el útil de fresar esté sujeto firmemente.
- Accionar la palanca de sujeción eje portapinza solamente con la máquina parada.
- La fresadora tiene que aproximarse solamente a la pieza de trabajo una vez haya sido conectada.
- Sujetar firmemente la máquina por las empuñaduras. De lo contrario, la contrafuerza producida podría causar un funcionamiento impreciso e incluso peligroso.

- Sostener siempre la máquina fuertemente con ambas manos y manteniendo una posición estable.
- Asegure que la fresa esté en el centro del casquillo copiador al usarla para evitar herida personal o daño de la pieza en elaboración.
- Jamás debe fresarse sobre objetos metálicos, clavos y tornillos.
- Mantenga alejadas las manos de la fresa en funcionamiento.
- Nunca ajuste la profundidad del corte mientras el motor esté en marcha. Una equivocación en este tiempo puede causar una herida personal, y dañar la fresa o el trabajo.
- Manténgase alerta y guarde la fresa libre de todo objeto ajeno durante funcionamiento.
- Al terminar de fresar, accionar la palanca de fijación para que el aparato regrese a su posición superior de partida.
- Asegúrese de que el motor esté parado completamente antes de poner la fresadora a un lado entre usos.
- Proteger los útiles contra choques y golpes.
- Nunca toque las fresas de la fresadora después de uso, pueden producir quemaduras serias.

DESCRIPCIÓN ABREVIADA

Esta herramienta está diseñada para ser equipada con fresas rotativas adecuadas para fresar sobre una base firme, ranuras, cantos, perfiles y agujeros rasgados en materiales de madera, sintéticos y de construcción ligeros y para realizar fresados con copiador.

Con las fresas adecuadas y revoluciones bajas, podrán trabajarse también metales no férricos.

ANTES DE USAR ESTA HERRAMIENTA

Cerciorarse de que la tensión de la red sea correcta: La indicación de tensión en la placa de características debe coincidir con la tensión de red. Los aparatos a 230V pueden conectarse también a una tensión de red de 220V.

La máquina se pone en marcha y se para, mediante la palanca **A**. Presionando la misma hacia arriba (I-ON) se pone en funcionamiento. Apretando hacia la base (O-OFF), se para.

Regulador de velocidad. Electrónica constante.

La electrónica de regulación permite un preajuste continuo de las revoluciones y de la frecuencia de impacto para adaptar la máquina al tipo del material que se va a trabajar. El ajuste se realiza mediante el regulador de velocidad **L** que tiene 6 posiciones y según estas se podrá regular la velocidad.

Cuanto más alto sea el número, mayores serán la velocidad y la energía de impacto. La gama de ajustes del control desde "1" (baja potencia) a "6" (plena potencia) permite que la herramienta sea muy flexible adaptándose a aplicaciones muy diversas.

El control de velocidad constante mantiene las revoluciones y la frecuencia de impacto preajustadas.

Para trabajar con la velocidad deseada consultar la etiqueta regulación velocidad **N**.

Tabla de revoluciones

Material	Ø fresa	Etapas de revoluciones
Madera dura (Haya)	4-10 mm	5-6
	12-20 mm	3-4
	22-40 mm	1-2
Madera blanda (Pino)	4-10 mm	5-6
	12-20 mm	3-6
	22-40 mm	1-3
Tablas de aglomerado de madera	4-10 mm	3-6
	12-20 mm	2-4
	22-40 mm	1-3
Materiales sintéticos	4-15 mm	2-3
	16-40 mm	1-2
Aluminio	4-15 mm	1-2
	16-40 mm	1

Los valores de esta tabla son orientativos. Las revoluciones requeridas dependen del material y de las condiciones de trabajo. Se recomienda determinarlas probando la máquina.

MONTAJES Y SELECCIÓN DE LA FRESA

1.1. Selección de la fresa

Según los materiales a trabajar podremos escoger entre las calidades de fresa siguientes:

- **Fresas de acero de corte rápido de alto rendimiento (HSS):** adecuadas para trabajar materiales blandos como p.ej. madera blanda y plástico.
- **Fresas con cuchillas de metal duro (HM):** adecuadas para trabajar materiales duros y abrasivos como p.ej. madera dura y aluminio.

¡ATENCIÓN! Las fresas que se utilicen deberán estar homologadas según las revoluciones máximas definidas de las respectivas herramientas. El diámetro del vástago de la fresa debe corresponder con el diámetro interior del portaútiles (pinza de fijación).

1.2. Montaje de la fresa

¡ATENCIÓN! Antes de cualquier manipulación en el aparato extraer el enchufe de la red.

Al realizar el montaje y desmontaje de la fresa se recomienda llevar guantes de protección.

1. Para montar la fresa presionar el botón de bloqueo del eje portapinza **B** haciendo que coincida con los planos del eje.
2. Con la llave fija de 22mm aflojar la tuerca fijación pinza **D** en sentido antihorario.
3. Introducir la fresa de manera que su vástago penetre en la pinza 20mm como mínimo (longitud del vástago).
4. Apretar la tuerca fijación pinza **D** con la llave fija y soltar la palanca de fijación eje portapinza **B**.

PRECAUCIÓN: No apriete la tuerca fijación pinza **D** sin que en la pinza este introducida una fresa.

AJUSTE DE LA PROFUNDIDAD DE FRESADO

¡ATENCIÓN! El ajuste de la profundidad de fresado debe efectuarse solamente con el aparato desconectado.

La profundidad de fresado puede ajustarse según el trabajo a realizar.

La máquina está provista de un tope de profundidad **E** cuyo plano superior sirve de referencia con la escala graduada **M** para afinar la profundidad de fresado.

Para cortes profundos, es recomendable hacerlo en varios pasos con un espesor de virutas reducido.

Accionar la palanca de fijación **H** y empujar lentamente la parte superior del aparato contra el tope de profundidad **E**. Enclavar el aparato soltando la palanca de fijación **H**.

Presionando el botón de bloqueo **G** se desbloquea el tope de profundidad **E** facilitando una regulación de tope ágil.

Para inmovilizar la máquina a una altura de trabajo determinada apretar la palanca de fijación **H**.

Para evitar la carrera en vacío, girar el pomo regulación profundidad **C**, hasta el retroceso deseado.

Con el tope escalonado **F** es posible efectuar el fresado en 3 etapas. Para empezar, ajustar la profundidad de fresado en la posición mas baja del tope escalonado **F**. Seguidamente puede efectuarse el fresado en las posiciones de menor profundidad.

PRECAUCIÓN: Para cortes de gran diámetro es mejor poner la profundidad al mínimo y seguir cortando por etapas.

Al iniciar el trabajo entrar la fresa lentamente hasta la profundidad deseada e iniciar el avance sujetando siempre la máquina con las dos manos.

INDICACIONES PARA EL TRABAJO.

PRECAUCIÓN: Desconecte siempre el enchufe antes de realizar cualquier ajuste en la máquina.

¡ATENCIÓN! El fresado debe realizarse siempre en dirección contraria al sentido de giro de la fresa (según Fig.4). Un avance en el sentido contrario puede hacer rebotar la máquina y provocar un accidente.

1.1. Fresado

1. Ajustar la profundidad de fresado en la manera descrita previamente.
2. Conectar y colocar el aparato sobre la pieza de trabajo, correctamente sujeta.
3. Fresar con un avance uniforme.
4. Al terminar de fresar empujar la parte superior del aparato hacia arriba y desconectarlo.

1.2. Fresado con tope paralelo

Para montar el tope paralelo y con las varillas guía en la placa base **P** y sujetándolo con los tornillos de mariposa **V** de acuerdo a la medida requerida.

Una vez aflojados ambos tornillos de mariposa **V** puede reajustarse el tope paralelo con el ajuste fino **S**. Ajustar la longitud deseada con las divisiones en pulgadas y milímetros marcadas en el tope lateral **I**.

Con la regleta tope **S** puede incrementarse la superficie de contacto del tope paralelo.

1.3. Fresado con casquillo copiador

El casquillo copiador **U** permite fresar contornos sobre la pieza de trabajo de acuerdo con un patrón o plantilla.

Montaje del casquillo copiador

Para poder utilizar el casquillo copiador **U** debe montarse en la parte inferior de la base de apoyo **P** por arriba y fijarlo con los tornillos.

¡ATENCIÓN! Al montarlo es imprescindible observar que la posición sea correcta.

1.4. Fresado de cantos lisos o perfilados

Al fresar cantos lisos o perfilados, sin el tope paralelo, es necesario que el útil de fresar esté dotado de un vástago guía o rodamiento de bolas (accesorio opcional).

Aproximar lateralmente el aparato en funcionamiento contra la pieza de trabajo hasta que el vástago guía o

rodamiento de bolas del útil de fresar asiente contra el borde de la pieza de trabajo. Guiar el aparato con ambas manos, siempre perpendicular a la superficie, a lo largo del borde de la pieza. Una presión de aplicación excesiva puede llegar a dañar el canto de la pieza.

ASPIRACIÓN DEL POLVO Y VIRUTAS

¡ADVERTENCIA! Asegurarse siempre que la herramienta está desconectada y desenchufada antes de instalar o extraer cualquier dispositivo de aspiración de polvo.

La aspiración del polvo reduce la suciedad del puesto de trabajo, evita un alto contenido de polvo en el aire a respirar y facilita la eliminación de residuos.

Estas fresadoras están provistas de un adaptador aspiración polvo en el cual se podrá adaptar un aspirador universal o cualquier otro dispositivo de aspiración polvo.

¡PRECAUCIÓN! Utilice siempre un extractor de aspiración diseñado de acuerdo con las directrices aplicables en relación con la emisión de polvo al fresar madera. Los tubos flexibles de aspiración de los aspiradores más comunes se ajustan directamente a la boca de extracción de polvo.

Montaje del adaptador para aspiración de polvo

PRECAUCIÓN: Antes de montar el adaptador para aspiración polvo **K** presionar la palanca de fijación **H** para que la parte superior del aparato ascienda a la posición superior.

Para montar el adaptador para aspiración de polvo **K**, insertarlo en la abertura cuadrada de la placa base **P** (hasta que encaje) y fijarlo con los tornillos mariposa **R** situados en ambos lados del mismo adaptador **K**.

Para mantener una extracción óptima de las virutas debe limpiarse periódicamente el adaptador para aspiración **K**.

El aspirador debe ser el adecuado al material a trabajar.

En caso de extraer polvo seco nocivo para la salud o incluso cancerígeno, debe emplearse un aspirador especial.

En caso de trabajar prolongadamente madera, o de utilizarse industrialmente en materiales que provoquen polvo nocivo para la salud, debe conectarse el aparato a un dispositivo para aspiración externo adecuado.

VALORES DE RUIDO Y VIBRACIÓN

La herramienta ha sido proyectada y construida para reducir al mínimo los ruidos, a pesar de esto **en especiales condiciones el nivel de ruido máximo en el sitio de trabajo podría ser superior a 85 dBA. En este caso el operador debe protegerse del ruido excesivo por medio de la utilización de protectores auditivos.**

Los niveles de ruido y vibración de la máquina, medidos según la norma EN60745-1, se elevan normalmente a:

Presión acústica = 89 dB(A)

Potencia acústica = 102 dB(A)

¡Usar protectores auditivos!

Aceleración de vibración = 4,5 m/s²

ACCESORIOS

Los accesorios y sus correspondientes números para pedido están reflejados en nuestros catálogos.

ADVERTENCIA–Desconecte siempre el enchufe antes de llevar a cabo cualquier trabajo en la máquina.

- **Inspección de la herramienta:** La utilización de una herramienta de corte gastada disminuirá la eficiencia de trabajo y podría causar desperfectos en el motor, por tanto es necesario afilar o cambiar las herramientas de corte tan pronto como se note abrasión en éstas. **Diariamente:** Limpiar el portaherramientas.
- Procurar que las fresas estén siempre afiladas para un óptimo trabajo.
- **Inspeccionar los tornillos de montaje:** Regularmente inspeccionar todos los tornillos de montaje y asegurarse de que estén apretados firmemente. Si cualquier tornillo estuviera suelto, volver a apretarlo inmediatamente. El no hacer esto provocaría un riesgo serio.
- **Mantenimiento del motor:** Prestar el mayor cuidado y asegurarse de que el bobinado del motor no se dañe y/o se humedezca con aceite o agua.
- **Sustitución de las escobillas:** Las escobillas son de desconexión automática y deben sustituirse al cabo de unas 150 - 200 horas de trabajo o bien cuando su longitud sea inferior a 10 mm. Para ello, debe acudir a un centro de asistencia autorizado para que efectúe el cambio.
- Limpiar esmeradamente la máquina después de utilizarla mediante un chorro de aire seco.
- Las ranuras de ventilación de la máquina deben estar despejadas en todo momento.
- Comprobar que el cable de toma de corriente esté en buen estado y, en caso contrario, acudir a un centro de asistencia técnica para que lo sustituya.
- Sólo se deben utilizar accesorios y piezas de repuestos **Felisatti**. Piezas cuyo recambio no está descrito en estas instrucciones de uso, deben sustituirse en un centro de asistencia técnica **Felisatti** (Consulte el folleto Garantía/Direcciones de Centros de Asistencia Técnica).



¡No se deshaga de las herramientas eléctricas a través de los contenedores de basura doméstica!

De acuerdo con la directriz europea 2002/96/CE referente a los residuos de los equipamientos eléctricos y electrónicos y a la conversión en el derecho nacional, las herramientas eléctricas usadas deben ser separadas y deben estar sujetas a un reciclaje que respete el medio ambiente.

Ver condiciones generales de concesión de Garantía en el impreso anexo a estas instrucciones.

**DECLARACIÓN DE CONFORMIDAD**

Declaramos bajo nuestra sola responsabilidad que los productos marca **FELISATTI** descritos en este manual RF62/2200VE están en conformidad con las normas o documentos normalizados siguientes: EN60745-1:2008, EN60745-2-17:2003, EN55014-1:2006+A1, EN55014-2:1997+A1+A2, EN61000-3-2:2006+A1+A2 y EN61000-3-3:2008 de acuerdo con las directivas 2006/42/CEE, 2006/95/CEE, 2004/108/CEE y 2002/95/CEE.



Francisco Ruiz
Dir. Fábrica

CARACTÉRISTIQUES TECHNIQUES

Fraiseuse		RF62/2200VE
Puissance absorbée	W	2200
Vitesse à vide	tr/min	11800-21000
∅ de fixation de la fraise	mm	12
Course longitudinale	mm	0-67
∅ maximum de la fraise	mm	60
Poids de la machine (sans accessoires)	kg	5,6
Hauter totale de la machine	mm	305

Respecter strictement les instructions contenues dans ce manuel qu'il convient de lire attentivement et de conserver à portée de main pour d'éventuels contrôles des parties indiquées.

Si la machine est utilisée avec soin et son entretien normalement assuré, son fonctionnement sera prolongé.

Les fonctions et l'utilisation de la machine que vous avez acquise sont celles indiquées dans ce manuel. **Tout autre usage de la machine est formellement interdit.**

ILLUSTRATIONS

DESCRIPTION (Voir dessin)

- A Levier interrupteur ON/OFF (Fig.2 et Fig.5)
- B Bouton de blocage de l'axe porte-pince (Fig.1)
- C Pommeau réglage profondeur (Fig.1)
- D Écrou de fixation pince (Fig.5)
- E Butoir profondeur (Fig.1)
- F Butoir échelonné (Fig.1)
- G Bouton de blocage (Fig.1)
- H Levier de fixation (Fig.2 et Fig.5)
- I Butoir latéral (Fig.2)
- J Protection transparente frontal (Fig.1)
- K Adaptateur poussière poussière (Fig.5 et Fig.6)
- L Régleur de vitesse (Fig.2)
- M Échelle réglage profondeur (Fig.1)
- N Étiquette réglage vitesse (Fig.2)
- O Poignées (Fig.1 et 2)
- P Plaque base (Fig.1)
- Q Plaque de glissement (Fig.3 et Fig.5)
- R Vis papillon de l'adaptateur poussière poussière (Fig.6)
- S Réglette butoir (Fig.2)
- T Réglage fin butoir parallèle (Fig.3)
- U Douille à copier (Fig.3)
- V Vis papillon (Fig.5 et Fig.6)

ÉQUIPEMENT DE LA MACHINE

- Butoir latéral
- Pince ∅12 mm et ∅8 mm
- Clé fixe de 22 mm et de 8 mm
- Protection transparente
- Adaptateur de poussière poussière
- Douille à copier
- Notice d'utilisation
- Consignes de sécurité
- Garantie

INSTRUCTIONS DE SÉCURITÉ

- Voir le manuel «Instructions de sécurité» joint à ce livret d'instructions.

- **ATTENTION!** La poussière produite par le fraisage des matériaux en amiante/asbeste et/ou des pierres de silice est dangereuse pour votre santé. Suivez les instructions de sécurité officielles.
- Pour votre sécurité personnelle, branchez toujours la machine sur secteur protégé par un disjoncteur différentiel et magnétothermique, selon les normes établies pour les installations électriques à basse tension.
- Ne pas percer le carter de la machine, cela supprimerait l'isolation (utiliser des plaques adhésives).
- Débranchez toujours la prise avant toute intervention sur la machine.
- La machine doit toujours être arrêtée en relâchant l'interrupteur, non en enlevant la prise.
- **ATTENTION!** À chaque fois que vous utilisez la machine, vérifiez l'état de la prise et du câble. Faites-les remplacer par un spécialiste s'ils sont détériorés.
- Tenir toujours le câble hors du rayon d'action de la machine.
- Brancher la machine sur le secteur seulement en position d'arrêt.
- L'appareil ne doit pas être humide ni être mis en marche dans un environnement humide.
- Pour travailler avec la machine, utiliser toujours des lunettes de protection, des gants, des chaussures de sécurité antidérapantes ; il est de même recommandé d'utiliser des vêtements de sécurité.
- Vérifiez la bonne fixation de la pièce de travail avant de commencer toute opération.
- Employez uniquement des outils à fraiser dont les révolutions admissibles sont au minimum égales aux révolutions à vide maximales de l'appareil.
- Le diamètre de la tige de la fraise doit correspondre au diamètre intérieur du porte-outils (pince de fixation).
- Avant de mettre la machine en marche, assurez-vous que l'outil à fraiser est solidement fixé.
- Actionnez le levier de fixation axe porte-pince uniquement lorsque la machine est à l'arrêt.
- La fraiseuse doit se rapprocher de la pièce uniquement lorsqu'elle est branchée.
- Fixez solidement la machine par les poignées. Sinon, les forces antagonistes pourraient provoquer un fonctionnement imprécis voire dangereux.
- Tenir toujours la machine fermement des deux mains et en maintenant une position stable.
- Veillez à ce que pendant son utilisation, la fraise soit au centre de la tige à copier pour éviter de vous blesser ou d'endommager la pièce en cours d'élaboration.
- Ne jamais fraiser sur des objets métalliques, des clous et des vis.
- Maintenez vos mains éloignées de la fraise en fonctionnement.

- Ne jamais régler la profondeur de la coupe lorsque le moteur est en marche. Une erreur pendant ce temps peut causer des blessures et endommager la fraise ou le travail.
- Maintenez la fraise éloignée de tout objet pendant son fonctionnement.
- Lorsque vous avez terminé de fraiser, actionnez le levier de fixation pour que l'appareil revienne à sa position supérieure de départ.
- Veillez à ce que le moteur soit en arrêt complet avant d'écarter la fraiseuse.
- Protégez les outils contre les chocs et les coups.
- Ne jamais toucher la fraiseuse après usage, cela pourrait produire de sérieuses brûlures.

BREVE DESCRIPTION

Cet outil est conçu pour être équipé de fraises rotatives adéquates pour fraiser sur une base ferme des rainures, des chants, des profils et des orifices fendus en matériaux légers en bois, synthétiques et de construction en vue de réaliser des fraisages à l'aide d'une fraise à copier.

Les fraises adéquates et à basses révolutions pourront également travailler des métaux non ferreux.

AVANT D'EMPLOYER CETTE MACHINE

S'assurer que la tension du secteur est correcte : L'indication de tension sur la plaque signalétique doit coïncider avec la tension du secteur. Les appareils à 230 V peuvent être branchés aussi sur du 220 V.

La machine se met en marche et s'arrête à l'aide du levier **A**. La machine se met en marche en pressant sur ce levier vers le haut (I-ON). La machine s'arrête en pressant sur le levier vers le bas (0-OFF).

La machine s'arrête en relâchant le bouton de Marche/Arrêt.

Régulateur de vitesse électronique – vitesse constante

L'électronique de régulation permet un préréglage continu du régime et de la fréquence de frappe afin d'adapter la machine au type de matériau à travailler. Le réglage se fait au moyen du régulateur de vitesse **L** qui a 6 positions différentes.

Plus le numéro est élevé, plus la vitesse et l'énergie de frappe seront importantes. La gamme de réglage de "1" (faible puissance) à "6" (pleine puissance) permet une très grande flexibilité de la machine, celle-ci s'adaptant à des applications très diverses.

Le contrôle constant de la vitesse maintient le préréglage du régime et de la fréquence de frappe.

Pour travailler à la vitesse souhaitée, veuillez consulter l'étiquette de réglage de la vitesse **N**.

Tableau des révolutions

Matériel	Ø fraise	Étapes des révolutions
Bois dur (hêtre)	4-10 mm	5-6
	12-20 mm	3-4
	22-40 mm	1-2
Bois tendre (pin)	4-10 mm	5-6
	12-20 mm	3-6
	22-40 mm	1-3
Planches de bois aggloméré	4-10 mm	3-6
	12-20 mm	2-4
	22-40 mm	1-3
Matériaux synthétiques	4-15 mm	2-3
	16-40 mm	1-2
Aluminium	4-15 mm	1-2
	16-40 mm	1

Les valeurs de ce tableau sont orientatives. Les révolutions nécessaires dépendent du matériau et des conditions de travail. Il est recommandé d'essayer l'appareil pour les déterminer.

MONTAGES ET SÉLECTION DE LA FRAISE

1.1. Sélection de la fraise

Selon les matériaux à travailler, nous pouvons choisir les qualités de fraise suivantes :

- **Fraises en acier à coupe rapide à haut rendement (HSS)** : adéquates pour travailler des matériaux tendres comme le bois tendre et le plastique.
- **Fraises à lames en métal dur (HM)** : adéquates pour travailler des matériaux durs et abrasifs comme le bois dur et l'aluminium.

ATTENTION ! Les fraises utilisées devront être homologuées selon les révolutions maximales définies des différents outils. Le diamètre de la tige de la fraise doit correspondre au diamètre intérieur du porte-outils (pince de fixation).

1.2. Montage de la fraise

ATTENTION ! Avant toute manipulation dans l'appareil, débranchez ce dernier.

Il est recommandé de porter des gants de protection pour le montage et le démontage de la fraise.

1. Pour monter la fraise, appuyer sur le bouton de blocage de l'axe porte-pince **B** en le faisant coïncider avec les plans de l'axe.
2. À l'aide de la clé fixe de 22mm, dévissez l'écrou fixation pince **D** dans le sens contraire aux aiguilles d'une montre.
3. Introduire la fraise de manière à ce que sa tige pénètre dans la pince de 20mm au moins (longueur de la tige).
4. Serrez l'écrou fixation pince **D** à l'aide de la clé fixe et lâchez le levier de fixation axe porte-pince **B**.

PRÉCAUTION : Ne pas serrer l'écrou fixation pince **D** sans qu'une fraise n'ait été introduite dans la pince.

RÉGLAGE DE LA PROFONDEUR DU FRAISAGE

ATTENTION ! Le réglage de la profondeur du fraisage doit s'effectuer uniquement avec l'appareil débranché.

La profondeur du fraisage peut se régler selon le travail à réaliser.

La machine est munie d'un butoir de profondeur **E** dont le plan supérieur sert de référence à l'aide de l'échelle graduée **M** pour affiner la profondeur du fraisage.

Pour des coupes profondes, il est recommandé de le faire en plusieurs phases avec une faible épaisseur des copeaux et des tournures.

Actionnez le levier de fixation **H** et poussez lentement la partie supérieure de l'appareil contre le butoir de profondeur **E**. Emboîtez l'appareil en lâchant le levier de fixation **H**.

En pressant sur le bouton de blocage **G**, le butoir de profondeur **E** se débloque permettant un réglage facile du butoir.

Pour immobiliser l'appareil à une hauteur de travail déterminée, serrez le levier de fixation **H**.

Pour éviter la course à vide, tournez le pomméau réglage profondeur **C** jusqu'au retour en arrière souhaité. Le butoir échelonné **F** permet d'effectuer le fraisage en 3 étapes. Pour commencer, ajustez la profondeur du fraisage

la position la plus basse du butoir échelonné F. Ensuite, effectuez le fraisage dans des positions moins profondes.

PRÉCAUTION : Pour des coupes de grand diamètre, il est préférable de mettre la profondeur au minimum et de poursuivre en coupant par étapes.

En commençant le travail, entrez lentement la fraise jusqu'à la profondeur souhaitée et commencez l'avancée en maintenant toujours la machine avec les deux mains.

INDICATIONS POUR LE TRAVAIL

PRÉCAUTION : Débranchez toujours la prise avant de réaliser tout réglage de l'appareil.

ATTENTION ! Le fraisage doit s'effectuer toujours dans le sens contraire au sens du mouvement de la fraise (voir Fig.4). Un avancement dans le sens contraire peut faire rebondir la machine et provoquer un accident.

1.1. Fraisage

1. Réglez la profondeur du fraisage de la manière précédemment décrite.
2. Branchez et placez l'appareil sur la pièce de travail correctement fixée.
3. Fraisez en avançant de manière uniforme.
4. À la fin du fraisage, tirez la partie supérieure de l'appareil et le débrancher.

1.2. Fraisage avec butoir parallèle

Pour monter le butoir parallèle et à l'aide des baguettes guide sur la plaque base P tout en le fixant à l'aide des vis papillon V selon la mesure souhaitée.

Une fois les deux vis papillon V desserrées, vous pouvez à nouveau régler le butoir parallèle avec le réglage fin S. Réglez la longueur souhaitée avec les divisions en pouces et en millimètres marquées sur le butoir latéral I. À l'aide de la règlette butoir S, vous pouvez augmenter la surface de contact du butoir parallèle.

1.3. Fraisage avec douille à copier

La douille à copier U permet de fraiser des contours sur la pièce de travail selon un patron ou un modèle.

Montage de la douille à copier

Pour utiliser la douille à copier U, vous devez la monter sur la partie inférieure d'appui P au-dessus et la fixer à l'aide des vis.

ATTENTION ! En montant la douille à copier, il est indispensable de vérifier la correction de la position.

1.4. Fraisage des chants lisses ou profilés

Le fraisage de chants lisses ou profilés, sans le butoir parallèle ne peut s'effectuer que si l'outil à fraiser est muni d'une tige guide ou d'un roulement à billes (accessoire en option).

Approchez latéralement l'appareil en fonctionnement contre la pièce de travail jusqu'à ce que la tige guide ou à roulement à billes de l'outil soit contre le bord de la pièce de travail. Guidez l'appareil à l'aide des deux mains, toujours perpendiculairement à la surface tout le long du bord de la pièce. Une pression d'application excessive peut endommager le chant de la pièce.

ASPIRATION DE LA POUSSIÈRE

AVERTISSEMENT ! Toujours s'assurer que la machine est hors tension et débranchée avant d'installer ou d'extraire le dispositif d'aspiration de la poussière.

L'aspiration de la poussière permet de réduire la saleté du poste de travail, évite la forte concentration de poussière dans l'air et facilite l'élimination des déchets.

Ces fraiseuses sont munies d'un adaptateur poussière dans lequel il sera possible d'adapter un aspirateur universel ou tout autre dispositif de poussière.

PRÉCAUTION : Utilisez toujours un extracteur de poussière conçu conformément aux directives applicables relatives à l'émission des poussières en fraisant du bois. Les tubes flexibles d'aspiration des aspirateurs les plus courants s'ajustent directement sur la bouche d'extraction de poussière.

Montage de l'adaptateur pour poussière de poussière

PRÉCAUTION : Avant de monter l'adaptateur pour poussière K, pressez sur le levier de fixation H pour que la partie supérieure de l'appareil atteigne la position supérieure.

Pour monter l'adaptateur pour poussière de poussière K, l'insérer dans l'ouverture carrée de la plaque base P jusqu'à emboîtement et le fixer à l'aide des vis papillon R situées sur les deux côtés de cet adaptateur K.

Pour une extraction optimale des copeaux et des tournures, nettoyez périodiquement l'adaptateur pour poussière K.

L'aspirateur doit être adapté au matériel à travailler.

En cas d'extraction de poussière sèche nocive pour la santé ou même cancérigène, vous devez utiliser un aspirateur spécial.

En cas de travail prolongé du bois ou d'utilisation industrielle de matériaux qui provoquent des poussières nocives pour la santé, il convient de brancher l'appareil à un dispositif approprié pour des poussières externes.

BRUIT ET VIBRATION

L'outil a été conçu et construit avec objectif de réduire le niveau de bruit au maximum. Malgré cela, **dans certaines conditions, le niveau de bruit maximal sur le lieu de travail peut être supérieur à 85 dBA. Dans ce cas, l'opérateur doit se protéger du bruit excessif en utilisant un casque de protection antibruit.**

Les niveaux de bruit et de vibration de la machine, mesurés selon la norme EN60745-1, s'élèvent normalement à :
Pression sonore = 89 dB(A)

Puissance sonore = 102 dB(A)

Employer des protecteurs individuels!

Accélération de la vibration = 4,5 m/s²

ACCESSOIRES

Les accessoires et leurs références sont répertoriées dans nos catalogues.

ENTRETIEN

AVERTISSEMENT—Avant toute intervention sur la machine, débranchez toujours la prise.

- **Examen de l'outil:** L'utilisation d'un outil de coupe usagé diminuera l'efficacité du travail et peut endommager le moteur ; il faut donc affûter ou changer les outils de coupe régulièrement. **Périodiquement:** Nettoyer le mandrin.

- Pour un travail optimal, veillez à ce que les fraises soient toujours aiguisées.

- **Examen des vis de montage :** Examiner régulièrement toutes les vis de montage et vérifier qu'elles

sont bien serrées. Si une vis est desserrée, la reserrer immédiatement. Ne pas le faire pourrait être préjudiciable.

- **Entretien du moteur:** Apporter le plus grand soin à l'entretien du moteur et s'assurer que le bobinage du moteur n'est pas endommagé et/ou humidifié avec de l'huile ou de l'eau.
- **Remplacement des charbons:** La déconnexion des charbons est automatique et ils doivent être remplacés au bout d'environ 150-200 heures de service ou bien quand leur longueur est inférieure à 10 mm. Le changement devra alors être effectué par un centre d'assistance agréé.
- Nettoyer soigneusement la machine après son utilisation avec un jet d'air sec.
- Les ouies d'aération de la machine doivent toujours être dégagées et propres.
- Vérifier que le câble et la prise de courant soient en bon état. Dans le cas contraire, les faire remplacer dans un centre d'assistance agréé.
- N'utiliser que des accessoires et des pièces de rechange **Felisatti**. Les pièces détachées hors accessoires doivent être remplacées dans un centre d'assistance technique **Felisatti** (Consultez l'imprimé Garantie/Adresses de Centres Agréés S.A.V).



Ne pas jeter les outils électriques dans les ordures ménagères !

Conformément à la directive européenne 2002/96/CE relative aux appareils électriques et électroniques usagés et sa version nationale, les outils électriques doivent être collectés séparément et recyclés de manière écopile.

GARANTIE

Consulter les conditions générales de Garantie sur l'imprimé annexe à ces instructions.



DÉCLARATION DE CONFORMITÉ

Nous déclarons sous notre seule responsabilité que ce produit **FELISATTI** : RF62/2200VE est conforme aux normes suivantes : EN60745-1:2008, EN60745-2-17:2003, EN55014-1:2006+A1, EN55014-2:1997+A1+A2, EN61000-3-2:2006+A1+A2 et EN61000-3-3:2008, en accord avec les directives 2006/42/CEE, 2006/95/CEE, 2004/108/CEE et 2002/95/CEE.



Francisco Ruiz
Dir. Fábrica



CARATTERISTICHE TECNICHE

Fresatrice		RF62/2200VE
Potenza assorbita	W	2200
Velocità a vuoto	rpm	11800-21000
Ø attacco della fresa	mm	12
Scorrimento longitudinale	mm	0-67
Ø massimo fresa	mm	60
Peso della macchina (senza accessori)	kg	5,6
Altezza totale della macchina	mm	305

Rispettare scrupolosamente le istruzioni contenute in questo manuale, leggerlo attentamente e tenerlo a portata di mano per eventuali controlli delle parti indicate.

Se la macchina viene utilizzata con attenzione e si esegue la normale manutenzione, il suo funzionamento sarà prolungato nel tempo. Le funzioni e gli usi dell'utensile che avete comprato sono unicamente quelli indicati in questo manuale. **È assolutamente proibito ogni altro uso dell'utensile.**

ILLUSTRAZIONI

DESCRIZIONE (Vedere le figure)

- A Leva interruttore ON/OFF (Fig.2 e Fig.5)
- B Pulsante di bloccaggio dell'asse portapinza (Fig.1)
- C Pomello di regolazione della profondità (Fig.1)
- D Dado fissaggio pinza (Fig.5)
- E Fermo di profondità (Fig.1)
- F Fermo graduato (Fig.1)
- G Pulsante di blocco (Fig.1)
- H Leva di fissaggio (Fig.2 e Fig.5)
- I Fermo laterale (Fig.2)
- J Protezione frontale trasparente (Fig.1)
- K Adattatore aspirazione polvere (Fig.5 e Fig.6)
- L Regolatore di velocità (Fig.2)
- M Scala regolazione profondità (Fig.1)
- N Etichetta regolazione velocità (Fig.2)
- O Impugnature (Fig.1 e fig. 2)
- P Piastra di base (Fig.1)
- Q Piastra di scivolamento (Fig.3 e Fig.5)
- R Vite a farfalla dell'adattatore per l'aspirazione della polvere (Fig.6)
- S Morsettieria fermo (Fig.2)
- T Regolazione fina fermo laterale (Fig.3)
- U Copiatore (Fig.3)
- V Vite a farfalla (Fig.5 e Fig.6)

DOTAZIONE STANDARD DELL'UTENSILE

- Fermo laterale
- Pinza Ø12 mm e Ø8 mm
- Chiave fissa 22 mm e da 8 mm
- Protezione trasparente
- Adattatore per l'aspirazione della polvere
- Copiatore
- Manuale di istruzioni
- Norme di sicurezza
- Documento di garanzia

ISTRUZIONI DI SICUREZZA

- Vedere il manuale allegato "Istruzioni di sicurezza" fornito insieme al presente manuale di istruzioni

- **ATTENZIONE!** Quando si fresano materiali di amianto/asbesto e/o pietre di silicio, la polvere che si produce è dannosa alla salute. Seguire le istruzioni di sicurezza della compagnia di assicurazioni relativamente alla responsabilità dei lavoratori.
- La macchina va collegata, per la vostra sicurezza personale, solo a reti elettriche dotate di salvavita e di disgiuntore termico ai sensi delle norme vigenti per gli impianti elettrici a bassa tensione.
- Non forate la carcassa della macchina, altrimenti danneggerete l'isolamento di protezione (usare etichette adesive).
- Prima di qualsiasi intervento sulla macchina, staccare sempre la spina dalla presa elettrica.
- Spegnerla la macchina sempre per mezzo dell'interruttore, non staccando la spina.
- **ATTENZIONE!** Prima di ogni utilizzo, controllate le condizioni della spina e del cavo di alimentazione della vostra macchina utensile. Se sono deteriorati, fateli sostituire presso un centro di assistenza. Introdurre al spina nella presa di corrente solo con l'apparecchio scollegato.
- Tenere sempre il cavo di alimentazione lontano dal raggio d'azione della macchina.
- Collegare la macchina alla rete elettrica solo con l'interruttore in OFF
- Evitate che la macchina si bagni e non adoperatela in ambienti umidi.
- Per lavorare con questa macchina indossare sempre occhiali protettivi, guanti da lavoro, scarpe di sicurezza antiscivolo e preferibilmente anche protezioni per l'udito.
- Verificare il fissaggio corretto del pezzo di lavoro prima di iniziare qualsiasi operazione.
- Utilizzare soltanto attrezzi di fresatura le cui rivoluzioni ammissibili siano come minimo uguali alle rivoluzioni massime a vuoto della macchina.
- Il diametro del gambo della fresa deve corrispondere al diametro interno del portautensili (pinza di fissaggio).
- Prima di mettere in moto l'attrezzo, assicurarsi che il dispositivo per la fresatura sia ben fissato.
- Azionare la leva di attacco per asse portapinza soltanto a macchina spenta.
- Avvicinare la fresatrice al pezzo di lavoro soltanto dopo averla collegata.
- Reggere saldamente la macchina dalle impugnature. In caso contrario, il contraccolpo potrebbe causare un funzionamento impreciso e anche pericoloso dell'utensile.
- Sostenere saldamente la macchina con entrambe le mani e mantenendosi in posizione stabile.

- Assicurarsi che al momento dell'uso la fresa si trovi al centro del copiatore, per evitare ferite personali o eventuali danni del pezzo in stato di elaborazione.
- Non va mai fresato su oggetti metallici, chiodi e viti.
- Mantenere lontane le mani dalla fresa mentre questa è in moto.
- Non regolare mai la profondità del taglio mentre il motore è acceso. Un eventuale sbaglio durante questa fase potrebbe causare una ferita personale, e danneggiare la fresa o il lavoro che si sta eseguendo.
- Stare sempre all'erta e mantenere la fresa libera da qualsiasi oggetto durante il suo funzionamento.
- Dopo la fresatura, azionare la leva di fissaggio affinché la macchina ritorni alla sua posizione superiore di partenza.
- Assicurarsi che il motore sia completamente fermo prima di mettere da parte la fresatrice tra un uso e l'altro.
- Proteggere gli utensili da eventuali urti e colpi.
- Non toccare mai le frese della fresatrice dopo l'uso, possono causare gravi bruciate.

BREVE DESCRIZIONE

Questo attrezzo è stato progettato per essere dotato di frese rotanti adatte a fresare su una base stabile, scanalature, spigoli, profili e fori squarciati in materiali di legno, sintetici e leggeri per l'edilizia, e a realizzare fresature con copiatore.

Con le frese adeguate e a basse rivoluzioni, si potranno fresare pure i metalli non ferrei.

PRIMA DI USARE QUESTA MACCHINA

Controllare che la tensione di rete sia quella adeguata: deve coincidere con la tensione indicata nella targhetta segnaletica. Gli apparecchi a 230V possono essere collegati anche a una rete con tensione di 220V.

La macchina si mette in moto e si arresta, mediante la leva **A**. Premendola verso l'alto (I-ON) si mette in funzione. Premendo verso la base (0-OFF), si arresta.

Regolazione della velocità. Funzionamento costante regolato elettronicamente

La regolazione elettronica consente di prefissare il valore del numero di giri e della frequenza dei colpi in modo da adattare la macchina al tipo di materiale su cui si lavora. La regolazione si fa per mezzo del regolatore di velocità **L** a 6 posizioni, che permettono di regolare la velocità.

Più alto è il numero, maggiori sono la velocità e la forza d'urto. Le graduazioni del comando, da "1" (bassa potenza) a "6" (piena potenza) rende molto flessibile l'uso della macchina, perché può essere adattata a molte applicazioni. Il controllo di velocità costante mantiene ai valori prefissati il numero di giri e la frequenza dei colpi.

Per lavorare alla velocità desiderata, consultare l'etichetta per regolare la velocità **N**.

Tabella dei giri

Materiale	Ø fresa	Fasi dei giri
Legno duro (faggio)	4-10 mm	5-6
	12-20 mm	3-4
	22-40 mm	1-2
Legno morbido (pino)	4-10 mm	5-6
	12-20 mm	3-6
	22-40 mm	1-3
Pannelli di legno	4-10 mm	3-6

compensato	12-20 mm	2-4
	22-40 mm	1-3
Materiali sintetici	4-15 mm	2-3
	16-40 mm	1-2
Alluminio	4-15 mm	1-2
	16-40 mm	1

I valori di questa tabella sono orientativi. I giri necessari dipendono dal materiale e dalle condizioni di lavoro. Si consiglia di determinarli provando la macchina.

MONTAGGI E SELEZIONE DELLA FRESA

1.1. Selezione della fresa

A seconda dei materiali da fresare potremo scegliere le seguenti qualità di fresa:

- **Frese in acciaio superrapido ad alto rendimento (HSS):** adatte per lavorare su dei materiali morbidi come per es. il legno morbido e la plastica.
- **Frese con lame in metallo duro (HM):** adatte per lavorare su dei materiali duri e abrasivi come per es. il legno duro e l'alluminio.

ATTENZIONE! Le frese da utilizzare dovranno essere omologate in base alle massime rivoluzioni stabilite dalle rispettive apparecchiature. Il diametro del gambo della fresa deve corrispondere al diametro interno del portautensili (pinza di fissaggio).

1.2. Montaggio della fresa

ATTENZIONE! Prima di effettuare qualsiasi operazione sulla macchina, estrarre la spina dalla presa elettrica.

Per le operazioni di montaggio e smontaggio della fresa, è consigliabile indossare dei guanti di protezione.

1. Per montare la fresa premere il pulsante di bloccaggio dell'asse portapinza **B** facendolo coincidere con i piani dell'asse.
2. Con la chiave fissa da 22mm allentare il dado di fissaggio della pinza **D** in senso antiorario.
3. Introdurre la fresa in modo tale che il suo gambo penetri nella pinza almeno per 20mm (lunghezza del gambo).
4. Stringere il dado di fissaggio della pinza **D** con la chiave fissa e rilasciare la leva di fissaggio dell'asse portapinza **B**.

PRECAUZIONE: Non stringere il dado di fissaggio della pinza **D** senza prima introdurre una fresa.

REGOLAZIONE DELLA PROFONDITÀ DI FRESAGGIO

ATTENZIONE! La regolazione della profondità di fresaggio va effettuata soltanto quando la macchina non è collegata.

La profondità di fresaggio si può regolare in base al lavoro da realizzare.

La macchina è dotata di un fermo di profondità **E** il cui piano superiore serve da riferimento assieme alla scala graduata **M** per correggere la profondità di fresaggio.

Per tagli profondi, è consigliabile eseguirli in varie passate con uno spessore di trucioli ridotto.

Azionare la leva di fissaggio **H** e spingere lentamente la parte superiore della macchina contro il fermo di profondità **E**. Inchiodare la macchina rilasciando la leva di fissaggio **H**.

Premendo il pulsante di blocco **G** si sblocca il fermo di profondità **E** potendolo così regolare più comodamente.

Per immobilizzare la macchina ad un'altezza di lavoro determinata, stringere la leva di fissaggio **H**.

Per evitare una corsa a vuoto, girare il pomello di regolazione di profondità **C**, fino a farlo retrocedere nella posizione desiderata.

Mediante il fermo graduato **F** è possibile effettuare il fresaggio in 3 fasi. Innanzitutto, occorre regolare la profondità di fresaggio nella posizione più bassa del fermo graduato **F**. Dopodiché si può eseguire la fresatura nelle posizioni di minor profondità.

PRECAUZIONE: Per tagli di gran diametro è meglio regolare la profondità al minimo e continuare a tagliare in varie passate.

Quando si inizia il lavoro di fresatura, occorre inserire la fresa lentamente fino alla profondità desiderata e iniziare l'avanzamento reggendo sempre la macchina con entrambe le mani.

INDICAZIONI PER IL LAVORO.

PRECAUZIONE: Staccare sempre la spina prima di realizzare qualsiasi regolazione nella macchina.

ATTENZIONE! Il fresaggio va realizzato sempre in direzione contraria al senso di rotazione della fresa (cfr. Fig.4). Un avanzamento in senso contrario può far sobbalzare la macchina e provocare un incidente.

1.1. Fresaggio

1. Regolare la profondità di fresaggio nella maniera descritta in precedenza.
2. Collegare la spina e collocare l'attrezzo sul pezzo di lavoro, tenuto correttamente fermo.
3. Fresare con un avanzamento uniforme.
4. Una volta ultimato il fresaggio, spingere la parte superiore della macchina verso sopra e scollegarla.

1.2. Fresaggio con fermo laterale

Il fermo laterale va montato con le bacchette di guida nella piastra di base **P** e fissato con le viti a farfalla **V** a seconda della misura richiesta.

Una volta allentate entrambe le viti a farfalla **V** si può regolare nuovamente il fermo laterale mediante il dispositivo di regolazione **S**. Regolare la lunghezza desiderata mediante le divisioni con pollici e millimetri segnate nel fermo laterale **I**.

Con la morsetteria di fermo **S** si può incrementare la superficie di contatto del fermo laterale.

1.3. Fresatura con copiatore

Il copiatore **U** consente di fresare contorni sul pezzo di lavoro, in base a uno stampo o modello.

Montaggio del copiatore.

Per poterlo utilizzare, il copiatore **U** va montato nella parte inferiore della base di appoggio **P** dall'alto e va fissato con delle viti.

ATTENZIONE! Quando lo si monta, è indispensabile osservare che la posizione sia corretta.

1.4. Fresatura di spigoli smussati e sagomati

Quando si fresano spigoli smussati o sagomati, senza il blocco laterale, è necessario che il dispositivo di fresatura sia dotato di un gambo guida o cuscinetto a sfere (accessorio opzionale).

Avvicinare lateralmente la macchina in funzione contro il pezzo da lavorare fino a che il gambo guida o cuscinetto a sfere del dispositivo di fresatura si assesti contro il bordo del pezzo su cui lavorare. Guidare la macchina con entrambe le mani, sempre perpendicolare alla superficie, lungo il bordo del pezzo. Un'eccessiva

pressione di applicazione potrebbe danneggiare lo spigolo del pezzo.

ASPIRAZIONE DELLA POLVERE

AVVERTENZA! Controllare sempre che l'utensile sia spento e disinserito dalla rete prima di montare o di smontare qualsiasi dispositivo di aspirazione della polvere.

L'aspirazione della polvere riduce la presenza di sporcizia nel locale di lavoro, evita le elevate concentrazioni di polvere nell'aria che si respira e agevola la rimozione dei residui.

Queste fresatrici sono dotate di un adattatore per l'aspirazione della polvere nel quale si potrà adattare un aspiratore universale o qualsiasi altro dispositivo per l'aspirazione della polvere.

PRECAUZIONE: Utilizzare sempre un estrattore di aspirazione progettato in base alle direttrici applicabili all'emissione di polvere nell'ambito della fresatura del legno. I tubi flessibili di aspirazione degli aspiratori più comuni si possono collegare direttamente all'apertura di fuoriuscita della polvere.

Montaggio dell'adattatore per l'aspirazione della polvere

PRECAUZIONE: Prima di montare l'adattatore per l'aspirazione **K** premere la leva di fissaggio **H** affinché la parte superiore della macchina si sollevi fino alla posizione superiore.

Per montare l'adattatore per l'aspirazione della polvere **K**, inserirlo nella fessura quadrata della piastra di base **P** fino a farlo incastrare) e fissarlo con le viti a farfalla **R** situate su entrambi i lati dello stesso adattatore **K**.

Ai fini di un'estrazione ottima e duratura dei trucioli, occorre pulire periodicamente l'adattatore per l'aspirazione **K**.

L'aspiratore deve essere adatto al materiale su cui lavorare.

Nel caso di estrazione di polvere secca, nociva alla salute o addirittura cancerogena, occorre usare un aspiratore speciale.

Nel caso di lavorazioni prolungate del legno, o dell'utilizzo industriale su materiali che provocano polvere nociva alla salute, la macchina va collegata a un apposito dispositivo esterno per l'aspirazione.

RUMORI E VIBRAZIONI

L'utensile è stato progettato e costruito per ridurre al minimo i rumori; ciononostante, **in condizioni particolari il livello massimo di rumore nel locale di lavoro potrebbe essere superiore a 85 dB(A). In questo caso l'operatore deve proteggersi dal rumore eccessivo con l'impiego di protezioni per l'udito.**

I livelli di rumore e di vibrazione della macchina, misurati secondo la norma EN60745-1, raggiungono normalmente i seguenti valori:

Pressione acustica = 89 dB(A)

Potenza acustica = 102 dB(A)

Usare protezioni per l'udito!

Accelerazione della vibrazione = 4,5 m/s²

ACCESSORI

Gli accessori e i relativi numeri di codice per le ordinazioni sono riportati nei nostri cataloghi.

CURA E MANUTENZIONE

AVVERTENZA—Prima di compiere qualsiasi intervento sulla macchina, staccate sempre la spina dalla presa elettrica.

- **Ispezione dell'utensile:** L'uso di un utensile da taglio consumato farà diminuire la qualità del lavoro e potrebbe causare guasti al motore; è quindi necessario affilare o sostituire gli utensili di taglio non appena si nota che sono deteriorati. **Ogni giorno:** Pulire il portautensili.

- Fare in modo che le frese siano sempre affilate per garantire un'ottima lavorazione.

- **Ispezionare le viti:** Ispezionare regolarmente tutte le viti di assemblaggio e verificare che siano ben serrate. Se una vite dovesse allentarsi, serrarla immediatamente. In caso contrario si possono correre seri pericoli.

- **Manutenzione del motore:** Fare molta attenzione ad evitare d'acqua.

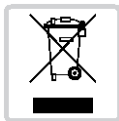
- **Sostituzione delle spazzole:** Le spazzole sono a disinserimento automatico e vanno sostituite dopo 150-200 ore circa di funzionamento oppure quando la loro lunghezza è inferiore a 10 mm. Per sostituirle rivolgersi a un centro di assistenza tecnica autorizzato.

- Pulire accuratamente la macchina dopo l'uso con un getto d'aria asciutta.

- Le aperture di ventilazione della macchina non devono essere sempre libere.

- Verificare che il cavo di alimentazione sia in buone condizioni; in caso contrario, farlo sostituire presso un centro di assistenza tecnica autorizzato

- Usare solo accessori e ricambi originali **Felisatti**. Per quanto riguarda i pezzi la cui sostituzione non è descritta in queste istruzioni per l'uso, farli sostituire presso un centro di assistenza tecnica autorizzato **Felisatti** (vedere il foglietto Garanzia/Indirizzi dei Centri di assistenza tecnica).



Non introdurre attrezzi elettrici nei rifiuti di casa!

Secondo la normativa europea 2002/96/CE in riferimento agli apparecchi elettrici ed elettronici e le leggi nazionali, gli apparecchi elettrici usurati devono essere raccolti separatamente e portati al riciclaggio, rispettando le norme ambientali.

GARANZIA

Vedere le condizioni generali di validità della garanzia riportate sul foglietto allegato a queste istruzioni.



DICHIARAZIONE DI CONFORMITÀ

Dichiariamo sotto la nostra esclusiva responsabilità che i prodotti della marca **FELISATTI** descritti in questo manuale RF62/2200VE sono conformi alle norme o ai regolamenti seguenti: EN60745-1:2008, EN60745-2-17:2003, EN55014-1:2006+A1, EN55014-2:1997+A1+A2, EN61000-3-2:2006+A1+A2 e EN61000-3-3:2008, ai sensi delle direttive 2006/42/CEE, 2006/95/CEE, 2004/108/CEE e 2002/95/CEE.



Francisco Ruiz
Dir. fabbrica

Ci riserviamo il diritto di effettuare cambiamenti tecnici
07/2011

TECHNISCHE DATEN

Fräse		RF62/2200VE
Nennaufnahmeleistung	W	2200
Leerlaufdrehzahl	U/Min	11800-21000
∅ Befestigung des Fräasers	mm	12
Längsverschiebung	mm	0-67
∅ maximal Fräser	mm	60
Maschinengewicht (ohne Zubehör)	kg	5,6
Gesamthöhe der Maschine	mm	305

Die in diesem Handbuch enthaltenen Anweisungen und Sicherheitsvorschriften sind genau zu befolgen. Lesen Sie diese aufmerksam und zum Zwecke von möglichen Überprüfungen der Bauteile sollten sie stets mitgeführt werden.

Durch bestimmungsgemäße Verwendung und Beachtung der entsprechenden Wartungshinweise, kann die Lebensdauer der Maschine wesentlich verlängert werden.

Dieses Werkzeug ist nur für den in dieser Anleitung beschriebenen Gebrauch vorgesehen. **Jeglicher andere Gebrauch der Maschine ist untersagt.**

ABBILDUNGEN

BESCHREIBUNG (Siehe entspr. Abbildungen)

- A Unterbrecherhebel ON/OFF (Fig.2 und Fig.5)
- B Arretierknopf der Haltezangenspindel (Fig.1)
- C Reguliergriff zur Frästiefeneinstellung (Fig.1)
- D Befestigungsmutter Haltezange (Fig.5)
- E Tiefenanschlag (Fig.1)
- F Tiefenvoreinstellung (Fig.1)
- G Arretierknopf (Fig.1)
- H Befestigungshebel (Fig.2 und Fig.5)
- I Seitenanschlag (Fig.2)
- J Transparente frontale Spanschutzhaube (Fig.1)
- K Absaugadapter (Fig.5 und Fig.6)
- L Geschwindigkeitsregler (Fig.2)
- M Skala zur Frästiefeneinstellung (Fig.1)
- N Etikett Geschwindigkeitsregulierung (Fig.2)
- O Handgriffe (Fig.1 und Fig. 2)
- P Fußplatte (Fig.1)
- Q Gleitplatte (Fig.3 und Fig.5)
- R Flügelschraube für Absaugadapter (Fig.6)
- S Anschlagleiste (Fig.2)
- T Feineinstellung Parallelanschlag (Fig.3)
- U Kopierhülse (Fig.3)
- V Flügelschraube (Fig.5 und Fig.6)

MITGELIEFERTES MASCHINENZUBEHÖR

- Seitlicher Anschlag
- Spannzange ∅12 mm und ∅8 mm
- Maulschlüssel 22 mm und 8 mm
- Transparenter Schutz
- Adapter Spanabsaugung
- Kopierhülse
- Bedienungsanleitung
- Sicherheitshinweise
- Garantiekarte

SICHERHEITSHINWEISE

- Siehe die entsprechenden "**Sicherheitsanweisungen**" die zusammen mit der vorliegenden Betriebsanleitung geliefert werden.
- **ACHTUNG!** Der beim Fräsen von Asbest, asbesthaltigen Stoffen und/oder Siliziumstein entstehende Staub ist gesundheitsschädlich. Schützen Sie sich entsprechend den Unfallverhütungsvorschriften vor dem Einatmen dieses Staubes.
- Schützen Sie sich vor elektrischem Schlag. Vermeiden Sie Körperberührung mit geerdeten Teilen, zum Beispiel Rohren, Heizkörpern, Herden und Kühlschränken. Die Verwendung eines Fehlerstromschutzschalters wird für alle Arbeiten mit Elektrowerkzeugen empfohlen.
- Gehäuse der Maschine nicht anbohren, da die Schutzisolierung unterbrochen wird.
- Bevor Sie Arbeiten an der Maschine vornehmen, muss der Netzstecker aus der Steckdose gezogen werden.
- Die Maschine muss immer mit dem Schalter ausgeschaltet werden. Dazu nicht den Netzstecker verwenden.
- **ACHTUNG!** Prüfen Sie vor jedem Einsatz der Maschine den korrekten Zustand des Steckers und des Kabels. Sollte deren Zustand nicht korrekt sein, lassen Sie sie durch einen Fachmann ersetzen. Den Netzstecker nur bei ausgeschaltetem Gerät einstecken. Halten Sie das Kabel immer fern vom Arbeitsbereich der Maschine.
- Halten Sie das Kabel immer fern vom Arbeitsbereich der Maschine.
- Die Maschine nur ausgeschaltet an den Netzstrom anschließen.
- Die Maschine darf nicht feucht sein oder in feuchter und nasser Umgebung in Betrieb genommen werden.
- Tragen Sie beim Arbeiten mit der Maschine immer Schutzbrille, Handschuhe, rutschfeste Sicherheitsschuhe; ebenso wird das Tragen eines Gehörschutzes empfohlen.
- Überprüfen Sie den korrekten festen Sitz der Werkstücke vor jedem Arbeitsgang.
- Verwenden Sie nur Fräswerkzeuge, deren zulässige Drehzahl mindestens der maximalen Drehzahl des Geräts im Leerlauf entspricht oder höher als diese ist.
- Der Durchmesser des Fräserschafts muss dem Innendurchmesser der Werkzeugaufnahme (Spannbohrung der Spannzange) entsprechen.
- Überprüfen Sie vor Inbetriebnahme des Gerätes, ob das Fräswerkzeug fest und sicher befestigt ist.
- Betätigen Sie den Spannhebel der Haltezangenspindel nur bei ausgeschalteter Maschine.

- Die Fräse darf erst nach Inbetriebnahme des Gerätes mit dem Werkstück in Kontakt gebracht werden.
- Halten Sie die Maschine mit beiden Händen fest an den Haltegriffen. Sorgen Sie für sicheren Stand und halten Sie jederzeit das Gleichgewicht.
- Die Maschine immer fest mit beiden Händen und bei sicherem Stand halten.
- Stellen Sie sicher, dass sich die Fräse während der Fräsarbeiten im Zentrum der Kopierhülse befindet, um so Verletzungen und Schäden am zu bearbeitenden Werkstück zu vermeiden.
- Es sollte nie über metallische Gegenstände, Nägel und Schrauben gefräst werden.
- Halten sie während der Arbeiten die Hände vom Fräskopf fern.
- Verändern Sie nie die Schnitttiefe bei laufendem Motor. Ein Fehler kann hierbei zu Verletzungen und Schäden an der Fräse oder am Werkstück führen.
- Führen Sie die Fräsarbeiten mit größter Aufmerksamkeit durch und halten Sie die Fräse während des Betriebs frei von jeglichen Fremdkörpern.
- Betätigen Sie nach Abschluss der Fräsarbeiten den Spannhebel, damit das Gerät wieder zum oberen Ausgangspunkt zurückkehrt.
- Stellen Sie sicher, dass der Motor nach Abschluss der Arbeiten vollständig zum Stillstand gekommen ist, bevor sie die Fräsmaschine entfernen.
- Werkzeuge vor Schlag und Stoss schützen.
- Vermeiden Sie nach Abschluss der Fräsarbeiten jeglichen Kontakt mit dem Fräswerkzeug. Dies könnte zu ernsthaften Verbrennungen führen.

KURZBESCHREIBUNG

Dieses Gerät ist für den Einsatz von entsprechenden Rotationsfräsen zum Fräsen von Nuten, Kanten, Profilen und Langlöchern auf einer festen Oberfläche und von Werkstücken aus Holz, synthetischen Stoffen und leichtem Baumaterial sowie für Kopierfräsarbeiten entwickelt worden.

Mit entsprechenden Fräsen und niedrigen Drehzahlen können auch Nichteisen-Metalle bearbeitet werden.

VOR DER INBETRIEBNAHME DIESER MASCHINE

Vergewissern Sie sich, dass die Netzspannung korrekt ist: die auf dem Typenschild angegebene Spannung muss der Netzspannung entsprechen. Die Geräte mit 230 V können auch an eine Netzspannung mit 220 V angeschlossen werden.

Die Maschine wird mit Hilfe des Hebels **A** ein- und ausgeschaltet. Durch Betätigung des Hebels nach oben (I-ON) wird das Gerät in Betrieb genommen. Durch Betätigung des Hebels nach unten (0-OFF) wird das Gerät ausgeschaltet.

Geschwindigkeitsregler. Konstantelektronik

Die Regelelektronik ermöglicht eine stufenlose Voreinstellung der Drehzahl und Schlagfrequenz, um die Maschine an den zu bearbeitenden Werkstofftyp anzupassen. Die Einstellung erfolgt über den 6-stufigen Geschwindigkeitsregler **L**, womit die Geschwindigkeit eingestellt wird.

Je höher die Drehzahl, desto höher die Geschwindigkeit und die Schlagenergie. Durch den Einstellbereich des Schalters von "1" (niedrige Leistung) bis "6" (volle

Leistung) erhält man ein sehr flexibles Werkzeug, das sich an sehr unterschiedliche Anwendungen anpassen lässt.

Die stufenlose Geschwindigkeitssteuerung hält die eingestellte Drehzahl und Schlagfrequenz konstant.

Bei der Einstellung der gewünschten Arbeitsgeschwindigkeit beachten Sie das Etikett der Geschwindigkeitsregulierung **N**.

Drehzahltafel

Material	Ø Fräser	Drehzahlstufen
Hartholz (Buche)	4-10 mm	5-6
	12-20 mm	3-4
	22-40 mm	1-2
Weichholz (Kiefer)	4-10 mm	5-6
	12-20 mm	3-6
	22-40 mm	1-3
Pressholzplatten	4-10 mm	3-6
	12-20 mm	2-4
	22-40 mm	1-3
Kunststoffe	4-15 mm	2-3
	16-40 mm	1-2
Aluminium	4-15 mm	1-2
	16-40 mm	1

Die Werte dieser Tabelle sind Orientierungswerte. Die erforderliche Drehzahl hängt vom Material und den jeweiligen Arbeitsbedingungen ab. Es wird empfohlen, die erforderliche Drehzahl durch Versuche mit der Maschine zu bestimmen.

AUSWAHL UND EINSETZEN DES FRÄSERS

1.1. Auswahl des Fräasers

Je nach Bearbeitung und Einsatzzweck sind Fräswerkzeuge in den verschiedensten Ausführungen und Qualitäten verfügbar:

- **Fräswerkzeuge aus Hochleistungsschnellschnittstahl (HSS):** sind zur Bearbeitung weicher Werkstoffe wie zum Beispiel Weichholz und Kunststoff geeignet.
- **Fräswerkzeuge mit Hartmetallschneiden (HM):** sind speziell für harte und abrasive Werkstoffe wie zum Beispiel Hartholz und Aluminium geeignet.

WARNHINWEIS! Nur Fräswerkzeuge verwenden, deren zulässige Drehzahl mindestens so hoch ist wie die höchste Leerlaufdrehzahl des entsprechenden Gerätes. Der Schaftdurchmesser des Fräasers muss mit dem Innendurchmesser der Werkzeugaufnahme (Spannzange) übereinstimmen.

1.2. Fräswerkzeug einsetzen

WARNHINWEIS! Vor allen Arbeiten am Gerät ist der Netzstecker zu ziehen.

Beim Einsetzen und Wechseln von Fräswerkzeugen wird das Tragen von Schutzhandschuhen empfohlen.

1. Zum Einsetzen des Fräswerkzeugs den Arretierknopf der Haltezugenspinde **B** so betätigen, dass er mit der Planseite der Spindel abschließt.
2. Mit dem Maulschlüssel (22 mm) die Befestigungsmutter der Haltezange **D** entgegen Uhrzeigersinn lockern.
3. Das Fräswerkzeug so einsetzen, dass der Fräserschaft mindestens 20 mm (Schaftlänge) in die Haltezange eingeschoben wird.
4. Die Befestigungsmutter der Haltezange **D** mit dem Maulschlüssel anziehen und den Spannhebel der Haltezugenspinde **B** freigeben.

ACHTUNG: Befestigungsmutter der Haltezange **D** nicht anziehen, wenn kein Fräser eingesetzt ist.

FRÄSTIEFE EINSTELLEN

WARNHINWEIS! Die Einstellung der Frästiefe darf nur im ausgeschalteten Zustand erfolgen.

Die Frästiefe kann entsprechend der durchzuführenden Arbeit eingestellt werden.

Das Gerät verfügt über einen Frästiefenanschlag **E**, dessen oberer Teil mit der Skala **M** als Referenz für die Feineinstellung der Frästiefe dient.

Bei größeren Frästiefen ist es empfehlenswert, mehrere Bearbeitungsgänge mit geringerer Spanabnahme vorzunehmen.

Spannhebel **H** betätigen und langsam den oberen Teil des Geräts gegen den Tiefenanschlag **E** drücken. Durch Loslassen des Spannhebels **H** Gerät arretieren.

Durch Drücken des Arretierknopfes **G** wird der Tiefenanschlag **E** aufgehoben und so eine fließende Einstellung des Tiefenanschlags ermöglicht.

Zum Feststellen der Maschine auf einer bestimmten Arbeitshöhe den Spannhebel **H** drehen.

Zur Vermeidung des Leerlaufs der Maschine den Reguliergriff für Frästiefeneinstellung **C** bis zum gewünschten Punkt drehen.

Mit der Frästiefenvoreinstellung **F** kann der Fräsvorgang in 3 Stufen aufgeteilt werden. Zuerst wird die gewünschte Frästiefe in der tiefsten Stufe der Frästiefenvoreinstellung **F** eingestellt. Danach können die ersten Bearbeitungsgänge in den Stufen mit geringerer Frästiefe ausgeführt werden.

ACHTUNG: Für Fräsarbeiten mit größeren Durchmesser sollte die Frästiefe auf den Minimalwert eingestellt werden und die Bearbeitung in mehreren Schritten erfolgen.

Bei Beginn der Fräsarbeiten das Fräswerkzeug langsam bis zur gewünschten Tiefe führen, dabei das Gerät stets mit beiden Händen fest und sicher halten.

ARBEITSHINWEISE

ACHTUNG: Vor jeder Änderung der Maschineneinstellungen ist der Netzstecker zu ziehen.

WARNHINWEIS! Das Fräsen muss stets gegen die Umlaufrichtung des Fräasers erfolgen (siehe Abb. 4). Beim Fräsen mit der Umlaufrichtung (Gleichlauf) kann die Oberfräse dem Bedienenden aus der Hand gerissen werden und dies Verletzungen zur Folge haben.

1.1. Fräsvorgang

1. Die Frästiefe wie zuvor beschreiben einstellen.
2. Das Gerät nur auf ein richtig und sicher befestigtes Werkstück setzen und anschließen.
3. Den Fräsvorgang mit gleichmäßigem Vorschub ausführen.
4. Nach Beendigung des Fräsvorgangs das Gerät nach oben führen und ausschalten.

1.2. Fräsen mit Parallelanschlag

Zum Aufbau den Parallelanschlag mit den Führungsstangen in die Fußplatte **P** einsetzen und mit den Flügelschrauben **V** entsprechend dem erforderlichen Maß festziehen.

Nach dem Lockern der beiden Flügelschrauben **V** kann der Parallelanschlag wieder mit der Feineinstellung **S** angepasst werden. Die gewünschte Länge wird mit Hilfe

der Einteilung in Zoll und Millimeter auf dem seitlichen Anschlag **I** eingestellt.

Mit dem Auflagelineal der Frästiefe **S** kann die Kontaktoberfläche des Parallelanschlags vergrößert werden.

1.3. Fräsen mit Kopierhülse

Mit Hilfe der Kopierhülse **U** können Konturen von Vorlagen oder Schablonen auf Werkstücke übertragen werden.

Einsetzen der Kopierhülse

Zur Verwendung der Kopierhülse **U** muss diese von oben in den unteren Teil der Grundplatte **P** eingesetzt und mit den Schrauben befestigt werden.

WARNHINWEIS! Beim Einsetzen ist auf den korrekten Sitz der Kopierhülse zu achten.

1.4. Kanten- oder Formfräsen

Beim Kanten- oder Formfräsen ohne Parallelanschlag muss das Fräswerkzeug mit einem Führungszapfen oder einem Kugellager (optionales Zubehör) ausgerüstet sein.

Das Gerät von der Seite an das Werkstück heranzuführen und einfräsen, bis der Führungszapfen oder das Kugellager des Fräswerkzeugs an der zu bearbeitenden Werkstückkante anliegt. Das Gerät mit beiden Händen an der Werkstückkante entlangführen, dabei auf winkeltreue Auflage achten. Zu starker Druck kann die Kante des Werkstücks beschädigen.

ABSAUGEN DES SCHLEIFSTAUBES

WARNHINWEIS! Vergewissern Sie sich vor dem Anbringen und Abnehmen einer Absaugvorrichtung für den Staub immer, dass das Werkzeug abgeschaltet und der Netzstecker abgezogen ist.

Diese Fräsmaschinen verfügen über einen Absaugadapter, an den universelle Allzwecksauger oder sonstige Absauggeräte angeschlossen werden können.

ACHTUNG: Verwenden Sie stets ein Absauggerät, dass die entsprechenden Richtlinien in Bezug auf Staub- und Spanabsaugung bei Holzfräsarbeiten erfüllt. An die Staubaus-laßöffnung können die Schläuche der meisten Staub-sauger angeschlossen werden.

Absaugadapter montieren

ACHTUNG: Vor Montage des Absaugadapters **K** ist der Spannhebel **H** zu drücken, damit der obere Geräteteil zu seinem oberen Ausgangspunkt zurückkehrt.

Zum Einbau den Absaugadapter **K** in die quadratische Öffnung der Fußplatte **P** einsetzen (bis er einrastet) und mit den Flügelschrauben **R**, die sich an beiden Seiten des Absaugadapters **K** befinden, befestigen.

Damit stets optimales Absaugen des Spanmaterials gewährleistet ist, sollte der Absaugadapter **K** regelmäßig gereinigt werden.

Das Absauggerät muss für den zu bearbeitenden Werkstoff geeignet sein.

Beim Absaugen von gesundheitsschädlichen oder sogar krebserregenden, trockenen Stäuben ist ein Spezialsauger zu verwenden.

Bei längeren Holzfräsarbeiten oder dem industriellen Einsatz des Geräts an Werkstoffen, die gesundheitsschädlichen Staub entwickeln, ist ein entsprechendes externes Absauggerät an die Fräse anzuschließen.

LÄRM UND VIBRATIONEN

Das Werkzeug wurde für eine minimale Geräuschentwicklung konstruiert und gebaut. **Unter besonderen Bedingungen jedoch kann das maximale Geräuschniveau im Arbeitsbereich 85 dBA überschreiten. In diesem Fall muss sich der Benutzer durch einen Gehörschutz schützen.**

Die Schall- und Vibrationsniveaus des Geräts bei einer Messung gemäß der Norm EN60745-1 liegen normalerweise bei:

Dauerschalldruckpegel = 89 dB(A)

Schalleistungspegel = 102 dB(A)

Tragen Sie einen Gehörschutz!

Hand- Armvibration = 4,5 m/s²

ZUBEHÖR

Das Zubehör und die entsprechenden Bestellnummer finden Sie in unseren Katalogen.

WARTUNG UND PFLEGE

WARNHINWEIS–Ziehen Sie vor der Durchführung von Arbeiten an der Maschine immer zuerst den Netzstecker aus der Steckdose.

- **Prüfung des Werkzeugs:** Die Verwendung eines abgenutzten Bohrers verringert die Arbeitsleistung und könnte zu Schäden am Motor führen. Daher müssen die Bohrwerkzeuge nachgeschliffen oder ersetzt werden, sobald deren Abnutzung festgestellt wird.
Täglich: Reinigung des Werkzeugträgers.

- Achten Sie darauf, dass die Fräswerkzeuge stets geschliffen und scharf sind, um so ein optimales Arbeitsergebnis zu erzielen.

- **Überprüfung der Montageschrauben:** Überprüfen Sie in regelmäßigen Abständen, dass die Montageschrauben fest angezogen sind, und ziehen Sie eine lose Schraube sofort wieder fest an. Dies könnte sonst eine ernsthafte Gefahr darstellen.

- **Wartung des Motors:** Achten Sie darauf, dass kein Öl oder Wasser in den Motor eindringen kann.

- **Ersatz der Kohlebürsten:** Die Kohlebürsten verfügen über eine automatische Abschaltung und müssen nach ca. 150-200 Arbeitsstunden oder bei einer Länge von unter 10 mm ersetzt werden. Wenden Sie sich zur Durchführung des Austauschs an eines der Kundendienstcenter.

- Reinigen Sie die Maschine nach der Arbeit mit trockener Druckluft.

- Die Belüftungsschlitze der Maschine müssen immer frei sein.

- Überprüfen Sie den korrekten Zustand des Netzkabels. Sollte dieses beschädigt oder abgenutzt sein, wenden Sie sich zur Durchführung des Austauschs an eines der Kundendienstcenter.

- Verwenden Sie nur Originalzubehör und Originalersatzteile von **Felisatti**. Jene Teile, die in der Bedienungsanleitung nicht beschrieben sind, müssen in einem Kundendienstcenter von **Felisatti** ersetzt werden (Siehe Blatt Garantie / Anschriften der Kundendienstcenter).



Werfen Sie Elektrowerkzeuge nicht in den Hausmüll!

Gemäß Europäischer Richtlinie 2002/96/EG über Elektro- und Elektronik-Altgeräte und Umsetzung in nationales Recht müssen verbrauchte Elektrowerkzeuge getrennt gesammelt und einer umweltgerechten Wiederverwertung zugeführt werden.

GARANTIE

Siehe allgemeine Garantiebedingungen, die dieser Betriebsanleitung als Anlage beigefügt werden.



KONFORMITÄTSERKLÄRUNG

Wir erklären unter unserer eigenen Verantwortung, dass dieses Produkt **FELISATTI**: RF62/2200VE konform zu folgenden Normen ist EN60745-1:2008, EN60745-2-17:2003, EN55014-1:2006+A1, EN55014-2:1997+A1+A2, EN61000-3-2:2006+A1+A2 und EN61000-3-3:2008, gemäß den Richtlinien 2006/42/EG, 2006/95/EG, 2004/108/EG und 2002/95/EG.



Francisco Ruiz
Dir. Werk

Recht auf technische Änderungen vorbehalten 07/2011

ESPECIFICAÇÕES TÉCNICAS

Fresadora		RF62/2200VE
Potência absorvida	W	2200
Velocidade em vazio	rpm	11800-21000
∅ Sustentação da fresa	mm	12
Deslocamento longitudinal	mm	0-67
∅ Máximo fresa	mm	60
Peso máquina (sem acessórios)	kg	5,6
Altura total da máquina	mm	305

Respeitar fielmente as instruções contidas neste manual, lê-lo com atenção e tê-lo à mão para eventual controlo das partes indicadas.

Se a máquina for utilizada com cuidado e se efectuar regularmente a sua manutenção, trabalhará melhor e durante mais tempo.

As funções e o uso da ferramenta que você comprou são só e exclusivamente as indicadas neste manual. **É totalmente proibida qualquer outra utilização da ferramenta.**

FIGURAS

DESCRIÇÃO (Ver figuras indicadas)

- A Alavanca interruptor ON/OFF (Fig.2 e Fig.5)
- B Botão de bloqueio do eixo porta-piça (Fig.1)
- C Manivela regulação profundidade (Fig.1)
- D Porca de fixação piça (Fig.5)
- E Limite profundidade (Fig.1)
- F Limite escalonado (Fig.1)
- G Botão de bloqueio (Fig.1)
- H Alavanca de fixação (Fig.2 e Fig.5)
- I Limite lateral (Fig.2)
- J Protecção transparente frontal (Fig.1)
- K Adaptador aspiração pó (Fig.5 e Fig.6)
- L Regulador de velocidade (Fig.2)
- M Escala regulação profundidade (Fig.1)
- N Etiqueta regulação velocidade (Fig.2)
- O Punhos (Fig.1 e Fig.2)
- P Placa base (Fig.1)
- Q Placa de deslizamento (Fig.3 e Fig.5)
- R Parafuso de orelhas do adaptador aspiração pó (Fig.6)
- S Régua limite (Fig.2)
- T Ajuste fino limite paralelo (Fig.3)
- U Casquilho copiador (Fig.3)
- V Parafuso de orelhas (Fig.5 e Fig.6)

EQUIPAMENTO DA MÁQUINA

- Limite lateral
- Piça ∅12 mm e ∅8 mm
- Chave fixa 22 mm e de 8 mm
- Protecção transparente
- Adaptador de aspiração pó
- Casquilho copiador
- Manual de instruções de funcionamento
- Instruções de segurança
- Documento de garantia

INSTRUÇÕES DE SEGURANÇA

- Ver o manual anexo "Instruções de segurança" que se fornece conjuntamente com o presente manual de instruções.
- **ATENÇÃO!** Ao fresar materiais de amianto/asbesto e/ou pedras de silício, p pó que se produz é prejudicial para a sua saúde. Siga as instruções de segurança da seguradora que garante a responsabilidade dos seus trabalhadores.
- Para a sua própria segurança, ligue sempre a máquina a uma rede eléctrica protegida por diferencial e interruptor magnetotérmico, conforme normas estabelecidas para instalações eléctricas de baixa tensão.
- Não perfure a carcaça da máquina, porque pode danificar o isolamento de protecção (utilizar rótulos adesivos).
- Tire sempre a ficha da tomada antes de efectuar qualquer trabalho na máquina.
- Para desligar a máquina deve utilizar sempre o interruptor, e nunca retirando a ficha da tomada.
- **ATENÇÃO!** Cada vez que precisar utilizar a máquina verifique o estado da ficha e do cabo. Caso estejam estragados, substitua-os num centro técnico oficial. Introduza a ficha na tomada de rede só com o aparelho desligado.
- Mantenha sempre o cabo afastado do raio de acção da máquina.
- Ligar a máquina à rede apenas em posição desligada.
- Não permita que a máquina se molhe nem a use em ambientes húmidos.
- Ao utilizar a máquina, use sempre óculos de protecção, luvas, calçado de segurança antidescizante, assim como é recomendável usar protectores auditivos.
- Comprovar a correcta sujeição da peça de trabalho antes de começar qualquer operação.
- Utilizar unicamente utensílios de fresar cujas revoluções admissíveis sejam, pelo menos, iguais às revoluções máximas em vazio do aparelho.
- O diâmetro da haste da fresa deve corresponder ao diâmetro interior do porta-utensílios (piça de fixação).
- Antes de pôr em funcionamento a ferramenta, certifique-se de que o utensílio de fresar está firmemente preso.
- Accionar apenas a alavanca de apoio do eixo porta piça com a máquina parada.
- A fresadora tem que se aproximar da peça de trabalho apenas depois de ligada.
- Agarrar firmemente a máquina pelos punhos. Caso contrário, a força contrária produzida poderá causar um funcionamento impreciso e mesmo perigoso.

- Sustar sempre a máquina com firmeza com ambas as mãos, mantendo uma posição estável.
- Certifique-se de que a fresa está no centro do casquilho copiador quando a utilizar, para evitar feridas ou danos na peça em elaboração.
- Nunca se deve fresar sobre objectos metálicos, pregos e parafusos.
- Mantenha afastadas as mãos da fresa em funcionamento.
- Nunca ajuste a profundidade do corte enquanto o motor está em marcha. Um engano durante este tempo pode provocar uma ferida e danificar a fresa ou o trabalho.
- Mantenha-se alerta e guarde a fresa livre de todos os objectos alheios durante o funcionamento.
- Ao terminar de fresar, accionar a alavanca de fixação para que o aparelho regresse à sua posição superior de partida.
- Certifique-se de que o motor está completamente parado antes de afastar a fresadora entre cada utilização.
- Proteger os utensílios contra choques e golpes.
- Nunca toque as fresas da fresadora depois da sua utilização, podem produzir graves queimaduras.

DESCRIÇÃO ABREVIADA

Esta ferramenta está desenhada para ser equipada com fresas rotativas adequadas para fresar sobre uma base firme, ranhuras, cantos, perfis e orifícios rasgados em materiais de madeira, sintéticos e de construção ligeiros e para realizar fresados com copiador.

Com as fresas adequadas e revoluções baixas, poderão trabalhar-se também metais não férreos.

ANTES DE USAR ESTA FERRAMENTA

Assegure-se de que a tensão da rede é a correcta: A indicação de tensão na placa de características deve coincidir com a tensão de rede. Os aparelhos a 230V podem ligar-se também a uma tensão de rede de 220V.

A máquina põe-se em funcionamento e para-se, através da alavanca **A**. Pressionando a mesma para cima (I-ON) põe-se em funcionamento. Apertando para a base (0-OFF), para-se.

Regulador de velocidade. Electrónica constante

A electrónica de regulação permite um pré-ajuste contínuo das revoluções e da cadência de impacto para adaptar a máquina ao tipo de material em que se vai trabalhar. O ajuste realiza-se mediante o regulador de velocidade **L** que tem 6 posições e segundo estas poder-se-á regular a velocidade.

Quanto mais alto for o número, maiores serão a velocidade e a energia de impacto. A gama de ajustes do controlo desde "1" (baixa potência) a "6" (plena potência) permite que a ferramenta seja muito flexível e possa adaptar-se a aplicações muito diversas.

O Controlo de velocidade constante mantém as revoluções e a cadência de impacto pré-ajustadas.

Para trabalhar com a velocidade desejada consultar a etiqueta de regulação de velocidade **N**.

Tabela de revoluções

Material	Ø fresa	Etapas de revoluções
Madeira dura (faia)	4-10 mm	5-6
	12-20 mm	3-4
	22-40 mm	1-2
Madeira macia (pinho)	4-10 mm	5-6
	12-20 mm	3-6
	22-40 mm	1-3
Tábuas de aglomerado de madeira	4-10 mm	3-6
	12-20 mm	2-4
	22-40 mm	1-3
Materiais sintéticos	4-15 mm	2-3
	16-40 mm	1-2
Alumio	4-15 mm	1-2
	16-40 mm	1

Os valores desta tabela são orientadores. As revoluções necessárias dependem do material e das condições de trabalho. É recomendável determiná-las experimentando a máquina.

MONTAGENS E SELECÇÃO DA FRESA

1.1. Selecção da fresa

Consoante os materiais a trabalhar poderemos escolher entre as seguintes qualidades de fresa:

Fresas de aço de corte rápido de alto rendimento (HSS): adequadas para trabalhar materiais macios como p.ex. madeira macia e plástico.

Fresas com lâminas de metal duro (HM): adequadas para trabalhar materiais duros e abrasivos como p.ex. madeira dura e alumínio.

ATENÇÃO! As fresas que se utilizem deverão estar homologadas segundo as revoluções máximas definidas das respectivas ferramentas. O diâmetro da haste da fresa deve corresponder ao diâmetro interior do porta-utensílios (pinça de fixação).

1.2. Montagem da fresa

ATENÇÃO! Antes de qualquer manipulação no aparelho extrair a tomada da rede.

Ao realizar a montagem e desmontagem da fresa é recomendado usar luvas de protecção.

1. Para montar a fresa pressionar o botão de bloqueio do eixo porta-pinça **B** fazendo que coincida com os planos do eixo.
2. Com a chave fixa de 22mm afrouxar a porca de fixação da pinça **D** em sentido contrário aos ponteiros do relógio.
3. Introduzir a fresa de maneira a que a sua haste penetre na pinça pelo menos 20mm (longitude da haste).
4. Apertar a porca de fixação da pinça **D** com a chave fixa e soltar a alavanca de fixação do eixo porta-pinça **B**.

PRECAUÇÃO: Não aperte a porca de fixação pinça **D** sem que na pinça seja introduzida uma fresa.

AJUSTE DA PROFUNDIDADE DE FRESADO

ATENÇÃO! O ajuste da profundidade de fresado deve efectuar-se apenas com o aparelho desligado.

A profundidade de fresado pode ajustar-se consoante o trabalho a realizar.

A máquina tem um limite de profundidade **E** cujo plano superior serve de referência com a escala graduada **M** para afinar a profundidade de fresado.

Para cortes profundos, é recomendável fazê-lo em vários passos com uma espessura de serradura reduzida.

Ligar a alavanca de fixação **H** e empurrar lentamente a parte superior do aparelho contra o limite de profundidade **E**. Encravar o aparelho soltando a alavanca de fixação **H**.

Pressionando o botão de bloqueio **G** é desbloqueado o limite de profundidade **E** facilitando uma regulação ágil do limite.

Para imobilizar a máquina a uma altura de trabalho determinada, apertar a alavanca de fixação **H**.

Para evitar o funcionamento em vazio, girar a manivela de regulação de profundidade **C** até ao retrocesso desejado.

Com o limite escalonado **F** é possível efectuar o fresado em 3 etapas. Para começar, ajustar a profundidade de fresado na posição mais baixa do limite escalonado **F**. Seguidamente pode efectuar-se o fresado nas posições de menor profundidade.

PRECAUÇÃO: Para cortes de grande diâmetro é melhor pôr a profundidade no mínimo e continuar a cortar por etapas.

Ao iniciar o trabalho fazer entrar a fresa lentamente até à profundidade desejada e iniciar o avanço agarrando sempre a máquina com as duas mãos.

INDICAÇÕES PARA O TRABALHO.

PRECAUÇÃO: Desligue sempre a tomada antes de realizar qualquer ajuste na máquina.

ATENÇÃO! O fresado deve realizar-se sempre em direcção contrária ao sentido de rotação da fresa (segundo Fig.4). Um avanço no sentido contrário pode fazer ressaltar a máquina e provocar um acidente.

1.1. Fresado

1. Ajustar a profundidade de fresado da maneira descrita previamente.
2. Ligar e colocar o aparelho sobre a peça de trabalho, correctamente sujeita.
3. Fresar com um avanço uniforme.
4. Ao terminar de fresar, empurrar a parte superior do aparelho para cima e desligá-lo.

1.2. Fresado com limite paralelo

Para montar o limite paralelo e com as varetas guia na placa base **P** e agarrando-o com os parafusos de orelha **V** de acordo com a medida requerida.

Depois de afrouxados ambos os parafusos de orelha **V**, pode reajustar-se o limite paralelo com o ajuste fino **S**. Ajustar a longitude desejada com as divisões com polegadas e milímetros marcadas no limite lateral **I**.

Com a régua limite **S** pode aumentar-se a superfície de contacto do limite paralelo.

1.3. Fresado com casquilho copiador

O casquilho copiador **U** permite fresar contornos sobre a peça de trabalho de acordo com um padrão ou molde.

Montagem do casquilho copiador

Para poder utilizar o casquilho copiador **U** deve ser montado na parte inferior da base de apoio **P** por cima e fixado com os parafusos.

ATENÇÃO! Ao montá-lo, é imprescindível verificar que a posição é correcta.

1.4. Fresado de cantos lisos ou perfilados

Ao fresar cantos lisos ou perfilados, sem o limite paralelo, é necessário que o utensílio de fresar esteja dotado de uma haste guia ou rolamento de bolas (acessório opcional).

Aproximar lateralmente o aparelho em funcionamento contra a peça de trabalho até que a haste guia ou o rolamento de bolas do utensílio de fresar assente contra a margem da peça de trabalho. Guiar o aparelho com ambas as mãos, sempre perpendicular à superfície, ao longo da margem da peça. Uma pressão excessiva de aplicação pode chegar a danificar o canto da peça.

Estas fresadoras estão dotadas de um adaptador de aspiração de pó no qual se pode adaptar um aspirador universal ou qualquer outro dispositivo de aspiração de pó.

ASPIRAÇÃO DA POEIRA E SERRADURA

ADVERTÊNCIA! Assegure-se sempre de que a ferramenta está desligada e com a ficha retirada da tomada, antes de instalar ou extrair qualquer dispositivo de aspiração de poeira.

A aspiração da poeira reduz a sujidade no local de trabalho, evita um elevado conteúdo de poeira no ar a respirar e facilita a eliminação de resíduos.

PRECAUÇÃO: Utilize sempre um extractor de aspiração desenhado de acordo com as directrizes aplicáveis em relação à emissão de pó ao fresar madeira. Os tubos flexíveis de aspiração dos aspiradores mais comuns são directamente ajustados à abertura de extracção de poeira.

Montagem do adaptador para aspiração de pó

PRECAUÇÃO: Antes de montar o adaptador para aspiração **K** pressionar a alavanca de fixação **H** para que a parte superior do aparelho ascenda à posição superior.

Para montar o adaptador para aspiração de pó **K**, deve ser inserido na abertura quadrada da placa base **P** até que encaixe) e fixá-lo com os parafusos de orelha **R** situados em ambos os lados do mesmo adaptador **K**.

Para manter uma extracção óptima da serradura deve limpar-se periodicamente o adaptador para aspiração **K**

O aspirador deve ser o adequado ao material a trabalhar. Em caso de extrair pó seco nocivo para a saúde ou, inclusivamente, cancerígeno, deve utilizar-se um aspirador especial.

No caso de trabalhar prolongadamente em madeira ou de ser utilizado industrialmente em materiais que provoquem pó nocivo para a saúde, deve ligar-se o aparelho a um dispositivo para aspiração externa adequada.

RUÍDO E VIBRAÇÃO

A ferramenta foi desenhada e construída para reduzir ao mínimo os ruídos, mas apesar disto, **em especiais condições, o nível de ruído máximo no lugar de trabalho poderia ser superior a 85 dBA. Neste caso, o operador deve proteger-se do ruído excessivo por meio da utilização de protectores auditivos.**

Os níveis de ruído e vibração da máquina, medidos conforme a norma EN60745-1, elevam-se normalmente a:

Pressão acústica = 89 dB(A)

Potência acústica = 102 dB(A)

Usar protectores auditivos!

Aceleração de vibração = 4,5 m/s²

ACESSÓRIOS

Os acessórios e os seus correspondentes números para encomenda estão presentes nos nossos catálogos.

MANUTENÇÃO E CUIDADOS

ADVERTÊNCIA—Desligue sempre a ficha da tomada antes de efectuar qualquer trabalho na máquina.

- **Inspecção da ferramenta:** A utilização de uma ferramenta de corte gasta diminuirá a eficiência de trabalho e poderá causar danos no motor, portanto é necessário afiar ou mudar as ferramentas de corte imediatamente depois de se notar abrasão nelas.
Todos os dias: Limpar o mandril.

- Deve tentar-se que as fresas estejam sempre afiadas para um trabalho óptimo.

- **Inspecionar os parafusos de montagem:** Inspecionar regularmente todos os parafusos de montagem e verificar que se encontram apertados firmemente. Se qualquer parafuso se encontrar solto, voltar a apertá-lo imediatamente. Não fazer tal poderá resultar num risco sério para si.

- **Manutenção do motor:** Tenha o maior cuidado para que a bobinagem do motor não se estrague e/ou se humedeca com óleo ou água.

- **Substituição das escovas:** As escovas são de desconexão automática e devem ser substituídas ao fim de aproximadamente 150 - 200 horas de trabalho ou quando o seu comprimento for inferior a 10 mm. Para tal, deve ir a um centro de assistência técnica autorizado para efectuar a mudança.

- Limpar de forma esmerada a máquina depois de cada utilização com um jacto de ar seco.

- As ranhuras de ventilação da máquina devem estar sempre limpas.

- Verificar que o cabo de energia se encontra em bom estado e, caso contrário, ir a um serviço de assistência técnica para o substituir.

- Somente devem utilizar-se acessórios e peças sobressalentes **Felisatti**. As peças cujas peças sobressalentes não estão descritas nestas instruções de uso, devem ser substituídas num serviço de assistência técnica **Felisatti** (consulte a brochura Garantia / Endereços de Serviços de Assistência Técnica).



Não coloque as ferramentas eléctricas no lixo doméstico!

De acordo com a Directiva Europeia 2002/96/CE relativa aos resíduos dos equipamentos eléctricos e electrónicos e à conversão no direito nacional, as ferramentas eléctricas usadas devem ser separados e devem ser sujeitos a uma reciclagem que respeite o meio ambiente.

GARANTIA

Ver condições gerais de concessão de Garantia em brochura anexa a estas instruções.



DECLARAÇÃO DE CONFORMIDADE

Declaramos sob a nossa única responsabilidade que os produtos marca **FELISATTI** descritos neste manual RF62/2200VE estão em conformidade às normas ou documentos normalizados seguintes: EN60745-1:2008, EN60745-2-17:2003, EN55014-1:2006+A1, EN55014-2:1997+A1+A2, EN61000-3-2:2006+A1+A2 e EN61000-3-3:2008, de acordo com as directivas 2006/42/CEE, 2006/95/CEE, 2004/108/CEE e 2002/95/CEE.



Francisco Ruiz
Dir. Fábrica

A assinatura manuscrita de Francisco Ruiz, escrita em tinta preta.

Reservado o direito de modificações técnicas 07/2011

ТЕХНИЧЕСКИЕ ДАННЫЕ

Фрезер		RF62/2200VE
Потребляемая мощность	Вт	2200
Скорость на холостом ходу	об/мин	11800-21000
∅ Диаметр фрезерной головки	мм	12
Продольная подача	мм	0-67
∅ Максимальный диаметр фрезы	мм	60
Приблизительный вес (без аксессуаров)	кг	5,6
Общая высота машины	мм	305

Следует тщательно выполнять указания, приведенные в данном руководстве; руководство необходимо внимательно прочитать и хранить в доступном месте для использования в процессе выполнения технического обслуживания указанных деталей.

Бережное обращение с электроинструментом и зарядным устройством, а также соблюдение всех описанных ниже правил по уходу значительно продлят его срок эксплуатации.

Данный электроинструмент должен использоваться только по своему прямому назначению, предусмотренному настоящей инструкцией по эксплуатации. **Категорически запрещается любое другое применение электроинструмента.**

ВНЕШНИЙ ВИД

ОПИСАНИЕ (смотрите рисунок)

- A Переключатель ВКЛ/ВЫКЛ (рис.2 и рис.5)
- B Центральный штырь опоры вала держателя зажима (рис.1)
- C Ручка для регулировки глубины (рис.1)
- D Крепежная гайка зажима (рис.5)
- E Ограничитель глубины (рис.1)
- F Ступенчатый ограничитель (рис.1)
- G Кнопка с фиксатором (рис.1)
- H Рычаг фиксатора (рис.2 и рис.5)
- I Боковой концевой упор (рис.2)
- J Прозрачное переднее ограждение (рис.1)
- K Адаптер для всасывания пыли (рис.5 и рис.6)
- L Регулировка скорости (рис.2)
- M Шкала регулировки глубины (рис.1)
- N Шкала регулировки скорости (рис.2)
- O Ручки (рис.1 и рис.2)
- P Опорная плита (рис.1)
- Q Скользящая плита (рис.3 и рис.5)
- R Барашковый винт адаптера для всасывания пыли (рис.6)
- S Ограничительная планка (рис.2)
- T Точная регулировка параллельного ограничителя (рис.3)
- U Втулка копировального аппарата (рис.3)
- V Барашковый винт (рис.5 и рис.6)

АКСЕССУАРЫ, ВХОДЯЩИЕ В КОМПЛЕКТ ПОСТАВКИ

- Параллельный боковой ограничитель
- Зажим, ∅12 мм и ∅8 мм
- Фиксированный гаечный ключ, 22 мм и 8 мм
- Прозрачное ограждение
- Адаптер для всасывания пыли
- Втулка копировального аппарата
- Инструкция по эксплуатации

- Правила по технике безопасности
- Гарантийный талон

ПРАВИЛА ПО ТЕХНИКЕ БЕЗОПАСНОСТИ

- Смотрите **«Инструкцию по технике безопасности»** которая прилагается вместе с этой инструкцией по эксплуатации.
- **ВНИМАНИЕ!** При фрезеровании материалов из асбеста и/или кремнезема выделяется вредная для здоровья пыль. Соблюдайте нормы и правила, которые устанавливает страховая кампания, страхующая ваших рабочих.
- Для вашей безопасности электроинструмент обязательно должен подключаться к сети, имеющей автоматический выключатель - тепловой и дифференциальный однофазный автомат, предохраняющий электросеть от перегрузок и коротких замыканий.
- Ни в коем случае не делайте отверстий в корпусе электроинструмента, так как это может привести к повреждению обмоток мотора и выходу из строя электроинструмента (при необходимости пользуйтесь наклейками).
- Перед тем, как проводить какие-либо профилактические работы с перфоратором, всегда вынимайте штепсель питающего кабеля из электросети.
- Избегайте попадания кабеля питания на обрабатываемую электроинструментом поверхность.
- **ВНИМАНИЕ!** Перед эксплуатацией электроинструмента проверяйте состояние питающего кабеля и розетки. При наличии каких-либо неисправностей обращайтесь за помощью к квалифицированным специалистам. Вставлять штепсель в розетку только в том случае, когда перфоратор находится в выключенном состоянии.
- Избегайте попадания питающего кабеля рядом с просверливаемым отверстием.
- При подключении питающего кабеля к электросети перфоратор должен быть в выключенном состоянии.
- Запрещается использование электроинструмента во влажной среде. Избегайте попадания воды на перфоратор.
- При работе с перфоратором всегда надевайте защитные очки, перчатки и защитные ботинки с нескользящей подошвой. Также рекомендуется пользоваться средствами звуковой защиты.
- Перед началом выполнения любых работ проверьте, правильно ли выбрана требуемая деталь.

- Следует использовать только такие фрезерные головки, допустимая скорость вращения которых по крайней мере равна максимальной скорости вращения машины при отсутствии нагрузки.
- Диаметр оси фрезерной головки должен соответствовать внутреннему диаметру держателя инструмента (зажим с фиксатором).
- Необходимо гарантировать надежное закрепление фрезерной головки до включения машины.
- Опорный рычаг оси держателя зажима необходимо нажимать только в том случае, когда оборудование остановлено.
- Фрезерная головка может соприкоснуться с обрабатываемой деталью только после включения.
- Машину следует плотно держать за ручки. При несо-блюдении этого правила работа перфоратора делает-ся неточной и даже опасной.
- Во время работы крепко держите электроинструмент обеими руками.
- В процессе использования фрезерная головка должна находиться в центре втулки копировального аппарата; это необходимо для предотвращения травм у персонала и повреждения обрабатываемой детали.
- Фрезерный станок запрещается использовать для обработки металлических предметов типа гвоздей и винтов.
- Берегите руки во время работы на фрезерном станке.
- Запрещается регулировать глубину резания при работающем двигателе. Ошибка на данном этапе может привести к травме и/или повреждению фрезерной головки или обрабатываемой детали.
- Оператор должен соблюдать бдительность и держать фрезерную головку вдали от любых предметов в процессе работы.
- После завершения операции фрезерования необходимо нажать рычаг с фиксатором для возвращения машины в исходное положение.
- Машину можно положить в сторону только после полной остановки двигателя.
- Фрезерные головки следует защищать от толчков и ударов.
- Запрещается прикасаться к фрезерной головке после использования, поскольку это может привести к серьезным ожогам.

КРАТКОЕ ОПИСАНИЕ

Данная машина спроектирована для использования с вращающимися фрезерными головками для фрезерования канавок, краев, профилей и отверстий с шероховатыми краями в твердом основании, древесине, синтетических и легких строительных материалах, а также для фрезерования с использованием копировального аппарата.

За счет использования фрезерных головок надлежащего типа и работы на низких скоростях можно подвергать фрезерованию цветные металлы.

ПОДГОТОВКА К РАБОТЕ

Рабочее напряжение перфоратора указано на табличке характеристик, которая находится на корпусе самого перфоратора. Оно должно совпадать с напряжением электросети. Допускается подключение

перфораторов с номинальным напряжением в 230В к электросети с напряжением в 220В.

Включение машины производится с помощью рычага **A**: при нажатии его вверх (I-ON) происходит запуск машины. Машина останавливается при нажатии этого рычага вниз (0-OFF).

Регулятор скорости. Постоянная электронная скорость

Электронный блок контроля скорости позволяет устанавливать predetermined уровень скорости вращения вала двигателя и соответствующую частоту ударов при отбойных работах. Двигатель вращается на скорости, которая устанавливается оператором в зависимости от типа выполняемой работы. Скорость вращения устанавливается переключателем **L**, который имеет 6 ступеней регулировки. Чем больше цифра, соответствующая отметке, на которую установлен регулятор, тем выше скорость вращения вала и соответственно выше энергия удара при отбойных работах. Широкий спектр регулировки скорости - от «1» (минимальная скорость) до «6» (максимальная скорость) - позволяет оптимально использовать электроинструмент при работе с самыми различными материалами.

Электронный контроль скорости стабильно поддерживает выбранную скорость и соответствующую частоту ударов.

Требуемая рабочая скорость указана на этикетке регулировки скорости **N**.

Таблица скоростей вращения

Материал	Ø фрезерной головки	Ступени скорости вращения
Твердая древесина (бук)	4-10 mm	5-6
	12-20 mm	3-4
	22-40 mm	1-2
Мягкая древесина (сосна)	4-10 mm	5-6
	12-20 mm	3-6
	22-40 mm	1-3
Фанерные панели	4-10 mm	3-6
	12-20 mm	2-4
	22-40 mm	1-3
Синтетические материалы	4-15 mm	2-3
	16-40 mm	1-2
Алюминий	4-15 mm	1-2
	16-40 mm	1

Значения, содержащиеся в этой таблице, являются исключительно ориентировочными. Требуемая скорость вращения зависит от материала и условий работы. Рекомендуется определить эту скорость путем испытания машины.

ВЫБОР И МОНТАЖ ФРЕЗЕРНОЙ ГОЛОВКИ

1.1. Выбор фрезерной головки

В зависимости от обрабатываемых материалов можно выбрать следующие фрезерные головки:

- **Высокоэффективные стальные фрезерные головки, предназначенные для быстрого резания (HSS):** предназначены для обработки мягких материалов типа мягкой древесины и пластика.
- **Фрезерные головки с режущими пластинами из твердого металла (HM):** предназначены для

твердых и абразивных материалов типа жесткой древесины и алюминия.

ВНИМАНИЕ! Используемые фрезерные головки должны быть официально одобрены для работы с максимальным числом оборотов, определенным для соответствующего инструмента. Диаметр оси фрезерной головки должен соответствовать внутреннему диаметру держателя инструмента (зажим с фиксатором).

1.2. Монтаж фрезерной головки

ВНИМАНИЕ! Перед выполнением любых регулировок машины вилку сетевого кабеля следует вынуть из розетки.

В процессе монтажа и удаления фрезерных головок рекомендуется надевать защитные перчатки.

1. Для установки фрезерной головки нажмите на центральный штырь **B** опоры вала держателя зажима таким образом, чтобы он совпал с пазостями вала.
2. С помощью гаечного ключа 22 мм ослабьте крепежную гайку зажима **D** путем ее вращения против часовой стрелки.
3. Вставьте фрезерную головку таким образом, чтобы стержень вошел в зажим по крайней мере на 20 мм.
4. Затяните крепежную гайку зажима **D** с помощью гаечного ключа и отпустите опорный рычаг оси держателя зажима **B**.

МЕРЫ ПРЕДОСТОРОЖНОСТИ: Не затягивайте крепежную гайку зажима **D** в случае, если в зажим не вставлена фрезерная головка.

РЕГУЛИРОВКА РАБОЧЕЙ ГЛУБИНЫ В ПРОЦЕССЕ РАБОТЫ

ВНИМАНИЕ! Регулировка глубины фрезерования в процессе работы может выполняться только при выключенной машине.

Глубина фрезерования в процессе работы может быть скорректирована в зависимости от выполняемой работы.

Машина оборудована ограничителем глубины **E**, верхняя поверхность которого используется вместе с градуированной шкалой **M** плавной регулировки глубины фрезерования в процессе работы.

При резании на большую глубину рекомендуется выполнить несколько проходов с уменьшенной толщиной стружки.

Нажмите на рычаг фиксатора **H** и медленно прижмите верхнюю часть машины к ограничителю глубины **E**. Заблокируйте машину путем расщепления рычага фиксатора **H**, выполните операцию фрезерования.

При нажатии кнопки с фиксатором **G** происходит разблокирование ограничителя глубины **E**, что представляет собой простой метод регулировки ограничителя.

При нажатии на рычаг фиксатора **H** машина фиксируется на определенной рабочей высоте.

Для предотвращения работы при отсутствии нагрузки поверните рукоятку регулировки глубины **C** до получения требуемого расстояния возврата.

При использовании ступенчатого ограничителя **F** операцию фрезерования можно выполнить в три этапа. В начале работы необходимо

отрегулировать глубину фрезерования в самом нижнем положении ступенчатого ограничителя **F**. Затем операцию фрезерования можно выполнить в более высоких положениях.

МЕРА ПРЕДОСТОРОЖНОСТИ: Для разрезов большого диаметра рекомендуется установить минимальную глубину на минимум и продолжить поэтапное резание.

В начале работы фрезерную головку необходимо медленно ввести до получения требуемой глубины, после чего необходимо зауставить головку, удерживая машину обеими руками.

ПРАВИЛА ЭКСПЛУАТАЦИИ

МЕРА ПРЕДОСТОРОЖНОСТИ! Перед выполнением любых регулировок машины ее следует обязательно отключить.

ВНИМАНИЕ! Фактически операция фрезерования всегда производится в направлении, противоположном направлению вращения фрезерной головки (в соответствии с Рис. 4). При перемещении машины в противоположном направлении возникает отдача, что может стать причиной несчастного случая.

1.1. Фрезерование

1. Регулировка глубины фрезерования производится в соответствии с приведенным выше описанием.
2. Включите машину и установите над обрабатываемой деталью, которая надежно удерживается на месте.
3. Равномерно перемещая машину.
4. После окончания фрезерования нажмите верхнюю часть машины вверх и выключите ее.

1.2. Фрезерование с параллельным ограничителем

Для установки параллельного ограничителя с направляющими стержнями в опорную плиту **P** удерживайте его на месте с помощью барашковых винтов **V** в соответствии с требуемым размером.

После ослабления обоих барашковых винтов **V** можно произвести повторную корректировку параллельного ограничителя с помощью регулятора точной настройки **S**. Выставьте требуемую длину с помощью делений в дюймах и миллиметрах, нанесенных на боковой ограничитель **I**.

Можно использовать ограничительную планку **S** для увеличения контактной поверхности параллельного ограничителя.

1.3. Фрезерование с втулкой копировального аппарата

Втулка копировального аппарата **U** обеспечивает возможность фрезерования углов в обрабатываемой детали в соответствии с узором или шаблоном.

Монтаж втулки копировального аппарата

Для использования втулки копировального аппарата **U** ее необходимо установить в нижнюю секцию опорной плиты **P** сверху и закрепить на месте с помощью винтов.

ВНИМАНИЕ! Настоятельно рекомендуем обеспечить правильное положение при монтаже.

1.4. Фрезерование прямых или профильных краев

При фрезеровании прямых или профильных краев при отсутствии параллельного ограничителя фрезерную головку необходимо оснастить

направляющим стержнем или шарикоподшипником (дополнительная принадлежность).

Работающую машину необходимо подвести к обрабатываемой детали таким образом, чтобы она соприкасалась с ее боковой поверхностью так, чтобы направляющий стержень фрезерной головки или шарикоподшипник находился около края обрабатываемой детали. Машину следует направлять обеими руками перпендикулярно поверхности вдоль всей длины края обрабатываемой детали. Приложение избыточного давления может вызвать повреждение края обрабатываемой детали.

ПЫЛЕСБОРНИК

ВНИМАНИЕ! Перед установкой или снятием пылесборника убедитесь в том, что электроинструмент выключен, и кабель питания отключен от электросети.

Пылесборник позволяет избегать загрязнения рабочего места, снижает содержание пыли в воздухе и облегчает сбор опилок.

Данные фрезерные станки оборудованы адаптером, который можно подключить к универсальному вакуумному аспиратору или другому устройству для всасывания пыли.

ПРЕДУПРЕЖДЕНИЕ: Следует всегда использовать всасывающий вытяжной вентилятор, который был спроектирован в соответствии с действующими директивами применительно к образованию пыли в процессе обработки древесины. Если используется обычный пылесос, его шланг можно установить прямо на вывод.

Установка адаптера для всасывания пыли

МЕРА ПРЕДОСТОРОЖНОСТИ: Перед установкой адаптера для всасывания пыли **К** следует нажать на рычаг фиксатора **Н** таким образом, чтобы верхняя часть машины поднялась в верхнее положение.

Для установки адаптера для всасывания пыли **К** его следует вставить в квадратное отверстие в опорной плите **Р** до его полной установки на место, а затем закрепить с помощью барашковых винтов **В**, которые установлены с обеих сторон адаптера **К**.

Для обеспечения оптимального удаления стружки необходимо периодически подвергать чистке адаптер для всасывания **К**.

Вытяжное устройство должно соответствовать обрабатываемому материалу.

В случае образования вредной сухой или канцерогенной пыли необходимо использовать специальное вытяжное устройство.

В случае длительной обработки древесины или промышленного использования машин с материалами, образующими опасную для здоровья пыль, следует подключить внешнее вытяжное устройство.

ШУМ И ВИБРАЦИЯ

При разработке данного инструмента особое внимание уделялось снижению уровня шума. Несмотря на это, **в некоторых случаях уровень шума на рабочем месте может достигнуть 85 дБА. В этой ситуации оператор должен использовать средства звуковой защиты.**

Уровень шума и вибрации перфоратора соответствует стандартам EN60745-1 и имеет следующие характеристики:

Уровень акустического давления = 89 дБ(А)

Уровень акустической мощности = 102 дБ(А)

Пользуйтесь средствами звуковой защиты!

Ускорение вибрации = 4,5 м/с²

АКСЕССУАРЫ

В нашем каталоге представлен широкий выбор различных принадлежностей и аксессуаров, каждый из которых имеет свой порядковый номер.

УХОД

ПРИМЕЧАНИЕ—Перед тем как проводить какие-либо профилактические работы с перфоратором, всегда вынимайте штепсель питающего кабеля из электросети.

- **Проверка электроинструмента:** Использование изношенного сменного инструмента снижает эффективность выполняемой работы и может привести к выходу из строя мотора или редуктора, поэтому необходимо периодически затачивать или заменять износившийся сменный инструмент, как только в этом появляется необходимость.
Ежедневно: следует производить чистку патрона.

- Для обеспечения оптимального результата фрезерные головки должны быть всегда заточены.

- **Осмотр винтов корпуса:** Регулярно проверяйте надежность крепления всех винтов. При обнаружении ослабленного винта немедленно затяните его. В противном случае Вы подвергаете себя риску получения травмы.

- **Уход за электродвигателем:** Необходимо особенно бережно относиться к электродвигателю, избегать попадания воды или масла в его обмотки.

- **Замена щеток:** Щетки автоматически отключаются при их износе. Их необходимо менять после каждых 150 - 200 часов эксплуатации, или когда их длина станет меньше 10 мм. Эта операция должна выполняться только в центрах технического обслуживания, имеющих разрешение на этот вид деятельности.

- После работы тщательно продувайте перфоратор сильной струей сухого воздуха.

- Вентиляционные отверстия электроинструмента должны находиться всегда открытыми и чистыми.

- Перед использованием электроинструмента проверьте исправность кабеля. Если кабель поврежден, то необходимо обратиться в центр технического обслуживания для его ремонта или замены.

- Разрешается использовать только аксессуары и запчасти фирмы **Felisatti**. Замена неисправных деталей, за исключением тех, которые описываются в этой инструкции, должна производиться только в центрах технического обслуживания фирмы **Felisatti** (Смотрите прилагаемый гарантийный талон/ адреса Центров Технического Обслуживания).



**Запрещается выбрасывать
электроинструмент вместе с
бытовыми отходами!**

В соответствии с Директивой ЕС номер 2002/96/ЕС относительно старых электрических и электронных устройств и ее приложением к национальному законодательству бывшие в употреблении электрические приборы необходимо собирать отдельно и утилизировать способами, не наносящими вреда экологии.

ГАРАНТИЯ

Читайте условия гарантии в прилагаемом к инструкции гарантийном талоне.

Внимание! При первых признаках неисправности остановить работу и обратиться в Сервисный Центр.



ДЕКЛАРАЦИЯ О СООТВЕТСТВИИ

Мы со всей ответственностью заявляем, что электроинструменты RF62/2200VE марки **FELISATTI**, описание которых приведено в данной инструкции, соответствуют требованиям следующих нормативных документов: EN60745-1:2008, EN60745-2-17:2003, EN55014-1:2006+A1, EN55014-2:1997+A1+A2, EN61000-3-2:2006+A1+A2 и EN61000-3-3:2008 в соответствии с директивами ЕС 2006/42/ЕС, 2006/95/ЕС, 2004/108/ЕС и 2002/95/ЕС.



Francisco Ruiz
Директор фабрики

Производитель оставляет за собой право вносить
технические изменения 07/2011



Interskol Power Tools S.L.
Ctra. de Sant Joan de les Abadesses s/n
17500 RIPOLL (Girona)
www.felisatti.es