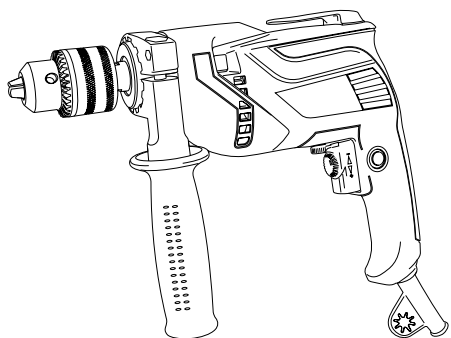


 **FELISATTI**[®]



DI13/650E

- EN** Operating Instructions
- ES** Instrucciones de servicio
- FR** Mode d'emploi
- IT** Istruzioni per l'uso
- DE** Bedienungsanleitung
- RU** Руководство по эксплуатации

IMPACT DRILL

TALADRADORA DE PERCUSIÓN

PERCEUSE À PERCUSSION

TRAPANO BATTENTE

SCHLAGBOHRMASCHINE

**МАШИНА РУЧНАЯ ЭЛЕКТРИЧЕСКАЯ
СВЕРЛИЛЬНАЯ УДАРНАЯ**



ME77



Fig. 1

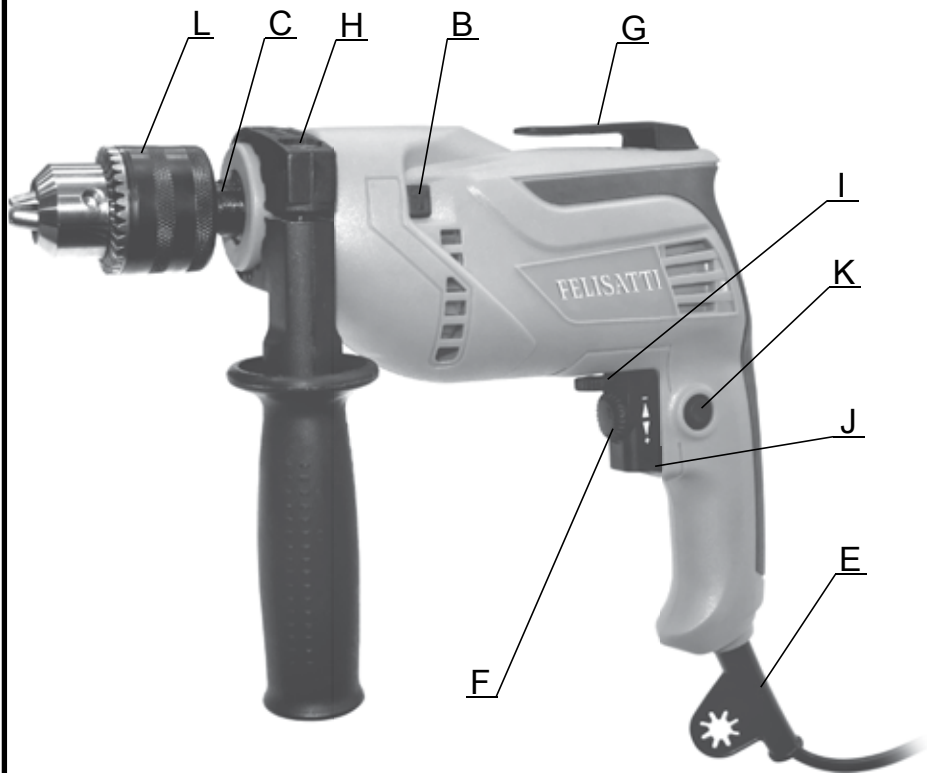
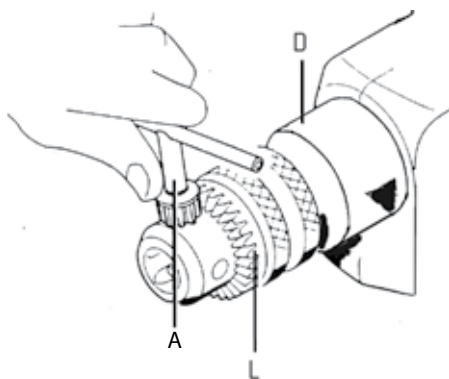


Fig. 2



GENERAL SAFETY RULES



WARNING! Read all instructions. Failure to follow all instructions listed below may result in electric shock, fire and/or serious injury. The term "power tool" in all of the warnings listed below refers to your mains operated (corded) power tool or battery operated (cordless) power tool.

SAVE THESE INSTRUCTIONS

1) Work area

a) **Keep work area clean and well lit.** Cluttered and dark areas invite accidents.

b) **Do not operate power tools in explosive atmospheres, such as in the presence of flammable liquids, gases or dust.** Power tools create sparks which may ignite the dust or fumes.

c) **Keep children and bystanders away while operating a power tool.** Distractions can cause you to lose control.

2) Electrical safety

a) **Power tool plugs must match the outlet. Never modify the plug in any way.** Do not use any adapter plugs with earthed (grounded) power tools. Unmodified plugs and matching outlets will reduce risk of electric shock.

b) **Avoid body contact with earthed or grounded surfaces such as pipes, radiators, ranges and refrigerators.** There is an increased risk of electric shock if your body is earthed or grounded.

c) **Do not expose power tools to rain or wet conditions.** Water entering a power tool will increase the risk of electric shock.

d) **Do not abuse the cord. Never use the cord for carrying, pulling or unplugging the power tool.** Keep cord away from heat, oil, sharp edges or moving parts. Damaged or entangled cords increase the risk of electric shock.

e) **When operating a power tool outdoors, use an extension cord suitable for outdoor use.** Use of a cord suitable for outdoor use reduces the risk of electric shock.

f) **If operating a power tool in a damp location is unavoidable, use a residual current device (RCD) protected supply.** Use of an RCD reduces the risk of electric shock.

3) Personal safety

a) **Stay alert, watch what you are doing and use common sense when operating a power tool. Do not use a power tool while you are tired or under the influence of drugs, alcohol or medication.** A moment of inattention while operating power tools may result in serious personal injury.

b) **Use safety equipment. Always wear eye protection.** Safety equipment such as dust mask, non-slip safety shoes, hard hat, or hearing protection used for appropriate conditions will reduce personal injuries.

c) **Avoid accidental starting.** Ensure the switch is in the off position before plugging in. Carrying power tools with your finger on the switch or plugging in power tools that have the switch on invites accidents.

d) **Remove any adjusting key or wrench before turning the power tool on.** A wrench or a key left attached to a rotating part of the power tool may result in personal injury.

e) **Do not overreach. Keep proper footing and balance at all times.** This enables better control of the power tool in unexpected situations.

f) **Dress properly. Do not wear loose clothing or**

jewellery. Keep your hair, clothing and gloves away from moving parts. Loose clothes, jewellery or long hair can be caught in moving parts.

g) **If devices are provided for the connection of dust extraction and collection facilities, ensure these are connected and properly used.** Use of these devices can reduce dust related hazards.

4) Power tool use and care

a) **Do not force the power tool. Use the correct power tool for your application.** The correct power tool will do the job better and safer at the rate for which it was designed.

b) **Do not use the power tool if the switch does not turn it on and off.** Any power tool that cannot be controlled with the switch is dangerous and must be repaired.

c) **Disconnect the plug from the power source before making any adjustments, changing accessories, or storing power tools.** Such preventive safety measures reduce the risk of starting the power tool accidentally.

d) **Store idle power tools out of the reach of children and do not allow persons unfamiliar with the power tool or these instructions to operate the power tool.** Power tools are dangerous in the hands of untrained users.

e) **Maintain power tools. Check for misalignment or binding of moving parts, breakage of parts and any other condition that may affect the power tools operation.** If damaged, have the power tool repaired before use. Many accidents are caused by poorly maintained power tools.

f) **Keep cutting tools sharp and clean.** Properly maintained cutting tools with sharp cutting edges are less likely to bind and are easier to control.

g) **Use the power tool, accessories and tool bits etc., in accordance with these instructions and in the manner intended for the particular type of power tool, taking into account the working conditions and the work to be performed.** Use of the power tool for operations different from intended could result in a hazardous situation.

5) Service

a) **Have your power tool serviced by a qualified repair person using only identical replacement parts.** This will ensure that the safety of the power tool is maintained.

WARNING! Read all safety warnings and all instructions, given in the Operating Instructions.

SPECIFIC SAFETY AND WARNINGS

Hold power tool by insulated gripping surfaces, when performing an operation where the cutting accessory may contact hidden wiring or its own cord. Cutting accessory contacting a "live" wire may make exposed metal parts of the power tool "live" and could give the operator an electric shock.

Use auxiliary handle, if supplied with the tool. Loss of control can cause personal injury.

Use appropriate detectors to determine if utility lines are hidden in the work area or call the local utility company for assistance. Contact with electric lines can lead to fire and electric shock. Damaging a gas line can lead to explosion. Penetrating a water line causes property damage or may cause an electric shock.

Switch off the power tool immediately when the tool insert jams. Be prepared for high reaction torque that can cause kickback. The tool insert jams when:

- the power tool is subject to overload or
- it becomes wedged in the workpiece.

Hold the machine with a firm grip. High reaction torque can briefly occur while driving in and loosening screws.

Secure the workpiece. A workpiece clamped with clamping devices or in a vice is held more secure than by hand.

Keep your workplace clean. Blends of materials are particularly dangerous. Dust from light alloys can burn or explode.

Always wait until the machine has come to a complete stop before placing it down. The tool insert can jam and lead to loss of control over the power tool.

Never use the machine with a damaged cable. Do not touch the damaged cable and pull the mains plug when the cable is damaged while working. Damaged cables increase the risk of an electric shock.

Other safety information

Be sure the power supply is same as the voltage given on the rating plate. The tool is fitted with a two-core cable and plug.

Remove the power plug from socket before carrying out any adjustment or servicing.



Residual risks

Even when the power tool is used as prescribed it is not possible to eliminate all residual risk factors. The following hazards may arise in connection with the power tool's construction and design:

- Damage to lungs if an effective dust mask is not worn.
- Damage to hearing if effective hearing protection is not worn.
- Damages to health resulting from vibration emission if the power tool is being used over longer period of time or not adequately managed and properly maintained.

WARNING! This power tool produces an electromagnetic field during operation. This field may under some circumstances interfere with active or passive medical implants. To reduce the risk of serious or fatal injury, we recommend persons with medical implants to consult their physician and the medical implant manufacturer before operating this machine.



DECLARATION OF CONFORMITY

Business name of the manufacturer:
INTERSKOL POWER TOOLS S.L.

Full address of the manufacturer

Ctra. de St. Joan de les Abadesses, s/n
17500 RIPOLL (Girona) SPAIN

Name and address of the person
(established in the Community) compiled
the technical file:

Jordi Carbonell, Santiago López

Ctra. de St. Joan de les Abadesses, s/n
17500 RIPOLL (Girona) SPAIN

Product name: **Impact drill**

Commercial name: **Impact drill**

Model: **DI13/650E**

Type: Electric power tools

Serial Number: see label of the tool

Fulfills all the relevant provisions of
Directives 2006/95/EC, 2006/42/EC,
2004/108/EC, 2002/96/EC, 2002/95/EC,
2009/251/EC

We hereby declare, under our sole
responsibility, that the **FELISATTI**
brand products described in this manual
DI13/650E comply with the following
standards of standard documents:


EN60745-1, EN60745-2-1, EN55014-1,
EN55014-2, EN61000-3-2, EN61000-3-3.

Jordi Carbonell

Santiago López

TECHNICAL DATA

Impact Drill		DI13/650E
Rated voltage		230
Frequency		50-60
Rated power	W	650
No load speed	min ⁻¹	0-2800
Impact rate	min ⁻¹	0-44800
Work shaft thread		1/2"x20UNF
Max. steel capacity	mm	13
Max. wood capacity	mm	30
Chuck clamping range	mm	1.5-13
Weight according EPTA-Procedure 01/2003	kg	1.97

	Read the operating instructions
	Protection category II power tool; double insulated
	In accordance with essential applicable safety standards of European directives
	In accordance with essential applicable safety standards of Russian Federation
	Wear eye, ear and breath protection

- Operating instructions with Safety instructions
- Warranty

BRIEF DESCRIPTION

The machine is intended for impact drilling in brick, concrete and stone as well as for drilling in wood, metal and plastic. Machines with electronic control and right/left rotation are also suitable for screwdriving and thread-cutting. Any other use not mentioned is not allowed.

Additional drill characteristics

- The rotational direction switch I is used to reverse the rotational direction of the machine. However, this is not possible with the On/Off switch J actuated.
- Electronic control of spindle speed, infinitely variable by finger pressure on the On/off switch J.
- The electronic regulation built-in the switch trigger F allows to adjust the speed suitable for the material to be worked.
- For continuous operation the On-/Off switch can be locked in the "On" position by the button K.

BEFORE USING THIS TOOL

WARNING! Before carrying out any work, check, for instance, using a metal detector, that there are no electric wires or gas or water pipes under the surfaces you wish to work on.

Make sure the mains voltage is correct: it must be the same as that on the specification label. Machines with 230V can also be connected to a 220V mains supply.

To turn the machine on, press the ON/OFF switch J and keep it pressed down.

When the ON/OFF switch is released, the machine stops.

WARNING! Always disconnect the plug from the socket before doing any work on the machine.

1. Changing the Tool

WARNING! Before any work on the machine itself, pull the mains plug.

WARNING! Wear protective gloves when changing the tool. The drill chuck can become very hot during longer work periods.

Open the key type drill chuck L by turning until the tool can be inserted. Insert the tool. Insert the chuck key A into the corresponding holes of the key type drill chuck L and clamp the tool uniformly.

2. Mains connection

WARNING! Connect only to a single-phase AC

ILLUSTRATIONS

DESCRIPTION (See figures)

- A Drill chuck key (Fig.2)
- B "Drilling/Impact Drilling" selector switch (Fig.1)
- C Drill chuck shaft gap (Fig.1)
- D Machine neck (Fig.2)
- E Supply cord (Fig.1)
- F Thumbwheel for speed preselection (Fig.1)
- G Belt clip (Fig.1)
- H Auxiliary grip (Fig.1)
- I Rotational direction switch (Fig.1)
- J On-off switch (Fig.1)
- K Retainer button (Fig.1)
- L Key type drill chuck (Fig.2)

EQUIPMENT

- Auxiliary handle
- Depth gauge
- Drill chuck key

current supply and only to the mains voltage specified on the rating plate. Connection to sockets without earth protection is possible as the appliance features protective class II insulation according to European Standard EN60745. Radio interference suppression complies with the European Standard EN60745.

3. Belt Clip

With the belt clip **G**, the machine can be hung onto a belt. The user has both hands free and the machine is always at hand.

4. Auxiliary handle

WARNING! Operate your machine only with the auxiliary handle.

- Unscrew the auxiliary handle **H** in an anticlockwise direction.
- Turn the auxiliary handle **H** to the required position.
- Screw the auxiliary handle **H** in place again.

5. Setting the depth gauge

- Make sure before you start that drill-bit is inserted.
- Hold the bit tip against the work surface. Push the depth gauge against the work surface, to the same depth as the length of the bit.
- Read the value in mm off the scale on the depth gauge and subtract the required drill depth.

START UP

1. Reversing the Rotational Direction

The rotational direction switch **I** is used to reverse the rotational direction of the machine. However, this is not possible with the On/Off switch **J** actuated.

Right Rotation: For drilling and driving in screws, push the rotational direction switch **I** left to the stop.

Left Rotation: For loosening and unscrewing screws and nuts, press the rotational direction switch **I** through to the right stop.

2. Switching On and Off

To start the machine, press the On/Off switch **J** and keep it pressed. To lock the pressed On/Off switch **J**, press the lock-on button **K**. To switch off the machine, release the On/Off switch **J** or when it is locked with the lock-on button **K**, briefly press the On/Off switch **J** and then release it.

3. Adjusting the Speed

The speed of the switched on power tool can be variably adjusted, depending on how far the On/Off switch **J** is pressed.

Light pressure on the On/Off switch **J** results in a low rotational speed. Further pressure on the switch results in an increase in speed.

4. Preselecting the Speed

With the thumbwheel for speed preselection **F**, the required speed can be preselected even during operation.

The required speed depends on the material and the working conditions, and can be determined through practical testing.

5. Setting the Operating Mode

Drilling and Screwdriving

Set the selector switch **B** to the "Drilling" symbol.

Impact Drilling

Set the selector switch **B** to the "Impact drilling" symbol.

OPERATION

1. Drilling.

- Fit the drill.
- Place the drill against the material before switching it on, press it until the lengthways play is taken up, then

switch on and work exerting light pressure (e.g. 30N).

Note! Exerting greater pressure does not increase the machine's effectiveness!

- Take the drill out of the hole from time to time to remove dust.

2. Screwdriving.

NOISE AND VIBRATION

This tool has been designed and made to reduce noise to a minimum. However, in spite of this, in **certain circumstances the maximum noise level in the place of work could exceed 85 dBA. In this case, the operator should wear ear protection.**

The machine's noise and vibration levels, measured in compliance with EN60745, usually reach:

Sound pressure level = 85.67 dB(A)

Sound power level = 96.67 dB(A)

Uncertainty K = 3 dB(A)

Vibration total values $a_v = 9.2 \text{ m/s}^2$

Uncertainty K = 1.5 m/s^2

Use ear protection!

WARNING! The vibration level given in these instructions has been measured in accordance with a standardized measurement procedure specified in EN60745 and can be used to compare devices. Different uses of the device give rise to different vibration levels and in many cases they may exceed the values given in these instructions. It is easy to underestimate the vibration load if the electrical power tool is used regularly in particular circumstances.

Note. If you wish to make an accurate assessment of the vibration loads experienced during a particular period of working, you should also take into account the intervening periods of time when the device is switched off or is running but is not actually in use. This can result in a much lower vibration load over the whole of the period of working.

ACCESSORIES

Accessories and their corresponding order number can be found in our catalogues.

MAINTENANCE AND CARE

WARNING! Always unplug the machine before carrying out work on it.

- The machine should be taken to a technical service centre if the power falls.
- Tool inspection: Using a worn tool will reduce the efficiency of the work being performed and could lead to motor damage and the tools should be changed when any abrasion is noted. Daily: Clean the tool holder.
- Inspect the mounting screws: Regularly inspect all the mounting screws and ensure they are firmly tightened. Should any screw be loose, tighten it immediately. Failure to do so could put you at serious risk.
- Motor maintenance: Take the utmost care to ensure that the motor winding is not damaged and does not become damp with oil or water.
- Brush replacement: Have them replaced by an Official Service Centre.
- Clean the machine thoroughly after each use with a blast of dry air.
- The vents of the machine should be kept clear at all times.
- Check that the mains lead is in good condition. If it is not, take it to an Official Service Centre to have it replaced.
- Use only **FELISATTI** accessories and spares. The

parts the changing of which is not covered in this instruction manual, should be replaced in a **FELISATTI** Official Service Centre (See Warranty/Official Service Centre address leaflet).

WARRANTY

See general warranty conditions printed on the attached sheet.

DISPOSAL



WARNING! Do not dispose of electric tools in the household waste!

In accordance with European Directive 2002/96/EC relating to old electrical and electronic appliances and its translation into national law, used electric tools must be collected separately and recycled in an ecologically desirable way.

NORMAS GENERALES DE SEGURIDAD



¡ATENCIÓN! Leer todas las instrucciones. El incumplimiento de cualquiera de las siguientes instrucciones puede provocar cortocircuitos eléctricos, incendios y/o lesiones graves. La expresión "herramienta eléctrica" que aparece en todas las siguientes advertencias se refiere a herramientas eléctricas cuyo accionamiento se efectúe mediante conexión a la línea (con cable) o por batería (sin cable).

CONSERVAR ESTAS INSTRUCCIONES

1) Área de trabajo

a) **Mantener el área de trabajo limpia y bien alumbrada.** Las áreas en desorden y oscuras pueden ser causa de accidentes.

b) **No accionar herramientas eléctricas en atmósferas explosivas, por ejemplo en presencia de líquidos, gases o polvo inflamables.** Las herramientas eléctricas crean chispas que pueden provocar el encendido del polvo o de humos.

c) **Mantener a los niños y transeúntes a distancia durante el accionamiento de una herramienta eléctrica.** Las distracciones pueden provocar la pérdida del control de la herramienta.

2) Seguridad eléctrica

a) **La clavija de la herramienta eléctrica tiene que corresponder con la toma.** No modificar jamás la clavija en modo alguno. No utilizar enchufes adaptadores con herramientas eléctricas provistas de toma de tierra (a masa). Clavijas originales y correspondencia de enchufes reducen el riesgo de choque eléctrico.

b) **Evitar el contacto del cuerpo con superficies conectadas a tomas de tierra o a masa, como por ejemplo tubos, radiadores, cocinas y neveras.** Si el cuerpo está conectado a tierra o a masa, el riesgo de choque eléctrico aumenta.

c) **No exponer las herramientas eléctricas a la lluvia ni utilizarlas en sitios húmedos.** La entrada de agua en una herramienta eléctrica aumenta el riesgo de choque eléctrico.

d) **No maltratar el cable. No utilizar nunca el cable para transportar, tirar o desenchufar la herramienta eléctrica.** Mantener el cable distante de fuentes de calor, aceites, cantos afilados o partes en movimiento. Cables dañados o enredados aumentan el riesgo de choque eléctrico.

e) **Al accionar una herramienta eléctrica en exteriores debe utilizarse un cable de extensión adecuado para ser usado en exteriores.** La utilización de un cable adecuado reduce el riesgo de choque eléctrico.

f) **Si fuese imprescindible utilizar la herramienta eléctrica en un entorno húmedo, es necesario conectarla a través de un fusible diferencial.** La aplicación de un fusible diferencial reduce el riesgo a exponerse a una descarga eléctrica.

3) Seguridad personal

a) **No distraerse nunca, controlar lo que se está haciendo y usar el sentido común cuando se accionan herramientas eléctricas. No accionar la herramienta cuando se está cansado o bajo la influencia de drogas, alcohol o medicamentos.** Un momento de distracción durante la utilización de herramientas eléctricas puede provocar graves lesiones a las personas.

b) **Utilizar equipos de seguridad. Ponerse siempre protectores de los ojos.** La utilización de apropiados equipos de seguridad como caretas antipolvo, calzado

de seguridad antideslizante, casco de seguridad, o protectores del oído reduce la posibilidad de sufrir lesiones personales.

c) **Evitar la puesta en marcha accidental.** Comprobar que el interruptor esté en la posición de apagado antes de conectar la herramienta a la línea eléctrica. Transportar las herramientas eléctricas con el dedo en el interruptor o enchufarlas con el interruptor en posición de encendido puede provocar accidentes.

d) **Retirar toda llave de regulación antes de encender la herramienta eléctrica.** Una llave dejada enganchada en una parte giratoria de la herramienta eléctrica puede provocar lesiones a las personas.

e) **No desequilibrarse.** Mantener siempre la posición y el equilibrio apropiados. Esto permite controlar mejor la herramienta eléctrica en situaciones imprevistas.

f) **Vestirse adecuadamente. No ponerse prendas de vestir anchas ni joyas. Mantener el cabello, las prendas de vestir y los guantes alejados de las partes en movimiento.** Vestidos anchos, joyas o cabellos largos pueden enredarse en las partes en movimiento.

g) **En presencia de dispositivos que prevean la conexión con instalaciones para la extracción y la recogida de polvo, comprobar su conexión y correcta utilización.** La utilización de estos dispositivos puede reducir los riesgos vinculados al polvo.

4) Uso y mantenimiento de las herramientas eléctricas

a) **No forzar la herramienta eléctrica. Utilizar la herramienta adecuada para la operación que debe efectuarse.** La herramienta eléctrica apropiada permite realizar el trabajo con mayor eficiencia y seguridad, sin tener que superar los parámetros de utilización previstos.

b) **No utilizar la herramienta eléctrica si el interruptor de encendido y apagado no funciona correctamente.** Toda herramienta eléctrica que no puede ser controlada por el interruptor es peligrosa y debe repararse.

c) **Desenchufar la clavija de la línea de suministro eléctrico antes de efectuar una operación de regulación, cambiar accesorios o guardar las herramientas eléctricas.** Estas medidas de seguridad preventiva reducen el riesgo de puesta en marcha accidental de la herramienta eléctrica.

d) **Guardar las herramientas eléctricas que no se utilizan fuera del alcance de los niños y no permitir su utilización a personas inexpertas o que desconozcan estas instrucciones.** Las herramientas eléctricas son peligrosas si las utilizan personas inexpertas.

e) **Efectuar el mantenimiento necesario en las herramientas eléctricas. Comprobar posibles errores de alineación o bloqueo de las partes en movimiento, la rotura de piezas y cualquier otra condición que pueda influir en el funcionamiento de las herramientas eléctricas.** Si está dañada, hacer reparar la herramienta eléctrica antes de utilizarla. Precisamente el mal estado de conservación de las herramientas eléctricas provoca numerosos accidentes.

f) **Mantener limpios y afilados los instrumentos de corte.** Instrumentos de corte en buenas condiciones de conservación y con cantos de corte afilados es menos probable que se bloqueen y son más fáciles de controlar.

g) **Usar la herramienta eléctrica, los accesorios y las puntas etc. conformemente con estas instrucciones y en el modo previsto para el específico tipo de herramienta eléctrica, tomando en consideración**

las condiciones de trabajo y la operación que debe llevarse a cabo. La utilización de la herramienta eléctrica para operaciones distintas de las previstas puede dar lugar a situaciones peligrosas.

5) Asistencia

a) Hacer reparar la herramienta eléctrica exclusivamente a técnicos cualificados y utilizar únicamente recambios idénticos. Esto garantiza la constante seguridad de la herramienta eléctrica.

¡ADVERTENCIA! Rogamos leer las indicaciones de seguridad y las instrucciones, también las que contiene Instrucciones de servicio.

MEDIDAS ESPECIALES DE SEGURIDAD

Sujete la herramienta eléctrica por las empuñaduras aisladas al realizar trabajos en los que el útil pueda tocar conductores eléctricos ocultos o el propio cable de la herramienta eléctrica. El contacto con conductores bajo tensión puede hacer que las partes metálicas de la herramienta eléctrica le provoquen una descarga eléctrica.

Emplee la(s) empuñadura(s) adicional(es), caso de suministrarse con la herramienta eléctrica. La pérdida de control sobre la herramienta eléctrica puede provocar un accidente.

Utilice unos aparatos de exploración adecuados para detectar conductores o tuberías ocultas, o consulte a sus compañías abastecedoras. El contacto con conductores eléctricos puede provocar un incendio o una electrocución. Al dañar una tubería de gas puede producirse una explosión. La perforación de una tubería de agua puede causar daños materiales.

Desconecte inmediatamente la herramienta eléctrica si el útil se bloquea. Esté preparado para soportar la elevada fuerza de reacción que ocasiona un rechazo. El útil se bloquea:

- si la herramienta eléctrica se sobrecarga, o
- si éste se ladea en la pieza de trabajo.

Sujete firmemente la herramienta eléctrica. Al apretar o aflojar tornillos pueden presentarse bruscamente unos elevados pares de reacción.

Asegure la pieza de trabajo. Una pieza de trabajo fijada con unos dispositivos de sujeción, o en un tornillo de banco, se mantiene sujeta de forma mucho más segura que con la mano.

Mantenga limpio su puesto de trabajo. La mezcla de diversos materiales es especialmente peligrosa. Las aleaciones ligeras en polvo pueden arder o explotar.

Antes de depositarla, esperar a que se haya detenido la herramienta eléctrica. El útil puede engancharse y hacerle perder el control sobre la herramienta eléctrica.

No utilice la herramienta eléctrica si el cable está dañado. No toque un cable dañado, y desconecte el enchufe de la red, si el cable se daña durante el trabajo. Un cable dañado comporta un mayor riesgo de electrocución.

Información de seguridad adicional

Compruebe que la tensión de la fuente de alimentación sea la misma que la indicada en la placa de características. La herramienta dispone de un cable de dos conductores y de un enchufe.

Desconecte el enchufe de la toma de corriente antes de realizar cualquier ajuste o reparación.



Riesgos residuales

Aunque la herramienta eléctrica se utilice de la forma indicada, resulta imposible eliminar todos los factores de riesgo residual. Pueden plantearse los siguientes riesgos derivados de la fabricación y el diseño

de la herramienta eléctrica:

- Daños pulmonares si no se utiliza una mascarilla antipolvo eficaz.
- Daños auditivos si no se utiliza una protección auditiva eficaz.
- Daños a la salud derivados de la emisión de vibraciones si la herramienta eléctrica se utiliza durante un largo período de tiempo, o si no se maneja y mantiene de forma adecuada.

¡ATENCIÓN! Esta herramienta eléctrica genera un campo electromagnético durante su funcionamiento. Este campo puede, en algunas circunstancias, interferir con implantes médicos activos o pasivos. Para reducir el riesgo de lesiones graves o letales, las personas con implantes médicos deben consultar a sus médicos y al fabricante del implante antes de utilizar esta máquina.



DECLARACIÓN DE CONFORMIDAD

Nombre comercial del fabricante:
INTERSKOL POWER TOOLS S.L.

Dirección completa del fabricante
Ctra. de Sant Joan de les Abadesses, s/n
17500 RIPOLL (Girona) ESPAÑA

Nombre y dirección de la persona
(establecida en la Comunidad) que
completó la ficha técnica:

Jordi Carbonell, Santiago López
Ctra. de Sant Joan de les Abadesses, s/n
17500 RIPOLL (Girona) ESPAÑA

Nombre del producto: **Taladradora de percusión**

Nombre comercial: **Taladradora de percusión**

Modelo: **D113/650E**

Tipo: Herramientas eléctricas

Número de serie: consulte la etiqueta de la herramienta

Cumple con todas las disposiciones pertinentes de las Directivas 2006/95/CE, 2006/42/CE, 2004/108/CE, 2002/96/CE, 2002/95/CE, 2009/25/CE

Declaramos bajo nuestra sola responsabilidad que los productos marca **FELISATTI** descritos en este manual **D113/650E** están en conformidad con las normas o documentos normalizados siguientes: EN60745-1, EN60745-2-1, EN55014-1, EN55014-2, EN61000-3-2, EN61000-3-3.

Jordi Carbonell

Santiago López

CARACTERÍSTICAS TÉCNICAS

Taladradora de percusión		DI13/650E
Tensión	V~	230
Frecuencia	Hz	50-60
Potencia nominal	W	650
Velocidad en vacío	min-1	0-2800
Frecuencia de percusión	min-1	0-44800
Rosca del eje trabajo		1/2"x20UNF
Capacidad máx. en acero	mm	13
Capacidad máx. en madera	mm	30
Capacidad del portabrocas	mm	1.5-13
Peso según EPTA-Procedure 01/2003	kg	1.97

	Lea las instrucciones de funcionamiento
	Herramienta eléctrica con categoría de protección II, doble aislamiento
	De acuerdo con las normas esenciales de seguridad aplicables de las directivas europeas
	De acuerdo con las normas esenciales de seguridad aplicables de la Federación Rusa
	Utilice protección ocular, auditiva, respiración

Respetar escrupulosamente las instrucciones contenidas en este manual, conservarlo con atención y tenerlo a mano para eventuales controles de las partes indicadas.

Si se utiliza la máquina con cuidado y se cumple el normal mantenimiento, su funcionamiento será prolongado.

Las funciones y el uso de la herramienta que usted compró son sólo y exclusivamente aquellas indicadas en este manual. **Está totalmente prohibido cualquier otro uso de la herramienta.**

ILUSTRACIONES

DESCRIPCIÓN (Ver figuras indicadas)

- A Llave del portabrocas (Fig.2)
- B Conmutador «Taladrar/taladrar con percusión» (Fig.1)
- C Entrecaras eje portabrocas (Fig.1)
- D Cuello de la máquina (Fig.2)
- E Cable (Fig.1)
- F Rueda preselección de revoluciones (Fig.1)
- G Clip de sujeción al cinturón (Fig.1)
- H Empuñadura adicional (Fig.1)
- I Selector de sentido de giro (Fig.1)
- J Interruptor de conexión/desconexión (Fig.1)
- K Tecla de enclavamiento del interruptor de conexión/desconexión (Fig.1)
- L Portabrocas de corona dentada (Fig.2)

EQUIPO DOTACIÓN DE LA MÁQUINA

- Empuñadura adicional
- Tope de profundidad

- Llave del portabrocas
- Manual de instrucciones de servicio y Instrucciones de seguridad
- Documento de garantía

DESCRIPCIÓN ABREVIADA

El aparato ha sido diseñado para taladrar con percusión en ladrillo, hormigón y piedra, así como para taladrar sin percusión madera, metal, cerámica y material sintético. Los aparatos dotados con regulador electrónico e inversión de giro son adecuados también para atornillar y hacer roscas.

Características adicionales del taladro

- Con el selector I puede invertirse el sentido de giro actual de la herramienta eléctrica. Esto no es posible, sin embargo, con el interruptor de conexión/desconexión J accionado.
- Control electrónico de velocidad del eje de forma continua sin escalones, por la presión ejercida con el dedo sobre el interruptor J.
- La regulación incorporada en el interruptor permite graduar la velocidad apropiada al material a trabajar.
- Para funcionamiento continuo el interruptor se puede mantener en la posición "On" con el botón de bloqueo K.

ANTES DE USAR ESTA HERRAMIENTA

¡ATENCIÓN! Antes de efectuar un trabajo, verificar p.ej. mediante un detector de metales, si no se ocultan bajo las superficies conductores eléctricos y tuberías de gas y agua.

Cerciorarse de que la tensión de la red sea correcta: La indicación de tensión en la placa de características debe coincidir con la tensión de red. Los aparatos a 230V pueden conectarse también a una tensión de red de 220V.

Para poner en marcha, apretar el interruptor de conexión/desconexión J y mantenerlo apretado. Al soltar el interruptor de conexión/desconexión la máquina se para.

¡ATENCIÓN! Desconecte siempre el enchufe antes de llevar a cabo cualquier trabajo en la máquina.

1. Cambio de útil

¡ATENCIÓN! Antes de cualquier manipulación en la herramienta eléctrica, sacar el enchufe de red de la toma de corriente.

¡ATENCIÓN! Utilice unos guantes de protección al cambiar de útil. El portabrocas puede calentarse fuertemente después de haber trabajado prolongadamente con el aparato.

Gire el portabrocas de corona dentada L lo suficiente para poder alojar el útil. Inserte el útil. Introduzca la llave del

portabrocas **A** en cada uno de los taladros del portabrocas de corona dentada **L** y apriete uniformemente el útil.

2. Conexión eléctrica

¡ATENCIÓN! Conectar solamente a corriente alterna monofásica y sólo a la tensión indicada en la placa de características. También se puede conectar a una base de enchufe sin contacto de protección, ya que el aparato posee un aislamiento según norma europea EN60745.

3. Clip de sujeción al cinturón

El clip de sujeción al cinturón **4** le permite enganchar la herramienta eléctrica, p. ej., a un cinturón. De esta manera le quedan libres ambas manos y tiene siempre accesible la herramienta eléctrica.

4. Empuñadura adicional

¡ATENCIÓN! Solamente utilice la herramienta eléctrica con la empuñadura adicional **H** montada.

- Desenrosque la empuñadura auxiliar **H** en sentido antihorario.

- Gire la empuñadura auxiliar **H** al ángulo deseado.

- Vuelva a rosar la empuñadura auxiliar **H**.

5. Cómo ajustar el tope de profundidad

- Asegúrese antes de comenzar de que la broca esté instalada.

- Empuje el tope de profundidad hasta la misma longitud que la broca que hay en el portabrocas. Para hacer esta operación, apoye la broca contra una pared lisa.

- Lea el valor en mm en la escala del tope de profundidad y reste la profundidad deseada.

PUESTA EN FUNCIONAMIENTO

1. Ajuste del sentido de giro

Con el selector **I** puede invertirse el sentido de giro actual de la herramienta eléctrica. Esto no es posible, sin embargo, con el interruptor de conexión/desconexión **J** accionado.

Giro a derechas: Para taladrar y enroscar tornillos presionar hasta el tope hacia la izquierda el selector de sentido de giro **I**.

Giro a izquierdas: Para aflojar o sacar tornillos y tuercas empujar hasta el tope hacia la derecha el selector del sentido de giro **I**.

2. Conexión/desconexión

Para la puesta en marcha de la herramienta eléctrica accionar y mantener en esa posición el interruptor de conexión/desconexión **J**. Para retener el interruptor de conexión/desconexión **J** una vez accionado, presionar la tecla de enclavamiento **K**. Para desconectar la herramienta eléctrica suelte el interruptor de conexión/desconexión **J**, o en caso de estar enclavado con la tecla **K**, presione brevemente y suelte a continuación el interruptor de conexión/desconexión **J**.

3. Ajuste de las revoluciones

Variando la presión ejercida sobre el interruptor de conexión/desconexión **J** puede Ud. regular de forma continua las revoluciones de la herramienta eléctrica. Apretando levemente el interruptor de conexión/desconexión **J** se obtienen unas revoluciones bajas. Incrementando paulatinamente la presión van aumentando las revoluciones en igual medida.

4. Preselección del nº de revoluciones

La rueda preselección de revoluciones **F** le permite seleccionar el nº de revoluciones incluso durante la operación del aparato.

El nº de revoluciones precisado depende del material y condiciones de trabajo, siendo conveniente determinarlo probando.

5. Ajuste del modo de operación

Taladrar y atornillar

Gire el selector **B** hacia la posición con el símbolo "Taladrar".

Taladrar con percusión

Colocar el selector **B** sobre el símbolo "Taladrar con percusión".

FUNCIONES

1. Taladrar

- Instale la broca.

- Coloque la broca contra el material antes de conectar la máquina, presiónela hasta compensar el juego longitudinal, después conecte y trabaje ejerciendo una ligera presión (p.e. 30N).

Nota! No por ejercer más presión se aumenta la eficacia de la máquina.

- Extraiga de vez en cuando la broca del agujero para limpiar el polvo.

2. Atornillar

RUIDO Y VIBRACIÓN

La herramienta ha sido proyectada y construida para reducir al mínimo los ruidos, **a pesar de esto en especiales condiciones el nivel de ruido máximo en el sitio de trabajo podría ser superior a 85 dBA. En este caso el operador debe protegerse del ruido excesivo por medio de la utilización de protectores auditivos.**

Los niveles de ruido y vibración de la máquina, medidos según la norma EN60745, se elevan normalmente a:

Nivel de presión acústica = 85.67 dB(A)

Nivel de potencia acústica = 96.67 dB(A)

Tolerancia K = 3 dB(A)

Nivel total de vibraciones $a_h = 9.2 \text{ m/s}^2$

Tolerancia K = 1.5 m/s^2

¡Se han de usar protectores auditivos!

¡ATENCIÓN! El nivel de vibración indicado en estas instrucciones se ha determinado de acuerdo con un procedimiento de medición estándar especificado en la norma EN60745, y se puede utilizar para comparar dispositivos. Los diferentes usos del dispositivo dan lugar a distintos niveles de vibración, y en muchos casos pueden sobrepasar los valores indicados en estas instrucciones. Es fácil subestimar la carga de vibración si la herramienta eléctrica se utiliza regularmente en circunstancias particulares.

Nota. Si desea realizar una evaluación precisa de las cargas de vibración experimentadas durante un período de trabajo concreto, también deberá tener en cuenta los períodos de tiempo intermedios en los que el dispositivo está apagado o en funcionamiento, pero no realmente en uso. Esto puede suponer una carga de vibración mucho más baja durante todo el período de trabajo.

ACCESORIOS

Los accesorios y sus correspondientes números para pedido, están reflejados en nuestros catálogos.

MANTENIMIENTO Y CUIDADOS

¡ATENCIÓN! Desconecte siempre el enchufe antes de llevar a cabo cualquier trabajo en la máquina.

- Cuando haya disminuido la potencia, llevar la máquina al Servicio de Asistencia Técnica.

- Inspección de la herramienta: La utilización de una herramienta gastada disminuirá la eficiencia de trabajo y podría causar desperfectos en el motor, por tanto es

necesario afilar o cambiar las herramientas de corte tan pronto como se note abrasión en éstas. Diariamente: Limpiar el portaherramientas.

- Inspeccionar los tornillos de montaje: Regularmente inspeccionar todos los tornillos de montaje y asegurarse de que estén apretados firmemente. Si cualquier tornillo estuviera suelto, volver a apretarlo inmediatamente. El no hacer esto provocaría un riesgo serio.
- Mantenimiento del motor: Prestar el mayor cuidado y asegurarse de que el bobinado del motor no se dañe y/o se humedezca con aceite o agua.
- Sustitución de las escobillas: Para ello, debe acudir a un centro de asistencia autorizado para que efectúe el cambio.
- Limpiar esmeradamente la máquina después de utilizarla mediante un chorro de aire seco.
- Las ranuras de ventilación de la máquina deben estar despejadas en todo momento.
- Comprobar que el cable de toma de corriente esté en buen estado y, en caso contrario, acudir a un centro de asistencia técnica para que lo sustituya.
- Sólo se deben utilizar accesorios y piezas de repuestos **FELISATTI**. Piezas cuyo recambio no está descrito en estas instrucciones de uso, deben sustituirse en un centro de asistencia técnica **FELISATTI** (Consulte el folleto Garantía/ Direcciones de Centros de Asistencia Técnica).

GARANTÍA

Ver condiciones generales de concesión de Garantía en impreso anexo a estas instrucciones.

ELIMINACIÓN



¡No se deshaga de las herramientas eléctricas a través de los contenedores de basura doméstica!

De acuerdo con la directriz europea 2002/96/CE referente a los residuos de los equipamientos eléctricos y electrónicos y a la conversión en el derecho nacional, las herramientas eléctricas usadas deben ser separadas y deben estar sujetas a un reciclaje que respete el medio ambiente.

NORMES GÉNÉRALES DE SÉCURITÉ



ATTENTION! Lire toutes les instructions. Ne pas se conformer à toutes les instructions énumérées ci-dessous peut donner lieu à des secousses électriques, des incendies et/ou des lésions sérieuses. Le terme «outil électrique» de tous les avertissement énumérés ci-dessous se réfère aux outils électriques actionnés au moyen d'un raccordement au réseau (par câble) ou actionnés par batterie (sans câble).

CONSERVER CES INSTRUCTIONS**1) Zone de travail**

a) **Maintenir la zone de travail propre et bien éclairée.** Les zones encombrées et sombres peuvent provoquer des accidents.

b) **Ne pas actionner d'outils électriques dans des atmosphères explosives, par exemple en présence de liquides, gaz ou poudres inflammables.** Les outils électriques créent des étincelles qui peuvent provoquer la mise à feu de poudre ou des fumées.

c) **Maintenir les enfants et les passants à distance pendant l'actionnement d'un outil électrique.** Les distractions peuvent faire perdre le contrôle de l'outil.

2) Sécurité électrique

a) **La fi che de l'outil électrique doit correspondre à la prise.** Ne jamais modifier la fi che en aucune façon. Ne pas utiliser de fi ches adaptatrices avec des outils électriques dotés de mise à la terre (à la masse). Des fi ches non modifiées et des prises correspondantes réduisent le risque de secousse électrique.

b) **Eviter le contact du corps avec les surfaces mises à la terre ou à la masse tels que tubes, radiateurs, cuisines et réfrigérateurs.** Si le corps est à terre ou à la masse, le risque de secousse électrique augmente.

c) **Ne pas exposer les outils électriques à la pluie et ne pas les utiliser dans des endroits un outil électrique augmente le risque de secousse électrique.**

d) **Ne pas maltraiter le câble.** Ne jamais utiliser le câble pour transporter, tirer ou débrancher de la prise de réseau l'outil électrique. Maintenir le câble à distance de la chaleur, de l'huile, de bords coupants ou de pièces en mouvements. Des câbles endommagés ou entortillés augmentent le risque de secousse électrique.

e) **Quand on actionne un outil électrique à l'extérieur, utiliser un câble d'extension adapté à l'utilisation en extérieur.** L'utilisation d'un câble adapté réduit le risque de secousse électrique.

f) **Si l'usage d'un outil dans un emplacement humide est inévitable, utiliser une alimentation protégée par un dispositif à courant résiduel résiduel (RCD).** L'usage d'un RCD réduit le risque de choc électrique.

3) Sécurité personnelle

a) **Ne jamais se distraire, contrôler ce qu'on est en train de faire et faire preuve de bon sens quand on actionne des outils électriques. Ne pas actionner l'outil quand on est fatigué ou sous l'influence de drogues, d'alcool ou de médicaments.** Un moment de distraction pendant l'actionnement d'outils électriques peut donner lieu à de sérieuses lésions personnelles.

b) **Utiliser des équipements de sécurité. Toujours porter des protections pour les yeux.** L'utilisation appropriée d'équipements de sécurité tels que masques anti-poussières, chaussures de sécurité antidérapantes, casque de sécurité, ou de protections pour les oreilles réduit la possibilité de subir des lésions personnelles.

c) **Eviter les mises en marche accidentelles.** S'assurer que l'interrupteur est en position Off avant de le raccorder au réseau électrique. Transporter les outils électriques avec le doigt sur l'interrupteur ou les raccorder au réseau avec l'interrupteur en position On peut provoquer des accidents.

d) **Enlever toute clé de réglage avant d'allumer l'outil électrique.** Une clé laissée fixée à une partie pivotante de l'outil électrique peut provoquer des lésions personnelles.

e) **Ne pas se déséquilibrer. Toujours conserver une position et un équilibre appropriés.** Ceci permet de mieux contrôler l'outil électrique dans des situations imprévues.

f) **S'habiller de façon appropriée. Ne pas porter de vêtements larges ou des bijoux. Garder les cheveux, les vêtements et les gants éloignés des parties en mouvement.** Les vêtements larges, les bijoux ou les cheveux longs peuvent se prendre dans les parties en mouvement.

g) **S'il est prévu de raccorder à l'installation des dispositifs pour l'extraction et la récolte de poussière, s'assurer qu'ils soient raccordés et utilisés de façon appropriée.** L'utilisation de ces dispositifs peut réduire les risques liés à la poussière.

4) Utilisation et entretien des outils électriques

a) **Ne pas forcer l'outil électrique. Utiliser l'outil électrique adapté à l'opération à effectuer.** L'outil électrique approprié permet d'effectuer le travail avec une plus grande efficacité et une plus grande sécurité sans être contraint de dépasser les paramètres d'utilisation prévus.

b) **Ne pas utiliser l'outil électrique si l'interrupteur de mise en marche et d'extinction ne s'actionne pas correctement.** Tout outil électrique qui ne peut pas être contrôlé par l'interrupteur est dangereux et doit être soumis à des réparations.

c) **Déconnecter la fi che du réseau d'alimentation avant d'effectuer tout réglage, changer les accessoires ou ranger les outils électriques.** Ces mesures de sécurité préventive réduisent le risque de mise en route accidentelle de l'outil électrique.

d) **Ranger les outils électriques inutilisés hors de portée des enfants et ne pas en permettre l'utilisation à des personnes inexpérimentées ou qui ne connaissent pas ces instructions.** Les outils électriques sont dangereux s'ils sont utilisés par des personnes inexpérimentées.

e) **Effectuer l'entretien nécessaire sur les outils électriques. Vérifier le possible mauvais alignement ou le blocage des parties en mouvement, la cassure des pièces ou tout autre condition qui pourrait influencer le fonctionnement des outils électriques.** S'il est endommagé, faire réparer l'outil électrique avant de l'utiliser. De nombreux accidents sont justement provoqués par le mauvais état d'entretien des outils électriques.

f) **Conserver propres et aiguisés les outils de découpage.** Des outils de découpage en bon état d'entretien et avec des bords de découpage aiguisés risquent les blocages avec une moindre probabilité et sont plus faciles à contrôler.

g) **Utiliser l'outil électrique, les accessoires et les pointes etc., en se conformant avec ces instructions et à la façon prévue pour le type particulier d'outil électrique, en tenant compte des conditions de travail et de l'opération à effectuer.** L'utilisation de l'outil électrique pour des opérations différentes de celles

prévues peut donner lieu à des situations dangereuses.

5) Assistance

a) Faire réparer l'outil électrique uniquement par des techniciens qualifiés et utiliser uniquement des pièces de rechange identiques. Ceci garantit la sécurité constante de l'outil électrique.

AVERTISSEMENT!

Lisez toutes les consignes de sécurité et les instructions, même celles qui se trouvent dans la Mode d'emploi.

CONSIGNES SPÉCIFIQUES DE SÉCURITÉ

Tenir l'outil par les surfaces de préhension isolées, lors de la réalisation d'une opération au cours de laquelle l'organe de coupe peut entrer en contact avec un câblage non apparent ou son propre cordon d'alimentation. Le contact avec un fil « sous tension » peut également mettre « sous tension » les parties métalliques exposées de l'outil électrique et provoquer un choc électrique sur l'opérateur.

Utiliser la(les) poignée(s) auxiliaire(s) fournie(s) avec l'outil. La perte de contrôle peut provoquer des blessures.

Utiliser des détecteurs appropriés afin de déceler des conduites cachées ou consulter les entreprises d'approvisionnement locales. Un contact avec des conduites d'électricité peut provoquer un incendie ou un choc électrique. Un endommagement d'une conduite de gaz peut provoquer une explosion. La perforation d'une conduite d'eau provoque des dégâts matériels.

Arrêtez immédiatement l'appareil électrique lorsque l'outil coince. Attendez-vous à des couples de réaction importants causant un contrecoup. L'outil se bloque lorsque:

- l'appareil électrique est surchargé ou
- lorsqu'il coince dans la pièce à travailler.

Bien tenir l'appareil électroportatif. Lors du vissage ou du dévissage, il peut y avoir des couples de réaction instantanés élevés.

Bloquer la pièce à travailler. Une pièce à travailler serrée par des dispositifs de serrage ou dans un étau est fixée de manière plus sûre que tenue dans les mains.

Tenir propre la place de travail. Les mélanges de matériaux sont particulièrement dangereux. Les poussières de métaux légers peuvent être explosives ou inflammables.

Avant de déposer l'outil électroportatif, attendre que celui-ci soit complètement à l'arrêt. L'outil risque de se coincer, ce qui entraîne une perte de contrôle de l'outil électroportatif.

Ne jamais utiliser un outil électroportatif dont le câble est endommagé. Ne pas toucher à un câble endommagé et retirer la fiche du câble d'alimentation de la prise du courant, au cas où le câble serait endommagé lors du travail. Un câble endommagé augmente le risque d'un choc électrique.

Informations supplémentaires sur la sécurité

Assurez-vous que la tension de la source d'alimentation est bien la même que celle indiquée sur la plaque signalétique. L'outil dispose d'un câble à double conducteurs et d'une prise.

Débrancher la prise avant d'effectuer un réglage ou une réparation.

Risques résiduels

Même si l'outil électrique est utilisé de la façon indiquée, il est impossible d'éliminer tous les facteurs de risque résiduel. Les risques éventuels, dérivés de la fabrication et de la conception de l'outil électrique,

sont les suivants:

- Problèmes pulmonaires, si vous ne portez pas un masque anti-poussière efficace.
- Problèmes auditifs, si vous ne portez pas une protection auditive efficace.
- Problèmes de santé dérivés de l'émission de vibrations si vous utilisez l'outil électrique sur une longue période de temps ou si vous ne le maniez ou ne le maintenez pas de façon appropriée.

ATTENTION! Cet outil électrique génère un champ électromagnétique pendant son fonctionnement. Ce champ, dans certains cas, peut interférer avec des implants médicaux actifs ou passifs. Pour réduire le risque de blessures graves ou mortelles, les personnes avec des implants médicaux doivent consulter leur médecin et le fabricant de l'implant avant d'utiliser cette machine.



DÉCLARATION DE CONFORMITÉ

Nom commercial du fabricant:
INTERSKOL POWER TOOLS S.L.

Adresse complète du fabricant
Ctra. de Sant Joan de les Abadesses, s/n
17500 RIPOLL (Girona) ESPAGNE
Nom et adresse de la personne (établie dans la communauté) qui a rédigé la fiche technique:

Jordi Carbonell, Santiago López
Ctra. de Sant Joan de les Abadesses, s/n
17500 RIPOLL (Girona) ESPAGNE

Nom du produit: **Perceuse à percussion**
Nom commercial: **Perceuse à percussion**
Modèle: **D113/650E**

Type: Outils électriques
Numéro de série: voir l'étiquette de l'outil
Conforme à toutes les dispositions concernées des directives 2006/95/CE, 2006/42/CE, 2004/108/CE, 2002/96/CE, 2002/95/CE, 2009/251/CE






Nous déclarons sous notre entière responsabilité que les produits de la marque **FELISATTI** décrits dans ce manuel **D113/650E** sont conformes aux normes ou documents normalisés suivants: EN60745-1, EN60745-2-1, EN55014-1, EN55014-2, EN61000-3-2, EN61000-3-3.

Jordi Carbonell

Santiago López

CARACTÉRISTIQUES TECHNIQUES

Perceuse à percussion		DI13/650E
Tension	V~	230
Fréquence	Hz	50-60
Puissance nominale absorbée	W	650
Vitesse à vide	min ⁻¹	0-2800
Nombre de chocs	min ⁻¹	0-44800
Filet de l'axe de travail		UNF1/2"x20
Capacité max. sur acier	mm	13
Capacité max. sur bois	mm	30
Plage de serrage du mandrin	mm	1.5-13
Poids suivant EPTA-Procédure 01/2003	kg	1.97

	Lisez les consignes de fonctionnement
	Outil électrique avec catégorie de protection II, isolement double
	Conforme aux normes de sécurité fondamentales issues des directives européenne
	Conforme aux normes de sécurité fondamentales applicables en Russie
	Utilisez une protection oculaire, auditive, respiration

- Notice d'utilisation et Consignes de sécurité
- Garantie

BRÈVE DESCRIPTION

L'appareil est conçu pour les travaux de perçage en frappe dans la brique, le béton et dans la pierre naturelle ainsi que pour le perçage dans le bois, le métal, la céramique et les matières plastiques. Les appareils avec réglage électronique et rotation à droite/à gauche sont également appropriés pour le vissage et le filetage.

Caractéristiques supplémentaires du perceur:

- Avec le commutateur de sens de rotation I le sens de rotation de l'outil électroportatif peut être inversé. Ceci n'est cependant pas possible, quand l'interrupteur Marche/Arrêt J est appuyé.
- Contrôle électronique de vitesse de l'axe de manière continue sans échelonnements grâce à la pression exercée avec le doigt sur l'interrupteur J.
- Le réglage incorporé au dé clic de l'interrupteur permet de graduer la vitesse appropriée pour le matériau à travailler.
- Pour un fonctionnement continu, l'interrupteur peut être maintenu en position de marche "ON" à l'aide du bouton de blocage K.

AVANT D'EMPLOYER CETTE MACHINE

ATTENTION! Avant tout travail, vérifier, avec un détecteur de métaux, par exemple, si des conducteurs électriques ou des tuyaux de gaz et d'eau ne se situent pas sous les surfaces à percer.

S'assurer que la tension du secteur est correcte: L'indication de tension sur la plaque signalétique doit coïncider avec la tension du secteur. Les appareils à 230 V peuvent être branchés aussi sur du 220 V.

Pour mettre la machine en marche, appuyer sur le bouton de Marche/Arrêt J et le maintenir enfoncé. La machine s'arrête en relâchant le bouton de Marche/Arrêt.

ATTENTION! Débranchez toujours la fiche avant d'effectuer un travail quelconque sur la machine.

1. Changement de l'outil

ATTENTION! Avant d'effectuer des travaux sur l'outil électroportatif, retirez la fiche de la prise de courant.

ATTENTION! Porter des gants de protection lors du changement d'outil. En cas de travaux assez longs, le mandrin de perçage risque de chauffer fortement.

Ouvrez le mandrin à couronne dentée L par un mouvement de rotation jusqu'à ce que l'outil puisse être monté. Montez l'outil. Introduisez la clé de mandrin A dans les perçages correspondants du mandrin à couronne

Respecter strictement les instructions contenues dans ce manuel qu'il convient de lire attentivement et de conserver à portée de main pour d'éventuels contrôles des parties indiquées.

Si la machine est utilisée avec soin et son entretien normalement assuré, son fonctionnement sera prolongé. Les fonctions et l'utilisation de la machine que vous avez acquise sont celles indiquées dans ce manuel. Tout autre usage de la machine est formellement interdit.

ILLUSTRATIONS

DESCRIPTION (Voir dessin)

- A Clé de mandrin (Fig.2)
- B Commutateur «Perçage/Perçage à percussion» (Fig.1)
- C Logement pour clé de l'axe du mandrin (Fig.1)
- D Goulot de la machine (Fig.2)
- E Câble (Fig.1)
- F Molette de présélection de la vitesse (Fig.1)
- G Clip pour fixation sur sangle (Fig.1)
- H Poignée supplémentaire (Fig.1)
- I Commutateur du sens de rotation (Fig.1)
- J Interrupteur Marche/Arrêt (Fig.1)
- K Bouton de blocage pour l'interrupteur Marche/Arrêt (Fig.1)
- L Mandrin à couronne dentée (Fig.2)

ÉQUIPEMENT DE LA MACHINE

- Poignée supplémentaire
- Butée de profondeur
- Clé de mandrin

dentée L et fixez l'outil de manière régulière.

2. Branchement électrique

ATTENTION! Brancher uniquement sur courant alternatif monophasé et seulement à la tension indiquée sur la plaque signalétique. On peut aussi effectuer le branchement sur une base de fiche sans contact à mise à la terre, car l'appareil possède un isolement classe II conformément à la norme européenne EN60745. La protection antiparasite correspond à la norme européenne EN60745.

3. Clip pour fixation sur sangle

Avec le clip pour fixation sur sangle G, l'appareil électroportatif peut être accroché à une sangle par ex. Vous avez donc les deux mains libres et l'appareil électroportatif est à tout temps à portée de main.

4. Poignée supplémentaire

ATTENTION! N'utilisez l'outil électroportatif qu'avec la poignée supplémentaire H.

- Dévissez la poignée auxiliaire H dans le sens contraire des aiguilles d'une montre.

- Tournez la poignée auxiliaire H de manière à obtenir l'angle désiré.

- Vissez à nouveau la poignée auxiliaire H.

5. Comment régler la butée de profondeur

- Avant de commencer, assurez-vous que le foret est installé.

- Déplacez la butée de profondeur jusqu'à la même longueur que le foret qui se trouve dans le mandrin. Pour réaliser cette opération, appuyez le foret contre un mur lisse.

- Lisez la valeur en mm sur l'échelle de la butée de profondeur et soustrayez la profondeur désirée.

FONCTIONNEMENT

1. Régler le sens de rotation

Avec le commutateur de sens de rotation I le sens de rotation de l'outil électroportatif peut être inversé. Ceci n'est cependant pas possible, quand l'interrupteur Marche/Arrêt J est appuyé.

Rotation à droite: Pour percer et visser, tourner le commutateur du sens de rotation I à fond vers la gauche.

Rotation à gauche: Pour desserrer ou dévisser des vis et des écrous, tourner le commutateur du sens de rotation I à fond vers la droite.

2. Mise en Marche/Arrêt

Pour mettre l'outil électroportatif en marche, appuyer sur l'interrupteur Marche/Arrêt J et le maintenir appuyé. Pour bloquer l'interrupteur Marche/Arrêt appuyé J, appuyer sur le bouton de blocage K. Afin d'arrêter l'appareil électroportatif, relâcher l'interrupteur Marche/Arrêt J ou, s'il est bloqué par le bouton de blocage K, appuyer brièvement sur l'interrupteur Marche/Arrêt J, puis le relâcher.

3. Réglage de la vitesse de rotation

Il est possible de régler sans à-coups la vitesse de rotation de l'outil électroportatif en opération suivant la façon dont on appuie sur l'interrupteur Marche/Arrêt J. Une pression légère sur l'interrupteur Marche/Arrêt J entraîne une faible vitesse de rotation. Plus la pression augmente, plus la vitesse de rotation est élevée.

4. Préréglage de la vitesse de rotation

La molette de réglage présélection de la vitesse de rotation F permet de présélectionner la vitesse de rotation nécessaire (même durant l'utilisation de l'appareil).

La vitesse de rotation dépend du matériau à travailler et des conditions de travail et peut être déterminée par des essais pratiques.

5. Réglage du mode de fonctionnement

Visser et percer

Positionnez le commutateur B sur le symbole «Perçage».

Perçage à Percussion Positionnez le commutateur B sur le symbole «Perçage à percussion».

FONCTIONS

1. Visser

- Installez le foret.

- Placez le foret sur le matériau avant de connecter la machine, faites pression dessus de manière à compenser le jeu longitudinal, ensuite mettez-la en marche et travaillez en faisant une légère pression (p.ex. 30N).

Note! Le fait d'exercer davantage de pression n'augmente pas l'efficacité de la machine.

- Extraire de temps en temps le foret du trou pour enlever la poussière.

2. Percer

BRUIT ET VIBRATION

L'outil a été conçu et construit avec objectif de réduire le niveau de bruit au maximum. Malgré cela, **dans certaines conditions, le niveau de bruit maximal sur le lieu de travail peut être supérieur à 85 dBA. Dans ce cas, l'opérateur doit se protéger du bruit excessif en utilisant un casque de protection antibruit.**

Les niveaux de bruit et de vibration de la machine, mesurés selon la norme EN60745, s'élevaient normalement à :

Niveau de pression acoustique = 85.67 dB(A)

Niveau d'intensité acoustique = 96.67 dB(A)

Incertitude K = 3 dB(A)

Valeurs totales des vibrations $a_h = 9.2 \text{ m/s}^2$

Incertitude K = 1.5 m/s²

Employer des protecteurs individuels!

ATTENTION! Le niveau de vibration indiqué dans ce manuel a été déterminé selon un procédé de mesure standard spécifié par la norme EN60745, il peut être utilisé pour comparer des dispositifs. Les différentes utilisations du dispositif donne lieu à différents niveaux de vibration et, dans beaucoup de cas, ils peuvent dépasser les valeurs indiquées dans ce manuel. Il est facile de sous-estimer la charge de vibration si l'outil électrique est utilisé régulièrement dans des circonstances particulières.

Remarque. Si vous voulez effectuer une évaluation précise des charges de vibration expérimentées au cours d'une période de travail concrète, vous devrez également prendre en compte les périodes de temps intermédiaires pendant lesquelles le dispositif est éteint ou en marche mais pas réellement en fonctionnement. Ce qui peut engendrer une charge de vibration beaucoup plus basse pendant toute la période de travail.

ACCESSOIRES

Les accessoires et leurs références sont répertoriées dans nos catalogues.

ENTRETIEN

AVERTISSEMENT! Avant toute intervention sur la machine, débranchez toujours la prise.

- Lorsque la puissance aura diminué, faire réviser la machine par le Service d'Assistance Technique.

- Examen de l'outil : L'utilisation d'un outil usé diminuera l'efficacité de travail et peut supposer des anomalies au niveau du moteur ; par conséquent, il est nécessaire de substituer les outils dès qu'une abrasion est détectée. Périodiquement : Nettoyer le mandrin.

- Examen des vis de montage : Examiner régulièrement toutes les vis de montage et vérifier qu'elles sont bien serrées. Si une vis est desserrée, la resserrer immédiatement. Ne pas le faire pourrait être préjudiciable.
- Entretien du moteur : Apporter le plus grand soin à l'entretien du moteur et s'assurer que le bobinage du moteur n'est pas endommagé et/ou humidifié avec de l'huile ou de l'eau.
- Remplacement des charbons : Le changement devra alors être effectué par un centre d'assistance agréé.
- Nettoyer soigneusement la machine après son utilisation avec un jet d'air sec.
- Les ouies d'aération de la machine doivent toujours être dégagées et propres.
- Vérifier que le câble et la prise de courant soient en bon état. Dans le cas contraire, les faire remplacer dans un centre d'assistance agréé.
- N'utiliser que des accessoires et des pièces de rechange **FELISATTI**. Les pièces détachées hors accessoires doivent être remplacées dans un centre d'assistance technique **FELISATTI** (Consultez l'imprimé Garantie/Adresses de Centres Agréés S.A.V).

GARANTIE

Consulter les conditions générales de Garantie sur l'imprimé annexe à ces instructions.

ELIMINATION



Ne pas jeter les outils électriques dans les ordures ménagères!

Conformément à la directive européenne 2002/96/CE relative aux appareils électriques et électroniques usagés et sa version nationale, les outils électriques doivent être collectés séparément et recyclés de manière écopile.

NORME DI SICUREZZA GENERALE



ATTENZIONE! Leggere tutte le istruzioni. La mancata ottemperanza a tutte le istruzioni sotto elencate può dare luogo a scosse elettriche, incendi e/o lesioni serie. Il termine "utensile elettrico" di tutte le avvertenze elencate qui sotto si riferisce agli utensili elettrici azionati mediante collegamento alla rete (con cavo) o azionati a batteria (senza cavo).

CONSERVARE QUESTE ISTRUZIONI**1) Area di lavoro**

a) **Tenere pulita e ben illuminata l'area di lavoro.** Le aree ingombre e buie possono provocare incidenti.

b) **Non azionare utensili elettrici in atmosfere esplosive, ad esempio in presenza di liquidi, gas o polveri infuamabili.** Gli utensili elettrici creano scintille che possono provocare l'accensione di polveri o fumi.

c) **Tenere i bambini e i passanti a distanza durante l'azionamento di un utensile elettrico.** Le distrazioni possono far perdere il controllo dell'utensile.

2) Sicurezza elettrica

a) **La spina dell'utensile elettrico deve corrispondere alla presa.** Mai modifi care la spina in alcun modo. Non utilizzare spine adattatrici con utensili elettrici dotati di messa a terra (a massa). Spine non modificate e prese corrispondenti riducono il rischio di scossa elettrica.

b) **Evitare il contatto del corpo con superfici messe a terra o a massa quali tubi, griferi.** Se il corpo è a terra o a massa, il rischio di scossa elettrica aumenta.

c) **Non esporre gli utensili elettrici alla pioggia e non utilizzarli in luoghi umidi.** L'ingresso di acqua in un utensile elettrico aumenta il rischio di scossa elettrica.

d) **Non maltrattare il cavo.** Non utilizzare mai il cavo per trasportare, tirare o scollegare dalla presa di rete l'utensile elettrico. Tenere il cavo distante da calore, olio, bordi affilati o parti in movimento. Cavi danneggiati o attorcigliati aumentano il rischio di scossa elettrica.

e) **Quando si aziona un utensile elettrico all'esterno, usare un cavo di estensione adeguato per l'uso in esterni.** L'uso di un cavo adeguato riduce il rischio di scossa elettrica.

f) **Qualora non fosse possibile evitare di utilizzare l'elettro utensile in ambiente umido, utilizzare un interruttore di sicurezza.** L'uso di un interruttore di sicurezza riduce il rischio di una scossa elettrica.

3) Sicurezza personale

a) **Non distrarsi mai, controllare quello che si sta facendo e usare il buon senso quando si azionano utensili elettrici. Non azionare l'utensile quando si è stanchi o sotto l'infuuso di droghe, alcol o medicazioni.** Un momento di disattenzione durante l'azionamento di utensili elettrici può dare luogo a serie lesioni personali.

b) **Usare attrezzature di sicurezza. Indossare sempre protezioni per gli occhi.** L'uso appropriato di attrezzature di sicurezza quali maschere anti-polvere, calzature di sicurezza antiscivolo, casco di sicurezza, o protezioni per l'udito riduce la possibilità di subire lesioni personali.

c) **Evitare le accensioni accidentali.** Assicurarsi che l'interruttore sia in posizione di spento prima di collegarlo alla rete elettrica. Trasportare utensili elettrici con il dito sull'interruttore o collegarli in rete con l'interruttore in posizione di accensione può provocare incidenti.

d) **Rimuovere qualsiasi chiave di regolazione**

prima di accendere l'utensile elettrico. Una chiave lasciata attaccata a una parte rotante dell'utensile elettrico può provocare lesioni personali.

e) **Non sbilanciarsi. Mantenere sempre la posizione e l'equilibrio appropriati.** Questo permette di controllare meglio l'utensile elettrico in situazioni impreviste.

f) **Vestirsi in modo appropriato. Non indossare vestiti larghi o gioielli. Tenere capelli, indumenti e guanti distanti dalle parti in movimento.** Vestiti larghi, gioielli o capelli lunghi possono impigliarsi nelle parti in movimento.

g) **Se sono previsti dispositivi da collegare a impianti per l'estrazione e la raccolta di polvere, accertarsi che siano collegati e usati in maniera appropriata.** L'uso di questi dispositivi può ridurre i rischi correlati alla polvere.

4) Uso e manutenzione degli utensili elettrici

a) **Non forzare l'utensile elettrico. Usare l'utensile adatto per l'operazione da eseguire.** L'utensile elettrico appropriato permette di eseguire il lavoro con maggiore efficienza e sicurezza senza essere costretti a superare i parametri d'uso di progetto.

b) **Non usare l'utensile elettrico se l'interruttore di accensione e spegnimento non si aziona correttamente.** Qualsiasi utensile elettrico che non può essere controllato con l'interruttore è pericoloso e deve essere sottoposto a riparazioni.

c) **Scollegare la spina dalla rete di alimentazione prima di effettuare qualsiasi regolazione, cambiare accessori o riporre gli utensili elettrici.** Tali misure di sicurezza preventiva riducono il rischio di avvio accidentale dell'utensile elettrico.

d) **Riporre utensili elettrici inutilizzati fuori della portata dei bambini e non permetterne l'uso a persone inesperte o che non conoscano queste istruzioni.** Gli utensili elettrici sono pericolosi se utilizzati da persone inesperte.

e) **Effettuare la manutenzione necessaria sugli utensili elettrici. Verifi care il possibile errato allineamento o bloccaggio delle parti in movimento, la rottura delle parti e qualsiasi altra condizione che possa influenziare il funzionamento degli utensili elettrici.** Se è danneggiato, far riparare l'utensile elettrico prima di utilizzarlo. Numerosi incidenti sono provocati proprio dal cattivo stato di manutenzione degli utensili elettrici.

f) **Mantenere puliti e affilati gli strumenti di taglio.** Strumenti di taglio in buone condizioni di manutenzione e con bordi di taglio affilati soffrono di blocchi con minore probabilità e sono più facili da controllare.

g) **Usare l'utensile elettrico, gli accessori e le punte ecc., in conformità con queste istruzioni e nel modo previsto per il tipo particolare di utensile elettrico, tenendo conto delle condizioni di lavorazione e dell'operazione da eseguire.** L'uso dell'utensile elettrico per operazioni diverse da quelle previste può dare luogo a situazioni pericolose.

5) Assistenza

a) **Far riparare l'utensile elettrico solo da tecnici qualificati e utilizzare soltanto ricambi identici.** Questo garantisce la costante sicurezza dell'utensile elettrico.

AVVERTENZA! E' necessario leggere tutte le indicazioni di sicurezza e le istruzioni, quelle contenute nella Istruzioni per l'uso.

AVVERTENZE SPECIFICHE SULLA SICUREZZA

Tenere l'apparecchio per le superfici isolate dell'impugnatura qualora venissero effettuati lavori durante i quali l'accessorio potrebbe venire a contatto con cavi elettrici nascosti oppure con il proprio cavo di rete. Il contatto con un cavo sotto tensione può mettere sotto tensione anche parti metalliche dell'apparecchio, causando una scossa elettrica.

Utilizzare le impugnature supplementari se fornite insieme all'elettrotensile. La perdita di controllo sull'elettrotensile può causare lesioni.

Al fine di rilevare linee di alimentazione nascoste, utilizzare adatte apparecchiature di ricerca oppure rivolgersi alla locale società erogatrice. Un contatto con linee elettriche può provocare lo sviluppo di incendi e di scosse elettriche. Danneggiando linee del gas si può creare il pericolo di esplosioni. Penetrando una tubazione dell'acqua si provocano seri danni materiali.

Spegnere immediatamente l'elettrotensile quando l'utensile accessorio si blocca. Aspettarsi sempre alti momenti di reazione che possono provocare un contraccolpo. L'utensile accessorio si blocca quando:

- l'elettrotensile è sottoposto a sovraccarico oppure
- prende angolature improprie nel pezzo in lavorazione.

Tenere sempre ben saldo l'elettrotensile. Serrando a fondo ed allentando le viti è possibile che si verifichino temporaneamente alti momenti di reazione.

Assicurare il pezzo in lavorazione. Un pezzo in lavorazione può essere bloccato con sicurezza in posizione solo utilizzando un apposito dispositivo di serraggio oppure una morsa a vite e non tenendolo con la semplice mano.

Mantenere pulita la propria zona di lavoro. Miscele di materiali di diverso tipo possono risultare particolarmente pericolose. La polvere di metalli leggeri può essere infiammabile ed esplosiva.

Prima di posare l'elettrotensile, attendere sempre fino a quando si sarà fermato completamente. L'accessorio può incepparsi e comportare la perdita di controllo dell'elettrotensile.

Mai utilizzare l'elettrotensile con un cavo danneggiato. Non toccare il cavo danneggiato ed estrarre la spina di rete in caso che si dovesse danneggiare il cavo mentre si lavora. Cavi danneggiati aumentano il rischio di una scossa di corrente elettrica.

Informazioni di sicurezza supplementari:

Verificare che la tensione della fonte di alimentazione sia la stessa di quella indicata nella targa delle caratteristiche tecniche. L'apparecchio dispone di un cavo a due conduttori e di una spina.

Disinserire la spina dalla presa di corrente prima di realizzare qualsiasi regolazione o riparazione.



Rischi residui

Sebbene l'apparecchio elettrico si usi seguendo le istruzioni, è impossibile eliminare tutti i fattori di rischio residuo. Si possono ipotizzare i seguenti rischi derivanti dalla fabbricazione e dal progetto dell'apparecchio elettrico:

- Danni polmonari se non si utilizza una maschera antipolvere efficace.
- Danni all'udito se non si utilizza una protezione uditiva efficace.
- Danni alla salute derivati dall'emissione di vibrazioni se l'apparecchio elettrico si utilizza per un lungo periodo di tempo, o se non si manipola e non si effettua la manutenzione adeguatamente.

ATTENZIONE! Questo apparecchio elettrico genera un campo elettromagnetico durante il funzionamento. Questo campo può, in talune circostanze, interferire con impianti medici attivi o passivi. Per ridurre il rischio di lesioni gravi o letali, le persone con impianti medici devono consultare il proprio medico o il fabbricante dell'impianto prima di utilizzare questo apparecchio.



DICHIARAZIONE DI CONFORMITÀ

Nome commerciale del fabbricante:
INTERSKOL POWER TOOLS S.L.

Indirizzo completo del fabbricante
Ctra. de Sant Joan de les Abadesses, s/n
17500 RIPOLL (Girona) SPAGNA

Nome e indirizzo della persona (stabilita nella Comunità) che ha compilato la scheda tecnica:

Jordi Carbonell, Santiago López
Ctra. de Sant Joan de les Abadesses, s/n
17500 RIPOLL (Girona) SPAGNA

Nome del prodotto: **Trapano battente**
Nome commerciale: **Trapano battente**

Modello: **DI13/650E**

Tipo: Apparecchi elettrici

Numero di serie: consultare l'etichetta dell'apparecchio

Conforme a tutte le disposizioni pertinenti delle direttive 2006/95/CE, 2006/42/CE, 2004/108/CE, 2002/96/CE, 2002/95/CE, 2009/251/CE

Dichiariamo sotto la nostra esclusiva responsabilità che i prodotti **FELISATTI** descritti nel presente manuale **DI13/650E** sono conformi alle seguenti norme o documenti normalizzati: EN60745-1, EN60745-2-1, EN55014-1, EN55014-2, EN61000-3-2, EN61000-3-3.

Jordi Carbonell

Santiago López

Riservato il diritto di apportare modifiche tecniche 12/2012

CARATTERISTICHE TECNICHE

Trapano battente		DI13/650E
Tensione	V~	230
Frequenza	Hz	50-60
Potenza nominale assorbita	W	650
Numero di giri a vuoto	min ⁻¹	0-2800
Frequenza colpi	min ⁻¹	0-44800
Filettatura asse di lavoro		1/2"x20 UNF
Capacità max. su acciaio	mm	13
Capacità max. su legno	mm	30
Campo di serraggio del mandrino	mm	1.5-13
Peso in funzione della EPTA-Procedure 01/2003	kg	1.97

	Leggere le istruzioni di funzionamento
	Apparecchio elettrico con categoria di protezione II, doppio isolamento
	Conforme alle norme essenziali di sicurezza applicabili delle direttive europee
	Conforme alla normativa generale di sicurezza applicabile della Federazione Russa
	Utilizzare protezione oculare, uditiva, respirazione

Rispettare scrupolosamente le istruzioni contenute in questo manuale, conservarlo con cura e a portata di mano per eventuali controlli delle parti indicate.

Se la macchina viene utilizzata con attenzione e si esegue la normale manutenzione, il suo funzionamento sarà prolungato nel tempo.

Le funzioni e gli usi dell'utensile che avete comprato sono unicamente quelli indicati in questo manuale. **E assolutamente proibito ogni altro uso dell'utensile.**

ILLUSTRAZIONI

DESCRIZIONE (Vedere le figure)

- A Chiave di serraggio per mandrini (Fig.2)
- B Selettore «Foratura/Foratura battente» (Fig.1)
- C Lati di inserimento chiave nell'asse del mandrino (Fig.1)
- D Asse della macchina (Fig.2)
- E Cavo di alimentazione (Fig.1)
- F Rotellina di selezione numero giri (Fig.1)
- G Clip di aggancio cintura (Fig.1)
- H Impugnatura supplementare (Fig.1)
- I Commutatore del senso di rotazione (Fig.1)
- J Interruttore di avvio/arresto (Fig.1)
- K Tasto di bloccaggio per interruttore avvio/arresto (Fig.1)
- L Mandrino a cremagliera (Fig.2)

MATERIALE IN DOTAZIONE

- Impugnatura supplementare
- Arresto di profondità
- Chiave di serraggio per mandrini
- Manuale di istruzioni e Norme di sicurezza

- Documento di garanzia

BREVE DESCRIZIONE

La macchina è idonea per l'esecuzione di forature battenti in mattoni, nel calcestruzzo e nel materiale minerale; essa è adatta anche per forare ed avvitare nel legname, nel metallo, nella ceramica e nelle materie plastiche. Macchine con regolazione elettronica e funzionamento reversibile sono adatte anche per avvitare e per tagliare filettature.

Caratteristiche aggiuntive del trapano

- Con il commutatore del senso di rotazione I è possibile modificare il senso di rotazione dell'elettrotensile. Comunque, ciò non è possibile quando l'interruttore di avvio/arresto J è premuto.
- Controllo elettronico della velocità dell'asse in modo continuo senza interruzioni, per la pressione esercitata con il dito sopra l'interruttore J.
- Il regolatore incorporato nel grilletto dell'interruttore permette di ottenere la velocità più indicata secondo il materiale da lavorare.
- Per il funzionamento continuo, l'interruttore si può mantenere nella posizione "On" con il pulsante di bloccaggio K.

PRIMA DI USARE QUESTA MACCHINA

ATTENZIONE! Prima di eseguire un lavoro, verificare - p.es. mediante un rivelatore di metalli - se sotto le superfici passano dei cavi elettrici o i tubi dell'acqua o del gas.

Controllare che la tensione di rete sia quella adeguata: deve coincidere con la tensione indicata nella targhetta segnaletica. Gli apparecchi a 230V possono essere collegati anche a una rete con tensione di 220V.

Per accendere la macchina, premere l'interruttore ON/OFF J e tenerlo premuto. Quando si rilascia l'interruttore ON/OFF, la macchina si spegne.

ATTENZIONE! Staccare sempre la spina dalla presa prima di eseguire qualsiasi intervento sulla macchina.

1. Cambio degli utensili

ATTENZIONE! Prima di qualunque intervento sull'elettrotensile estrarre la spina di rete dalla presa.

ATTENZIONE! Portare sempre guanti di protezione durante la sostituzione di utensili. In caso di operazioni di lavoro di maggiore durata il mandrino portapunta può surriscaldarsi.

Aprire il mandrino a cremagliera L ruotandolo fino a quando diventerà possibile applicarvi l'utensile. Inserire

l'accessorio. Inserire la chiave di serraggio per mandrini **A** nelle rispettive forature del mandrino a cremagliera **L** e fissare bene l'utensile ad innesto in modo uniforme.

2. Collegamento elettrico

ATTENZIONE! Collegare soltanto a corrente alternata monofase e solo alla tensione indicata nella etichetta. Si può collegare anche a una presa priva di protezione di terra, poiché l'apparecchio è dotato di isolamento classe II ai sensi della norma europea EN60745. La protezione contro le correnti parassite è conforme alla norma europea EN60745.

3. Clip di aggancio cintura

Tramite il clip di aggancio cintura **G** è possibile agganciare l'elettrotensile p. es. ad una cinghia. In questo modo si hanno libere entrambe le mani e l'elettrotensile è sempre a portata di mano.

4. Impugnatura supplementare

ATTENZIONE! Utilizzare il Vostro elettrotensile soltanto con l'impugnatura supplementare **H**.

- Svitare l'impugnatura ausiliare **H** nel senso antiorario.
- Ruotare l'impugnatura laterale **H** secondo l'angolo desiderato.

- Avvitare nuovamente l'impugnatura ausiliare **H**.

5. Regolazione dell'asta di profondità

- Prima di iniziare, verificare che la punta sia montata.
- Spingere il limitatore di profondità fino alla stessa lunghezza della punta montata nel mandrino. Per eseguire questa operazione, poggiare la punta su una parete liscia.
- Leggere il valore in mm nella scala del limitatore di profondità e sottrarre la profondità desiderata.

ACCENSIONE

1. Impostazione del senso di rotazione

Con il commutatore del senso di rotazione **I** è possibile modificare il senso di rotazione dell'elettrotensile. Comunque, ciò non è possibile quando l'interruttore di avvio/arresto **J** è premuto.

Rotazione destrorsa: Per forare ed avvitare viti premere il commutatore del senso di rotazione **I** verso sinistra fino all'arresto.

Rotazione sinistrorsa: Per allentare oppure svitare viti e dadi, premere il commutatore del senso di rotazione **I** verso destra fino all'arresto.

2. Accendere/spgnere

Per accendere l'elettrotensile premere l'interruttore di avvio/arresto **J** e tenerlo premuto. Per fissare in posizione l'interruttore di avvio/arresto premuto **J** premere il tasto di bloccaggio **K**. Per spegnere l'elettrotensile rilasciare di nuovo l'interruttore di avvio/arresto **J** oppure se è bloccato con il tasto di bloccaggio **K**, premere brevemente l'interruttore di avvio/arresto **J** e rilasciarlo di nuovo.

3. Regolazione del numero di giri

È possibile regolare la velocità dell'elettrotensile in funzione operando con la pressione che si esercita sull'interruttore avvio/arresto **J**. Esercitando una leggera pressione sull'interruttore di avvio/arresto **J** si ha una velocità bassa. Aumentando la pressione si aumenta la velocità.

4. Preselezione della velocità

Tramite la rotellina per la selezione del numero di giri **H** è possibile preselezionare la richiesta velocità anche durante la fase di funzionamento.

La velocità richiesta dipende dal tipo di materiale in lavorazione e dalle specifiche condizioni operative e può essere dunque determinata a seconda del caso eseguendo delle prove pratiche.

5. Regolazione del modo operativo

Foratura ed avvitatura Mettere il selettore **B** sul simbolo «Foratura».

Foratura battente

Mettere il selettore **B** sul simbolo «Foratura battente».

FUNZIONI

1. Furar

- Montare la punta.
- Posizionare la punta sul materiale prima di avviare la macchina, premerla fino a compensare il gioco longitudinale, poi avviare la macchina e lavorare esercitando una leggera pressione (p.es. 30N).

Nota! Non serve esercitare una pressione maggiore, poiché l'efficienza della macchina non aumenta.

- Togliere ogni tanto la punta dal foro per rimuovere la polvere.

2. Aparafusar

RUMORI E VIBRAZIONI

L'utensile è stato progettato e costruito per ridurre al minimo i rumori; ciononostante, in condizioni particolari il livello massimo di rumore nel locale di lavoro potrebbe essere superiore a 85 dB(A). In questo caso l'operatore deve proteggersi dal rumore eccessivo con l'impiego di protezioni per l'udito.

I livelli di rumore e di vibrazione della macchina, misurati secondo la norma EN60745, raggiungono normalmente i seguenti valori:

Livello di pressione acustica = 85.67 dB(A)

Livello di potenza sonora = 96.67 dB(A)

Incertezza della misura $K = 3 \text{ dB(A)}$

Valori complessivi di oscillazione $a_w = 9.2 \text{ m/s}^2$

Incertezza della misura $K = 1.5 \text{ m/s}^2$

Usare protezioni per l'udito!

ATTENZIONE! Il livello di vibrazione indicato nelle presenti istruzioni è stato determinato conformemente a un procedimento di misura standard specificato nella norma EN60745, e si può utilizzare per confrontare diversi dispositivi. I diversi usi del dispositivo generano diversi livelli di vibrazione e in molti casi possono superare i valori indicati nelle presenti istruzioni. È facile sottovalutare il carico di vibrazione se l'apparecchio elettrico si usa regolarmente in circostanze particolari.

Nota. Se si desidera realizzare una valutazione precisa dei carichi di vibrazione registrati durante un determinato periodo di lavoro, si dovrà anche tener conto dei lassi di tempo intermedi nei quali il dispositivo è spento o in funzione, ma non effettivamente in uso. Ciò può comportare un carico di vibrazione molto più basso durante tutto il periodo di lavoro.

ACCESSORI

Gli accessori e i relativi numeri di codice per le ordinazioni sono riportati nei nostri cataloghi.

CURA E MANUTENZIONE

AVVERTENZA! Prima di compiere qualsiasi intervento sulla macchina, staccate sempre la spina dalla presa elettrica.

- Quando la potenza diminuisce, portare la macchina al Servizio di Assistenza Tecnica.

- Ispezione dell'utensile: l'utilizzo di una macchina consumata diminuirà l'efficienza di lavoro e potrebbe causare dei guasti al motore, pertanto non appena si notano eventuali abrasioni nelle varie parti dell'attrezzo, è

necessario cambiarle. Ogni giorno: Pulire il portautensili.

- Ispezionare le viti: ispezionare regolarmente tutte le viti di assemblaggio e verificare che siano ben serrate. Se una vite dovesse allentarsi, serrarla immediatamente. In caso contrario si possono correre seri pericoli.

- Manutenzione del motore: fare molta attenzione ad evitare che l'avvolgimento del motore si danneggi e/o si bagni d'olio o d'acqua.

- Sostituzione delle spazzole: Per sostituirle rivolgersi a un centro di assistenza tecnica autorizzato.

- Pulire accuratamente la macchina dopo l'uso con un getto d'aria asciutta.

- Le aperture di ventilazione della macchina non devono essere sempre libere.

- Verificare che il cavo di alimentazione sia in buone condizioni; in caso contrario, farlo sostituire presso un centro di assistenza tecnica autorizzato.

- Usare solo accessori e ricambi originali **FELISATTI**. Per quanto riguarda i pezzi la cui sostituzione non è descritta in queste istruzioni per l'uso, farli sostituire presso un centro di assistenza tecnica autorizzato **FELISATTI** (vedere il foglietto Garanzia/Indirizzi dei Centri di assistenza tecnica).

GARANZIA

Vedere le condizioni generali di validità della garanzia riportate sul foglietto allegato a queste istruzioni.

UTILIZZO



Non introdurre attrezzi elettrici nei rifiuti di casa!

Secondo la normativa europea 2002/96/CE in riferimento agli apparecchi elettrici ed elettronici e le leggi nazionali, gli apparecchi elettrici usurati devono essere raccolti separatamente e portati al riciclaggio, rispettando le norme ambientali.

ALLGEMEINE SICHERHEITSBESTIMMUNGEN



ACHTUNG! Es sind alle Anweisungen zu lesen. Bei Nichtbeachtung nachstehender Anweisungen kann es zu Stromschlägen, Bränden und/oder schweren Verletzungen kommen. Der Begriff „Elektrowerkzeug“ in allen untenstehenden Hinweisen bezieht sich auf die netz- (mit Kabel) oder batteriebetriebenen (drahtlos) Elektrowerkzeuge.

DIESE ANWEISUNGEN AUFBEWAHREN!**1) Arbeitsbereich**

a) **Arbeitsbereich sauber halten und gut ausleuchten.** Versperrte und dunkle Bereiche können zu Unfällen führen.

b) **Bei Explosionsgefahr, z.B. in unmittelbarer Nähe von Flüssigkeiten, Gas oder brennbarem Pulver, dürfen Elektrowerkzeuge nicht verwendet werden.** Die nämlich dadurch entstehenden Funken können Pulver oder Rauch entzünden.

c) **Kinder und Passanten bei Benutzen des Elektrowerkzeugs fernhalten.** Bei Ablenkung kann die Kontrolle des Elektrowerkzeugs verloren gehen.

2) Elektrosicherheit

a) **Der Stecker des Elektrowerkzeugs sollte zur Stromdose passen.** Stecker in keinem Fall ändern. Es sollten keine Steckeradapter bei geerdeten Elektrowerkzeugen verwendet werden. Bei nicht modifizierten Steckern und entsprechenden Stromdosen verringert sich die Stromschlaggefahr.

b) **Körperkontakt mit geerdeten Oberflächen, wie Rohren, Heizkörpern, Wohnküchen und Kühlschränken vermeiden!** Wenn der Körper die Erdung oder Masse berührt, ist die Stromschlaggefahr größer.

c) **Elektrowerze dürfen nicht dem Regen ausgesetzt werden und in feuchten Lokalen eingesetzt werden.** Bei Durchtreten von Wasser in ein Elektrowerkzeug wächst die Stromschlaggefahr.

d) **Kabel nicht mißhandeln.** Zum Tragen, Schleppen oder Herausziehen des Elektrowerkzeugs aus der Stromdose in keinem Fall das Kabel verwenden! Kabel von Wärmequellen, Öl, spitzen Kanten oder Bewegteilen entfernt halten. Beschädigte oder verdrehte Kabel erhöhen das Stromschlagrisiko.

e) **Bei Verwenden eines Elektrowerkzeugs im Freien sollte ein passend langes Kabel für den Einsatz im Freien verwendet werden.** Der Einsatz eines passenden Kabels mindert das Stromschlagrisiko.

f) **Wenn der Betrieb des Elektrowerkzeuges in feuchter Umgebung nicht vermeidbar ist, verwenden Sie einen Fehlerstromschutzschalter.** Der Einsatz eines Fehlerstromschutzschalters vermindert das Risiko eines elektrischen Schlages.

3) Persönliche Sicherheit

a) **Sich niemals ablenken lassen.** Immer die Arbeit beaufsichtigen und aufmerksam vorgehen. Bei auftretender Müdigkeit und nach Einnahme von Drogen, Spirituosen oder Medikamenten das Elektrowerkzeug nicht betätigen. Die kleinste Zerstreung beim Einsatz von Elektrowerkzeugen kann zu ernstesten Verletzungen führen.

b) **Sicherheitsausrüstung verwenden! Stets einen Augenschutz tragen!** Der Einsatz passender Sicherheitsausrüstungen, wie Staubmasken, rutschfesten Sicherheitsschuhen, Sicherheitshelmen oder Ohrenschutzzorrichtungen vermindert die Verletzungsgefahr.

c) **Ungewollte Entzündungen vermeiden.** Sich

vergewissern, daß der Schalter auf AUS steht, bevor er an das Stromnetz angeschlossen wird. Das Tragen der Elektrowerkzeuge mit dem Finger am Schalter oder das Verbinden derselben mit dem Stromnetz in eingeschalteter Stellung kann zu Unfällen führen.

d) **Einstellschlüssel vor Einschalten des Elektrowerkzeugs entfernen!** Sollte ein Schlüssel an einem Drehteil des Elektrowerkzeugs verbleiben, so kann dies zu Verletzungen führen.

e) **Gleichgewicht behalten! Position und Gleichgewicht beibehalten.** Dadurch läßt sich das Elektrowerkzeug bei unvorgesehenen Situationen besser kontrollieren.

f) **Passende Kleidung tragen! Niemals weite Kleidung oder Schmuck tragen.** Haare, Kleidung und Handschuh von Bewegteilen fernhalten. Weite Kleider, Schmuck oder Haare können sich an den Bewegteilen verfangen.

g) **Sollten Vorrichtungen zum Entfernen und Sammeln von Staub vorgesehen sein, die anzuschließen sind, sich vergewissern, daß diese sachgerecht verbunden und eingesetzt werden.** Diese Maßnahme kann die Risiken mindern, die mit dem Staub verbunden sind.

4) Einsatz und Wartung von Elektrowerkzeugen.

a) **Das Elektrowerkzeug nicht forcieren.** Ein Elektrowerkzeug verwenden, das der durchzuführenden Arbeit entspricht. Bei passendem Elektrowerkzeug läßt sich die Arbeit effizienter und sicherer durchführen, ohne die vorgesehenen Projektparameter überziehen zu müssen.

b) **Bei nicht korrekt funktionierendem Ein- und Ausschalter das Elektrowerkzeug nicht verwenden.** Jedes Elektrowerkzeug, das nicht kontrolliert werden kann und dessen Schalter gefährlich ist, sollte repariert werden.

c) **Vor Durchführen von Einstellungen, Auswechseln von Zubehör und Verstauen von Elektrowerkzeugen stets den Stecker vom Stromnetz entfernen.** Diese Sicherheitsmaßnahmen vermindern das Risiko eines ungewollten Starts des Elektrowerkzeugs.

d) **Unbenutzte Elektrowerkzeuge unzugänglich für Kinder aufbewahren.** Unerfahrene Personen und solche, die keine Kenntnis dieser Anweisungen haben, dürfen keinen Zugang zu den Elektrowerkzeugen haben. Elektrowerkzeuge sind gefährlich, wenn sie von unerfahrenen Personen benutzt werden.

e) **Elektrowerkzeuge warten! Nachprüfen, ob Elektrowerkzeuge einwandfrei funktionieren oder ob sie klemmen bzw. auf mögliche Brüche oder sonstigen Zustände achten, die die Funktion der Elektrowerkzeuge beeinträchtigen können.** Bei Beschädigungen ist das Werkzeug vor dem Gebrauch zu reparieren! Viele Unfälle sind gerade vom schlechten Wartungszustand der Elektrowerkzeuge bedingt.

f) **Schneidegeräte sauber und scharf halten.** Schneidegeräte in gutem Wartungszustand und mit geschärften Kanten klemmen seltener und sind leicht zu kontrollieren.

g) **Elektrowerkzeuge, Zubehör, Bits etc. im Sinne dieser Anweisungen bzw. der für das jeweilige Werkzeug vorgesehenen Vorschriften behandeln, wobei die Arbeitsbedingungen und die vorgesehenen Arbeiten mitzuberücksichtigen sind.** Der Einsatz von Elektrowerkzeugen für zweckfremde Arbeiten können zu gefährlichen Situationen führen.

5) Kundendienst

a) **Elektrowerkzeug nur von fachkundigen**

Technikern reparieren lassen. Dabei sollten stets nur identische Ersatzteile eingesetzt werden. Nur so ist eine dauerhafte Sicherheit des Elektrowerkzeugs gewährleistet.

WARNUNG!

Lesen Sie alle Sicherheitshinweise und Anweisungen, auch in der Bedienungsanleitung.

SPEZIELLE SICHERHEITSWARNUNGEN

Halten Sie das Gerät an den isolierten Griffflächen, wenn Sie Arbeiten ausführen, bei denen das Einsatzwerkzeug verborgene Stromleitungen oder das eigene Netzkabel treffen kann. Der Kontakt mit einer spannungsführenden Leitung kann auch metallene Geräteteile unter Spannung setzen und zu einem elektrischen Schlag führen.

Benutzen Sie Zusatzgriffe, wenn diese mit dem Elektrowerkzeug mitgeliefert werden. Der Verlust der Kontrolle kann zu Verletzungen führen.

Verwenden Sie geeignete Suchgeräte, um verborgene Versorgungsleitungen aufzuspüren, oder ziehen Sie die örtliche Versorgungsgesellschaft hinzu. Kontakt mit Elektroleitungen kann zu Feuer und elektrischem Schlag führen. Beschädigung einer Gasleitung kann zur Explosion führen. Eindringen in eine Wasserleitung verursacht Sachbeschädigung.

Schalten Sie das Elektrowerkzeug sofort aus, wenn das Einsatzwerkzeug blockiert. Seien Sie auf hohe Reaktionsmomente gefasst, die einen Rückschlag verursachen. Das Einsatzwerkzeug blockiert wenn:

- das Elektrowerkzeug überlastet wird oder
- es im zu bearbeitenden Werkstück verankert.

Halten Sie das Elektrowerkzeug gut fest. Beim Festziehen und Lösen von Schrauben können kurzfristig hohe Reaktionsmomente auftreten.

Sichern Sie das Werkstück. Ein mit Spannvorrichtungen oder Schraubstock festgehaltenes Werkstück ist sicherer gehalten als mit Ihrer Hand.

Halten Sie Ihren Arbeitsplatz sauber. Materialmischungen sind besonders gefährlich. Leichtmetallstaub kann brennen oder explodieren.

Warten Sie, bis das Elektrowerkzeug zum Stillstand gekommen ist, bevor Sie es ablegen. Das Einsatzwerkzeug kann sich verhaken und zum Verlust der Kontrolle über das Elektrowerkzeug führen.


Benutzen Sie das Elektrowerkzeug nicht mit beschädigtem Kabel. Berühren Sie das beschädigte Kabel nicht und ziehen Sie den Netzstecker, wenn das Kabel während des Arbeitens beschädigt wird. Beschädigte Kabel erhöhen das Risiko eines elektrischen Schlages.

Zusätzliche Sicherheitsangaben:

Überprüfen Sie, ob die Netzspannung der auf dem Typenschild des Ladegerätes angegebenen Spannung entspricht. Das Werkzeug ist mit einem 2-adrigen Kabel mit Anschlussstecker versehen.

Ziehen Sie vor jeglichen Einstell- oder Reparaturarbeiten stets den Netzstecker.

Restrisiken

 Auch wenn das Elektrowerkzeug unter Einhaltung der angegebenen Sicherheitshinweise verwendet wird, können nicht alle Gefahren ausgeschlossen werden. Aus der Herstellung und dem Entwurfsdesign des Elektrowerkzeugs können sich die folgenden Gefahren ableiten:

- Lungenschäden, wenn keine wirksame Staubschutzmaske verwendet wird.
- Gehörschäden, wenn kein wirksamer Gehörschutz

verwendet wird.

- Gesundheitliche Schäden, die sich aus der Schwingungsbelastung ableiten, wenn das Elektrowerkzeug über einen langen Zeitraum hinweg verwendet oder nicht ordnungsgemäß bedient oder gehalten wird.

WARNHINWEIS! Dieses Elektrowerkzeug erzeugt während des Betriebs ein elektromagnetisches Feld. Dieses elektromagnetische Feld kann unter Umständen Auswirkungen auf aktive oder passive Implantate haben. Um die Gefahr von schwerwiegenden oder tödlichen Verletzungen zu verringern, sollten Implantat-Träger vor Verwendung dieses Elektrowerkzeugs ihren Facharzt und den Implantat-Hersteller konsultieren.



KONFORMITÄTSERKLÄRUNG

Handelsname des Herstellers:

INTERSKOL POWER TOOLS S.L.

Vollständige Anschrift des Herstellers:

Ctra. de Sant Joan de les Abadesses, s/n
17500 RIPOLL (Girona) SPANIEN

Name und Anschrift der Person (EU-ansässig), die das technische Datenblatt ausgestellt hat:

Jordi Carbonell, Santiago López
Ctra. de Sant Joan de les Abadesses, s/n
17500 RIPOLL (Girona) SPANIEN

Produktname: **Schlagbohrmaschine**

Handelsname: **Schlagbohrmaschine**

Modell: **D113/650E**

Typ: Elektrowerkzeuge

Seriennummer: siehe Typenschild des Werkzeugs

Erfüllt alle zugehörigen Bestimmungen der Richtlinien 2006/95/EG, 2006/42/EG, 2004/108/EG, 2002/96/EG, 2002/95/EG, 2009/251/EG.

Wir erklären unter alleiniger Verantwortung, dass die in dieser Bedienungsanleitung beschriebenen Produkte der Marke **FELISATTI: D113/650E**, die folgenden Normen und Standards erfüllen: EN60745-1, EN60745-2-1, EN 55014-1, EN 55014-2, EN 61000-3-2, EN 61000-3-3.

Jordi Carbonell

Santiago López

We reserve the right to make technical changes 12/2012

TECHNISCHE DATEN

Schlagbohrmaschine		DI13/650E
Spannung	V~	230
Frequenz	Hz	50-60
Nennaufnahmeleistung	W	650
Leerlaufdrehzahl	min ⁻¹	0-2800
Schlagzahl	min ⁻¹	0-44800
Spindelgewinde		1/2"x20 UNF
Bohrleistung in Stahl	mm	13
Bohrleistung in Holz	mm	30
Bohrfutterspannbereich	mm	1.5-13
Gewicht entsprechend EPTA-Procedure 01/2003	kg	1.97

Die in diesem Handbuch enthaltenen Anweisungen und Sicherheitsvorschriften sind genau zu befolgen. Lesen Sie diese aufmerksam und zum Zwecke von möglichen Überprüfungen der Bauteile sollten sie stets mitgeführt werden.

Durch bestimmungsgemäße Verwendung und Beachtung der entsprechenden Wartungshinweise, kann die Lebensdauer der Maschine wesentlich verlängert werden.

Dieses Werkzeug ist nur für den in dieser Anleitung beschriebenen Gebrauch vorgesehen. Jeglicher andere Gebrauch der Maschine ist untersagt!

ABBILDUNGEN

- BESCHREIBUNG (Siehe entspr. Abbildungen)
- A Bohrfutterschlüssel (Abb. 2)
 - B Umschalter «Bohren/Schlagbohren» (Abb. 1)
 - C Schlüsselflächen der Bohrfutterachse (Abb. 1)
 - D Maschinenhals (Abb. 2)
 - E Netzkabel (Abb. 1)
 - F Stellrad Drehzahlvorwahl (Abb. 1)
 - G Gurthalteclip (Abb. 1)
 - H Zusatzgriff (Abb. 1)
 - I Drehrichtungsumschalter (Abb. 1)
 - J Ein-/Ausschalter (Abb. 1)
 - K Feststellaste für Ein-/Ausschalter (Abb. 1)
 - L Zahnkranzbohrfutter (Abb. 2)

MITGELIEFERTES MASCHINENZUBEHÖR

- Zusatzgriff
- Tiefenanschlag
- Bohrfutterschlüssel
- Bedienungsanleitung und Sicherheitshinweise
- Garantiekarte

KURZBESCHREIBUNG

Das Elektrowerkzeug ist bestimmt zum Schlagbohren in Ziegel, Beton und Gestein, sowie zum Bohren in Holz, Metall, Keramik und Kunststoff. Geräte mit elektronischer Regelung und Rechts-/Linkslauf sind auch geeignet zum Schrauben und Gewindeschneiden.

Zusätzliche Merkmale der Bohrmaschine:

- Mit dem Drehrichtungsumschalter I können Sie die Drehrichtung des Elektrowerkzeuges ändern. Bei gedrücktem Ein-/Ausschalter J ist dies jedoch nicht möglich.
- Elektronische Steuerung der Spindeldrehzahl, stufenlos am Ein-/Ausschalter J.
- Die bei der Schalter eingebaute Regelung erlaubt die

dem Arbeitsmaterial geeignete Geschwindigkeit zu regeln.
- Für Dauerschaltung kann der Ein-/Ausschalter am Arretierknopf K festgestellt werden.

VOR DER INBETRIEBNAHME DIESER MASCHINE

ACHTUNG! Prüfen Sie vor Beginn der Arbeiten z. B. mit einem Metalldetektor, ob sich unter den Oberflächen keine elektrischen Leitungen und Gas- oder Wasserleitungen befinden.

Vergewissern Sie sich, dass die Netzspannung korrekt ist: die auf dem Typenschild angegebene Spannung muss der Netzspannung entsprechen. Die Geräte mit 230 V können auch an eine Netzspannung mit 220 V angeschlossen werden.

Zum Einschalten der Maschine betätigen Sie den Ein-/Ausschalter J und halten Sie diesen gedrückt. Sobald dieser Schalter losgelassen wird, schaltet die Maschine ab.

ACHTUNG! Vor allen Arbeiten an der Maschine Stecker aus der Steckdose ziehen.

1. Werkzeugwechsel

ACHTUNG! Ziehen Sie vor allen Arbeiten am Elektrowerkzeug den Netzstecker aus der Steckdose.

ACHTUNG! Tragen Sie beim Werkzeugwechsel Schutzhandschuhe. Das Bohrfutter kann sich bei längeren Arbeitsvorgängen stark erwärmen.

Öffnen Sie das Zahnkranzbohrfutter L durch Drehen, bis das Werkzeug eingesetzt werden kann. Setzen Sie das Werkzeug ein. Stecken Sie den Bohrfutterschlüssel A in die entsprechenden Bohrungen des Zahnkranzbohrfutters L und spannen Sie das Werkzeug gleichmäßig fest.

2. Netzanschluss

ACHTUNG! Nur an Einphasen-Wechselstrom und nur an die auf dem Leistungsschild angegebene Netzspannung anschließen. Anschluss ist auch an Steckdosen ohne Erdungsschutzkontakt möglich, da das Gerät über eine Schutzisolierung Klasse II nach Europeanorm EN60745 verfügt. Die Funkentstörung entspricht der Europeanorm EN60745.

3. Gurthalteclip

Mit dem Gurthalteclip G können Sie das Elektrowerkzeug z. B. an einem Gurt einhängen. Sie haben dann beide Hände frei und das Elektrowerkzeug ist jederzeit griffbereit.

4. Zusatzgriff

ACHTUNG! Verwenden Sie Ihr Elektrowerkzeug nur mit dem Zusatzgriff H.

- Abschrauben des Zusatzhandgriffes H entgegen dem

Uhrzeigersinn.

- Zusatzhandgriff **H** um gewünschten Winkel verdrehen.
- Schrauben Sie den Zusatzhandgriff **H** wieder ein.

5. Einstellen des Tiefenanschlags

- Versichern Sie sich, dass der Bohrer im Bohrfutter eingespannt ist.
- Tiefenanschlag auf gleiche Länge wie eingespannter Bohrer verschieben, hierzu Bohrer gegen eine ebene Wand drücken.
- An Skala des Tiefenanschlags Wert in mm ablesen und von diesem Wert gewünschte Bohrtiefe abziehen.

INBETRIEBNAHME

1. Drehrichtung einstellen

Mit dem Drehrichtungsumschalter **I** können Sie die Drehrichtung des Elektrowerkzeuges ändern. Bei gedrücktem Ein-/Ausschalter **J** ist dies jedoch nicht möglich.

Rechtslauf: Zum Bohren und Eindrehen von Schrauben drücken Sie den Drehrichtungsumschalter **I** nach links bis zum Anschlag durch.

Linkslauf: Zum Lösen bzw. Herausdrehen von Schrauben und Muttern drücken Sie den Drehrichtungsumschalter **I** nach rechts bis zum Anschlag durch.

2. Ein-/Ausschalten

Drücken Sie zur Inbetriebnahme des Elektrowerkzeuges den Ein-/Ausschalter **J** und halten Sie ihn gedrückt. Zum Feststellen des gedrückten Ein-/Ausschalters **J** drücken Sie die Feststelltaste **K**. Um das Elektrowerkzeug auszuschalten lassen Sie den Ein-/Ausschalter **J** los bzw. wenn er mit der Feststelltaste **K** arretiert ist, drücken Sie den Ein-/Ausschalter **J** kurz und lassen ihn dann los.

3. Drehzahl einstellen

Sie können die Drehzahl des eingeschalteten Elektrowerkzeuges stufenlos regulieren, je nachdem, wie weit Sie den Ein-/Ausschalter **J** eindrücken. Leichter Druck auf den Ein-/Ausschalter **J** bewirkt eine niedrige Drehzahl. Mit zunehmenden Druck erhöht sich die Drehzahl.

4. Drehzahl vorwählen

Mit dem Stellrad Drehzahlvorwahl **F** können Sie die benötigte Drehzahl auch während des Betriebes vorwählen.

Die erforderliche Drehzahl ist vom Werkstoff und den Arbeitsbedingungen abhängig und kann durch praktischen Versuch ermittelt werden.

5. Betriebsart einstellen

Bohren und Schrauben
Stellen Sie den Umschalter **B** auf das Symbol «Bohren».

Schlagbohren

Stellen Sie den Umschalter **B** auf das Symbol «Schlagbohren».

FUNKTIONEN

1. Bohren

- Bohrer einsetzen.
- Maschine ausgeschaltet am Material ansetzen, Längsspiel überwinden, einschalten und mit leichtem Druck (z.B. 30N) arbeiten.

Anmerkung! Höherer Anpressdruck steigert nicht die Arbeitsleistung!

- Von Zeit zu Zeit den Bohrer aus der Bohrung ziehen um den Staub zu beseitigen.

2. Schrauben

LÄRM UND VIBRATIONEN

Das Werkzeug wurde für eine minimale Geräuschkonstruktion konstruiert und gebaut. Unter besonderen Bedingungen jedoch kann das maximale Geräuschniveau im Arbeitsbereich 85 dB(A) überschreiten. In diesem Fall muss sich der Benutzer durch einen Gehörschutz schützen.

Die Schall- und Vibrationsniveaus des Geräts bei einer Messung gemäß der Norm EN60745 liegen normalerweise bei:

Schalldruckpegel = 85.67 dB(A)

Schalleistungspegel = 96.67 dB(A)

Unsicherheit $K = 3$ dB(A)

Schwingungsgesamtwerte $a_{h1} = 9.2$ m/s²

Unsicherheit $K = 1.5$ m/s²

Tragen Sie einen Gehörschutz!

WARNHINWEIS! Der in dieser Anleitung angegebene Schwingungspegel ist gemäß den in der Norm EN60745 festgelegten Messverfahren bestimmt worden und kann zum Gerätevergleich verwendet werden. Die verschiedenen Anwendungen des Geräts haben unterschiedliche Schwingungspegel zur Folge, und in vielen Fällen können sie die in dieser Anleitung angegebenen Werte überschreiten. Die Schwingungsbelastung kann leicht unterschätzt werden, wenn das Elektrowerkzeug regelmäßig unter besonderen Bedingungen verwendet wird.

Anmerkung. Wenn eine genaue Bewertung der während eines bestimmten Arbeitszeitraums auftretenden Schwingungsbelastungen durchgeführt werden soll, sind auch die dazwischen liegenden Zeiträume zu berücksichtigen, in denen das Gerät ausgeschaltet oder in Betrieb ist, jedoch nicht tatsächlich verwendet wird. Dies kann eine weitaus geringere Schwingungsbelastung während des gesamten Arbeitszeitraums bedeuten.

ZUBEHÖR

Das Zubehör und die entsprechenden Bestellnummern finden Sie in unseren Katalogen.

WARTUNG UND PFLEGE

WARNHINWEIS! Ziehen Sie vor der Durchführung von Arbeiten an der Maschine immer zuerst den Netzstecker aus der Steckdose.

- Verzeichnet die Maschine einen Leistungsrückgang, so ist sie zum Technischen Kundendienst zu bringen.

- Prüfung des Werkzeugs: Der Einsatz von abgenutzten Werkzeugen verringert die Arbeitsleistung und kann zu Störungen am Motor führen. Daher sollten Werkzeuge, an denen Abrieb und Abnutzungserscheinungen festgestellt werden, sofort ausgetauscht werden. Täglich: Reinigung des Werkzeugträgers.

- Überprüfung der Montageschrauben: Überprüfen Sie in regelmäßigen Abständen, dass die Montage-schrauben fest angezogen sind, und ziehen Sie eine lose Schraube sofort wieder fest an. Dies könnte sonst eine ernsthafte Gefahr darstellen.

- Wartung des Motors: Achten Sie darauf, dass kein Öl oder Wasser in den Motor eindringen kann.

- Ersatz der Kohlebürsten: Wenden Sie sich zur Durchführung des Austauschs an eines der Kundendienstcenter.

- Reinigen Sie die Maschine nach der Arbeit mit trockener Druckluft.

- Die Belüftungsschlitze der Maschine müssen immer frei sein.

- Überprüfen Sie den korrekten Zustand des Netzkabels.

bels. Sollte dieses beschädigt oder abgenutzt sein, wenden Sie sich zur Durchführung des Austauschs an eines der Kundendienstcenter.

- Verwenden Sie nur Originalzubehör und Originalersatzteile von **FELISATTI**. Jene Teile, die in der Bedienungsanleitung nicht beschrieben sind, müssen in einem Kundendienstcenter von **FELISATTI** ersetzt werden (Siehe Blatt Garantie / Anschriften der Kundendienstcenter).

GARANTIE

Siehe allgemeine Garantiebedingungen, die dieser Betriebsanleitung als Anlage beigefügt werden.

ENTSORGUNG



Werfen Sie Elektrowerkzeuge nicht in den Hausmüll!

Gemäß Europäischer Richtlinie 2002/96/EG über Elektro- und Elektronik-Altgeräte und Umsetzung in nationales Recht müssen verbrauchte Elektrowerkzeuge getrennt gesammelt und einer umweltgerechten Wiederverwertung zugeführt werden.

ОБЩИЕ УКАЗАНИЯ ПО БЕЗОПАСНОСТИ



ВНИМАНИЕ! Прочтите все предупреждения и указания мер безопасности и все инструкции. Невыполнение предупреждений и инструкций может привести к поражению электрическим током, пожару и (или) серьезным повреждениям.

Сохраните все предупреждения и инструкции для того, чтобы можно было обращаться к ним в дальнейшем.

Термин «электрическая машина» используется для обозначения вашей машины с электрическим приводом, работающим от сети (снабженного шнуром), или машины с электрическим приводом, работающим от аккумуляторных батарей.

Бережное обращение с электроинструментом и соблюдение всех описанных ниже правил по уходу значительно продлят его срок эксплуатации.

Данный электроинструмент должен использоваться только по своему прямому назначению, предусмотренному настоящей инструкцией по эксплуатации.

Категорически запрещается любое другое применение электроинструмента.

1) БЕЗОПАСНОСТЬ РАБОЧЕГО МЕСТА

а) Содержите рабочее место в чистоте и обеспечьте его хорошее освещение. Если рабочее место загромождено или плохо освещено, это может привести к несчастным случаям.

б) Не следует эксплуатировать электрические машины во взрывоопасной среде (например, в присутствии воспламеняющихся жидкостей, газов или пыли). Машины с электрическим приводом являются источником искр, которые могут привести к возгоранию пыли или паров.

с) Не подпускайте детей и посторонних лиц к электрической машине в процессе её работы. Отвлечение внимания может привести к потере контроля.

2) ЭЛЕКТРИЧЕСКАЯ БЕЗОПАСНОСТЬ

а) Штепсельные вилки электрических машин должны подходить под розетки. Никогда не изменяйте конструкцию штепсельной вилки каким-либо образом. Не используйте каких-либо переходников для машин с заземляющим проводом. Использование оригинальных вилок и соответствующих розеток уменьшит риск поражения электрическим током

б) Не допускайте контакта тела с заземленными поверхностями, такими, как трубы, радиаторы, плиты и холодильники. Существует повышенный риск поражения электрическим током, если Ваше тело заземлено.

с) Не подвергайте электрическую машину воздействию дождя и не держите ее во влажных условиях. Вода, попадая в электрическую машину, увеличивает риск поражения электрическим током.

д) Обращайтесь аккуратно со шнуром. Никогда не используйте шнур для переноса, перетаскивания электрической машины и вытаскивания вилки из розетки. Исключите воздействие на электрическую машину тепла, масла, острых кромок или движущихся частей. Поврежденные или скрученные шнуры увеличивают риск поражения электрическим током.

е) При эксплуатации электрической машины на открытом воздухе пользуйтесь удлинителем, пригодным для использования на открытом воздухе. Применение удлинителя, предназначенного для использования на открытом воздухе, уменьшает риск

поражения электрическим током.

ф) Если нельзя избежать эксплуатации электрической машины во влажных условиях, используйте источник питания, снабженный устройством защитного отключения (УЗО). Использование УЗО уменьшает риск поражения электрическим током.

3) ЛИЧНАЯ БЕЗОПАСНОСТЬ

а) Будьте бдительны, следите за своими действиями и руководствуйтесь здравым смыслом при эксплуатации электрических машин. Не пользуйтесь электрическими машинами, если Вы устали, находитесь под действием наркотических средств, алкоголя или лекарственных препаратов. Кратковременная потеря концентрации внимания при эксплуатации электрических машин может привести к серьезным повреждениям.

б) Пользуйтесь индивидуальными защитными средствами. Всегда надевайте средства для защиты глаз. Защитные средства – такие, как маски, предохраняющие от пыли, обувь, предохраняющая от скольжения, каска или средства защиты ушей, используемые в соответствующих условиях – уменьшают опасность получения повреждений.

с) Не допускайте случайного включения машин. Обеспечьте, чтобы выключатель находился в положении «Отключено» перед подсоединением к сети и (или) к аккумуляторной батарее при подъеме и переносе машин. Если при переносе машины палец находится на выключателе или происходит подключение к сети машины, у которой выключатель находится в положении «Включено», это может привести к несчастному случаю.

д) Перед включением машины удалите все регулировочные или гаечные ключи. Ключ, оставленный вблизи вращающихся частей машины, может привести к травмированию оператора.

е) При работе не пытайтесь дотянуться до чего-либо, всегда сохраняйте устойчивое положение. Это позволит обеспечить лучший контроль над машиной в неожиданных ситуациях.

ф) Одевайтесь надлежащим образом. Не носите свободной одежды или ювелирных изделий. Не приближайте свои волосы, одежду и перчатки к движущимся частям машины. Свободная одежда, ювелирные изделия и длинные волосы могут попасть в движущиеся части.

г) Если предусмотрены средства для подсоединения к оборудованию для отсоса и сбора пыли, обеспечьте их надлежащее присоединение и эксплуатацию. Сбор пыли может уменьшить опасности, связанные с пылью.

4) ЭКСПЛУАТАЦИЯ И УХОД ЗА ЭЛЕКТРИЧЕСКОЙ МАШИНОЙ.

а) Не перегружайте электрическую машину. Используйте электрическую машину соответствующего назначения для выполнения необходимой Вам работы. Лучше и безопаснее выполнять электрической машиной ту работу, на которую она рассчитана.

б) Не используйте электрическую машину, если её выключатель неисправен (не включает или не выключает). Любая электрическая машина, которая не может управляться с помощью выключателя, представляет опасность и подлежит ремонту.

с) Отсоедините вилку от источника питания и (или) аккумуляторную батарею от электрической машины перед выполнением каких-либо регули-

ровок, технического обслуживания, замены принадлежности или помещением её на хранение. Подобные превентивные меры безопасности уменьшают риск случайного включения машин.

д) Храните неработающую машину в месте, недоступном для детей, и не разрешайте лицам, не знакомым с машиной или данной инструкцией, пользоваться машиной. Электрические машины представляют опасность в руках неквалифицированных пользователей.

е) Обеспечьте техническое обслуживание электрических машин. Проверьте машину на предмет правильности соединения и закрепления движущихся частей, полочки деталей и иных несоответствий, которые могут повлиять на работу машины. В случае неисправности отремонтируйте машину перед использованием. Часто несчастные случаи происходят из-за плохого обслуживания машины.

ф) Храните режущие инструменты в заточенном и чистом состоянии. Режущие инструменты, обслуживаемые надлежащим образом, реже заклинивают, ими легче управлять.

г) Используйте электрические машины, приспособления, инструменты и пр. в соответствии с данной инструкцией с учетом условий и характера выполняемой работы. Использование машины для выполнения операций, на которые она не рассчитана, может создать опасную ситуацию.

h) Перед началом работы машиной убедитесь, что параметры питающей электросети и рабочего инструмента, а также условия работы соответствуют требованиям настоящего паспорта.

и) Во время работы следите за исправным состоянием машины. В случае отказа, появления подозрительных запахов, характерных для горелой изоляции, сильного шума, стука, искр, следует немедленно выключить машину и обратиться в сервисный центр.

5) ОБСЛУЖИВАНИЕ

а) Ваша машина должна обслуживаться квалифицированным персоналом, использующим только оригинальные запасные части. Это обеспечит безопасность машины.

МЕРЫ БЕЗОПАСНОСТИ ПРИ РАБОТЕ МАШИНАМИ РУЧНЫМИ ЭЛЕКТРИЧЕСКИМИ СВЕРЛИЛЬНЫМИ

- При выполнении работ, при которых рабочий инструмент может задеть скрытую электропроводку или собственный сетевой кабель, держите электроинструмент за изолированные ручки. Контакт с находящейся под напряжением проводкой может заряжать металлические части электроинструмента и приводить к удару электрическим током.

- Применяйте соответствующие металлоискатели для нахождения скрытых систем электро-, газо- и водоснабжения или обращайтесь за справкой в местное предприятие коммунального снабжения. Контакт с электропроводкой может привести к пожару и поражению электротоком. Повреждение газопровода может привести к взрыву. Повреждение водопровода ведет к нанесению материального ущерба.

- При заклинивании рабочего инструмента немедленно выключайте электроинструмент. Будьте готовы к высоким реакционным моментам, которые ведут к обратному удару. Рабочий инструмент заедает:

- при перегрузке электроинструмента или
- при перекашивании обрабатываемой детали.

- Держите крепко электроинструмент в руках. При завинчивании и отвинчивании винтов/шрупов могут кратковременно возникать высокие обратные моменты.

- Крепление заготовки. Заготовка, установленная в зажимное приспособление или в тиски, удерживается более надежно, чем в Вашей руке.

- Держите Ваше рабочее место в чистоте. Смеси материалов особенно опасны. Пыль цветных металлов может воспламениться или взорваться.

- Выждите полную остановку электроинструмента и только после этого выпускайте его из рук. Рабочий инструмент может заесть, и это может привести к потере контроля над электроинструментом.

- Не работайте с электроинструментом с поврежденным шнуром питания. Не касайтесь поврежденного шнура, отсоедините вилку от штепсельной розетки, если шнур был поврежден во время работы. Поврежденный шнур повышает риск поражения электротоком.

- При работе с ударными сверлильными машинами необходимо использовать средства защиты органов слуха. Воздействие шума может привести к потере слуха.

- Следует использовать поставляемые с изделием дополнительные рукоятки. Потеря контроля над машиной может привести к травме.

Прочие сведения по технике безопасности

Убедитесь в том, что параметры сети электропитания соответствуют напряжению, указанному на паспортной табличке. Инструмент оснащен двухжильным сетевым шнуром с вилкой.

Извлекайте вилку из розетки перед выполнением любой регулировки или обслуживания.



Остаточные риски

Даже при использовании электроинструмента в соответствии со всеми инструкциями и правилами невозможно полностью устранить все факторы остаточного риска. В связи с особенностями конструкции электроинструмента могут возникнуть следующие опасности:

- Причинение вреда легким, если не использовать эффективную пылезащитную маску.
- Повреждение органов слуха, если не использовать эффективные средства защиты органов слуха.
- Вред здоровью в результате вибрации при использовании электроинструмента в течение длительного времени, в случае утраты должного контроля над ним или отсутствия надлежащего технического обслуживания.

ВНИМАНИЕ! Электроинструмент создает во время работы электромагнитное поле. При некоторых обстоятельствах это поле может оказывать негативное влияние на активные или пассивные медицинские имплантаты. Чтобы уменьшить риск причинения серьезного или смертельного вреда здоровью, людям с медицинскими имплантатами перед началом эксплуатации машины рекомендуется проконсультироваться с врачом и производителем медицинского имплантата.

ЗАЯВЛЕНИЕ О СООТВЕТСТВИИ

Руководство INTERSKOL Power Tools S.L.
(Испания, Ctra. de Sant Joan de les Abadesses s/n, 17500 Ripol (Girona), Spain) настоящим заявляет, что машины ручные электрические сверлильные **D113/650E**, выпускаемые INTERSKOL Power Tools S.L., соответствуют следующим стандартам:

ГОСТ Р МЭК 60745-1-2005, ГОСТ Р МЭК 60745-2-1-2006, ГОСТ 17770-86, ГОСТ 12.2.030-2000, ГОСТ Р 51318.14.1-2006, ГОСТ Р 51318.14.2-2006, ГОСТ Р 51317.3.2-2006, ГОСТ Р 51317.3.3-2008.

Сертификат соответствия № TC RU C-ES.ME77.B.00211 выдан 20.12.2012 на срок до 20.12.2017 органом по сертификации ООО «ЭЛМАШ», 141400 Московская область, г. Химки, ул. Ленинградская, 29.

Jordi Carbonell



Santiago López



Производитель оставляет за собой право вносить технические изменения 12/2012

ТЕХНИЧЕСКИЕ ХАРАКТЕРИСТИКИ

Машина ручная электрическая сверлильная ударная		D13/650E
Напряжение	B~	230
Частота тока	Гц	50-60
Потребляемая мощность, номинальная	Вт	650
Число оборотов холостого хода	мин ⁻¹	0-2800
Число ударов	мин ⁻¹	0-44800
Резьба рабочего вала		1/2"×20UNF
Диаметр сверления в стали	мм	13
Диаметр сверления в древесине	мм	30
Диапазон зажима патрона	мм	1.5-13
Вес согласно процедуре EPTA 01/2003	кг	1.97

	Прочитайте руководство по эксплуатации
	Класс защиты электроинструмента II; двойная изоляция
	Знак соответствия основным действующим стандартам безопасности согласно директивам ЕС
	Знак соответствия обязательным требованиям стандартов
	Пользуйтесь средствами защиты глаз, слуха и средствами звуковой защиты

КОМПЛЕКТ ПОСТАВКИ

- Рукоятка дополнительная
- Ограничитель глубины
- Ключ для сверлильного патрона
- Руководство по эксплуатации с Инструкцией по безопасности
- Гарантийный талон

КРАТКОЕ ОПИСАНИЕ

Настоящий электроинструмент предназначен для ударного сверления в кирпиче, бетоне и каменной породе, а также для сверления древесины, металлов, керамики и синтетических материалов. Электроинструменты с электронным регулированием и правым – левым направлениями вращения пригодны также для завинчивания винтов и нарезания резьбы.

Дополнительные функции дрели:

- Изменение направления вращения производится с помощью переключателя I. Вследствие использования механизма блокировки переключение рычага возможно только в том случае, если выключатель J не нажат.
- Электронное управление скоростью шпинделя с возможностью плавной регулировки в зависимости от давления, прилагаемого на выключатель J.
- Маховик регулировки числа оборотов, встроенный в выключатель J, позволяет установить необходимое максимальное число оборотов. Это можно сделать также и во время работы. Необходимое число оборотов зависит от типа материала и рабочих условий и может быть определено пробным сверлением.
- Для непрерывной работы выключатель J можно заблокировать во включенном положении с помощью кнопки K.

ПЕРЕД НАЧАЛОМ РАБОТЫ

ВНИМАНИЕ! Перед началом работ с помощью металлоискателя убедитесь в отсутствии электропроводок, водопроводных или газовых труб.

Перед началом работы убедитесь в том, что напряжение электросети соответствует рабочему напряжению электроинструмента: рабочее напряжение указано на табличке характеристик на корпусе электроинструмента. Если на табличке характеристик указано напряжение 230 В, то электроинструмент также можно включать в сеть под напряжением 220 В.

Чтобы включить электроинструмент, нужно нажать

Соблюдайте все правила эксплуатации, изложенные в этой инструкции. Храните инструкцию в надежном месте. Инструкция должна находиться под рукой для консультаций во время ухода за электроинструментом.

Бережное обращение с электроинструментом и соблюдение всех описанных ниже правил по уходу значительно продлят его срок эксплуатации.

Данный электроинструмент должен использоваться только по своему прямому назначению, предусмотренному настоящей инструкцией по эксплуатации. **Категорически запрещается любое другое применение электроинструмента.**

ВНЕШНИЙ ВИД

- A Ключ для сверлильного патрона (рис.2)
- B Переключатель «сверление/ударное сверление» (рис.1)
- C Лыски вала под ключ (рис.1)
- D Посадочный диаметр рукоятки (рис.2)
- E Шнур питания (рис.1)
- F Маховик регулировки числа оборотов (рис.1)
- G Крюк для пояса (рис.1)
- H Рукоятка дополнительная (рис.1)
- I Переключатель направления вращения (рис.1)
- J Выключатель (рис.1)
- K Кнопка фиксирования выключателя (рис.1)
- L Сверлильный патрон с зубчатым венцом (рис.2)

на выключатель **Ж**. Электроинструмент продолжает работать, пока оказывается давление на выключатель. При отпускании выключателя электроинструмент выключается.

ВНИМАНИЕ! Перед работой по техническому обслуживанию электроинструмента всегда отключайте питающую кабель от электросети.

1. Смена рабочего инструмента

ВНИМАНИЕ! До начала работ по обслуживанию и настройке электроинструмента отсоединяйте вилку шнура сети от штепсельной розетки.

ВНИМАНИЕ! При смене рабочего инструмента пользуйтесь защитными перчатками. При продолжительной работе патрон может сильно нагреться.

Раскройте патрон с зубчатым венцом **Л** вращением до раствора, который позволяет вставить инструмент. Вставьте инструмент. Вставьте ключ от патрона **А** в соответствующие отверстия патрона с зубчатым венцом **Л** и равномерно зажмите рабочий инструмент.

2. Подключение к сети

ВНИМАНИЕ! Электроинструмент следует подключать только к однофазной сети переменного тока, напряжения которой соответствует напряжению, указанному на табличке характеристик. Данный инструмент можно подключать к розеткам, не имеющим защитного заземления, поскольку он имеет защитное заземление класса II в соответствии со стандартом ГОСТ Р МЭК 60745.

3. Крюк для пояса

С помощью крюка **Г** Вы можете повесить электроинструмент, например, на пояс. При этом освобождаются обе руки и электроинструмент в любое время под рукой.

4. Рукоятка дополнительная

ВНИМАНИЕ! Работайте электроинструментом только с установленной дополнительной рукояткой.

- Отвинтите дополнительную рукоятку **Н** в направлении против часовой стрелки.
- Поверните вспомогательную рукоятку **Н** в требуемое положение.
- Дополнительную рукоятку **Н** снова привинтите на место.

5. Установка линейки глубины сверления

- Предварительно следует убедиться в том, что сверло вставлено.
- Приложите кончик сверла к рабочей поверхности. Измеритель глубины **Г** прижмите к рабочей поверхности, при этом глубина должна соответствовать длине сверла.
- По шкале измерителя глубины **Г** определите значение в миллиметрах, отнимите от него требуемую глубину сверления.

НАЧАЛО РАБОТЫ

1. Установка направления вращения

Выключателем направления вращения **И** можно изменять направление вращения электроинструмента. При нажатом выключателе **Ж** это невозможно.

Правое направление вращения: Для сверления и ввинчивания шурупов отжать переключатель направления вращения **И** налево до упора.

Левое направление вращения: Для выворачивания винтов/шурупов и отвинчивания гаек отжать переключатель направления вращения **И** направо до упора.

2. Включение/выключение

Для включения электроинструмента нажать на вы-

ключатель **Ж** и держать его в нажатом состоянии. Для фиксации выключателя **Ж** во включенном положении нажмите кнопку фиксации **К**. Для выключения электроинструмента отпустите выключатель **Ж** или, если он был зафиксирован кнопкой фиксации **К**, нажмите и отпустите выключатель **Ж**.

3. Плавная регулировка числа оборотов.

Вы можете плавно регулировать число оборотов включенного электроинструмента, изменяя для этого усилие нажатия на выключатель **Ж**.

При слабом нажатии на выключатель **Ж** электроинструмент работает с низким числом оборотов. С увеличением силы нажатия число оборотов увеличивается.

4. Предварительный выбор числа оборотов

С помощью маховика **Ф** Вы можете установить необходимое число оборотов также и во время работы. Необходимое число оборотов зависит от материала и рабочих условий и может быть определено пробным сверлением.

5. Установка режима работы

Сверление и завинчивание

Установите переключатель **В** на символ «сверление».

Ударное сверление

Установить переключатель **В** на символ «ударное сверление».

ФУНКЦИИ

1. Сверление.

- Возьмите дрель.
- Подведите дрель к материалу, не включая ее. Включите дрель, дайте шпинделю развить скорость, затем вводите сверло в материал. Работайте, прилагая слабое давление (например, 30Н).

Примечание. Приложение большего давления не приводит к повышению эффективности работы электроинструмента!

- Периодически выводите дрель из отверстия для отвода стружки, пыли.
- **2. Заворачивание винтов.**

ШУМ И ВИБРАЦИЯ

При разработке данного инструмента особое внимание уделялось снижению уровня шума. Несмотря на это, в некоторых случаях уровень шума на рабочем месте может достигать 85 дБА. В это ситуации оператор должен использовать средства звуковой защиты.

Уровень шума и вибрации инструмента соответствует нормативам и имеет следующие номинальные параметры:

Акустическое давление = 85.67 дБ

Акустическая мощность = 96.67 дБ

Неопределенность $K = 3$ дБ

Среднеквадратичное значение скорректированного виброускорения $a_w = 9.2 \text{ м/с}^2$

Неопределенность $K = 3 \text{ м/с}^2$

Пользуйтесь средствами звуковой защиты!

Указанный в настоящих инструкциях уровень вибрации измерен по методике измерения, прописанной в стандарте, и может быть использован для сравнения инструментов. Однако если электроинструмент будет использоваться для выполнения других работ с применением рабочих инструментов, не предусмотренных изготовителем, или техническое обслуживание не будет отвечать предписаниям, то уровень вибрации может быть иным. Это может значительно сократить нагрузку

от вибрации в расчете на полное рабочее время.

Примечание. Для точной оценки нагрузки от вибрации должны быть учтены также отрезки времени, в которые электроинструмент выключен или вращается, но действительно не выполняет работы. Это может значительно сократить нагрузку от вибрации в расчете на полное рабочее время.

АКСЕССУАРЫ

Аксессуары можно заказать по каталогу, указав их порядковый номер.

РЕМОНТ И ОБСЛУЖИВАНИЕ

Обслуживание.

ВНИМАНИЕ! Перед работой по уходу за электроинструментом всегда отключайте питающий кабель от электросети.

- **Проверка электроинструмента:** Использование изношенного инструмента снижает эффективность выполняемой работы и может привести к повреждению двигателя. При обнаружении любого износа необходимо заменить инструмент.

- **Осмотр винтов корпуса:** Регулярно проверяйте надежность крепления всех винтов. При обнаружении ослабленного винта немедленно затяните его. В противном случае Вы подвергаете себя риску получения травмы.

- **Уход за электродвигателем:** Необходимо особенно бережно относиться к электродвигателю, избегать попадания воды или масла в его обмотки.

- **Замена щеток:** Щетки автоматически отключаются при их износе. Замену щеток производить только в центрах технического обслуживания.

- После работы тщательно продувайте электроинструмент сильной струей сухого воздуха.

- Вентиляционные отверстия электроинструмента должны находиться всегда открытыми и чистыми.

- Перед использованием электроинструмента проверьте исправность кабеля. Если кабель поврежден, то его необходимо заменить.

ВНИМАНИЕ! В изделии используется шнур питания с креплением типа Y: его замену, если потребуется, в целях безопасности должен осуществить изготовитель или персонал уполномоченных ремонтных мастерских.

При хранении дрель не должна подвергаться воздействию влаги и химически активной в отношении материалов среды. Храните дрель в месте, недоступном для детей при положительной температуре окружающей среды, но не выше +40°C и относительной влажности воздуха не более 80%.

При транспортировке перевозите дрель в фирменной упаковке. Перед упаковкой снимите рабочий инструмент, сверните и зафиксируйте шнур.

Ремонт.

ВНИМАНИЕ! При ремонте дрели должны использоваться только оригинальные запасные части и аксессуары фирмы **FELISATTI**. Замена неисправных деталей, за исключением тех, которые описываются в этой инструкции, должна производиться только в центрах технического обслуживания **FELISATTI**. Там ответят на все Ваши вопросы по ремонту и обслуживанию Вашего продукта, а также по запчастям по телефону горячей линии. Адреса фирменных и авторизованных центров технического обслуживания указаны в гарантийном талоне, прилагаемом к руководству по эксплуатации.

Вы также можете узнать их по телефону горячей линии. Коллектив консультантов охотно поможет Вам в вопросах покупки, применения и настройки продуктов и принадлежностей.

ГАРАНТИЯ

Условия гарантии смотрите в гарантийном талоне, прилагаемом к этому руководству по эксплуатации.

УТИЛИЗАЦИЯ



Запрещается выбрасывать электроинструмент вместе с бытовыми отходами!

Электроинструмент, отслуживший свой срок и не подлежащий восстановлению, должен утилизироваться согласно нормам, действующим в стране эксплуатации.

В других обстоятельствах:

- не выбрасывайте электроинструмент вместе с бытовым мусором;
- рекомендуется обращаться в специализированные пункты вторичной переработки сырья.

Interskol Power Tools S.L.
Carretera de Sant Joan de les Abadesses s/n17500 RIPOLL, (Girona), SPAIN

Tel +34972700200

Fax +34972700554

e-mail: felisatti@interskol.es