

Operating manual
Coating thickness tester
Model: ZCT AUTO



Table of contents

1. Introduction	3
2. Configuration	3
3. Characteristics	3
4. Description of main product components	4
5. Display screen	5
6. Select measuring modes	6
7. Battery installation and inspection	6
8. Startup and check battery status	7
9. Function operating instructions	7
10. Notice for instrument use	11
11. Maintenance	14
12. CE Certification	14
13. Technical indicators	15
14. Warranty	16
15. Exceptions from responsibility	16

Appendix 1: Warranty card**Appendix 2:** Certificate of acceptance and sale

1. Introduction

This instrument is a microminiature admeasuring instrument. It can measure the thickness of non-magnetic coating on the basal body of magnetic conductor rapidly and precisely without destruction or the thickness of coating on the basal body of non-magnetic conductor . It can be applied widely in manufacturing industry, metal processing, chemical industry, commodity inspection and other inspection fields.

2. Configuration

Coating thickness tester ADA ZCT AUTO, standard sample, 9V battery, instruction manual, standard basal body.

3. Characteristics

- LCD can display measured values and measuring state intuitively.
- It can conduct zero-scale calibration and one point calibration, and correct the system error of measuring head by the method of basic calibration.
- There are two measuring modes: continuously measuring mode and single measuring mode.
- Low power indicator function
- Automatic shutdown function
- LCD backlight functionUNI-1
- The function of displaying maximum / minimum value
- Data hold function
- Data storage function

4. Description of main product components



Startup: press the trigger key till the instrument is started up.



Key: um/mil for unit switch; press it for long to turn on or off backlight. (Press UNIT key for about two seconds to turn on or off backlight.)

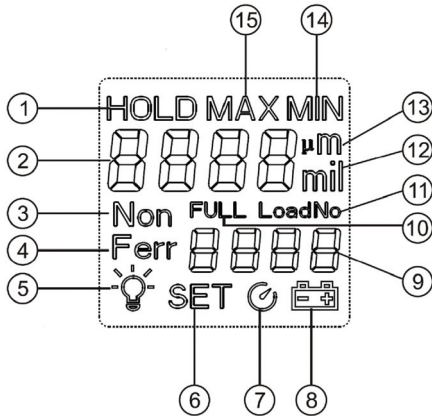


Key: to switch between the maximum and minimum value and calibrate.



Key: data reading and functional setting.

5. Display screen



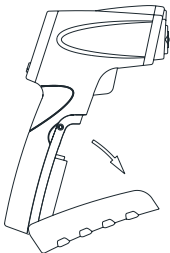
1. HOLD: numerical readings hold measuring prompt.
2. displaying area for measuring data value
3. Non Ferr: non-magnetic conductor prompt
4. Ferr: magnetic conductor prompt
5. backlight display sign
6. SET: setting sign
7. automatic shutdown function prompt
8. battery with low power prompt
9. displaying area for data record number
10. Full: a prompt for full record data
11. LoadNo: data number prompt
12. mil: unit prompt
13. um: unit prompt
14. MIX: maximum measuring value prompt
15. MAX: maximum measuring value prompt

6. Select measuring modes

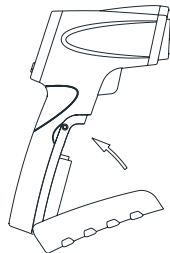
- 1) Prepare test pieces which are about to be tested.
- 2) Startup: press the trigger key till the instrument is started up.
- 3) Install battery and inspect.

7. Battery installation and inspection

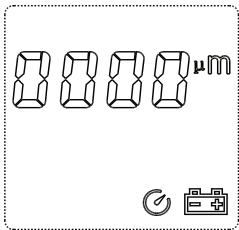
1) Clench the instrument body by your left hand. Press the battery gate with your right thumb and open the battery gate as the direction of arrow as shown below: (with illustration).



2) Put the 9V battery correctly into battery compartment with attention to battery polarity; then close the battery gate as shown below: (with illustration).



8. Startup and check battery status



Press the trigger key till the instrument is started up. It is as shown below: automatic shut-down function prompt will always be shown on display screen; at that time, press the key without release, LCD will keep whole display. After release, the instrument will start to work. The default state is normal measuring mode. At this time, if (8) symbol is displayed on the LCD screen, please replace the battery.

1) Whether there is need to calibrate instruments or not. If necessary, select appropriate calibration methods to proceed (refer to instrument calibration).

2) Measure

Make the measuring head contact the test surface vertically and press it gently. Each time when you press the trigger, the display screen will show a measured value.

3) Shut down

The instrument will shut down automatically after about 60 seconds without any operation.

9. Function operating instructions

It is recommended to calibrate the instrument before each measurement. That will allow you to make more accurate measurements.

1) Tester Calibration

Zero calibration: under measuring mode, touch the probe to zero reference metal substrate, then long press “MAX/MIN” KEY to automatically finish zero calibration. When LCD shows 0000 , press down “LoNo/MEEU” KEY to return to normal status.

Two point calibration: first perform zero calibration stated as above. When LCD displays 0000, place $1002\mu\text{m}\pm 1\%$ reference film on zero reference metal substrate, locate the probe and then press the trigger. The tester finishes its calibration if Ferr or Non-Ferr shows on LCD and returns to normal status.

2) Measuring mode (single measuring \leftrightarrow continuously measuring):

Single measuring mode: make the measuring head contact the test piece vertically which is about to be tested. Each time when you press the trigger, the display screen will show a measured value.

Continuously measuring mode: make the measuring head contact the test piece vertically which is about to be tested and press the trigger without release, then the display screen will show measured results continuously.

Measure the thickness of coating: after the instrument is started up, the default status is measuring state. At that time, the displaying area for measured data value on LCD screen will show “0000” and the unit symbol “ μm ”. Make the measuring head contact the test piece vertically which is about to be tested. Press the trigger to measure, then the LCD screen will record measured values. When the trigger is released, “HOLD” prompts and “Ferr” prompt will be shown simultaneously; or “non_Ferr” prompt will be shown with record number below (“Ferr” represents magnetic basal body such as iron; or “non_Ferr” represents non-magnetic basal body such as aluminum).

3) Conversion between meter and the British system

Press the “UNIT key” for a short time, LCD screen will display “mil” prompt, and then the LCD screen will display measured values of British system. Then press it for a short time again to return to micron measurement.

4) Maximum value / minimum value measurement:

Press the “MAX/MIN” key for a short time to enter maximum value measuring mode, at this time the LCD screen will display MAX prompt and display the measured maximum value results in data value displaying area. Press the “MAX/MIN” key once again for a short time to enter minimum value measuring mode, at this time the LCD screen will display MIN prompt and display the measured minimum value results in data value displaying area. Press the “MAX/MIN” key once again for a short time to enter normal measuring mode.

5) Backlight display:

Press “UNIT” key for a long time to enter LCD backlight display mode. At this time, the LCD screen will display (5) prompt, the entire LCD screen is lit. Press “UNIT” key for a long time once again to exit from backlight display. The LCD backlight display will automatically shut down if the instrument is not operated for 15 seconds.

6) Data storage:

After automatic storage is set in menu function settings, data for each time will be stored automatically. If the number of automatic recording exceeds the maximum recorded number of the instrument 2000 times, then the instrument will automatically exit from data storage.

7) Check record data:

Press the “MENU” key for a short time to enter checking record data mode. When no data is stored, the displaying area for data values on LCD screen will display “---”, the displaying area for data record number will display “---”. Meanwhile, “LoadNo” prompt will be displayed. For about 2 seconds, the instrument will automatically enter test function. When there is any data storage, the instrument will automatically display the last recorded data and recorded number. Meanwhile,

“LoadNo” prompt will be displayed. For about three seconds, “LoadNo” prompt blinks; then press the “▼” key to reduce checking record number and the corresponding stored data. If you press the “▼” key for long, then the checking record number and the corresponding stored data will be reduced automatically. Press the “▲” key to increase checking record number and the corresponding stored data. If you press the “▲” key for long, then the checking record number and the corresponding stored data will be increased automatically. If the maximum record number 2000 is exceeded, then the instrument will automatically return to the first record number and the corresponding stored value; press this key once again to exit from this mode.

8) Clear recorded data:

Method 1: Press the Trigger key without release before starting up the instrument, meanwhile press the “MENU” key to Startup, release the “MENU” key until the LCD screen displays CLR, records clearing will be completed for about 8 seconds. Note that the measuring head can not be got close to metal.

Method 2: By restoring factory settings (refer to menu function setting in details.)

9) Menu functions setting:

Press the Trigger key for a long time to enter menu functions setting. The default state is ASA1. ASA1 represents storing data automatically; at this time, press the “MAX” key, you can set it as ASA0. ASA0 represents that data can not be stored. Press it again to set it as ASA1; press the “MENU” key again to enter the next menu calibration mode. At this time, the LCD screen will display “CODE” (the users with factory setting need not care), then press the “MENU” key again to enter the next menu factory settings. At this time, the LCD displays DEF? (restore factory settings). Press the “UNIT” key to execute restoring factory settings APA1 and clearing all the recorded data, shutdown is completed. If press the “MENU” key again under factory settings mode, then enter measuring mode.

10. Notice for instrument use

The main factors which have impact on the measuring accuracy of the instrument: the metal magnetic property of basal body, the thickness of basal body, edge effect, curvature, surface roughness degree, external magnetic field, attached materials, the pressure of measuring head, the position of measuring head, deformation of test piece and so on.

1. THE FACTORS WHICH AFFECT MEASURING ACCURACY AND RELEVANT INSTRUCTIONS

1) The metal magnetic property of basal body

The thickness measurement by magnetic property method is affected by the change of metal magnetic property of basal body. (In practical applications, the change of magnetic property of low-carbon steel can be considered as minor). In order to avoid the effect of heat treatment and cold working factors, standard piece with the same property as the basal body metal of test piece should be used to calibrate instrument. The test piece which is about to be coated can also be used to calibrate instrument.

2) The thickness of basal body metal

Each instrument has a critical thickness of basal body metal. If the thickness of basal body metal is greater than the critical thickness, measurement will not be affected by the thickness of basal body metal. The critical thickness value of this instrument is 0.5mm.

3) Edge effect

The instrument is sensitive to the sudden change of surface shape of test piece. Therefore, it is not reliable to measure near the edge of test piece or the internal corner.

4) Curvature

The curvature of the test piece has impact on the measurement. This kind of impact will always increase significantly with the reduction of curvature radius.

5) Surface roughness degree

The surface roughness degree of basal body metal and coating has impact on measurement. As the roughness degree increases, so does the impact. The rough surface will cause system error and accidental error. For each measurement, the number of measurement should be increased on different locations in order to overcome such accidental errors. If the basal body metal is rough, it is a must to determine several positions on test piece of basal body metal which is uncoated with similar roughness degree to calibrate the zero point of the instrument. Or calibrate the zero point of the instrument after remove the coating with the solvent which is not corrosive on the basal body metal.

6) Magnetic field

The thickness measurement by magnetic property method will be seriously affected by the strong magnetic field produced by a variety of electrical equipments around.

7) Attached materials

The instrument is sensitive to those attached materials which hinder the close contact between measuring head and the surface of coating. Therefore, the attached materials must be got rid of to ensure that the instrument measuring head can come into direct contact with the surface of test piece.

8) The pressure of measuring head

The pressure which measuring head places on test piece will affect measurement readings. Therefore, the measuring head of this instrument maintains basically constant pressure by spring.

9) The position of measuring head

The position of measuring head has impact on measurement. The measuring head should be perpendicular with the surface of sample during the measurement.

10) Deformation of the test piece

Measuring head will make test piece with soft coating deformed, so unreliable data may be gained from these test pieces.

2. THE PROVISIONS WHICH SHALL BE COMPLIED WITH WHEN THE INSTRUMENT IS USED.

1) The properties of basal body metal

The magnetic property and surface roughness degree of the basal body metal of standard piece should be similar to those of the basal body metal of test piece.

2) The thickness of basal body metal

Check whether the thickness of basal body metal exceeds the critical thickness or not.

3) Edge effects

Measure should not be conducted in the place which is close to the abrupt change parts of test piece such as edge, hole and internal corner etc.

4) Curvature

Measure should not be conducted on the curved surface of test piece.

5) The number of readings

As the instrument's readings every time are not identical, so we have to take several readings within each measured area. The local differences of coating thickness also require multiple measurements within specified area. It should be so even more on rough surface.

6) Surface Cleanliness

Any attached materials such as dust, grease and corrosive substances etc. should be got rid of before measurement. However, any coating substances should not be removed.

11. Maintenance

- 1) Operational environment: thickness tester is a precise instrument, so collision, thump, moisture, forceful electric power, magnetic fields, grease contamination and dust should be strictly avoided.
- 2) Replace battery and provide maintenance
 - a. During the period when the instrument is working, when (8) symbol appears on the LCD screen, user should change batteries in time.
 - b. When this testing instrument is not used for long, please remove the batteries to prevent battery leakage. That would seriously damage the service life of the instrument.
- 3) Neither disassemble this instrument nor attempt to change its internal parts.
- 4) How to clean the instrument: alcohol and dilution are corrosive to the case especially the LCD window, so just wipe it gently with a little amount of clean water.

12. CE Certification

The thickness tester complies with the following criteria: EN61326-1 : 2006

13. Technical indicators

Measuring range	0 - 1000um, 0 - 40mils
Resolution	1um
Accuracy	0 - 55um + 3dgts, 55um - 1000um (3% +1dgts)
LCD display	3"
Power supply	9 V alkaline battery
Shutdown current	< = 1uA
Indicator of battery's electric quantity when battery voltage	< = 7.2V
The service life of battery it can be used	for 20 hours continuously
The shutdown time of LCD backlight it will shut down	after about 15 seconds without operation
Automatically shut down it will automatically shut down	after 75 seconds without operation
Operating temperature range	from 0 to 50 degrees Celsius
Storage temperature range	from -20 to 60 degrees Celsius
Operating humidity range	from 20% to 80% RH
Operational environment environment	without strong magnetic field
Dimension	170x92x40 mm
Weight	144g

Warranty

This product is warranted by the manufacturer to the original purchaser to be free from defects in material and workmanship under normal use for a period of two (2) years from the date of purchase.

During the warranty period, and upon proof of purchase, the product will be repaired or replaced (with the same or similar model at manufacturer's option), without charge for either parts of labour.

In case of a defect please contact the dealer where you originally purchased this product. The warranty will not apply to this product if it has been misused, abused or altered. Without limiting the foregoing, leakage of the battery, bending or dropping the unit are presumed to be defects resulting from misuse or abuse.

Exceptions from responsibility

The user of this product is expected to follow the instructions given in operators' manual.

Although all instruments left our warehouse in perfect condition and adjustment the user is expected to carry out periodic checks of the product's accuracy and general performance.

The manufacturer, or its representatives, assumes no responsibility of results of a faulty or intentional usage or misuse including any direct, indirect, consequential damage, and loss of profits.

The manufacturer, or its representatives, assumes no responsibility for consequential damage, and loss of profits by any disaster (earthquake, storm, flood ...), fire, accident, or an act of a third party and/or a usage in other than usual conditions.

The manufacturer, or its representatives, assumes no responsibility for any damage, and loss of profits due to a change of data, loss of data and interruption of business etc., caused by using the product or an unusable product.

The manufacturer, or its representatives, assumes no responsibility for any damage, and loss of profits caused by usage other than explained in the users' manual.

The manufacturer, or its representatives, assumes no responsibility for damage caused by wrong movement or action due to connecting with other products.

WARRANTY DOESN'T EXTEND TO FOLLOWING CASES:

1. If the standard or serial product number will be changed, erased, removed or will be unreadable.
2. Periodic maintenance, repair or changing parts as a result of their normal runout.
3. All adaptations and modifications with the purpose of improvement and expansion of normal sphere of product application, mentioned in the service instruction, without tentative written agreement of the expert provider.
4. Service by anyone other than an authorized service center.
5. Damage to products or parts caused by misuse, including, without limitation, misapplication or negligence of the terms of service instruction.
6. Power supply units, chargers, accessories, wearing parts.
7. Products, damaged from mishandling, faulty adjustment, maintenance with low-quality and non-standard materials, presence of any liquids and foreign objects inside the product.
8. Acts of God and/or actions of third persons.
9. In case of unwarranted repair till the end of warranty period because of damages during the operation of the product, its transportation and storing, warranty doesn't resume.

WARRANTY CARD

Name and model of the product _____

Serial number _____ date of sale _____

Name of commercial organization _____ stamp of commercial organization

Warranty period for the instrument exploitation is 24 months after the date of original retail purchase. It extends to the equipment, imported on the RF territory by official importer.

During this warranty period the owner of the product has the right for free repair of his instrument in case of manufacturing defects.

Warranty is valid only with original warranty card, fully and clear filled (stamp or mark of the seller is obligatory).

Technical examination of instruments for fault identification which is under the warranty, is made only in the authorized service center.

In no event shall manufacturer be liable before the client for direct or consequential damages, loss of profit or any other damage which occur in the result of the instrument outage.

The product is received in the state of operability, without any visible damages, in full completeness. It is tested in my presence. I have no complaints to the product quality. I am familiar with the conditions of warranty service and I agree.

purchaser signature _____

Before operating you should read service instruction!

If you have any questions about the warranty service and technical support contact seller of this product

Certificate of acceptance and sale

_____ **No** _____
name and model of the instrument

Corresponds to _____
designations of standard and technical requirements

Data of issue _____

Stamp of quality control department

Price

Sold _____ Date of sale _____
name of commercial establishment

**ADA
MEASUREMENT FOUNDATION**

WWW.ADAINSTRUMENTS.COM

Руководство по эксплуатации

Толщиномер покрытий

Модель: ZCT AUTO



Содержание

1. Описание	23
2. Комплектация	23
3. Функции	23
4. Кнопки управления	24
5. ЖК дисплей	25
6. Подготовка к измерениям	26
7. Установка батареи	26
8. Включение и проверка заряда батареи	27
9. Измерения и настройки	27
10. Уведомление для пользователя инструмента	31
11. Обслуживание	34
12. Сертификация	35
13. Технические характеристики	35
14. Гарантия	36
15. Освобождение от ответственности	36

Приложение 1: Гарантийный талон

Приложение 2: Свидетельство о приемке и продаже

1. Описание

Толщиномер ADA ZCT AUTO позволяет измерять толщину покрытий как на магнитных, так и на немагнитных металлических основаниях. Толщиномер может работать по принципу магнитной индукции или по принципу вихревого тока. При вихревом методе контроля генерируется внешнее электромагнитное поле, которое наводит вихревые токи в объекте контроля. Анализ взаимодействия внешнего и наведенного полей позволяет получить информацию о толщине. Принцип магнитной индукции основан на изменении магнитной индукции при измерении покрытия на стальной подложке. Прибор выбирает вид датчика автоматически. Он может широко применяться в промышленности, металлообработке, химической промышленности, товарной инспекции и для других измерений толщины покрытий.

2. Комплектация

Толщиномер ADA ZCT AUTO, батарейка 9V, чехол-сумка, стальной и алюминиевый образцы, эталонное покрытие 1002 μm (мкм, 10^{-3} мм), руководство по эксплуатации.

3. Функции

- Отображение на ЖК-дисплее измеренных значений и количества измерений
- Отображения максимального или минимального значения.
- Два измерительных режима: непрерывный и одиночный.
- Калибровка нуля и 2-х точечная калибровка.
- Удержание данных.
- Подсветка ЖК-дисплея.
- Индикация низкого заряда батареи.
- Автоматическое отключение.
- Хранения данных.

4. Кнопки управления



Включение: для включения прибора нажмите на кнопку измерения (курок).



Кнопка предназначена для выбора единиц измерения $\mu\text{m}/\text{mil}$. При длительном нажатии на эту кнопку включится (выключится) подсветка ЖК-дисплея (для включения/выключения подсветки жмите на кнопку более 2 секунд).

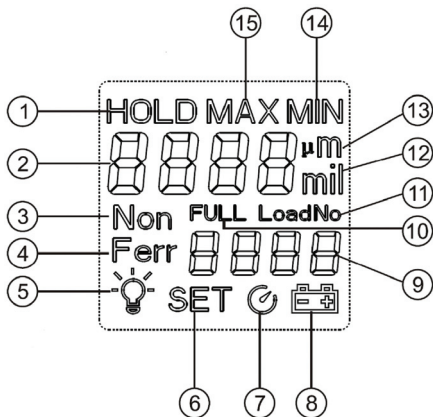


Кнопка предназначена для включения отображения максимального и минимального значения измерения и калибровки.



Кнопка предназначена для чтения сохраненных данных и выбора установок.

5. ЖК дисплей



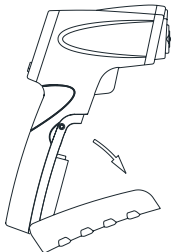
1. HOLD: удержание результата измерения в строке измерений
2. Отображения значения измерения толщины
3. Non Ferr: индикация работы датчика для немагнитных металлов
4. Ferr: индикация работы датчика для магнитных металлов
5. Подсветка дисплея включена
6. SET: знак настроек
7. Автоматическое отключение включено
8. Батарея питания разряжена
9. Порядковый номер измерения
10. FULL: память переполнена
11. LoadNo: результаты замеров не сохраняются
12. Измерение в mil
13. Измерение в μm (мкм, 10^{-3} мм)
14. MIN: отображается минимальное значение
15. MAX: отображается максимальное значение

6. Подготовка к измерениям

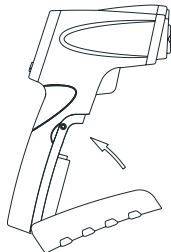
- 1) Приготовьте образцовые металлические пластины
- 2) Для включения прибора нажимайте на кнопку измерения (курок).
- 3) Вставьте батарею питания и проверьте включение

7. Установка батареек

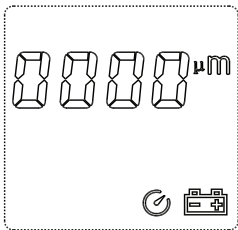
1) Возьмите прибор в левую руку. Большим пальцем правой руки подцепите крышку батарейного отсека и откройте в направлении как показано на рисунке.



2) Подключите к прибору 9V батарею соблюдая полярность и уложите ее в батарейный отсек. Закройте крышку батарейного отсека как показано на рисунке.



8. Включение и проверка заряда батареев



Для включения прибора нажимайте на кнопку измерения (курок). Если при включении нажать на кнопку измерения (курок) и не отпускать ее то на ЖК-дисплее будут отображаться все символы. Если отпустить кнопку измерения прибор будет готов к работе. Состояние по умолчанию-обычный режим измерения. Если на ЖК-дисплее отображается символ (8) замените батареи.

1) Определитесь есть ли необходимость калибровки, или нет. Если калибровка необходимо, выберите и произведите соответствующие методы калибровки для продолжения работы(см. калибровка прибора).

2) Порядок измерения

Установите измерительную головку вертикально к проверяемой поверхности, и мягко прижмите ее плотно к поверхности. Каждый раз, когда вы нажимаете на курок, на экране появится измеренное значение.

3) Выключение

Прибор автоматически выключится примерно после 60 секунд, без каких-либо действий.

9. Измерения и настройки

Рекомендуется проводить калибровку толщиномера перед каждым измерением. Это позволит вам проводить более точные измерения.

1) Калибровка прибора

Калибровка нуля: В режиме измерения, установите измерительную головку вертикально к поверхности

эталонного образца металла (образец должен соответствовать типу металла предполагаемого для измерений). После этого нажмите и удерживайте кнопку «MAX/MIN». Когда ЖК-дисплей показывает «0000» значит калибровка нуля автоматически закончилась. Нажмите на кнопку «LoNO/MENU», чтобы вернуться в режим измерений.

Двухточечная калибровка: во-первых выполните калибровку нуля как указано выше. Когда ЖК-дисплей отображает «0000», поместите поверх эталонного образца металла эталонное покрытие «1002um±1%». Установите измерительную головку вертикально к поверхности эталонного образца покрытия и нажмите на кнопку измерения (курок). Прибор завершит калибровку автоматически. При этом на экране будут отображаться «0000», символ «µm» и символ «Fert» или «Non Fert» в зависимости от типа металла (магнитный или немагнитный). Чтобы вернуться в режим измерений дважды нажмите на кнопку «LoNO/MENU».

2) Режим измерения (одного измерения \leq непрерывного измерения):

Одиночный режим измерения - установите измерительную головку вертикально к проверяемой поверхности, и мягко прижмите ее плотно к поверхности. Каждый раз, когда вы нажимаете на курок, на экране появится измеренное значение.

Непрерывный режим измерения - установите измерительную головку вертикально к проверяемой поверхности, и мягко прижмите ее плотно к поверхности. Нажимаете на курок и не отпускайте его. На экране будут отображаться результаты измерений постоянно.

Измерения толщины покрытия:

После того, как прибор будет запущен, прибор готов к работе с заводскими настройками и калибровкой. При этом в области отображения измеренных значений на ЖК-экран будут отображаться «0000» и символ «um». Установите измерительную головку вертикально к проверяемой поверхности. Нажмите на кнопку измерения, чтобы измерить

толщину покрытия. На ЖК-экране отобразится измеренное значение. Отпустите кнопку измерения и значение зафиксировано на ЖК-экране. Фиксация измеренного значения на ЖК-экране обозначается символом «HOLD». Символ «Ferr» означает: датчик работает по принципу магнитной индукции (используется для таких металлов как железо). Символ «NoFerr» означает: датчик работает по принципу вихревого тока (используется для таких металлов как алюминий).

3) Переключение между единицами измерения:

Нажмите кнопку «UNIT» на короткое время. На ЖК-экране появится символ «mil», а затем на дисплее вы увидите измеряемые значения из британской системы. Нажмите кнопку «UNIT» на короткое время снова чтобы вернуться к мкм измерения. На ЖК-экране появится символ «µm» (мкм, 10^{-3} мм).

4) Максимальное значение / минимальное значение измерения:

Нажмите кнопку “MAX/MIN” на короткое время, чтобы выбрать режим отображения максимального значения измерения. В это время на дисплее вы увидите символ «MAX», а в области отображения измеренных значений будет отображаться максимальное значение результатов. Нажмите кнопку “MAX/MIN” еще раз на короткое время, чтобы выбрать режим отображения минимального значения измерения. В это время на дисплее вы увидите символ «MIN», а в области отображения измеренных значений будет отображаться минимальное значение результатов измерений. Нажмите кнопку “MAX/MIN” еще раз на короткое время, чтобы выбрать нормальный режим измерения. При этом на дисплее символы «MIN» и «MAX» не отображаются.

5) Подсветка дисплея:

Нажмите и удерживайте более 2 секунд кнопку «UNIT», чтобы включить подсветку ЖК-дисплея. На дисплее вы увидите символ (5), весь ЖК-экран светится. Нажмите и удерживайте более 2 секунд кнопку «UNIT» еще раз для

выключения подсветки дисплея. Подсветка ЖК-дисплея дисплеев автоматически отключается, если прибор не используется в течение 15 секунд.

6) Сохранение данных:

Если в меню настройки выбран режим автоматического сохранения, результаты для каждого измерения сохраняются автоматически. Если количество автоматически записанных данных превысит 2000 результатов, то прибор автоматически перестанет сохранять результаты измерений. При этом на экране будет отображаться символ «FULL».

7) Просмотр сохраненных данных:

Нажмите кнопку «LoNO/MENU» на короткое время, чтобы войти в режим просмотра сохраненных результатов измерений. Если сохраненных результатов нет, то в области экрана, где отображается результат измерения, Вы увидите “---”, а в области отображения порядкового номера измерения будет отображаться”---”. При этом на экране отобразится символ «LoadNo». Через 2 секунды устройство автоматически перейдет в рабочий режим. Если сохраненные результаты измерений есть, то прибор будет автоматически отображать последние записанные данные и порядковый номер. При этом на экране отобразится символ «LoadNo». Примерно через 3 секунды символ «LoadNo» начнет мигать. Для просмотра сохраненных значений нажмите кнопку «▼», чтобы двигаться по порядку сохраненных данных вниз списка. Если нажать и удерживать кнопку «▼», то движение по списку вниз будет производиться автоматически. Нажмите кнопку «▲» чтобы двигаться по порядку сохраненных данных вверх списка. Если нажать и удерживать кнопку «▲», то движение по списку вверх будет производиться автоматически. Если порядковый номер сохраненных значений превысит число 2000, то прибор автоматически возвратится на первую запись. Нажмите кнопку «LoNO/MENU» на короткое время еще раз, чтобы выйти из режима просмотра сохраненных результатов измерений.

8) Сброс данных:

Метод 1: Нажмите и удерживайте кнопку «LoNO/MENU», а затем нажмите и отпустите кнопку измерения (курор). При этом на экране отобразится символ «CLR». Данные будут стерты в течении 8 секунд. Обратите внимание, что измерительная головка во время этой операции не должна быть близко к металлу.

Метод 2: восстановление заводских настроек (см. в «Меню настройка»)

9) Меню настройка:

Нажмите кнопку «LoNO/MENU» на продолжительное время, чтобы войти в меню настройки. Состояние по умолчанию- «ASA1». Режим «ASA1» означает, что прибор сохраняет данные автоматически. Нажав кнопку «MAX», Вы можете установить режим «ASA0». «ASA0» означает, что данные не будут сохраняться. Нажмите кнопку «LoNO/MENU» снова. В это время, на ЖК-экране появится надпись «CODE» (режим для регулировок на предприятии изготовителе), а затем нажмите клавишу «LoNO/MENU» еще раз, чтобы войти в следующий раздел меню. На этот раз, на экране отображается «DEF?» (восстановить заводские установки). Если нажать на клавишу «LoNO/MENU» еще раз прибор перейдет в режим измерения. Для восстановления заводских настроек и удаления всех записанных данных нажмите кнопку «UNIT». Отключение прибора означает завершение операции восстановления заводских настроек.

10. Обратите внимание! Уведомление для пользователя инструмента

Основными факторами, которые оказывают влияние на точность измерения прибора: металлические и магнитные характеристики металла, толщина металла, краевой эффект, кривизна и шероховатости поверхности, внешнее магнитное поле, материалы покрытия, плотность прижатия измерительной головки, положение измерительной головки, деформация поверхности и так далее.

1. ФАКТОРЫ, КОТОРЫЕ ВЛИЯЮТ НА ТОЧНОСТЬ ИЗМЕРЕНИЯ И СООТВЕТСТВУЮЩИЕ УКАЗАНИЯ.

1) Металлические и магнитные характеристики металла

Точность измерения толщины покрытия зависит от изменения магнитных свойств металла (в практике, изменения магнитных свойств низкоуглеродистой стали, могут рассматриваться как незначительные). Для того, чтобы избежать влияния тепловой обработки металлов на точность измерений, необходимо использовать для калибровки прибора образец того же металла что и измеряется.

2) Толщина металла

Каждый прибор имеет предел критической толщины измеряемого металла. Если толщина металла больше, чем в критическая толщина, то измерения не зависят от толщины металла. Критическое значение толщины металла для этого прибора - 0,5мм.

3) Краевой эффект

Прибор очень чувствителен к изменению формы поверхности. Поэтому, измерения выполненные на краю материала или на внутреннем изгибе не будут точными.

4) Кривизна поверхности

Кривизна металла влияет на точность измерения. Этот вид воздействия всегда будет существенно увеличиваются с увеличением радиуса кривизны.

5) Шероховатость поверхности

Шероховатость поверхности металла и покрытий влияет на точность измерения. Чем больше степень шероховатости, тем больше ее влияние. Шероховатая поверхность будет причиной системной и случайной ошибки. Количество измерений должно быть увеличено на разных местах в целях преодоления таких случайных ошибок. Если поверхность металла грубая, необходимо определить несколько позиций где можно удалить покрытие для калибровки нуля прибора.

6) Внешнее магнитное поле

Точность измерения толщины покрытия зависит от сильного внешнего магнитного поля, создаваемого различным электрооборудованием вокруг.

7) Плотность прижатия измерительной головки

Прибор очень чувствителен к плотности прижатия к измеряемому материалу. Важно, чтобы в промежутке между датчиком и поверхностью не было никаких включений которые препятствуют тесному контакту между измерительной головкой и поверхностью покрытия. Соответственно, поверхность измеряемого материала должна быть чистой, чтобы гарантировать прямой контакт измерительной головки поверхностью.

8) Давление измерительной головки

Давление, которое измерительная головка будет оказывать на место измерения будет влиять на точность. Поэтому, давление измерительной головки этого инструмента поддерживает, в основном, постоянное при помощи пружины.

9) Положение измерительной головки

Положение измерительной головки влияет на точность измерений. При измерениях головка должна находиться перпендикулярно к поверхности.

10) Деформация поверхности

При измерениях на легко деформируемых поверхностях результаты могут быть не точными.

2. УСЛОВИЯ, КОТОРЫЕ ДОЛЖНЫ СОБЛЮДАТЬСЯ, КОГДА ПРИБОР ИСПОЛЬЗУЕТСЯ.

1) Свойства металла

Магнитные свойства металла и шероховатость поверхности должна быть похожими на прилагаемые металлические образцы.

2) Толщина металла

Толщина измеряемого металла должна превышать критическую толщину (0.5 мм).

3) Краевой эффект

Измерения не должны проводиться в тех местах измеряемой поверхности, которые находятся рядом с краями, таких как край плоскости детали, отверстие и т. д.

4) Кривизна

Измерения не должны проводиться на изогнутой поверхности.

5) Число измерений

Так как измерения каждый раз, не являются идентичными, поэтому нужно производить несколько измерений в каждой области. Различия толщины покрытий, также требуют многократных измерений в пределах указанной области. Для неровной поверхности количество измерений должно быть увеличено.

6) Чистота поверхности

Пыль, грязь, коррозионные вещества и т. д. должны быть удалены с поверхности до измерения. При этом не повредите покрытие металла.

11. Обслуживание

1) Прибор относится к точным инструментам, поэтому следует строго избегать падения с высоты, ударов, повышенной влажности, сильных электрических, магнитных полей, жира, загрязнений и пыли.

2) Заменить батареи и обеспечить обслуживание

a. Если при работе прибора на экране отображается символ (8) необходимо заменить батарею питания.

b. Если прибор не используется в течение длительного времени, то удалите батарейку для предотвращения утечки электролита. Не выполнения требования этого пункта может серьезно повредить прибор.

3) При загрязнении ЖК-дисплея просто протрите его мягкой салфеткой, с небольшим количеством чистой воды.

12. Сертификация

Прибор соответствует следующим критериям: EN61326-1 : 2006

13. Технические характеристики

Диапазон измерения	от 0 до 1000µm (мкм, 10 ⁻³ мм), от 0 до 40mils
Разрешение	1µm (мкм, 10 ⁻³ мм)
Точность	от 0 до 55µm (мкм, 10 ⁻³ мм) + 3ед., от 55µm к 1000µm (мкм, 10 ⁻³ мм) (3% +1ед.)
Размер ЖК-дисплея	3"
Питание	9 V щелочные батареи
Отключение питания	при ≤ 1µA (мкА)
Индикатор разряженной батареи	при ≤ 7.2V
Срок службы батареи	20 часов непрерывно
Автоматическое отключение подсветки	через 15 секунд бездействия прибора
Автоматическое отключение прибора	через 75 секунд бездействия прибора
Диапазон рабочих температур	от 0° до 50°C
Диапазон температур хранения	от -20° до 60°C
Влажность при эксплуатации	от 20 до 80% отн. влажности
Операционная среда	среды без сильного магнитного поля
Размеры	170x92x40 мм
Вес	144г

Гарантия

Производитель предоставляет гарантию на продукцию покупателю в случае дефектов материала или качества его изготовления во время использования оборудования с соблюдением инструкции пользователя на срок до 1 года со дня покупки. Во время гарантийного срока, при предъявлении доказательства покупки, прибор будет починен или заменен на такую же или аналогичную модель бесплатно. Гарантийные обязательства также распространяются и на запасные части.

В случае дефекта, пожалуйста, свяжитесь с дилером, у которого вы приобрели прибор. Гарантия не распространяется на продукт, если повреждения возникли в результате деформации, неправильного использования или ненадлежащего обращения.

Все вышеизложенные безо всяких ограничений причины, а также утечка батареи, деформация прибора являются дефектами, которые возникли в результате неправильного использования или плохого обращения.

Освобождение от ответственности

Пользователю данного продукта необходимо следовать инструкциям, которые приведены в руководстве по эксплуатации. Даже, несмотря на то, что все приборы проверены производителем, пользователь должен проверять точность прибора и его работу.

Производитель или его представители не несут ответственности за прямые или косвенные убытки, упущенную выгоду или иной ущерб, возникший в результате неправильного обращения с прибором.

Производитель или его представители не несут ответственности за косвенные убытки, упущенную выгоду, возникшие в результате катастроф (землетрясение, шторм, наводнение и т.д.), пожара, несчастных случаев, действия третьих лиц и/или использование прибора в необычных условиях.

Производитель или его представители не несут ответственности за косвенные убытки, упущенную выгоду, возникшие в результате изменения данных, потери данных и временной приостановки бизнеса и т.д., вызванных применением прибора.

Производитель или его представители не несут ответственности за косвенные убытки, упущенную выгоду, возникшие в результате использования прибора не по инструкции.

ГАРАНТИЙНЫЕ ОБЯЗАТЕЛЬСТВА НЕ РАСПРОСТРАНЯЮТСЯ НА СЛЕДУЮЩИЕ СЛУЧАИ:

1. Если будет изменен, стерт, удален или будет неразборчив типовой или серийный номер на изделии;
2. Периодическое обслуживание и ремонт или замену запчастей в связи с их нормальным износом;
3. Любые адаптации и изменения с целью усовершенствования и расширения обычной сферы применения изделия, указанной в инструкции по эксплуатации, без предварительного письменного соглашения специалиста поставщика;
4. Ремонт, произведенный не уполномоченным на то сервисным центром;
5. Ущерб в результате неправильной эксплуатации, включая, но не ограничиваясь этим, следующее: использование изделия не по назначению или не в соответствии с инструкцией по эксплуатации на прибор;
6. На элементы питания, зарядные устройства, комплектующие, быстроизнашивающиеся и запасные части;
7. Изделия, поврежденные в результате небрежного отношения, неправильной регулировки, ненадлежащего технического обслуживания с применением некачественных и нестандартных расходных материалов, попадания жидкостей и посторонних предметов внутрь.
8. Воздействие факторов непреодолимой силы и/или действие третьих лиц;
9. В случае негарантийного ремонта прибора до окончания гарантийного срока, произошедшего по причине полученных повреждений в ходе эксплуатации, транспортировки или хранения, и не возобновляется.

ГАРАНТИЙНЫЙ ТАЛОН

Наименование изделия и модель _____

Серийный номер _____ Дата продажи _____

Наименование торговой организации _____ Штамп торговой организации мп.

Гарантийный срок эксплуатации приборов составляет 24 месяца со дня продажи и распространяется на оборудование, ввезенное на территорию РФ официальным импортером.

В течении гарантийного срока владелец имеет право на бесплатный ремонт изделия по неисправностям, являющимся следствием производственных дефектов.

Гарантийные обязательства действительны только по предъявлении оригинального талона, заполненного полностью и четко (наличие печати и штампа с наименованием и формой собственности продавца обязательно).

Техническое освидетельствование приборов (дефектация) на предмет установления гарантийного случая производится только в авторизованной мастерской.

Производитель не несет ответственности перед клиентом за прямые или косвенные убытки, упущенную выгоду или иной ущерб, возникшие в результате выхода из строя приобретенного оборудования.

Правовой основой настоящих гарантийных обязательств является действующее законодательство, в частности, Федеральный закон РФ “О защите прав потребителя” и Гражданский кодекс РФ ч.II ст. 454-491.

Товар получен в исправном состоянии, без видимых повреждений, в полной комплектности, проверен в моем присутствии, претензий по качеству товара не имею. С условиями гарантийного обслуживания ознакомлен и согласен.

Подпись получателя _____

Перед началом эксплуатации внимательно ознакомьтесь с инструкцией по эксплуатации!

СВИДЕТЕЛЬСТВО О ПРИЕМКЕ И ПРОДАЖЕ

№ _____

НАИМЕНОВАНИЕ И ТИП ПРИБОРА

Соответствует _____

_____ обозначение стандарта и технических условий

Дата выпуска _____

Штамп ОТК (клеймо приемщика)

Цена

Продан(а) _____

Дата продажи _____

**ADA
MEASUREMENT FOUNDATION**

WWW.ADAINSTRUMENTS.COM